

DW 48019



Marcel-Bloch M.B.152

1/48 SCALE MODEL CONSTRUCTION KIT

Ready to assemble scale models kit.

Contains part for one model.

Model length: 189 mm

Wingspan: 219 mm

Plastic parts: 113

Photoetched parts: 15

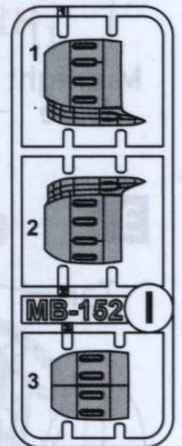
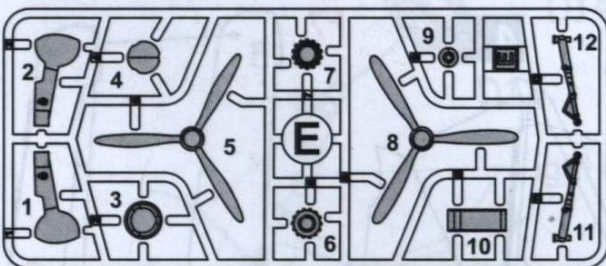
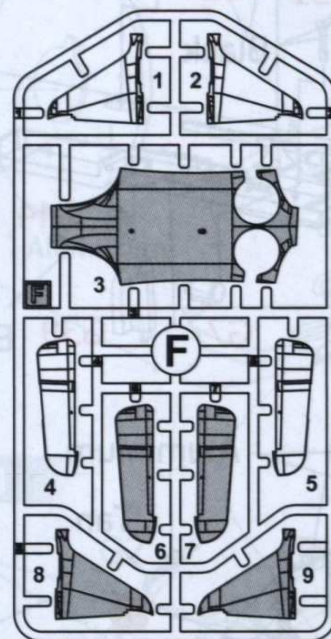
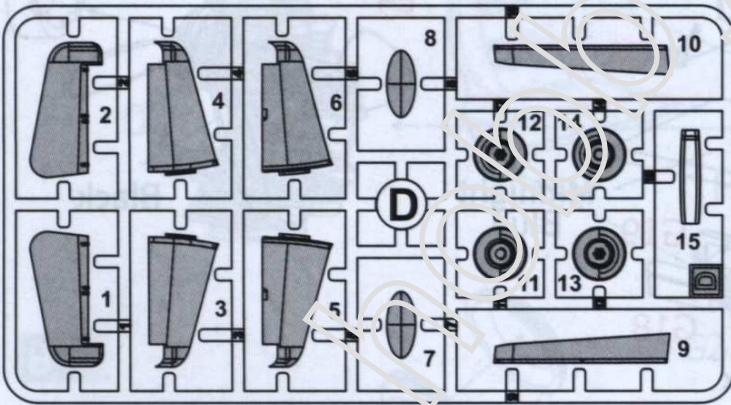
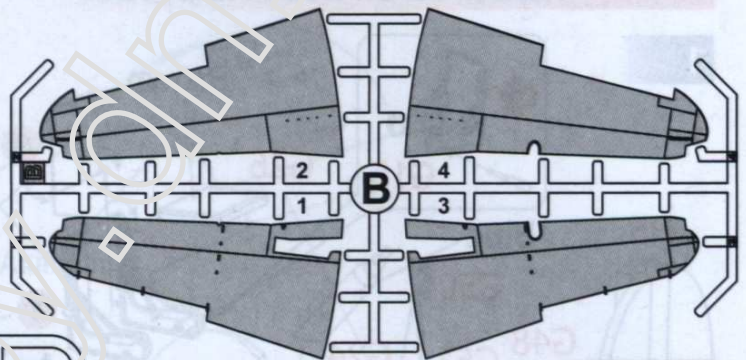
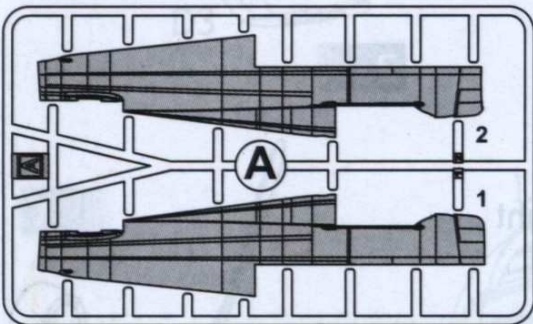


The MB.152 was "the first true aircraft" of the series (MB.150-157). This model was equipped with a more powerful 1,030 hp Gnome-Rhône 14N-21 engine, capable of a speed of 520 km/h and equipped with a revised armament arrangement. On 15 December 1938, the MB.152.01 prototype performed its maiden flight. During January 1939, it was refitted with a more production-representative 1,000 hp Gnome-Rhône 14N-25 engine; various alternative engine cowlings and propellers were also tested to address engine overheating. To prevent further delays to the production aircraft, a large cowling was adopted, which increased drag and reduced the MB.152's flight performance. 482 units built.

PARTS OF THE MODEL

In memory of our friend Joël Ducasse - 1957-2019

The model was created according to the original drawings developed by Joel Ducasse in collaboration with Billault Sosthene Waroff



USED SYMBOLS



CEMENT



DON'T CEMENT



REMOVE



SYMMETRICAL



MULTIPLE



BEND



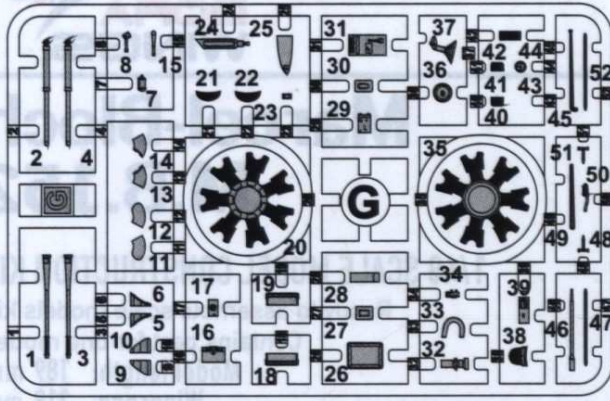
OPEN WHOLE



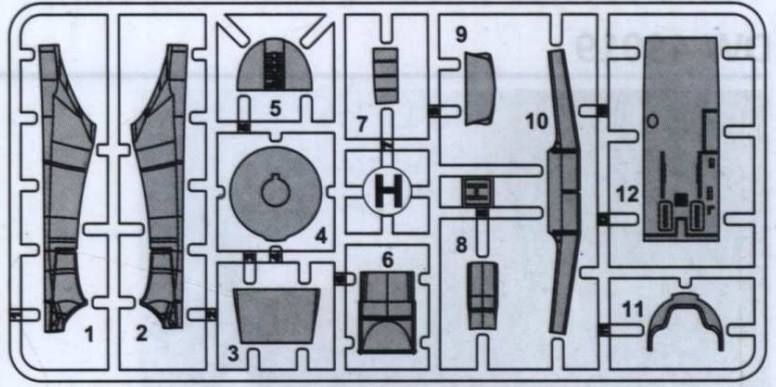
VARIANTS



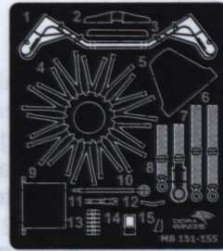
TO PAINT



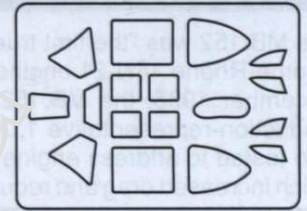
Decal



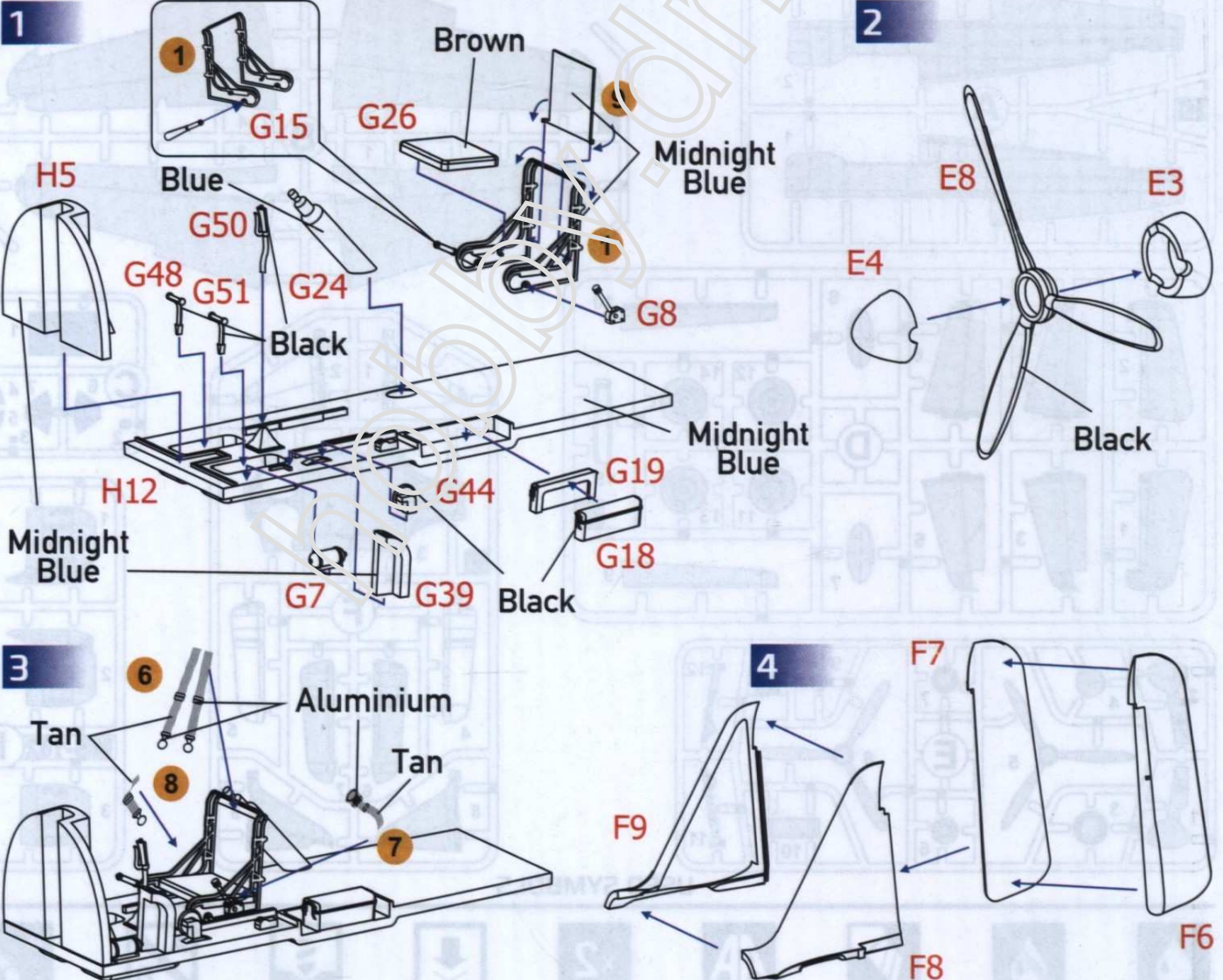
PE



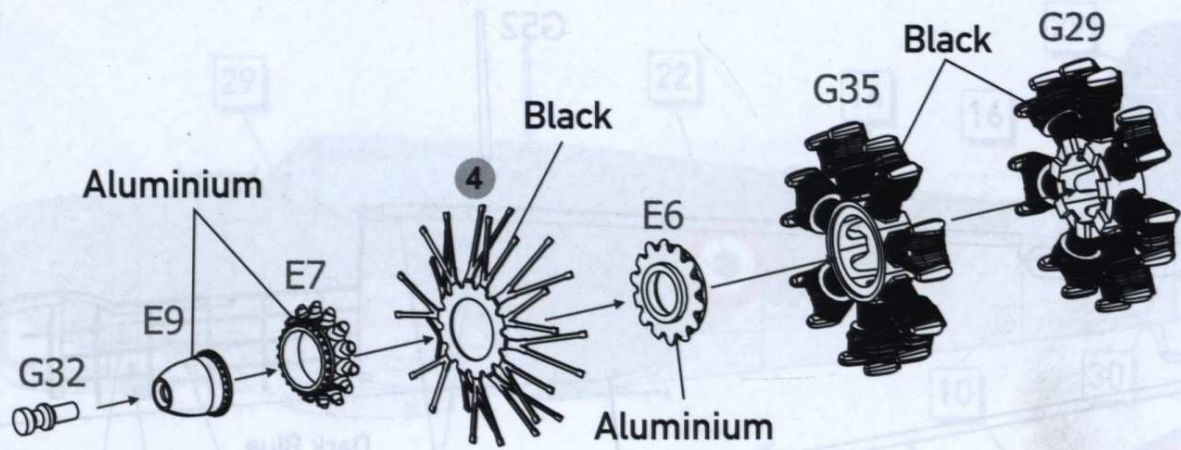
Mask



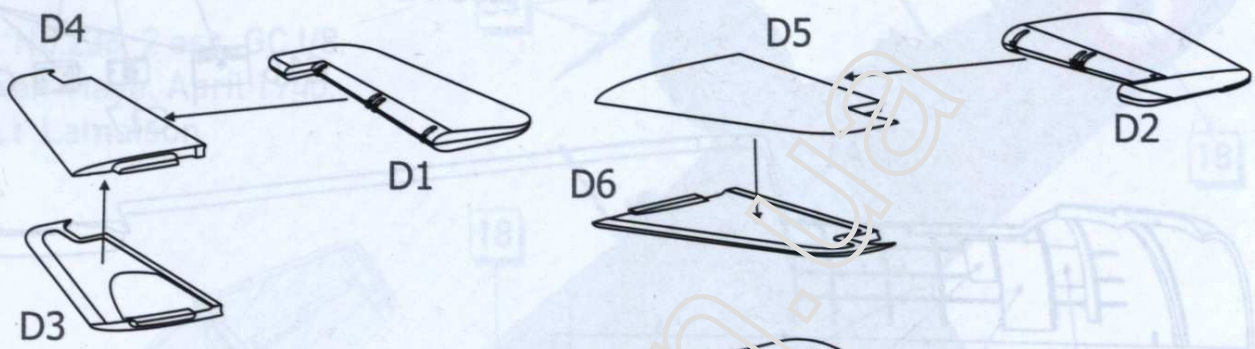
ASSEMBLY INSTRUCTION



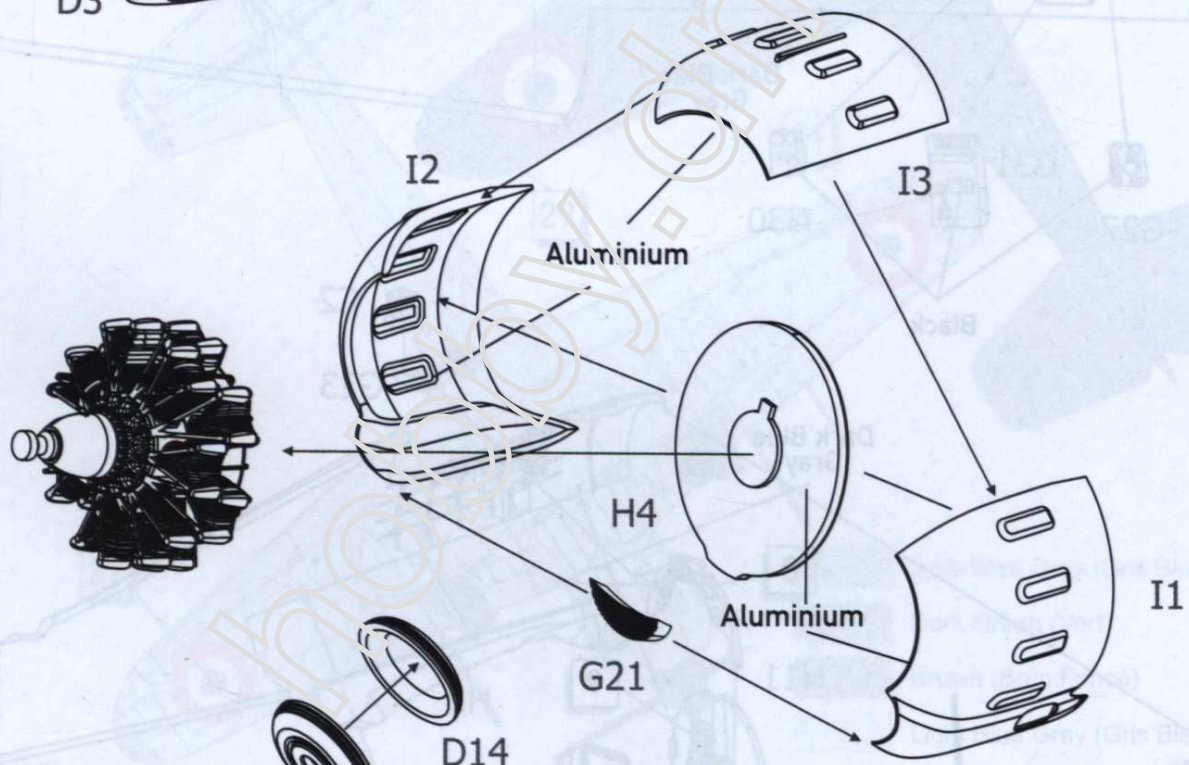
5



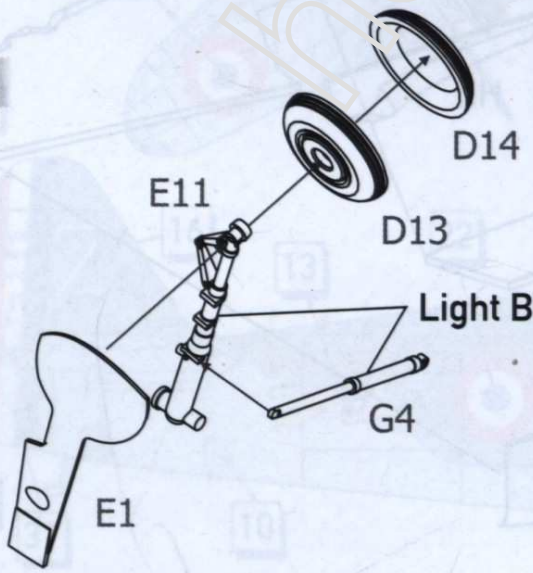
6



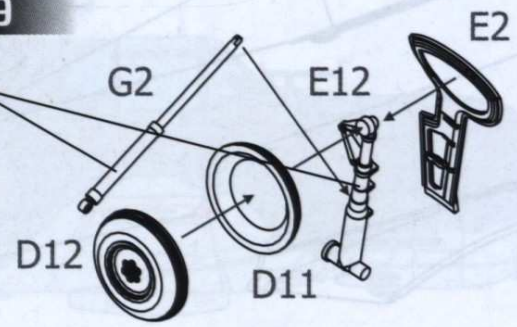
7



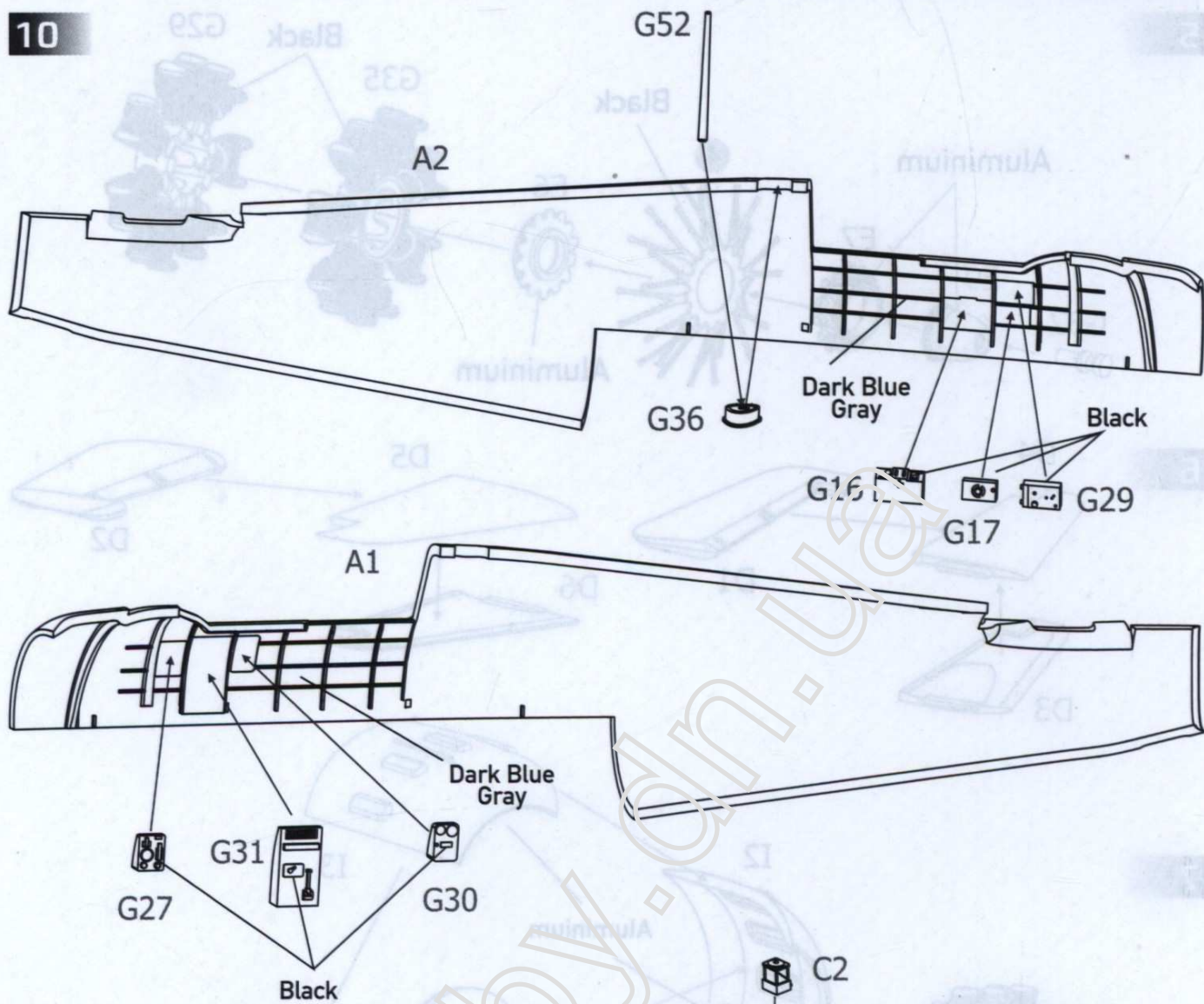
8



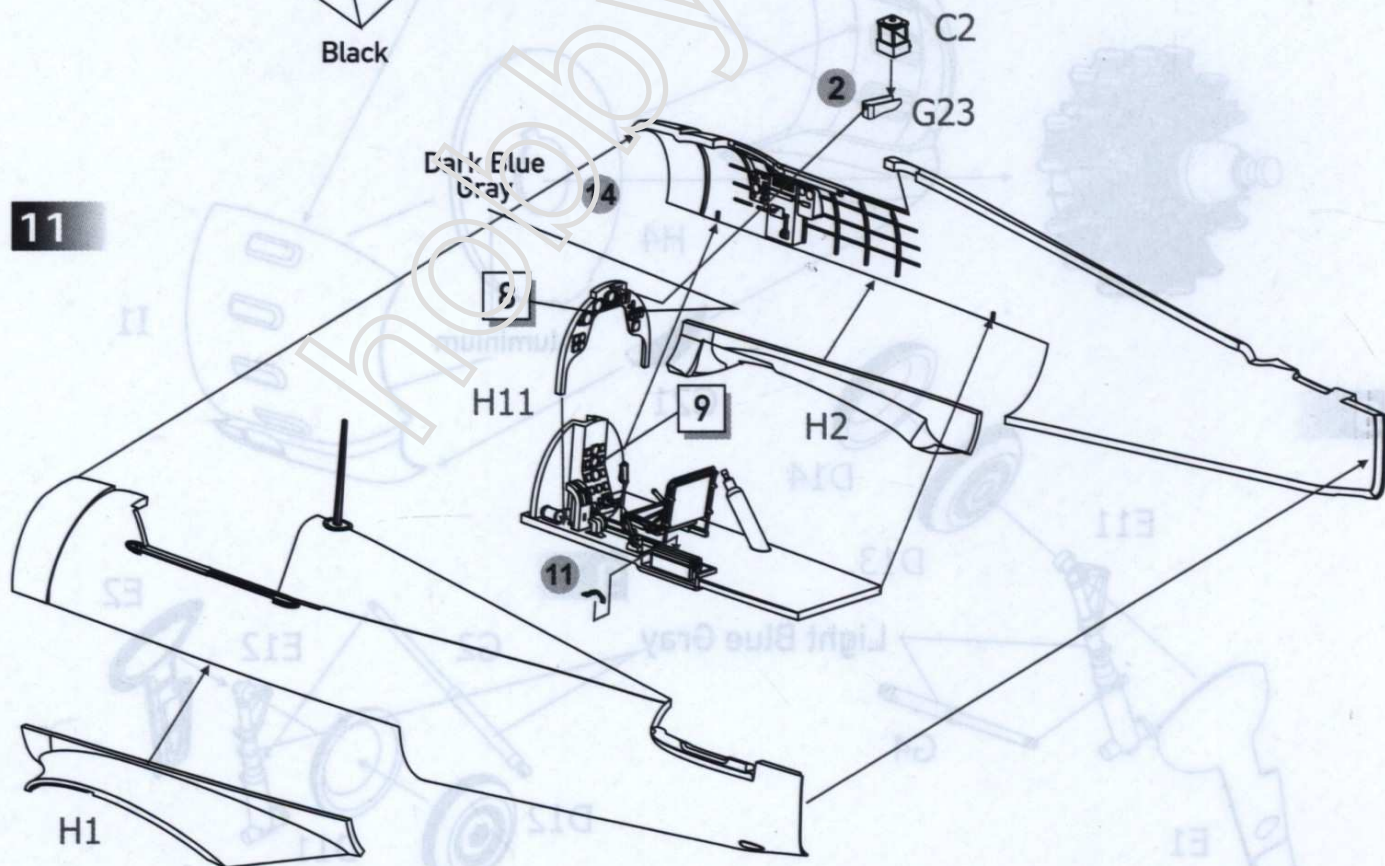
9

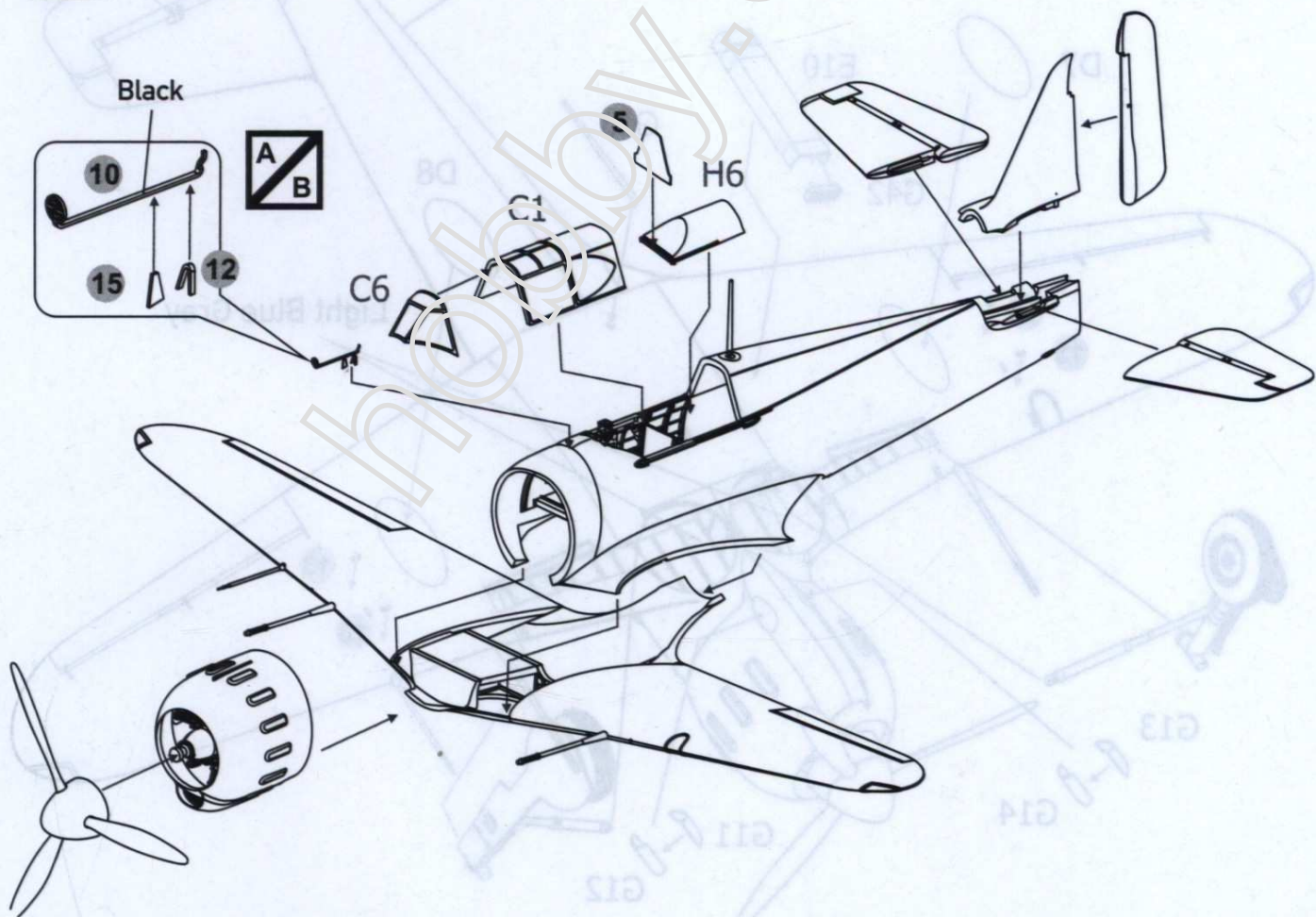
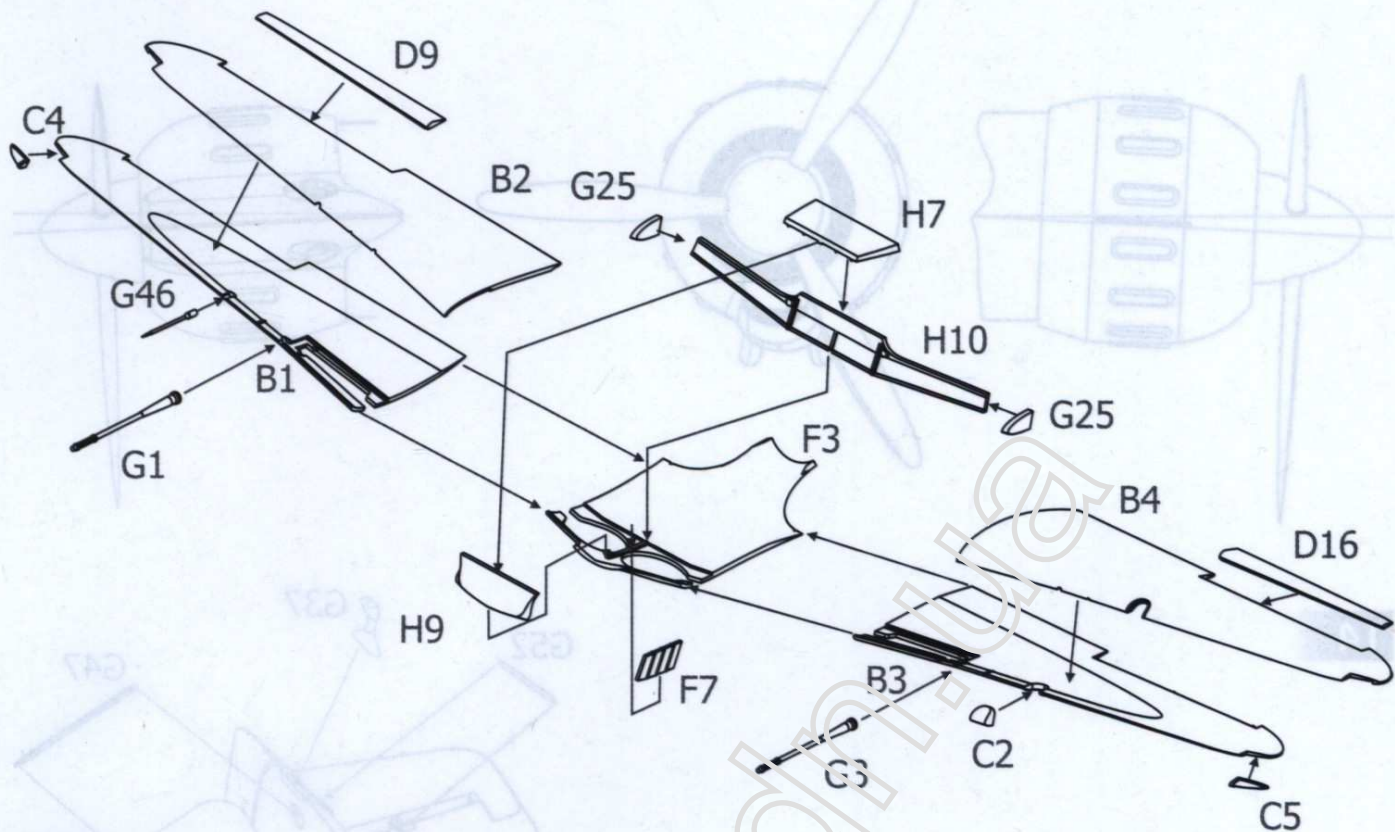


10

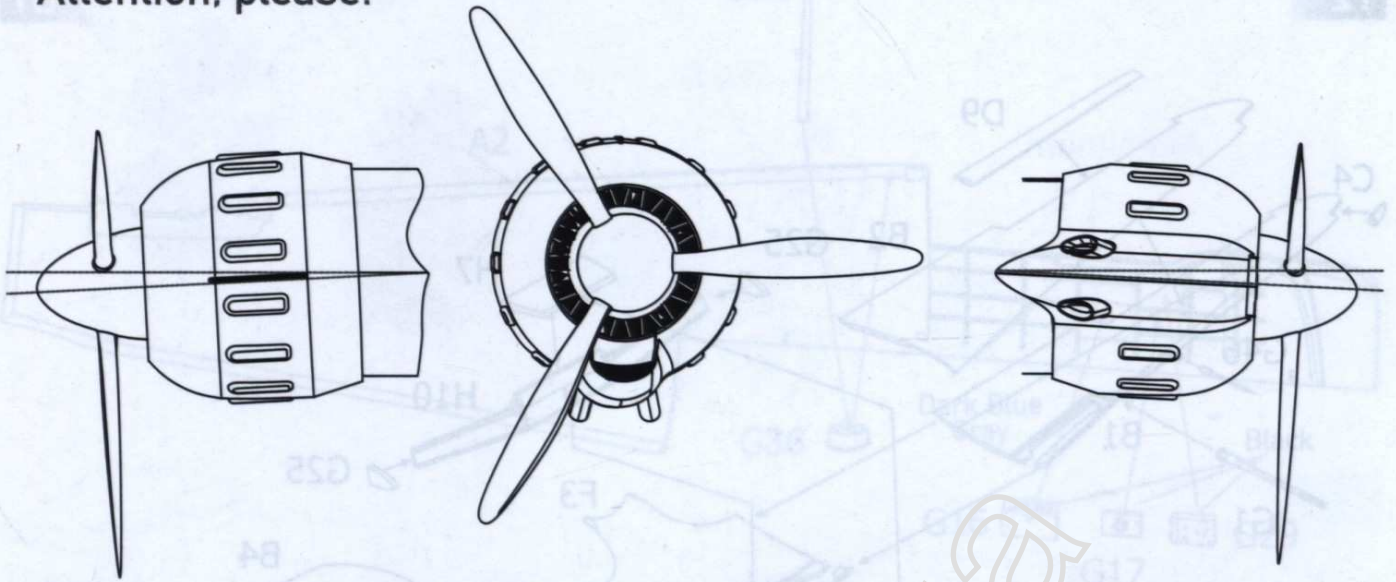


11

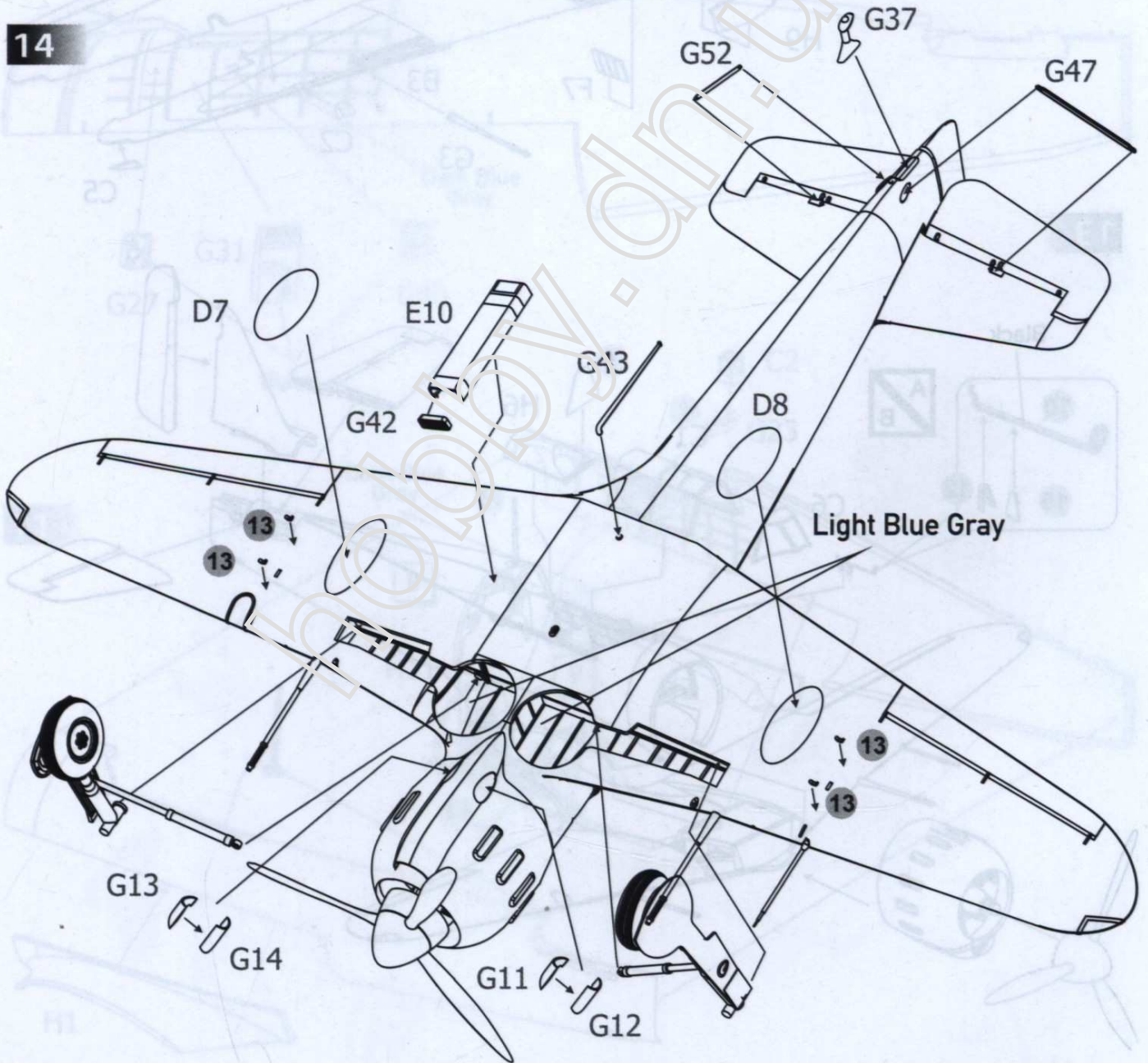


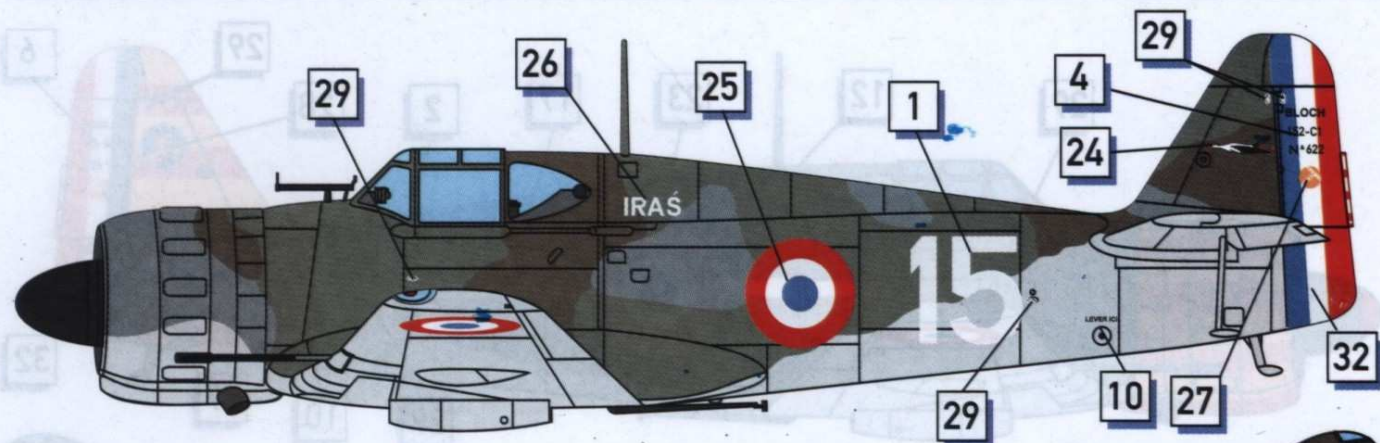


Attention, please!

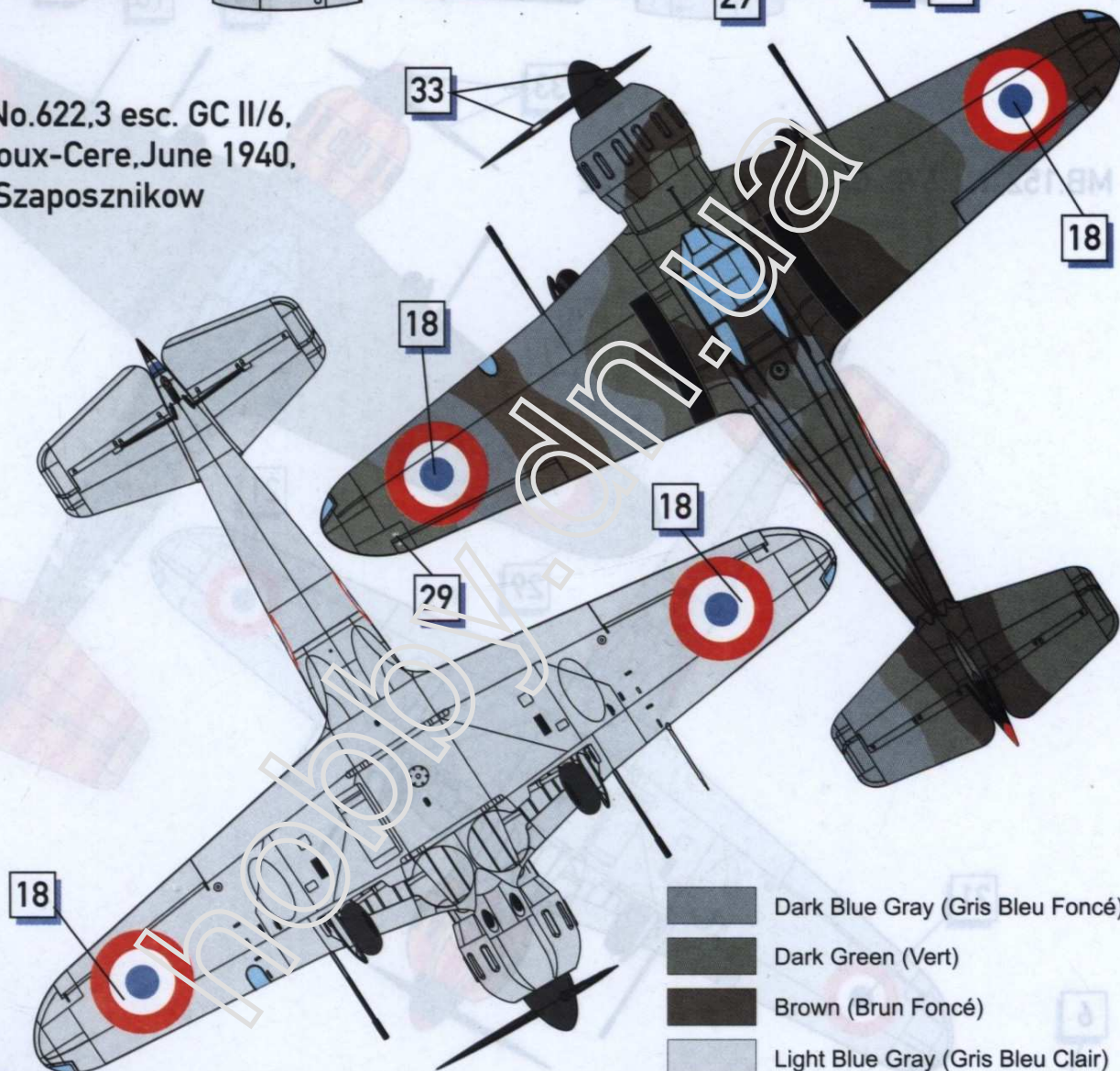


14

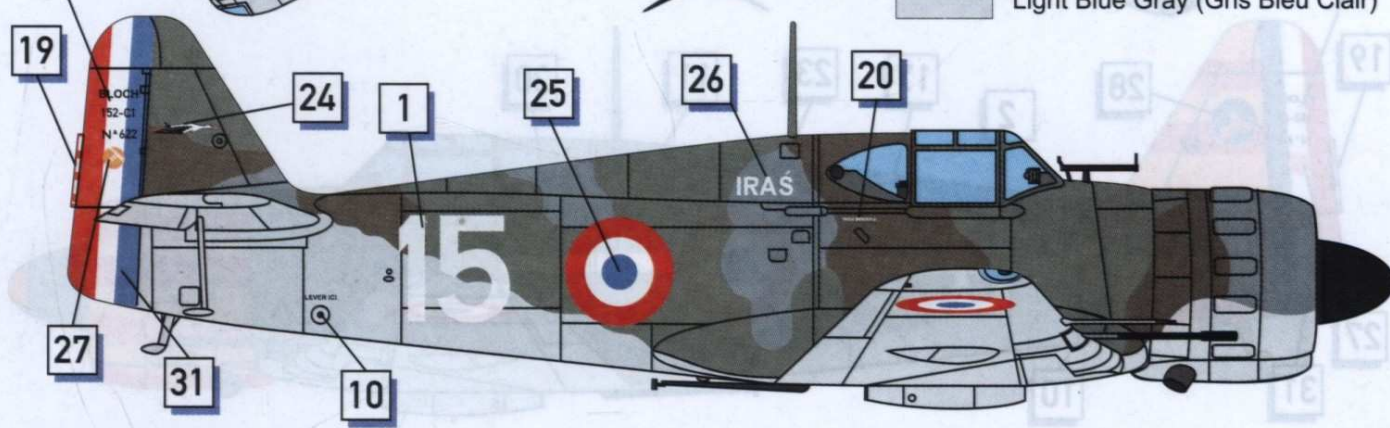


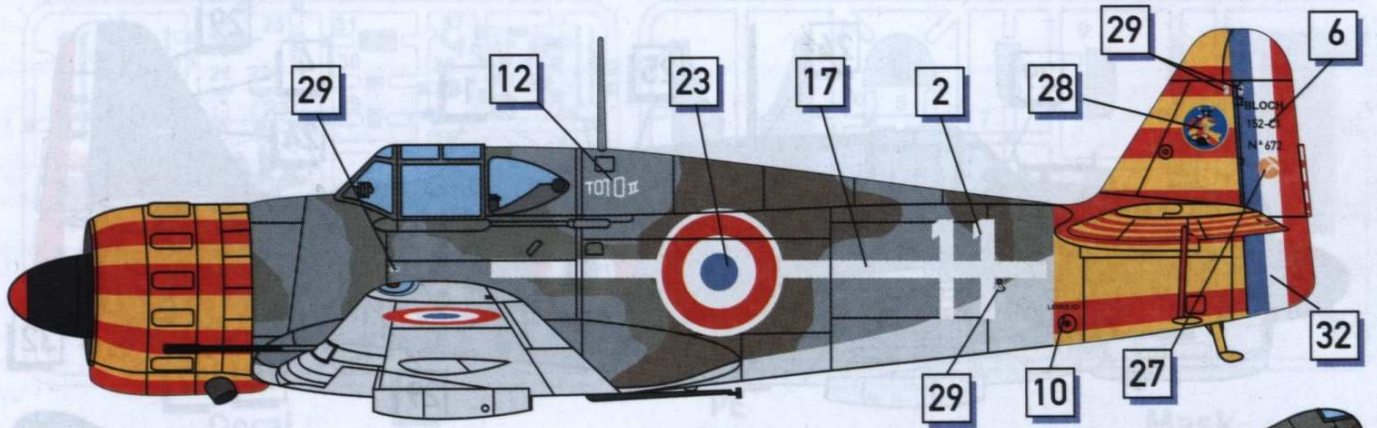


MB.152, No.622,3 esc. GC II/6,
Chateauroux-Cere, June 1940,
pilot C/C Szaposznikow

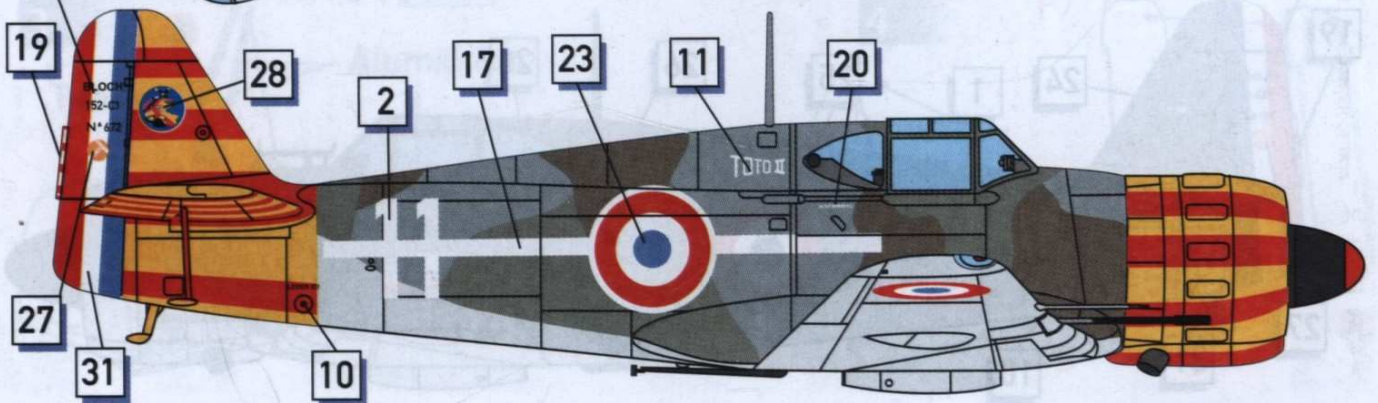
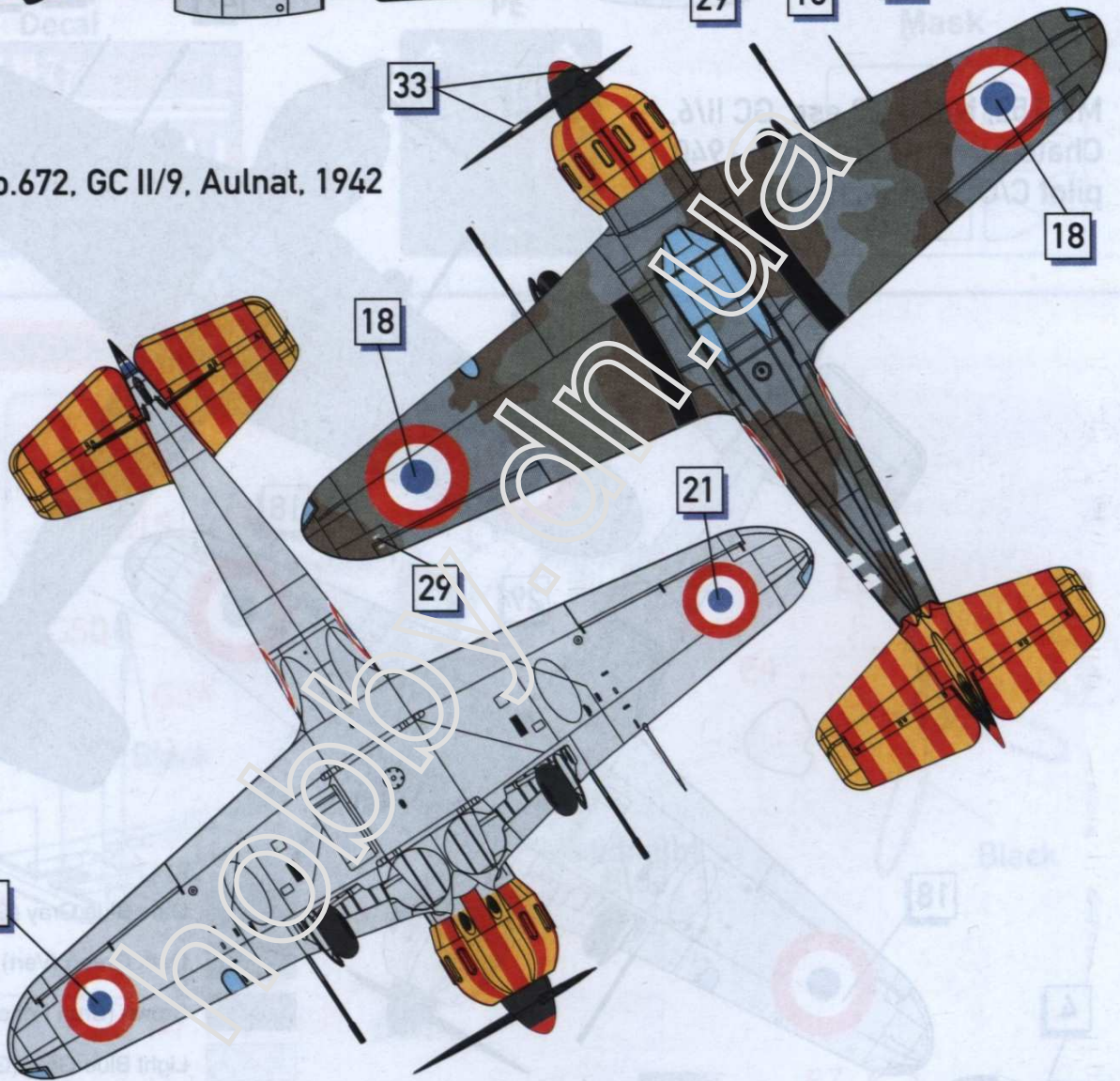


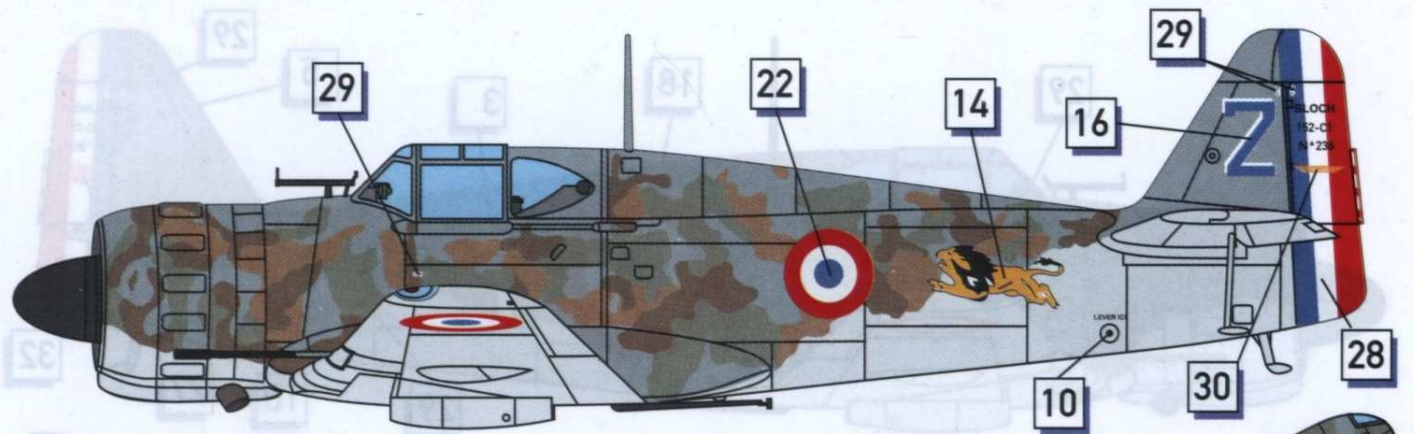
- Dark Blue Gray (Gris Bleu Foncé)
- Dark Green (Vert)
- Brown (Brun Foncé)
- Light Blue Gray (Gris Bleu Clair)



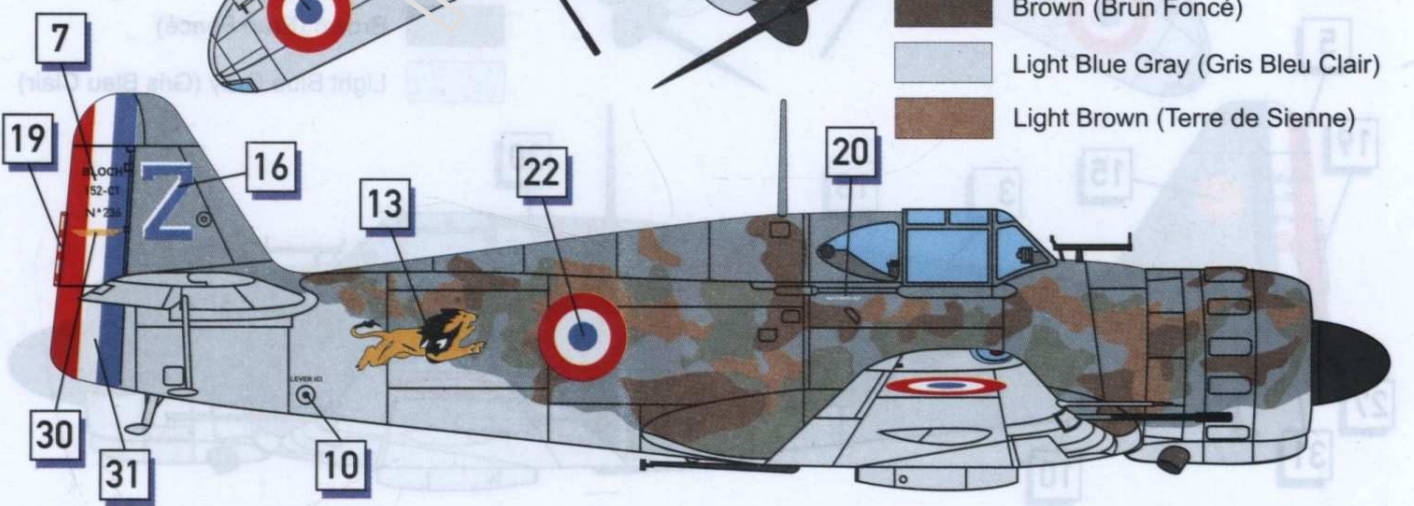
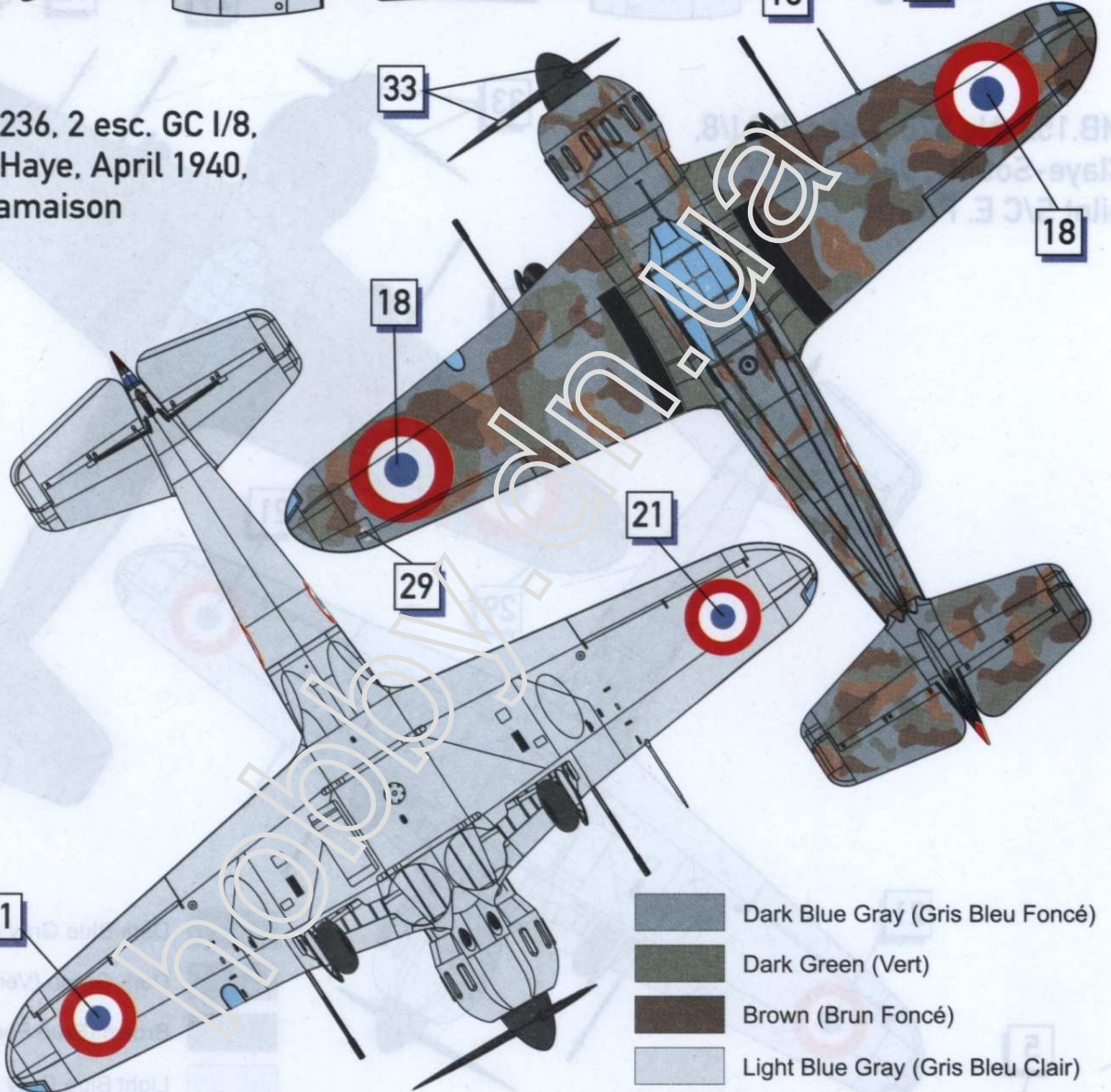


MB.152, No.672, GC II/9, Aulnat, 1942





MB.152, No.236, 2 esc. GC I/8,
Velaine-en-Haye, April 1940,
pilot S/Lt Lamaison



- Dark Blue Gray (Gris Bleu Foncé)
- Dark Green (Vert)
- Brown (Brun Foncé)
- Light Blue Gray (Gris Bleu Clair)
- Light Brown (Terre de Sienne)

MB.152, No.528, 1 esc. GC I/8,
Claye-Souilly, June 1940,
pilot S/C E. Prchal

