

DW 72001



# Bellanca CH/J-300

## Record flight

1/72 SCALE MODEL CONSTRUCTION KIT

Ready to assemble scale models kit.

Contains part for one model.

Model length: 120.6 mm

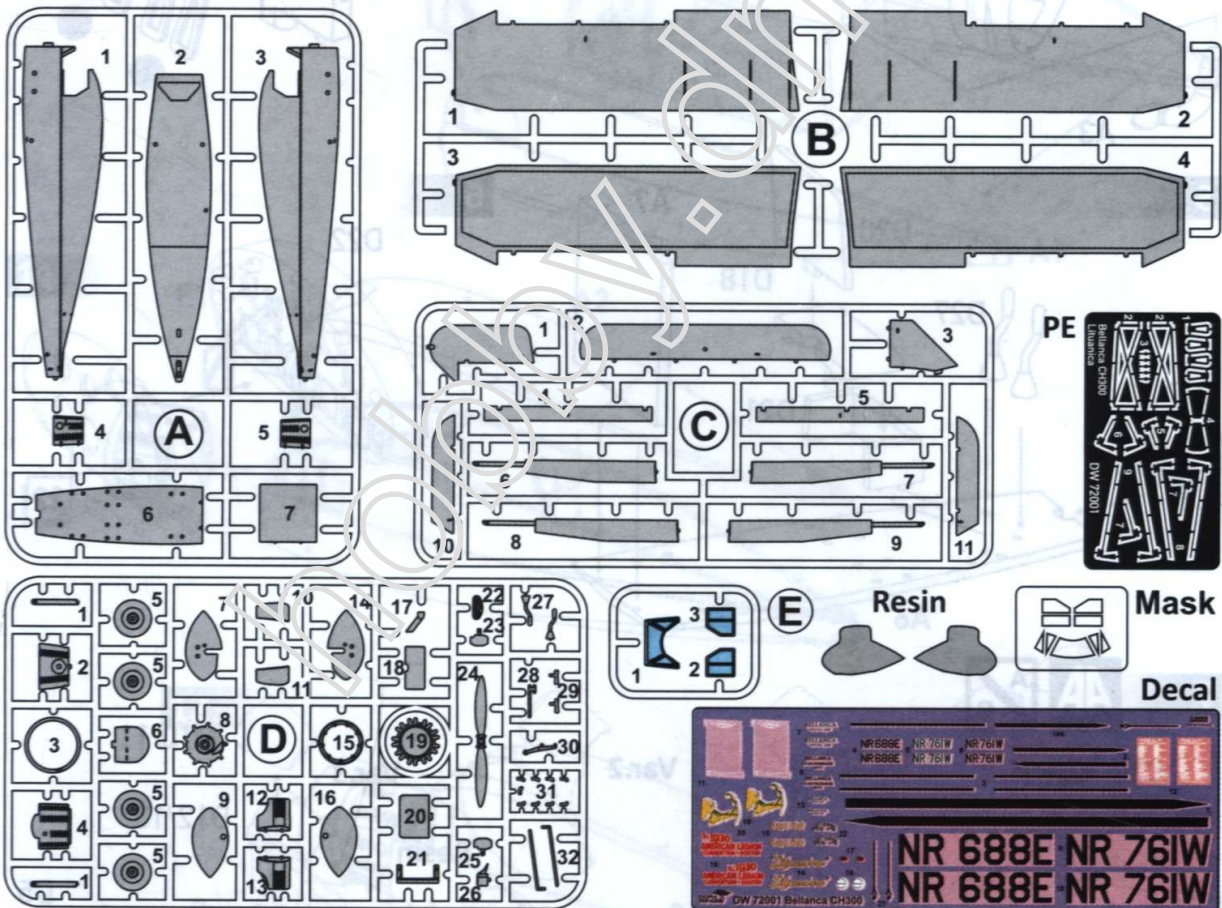
Wingspan: 211 mm

Plastic parts: 69

Photoetched parts: 23

The CH-300 Pacemaker was a conventional, high-wing braced monoplane with fixed tail wheel undercarriage. Pacemakers were renowned for their long-distance capabilities as well as reliability and weight lifting attributes, which contributed to their successful operation throughout the world. On July 15, 1933 6:24 AM two Lithuanian pilots Steponas Darius ir Stasys Girėnas flying a heavily modified CH-300 lifted off from Floyd Bennet Field to attempt a non stop transatlantic flight. They successfully crossed the Atlantic, however crashed in the forest near Pszczelnik, Poland. Flying replica of the plane is on display in Lithuanian museum of Aviation, the wreckage of the original is kept in Vytautas Magnus War museum, Kaunas, Lithuania.

### PARTS OF THE MODEL



### USED SYMBOLS



CEMENT



DON'T CEMENT



REMOVE



SYMMETRICAL



MULTIPLE



BEND



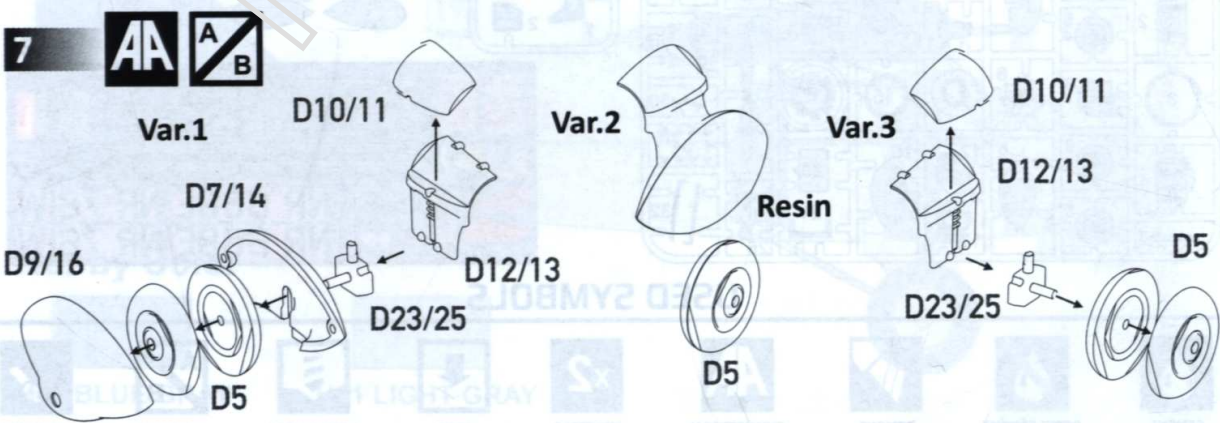
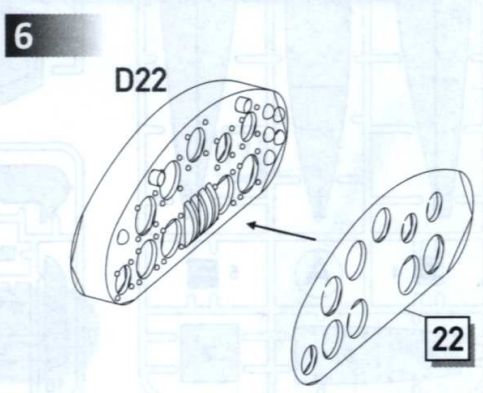
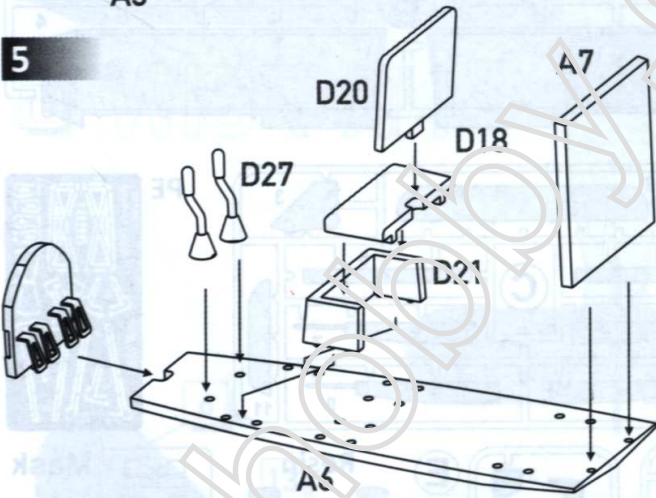
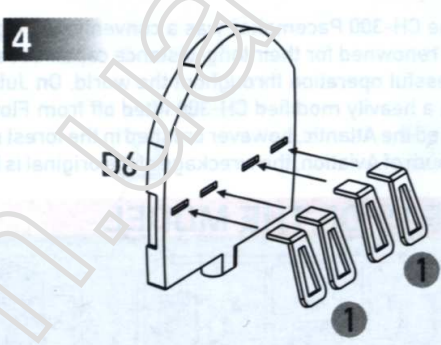
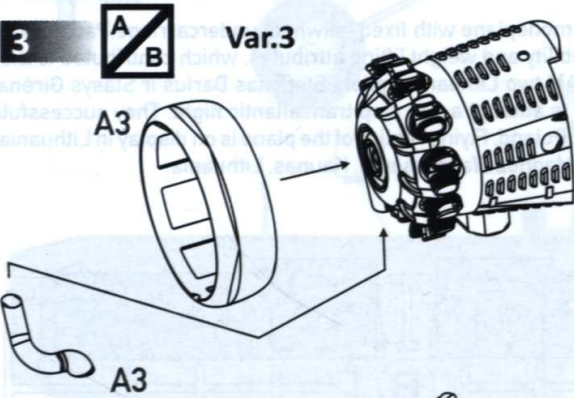
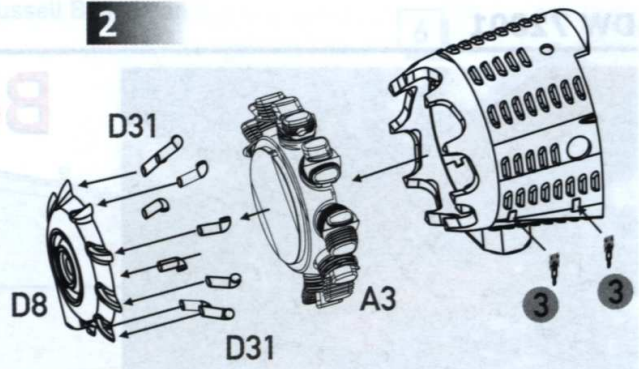
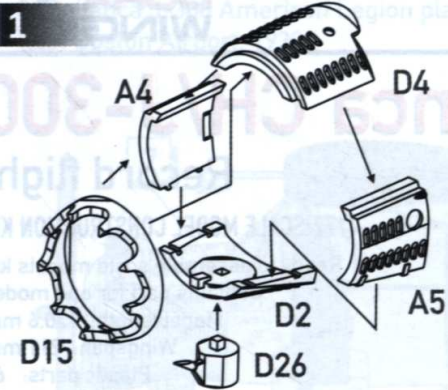
OPEN WHOLE

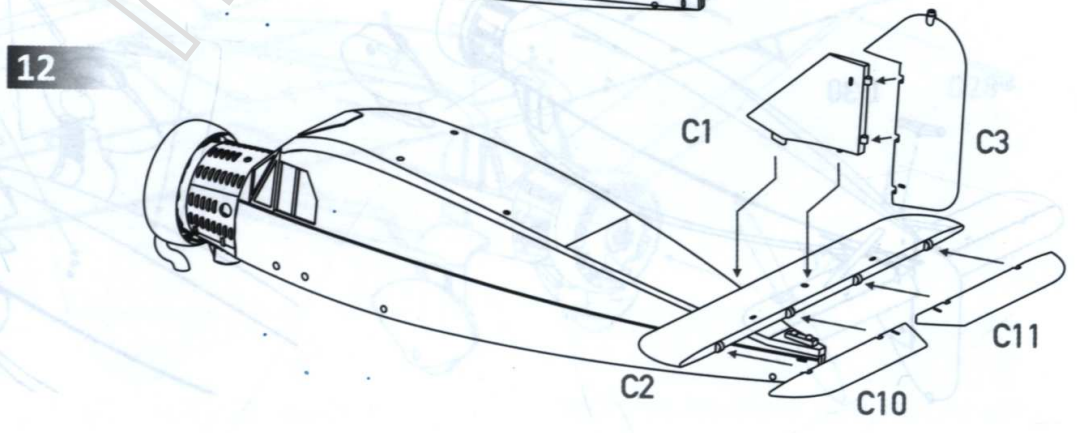
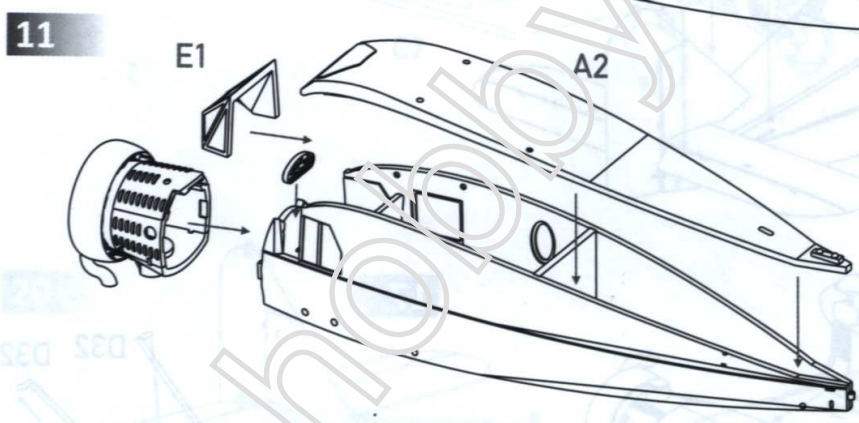
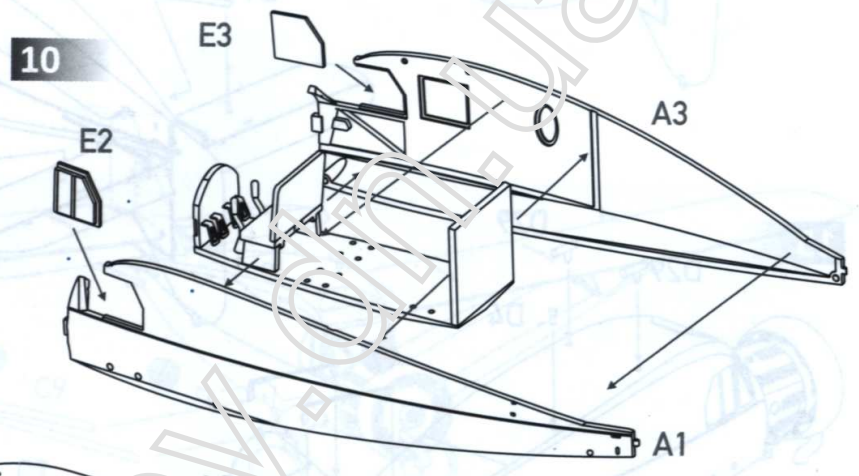
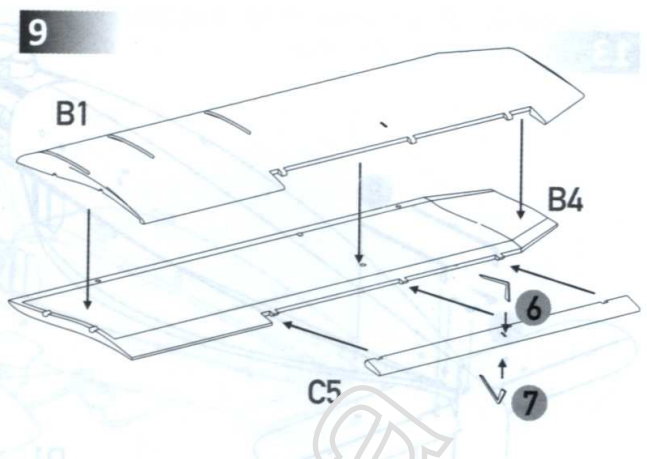
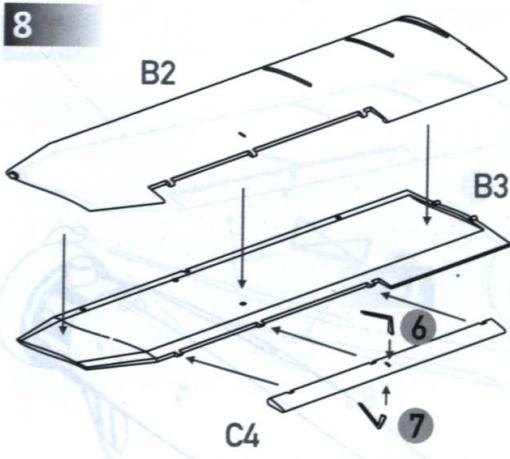


VARIANTS

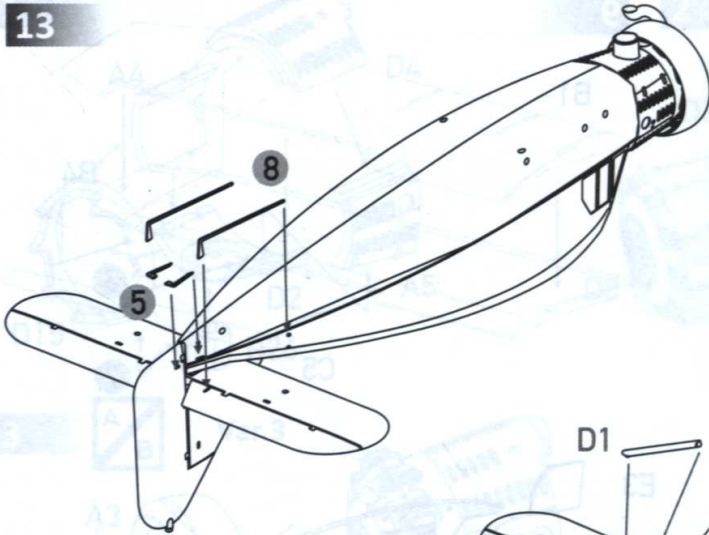


TO PAINT

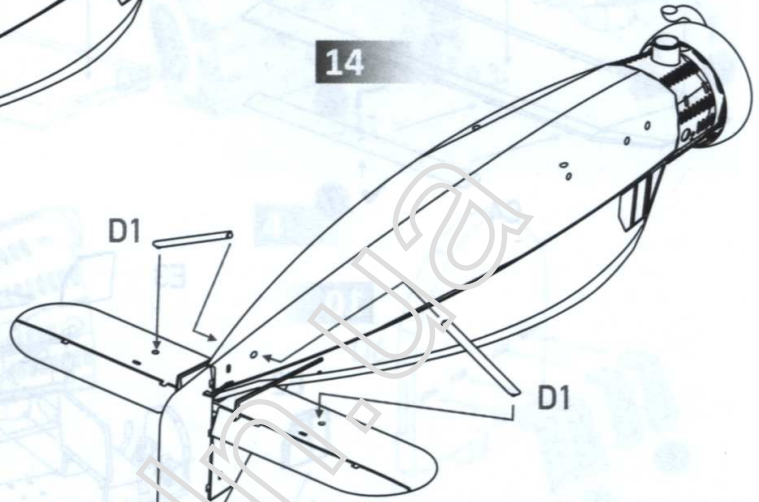




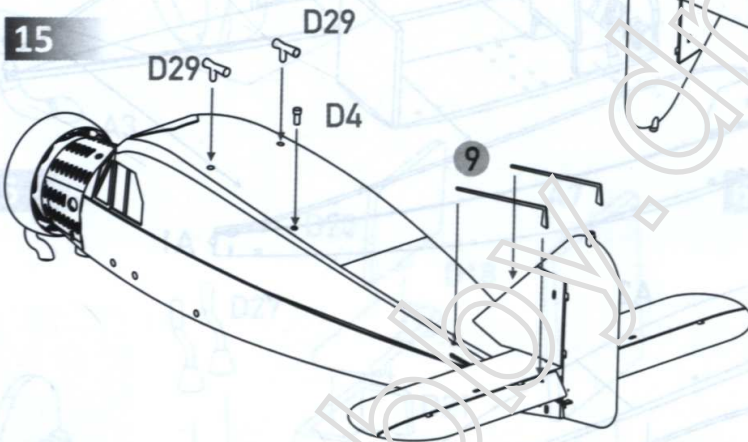
13



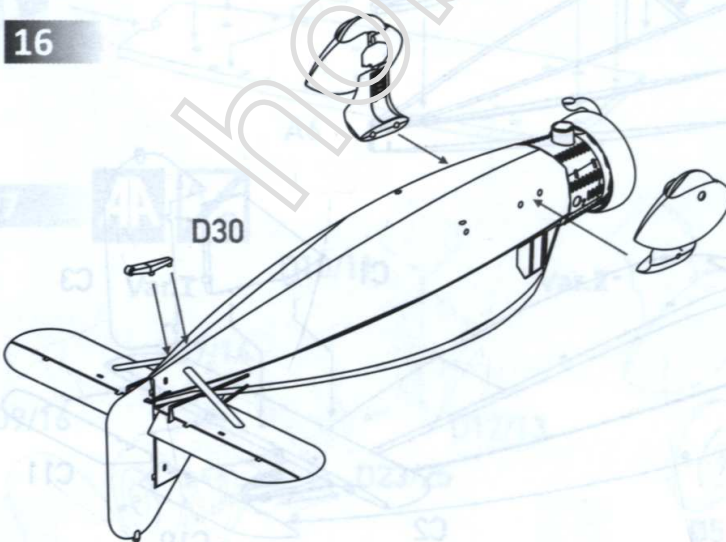
14



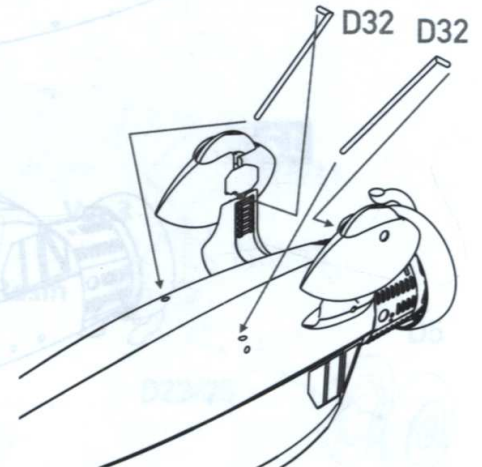
15



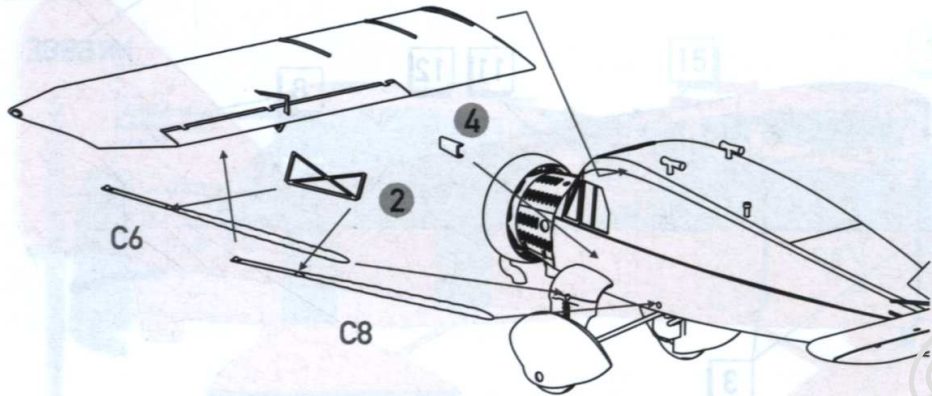
16



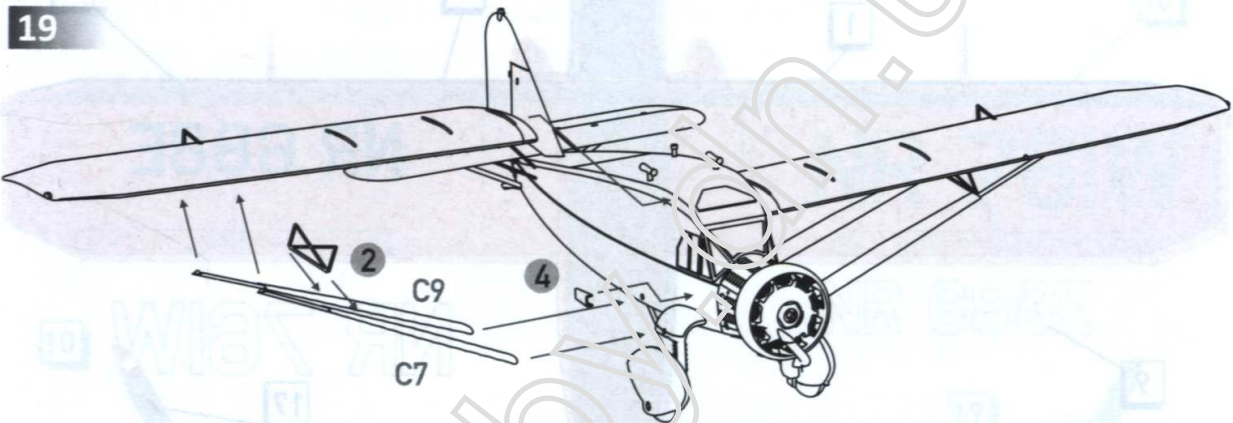
17



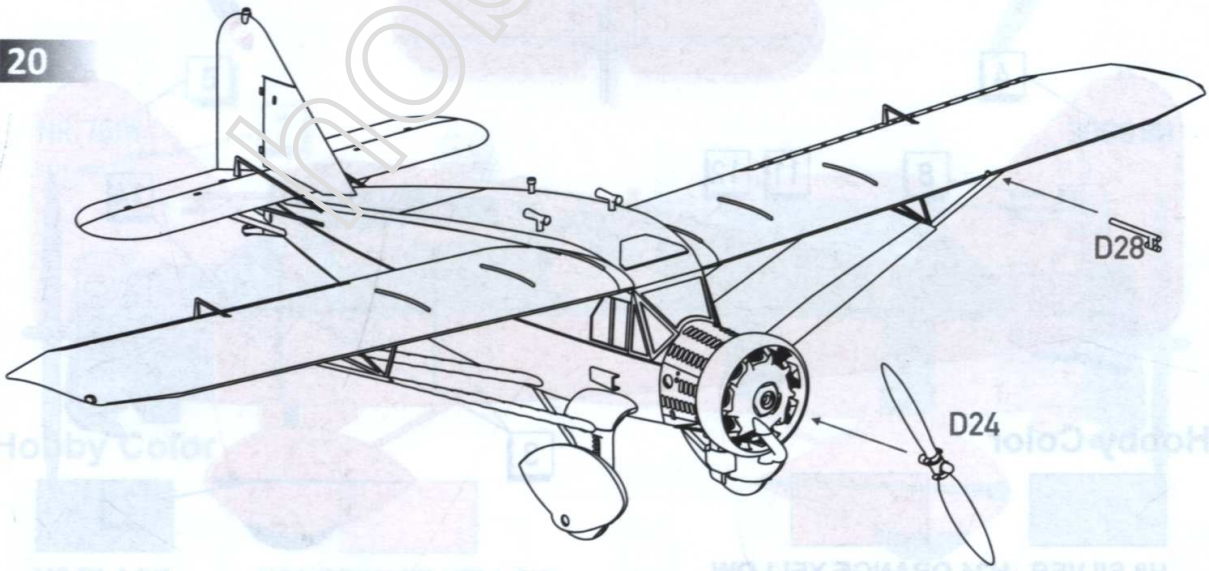
18



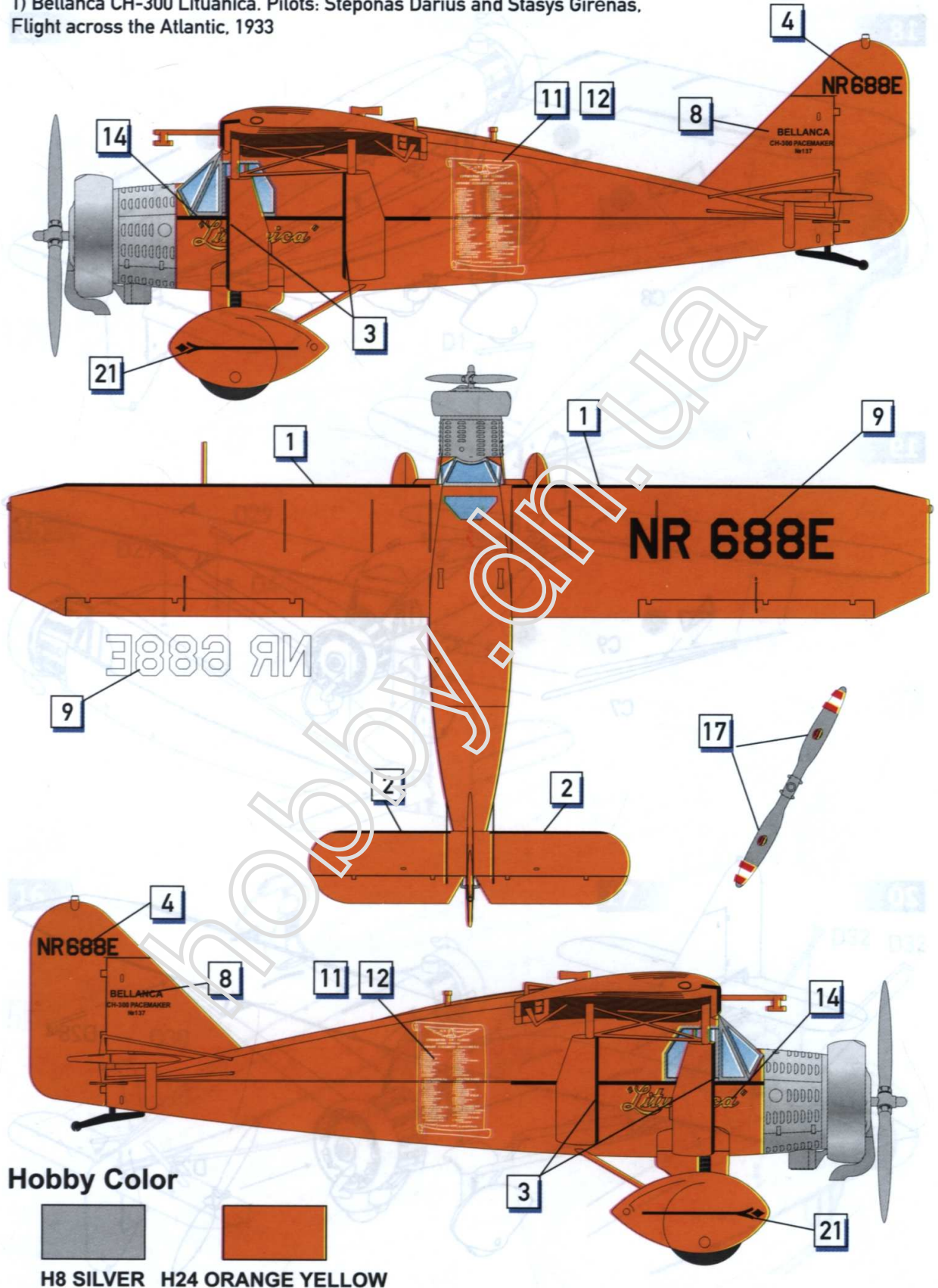
19



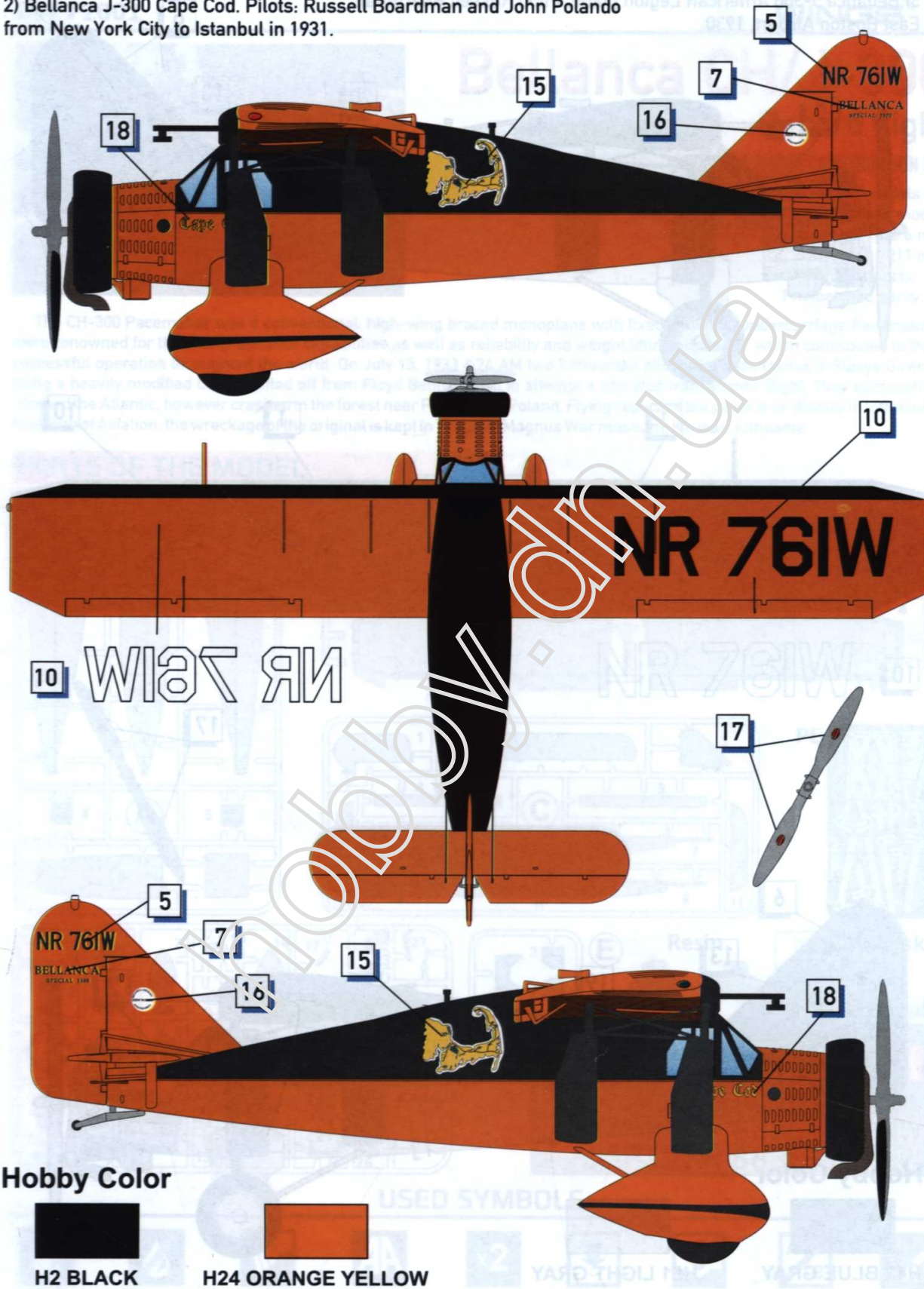
20



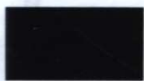
1) Bellanca CH-300 Lituanica. Pilots: Steponas Darius and Stasys Girėnas.  
Flight across the Atlantic, 1933



2) Bellanca J-300 Cape Cod. Pilots: Russell Boardman and John Polando from New York City to Istanbul in 1931.



Hobby Color

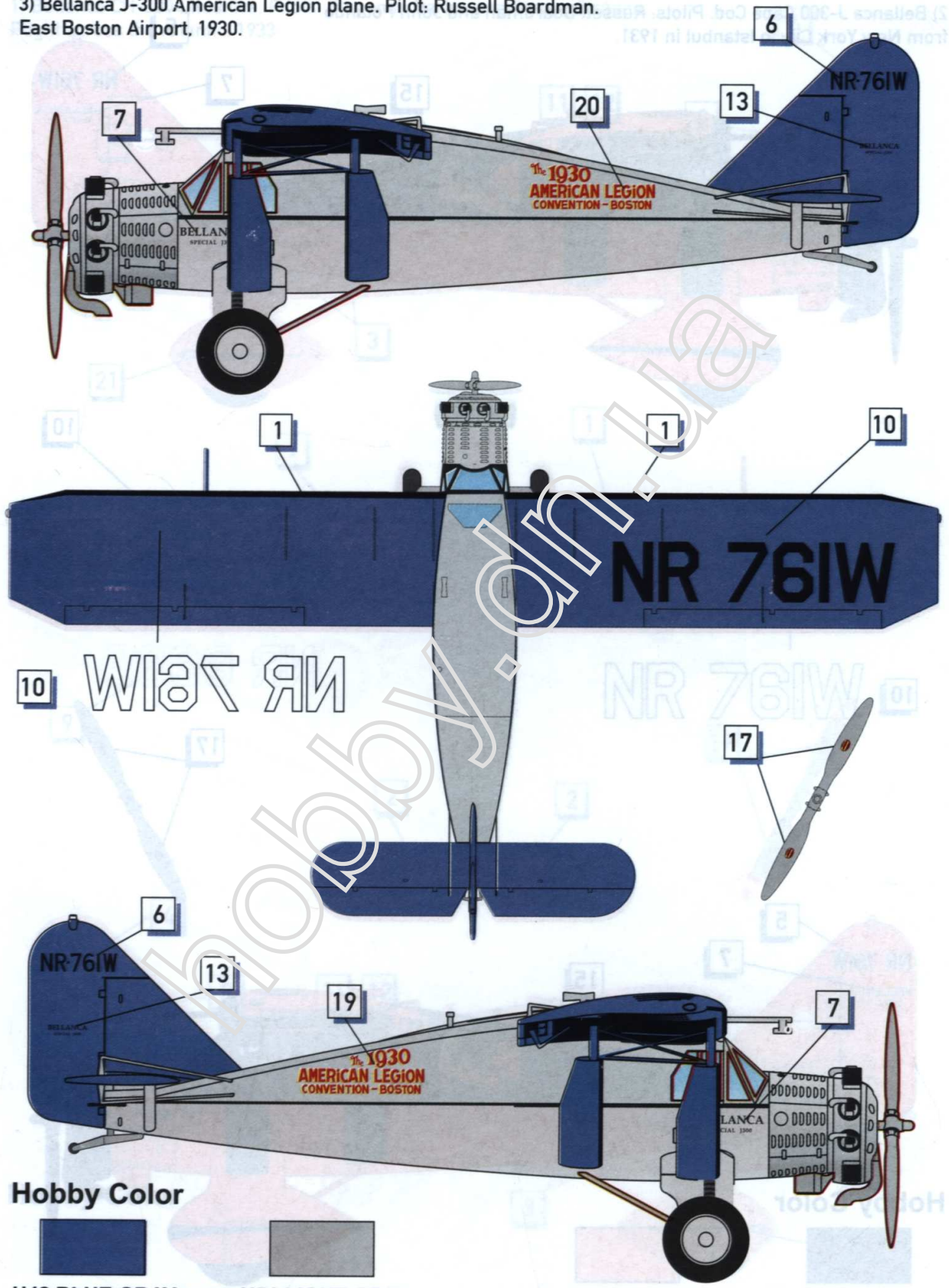


H2 BLACK



H24 ORANGE YELLOW

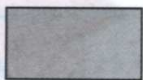
3) Bellanca J-300 American Legion plane. Pilot: Russell Boardman.  
East Boston Airport, 1930.



Hobby Color



H42 BLUE GRAY



H51 LIGHT GRAY