



Percival Proctor Mk.I in Czechoslovak service

1/72 SCALE MODEL CONSTRUCTION KIT

Ready to assemble scale models kit.

Contains part for one model.

Model length: 112 mm

Wingspan: 168 mm

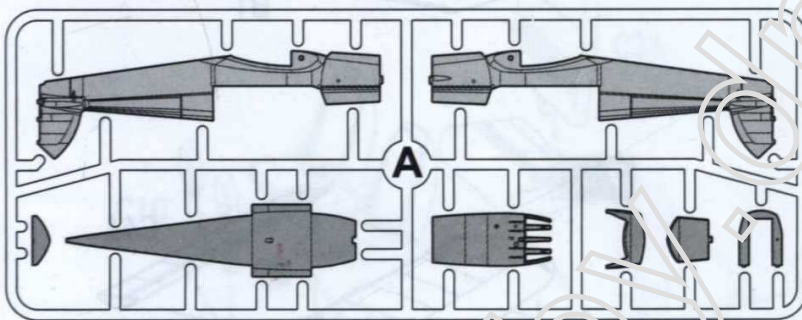
Plastic parts: 57

Photoetched parts: 47

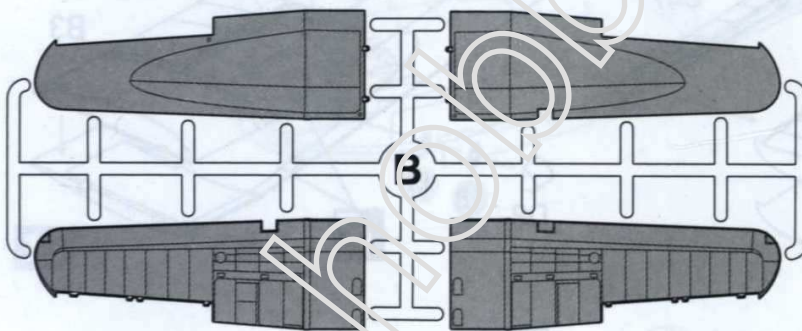
Proctor 1 P6240 used the Czech air attach in RAF Hendon, London. In 1946-1949, this aircraft used a special communications regiment, Kbeli, and carried the marking of the Czech Air Force.

The Percival Proctor model was created on the basis of the original drawings, which were given to the company of Dora Wings by **Mr. John Adams (Aeroclub company)**. He also advised the designers of the company, and provided every help. The team of Dora Wings expresses great gratitude to John Adams for help and advice. You're the man John!

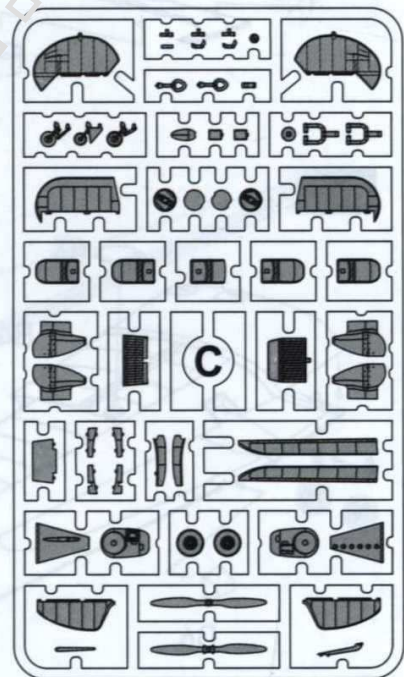
PARTS OF THE MODEL



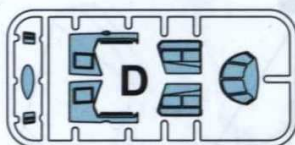
A



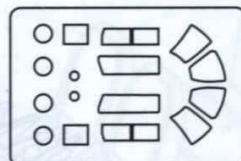
B



C



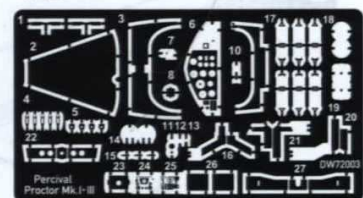
Mask



Film



PE



USED SYMBOLS



CEMENT



DON'T CEMENT



REMOVE



SYMMETRICAL



MULTIPLE



BEND



OPEN WHOLE

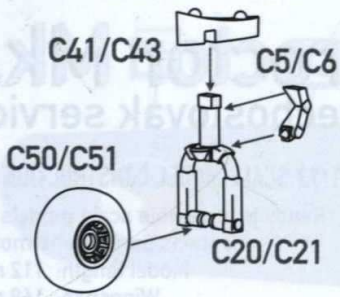


VARIANTS

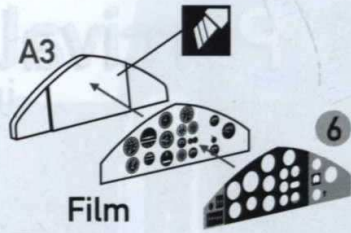


TO PAINT

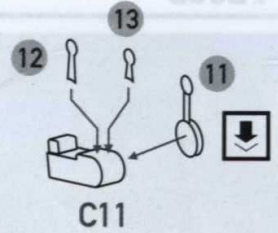
1 x2



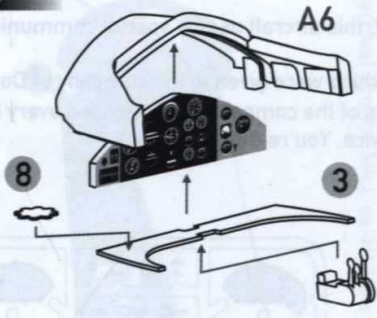
2



3

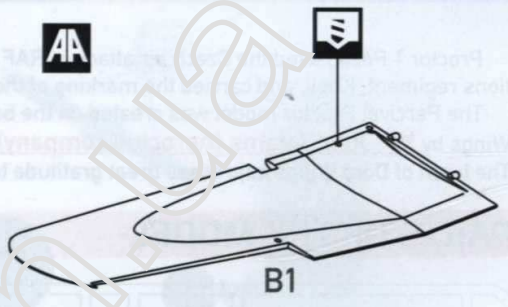


4

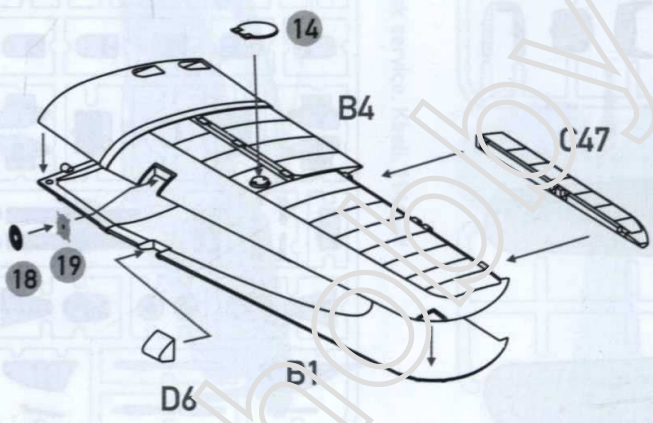


5

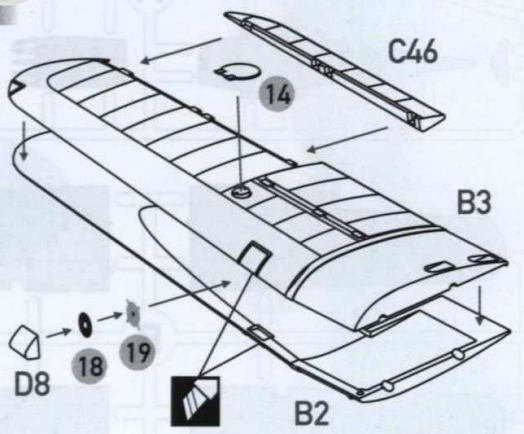
AA



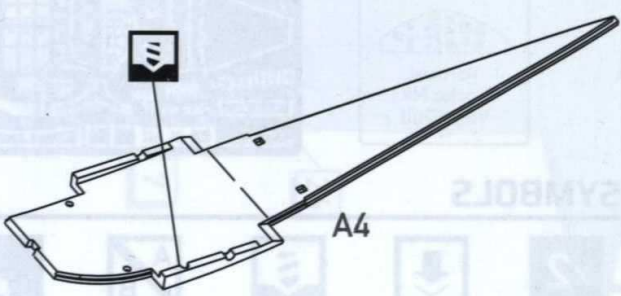
6



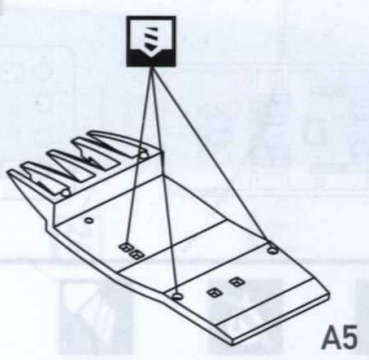
7



8



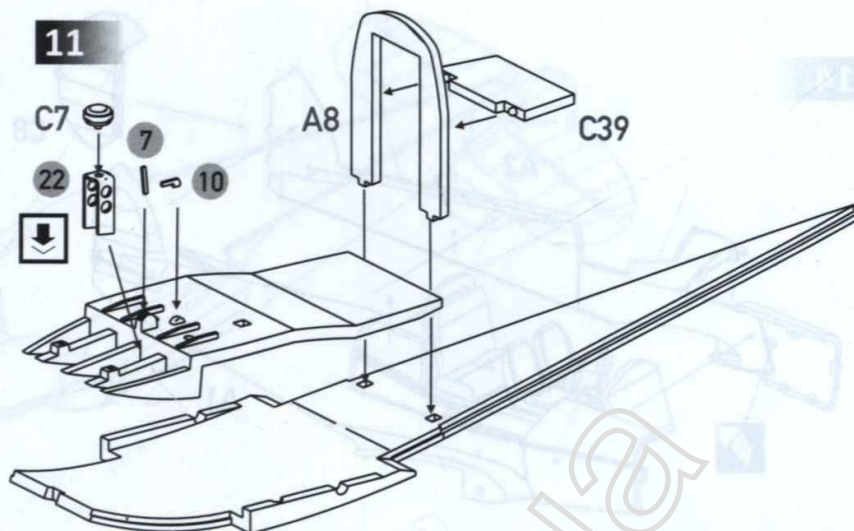
9



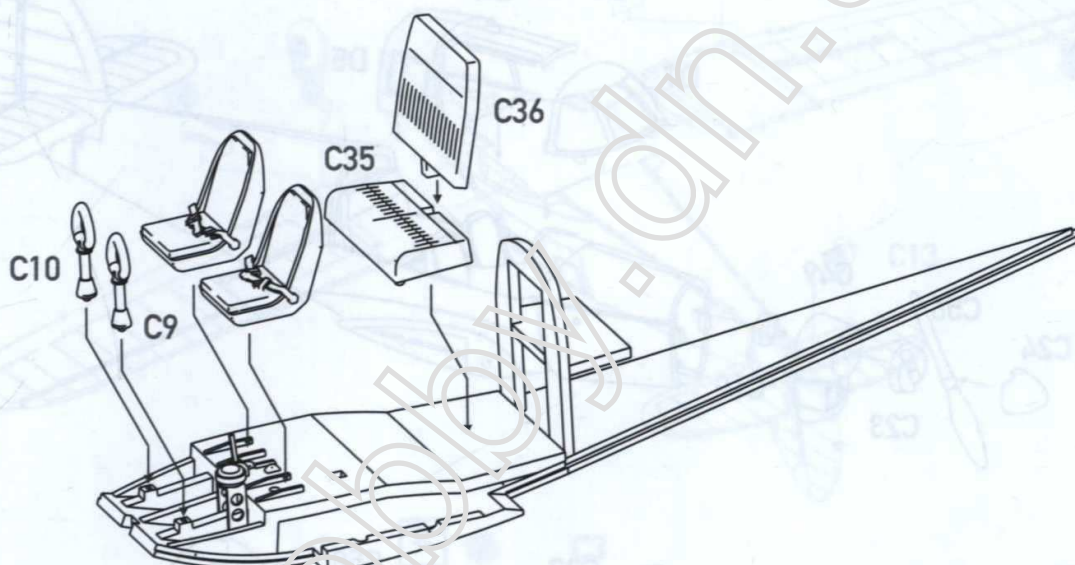
10 x2



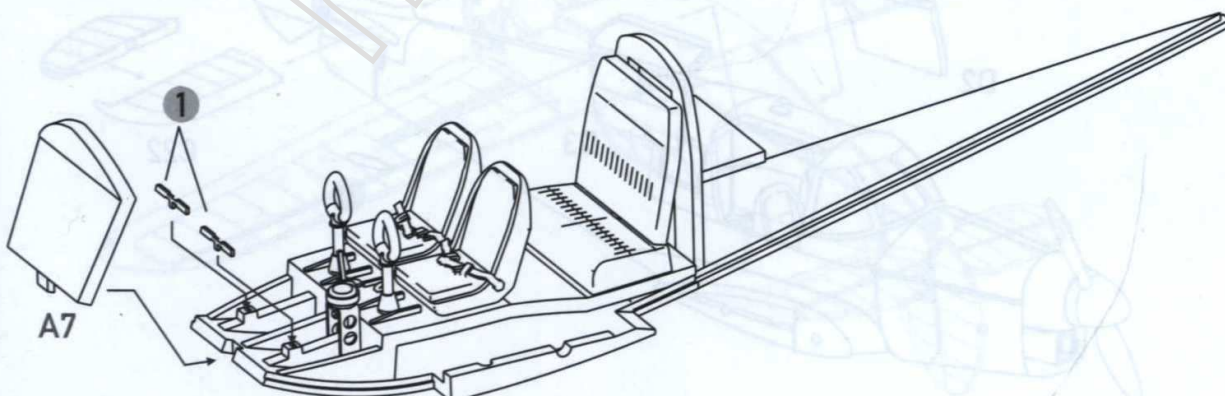
11



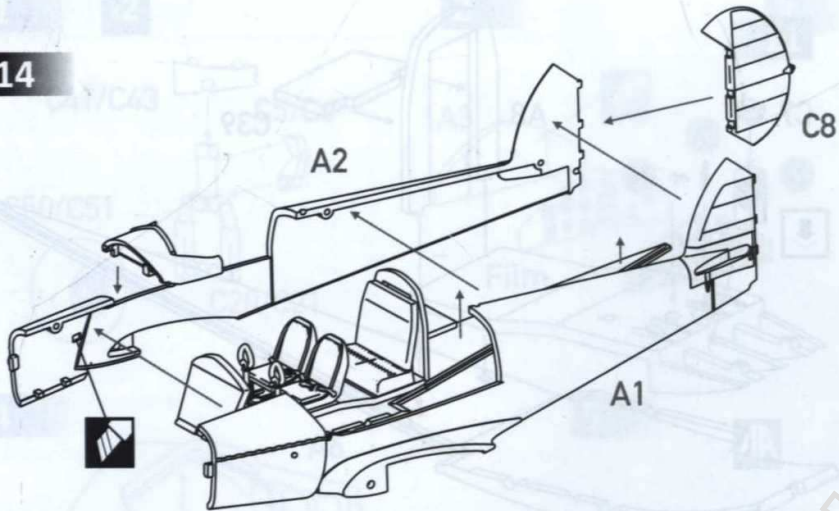
12



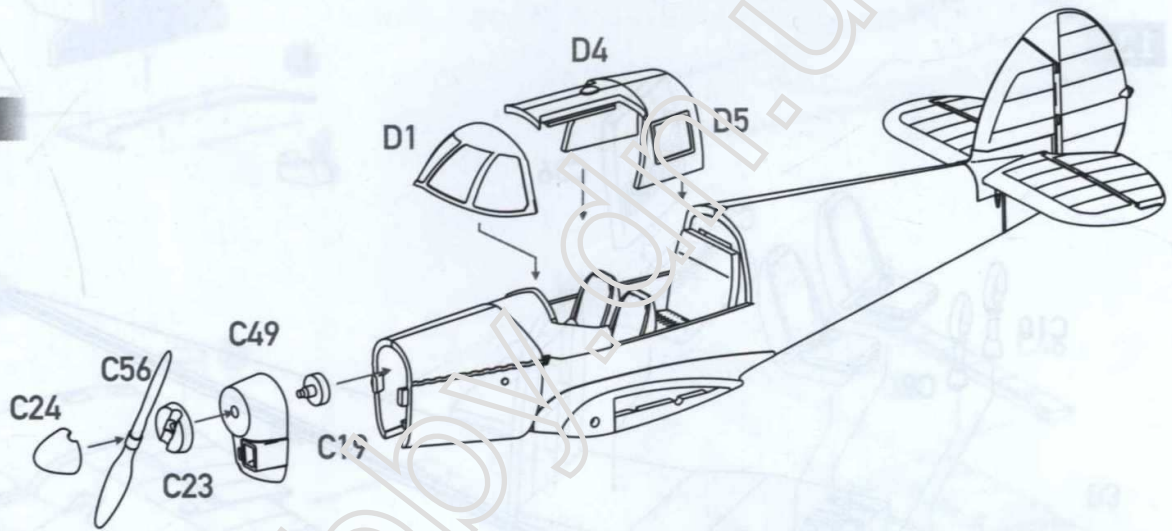
13



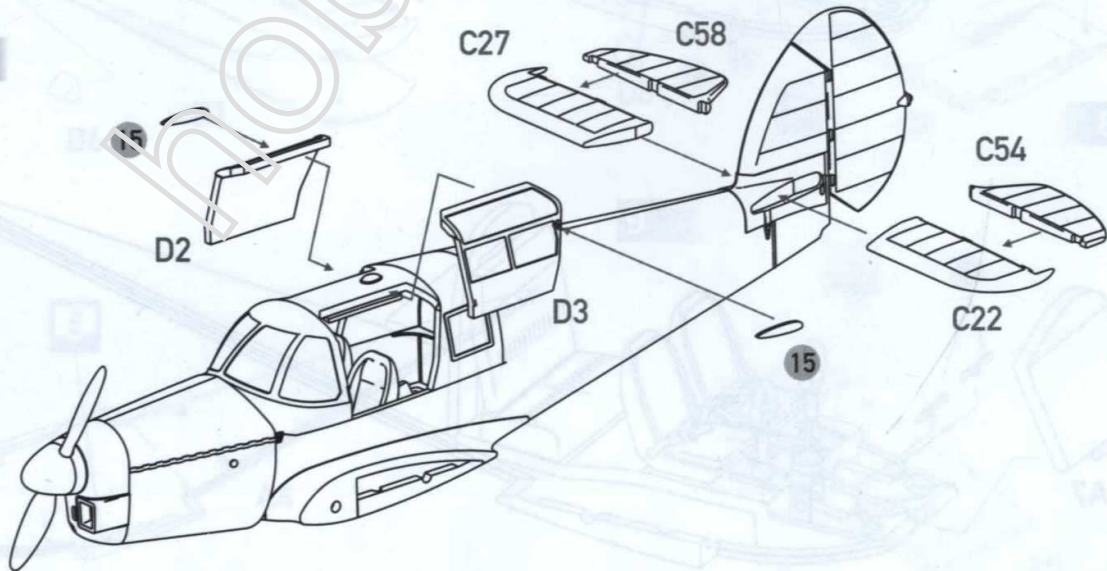
14



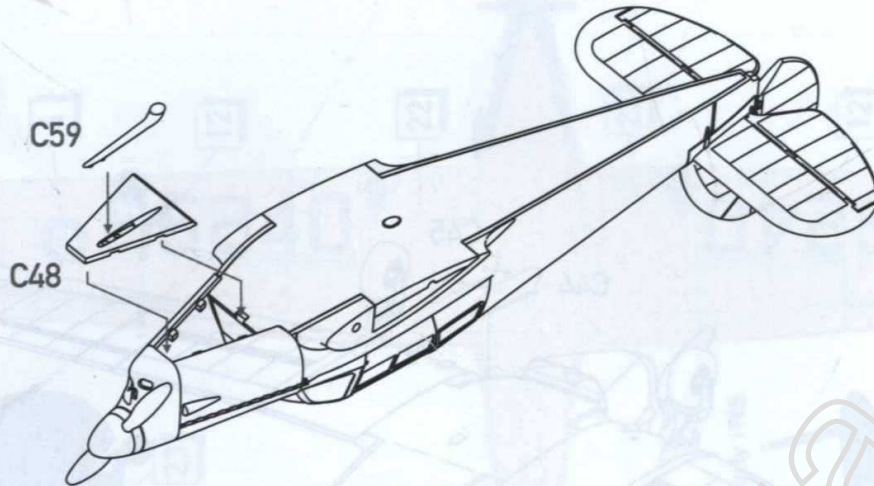
15



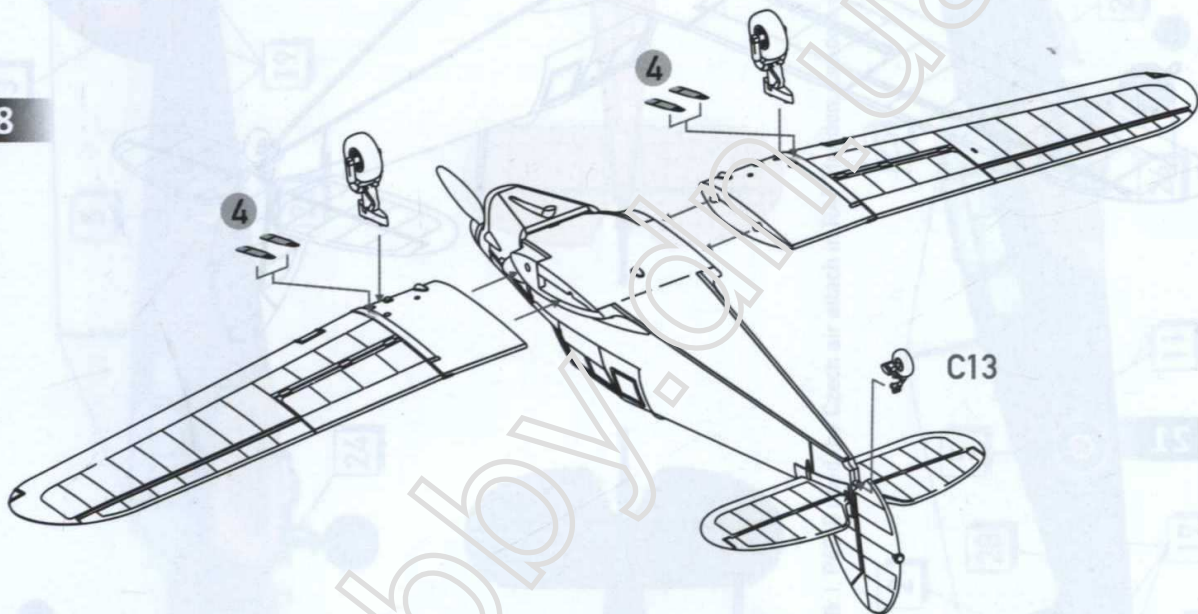
16



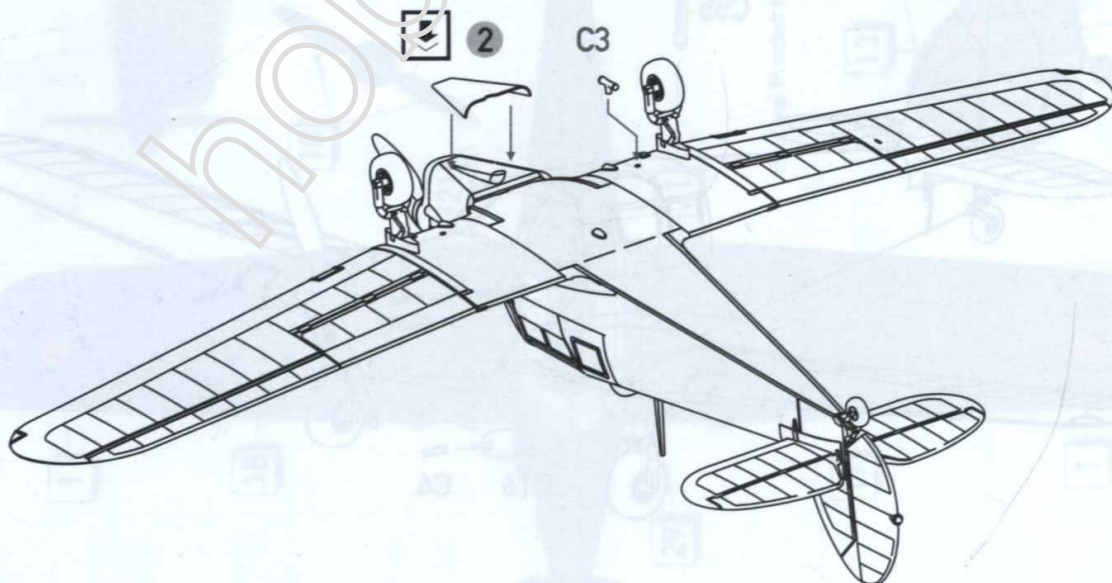
17



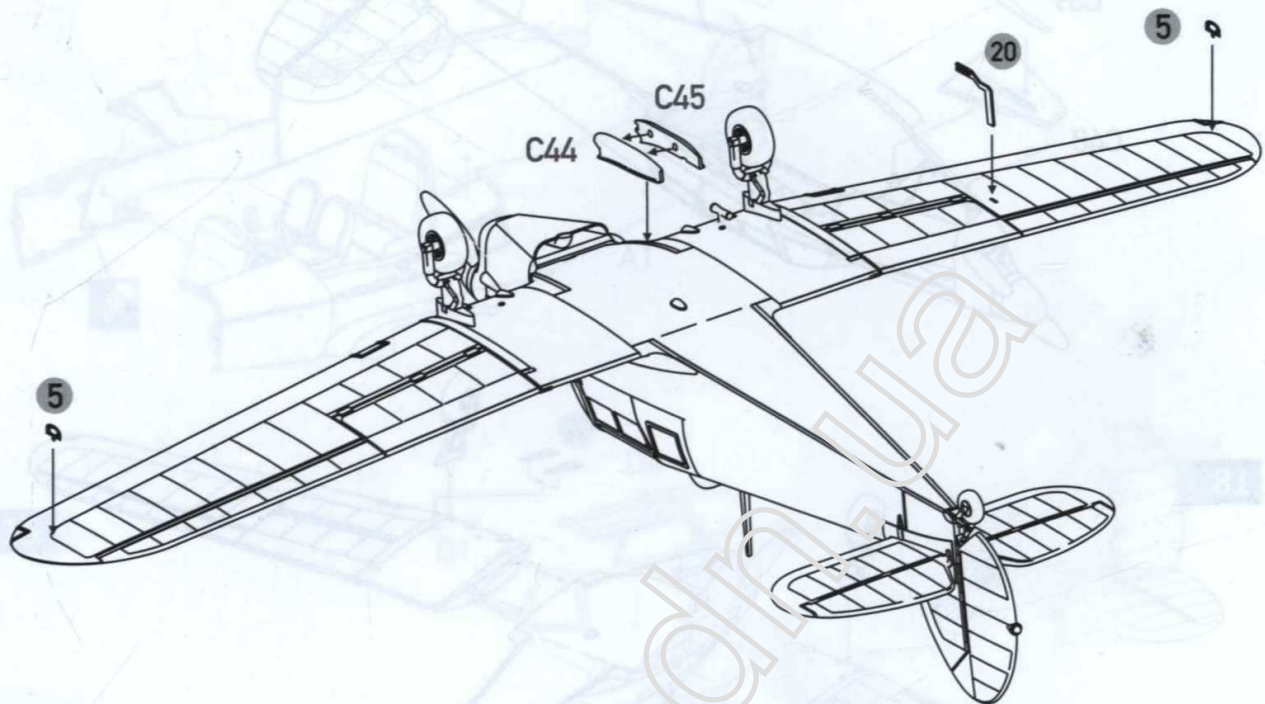
18



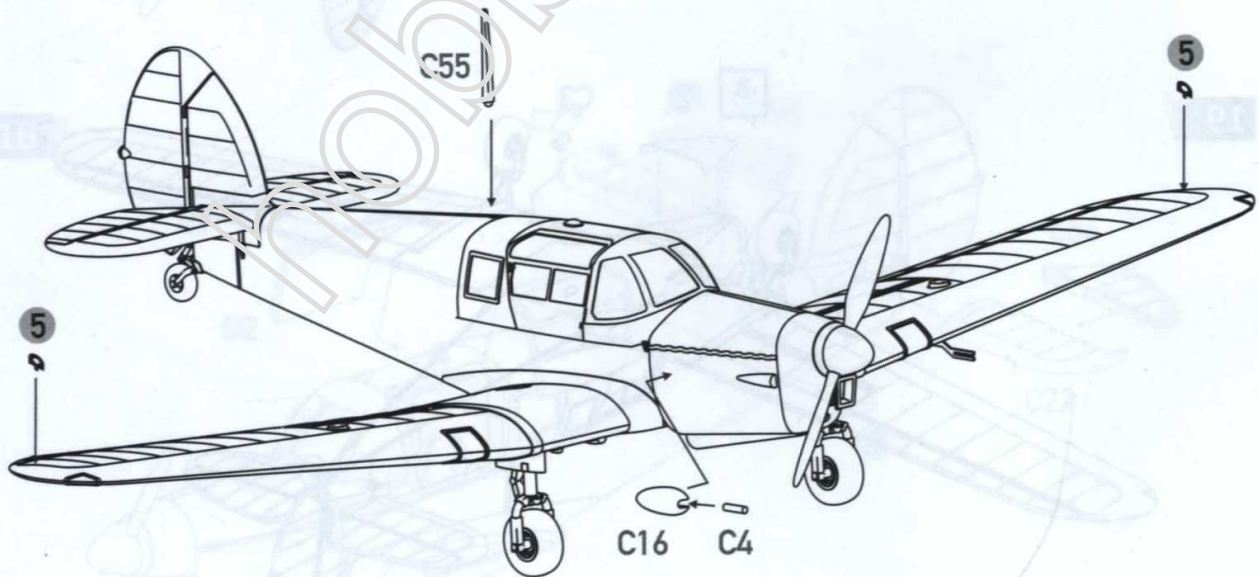
19

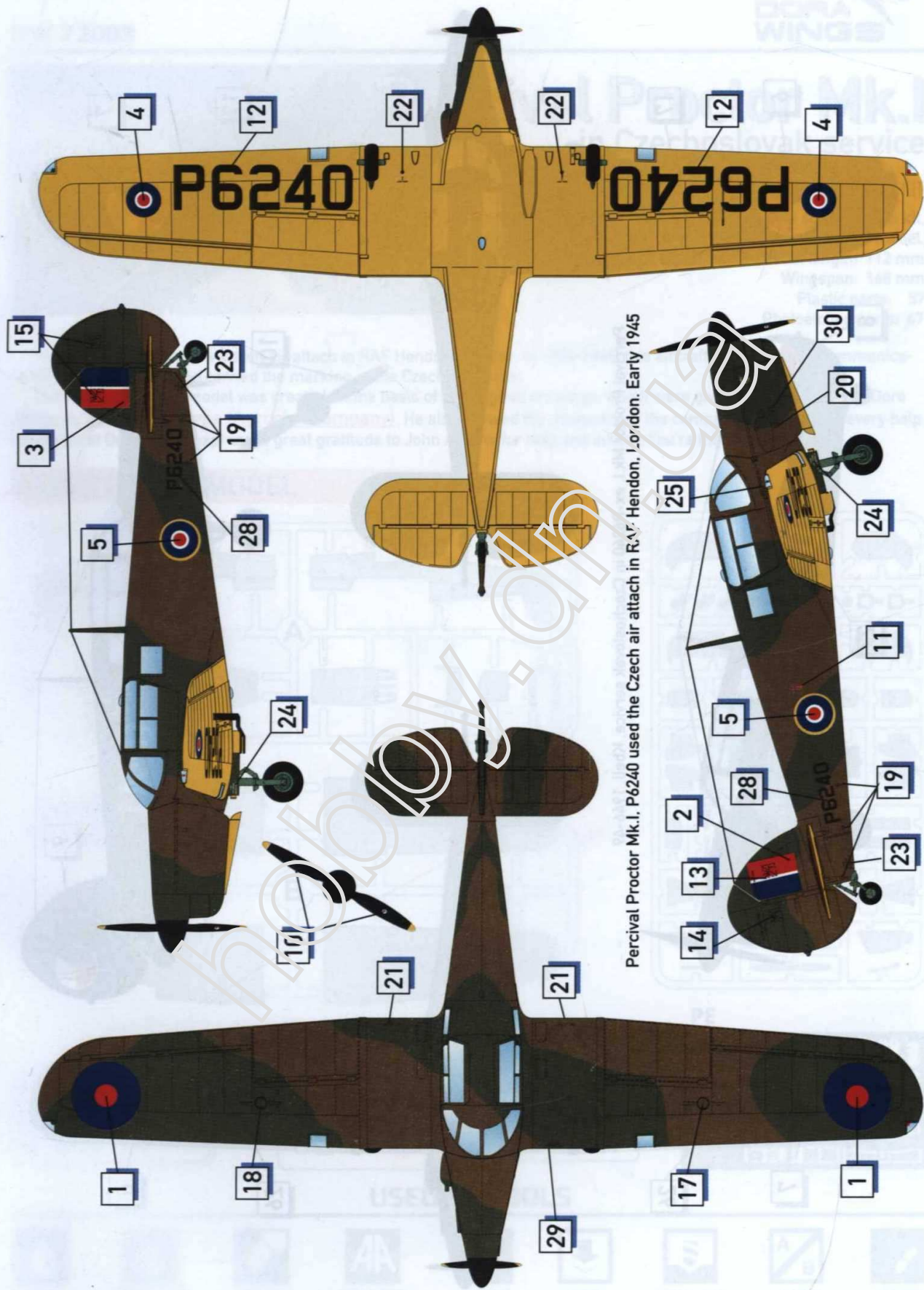


20



21





Percival Proctor Mk.I. P6240 used the Czech air attach in R.A.F. Hendon, London. Early 1945