

DW 72004



# Percival Vega Gull

in military service

1/72 SCALE MODEL CONSTRUCTION KIT

Ready to assemble scale models kit.

Contains part for one model.

Model length: 112 mm

Wingspan: 168 mm

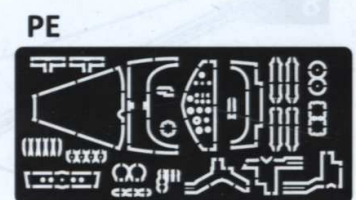
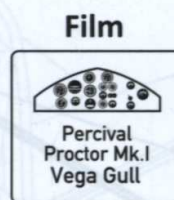
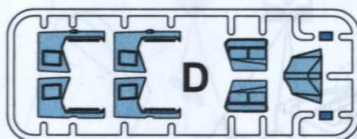
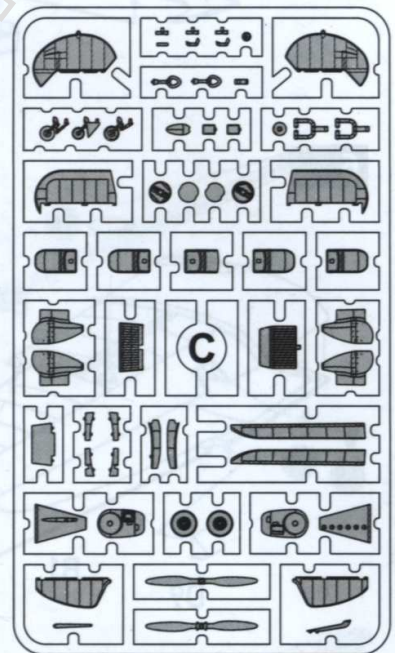
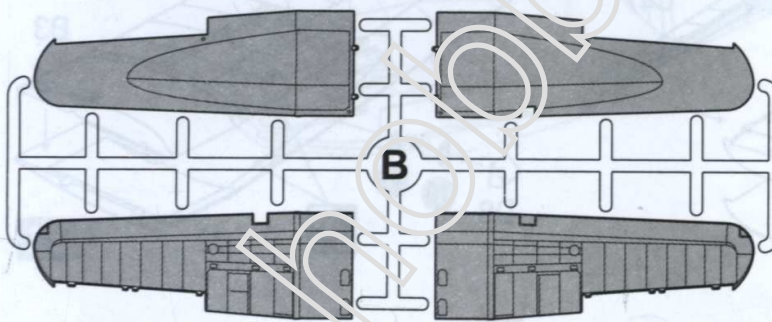
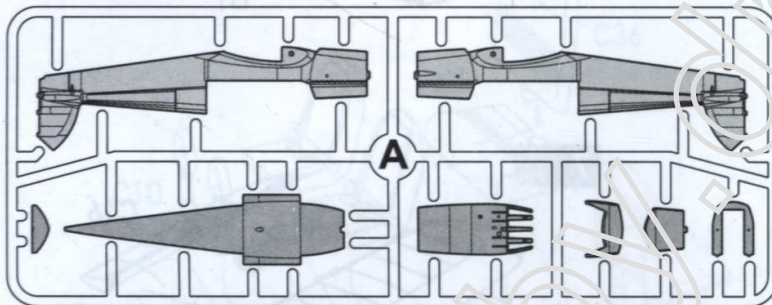
Plastic parts: 57

Photoetched parts: 47

Vega Gulls have been registered in the following countries: Argentina, Australia, Belgium, Canada, France, Germany, India, Iraq, Japan, Kenya, Netherlands, New Zealand, Sweden, Switzerland, United Kingdom

The Percival Vega Gull model was created on the basis of the original drawings, which were given to the company of Dora Wings by **Mr. John Adams (Aeroclub company)**. He also advised the designers of the company, and provided every help. The team of Dora Wings expresses great gratitude to John Adams for help and advice. You're the man John!

## PARTS OF THE MODEL



### USED SYMBOLS



CEMENT



DON'T CEMENT



REMOVE



SYMMETRICAL



MULTIPLE



BEND



OPEN WHOLE

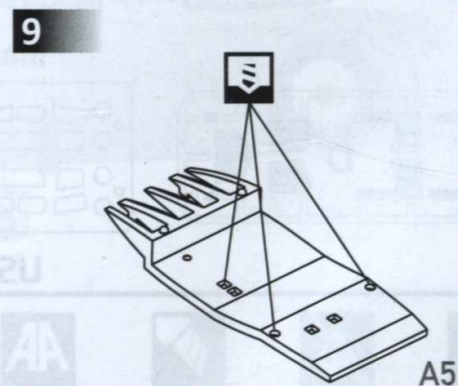
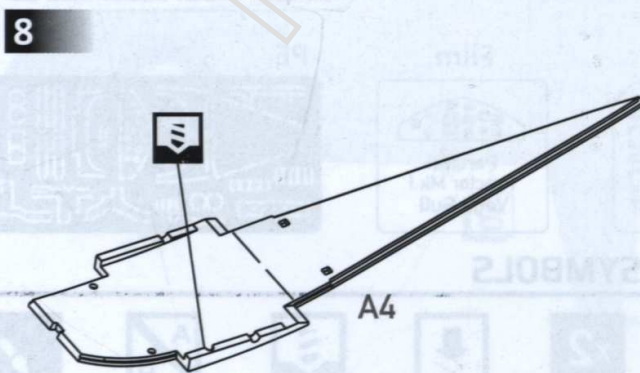
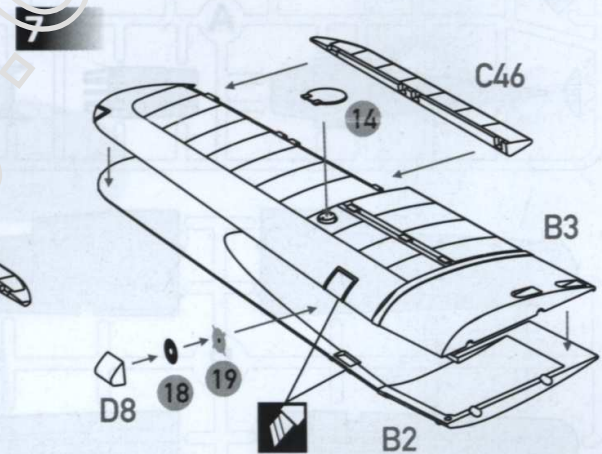
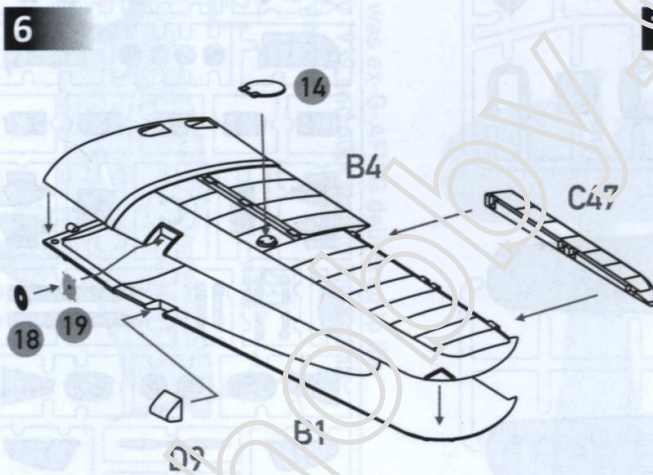
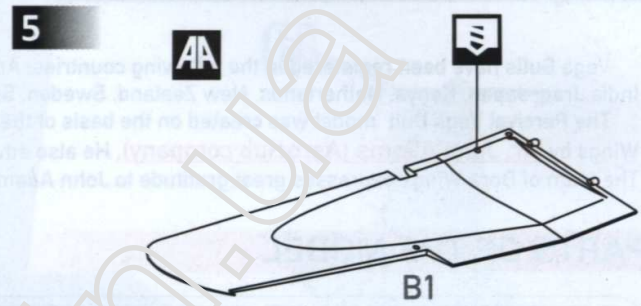
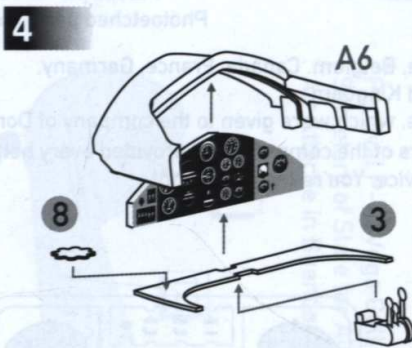
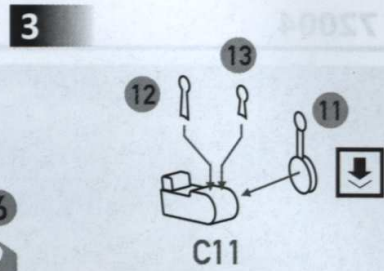
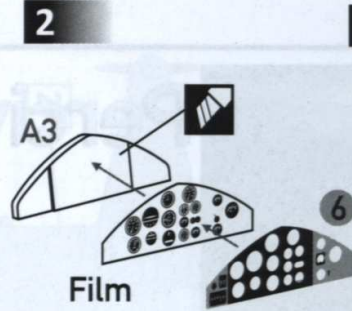
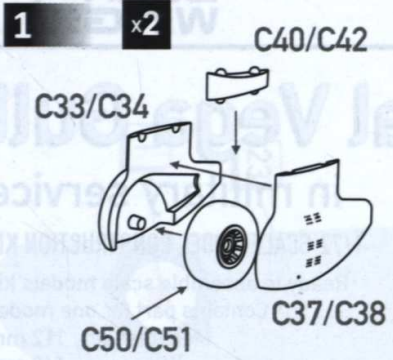


VARIANTS



TO PAINT

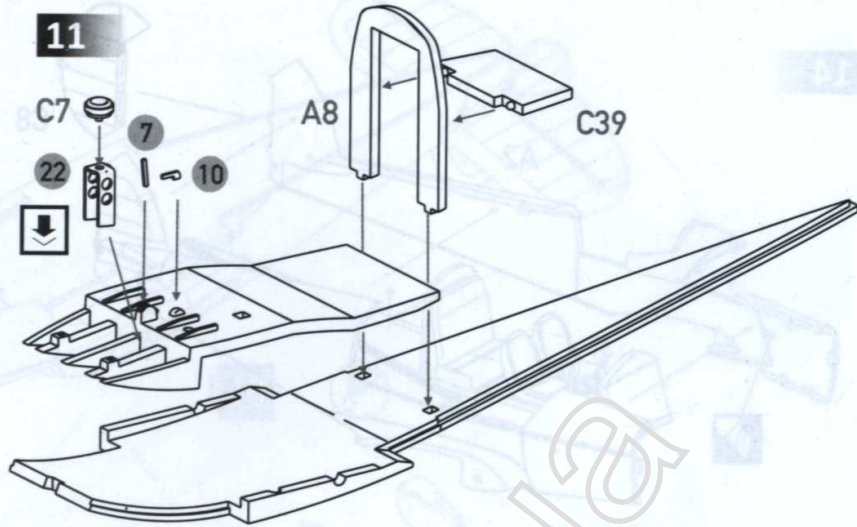




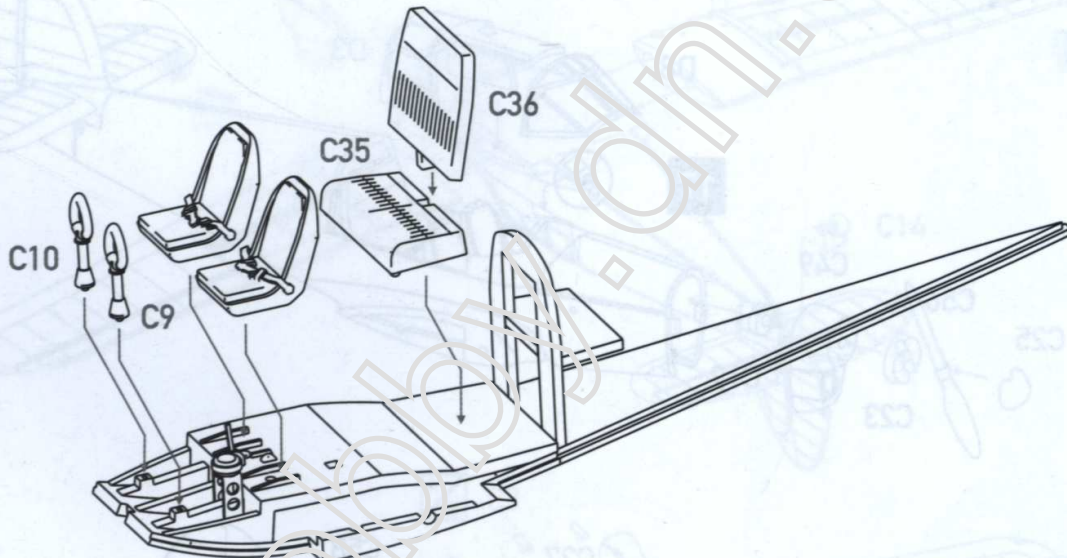
10 x2



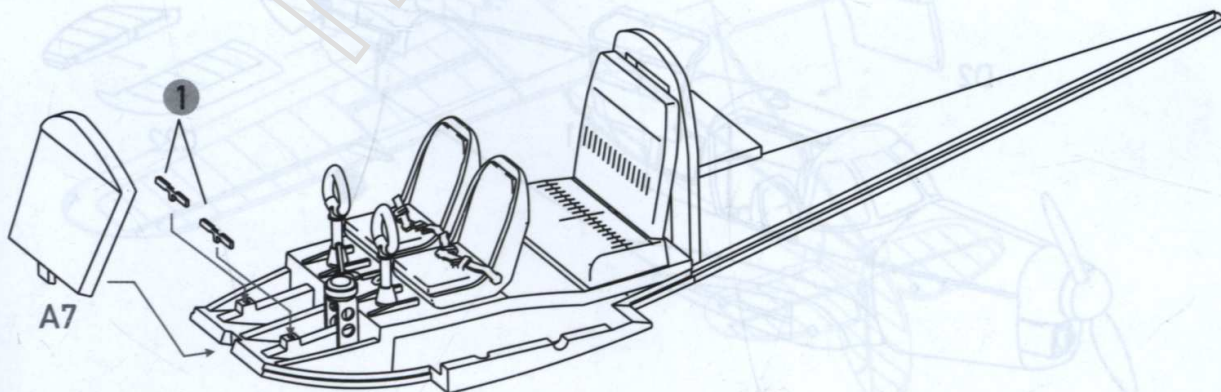
11



12

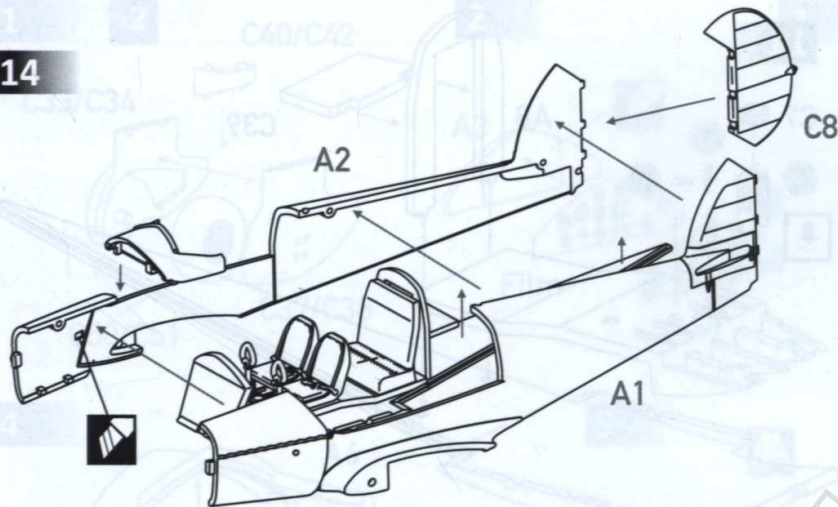


13

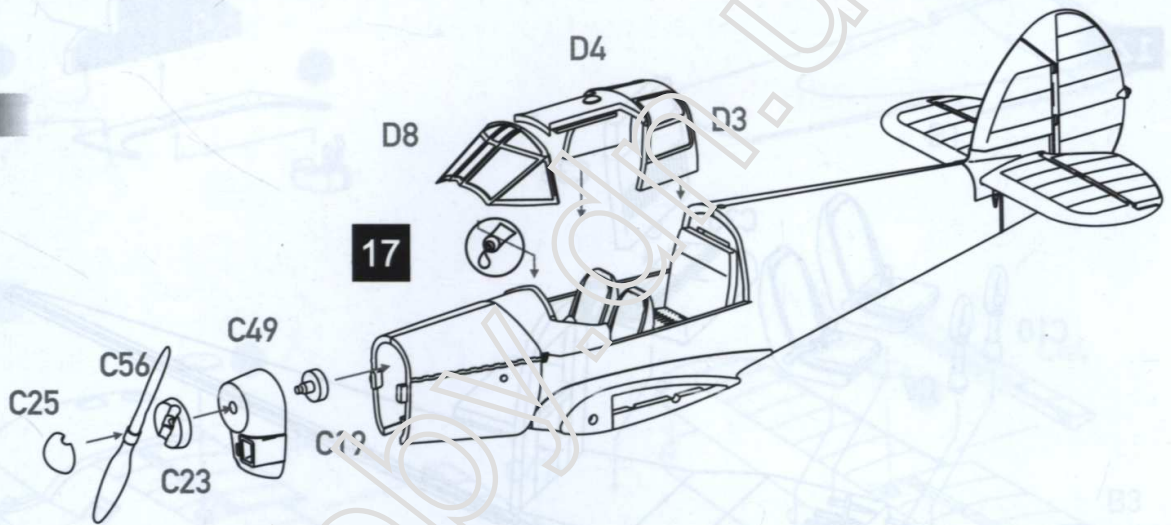




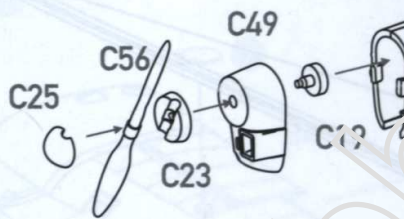
14



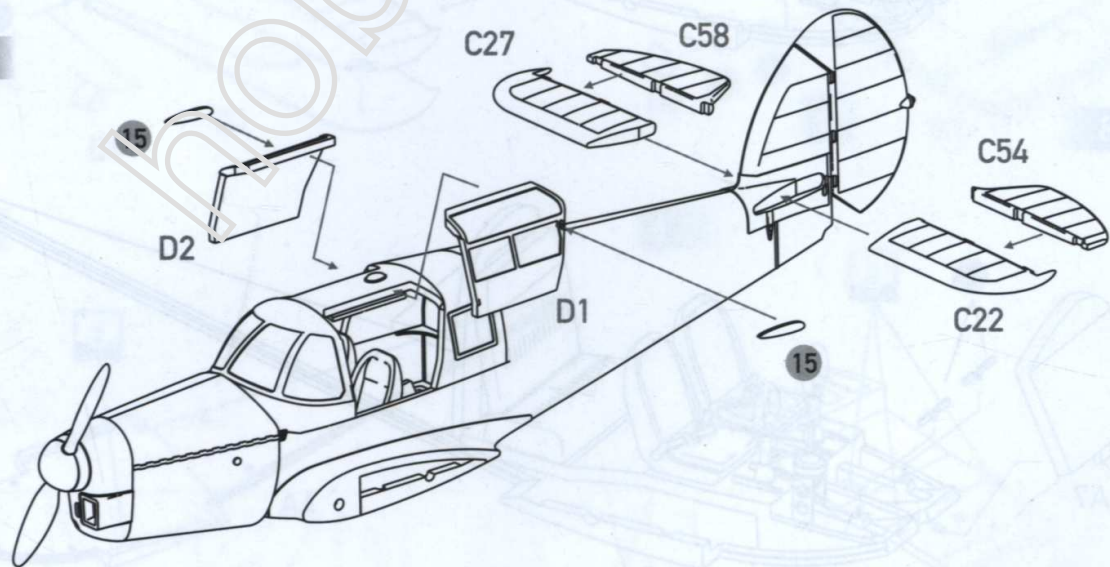
15



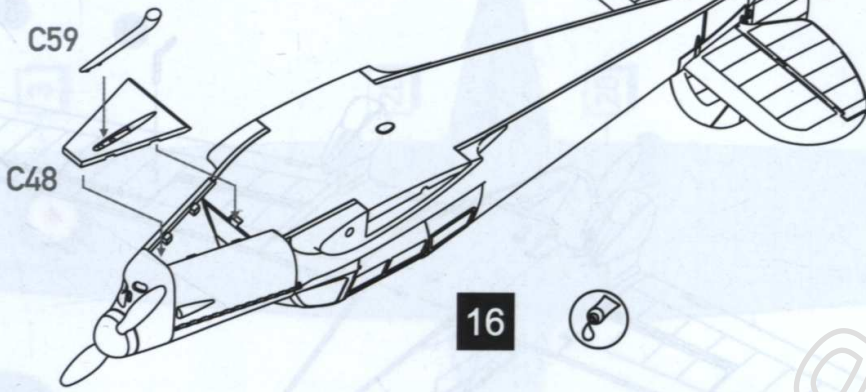
17



16



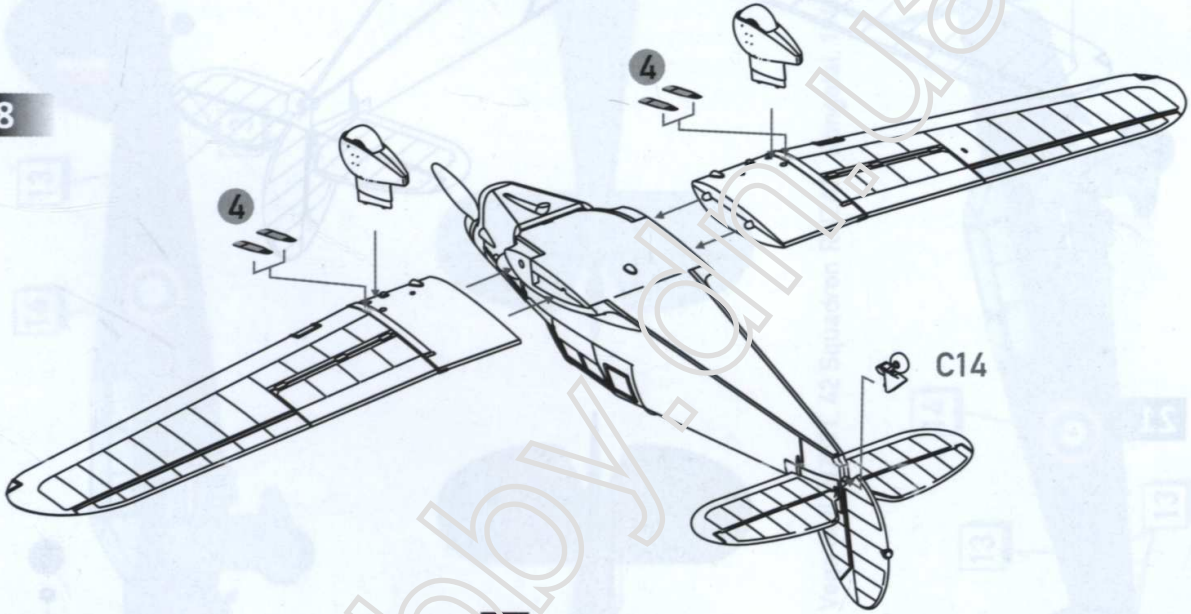
17



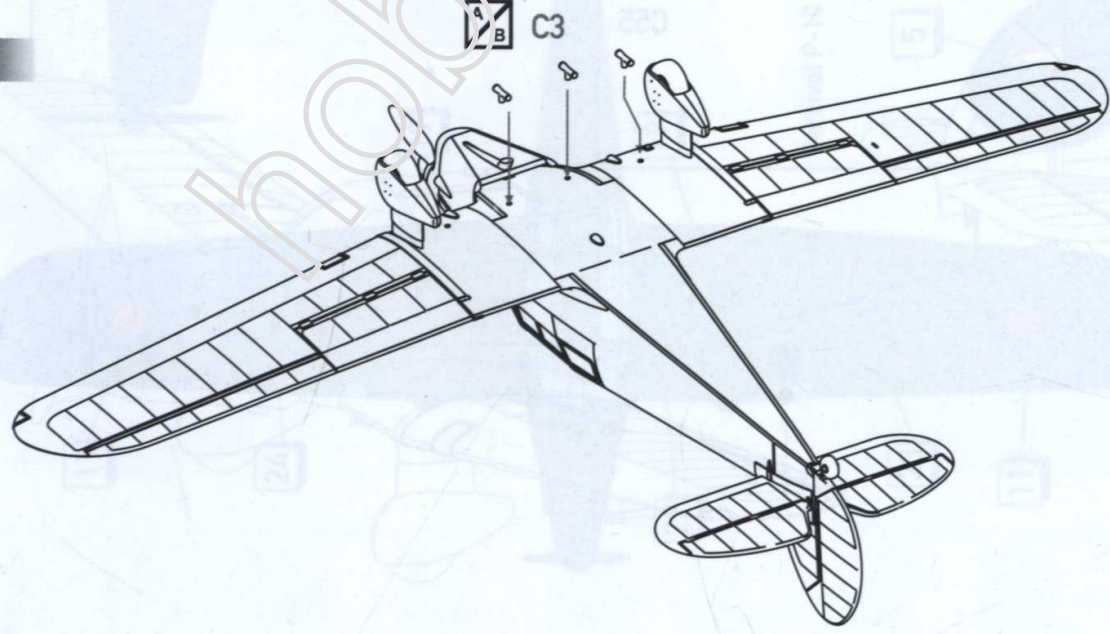
16



18

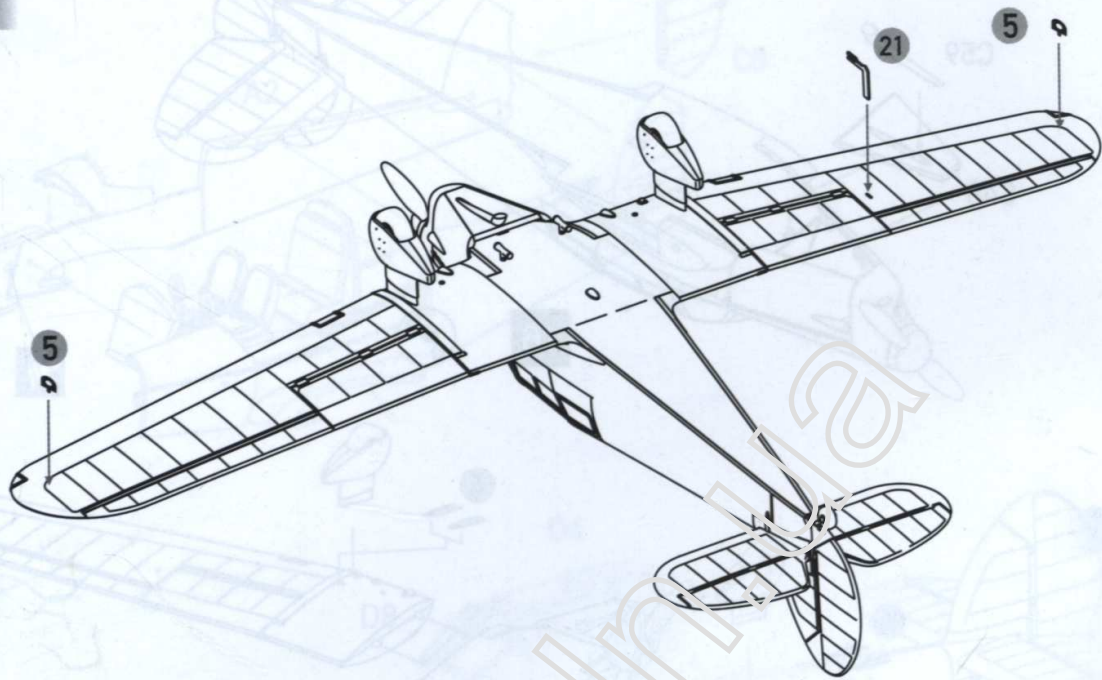


19

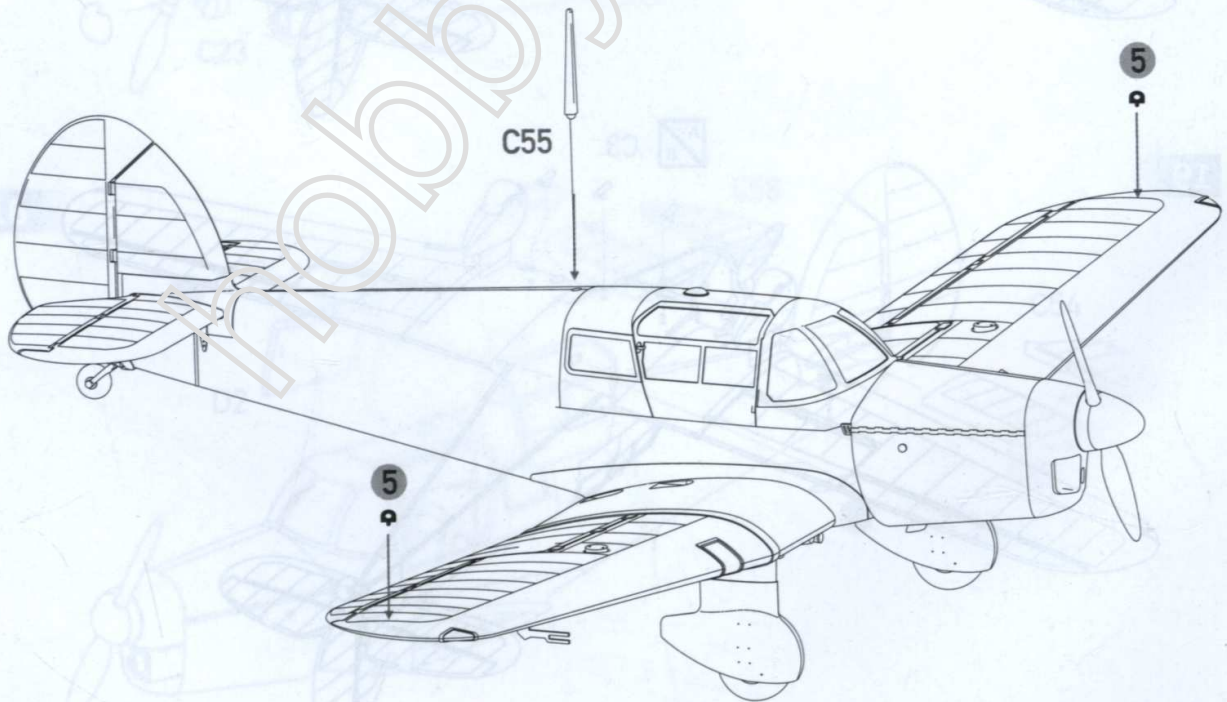


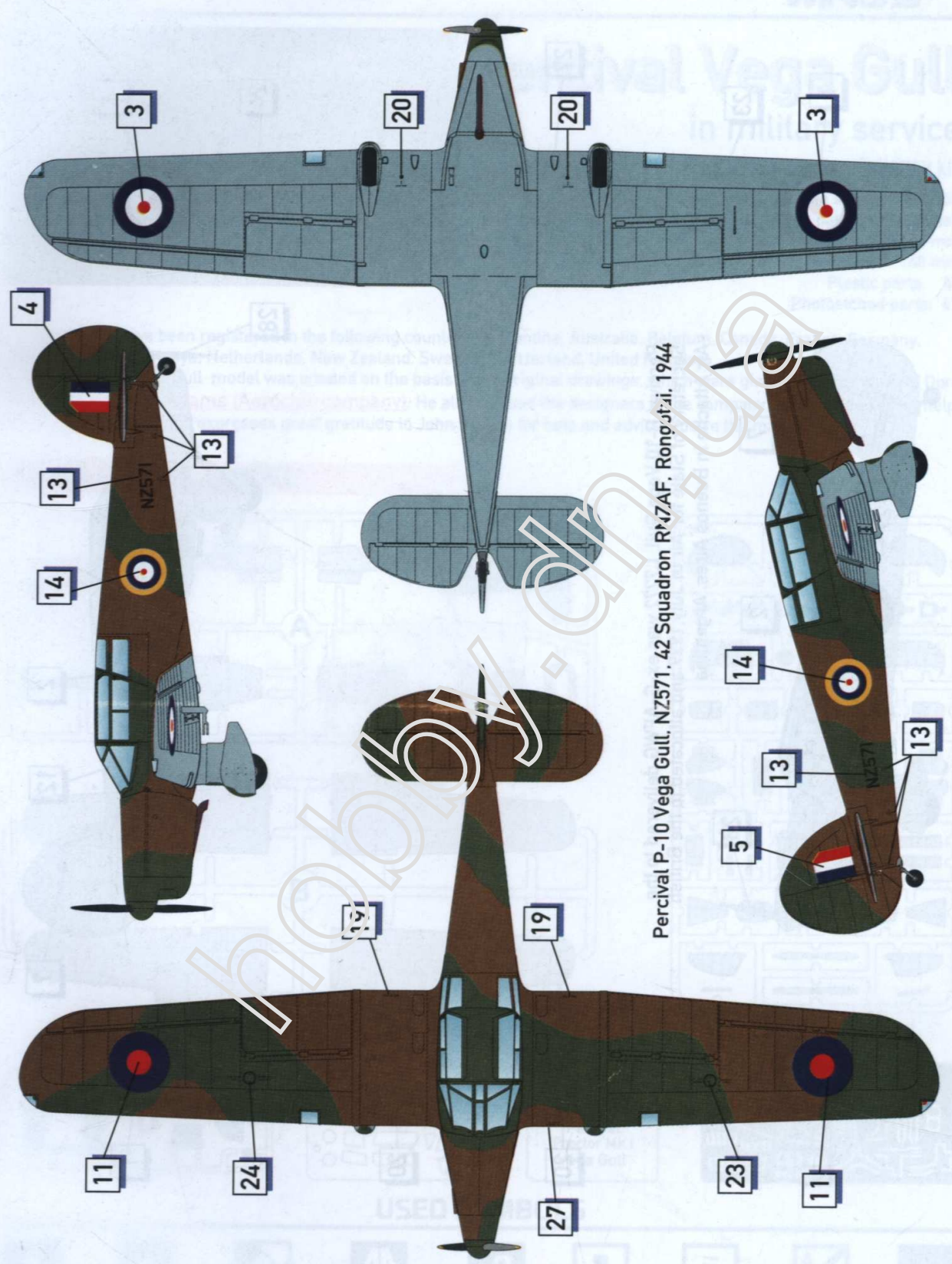


20



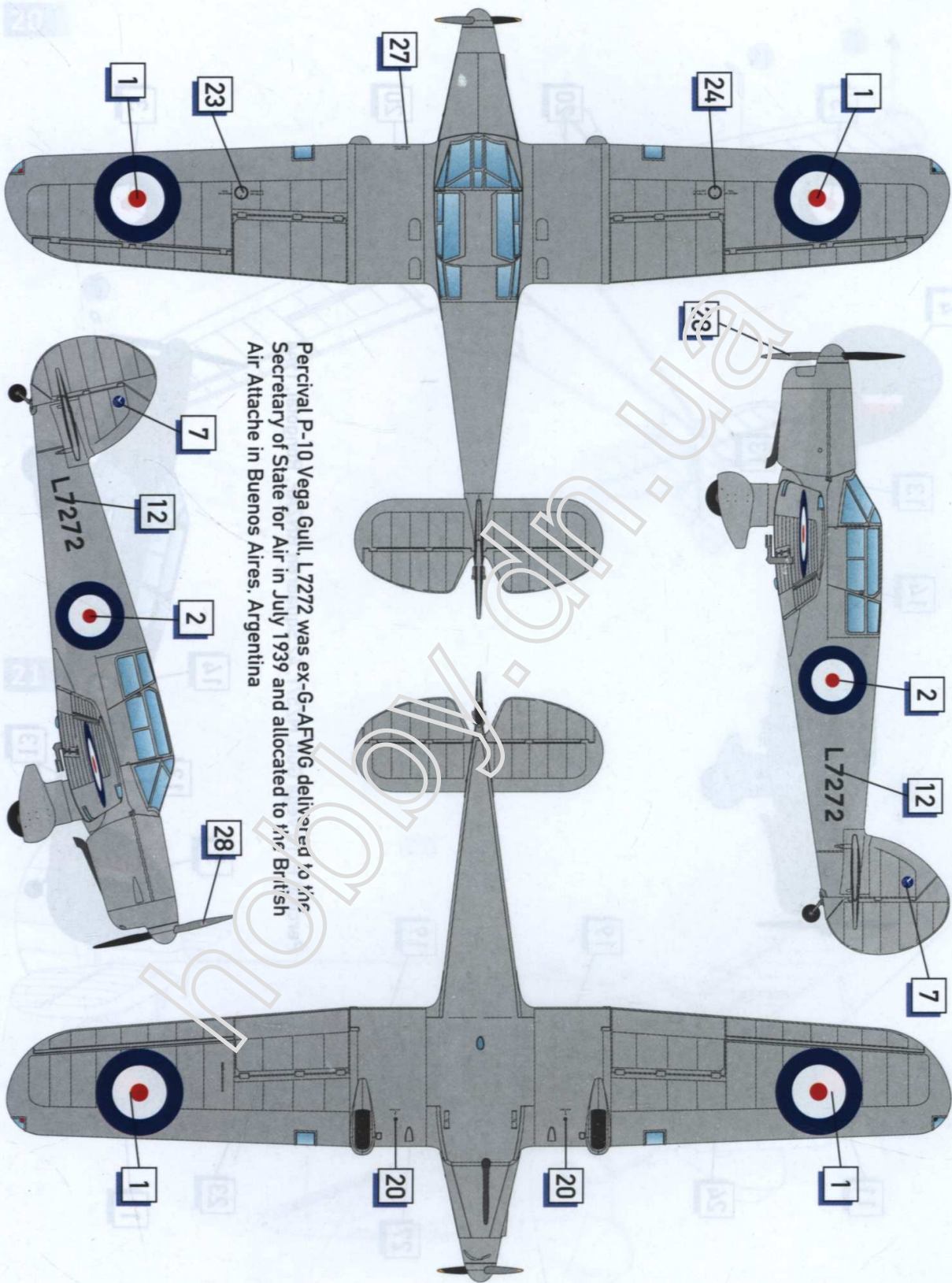
21





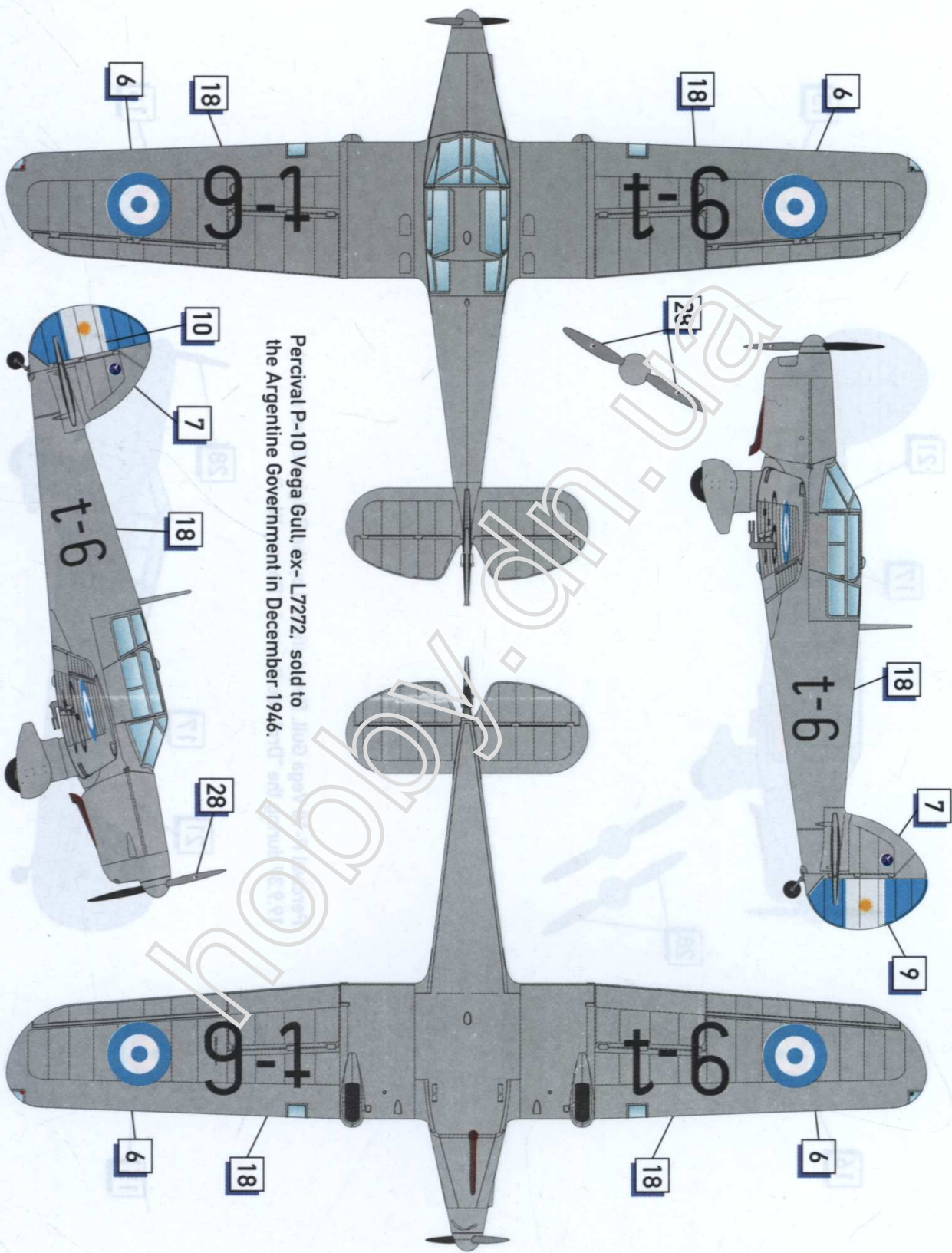
Percival P-10 Vega Gull, NZ571, 42 Squadron RCAF, Ronopitzi, 1944

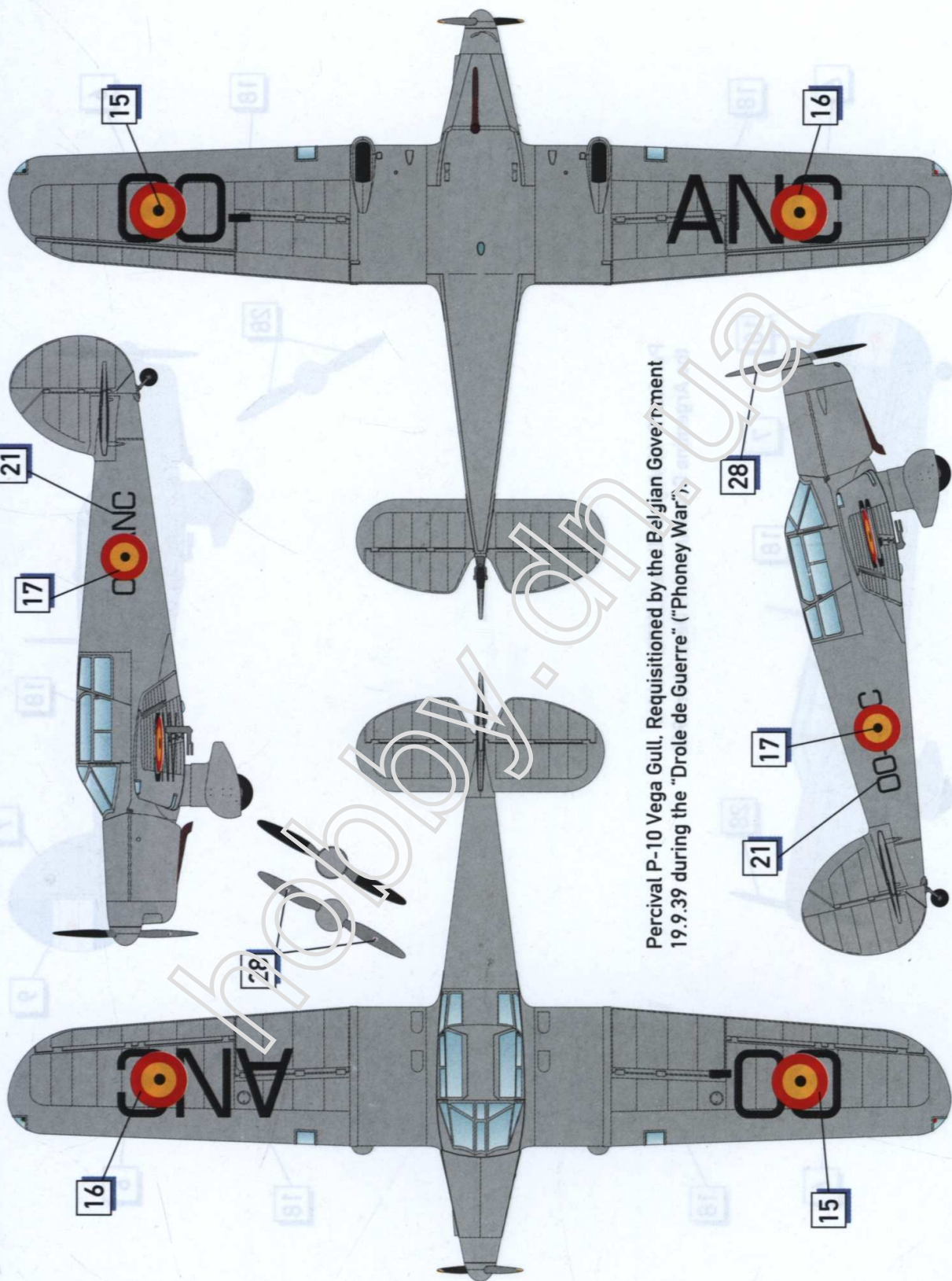




Percival P-10 Vega Gull, L7272 was ex-G-AFWG delivered to the Secretary of State for Air in July 1939 and allocated to the British Air Attache in Buenos Aires, Argentina







Percival P-10 Vega Gull, Requisitioned by the Belgian Government  
19.9.39 during the "Drole de Guerre" ("Phoney War").