



Westland Lysander Mk. III (SD)

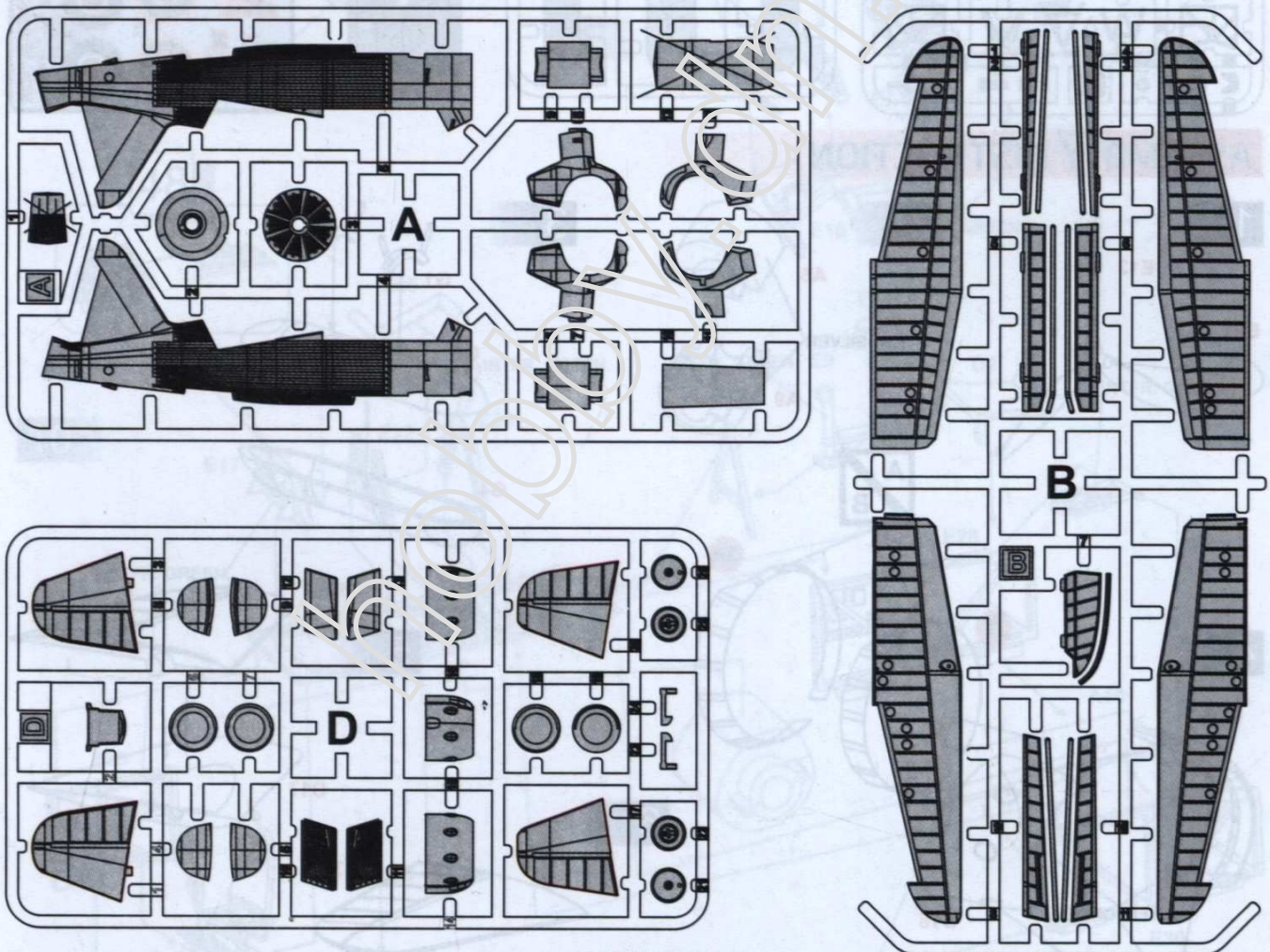
1/72 SCALE MODEL CONSTRUCTION KIT

Ready to assemble scale models kit.
Contains part for one model.
Model length: 129 mm
Wingspan: 230 mm
Plastic parts: 120
Photoetched parts: 17

The Westland Lysander (nickname the "Lizzie") is a British army co-operation and liaison aircraft produced by Westland Aircraft used immediately before and during the Second World War. After becoming obsolete in the army co-operation role, the aircraft's exceptional short-field performance enabled clandestine missions using small, unimproved airstrips behind enemy lines to place or recover agents, particularly in occupied France with the help of the French Resistance. Royal Air Force army co-operation aircraft were named after mythical or historical military leaders; in this case the Spartan admiral Lysander was chosen.

In August 1941 a new squadron, No. 138 (Special Duties), was formed to undertake missions for the Special Operations Executive to maintain contact with the French Resistance. Among its aircraft were Lysander Mk IIIs, which flew over and landed in occupied France. While general supply drops could be left to the rest of No. 138's aircraft, the Lysander could insert and remove agents from the continent or retrieve Allied aircrew who had been shot down over occupied territory and had evaded capture. For this role the Mk IIIs were fitted with a fixed ladder over the port side to hasten access to the rear cockpit and a large drop tank under the belly. In order to slip in unobtrusively Lysanders were painted matte black overall (some early examples had brown/green camouflaged upper surfaces and later examples had grey/green upper surfaces); operations almost always took place within a week of a full moon, as moonlight was essential for navigation.

PARTS OF THE MODEL

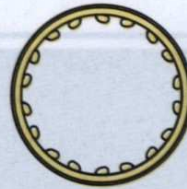


USED SYMBOLS

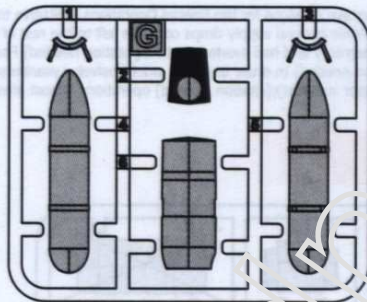
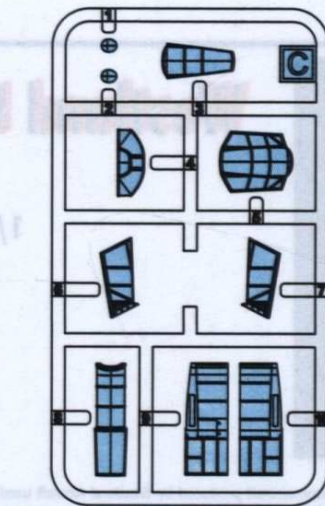
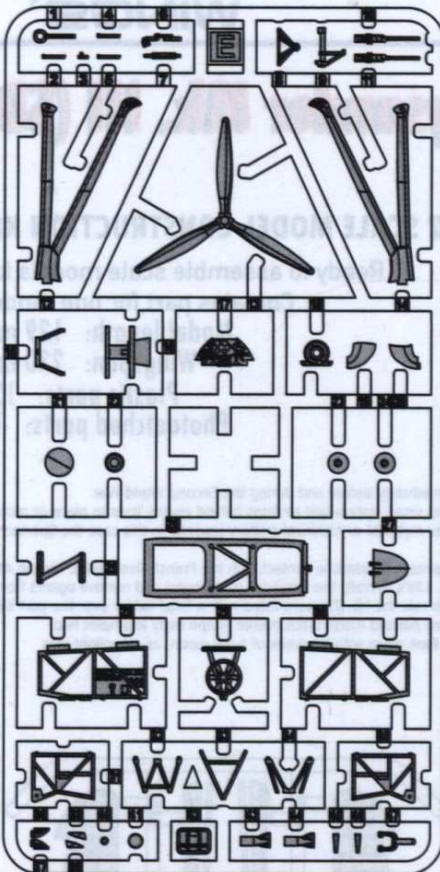
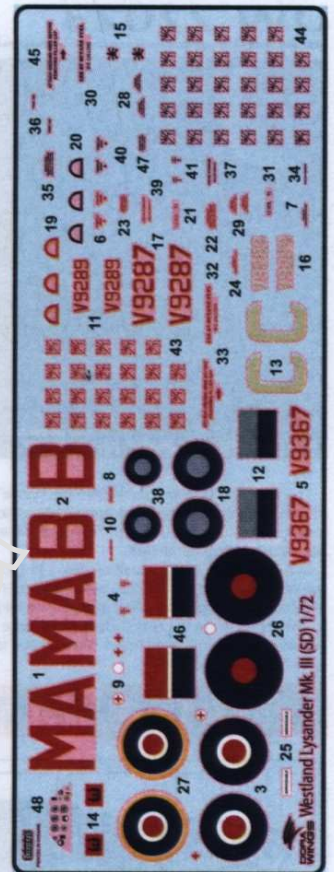
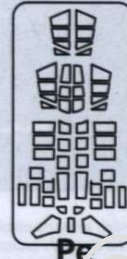


Resin

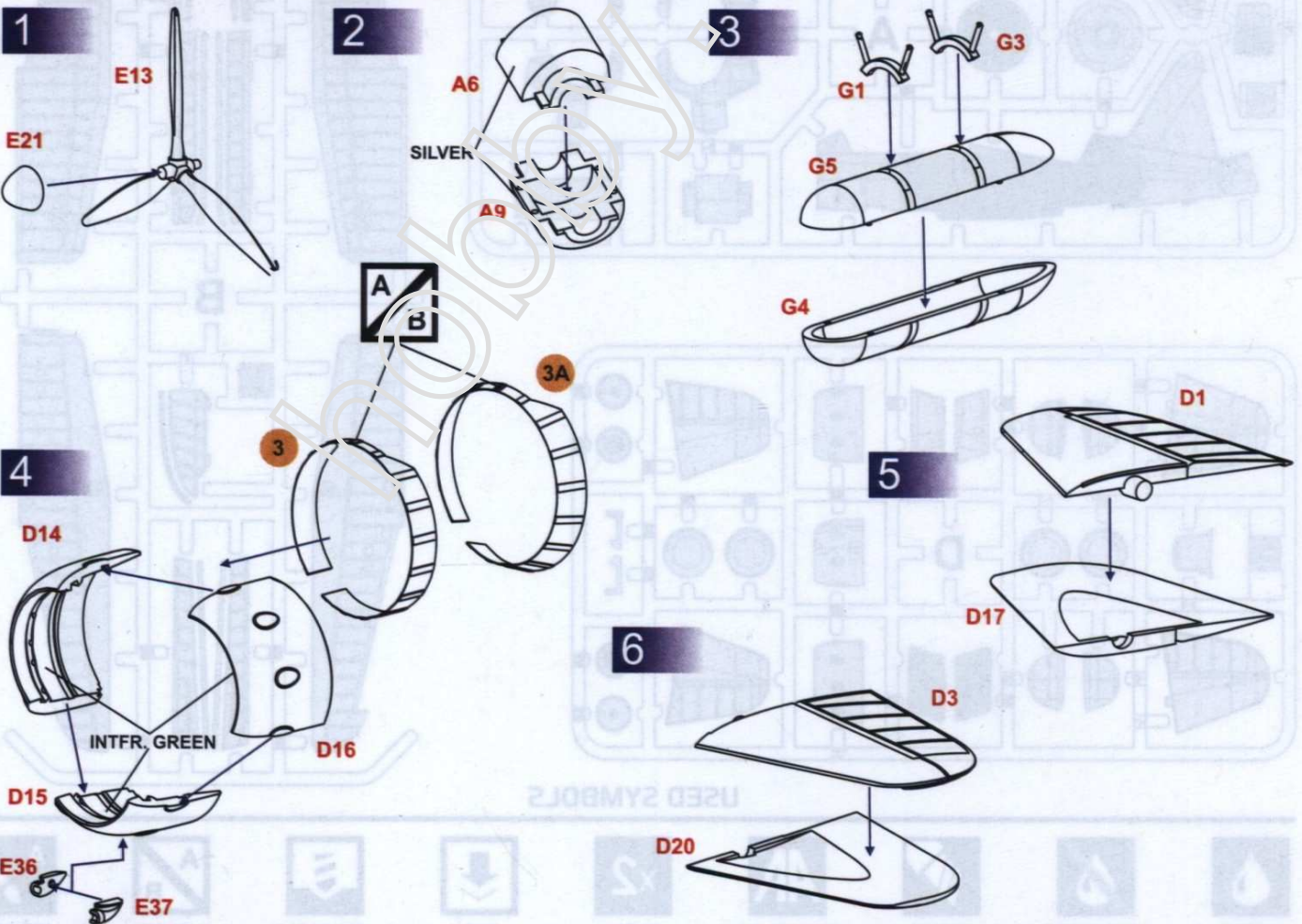
Decal

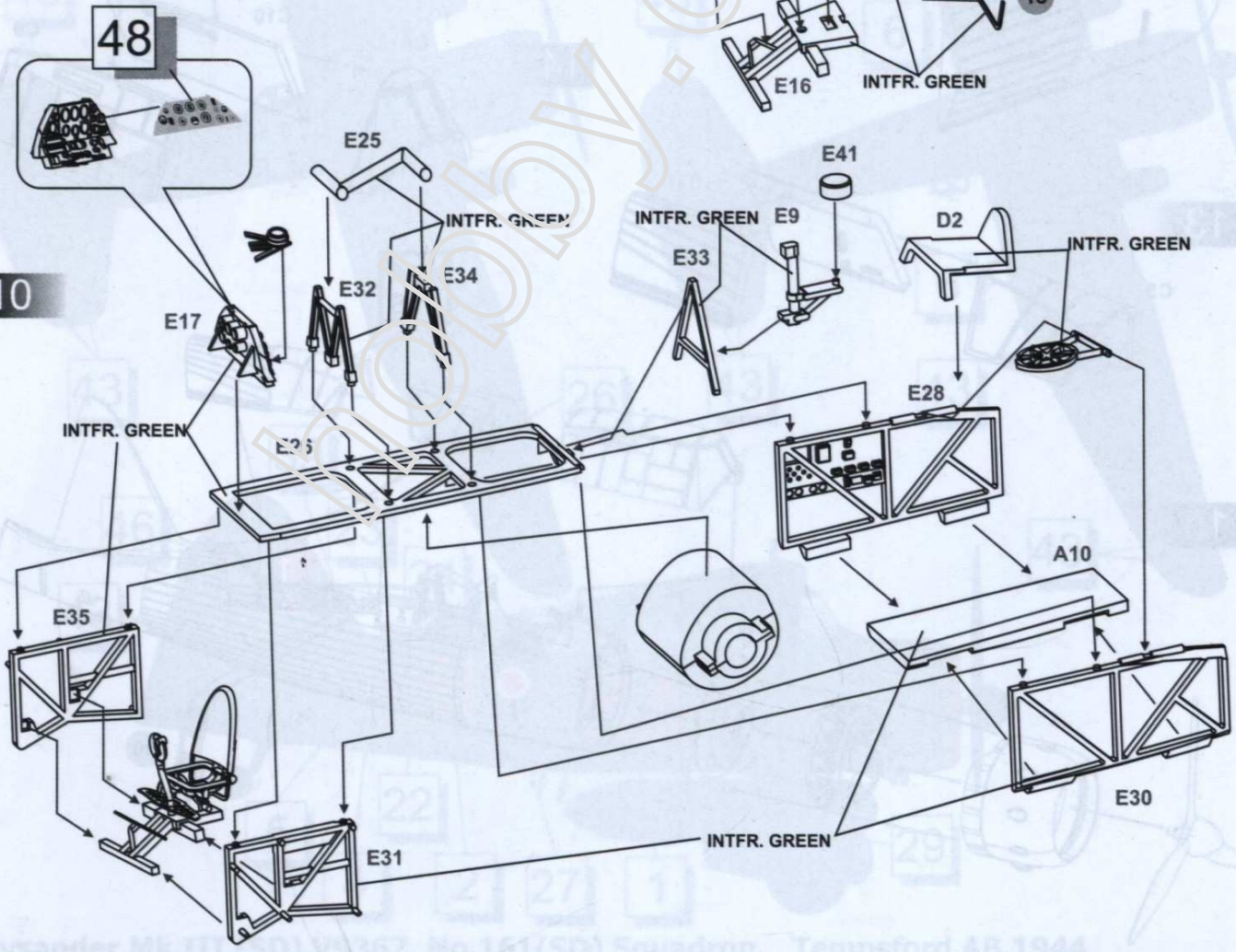
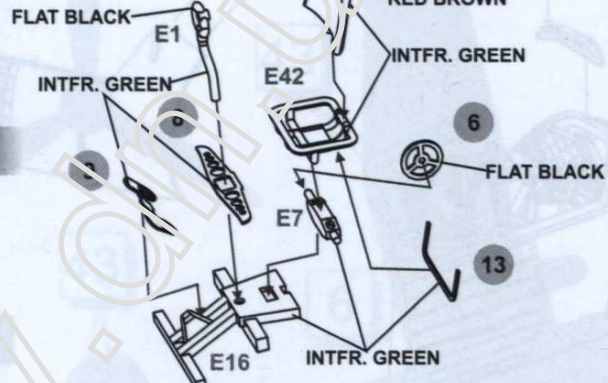
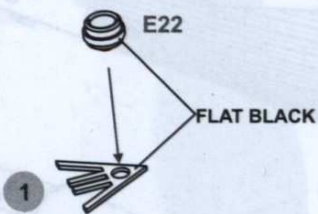
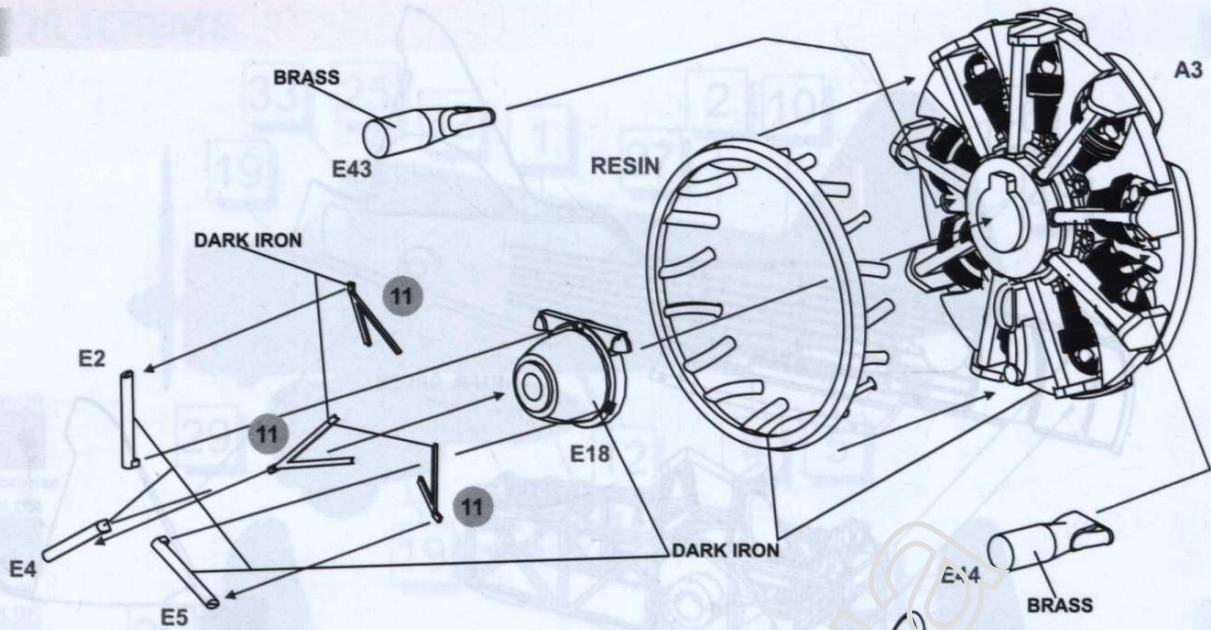


Mask



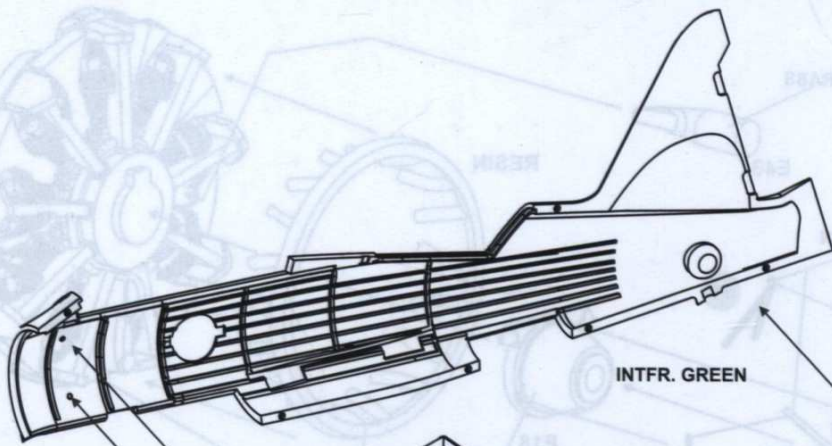
ASSEMBLY INSTRUCTION



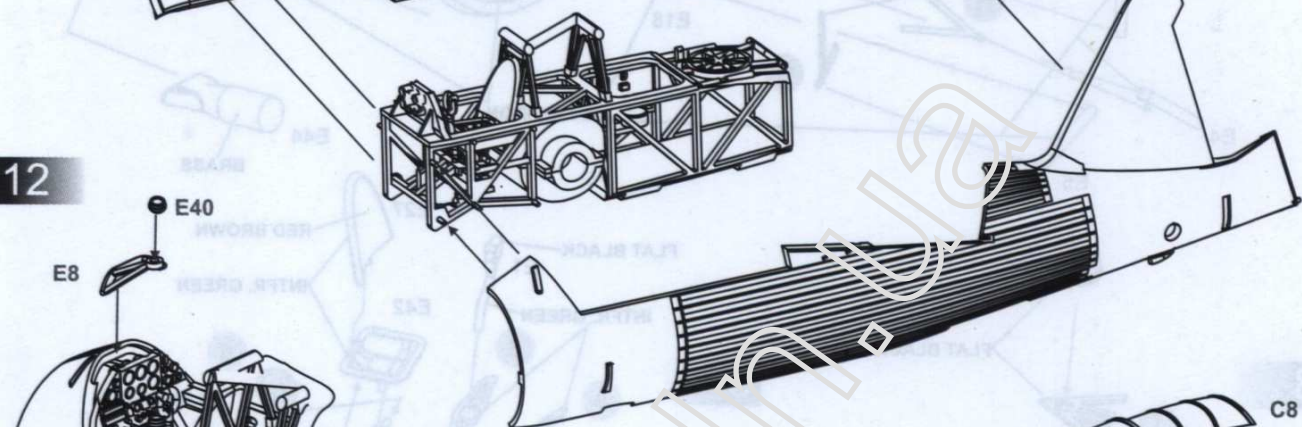


Westland Lysander Mk. III (SD) V1367, No. 161(SD) Squadron, Tempsford AB, 1944

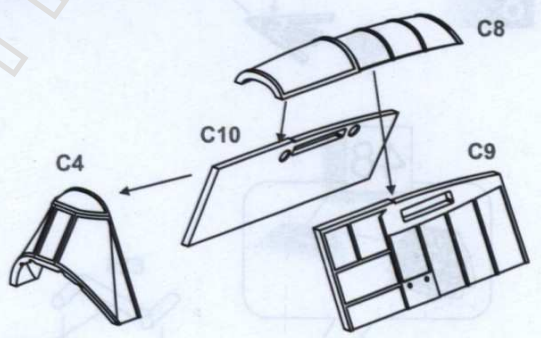
11



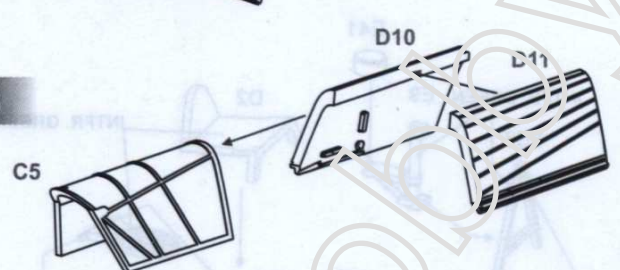
12



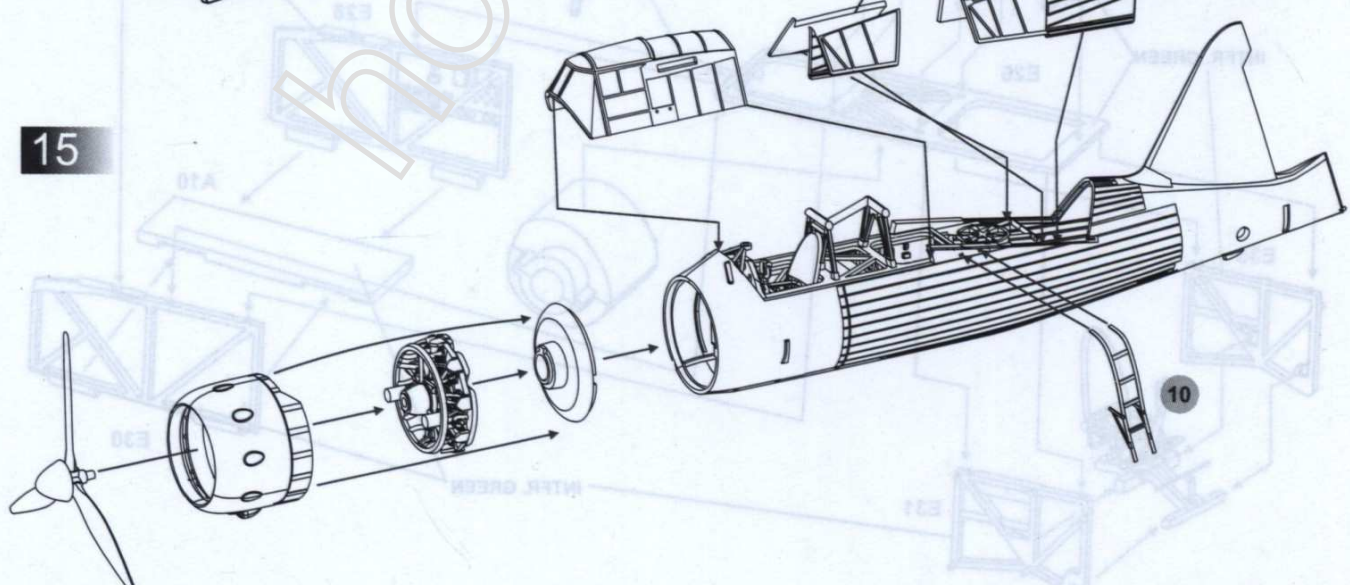
14

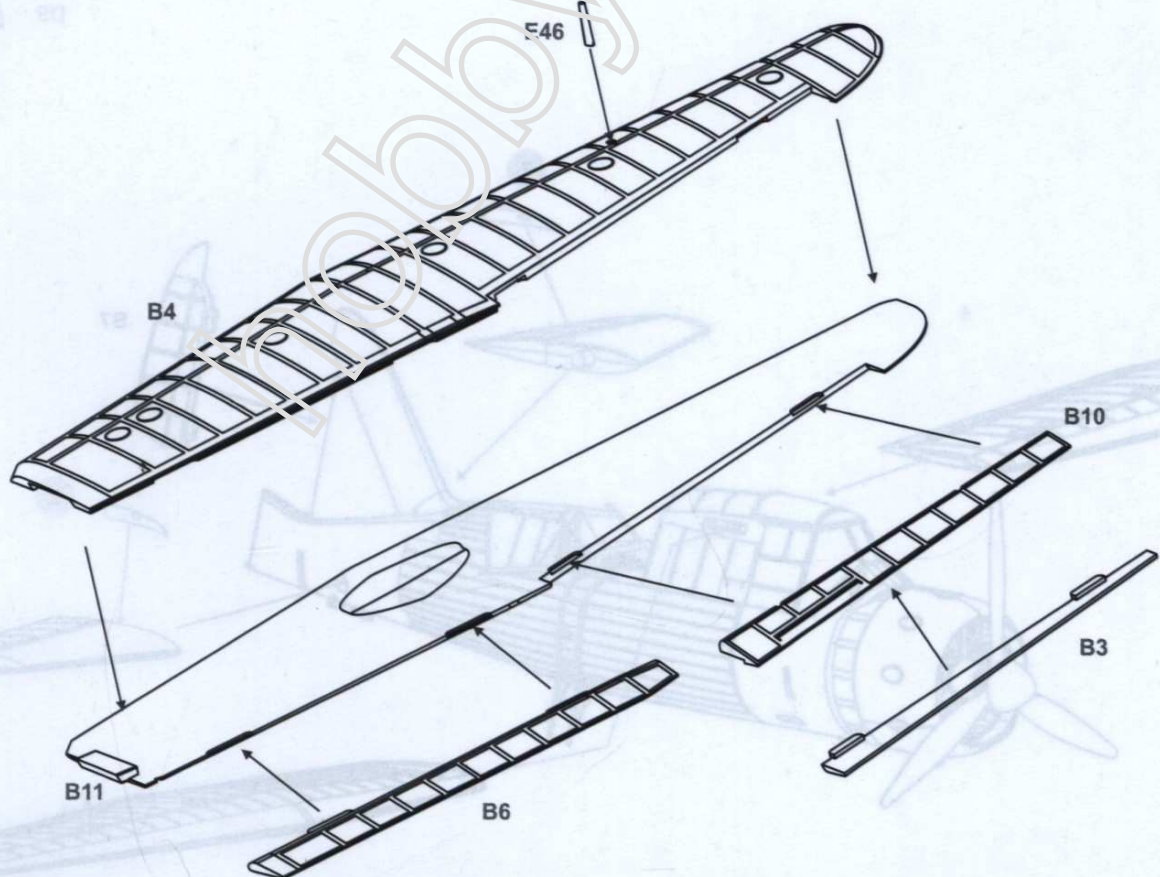
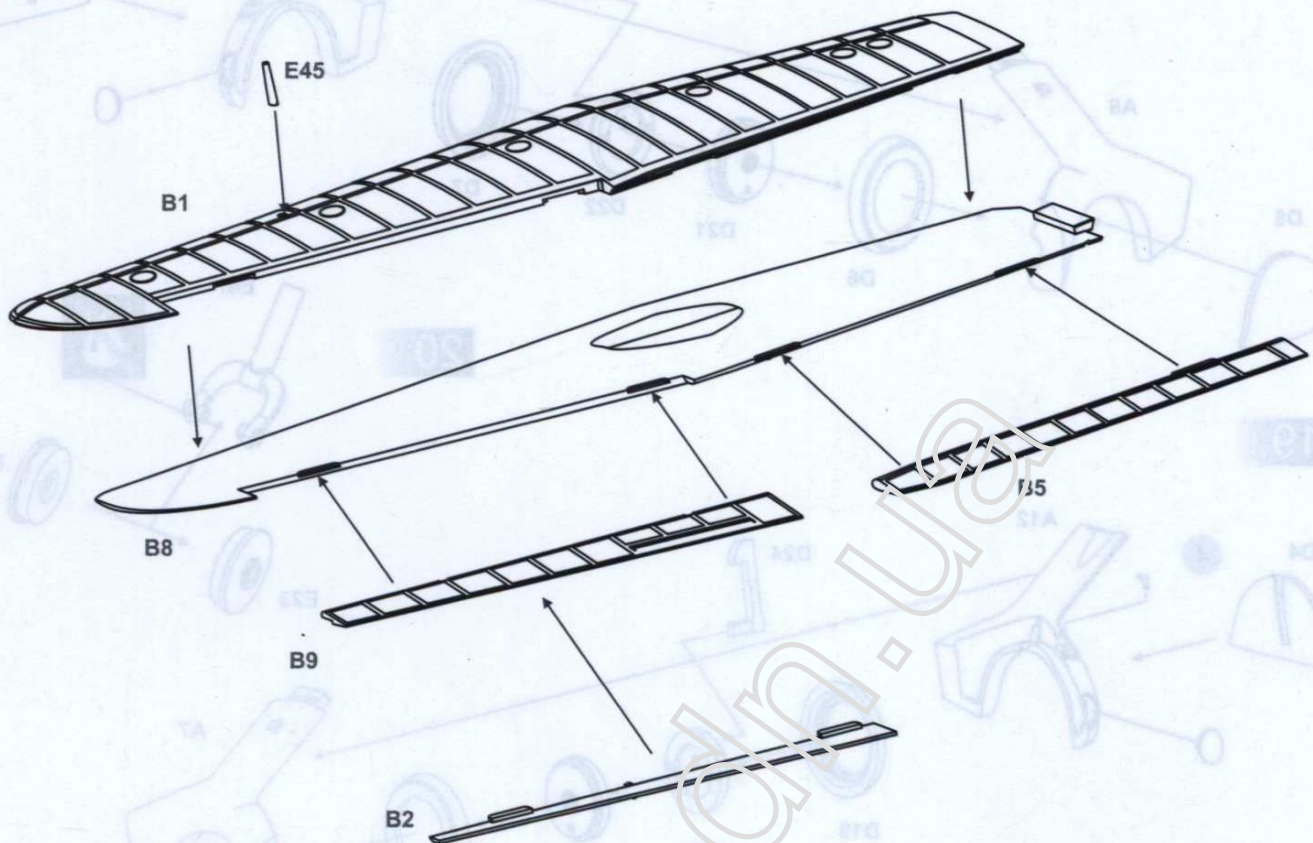


13

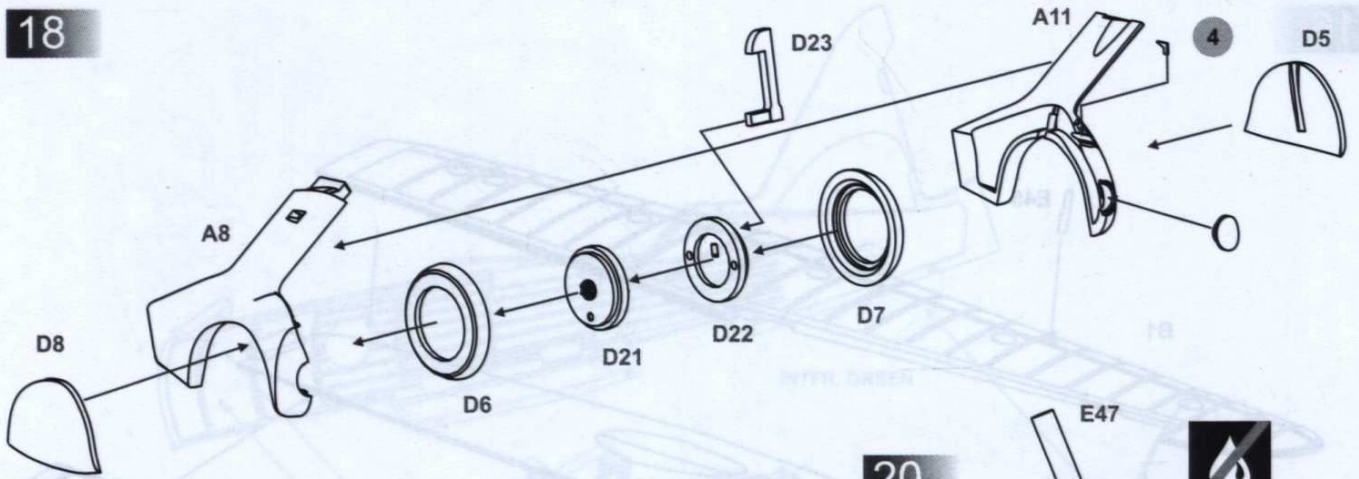


15

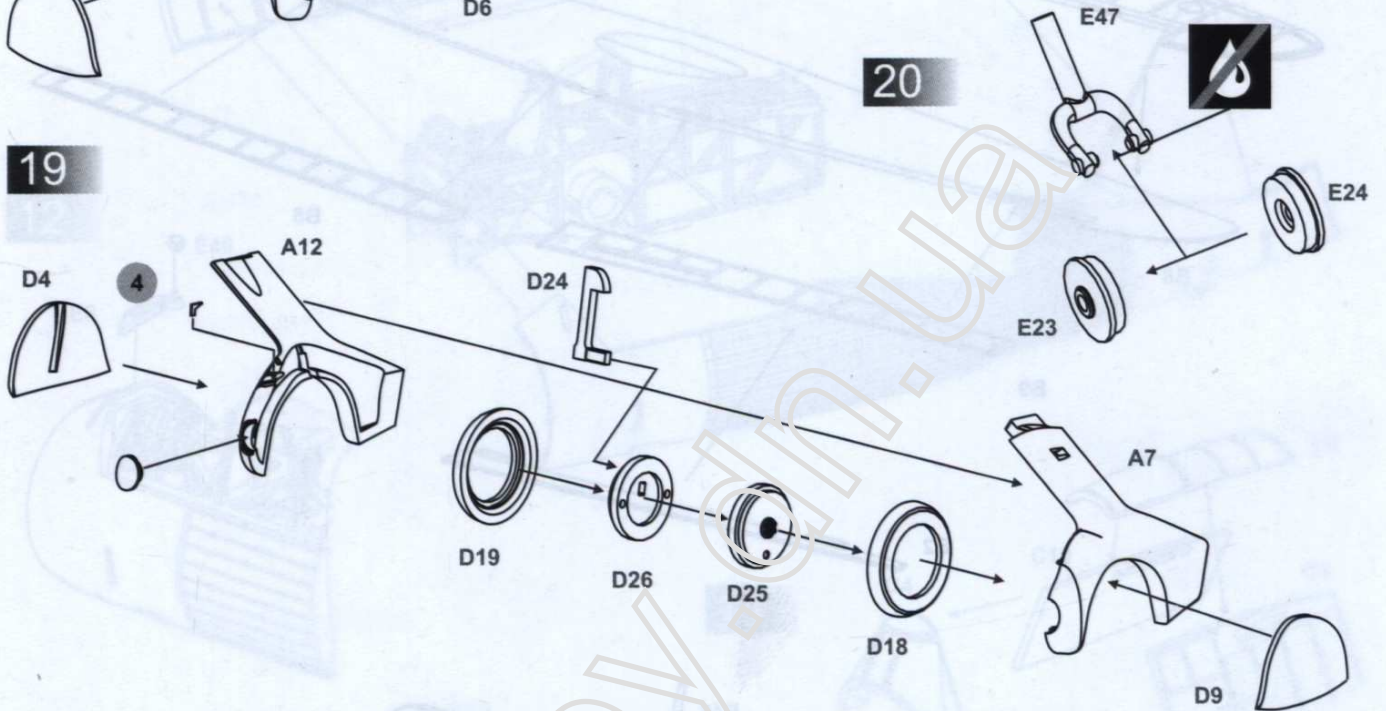




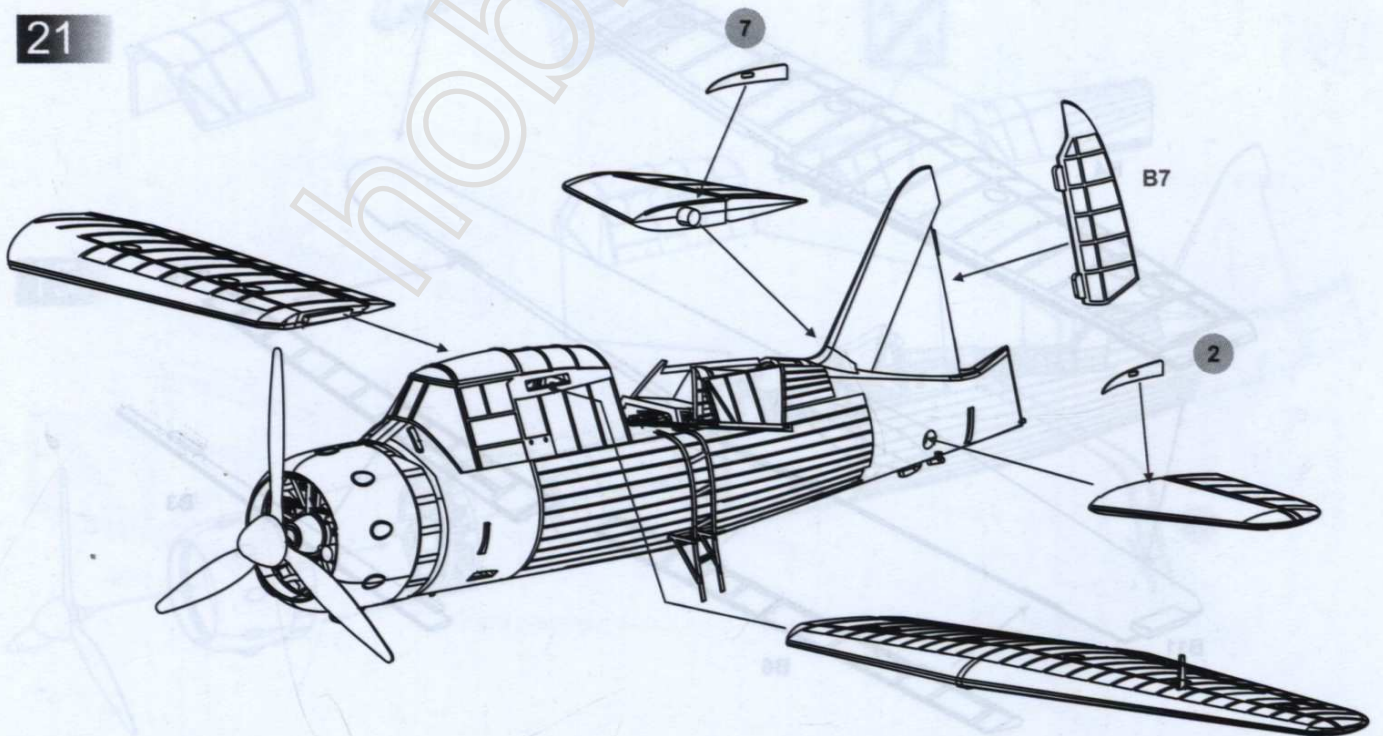
18

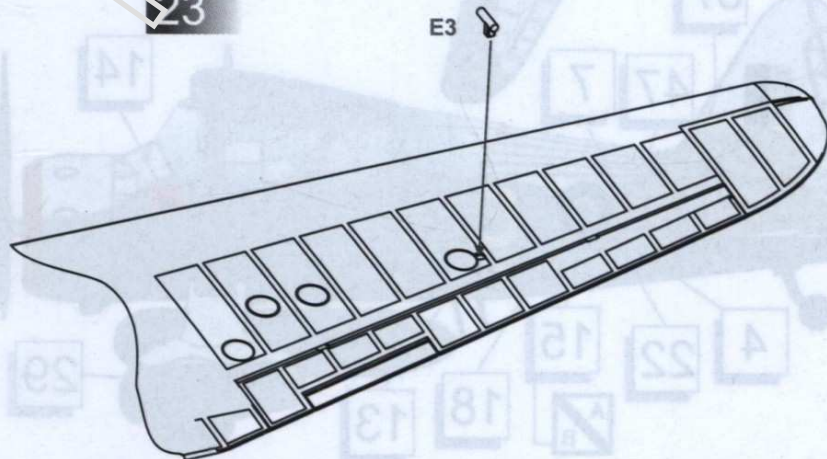
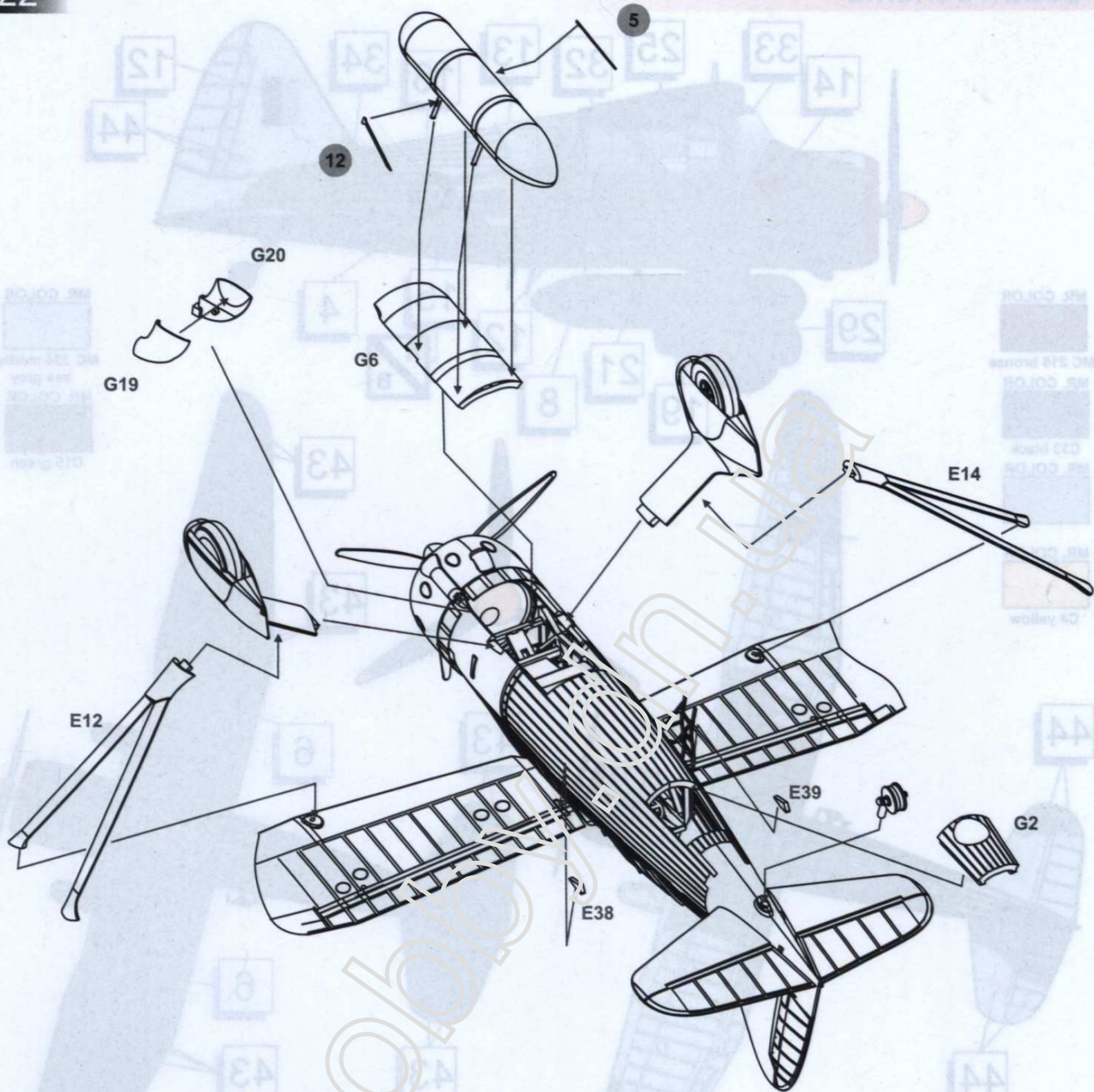


19



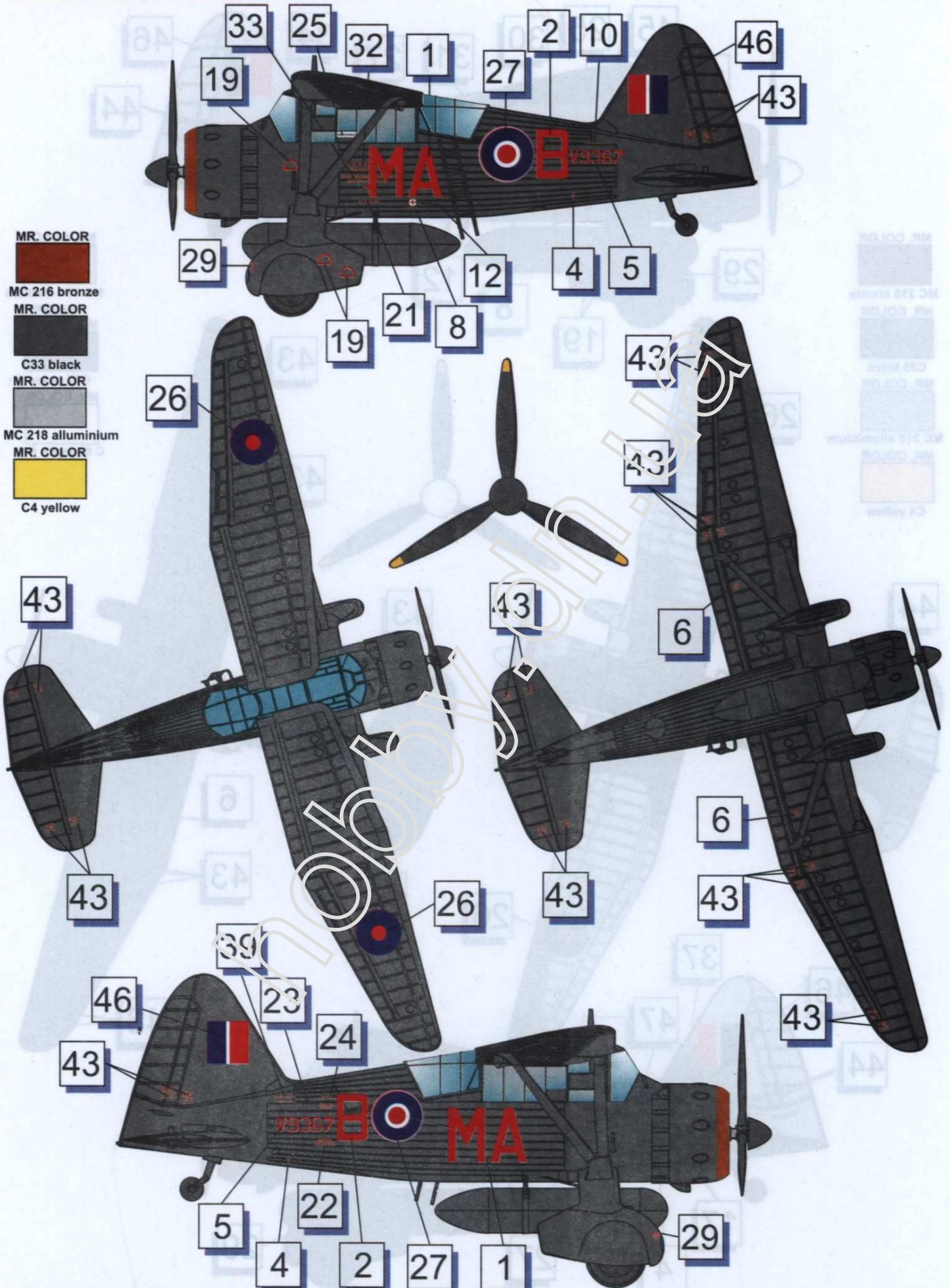
21





COLOR SCHEME

- MR. COLOR MC 216 bronze
- MR. COLOR C33 black
- MR. COLOR MC 218 aluminium
- MR. COLOR C4 yellow



Lysander Mk.III (SD) V9367, No.161(SD) Squadron, Tempsford AB,1944

Westland Lysander Mk. III (SD)

COLOR SCHEME

- MR. COLOR
MC 216 bronze
- MR. COLOR
C33 black
- MR. COLOR
MC 218 aluminium
- MR. COLOR
C4 yellow

- MR. COLOR
MC 334 medium sea grey
- MR. COLOR
C15 green
- MR. COLOR
C 62 white flat



Lysander Mk.III (SD) V9287, No.161(SD) Squadron, Tempsford AB,1942