

1/48 SCALE L4809 VT-6 AT WAKE ISLAND 1942 DOUGLAS TBD-1 'DEVASTATOR'

G.W.H.™

二战美国海军TBD-1“蹂躏者”型鱼雷攻击机 威克岛 1942



On Feb 1, 1942, the Douglas TBD-1 Devastator of VT-6 on US Navy CV-6 Enterprise attacked the port and IJN vessels in Kwajalein Island. Due reliability issues of the MK XIII torpedo, the attacks were not very successful. In the first action, an armed tug and several cargo vessels were sunk while no TBD-1 of VT-6 was shot down. Through the baptism of fire, especially the Pearl Harbor Attack, the US Navy knew what halfway action meant. VT-6 started again soon after they had returned to the carrier, their armament now changed to 500lb bombs. The second attack destroyed the airport and tank farm thoroughly.

On Feb 24, 1942, VT-6 on USN Enterprise attacked Wake Island which had just been occupied by the Japanese. The TBD was used as a level bomber during the raid. Its standard armament for bombing mission was two 500 pound bombs. On March 4th they also attacked Marcus Island. One of the biggest actions were the raids against Lea and Salamaua in New Guinea.

1942年的2月1日，“企业”号搭载的VT-6中队的TBD-1型“蹂躏者”鱼雷攻击机攻击了卡瓦加雷（Kwajalein）岛上的港口和其中的日本舰船，遗憾的是，由于MKXIII鱼雷在实战中很不可靠，这两次袭击都算不上完美。

在对卡瓦加雷的首次攻击中，VT-6击沉了一艘武装拖轮和几艘货轮，全身而退。通过珍珠港事件的洗礼美国人认识到了不彻底的攻击意味着什么，于是，VT-6中队的TBD刚回到母舰，便又挂上500磅的炸弹再次出击，把岛上的机场和油库炸了个稀巴烂。

1942年2月24日，“企业”号上的VT-6中队又袭击了被日军占领的威克岛（Wake），威克岛战役中TBD-1型“蹂躏者”鱼雷攻击机被作为水平轰炸机使用，携带2枚500磅炸弹。随后又于3月4日攻击了马库斯（Marcus）

岛。不过规模最大的还是对新几内亚的莱城和萨拉马鲁进行的攻击行动。

Even though the performance of the TBD-1 in actual combat was below expectations, its meritorious service in several operations could not be ignored. By August 1944, no TBD-1 was left in the US Navy inventory. The last Devastator in the U.S. Navy was used by the Commander of Fleet Air Activities-West Coast until being scrapped in November 1944.

Length: 10.67 m Wingspan: 15.24 m Height: 4.59 m Empty weight: 2,804 kg
Powerplant: 1 × Pratt & Whitney R-1830-64 Twin Wasp radial engine, 900 hp (672 kW) Maximum speed: 322 km/h Cruise speed: 128 mph (111 knots, 206 km/h) Service ceiling: 5,945 m Armament: 1 × forward-firing 0.30 in (7.62 mm) or 0.50 (12.7 mm) machine gun 1 × 0.30 in (7.62 mm) machine gun in rear cockpit Bombs: 2 × 500 lb (227 kg) bombs or incendiary bombs (VT-6, act as level bomber)

TBD-1型“蹂躏者”鱼雷攻击机作为那个时代设计理念较先进的战斗机，尽管在实战中的表现不尽人意，但是在历次参展的表现不容忽视。直到1944年8月退出服役。最后一架“蹂躏者”服务于西海岸的舰队航空行动处，1944年11月才最终除役解体，为TBD六年的戎马生涯画上了一个句号。

翼展：15.24m 机长：10.69m 机高：4.59m 空重：2804kg
发动机：普惠R-1830-64复列星型14缸空冷发动机 最高时速：322km
实用升限：5945m 装备武器：前后各一挺.30机枪 挂载武器：500磅炸弹2枚 或 500磅燃烧弹2枚（VT-6中队）

△注意:

1. 勿於近火處使用膠水或油漆，並打開窗戶保持空氣流通。
2. 塗料的號碼請參考本欄以下的說明。本品本身不包括膠水和塗料。
3. 自膠架中取出部件時，應用模型專用剪，並用介刀或小挫除去多餘膠料。
4. 各圖形的含義可參考本欄以下的說明。

△CAUTION:

1. When you use glue or paint, do not use near a open flame, and use in a well-ventilated room.
2. See below for the color list. Glue and paint are not included in this kit.
3. When you take parts off the runner frame, use the modeling scissors and trim excess plastic with a cutter or a file.
4. See below for the meaning of symbols.

組み立ての注意:

1. 接着剤や塗料は火の近くで使わないで下さい、使用の際は換気をよくして下さい。
2. 塗料指定のは下記のとおりです、接着剤や塗料は入っていませんので別に求めて下さい。
3. 部品のランナーから切り離す時は模型用ハサミ等を使い、余分な部分はカッターやヤスリ等で仕上げして下さい。
4. 組立図のサインマークは下の説明を御覧下さい。



Fill hole
填平
穴を埋めて下さい



Apply decal
水印贴纸
デカールを貼って下さい



Cut off
切除
切り取って下さい



Cement
胶水
接着して下さい



Open hole
钻孔
穴をあけて下さい



Do the same on the opposite
另一側相同制作
反対側も取り付けます



Bend
弯折
折り曲げて下さい



Make two sets
制作二组
2個作って下さい



No cement
不用胶水
接着しないで下さい



Instant glue for metal
瞬間胶
瞬間接着剤(金属用)

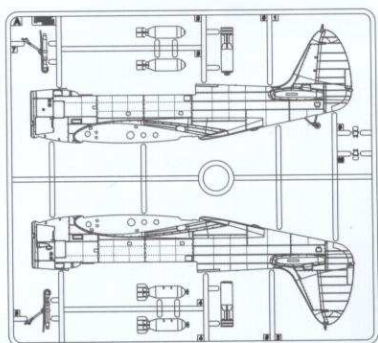


Optional
选择使用
どちらかを選んで下さい

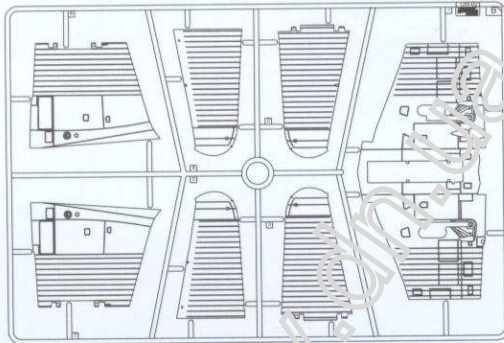


Be careful
注意
注意して下さい

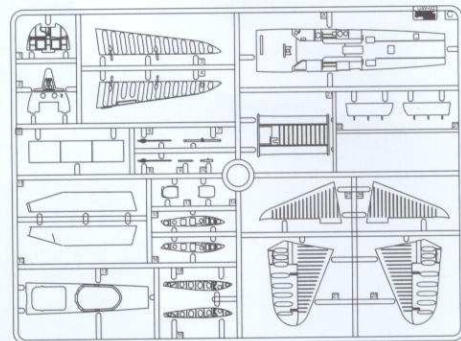
A PARTS×1



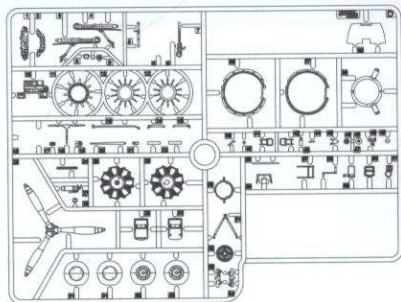
B PARTS×1



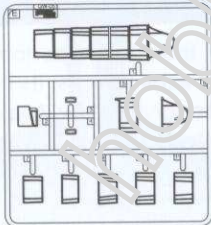
C PARTS×1



D PARTS×1



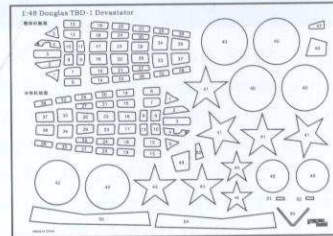
E PARTS×1



DE PARTS×1



FE PARTS×1



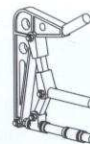
PE PARTS×1



F PARTS×1



ME1 PARTS×1



ME2 PARTS×1



C000 GSI CREOS CORP.HOBBY COLOUR

C 3	926	XF-7	红色	Red
C 5	043	XF-8	蓝色	Blue
C 9	996	X-12	金色	Gold
C 13	050	XF-53	中灰	Neutral Gray
C 28	863	X-10	枪铁色	Steel
C 42	983	XF-64	深棕色	Mahogany
C 58	991	XF-14	橙黄	Orange Yellow
C 92	057	X-18	半光黑	Semi Gloss Black
C 218			铝色	Aluminium
C 338	050	AS-7	浅灰	Light Gray FS36495

000 VALLEJO

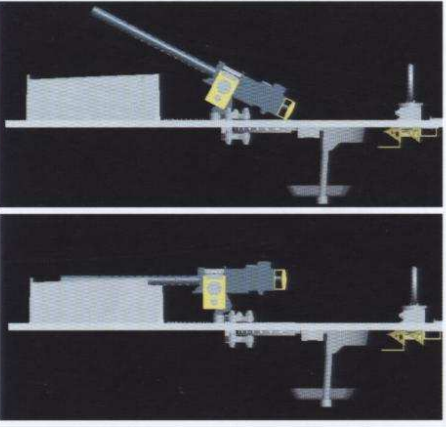
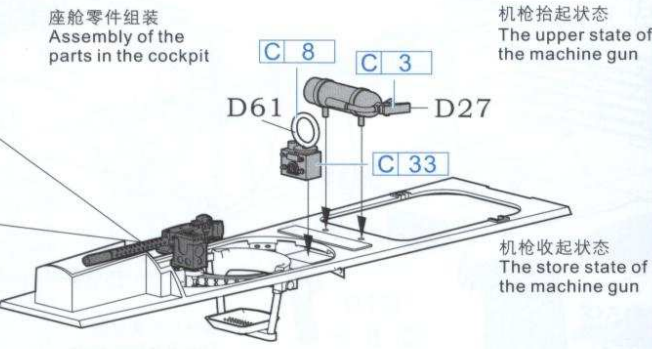
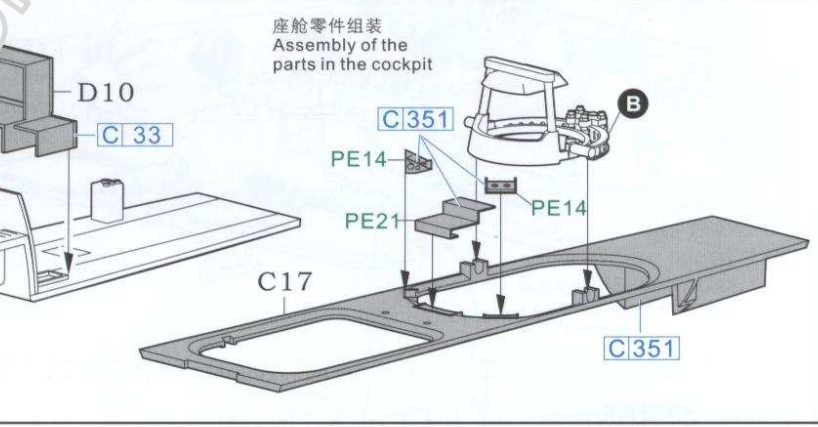
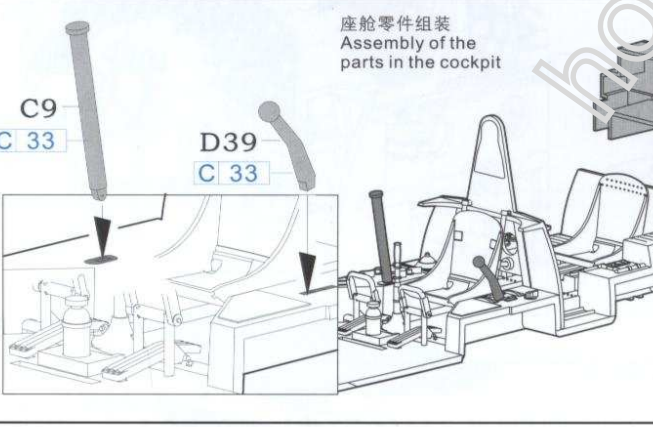
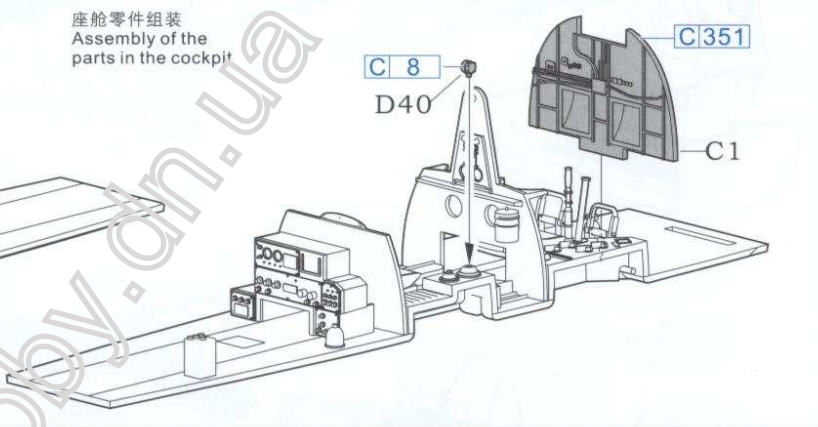
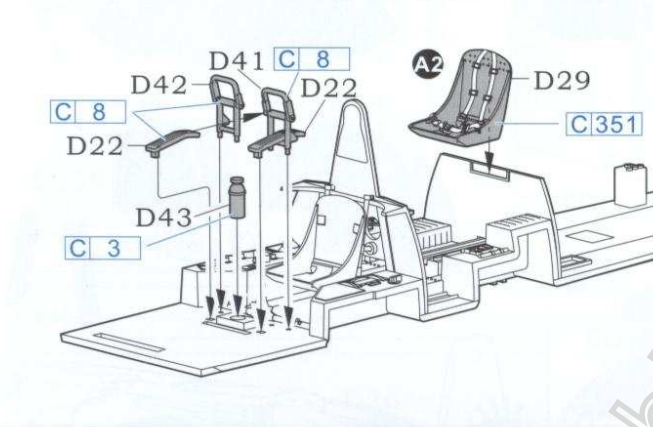
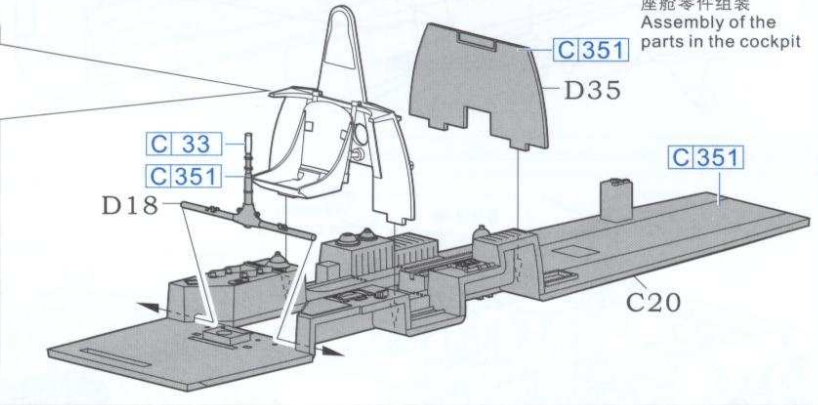
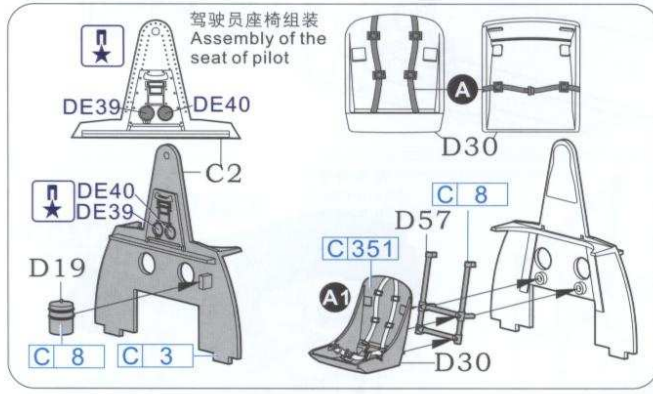
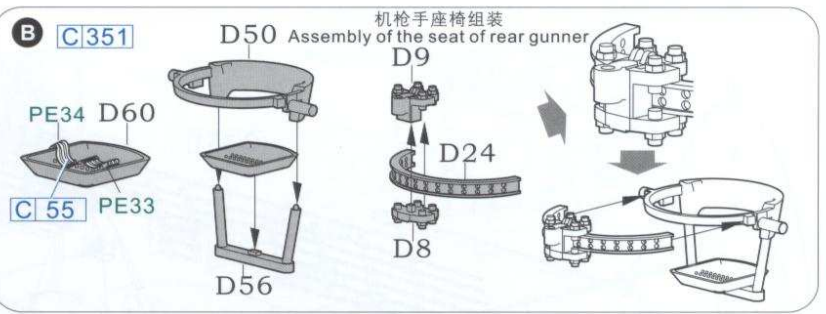
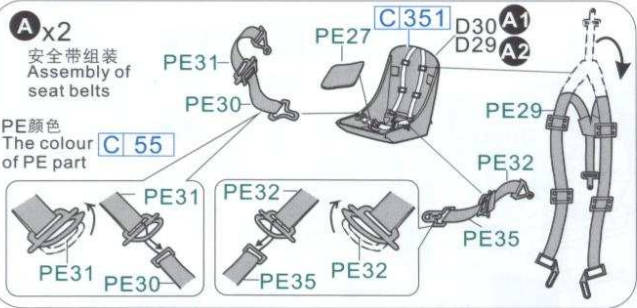
C 4	915	XF-3	黄色	Yellow
C 8	997	X-11	银色	Silver
C 12	889	XF-62	橄榄绿1	Olive Drab(1)
C 14	005	AS-8	海军蓝	Navy Blue
C 33	073	XF-1	亚黑色	Flat Black
C 43	828	XF-55	木色	Wood
C 61	865	XF-56	烧铁色	Burnt Iron
C 136			苏军绿	Russian Green(2)
C 324	050	XF-19	浅灰	Light Gray

XF-0

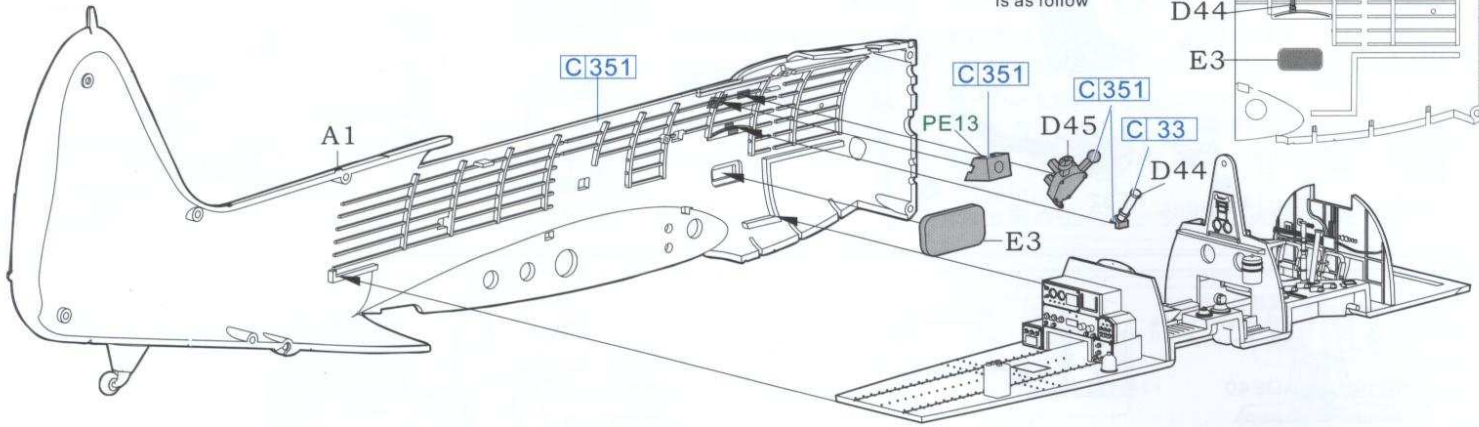
XF-0			黄色	Yellow
XF-0			银色	Silver
XF-0			橄榄绿1	Olive Drab(1)
XF-0			海军蓝	Navy Blue
XF-0			亚黑色	Flat Black
XF-0			木色	Wood
XF-0			烧铁色	Burnt Iron
XF-0			苏军绿	Russian Green(2)
XF-0			浅灰	Light Gray

TAMIYA

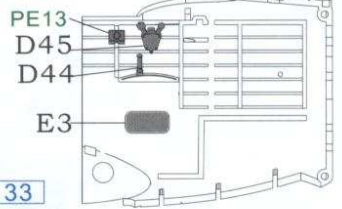
TAMIYA			黄色	Yellow
TAMIYA			银色	Silver
TAMIYA			橄榄绿1	Olive Drab(1)
TAMIYA			海军蓝	Navy Blue
TAMIYA			亚黑色	Flat Black
TAMIYA			木色	Wood
TAMIYA			烧铁色	Burnt Iron
TAMIYA			苏军绿	Russian Green(2)
TAMIYA			浅灰	Light Gray



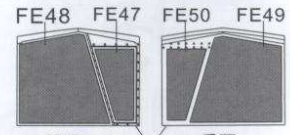
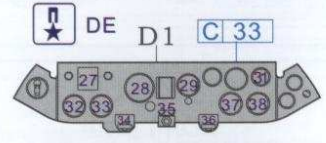
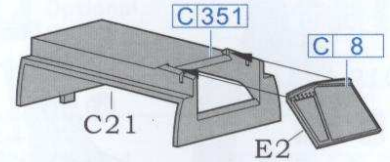
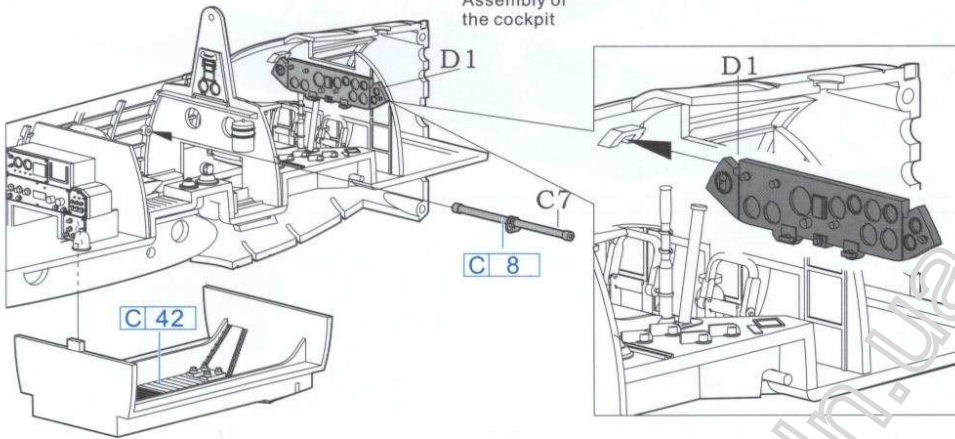
左机体和座舱组装
Assembly of the left fuselage and cockpit



装好后位置如图
The finished state is as follow

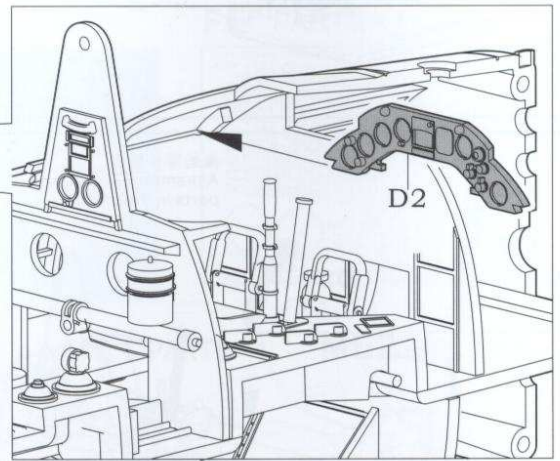
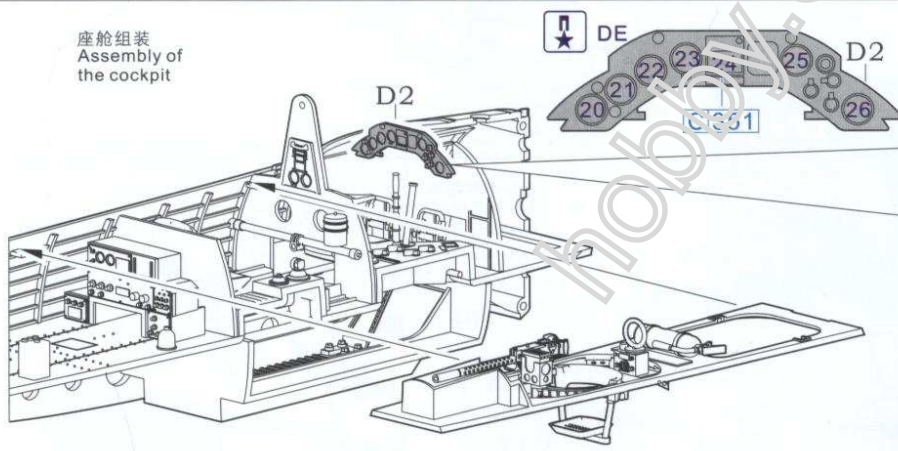


座舱组装
Assembly of the cockpit

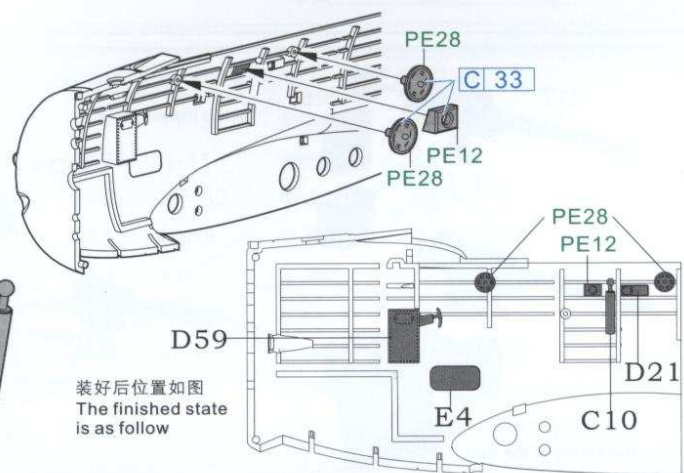
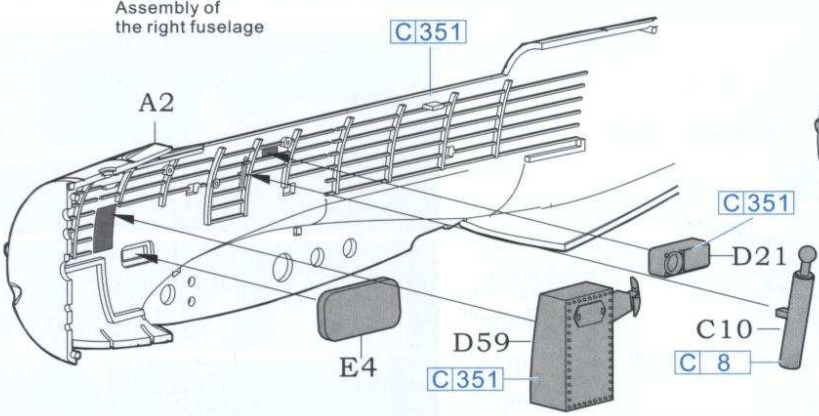


正面 Positive E2 反面 Negative

座舱组装
Assembly of the cockpit

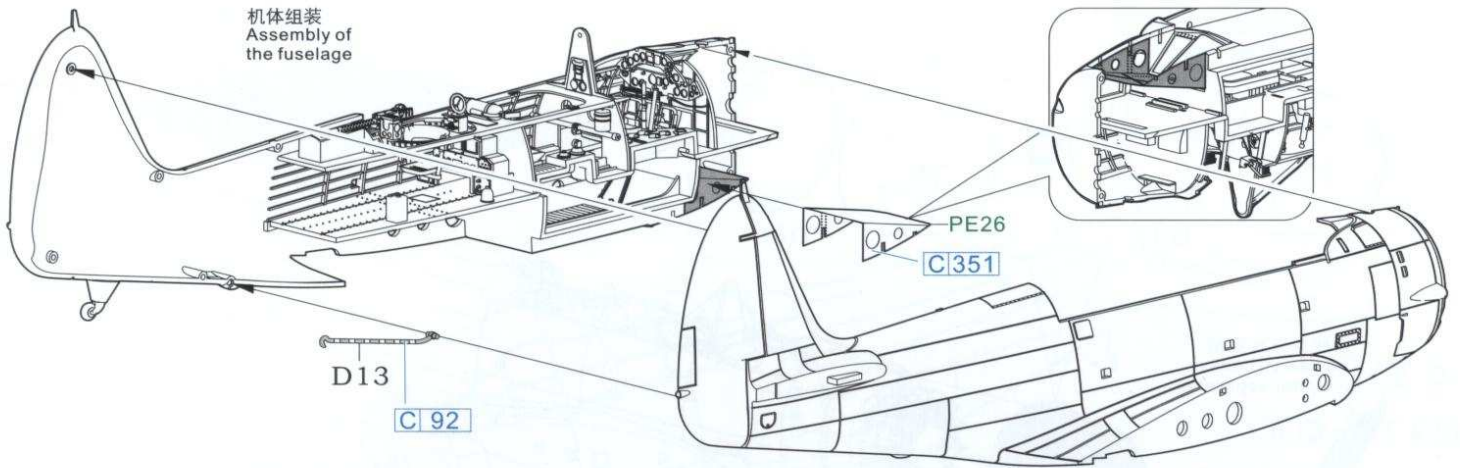


右机体组装
Assembly of the right fuselage



装好后位置如图
The finished state is as follow

机体组装
Assembly of the fuselage



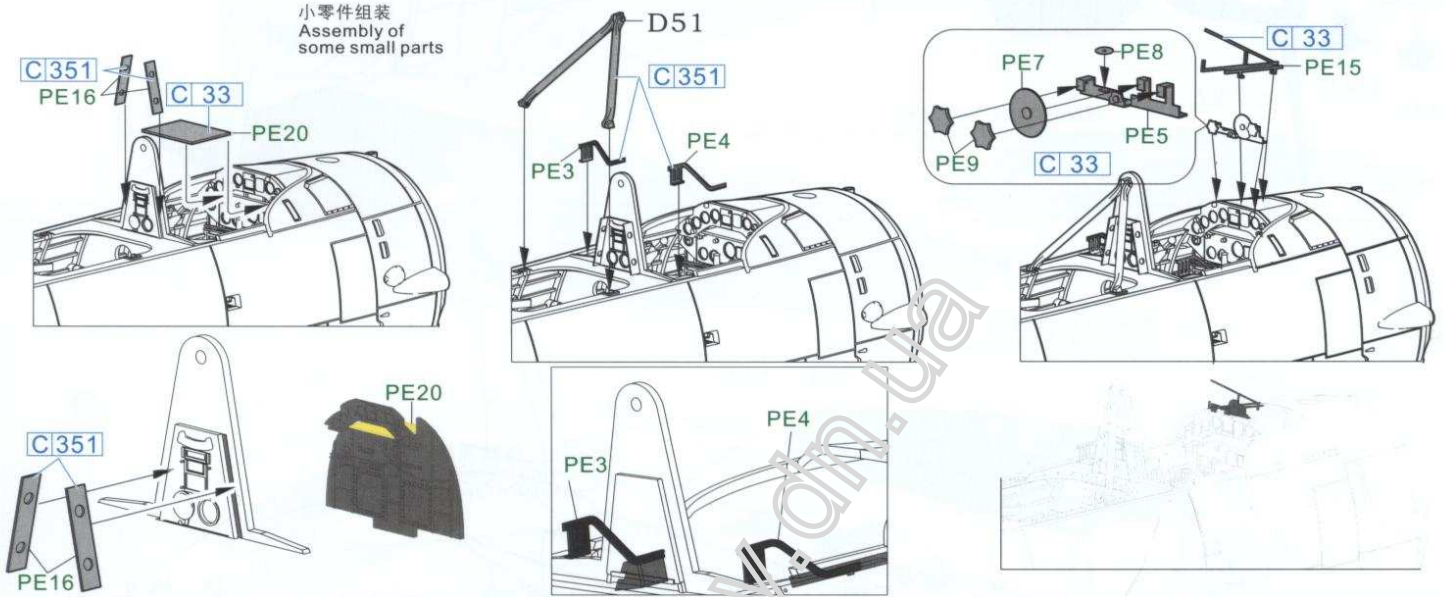
D13

C 92

PE26

C351

小零件组装
Assembly of some small parts



C351
PE16
C 33

PE20

D51

C351

PE3

PE4

PE7

PE8

C 33

PE15

PE9

C 33

C351

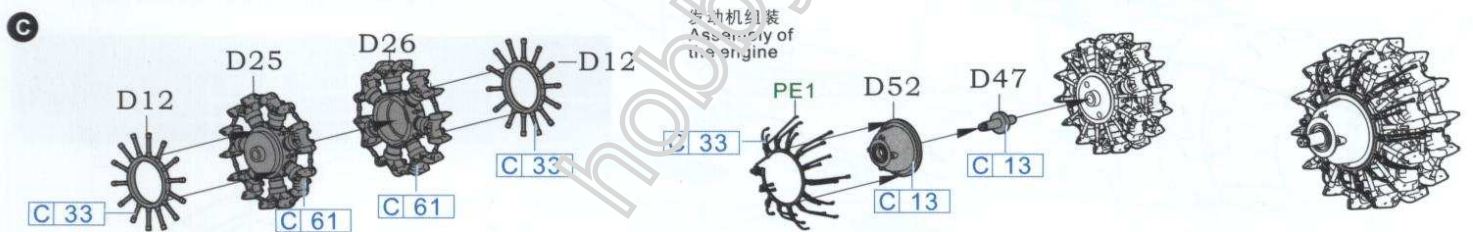
PE16

PE20

PE3

PE4

发动机组装
Assembly of the engine



D12

D25

D26

D12

C 33

C 61

C 61

C 33

C 33

PE1

D52

C 13

C 13

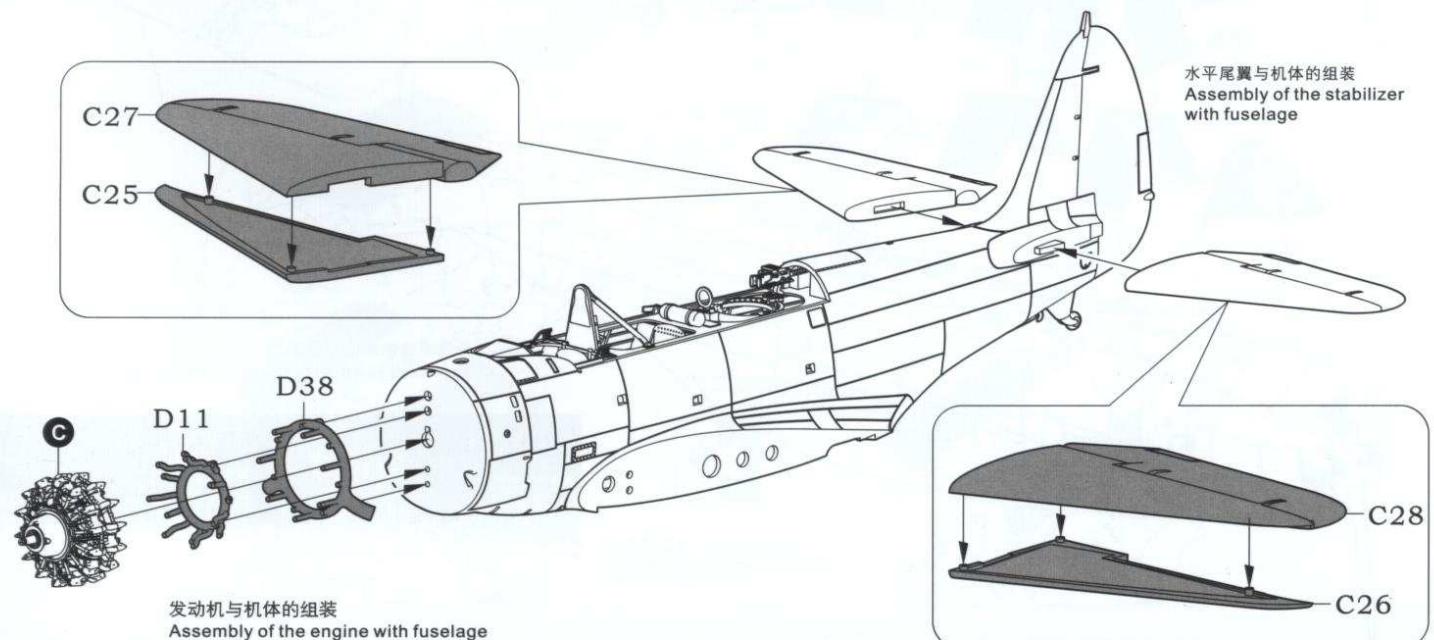
D47

C 13

C27

C25

水平尾翼与机体的组装
Assembly of the stabilizer with fuselage



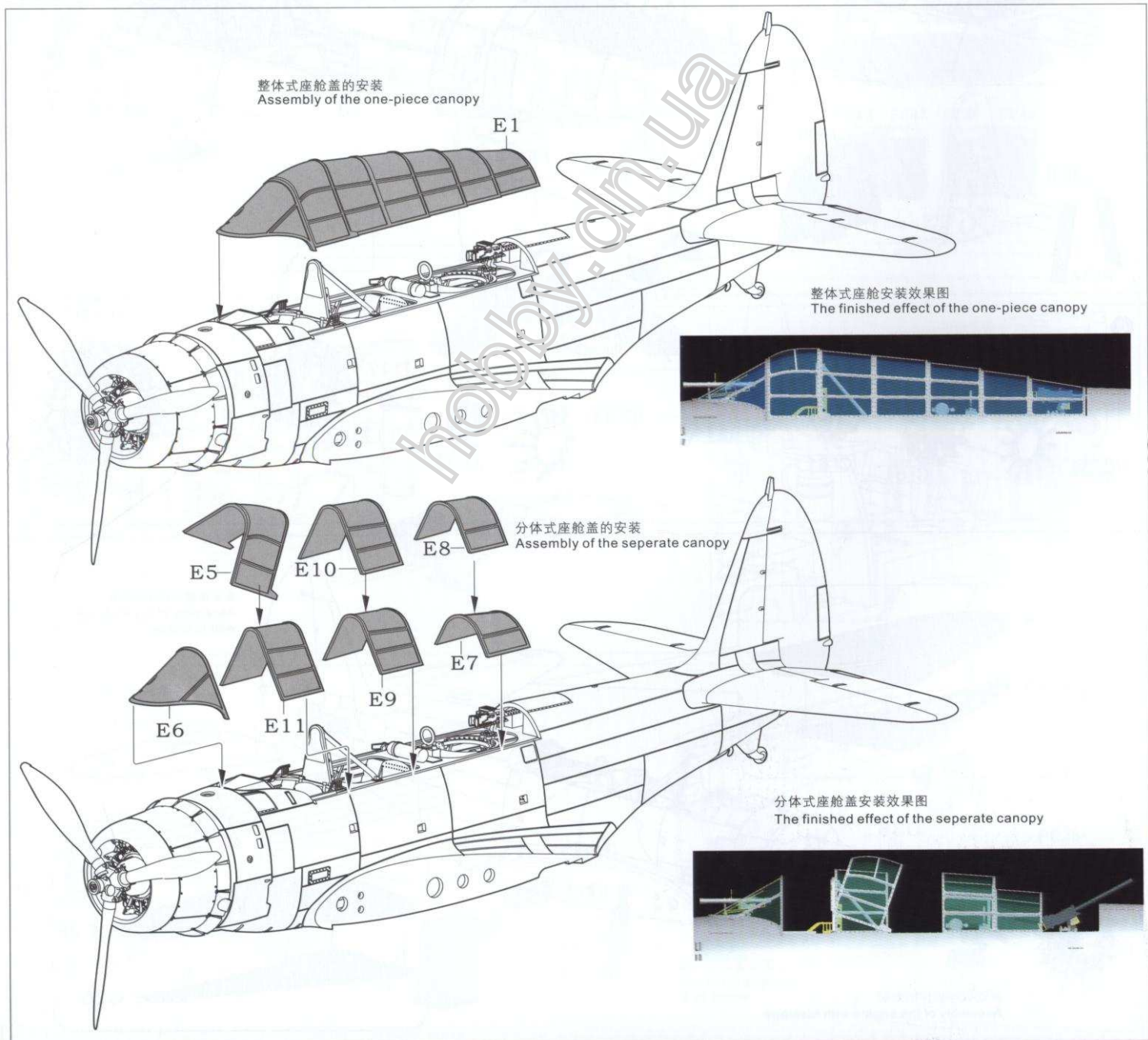
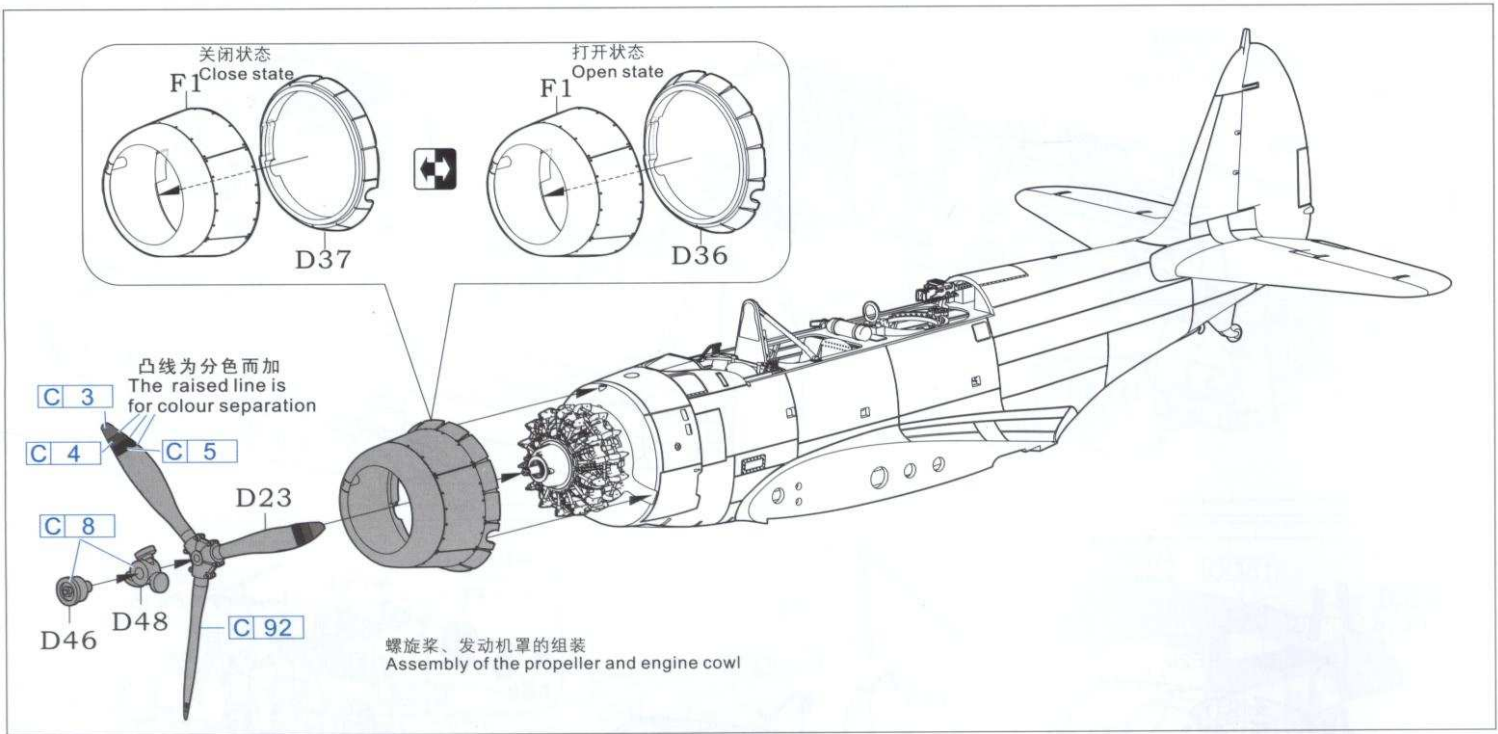
D11

D38

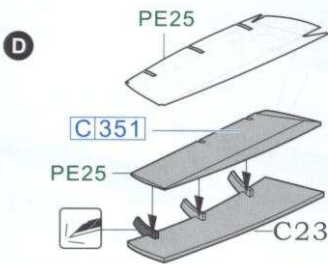
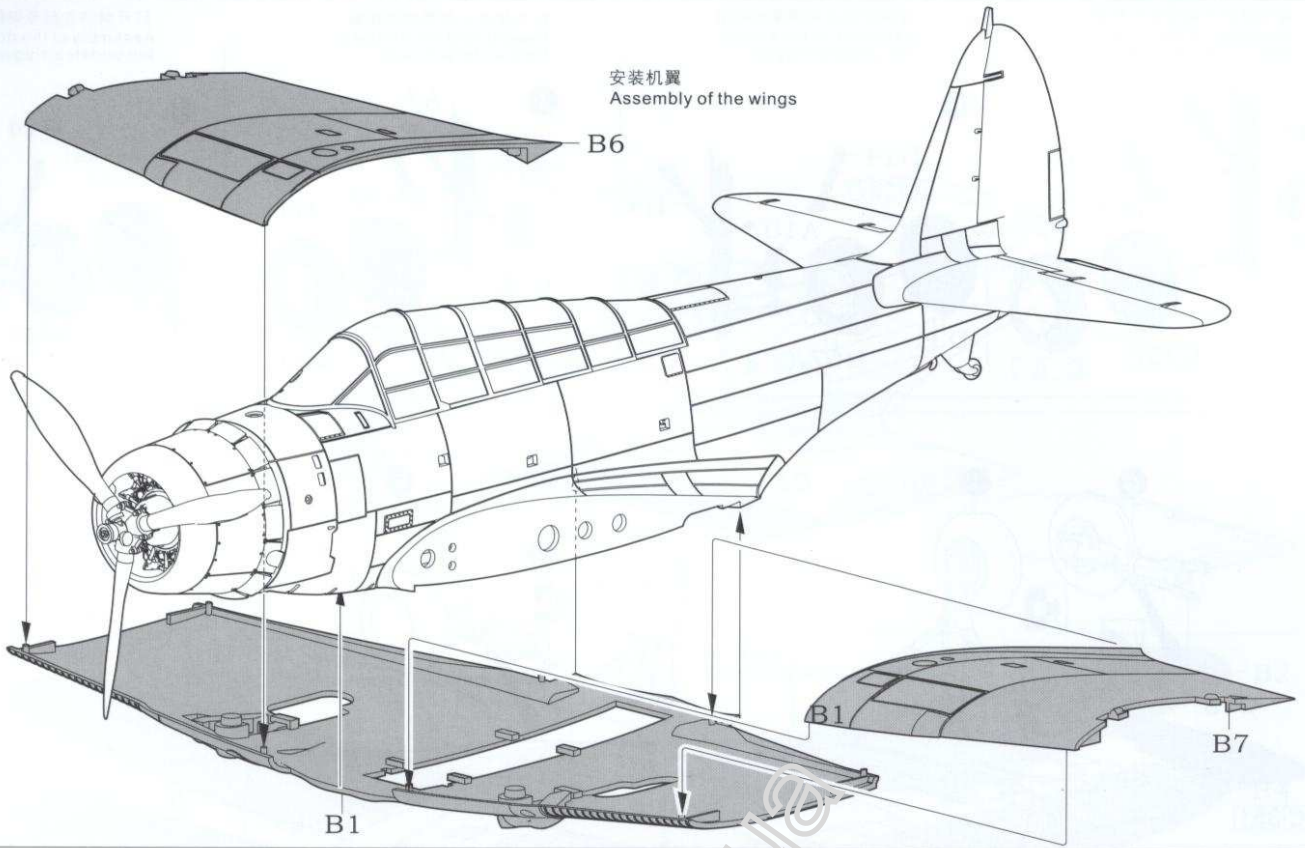
C28

C26

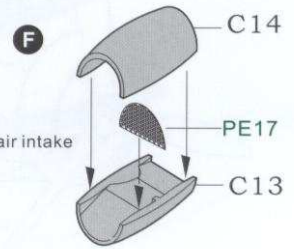
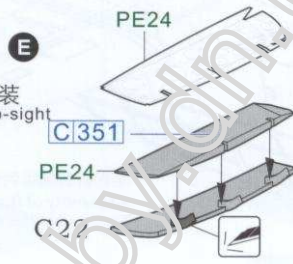
发动机与机体的组装
Assembly of the engine with fuselage



安装机翼
Assembly of the wings

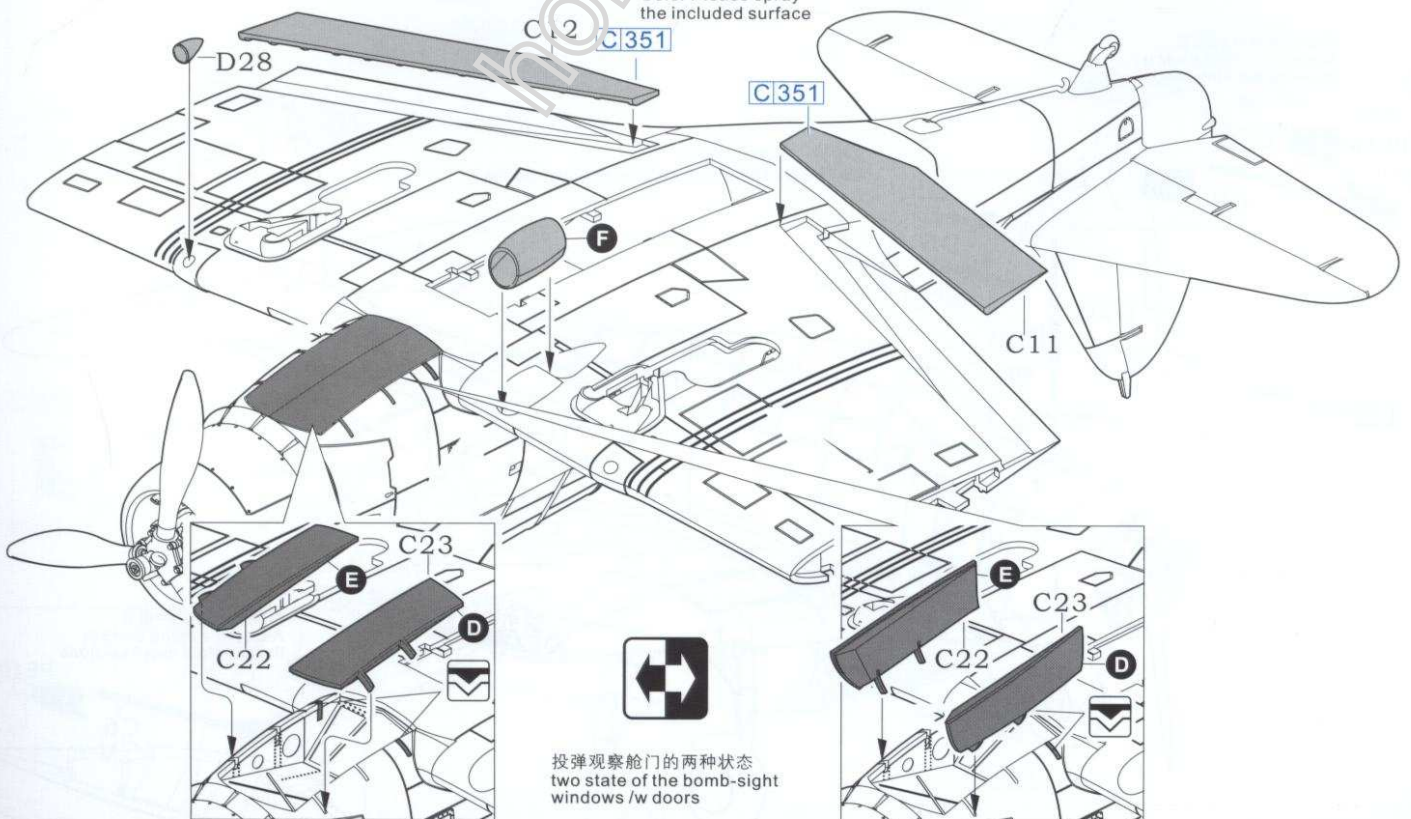


投弹观察舱门的组装
Assembly of the bomb-sight windows /w doors



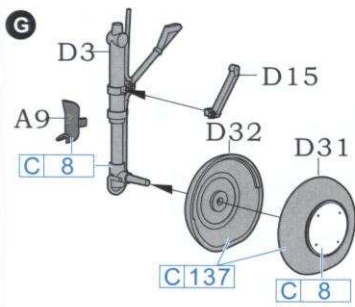
进气口的组装
Assembly of the air intake

颜色请喷在内表面
Color Please spray the included surface

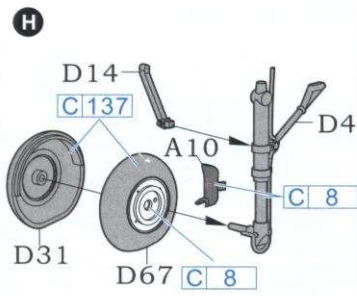


投弹观察舱门的两种状态
two state of the bomb-sight windows /w doors

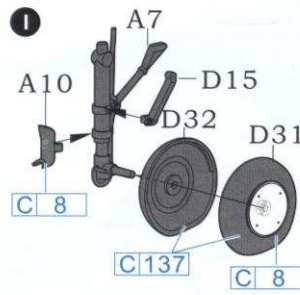
收纳状态右起落架的组装
Assembly of the stored right undercarriages



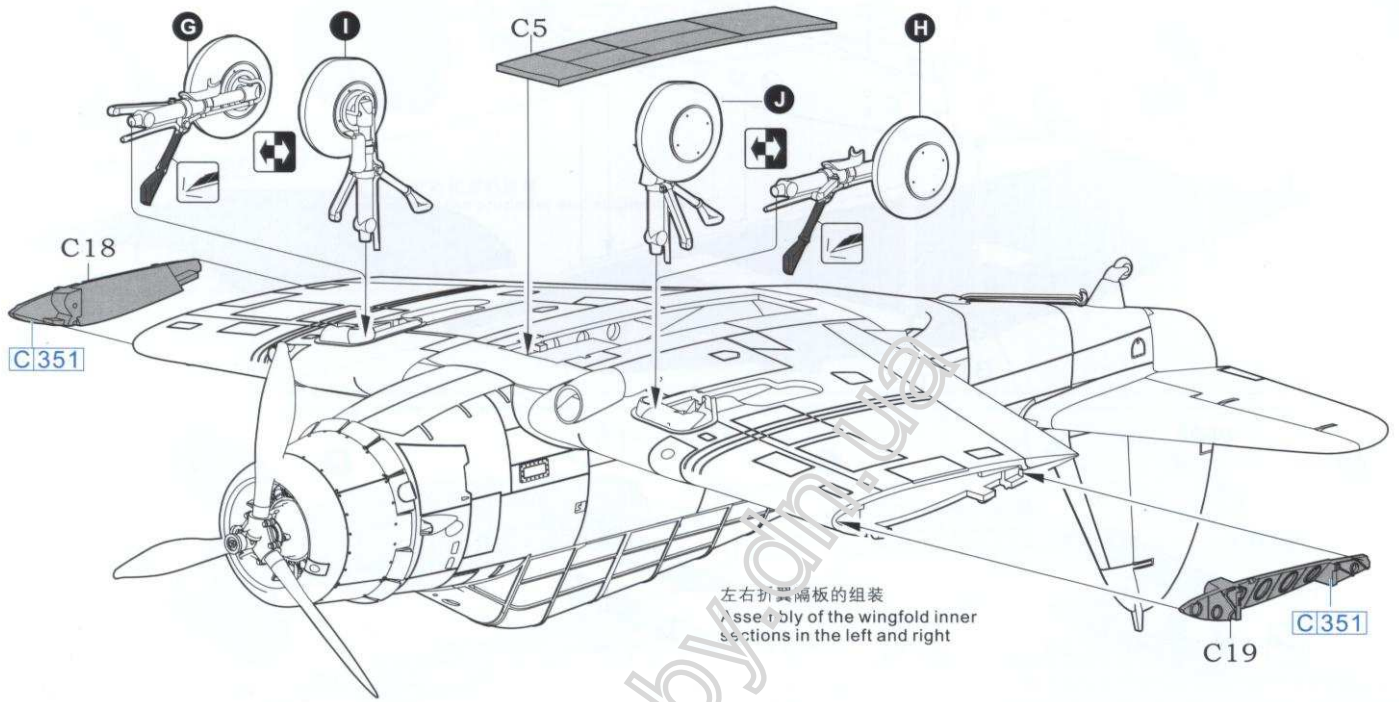
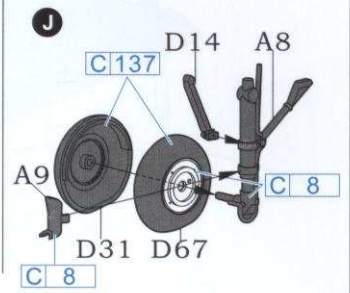
收纳状态左起落架的组装
Assembly of the stored left undercarriages



打开状态右起落架的组装
Assembly of the dropped right undercarriages



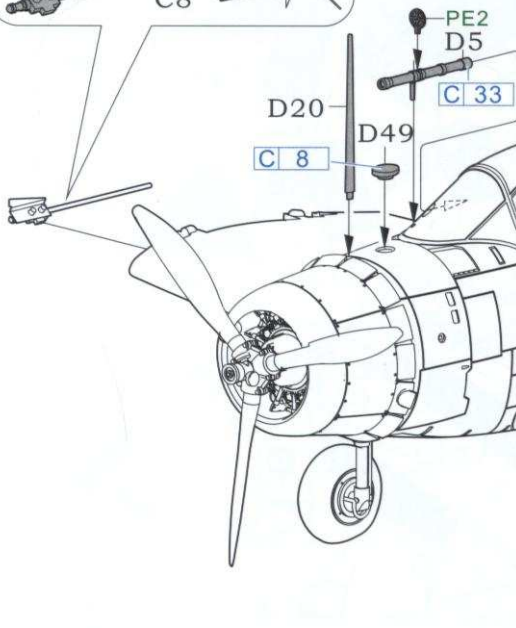
打开状态左起落架的组装
Assembly of the dropped left undercarriages



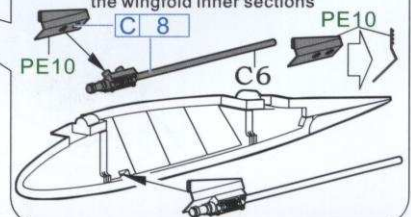
折翼隔板零件的组装
Assembly of the parts in the wingfold inner sections



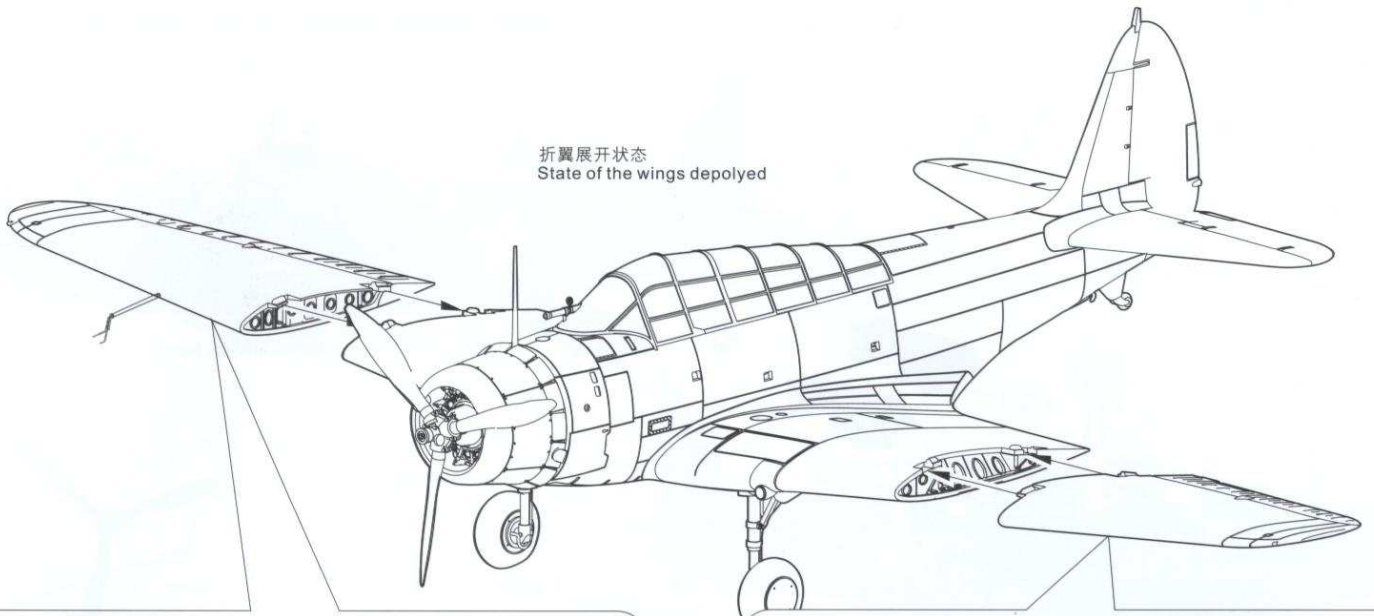
瞄准镜、天线的组装
Assembly of the case monitoring and antenna



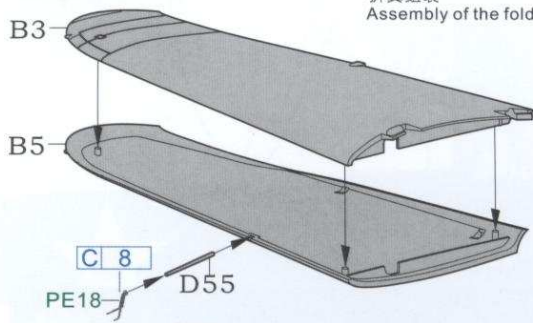
折翼隔板零件的组装
Assembly of the parts in the wingfold inner sections



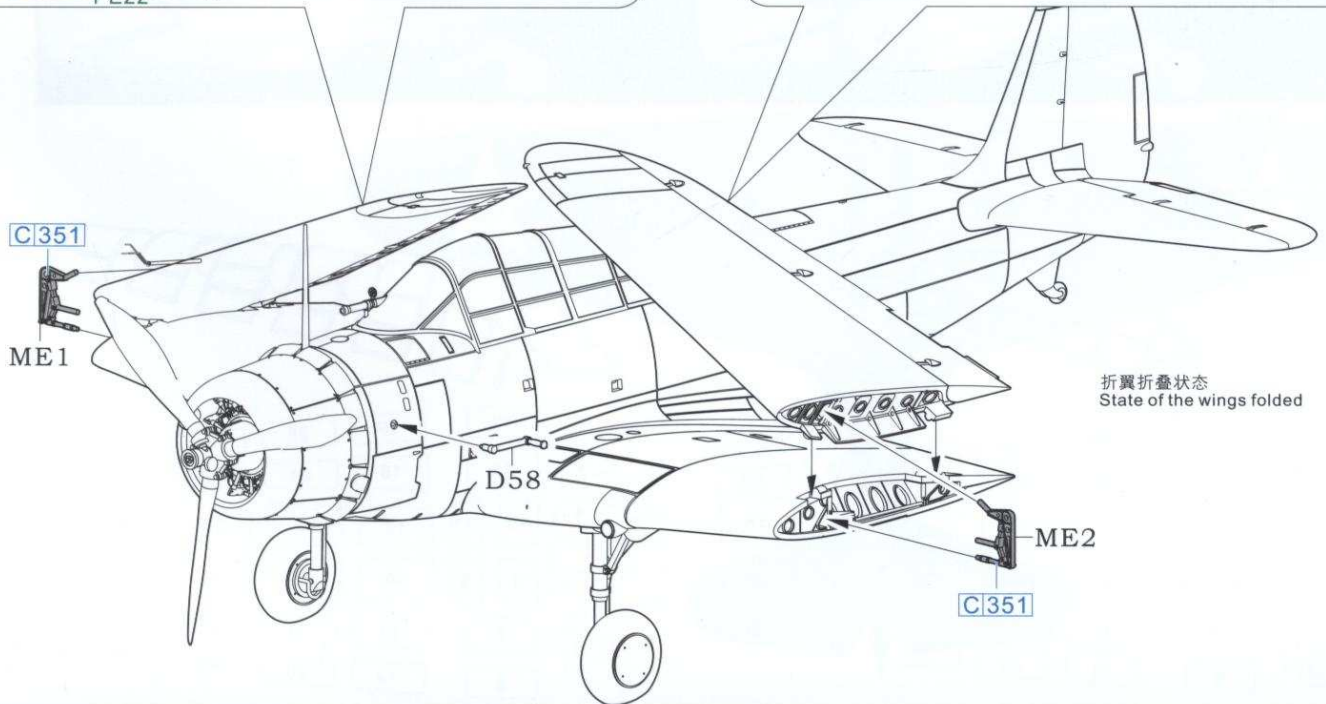
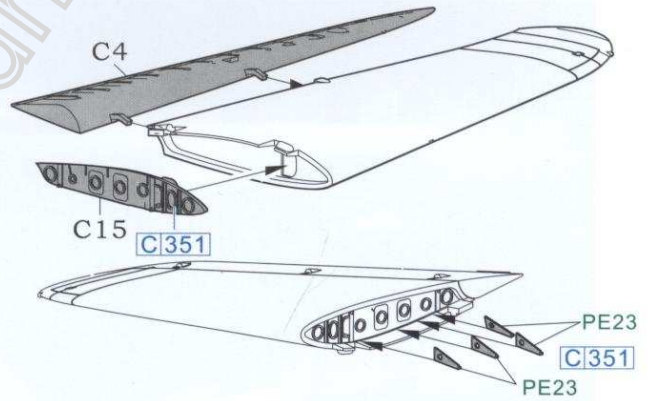
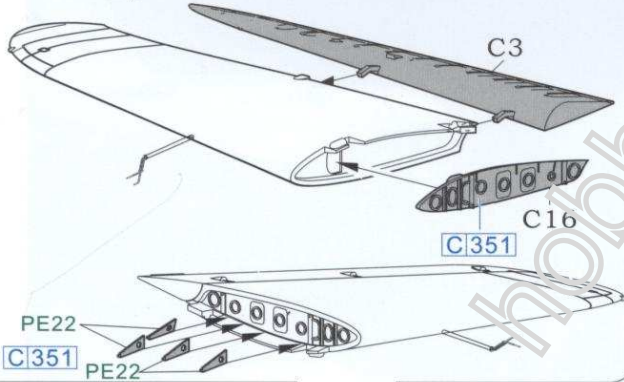
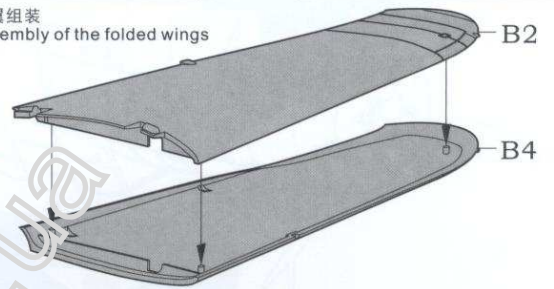
折翼展开状态
State of the wings deployed



折翼组装
Assembly of the folded wings



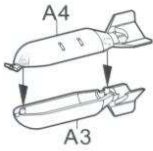
折翼组装
Assembly of the folded wings



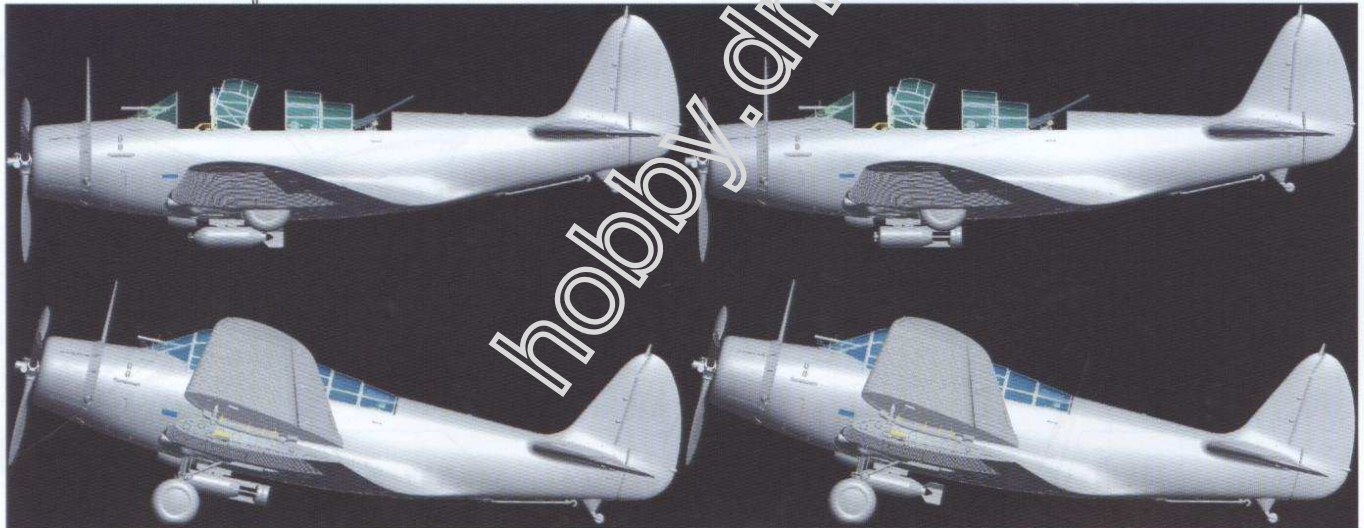
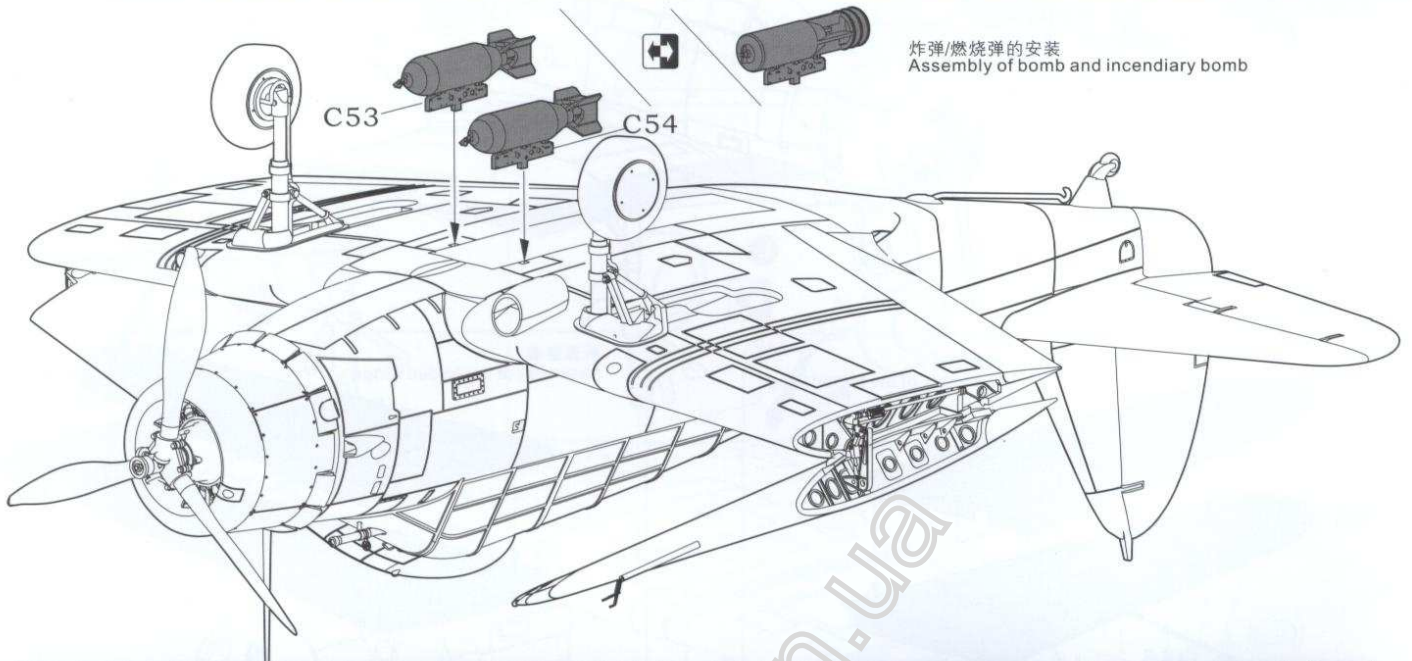
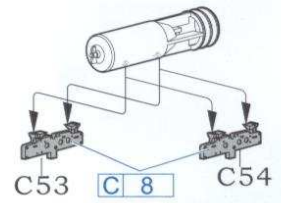
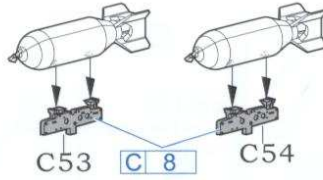
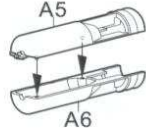
折翼折叠状态
State of the wings folded

x2

500磅炸弹
500 Pound bomber



500磅燃烧弹
500 pound incendiary bomb

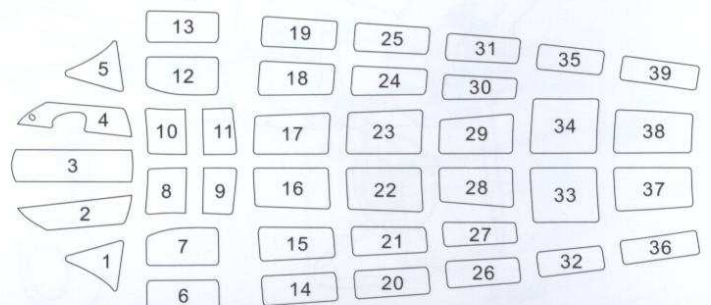
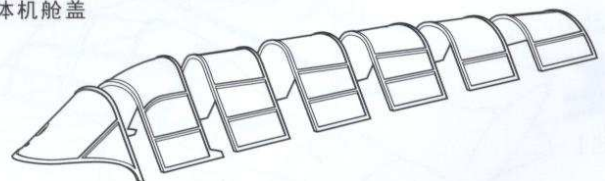


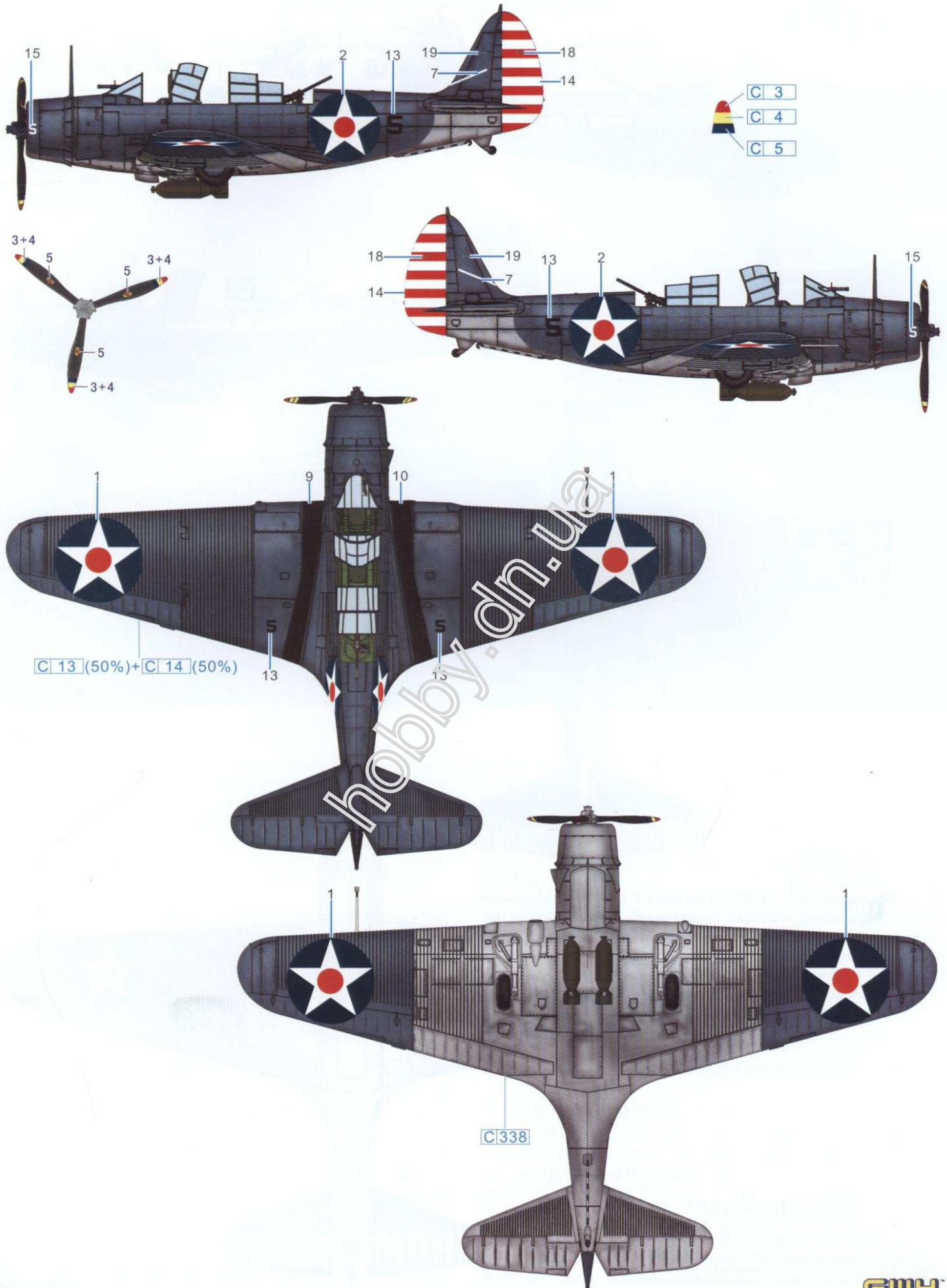
Canopy mask
窗贴

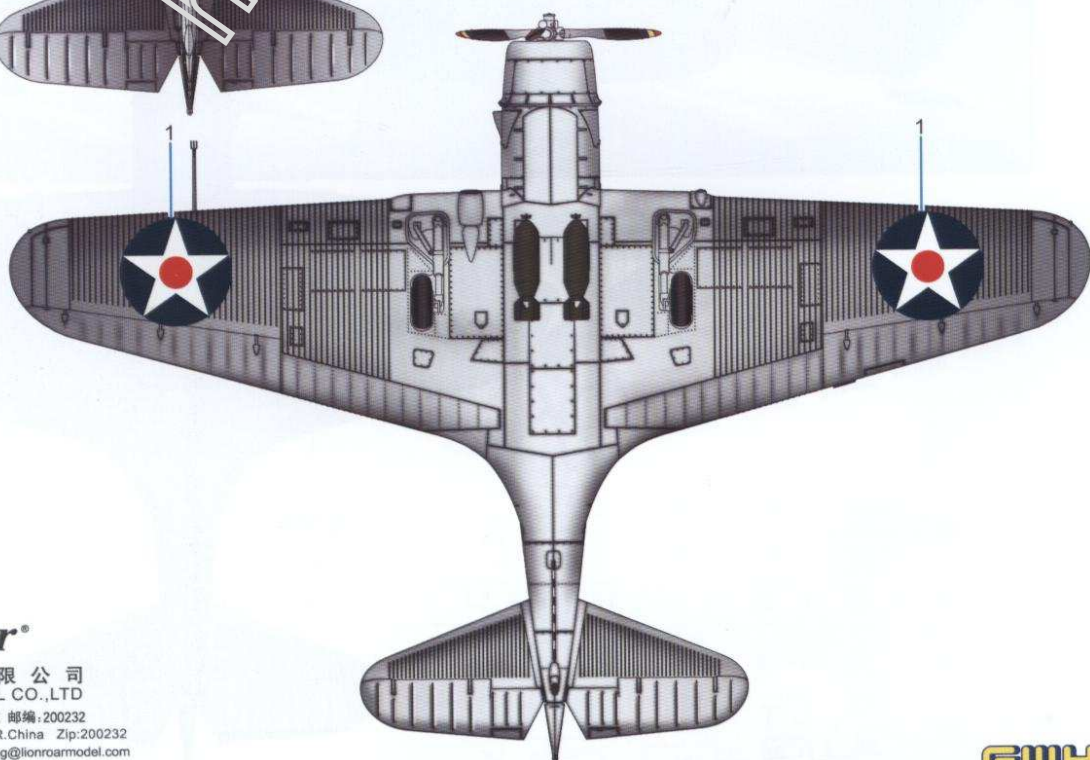
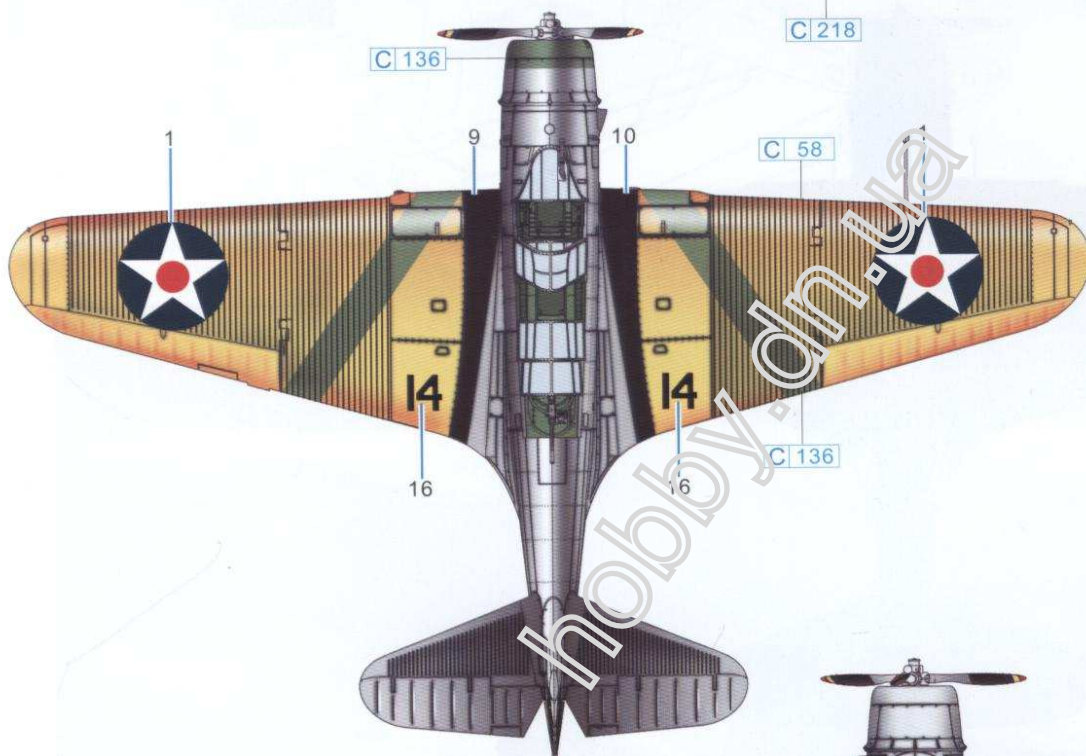
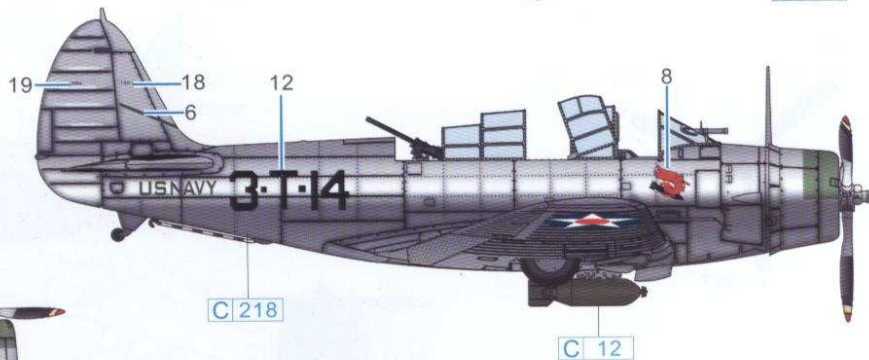
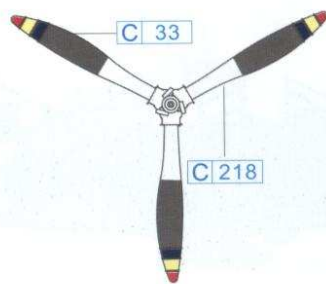
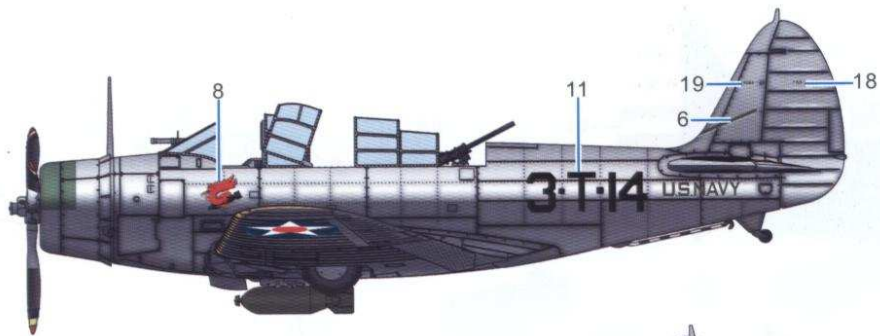
Integrative canopy mask
整体机舱盖



Detached canopy mask
分体机舱盖







上海狮瑞工艺模型有限公司
 SHANGHAI LION ROAR ART MODEL CO.,LTD
 地址: 中国上海市徐汇区龙吴路410弄87号2层210室 邮编: 200232
 Room 210 No.87 Lane 410 Long Wu Road Shanghai P.R.China Zip:200232
 Tel:86-21-34230563 Fax:86-21-34230561 E-mail: marketing@lionroarmodel.com
www.lionroar.net www.lionroarmodel.cn

