



F-14D TOMCAT

格鲁曼F-14D舰载战斗机



F-14雄猫式战斗机是美国海军曾装备的一种超音速空优及远程拦截用舰载战斗机。由格鲁门公司承包开发制造，专门用于负责以航空母舰为中心的舰队防卫任务，为双发喷气机、可变后掠翼与双尾翼、双座配置。首架F-14于1970年试飞，1974年正式服役。

F-14D是F-14系列的最后一个发展型号。采用F110引擎，驾驶舱也全面玻璃化，增加了两个多功能显示器，雷达改用APG-71雷达。可装备AIM-9，AIM-7，AIM-54空对空导弹，JDAM，激光制导炸弹，Mk80系列通用炸弹等对地攻击武器。

The F-14 Tomcat fighter is a supersonic air superior and remote interception carrier-based fighter that the US Navy has equipped. Developed and manufactured by Grumman, it is dedicated to the fleet defense mission centered on aircraft carriers. It is a dual-engine jet, variable swept wing and twin-wing, two-seat configuration. The first F-14 was tested in 1970 and officially commissioned in 1974.

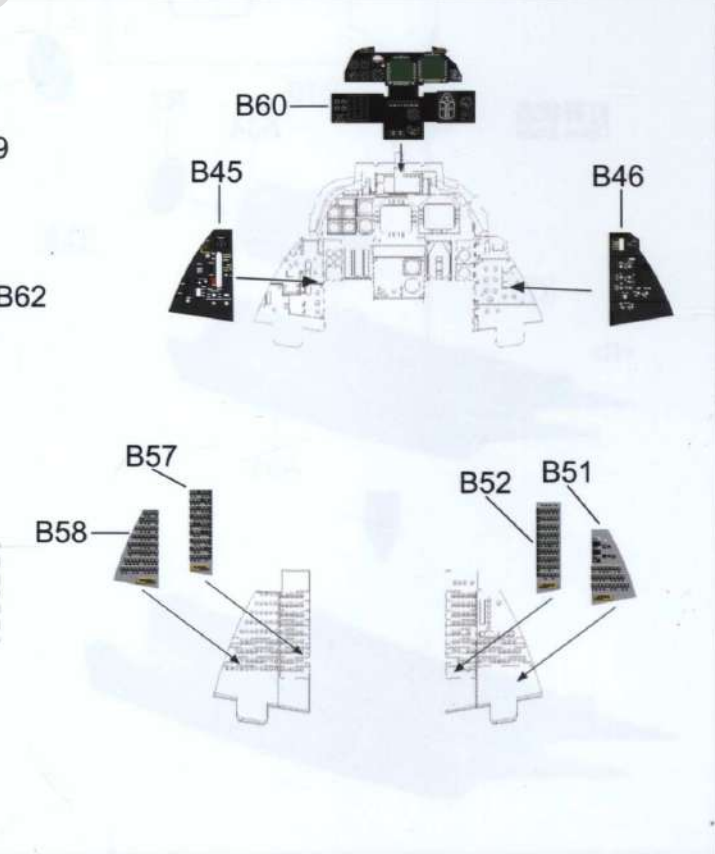
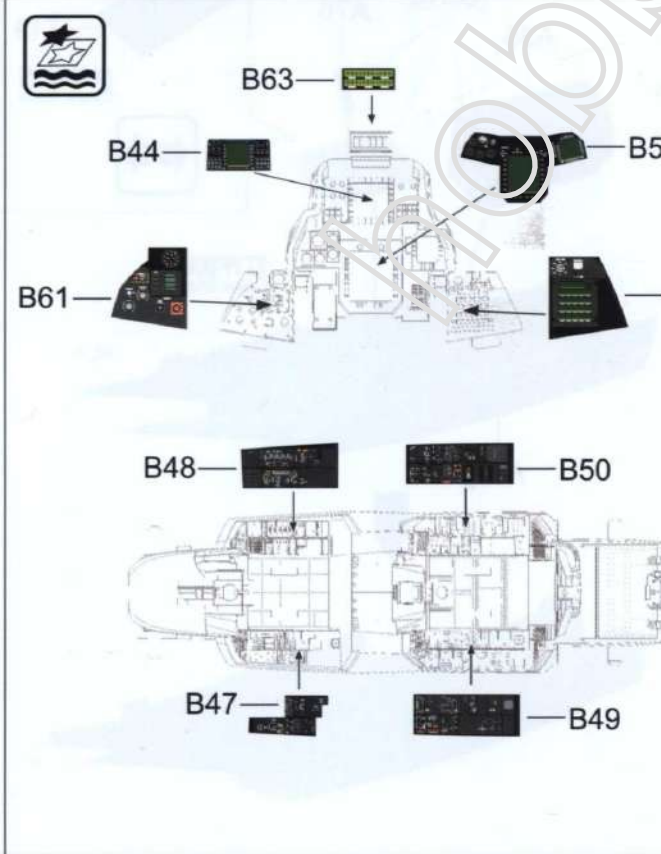
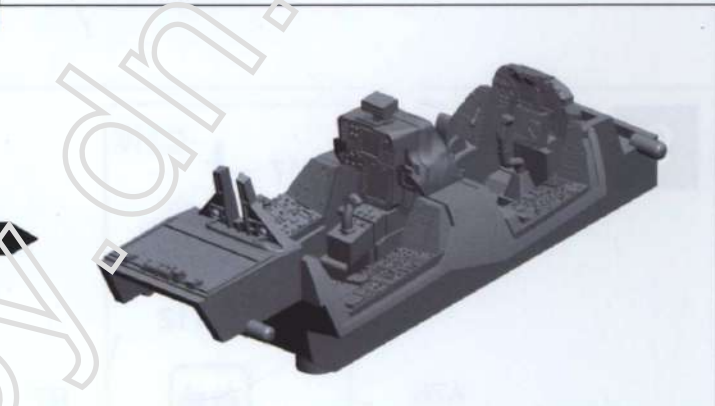
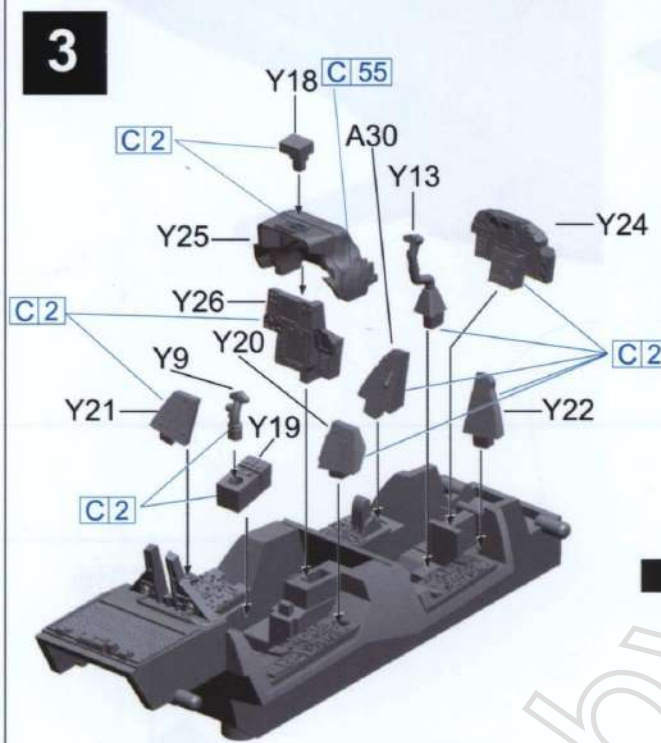
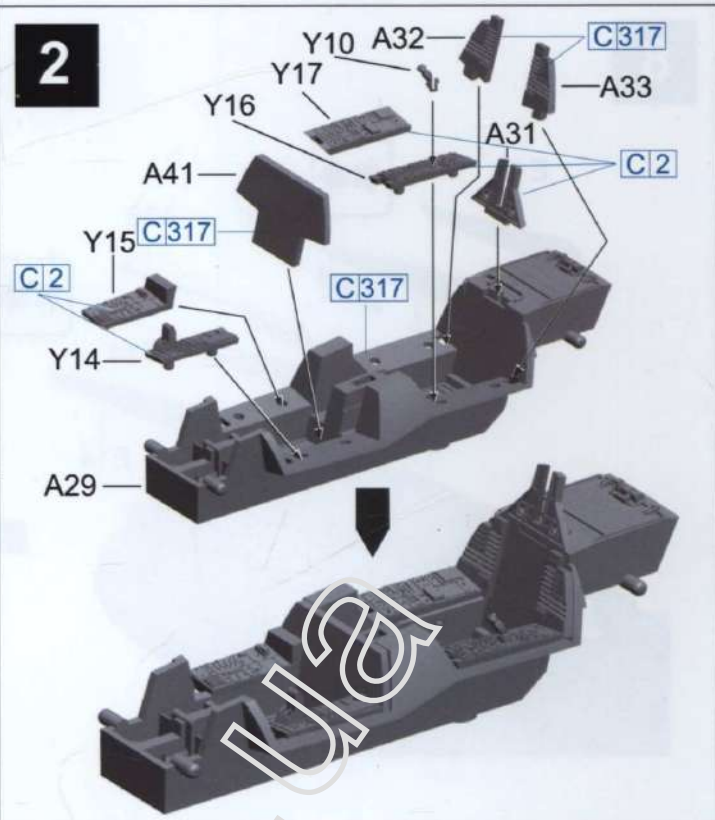
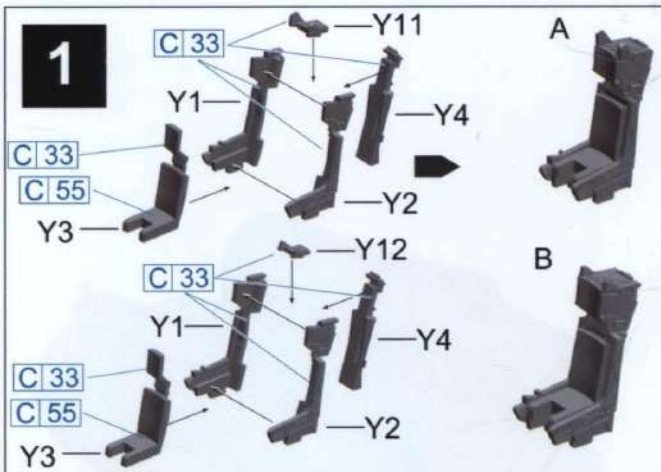
The F-14D is the last development model of the F-14 series. With the F110 engine, the cockpit is also fully vitrified, adding two multi-function displays, and the radar is switched to the APG-71 radar. It can be equipped with AIM-9, AIM-7, AIM-54 air-to-air missiles, JDAM, laser-guided bombs, Mk80 series general bombs and other ground attack weapons.

涂装色表 PAINT REQUIRED カラー番号リスト

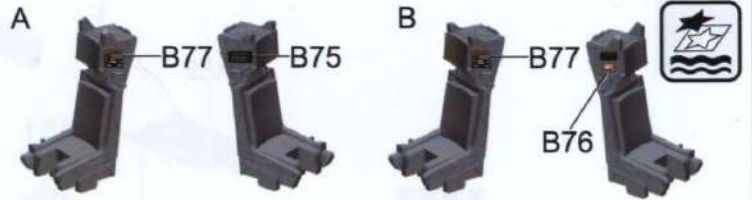
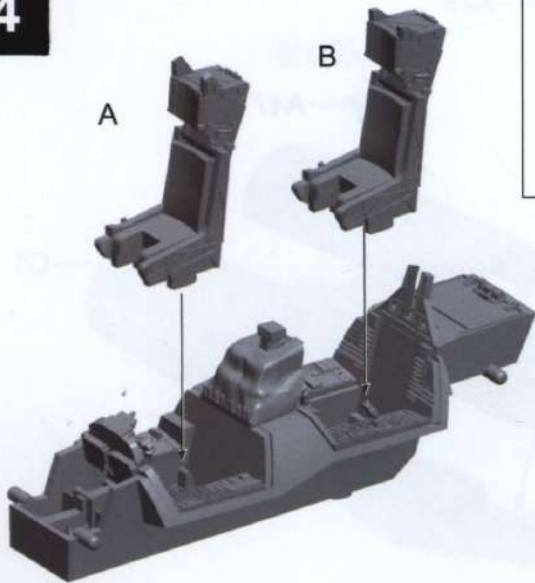
■ C1000 GSI CREOS Mr.COLOR

■ A.MIG-000 米格色号

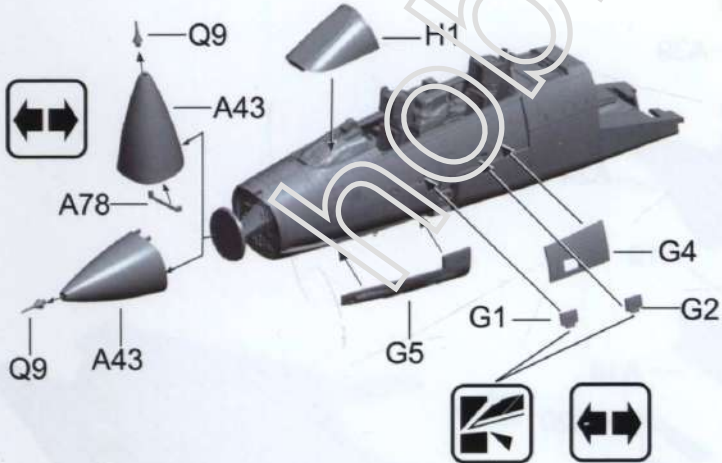
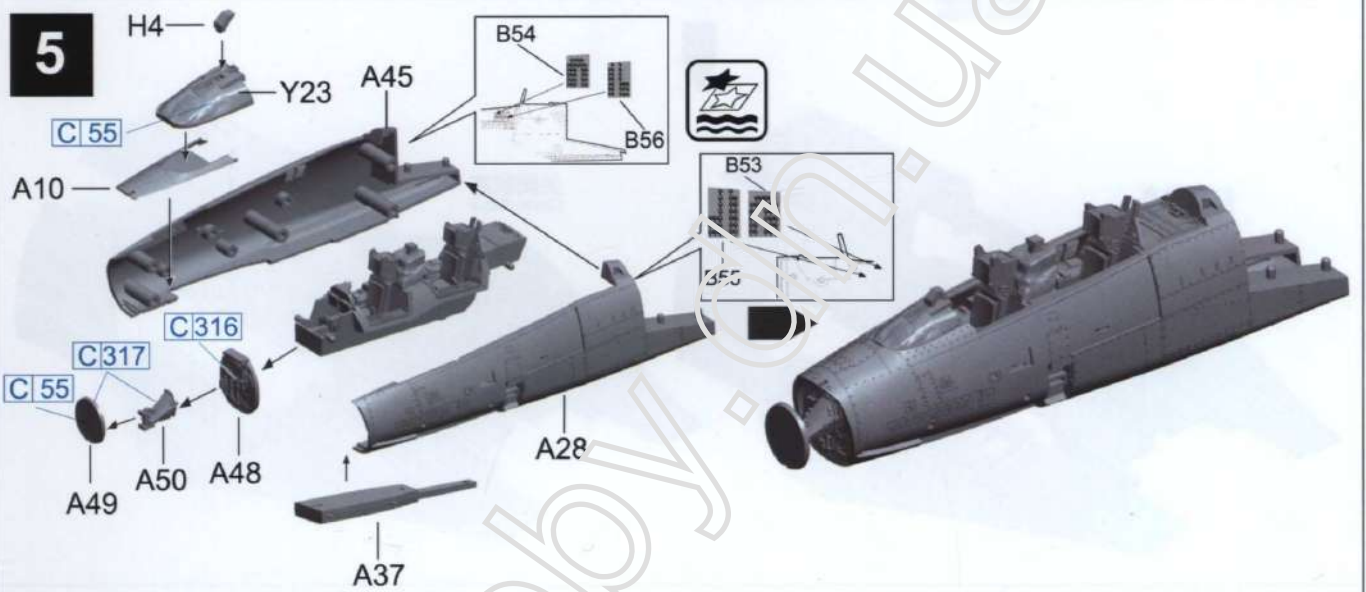
| | | | | | | | |
|------|------------|-----------|---------------|-------|------------|------------|--------------------|
| C2 | A.MIG 0032 | 黑色 | Black | C308 | | 浅灰FS36375 | Light Gray FS36375 |
| C8 | A.MIG 212 | 银色 | Silver | C315 | | 浅灰色FS16440 | Light Gray FS16440 |
| C25 | A.MIG 0277 | 深海灰 | Dark Sea Gray | C316 | A.MIG 0047 | 白色FS17875 | White FS17875 |
| C33 | A.MIG 0046 | 消光黑 | Flat Black | C317 | | 灰色FS36231 | Gray FS36231 |
| C47 | | 透明红 | Clear Rad | C327 | A.MIG 0049 | 红色FS11136 | Red FS11136 |
| C50 | | 透明蓝 | Clear Blue | C329 | A.MIG 0048 | 黄色FS13538 | Yellow FS13538 |
| C55 | A.MIG 088 | 卡其色 | Khaki | C337 | | 灰蓝色FS35237 | Gray Blue FS35237 |
| C61 | A.MIG 0046 | 消铁色 | Burnt Iron | GX104 | | 透明绿 | GX Clear Green |
| C307 | A.MIG 0208 | 灰色FS36320 | Gray FS36320 | | | | |



4

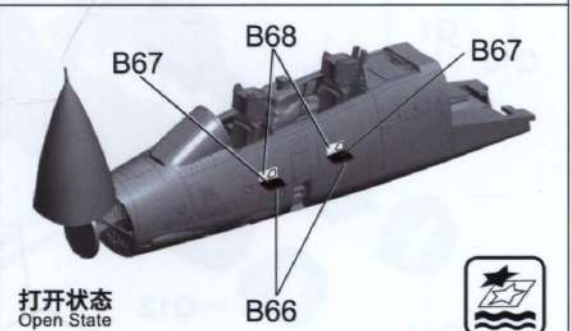
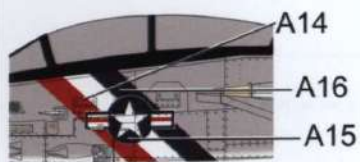


5



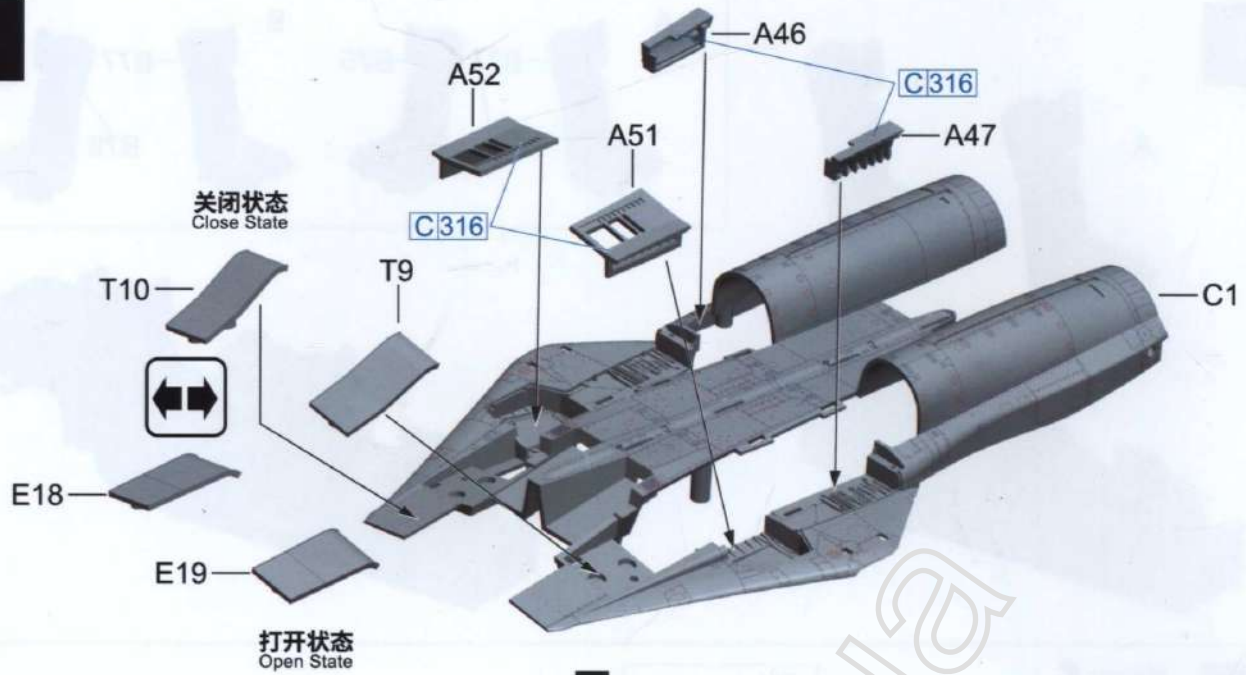
关闭状态
Close State

打开状态
Open State

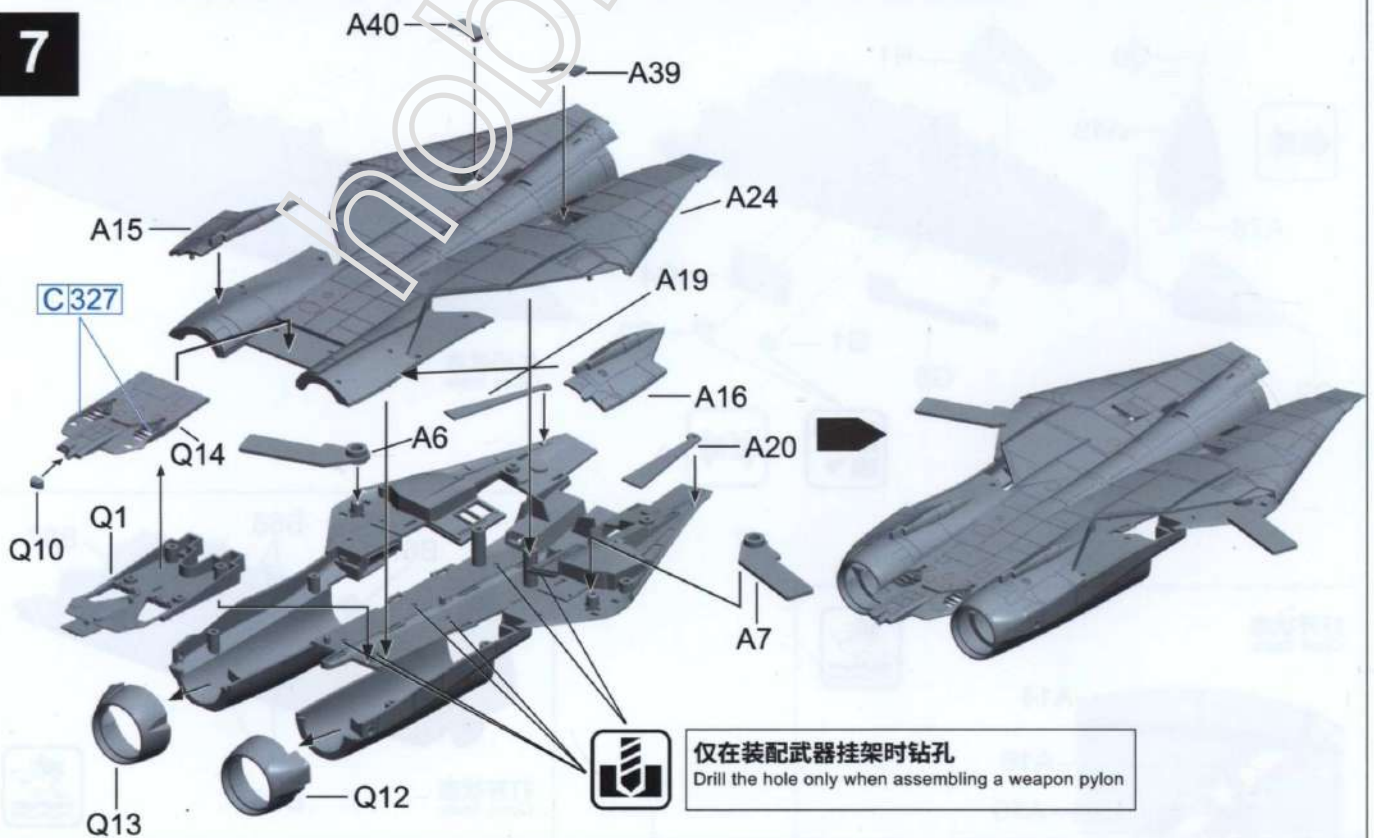


打开状态
Open State

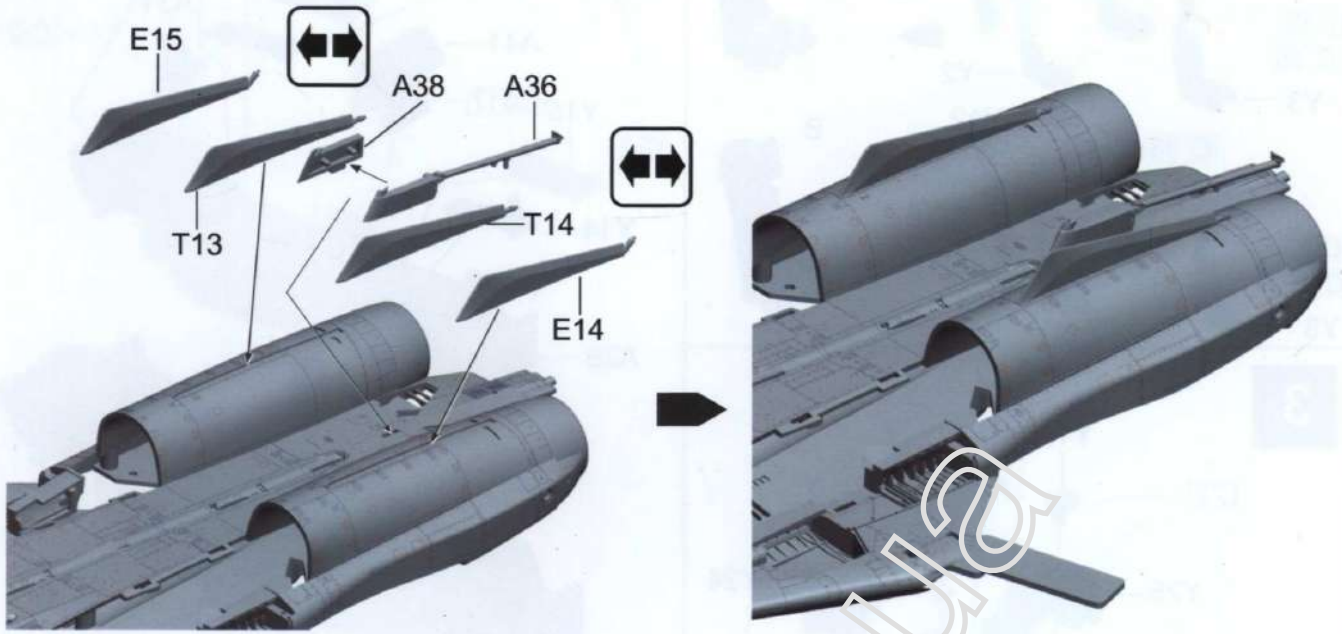
6



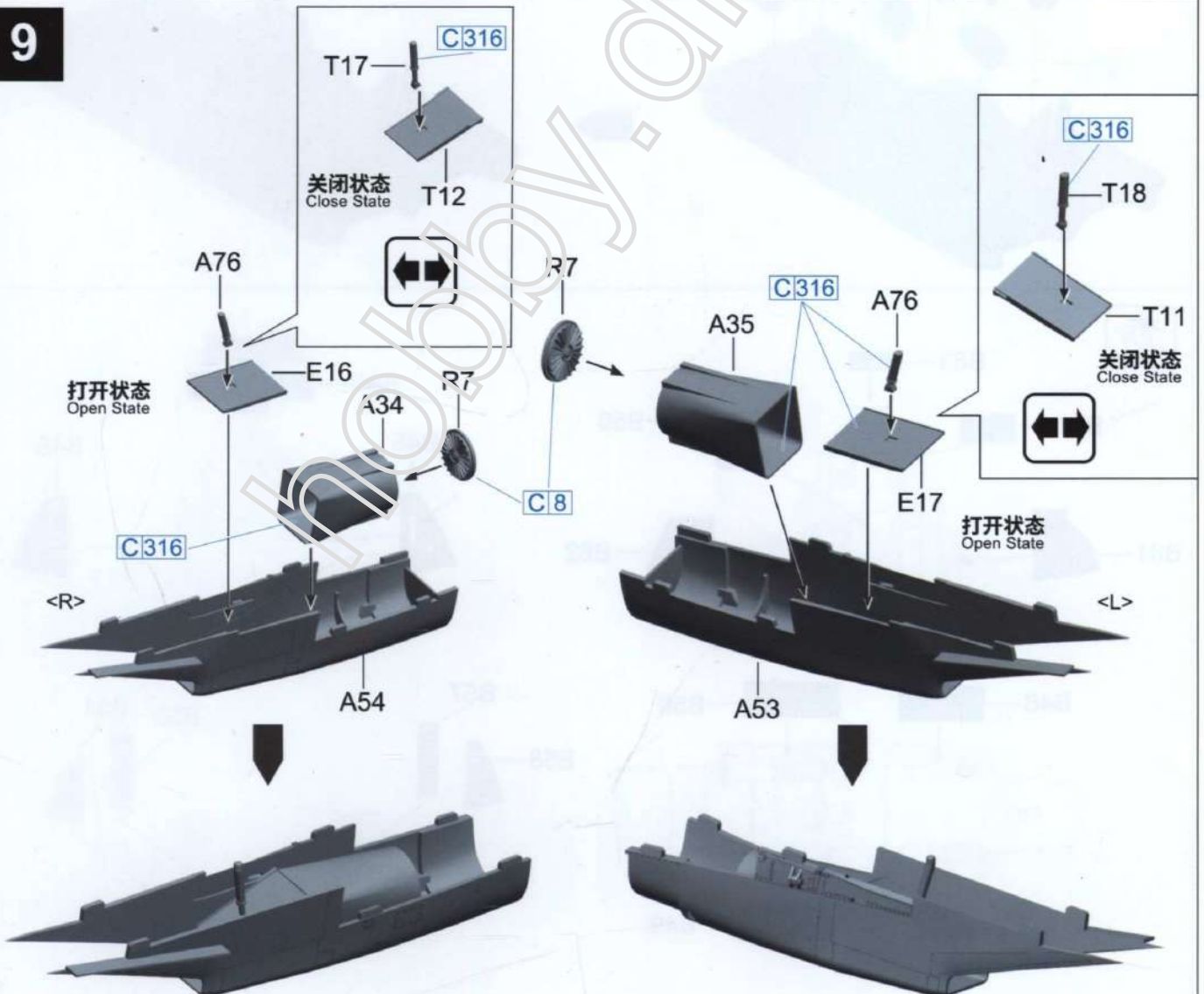
7



8



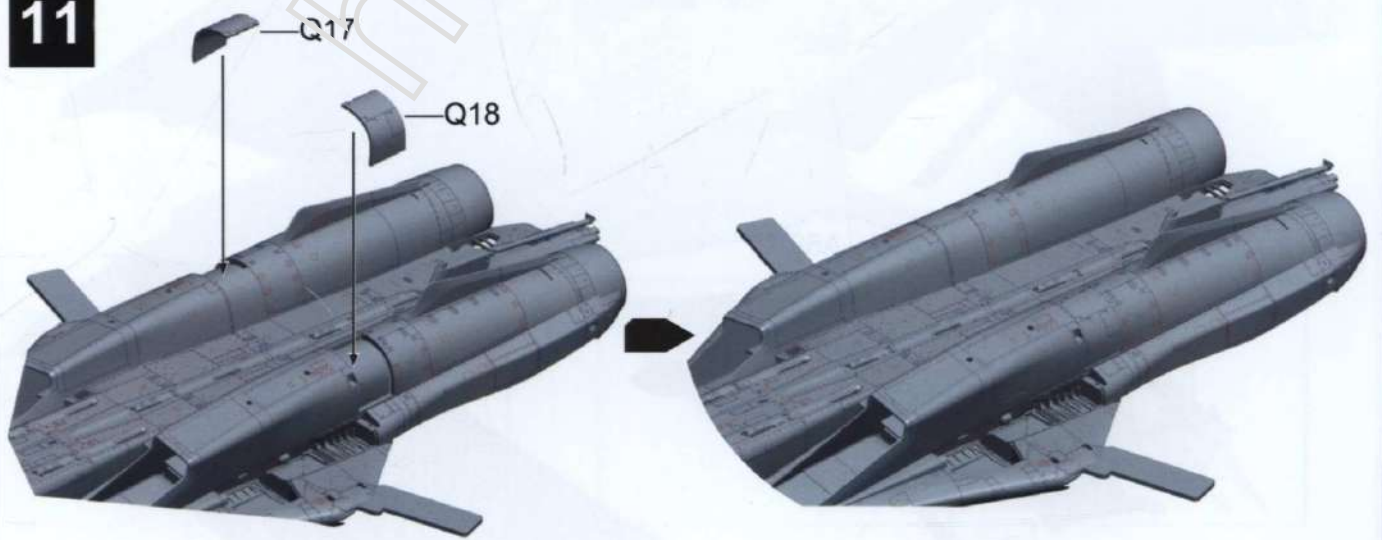
9



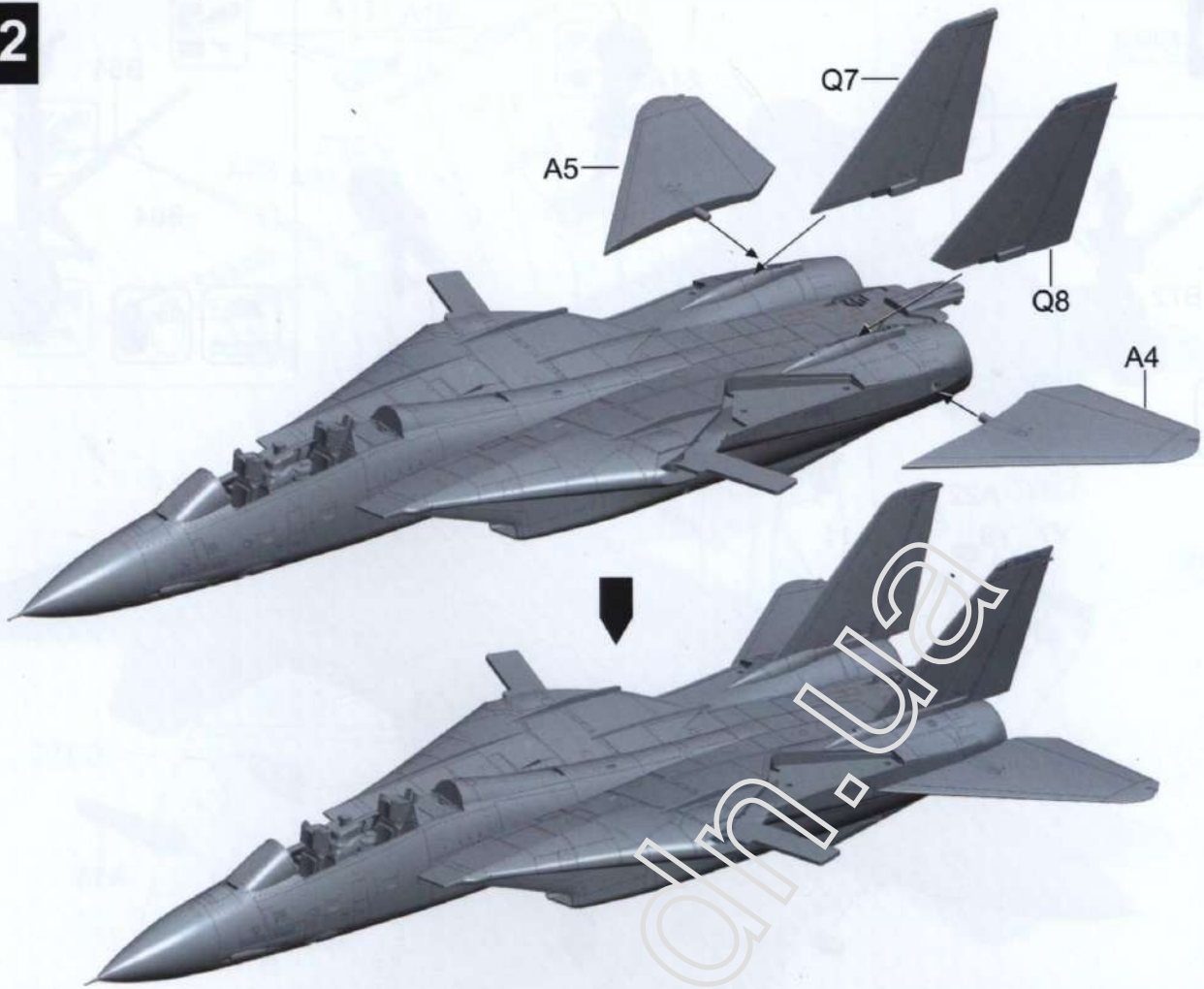
10



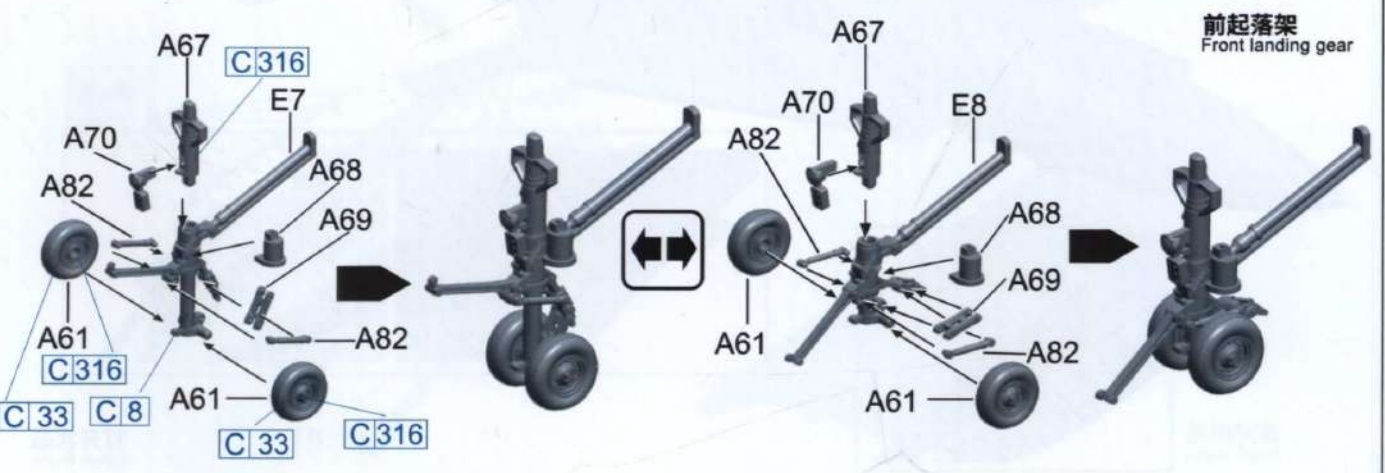
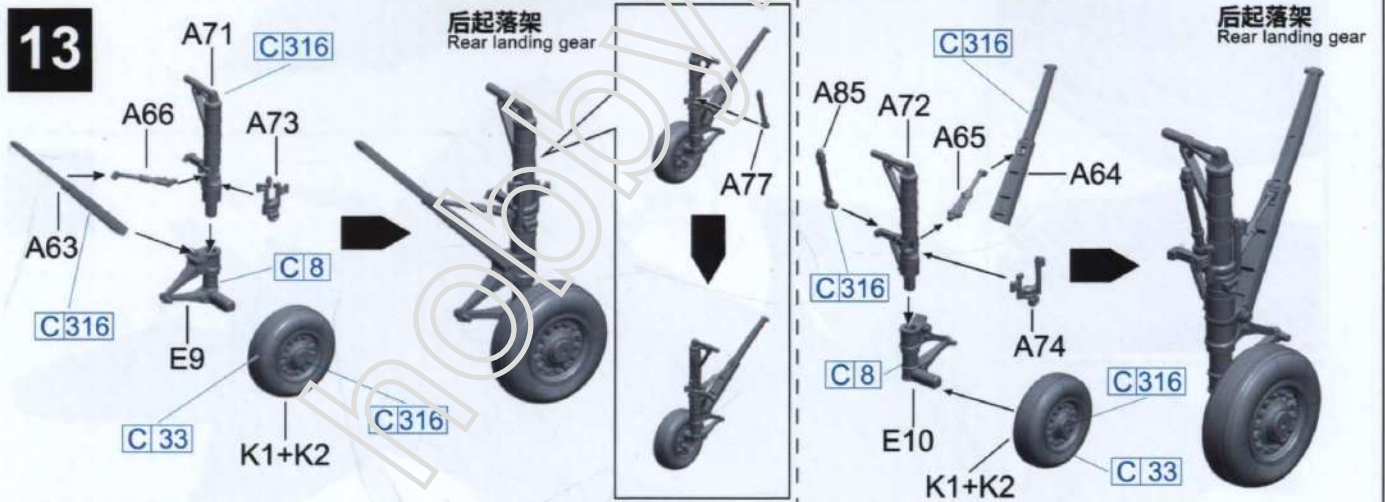
11

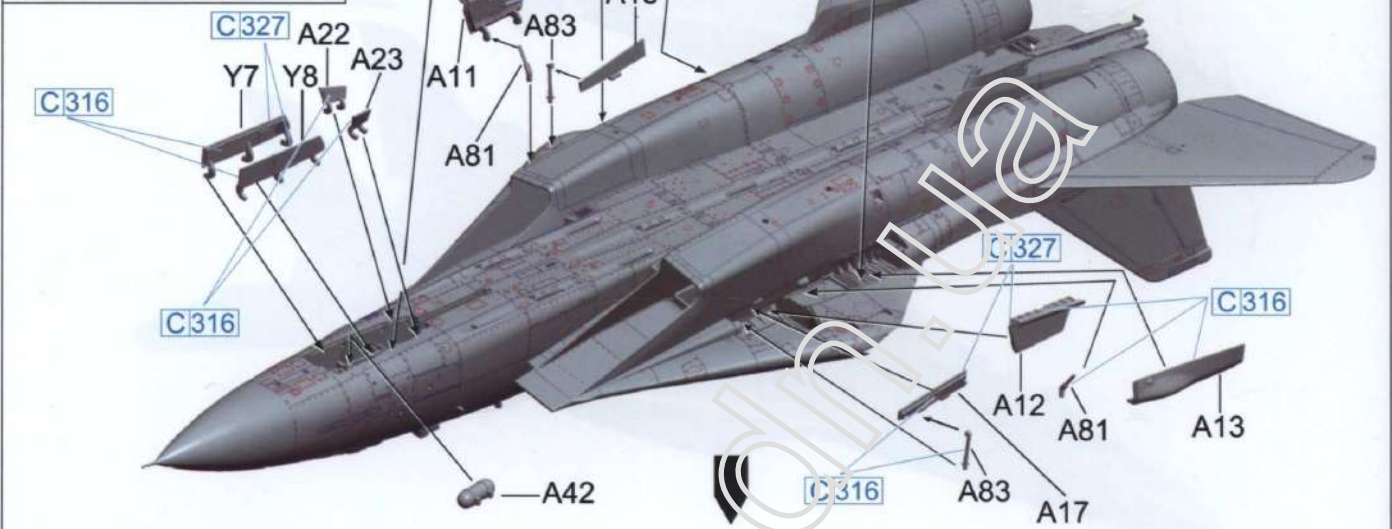


12



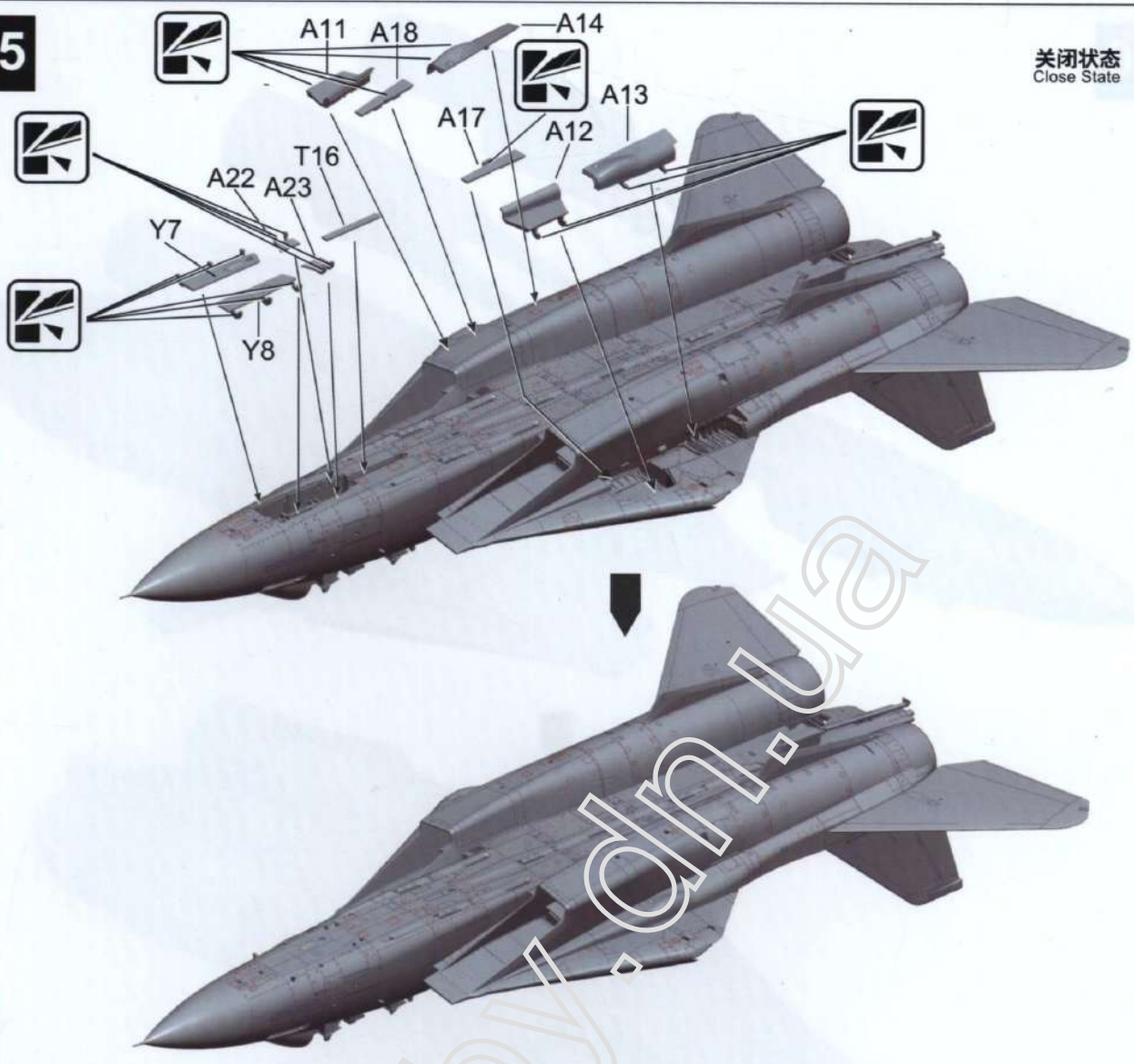
13



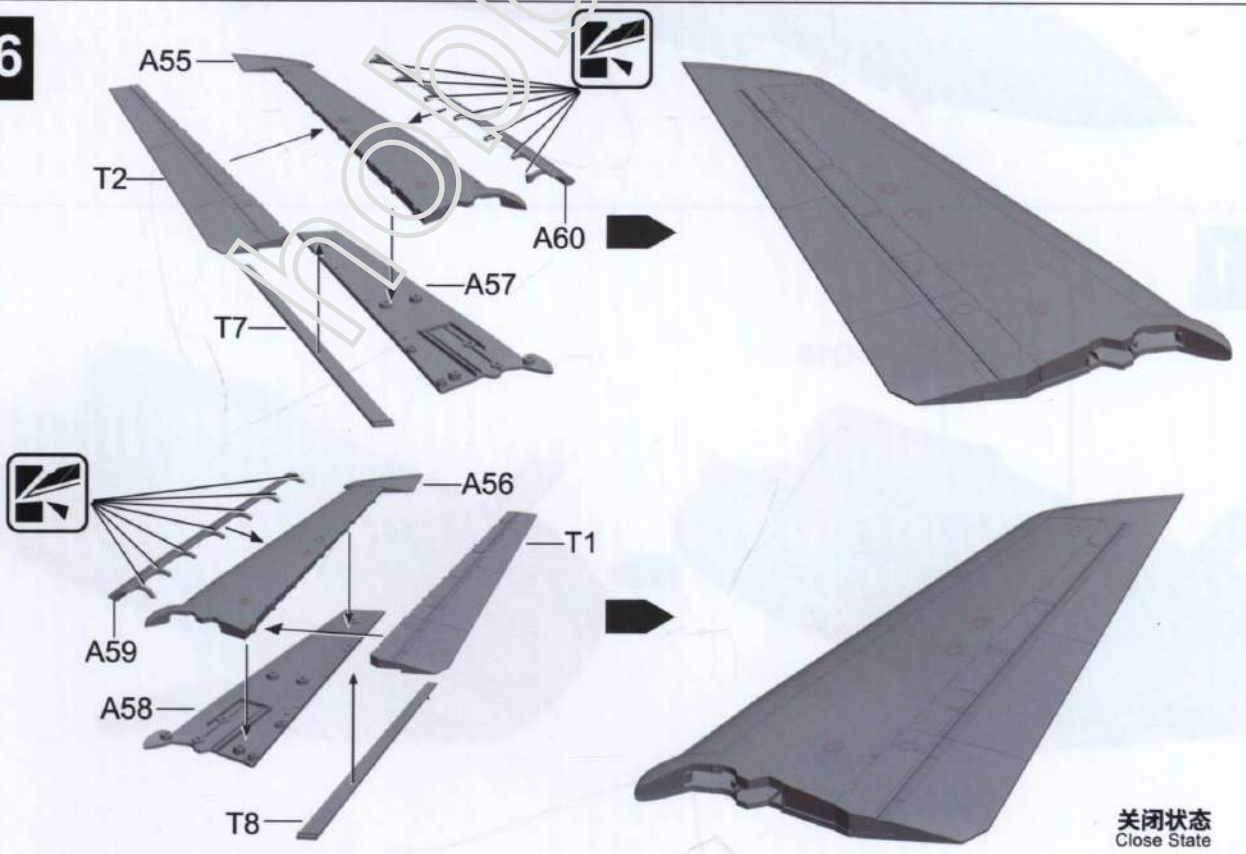


打开状态
Open State

15

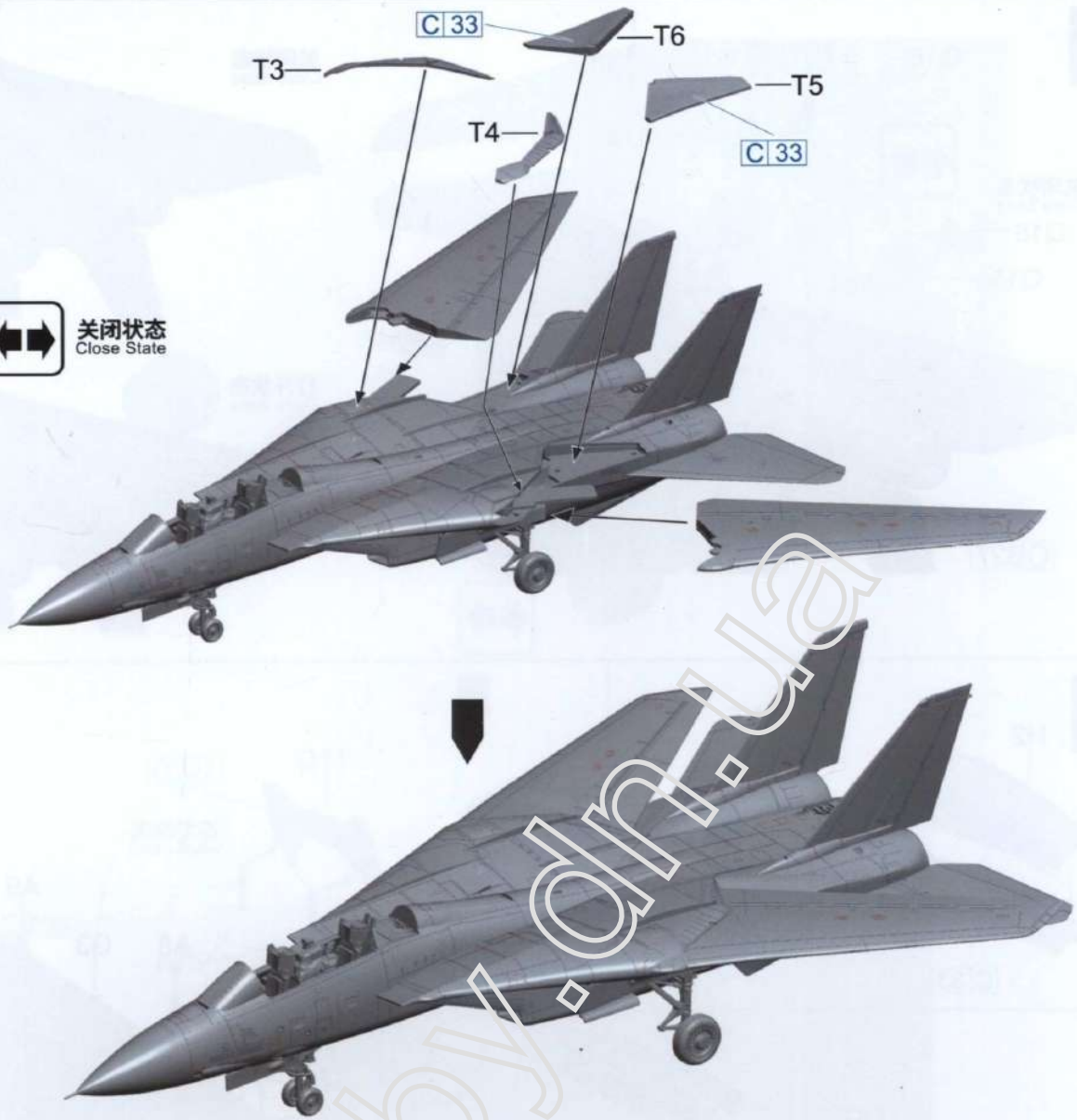


16



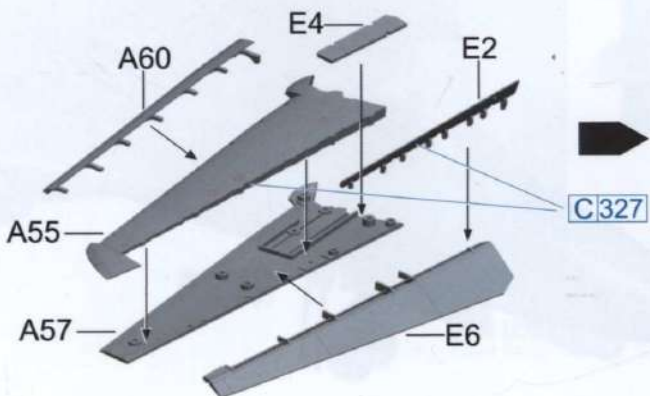
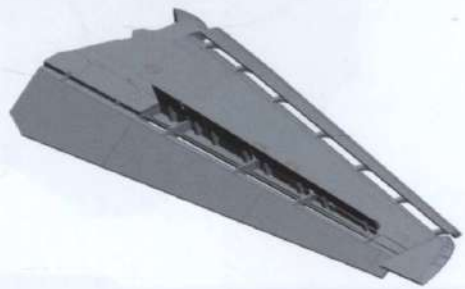
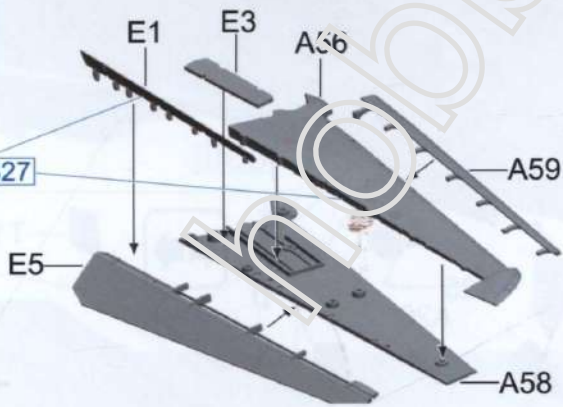
17

关闭状态
Close State



18

C327

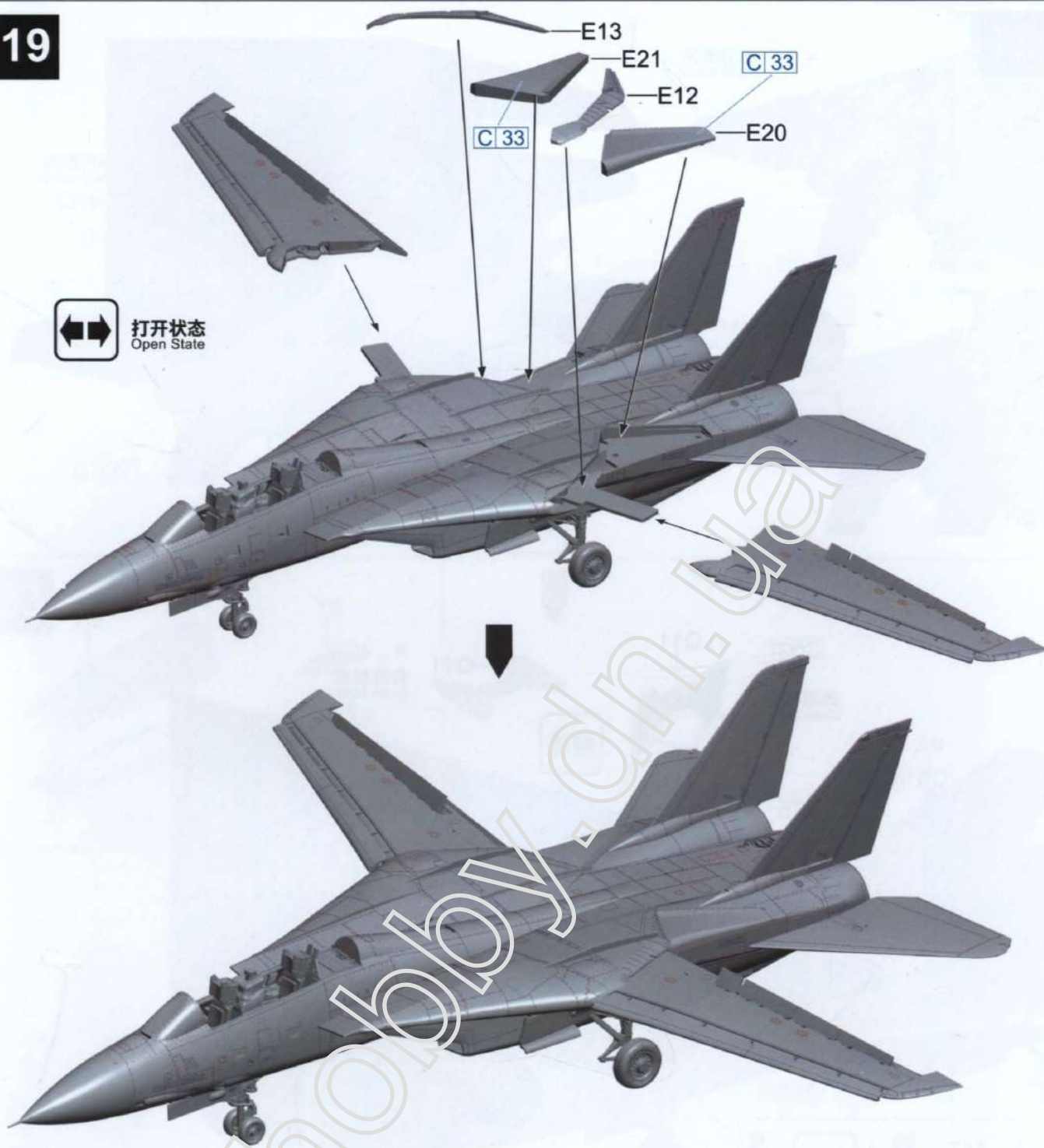


打开状态
Open State

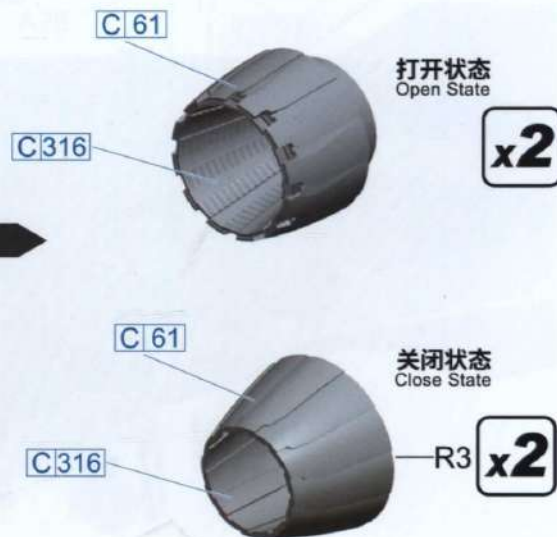
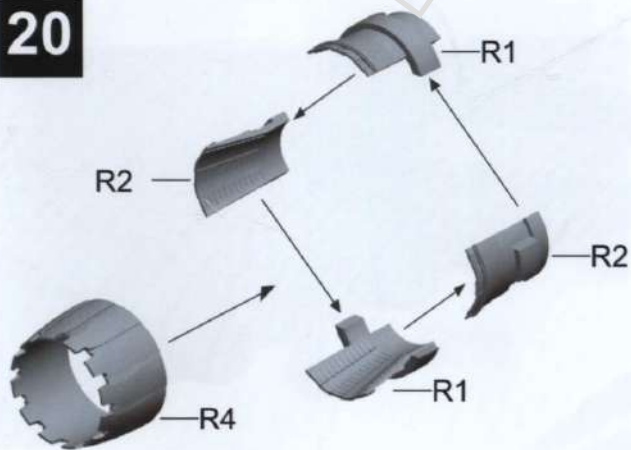
19

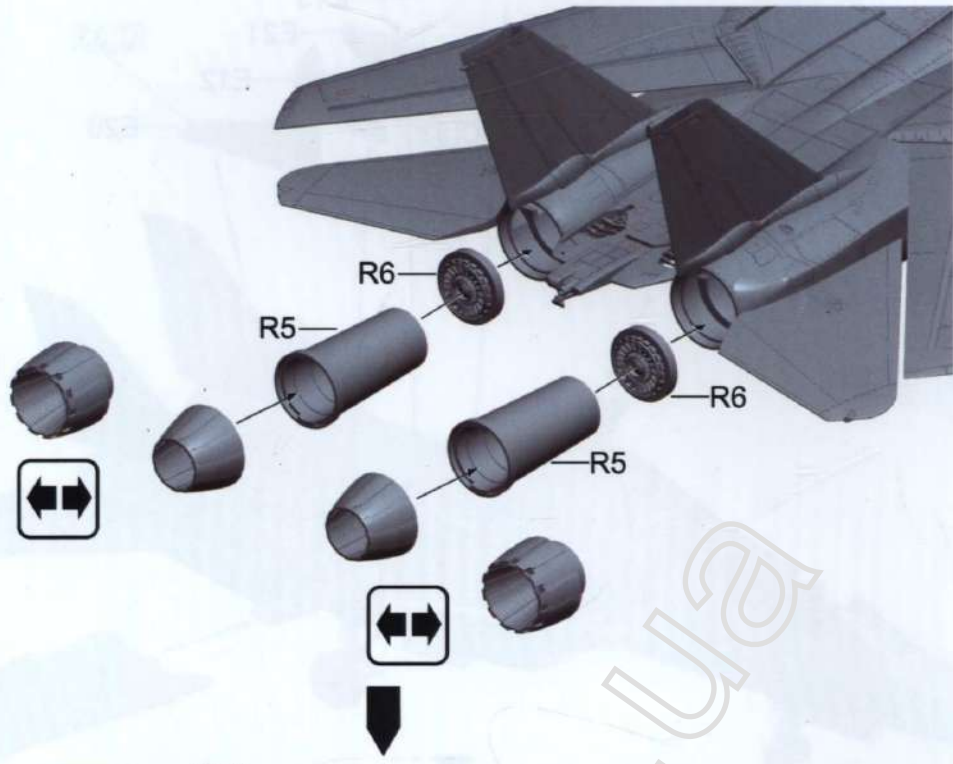


打开状态
Open State



20





打开状态
Open State



关闭状态
Close State

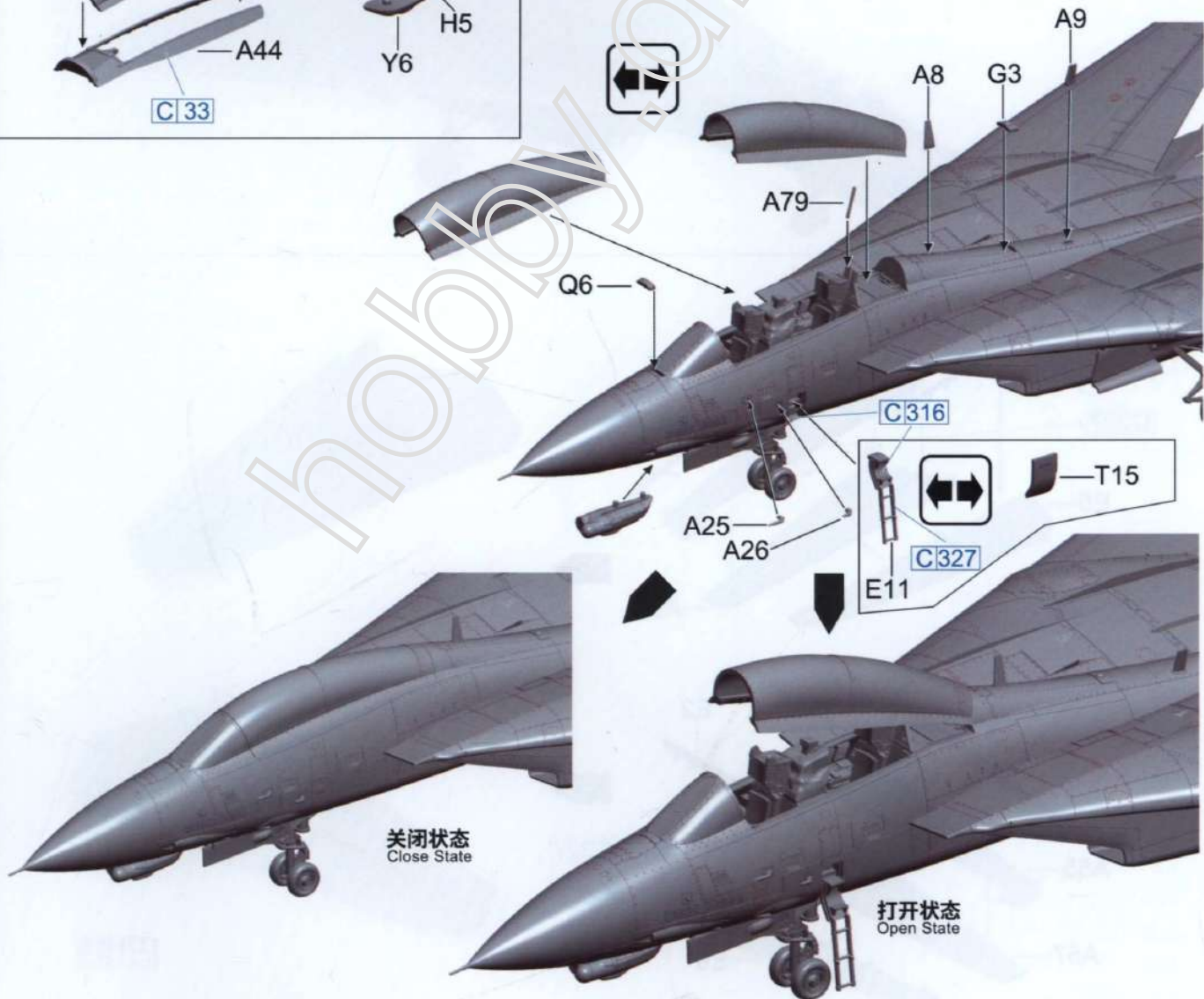
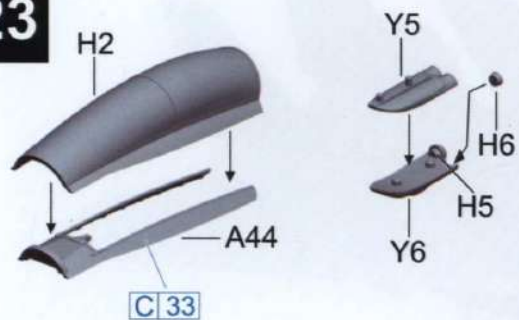
22



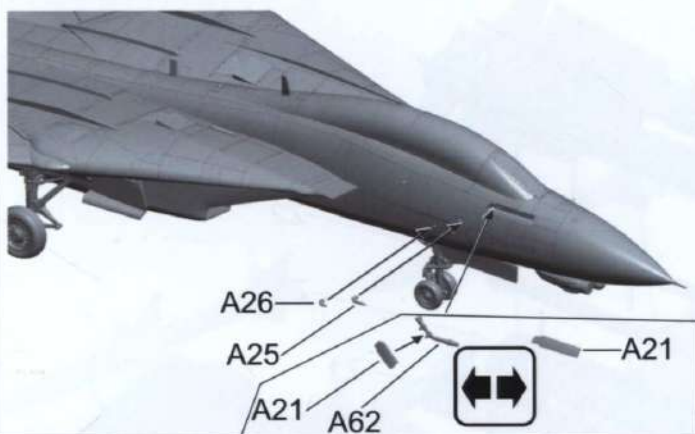
关闭状态
Close State

打开状态
Open State

23

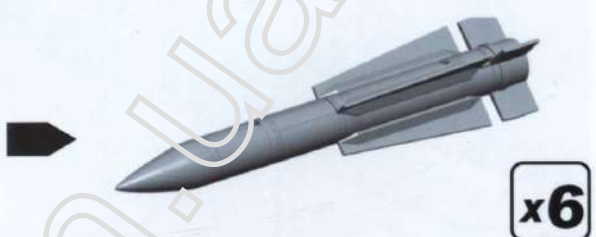
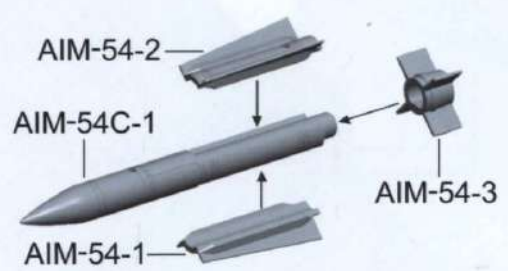


24

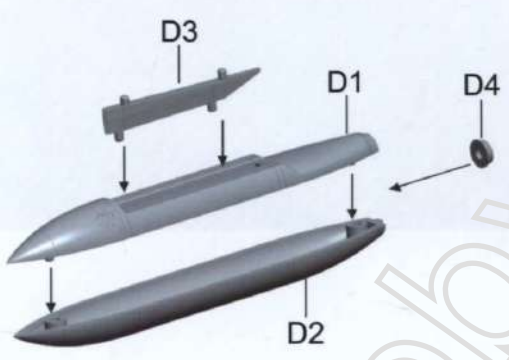


25

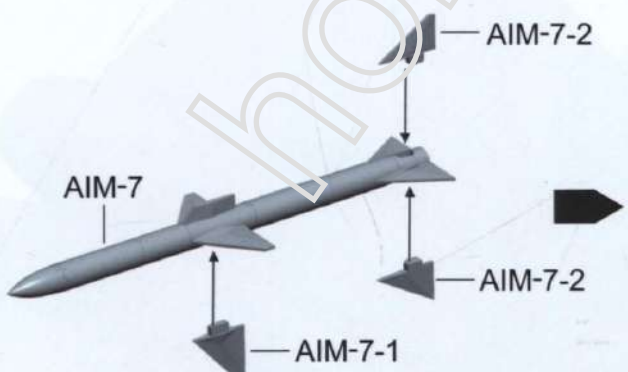
AIM-54C



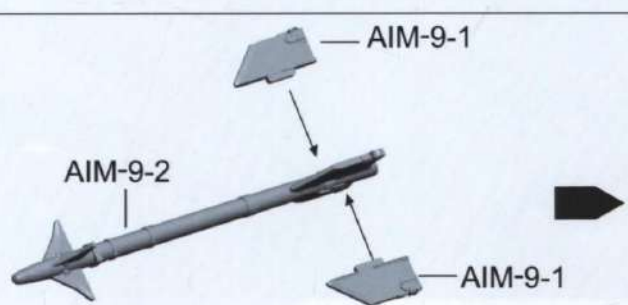
Tank



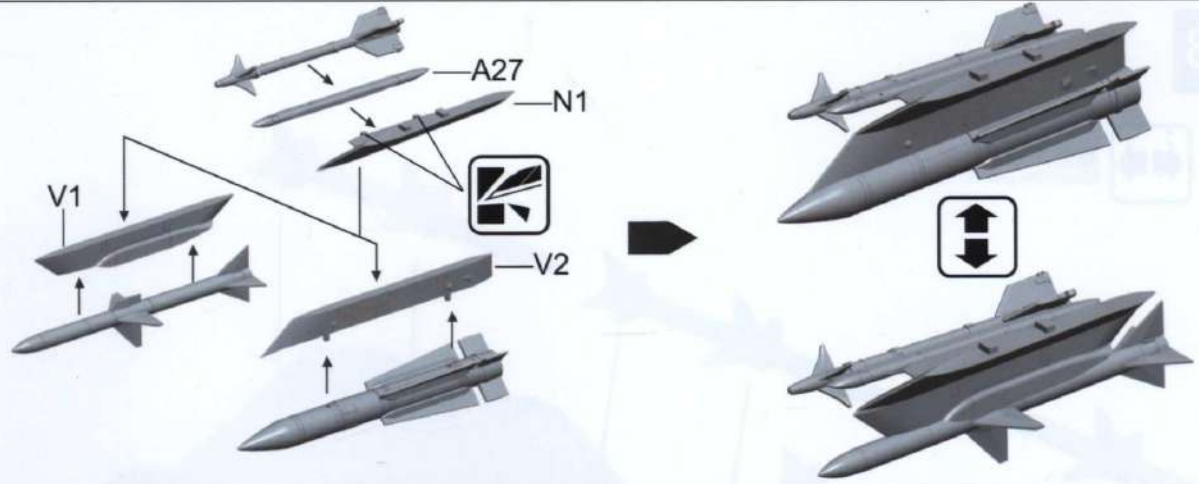
AIM-7



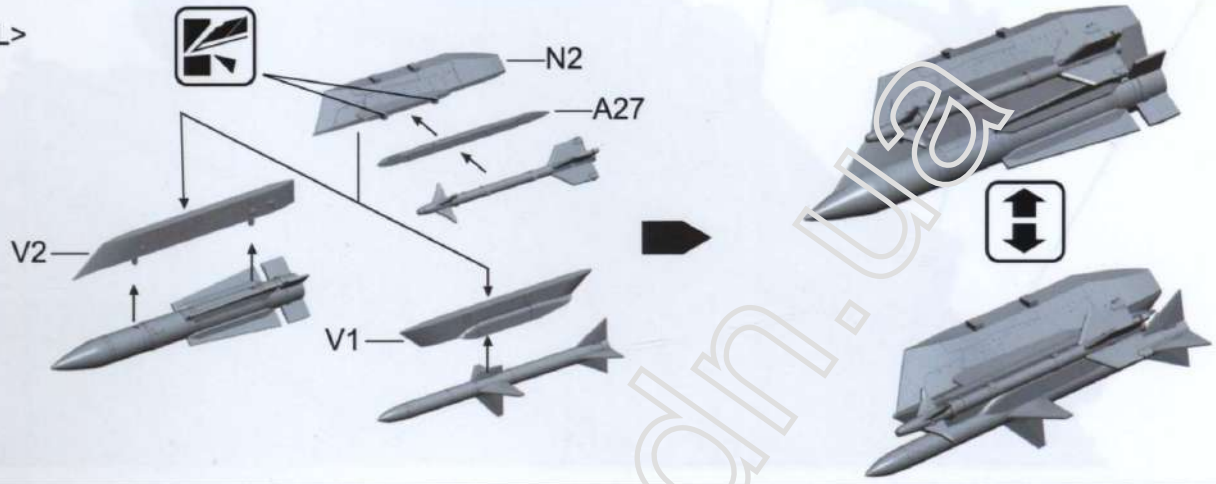
AIM-9



<R>



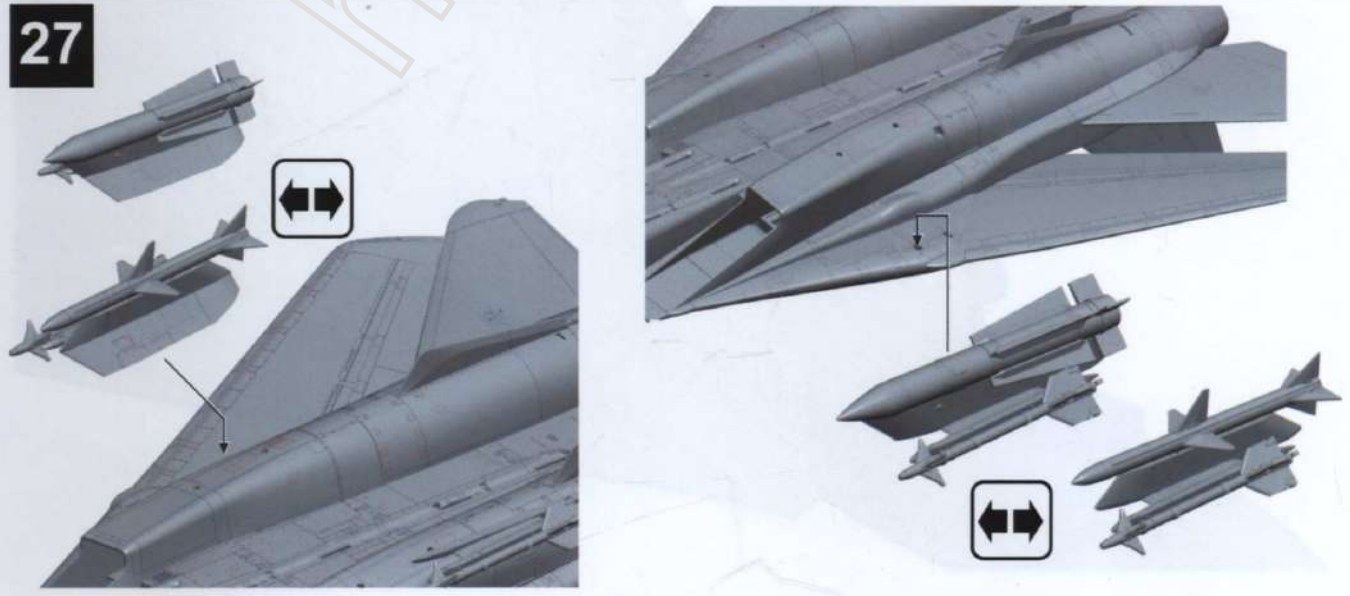
<L>



26



27



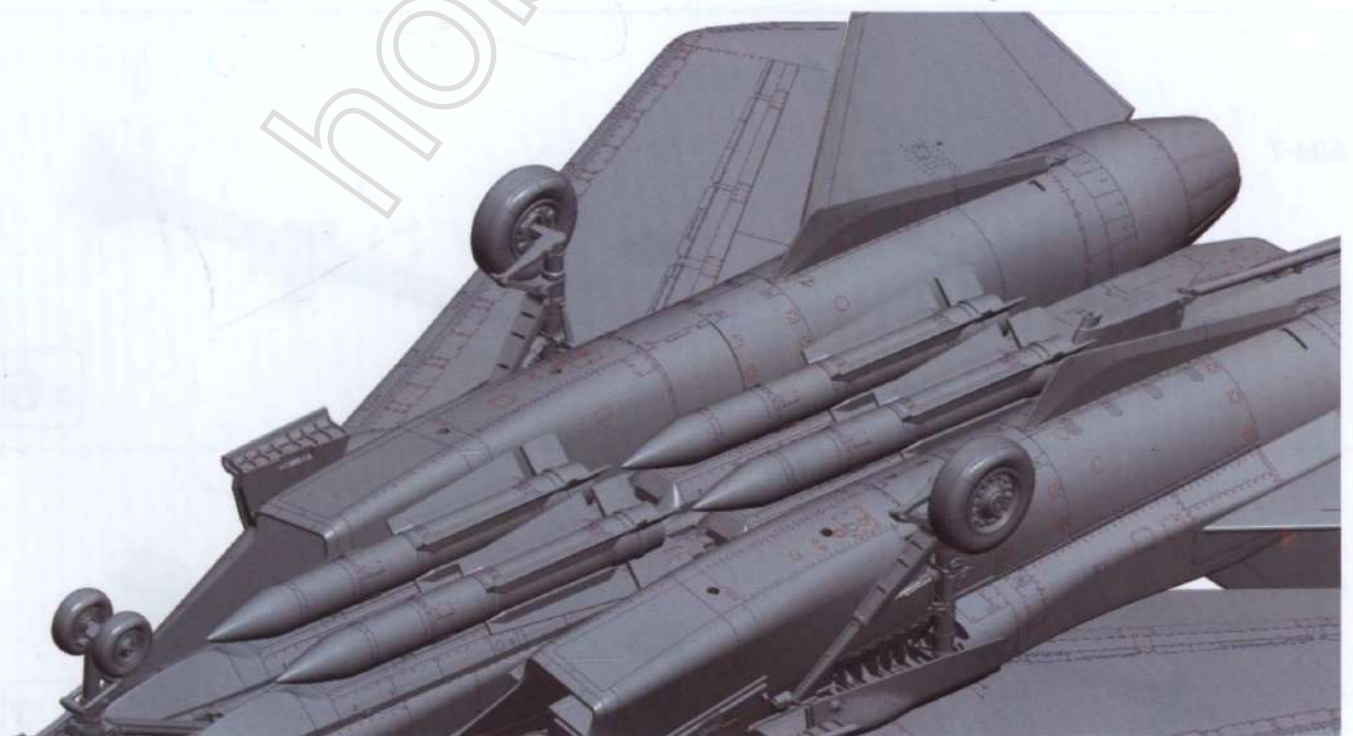
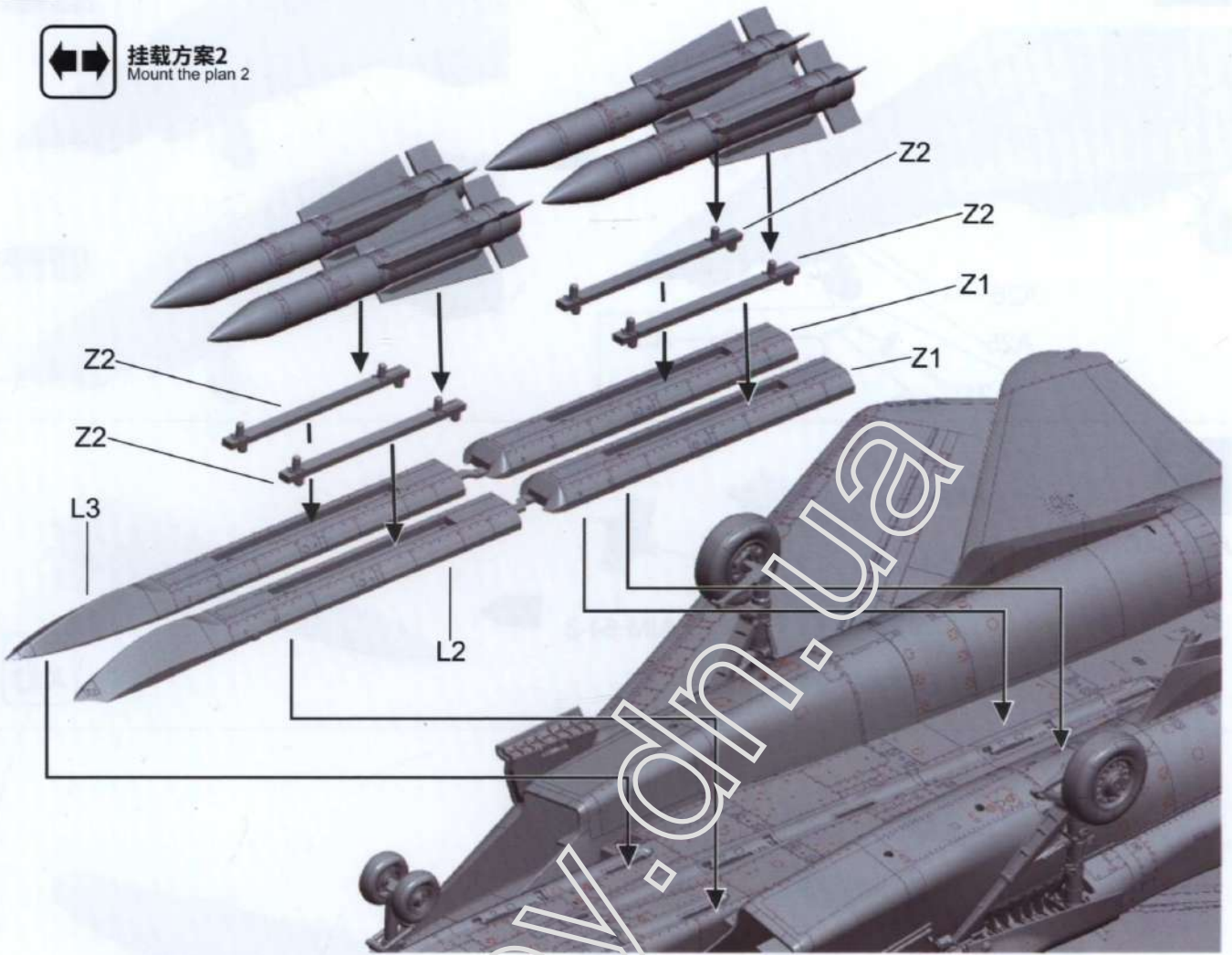


挂载方案1
Mount the plan 1





挂载方案2
Mount the plan 2



F-14D BuNo 163901 NE100, VF-2 BOUNTY HUNTERS NAS Miramar, 1995;
 F-14D 163901 NE100, VF-2 "黄金猎手"中队, 米拉玛海军航空站, 1995年;



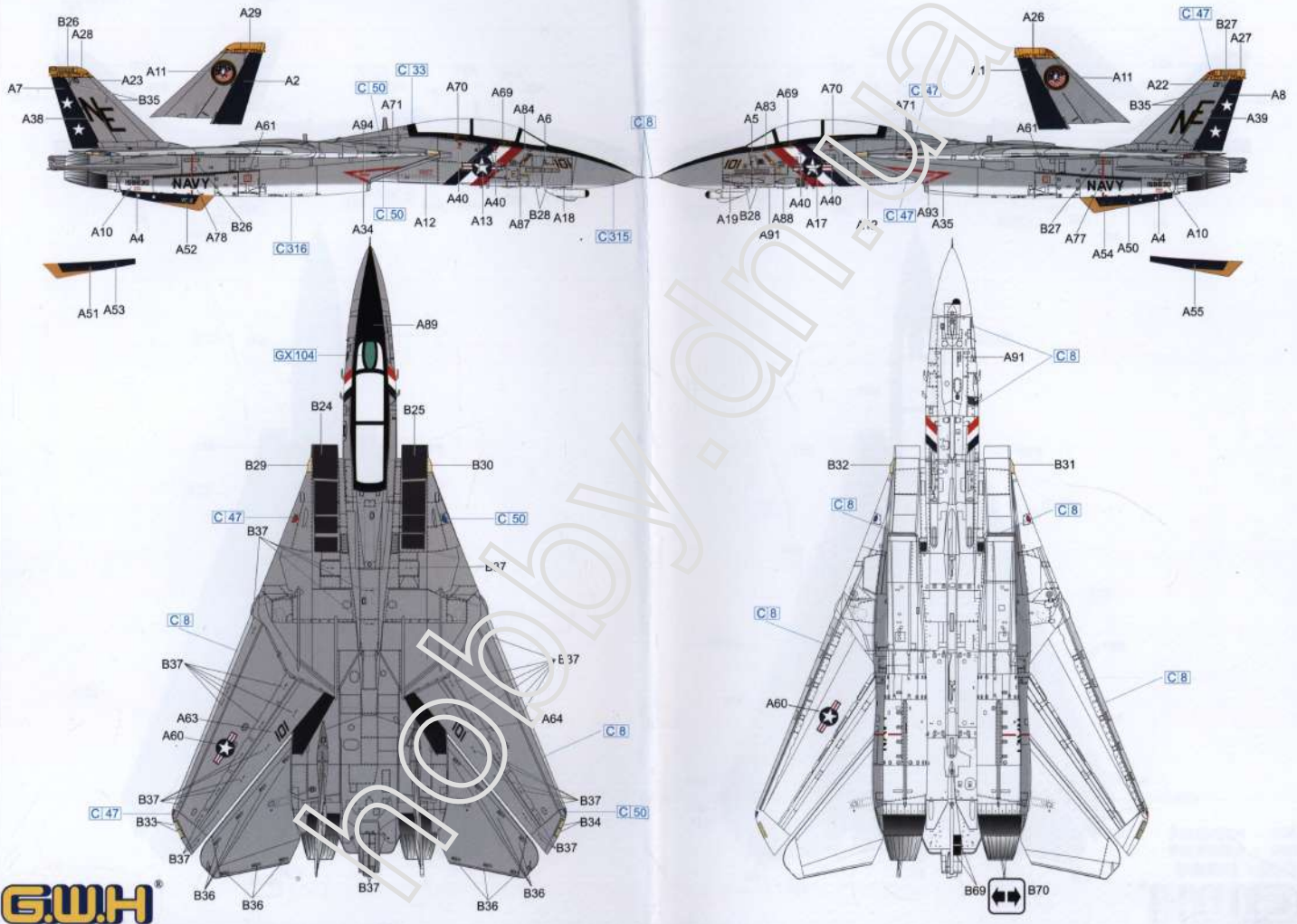
A00 : 水贴A版编号
 B00 : 水贴B版编号
 C.00 : 油漆编号

G.W.H[®]

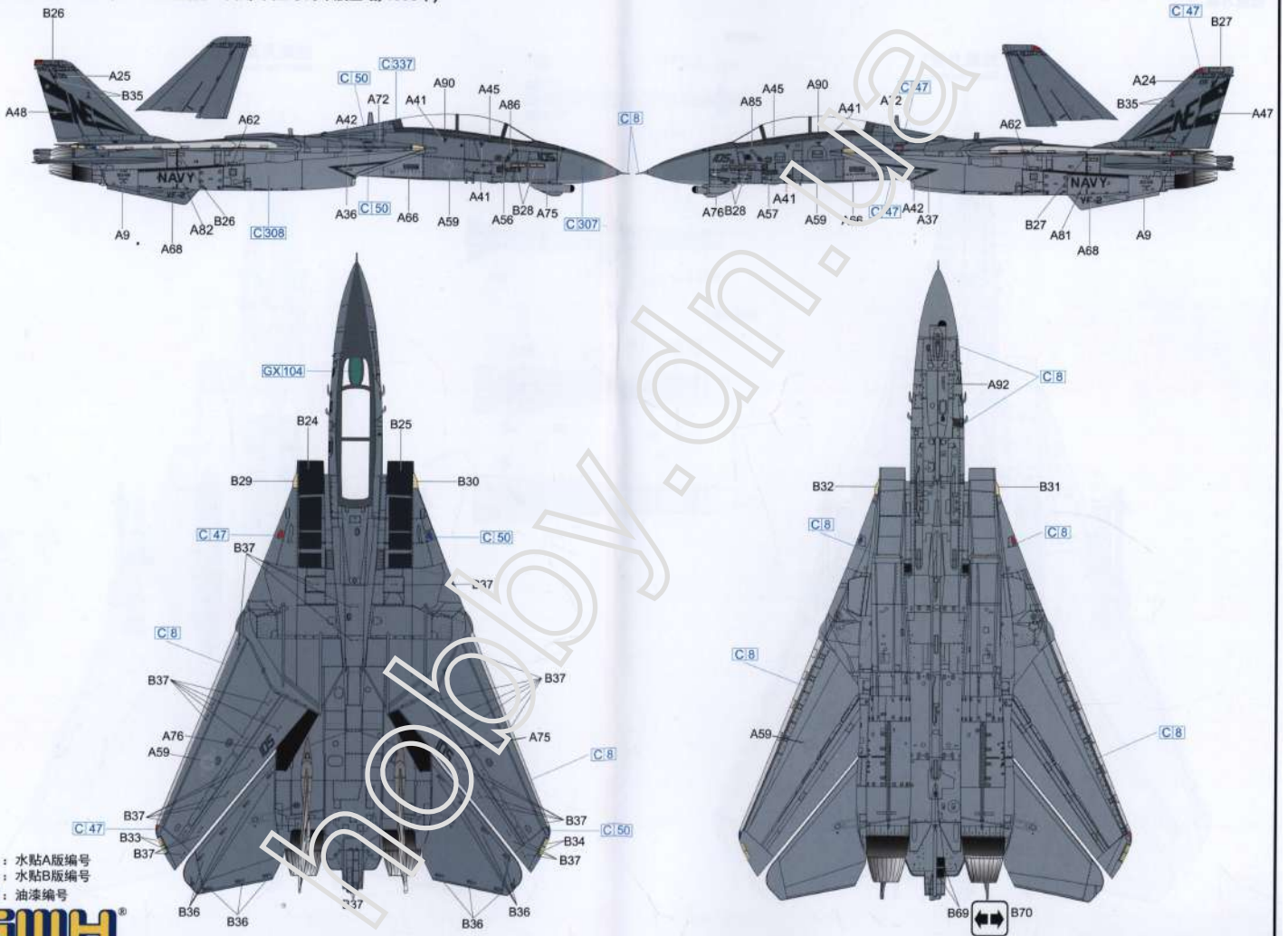
SHANGHAI LEONARDO ART MODEL CO LTD

L7203 F-14D TOMCAT

F-14D BuNo 159630, NE101, VF-2 BOUNTY HUNTERS, TOMCAT 25th ANNIVERSARY, USS CV-64 CONSTELLATION, 1997;
 F-14D 159630 NE101 VF-2“赏金猎手”中队, 雄猫服役25周年纪念涂装, “星座”号航空母舰, 1997年



F-14D BuNo 163418 NE105, VF-2 BOUNTY HUNTERS NAS Miramar, 1995;
 F-14D 163418 NE105, VF-2 "赏金猎手"中队, 米拉玛 海军航空站, 1995年;

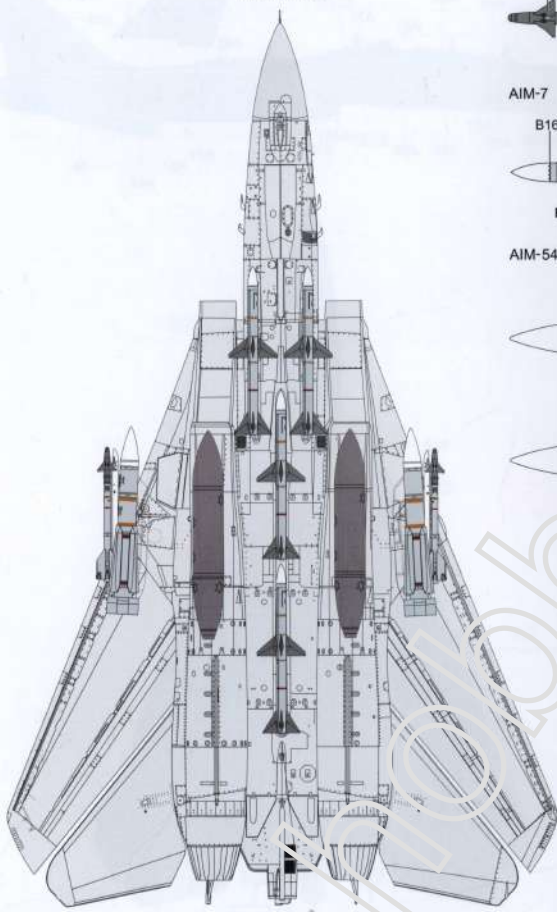


A00 : 水贴A版编号
 B00 : 水贴B版编号
 C00 : 油漆编号

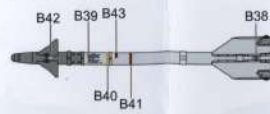
G.W.H
 SHANGHAI LION ROAR ART MODEL CO. LTD

Mount the plan
挂载方案

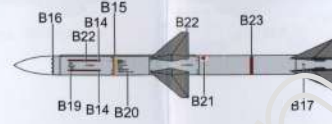
挂载方案1
Mount the plan 1



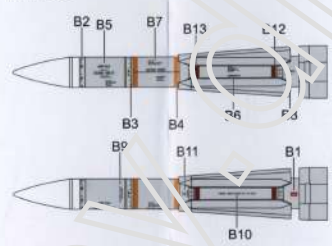
AIM-9



AIM-7



AIM-54C



挂载方案2
Mount the plan 2

