

1:35 Scale

Item No.:83828



# Finnish T-50 Tank

フィンランド陸軍 T-50 軽戦車

芬兰T-50坦克

### PLEASE READ BEFORE OPERATION!

- \* Tools recommended as below: (Not included)  
Adhesives; Paints; Side Cutters; Sharp Edged Pliers; Modeling Knife; Modeling File; Nippers; Drill; Scissors; Sand Paper; Soft Cloth; Cyanoacrylate Glue.
- \* Make sure to read this instruction listed below before assembling.
- \* The kit contains the small parts, they can be dangerous if swallowed by mistake, so keep them away from reach of children.
- \* Cut the all parts off carefully and remove the waste parts into the garbage can.
- \* More caution and care should be needed for cutting and handling the photo etched parts.
- \* Make attention that some parts should be attached the decal when assembled.
- \* During assembling, please tear up and throw away the plastic bags, or may cause the dangerous if wearing over head by children's mistake.
- \* When using the adhesives and paints, please do not use them in the closed room or near the fire, also must be very careful to protect your eyes, face and clothes.
- \* Adult supervised when assembled by children under 14 years old.

### 装配前请仔细阅读:

- \* 推荐使用的模型工具(请自备):  
专用模型胶水, 专用模型油漆, 水口剪刀, 长咀钳, 刀片, 锉刀, 镊子钳, 钻, 剪刀, 软布, 砂纸, 瞬间快干胶等。
- \* 用水口剪刀或刀片小心切下所有塑胶零件和蚀刻片零件, 不要遗失小零件。
- \* 切取蚀刻片时应特别注意防止利边划伤手指。
- \* 用模型锉刀小心锉平所有零件表面的注射浇口。
- \* 用适量的强力快干胶水粘合蚀刻片零件和金属轴, 切忌过量, 否则可能导致可动零件被粘住。
- \* 注意某些零件表面需在装配时同步贴水上贴纸。
- \* 制作时应远离幼儿并将包装袋及时收妥, 谨防小孩玩耍而引起意外。



cyanoacrylate glue  
强力胶



weight  
配重



make hole  
钻孔



cut / remove  
切除



option  
选择



no cement  
不涂胶水



decal  
贴纸



bend  
弯曲



repair  
填补

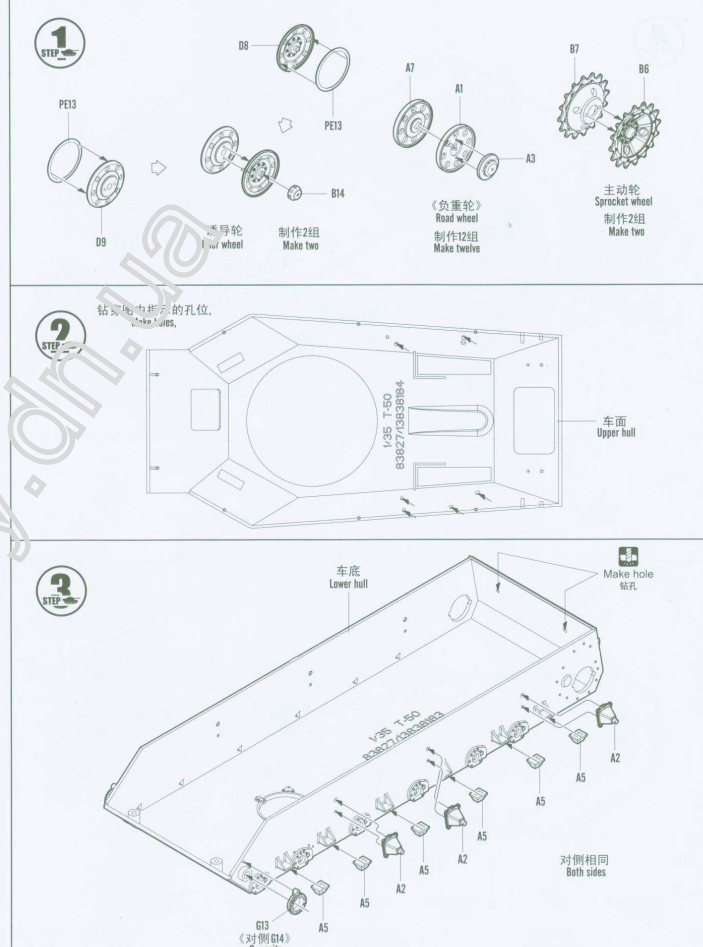
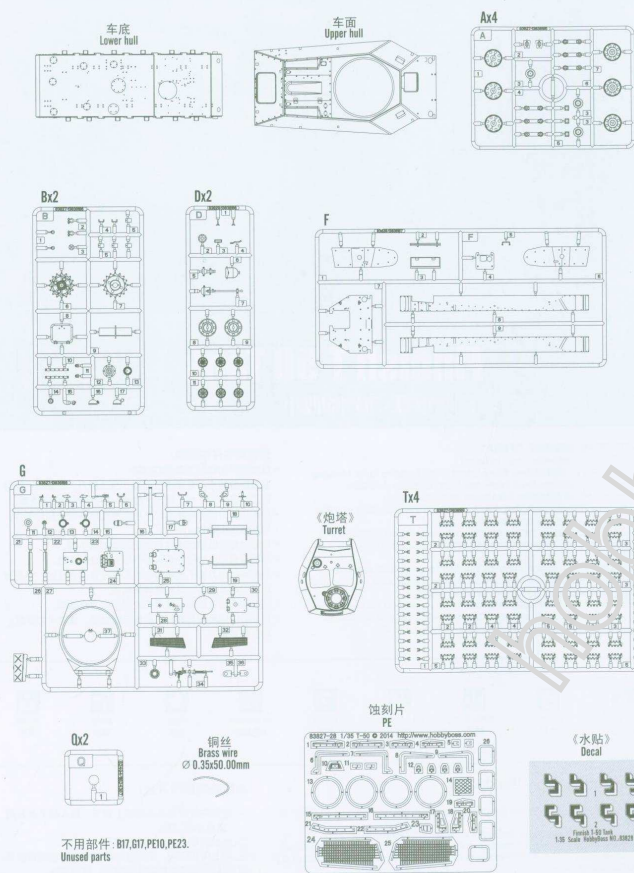
### The method to apply the decals

1. Cut off the decal from the decal paper and put it into the warm water 40°C for 10 seconds.
2. Take the decal from the water and put it on a piece of clean cloth.
3. Remove the decal slowly from the paper to the targeted location by a wet finger.
4. Use a piece of dry and soft cloth to press it gently on the decal until it getting dry and no bubble existing.

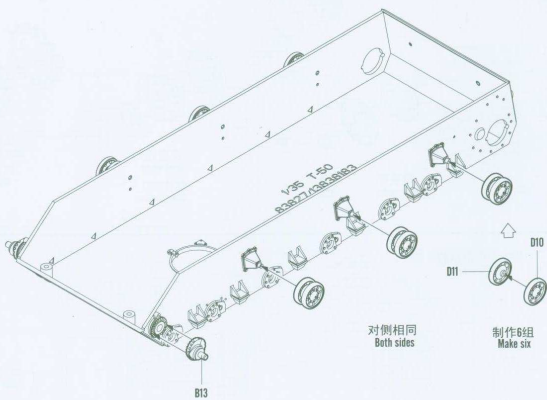
### 水贴纸的使用方法:

- 一. 把相关的印花从水贴纸上剪下, 放入40°C左右的温水中浸10秒。
- 二. 然后将印花放在干净的布上。
- 三. 拿上印花纸版, 手指蘸水将印花移到适当的位置。
- 四. 用软干布轻压印花直至水干, 气泡消失。

部品图  
Parts



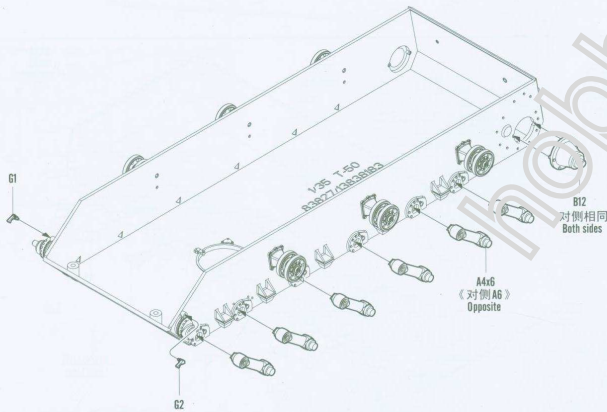
STEP 4



对侧相同  
Both sides

制作6组  
Make six

B13



B12  
对侧相同  
Both sides

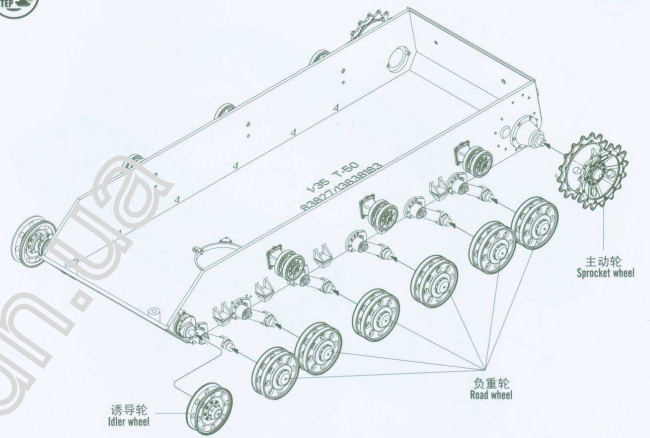
A4x6  
(对侧A6)  
Opposite

G2

83828

4

STEP 5



诱导轮  
Idler wheel

主动轮  
Sprocket wheel

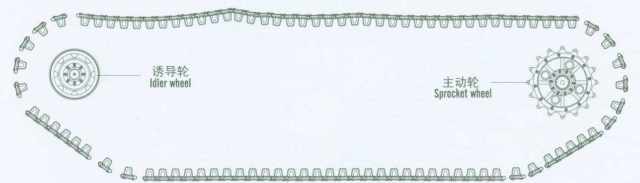
负重轮  
Road wheel

对侧相同  
Both sides

STEP 6

履带联接  
Track construction

单侧履带需93节  
Complete track for one side requires 93 links



诱导轮  
Idler wheel

主动轮  
Sprocket wheel

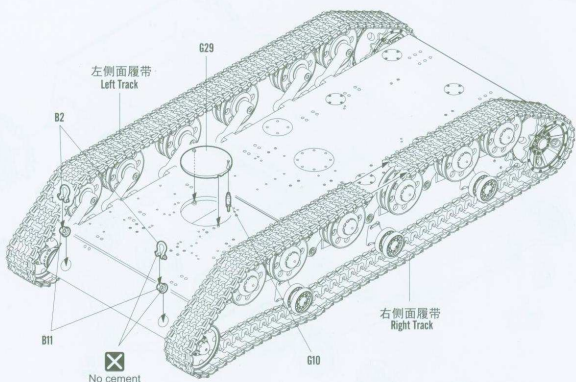
T1  
T2 (对侧A3)  
Opposite  
制作74组  
Make seventy-four

T1  
T5 (对侧A4)  
Opposite  
制作19组  
Make nineteen

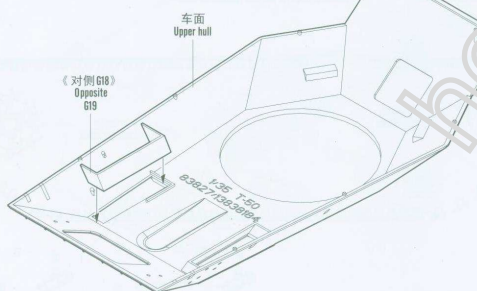
83828

5

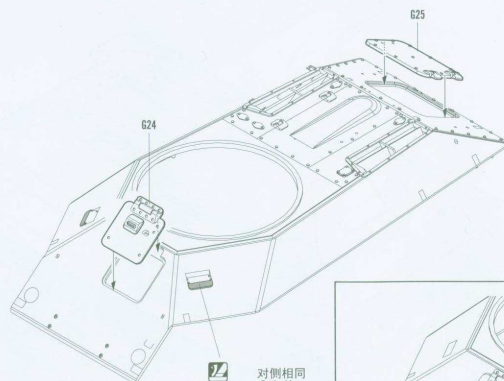
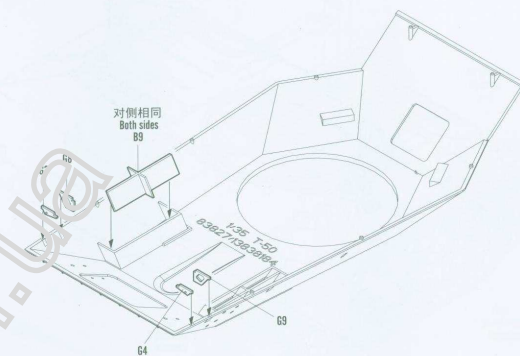
7  
STEP

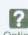


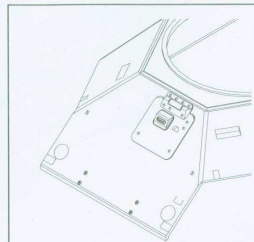
8  
STEP



9  
STEP



 对侧相同 Both sides  
 Cut / Remove 剪除  
 Option 参考第11页  
 选择



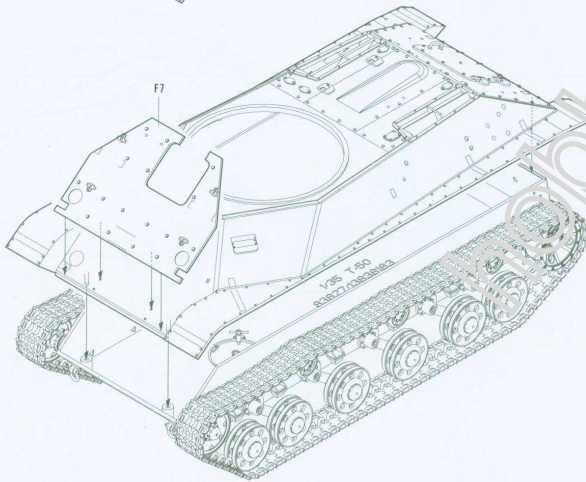
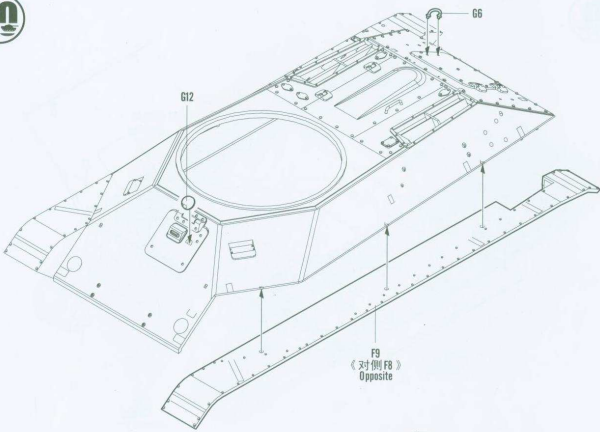
83828

6

83828

7

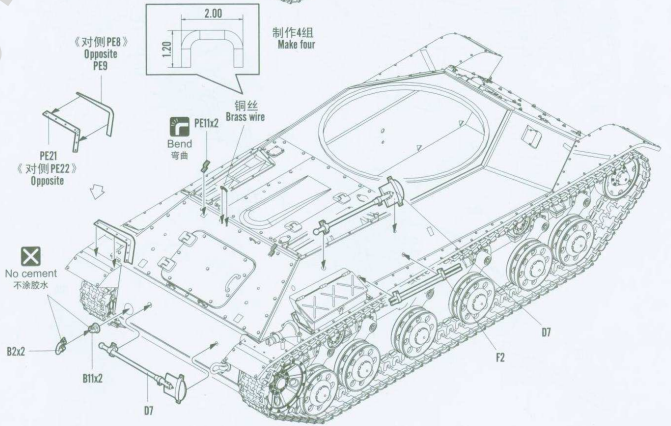
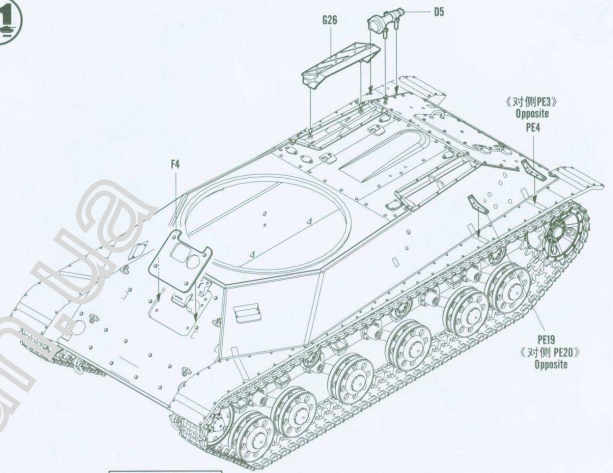
10  
STEP



83828

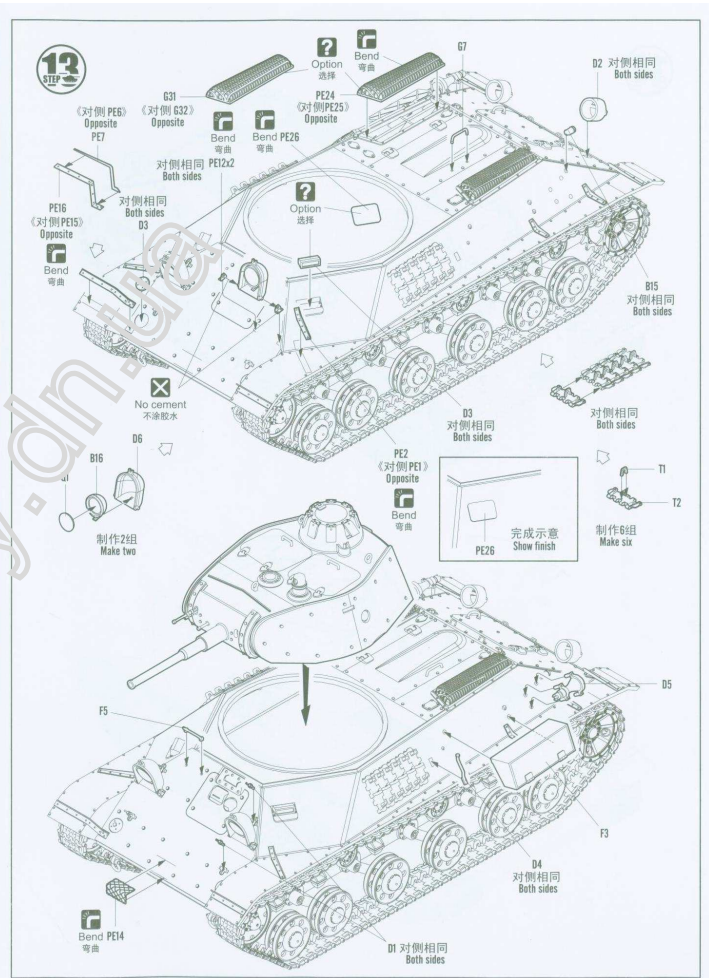
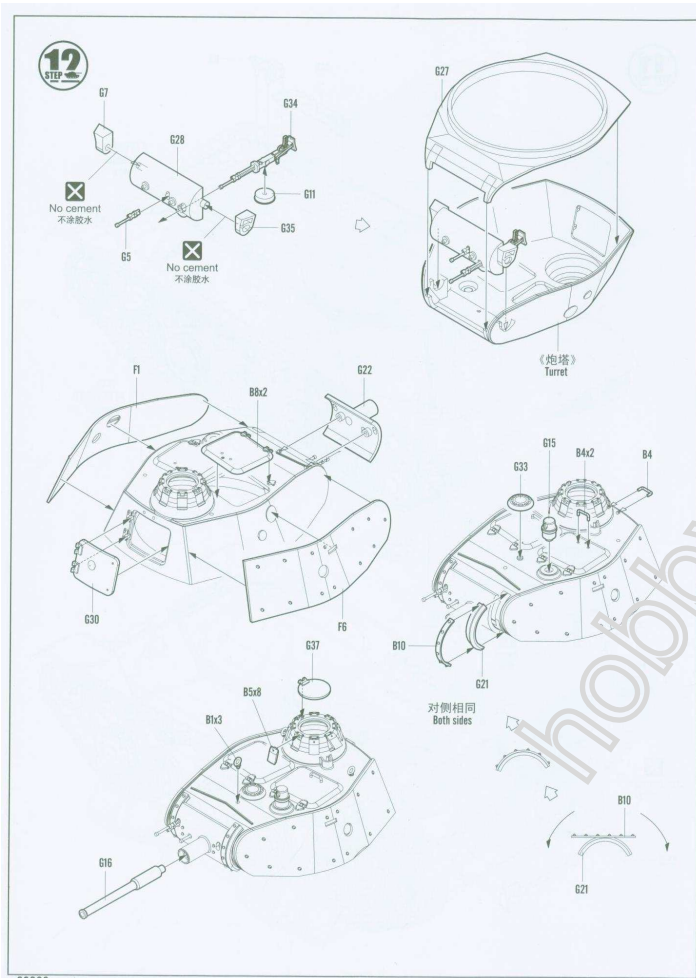
8

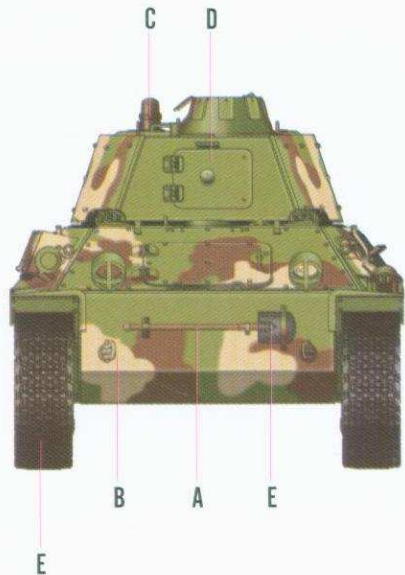
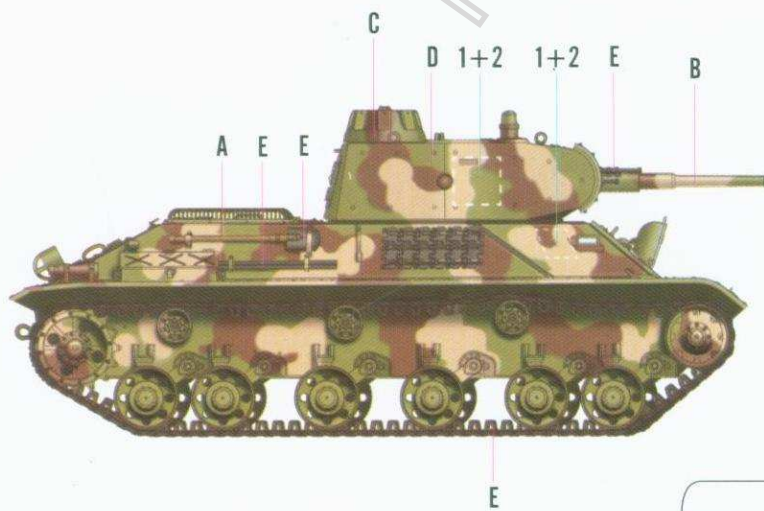
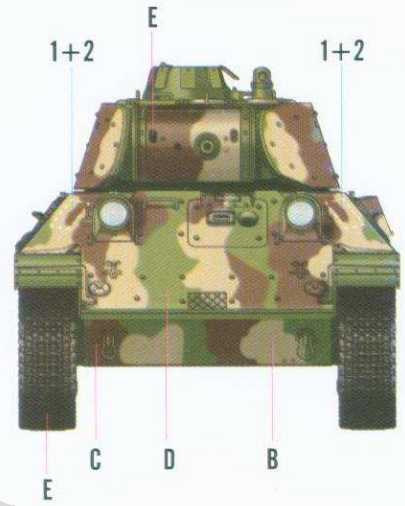
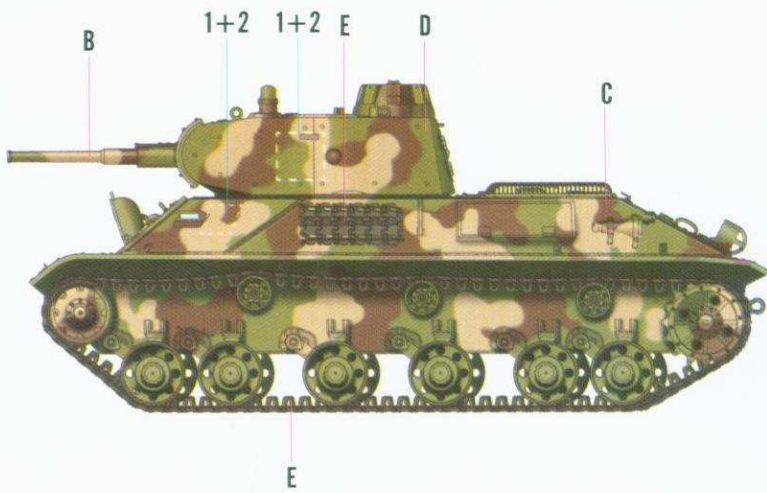
11  
STEP



83828

9





Color	Mr.Hobby	Vallejo	Model Master	Tamiya	Humbrol
<b>A</b> 木棕色 Wood Brown	H 37 43	983	1701	--	186
<b>B</b> 砂黄色 Sandk Yellow (DarkYellow)	H 79 39	824	--	XF59	111
<b>C</b> 红棕色 Red Brown	H 47 41	984	--	XF64	160
<b>D</b> 苏联绿 Russian Green(1)	H 135	--	--	--	--
<b>E</b> 黑铁色 Steel	H 18 28	864	1402	--	--