

Instruction

模型拼裝說明書

1:35 Scale



**KITTY
HAWK**

AH-6M/MH-6M

Little Bird Nightstalkers



美国AH-6M/MH-6M“小鸟”直升机



淘宝展示店

kittyhawkmodel@vip.sina.com
elitetorn@126.com

KH50002

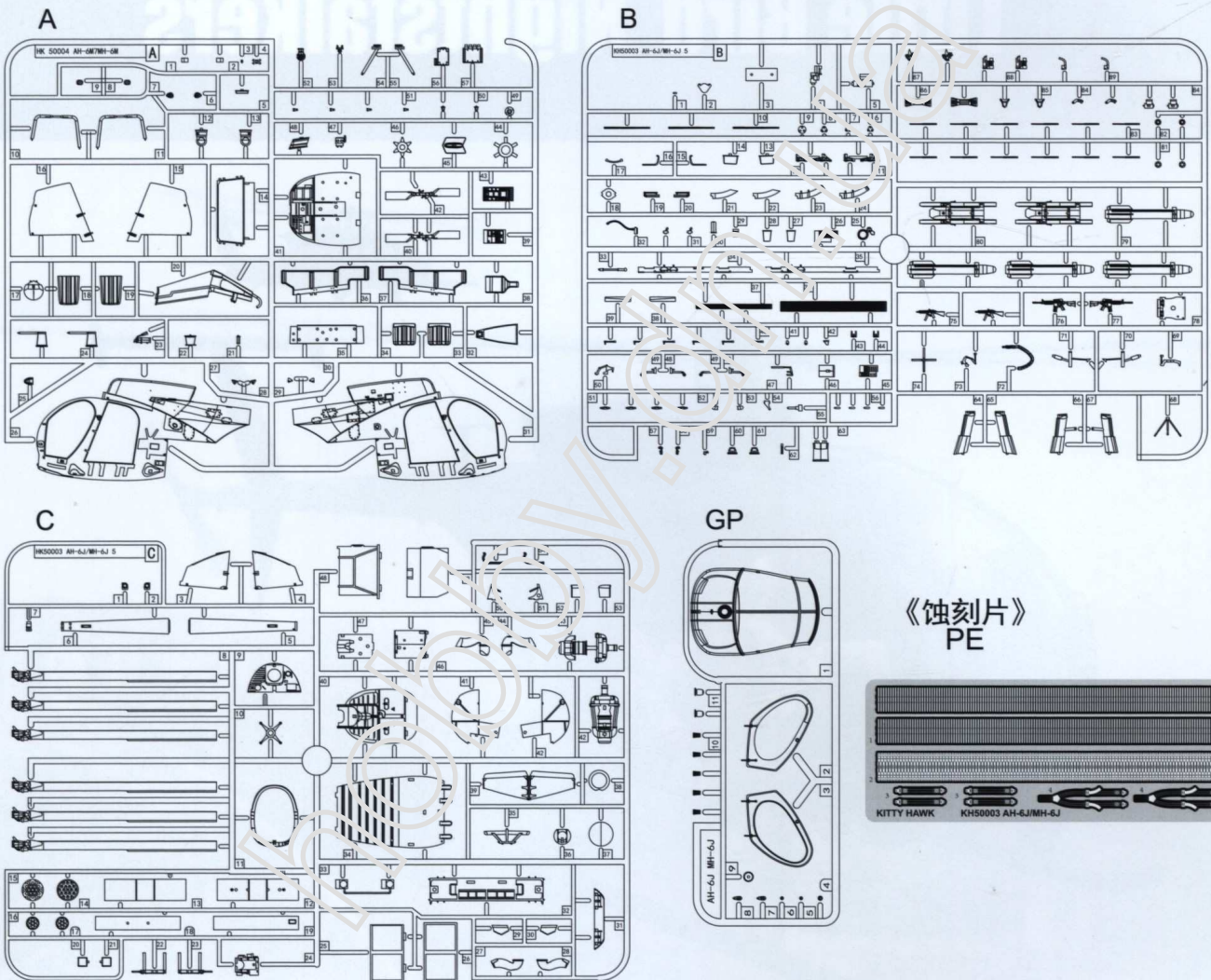
READ BEFORE ASSEMBLY

在組合您的模型之前，請充分閱讀本冊說明書。組合模型您需要如下物品（需另購）：模型膠水；一把模型鉗或一把用於將零件從框架上切下的模型筆刀。筆刀同樣可以用來修整零件的合模綫。祝您制作愉快！

Before assembling your model kit, read through these instructions carefully. To assemble this kit, you will need Plastic glue (not included). A pair of side cutter or a sharp modelling knife is required for removing parts from the frame. Plastic mold lines can be removed with the modelling knife.

-  **請注意**
Special instructions
-  **隨愛好選擇**
Optional
-  **組合完成**
Finished Assembly
-  **彎曲**
Bend
-  **制作兩組**
Make Two
-  **鉆孔**
Make Hole
-  **塗色**
Painting
-  **無需膠粘**
Do Not Cement
-  **切除**
Cut
-  **對側**
Opposite

部品图 Part



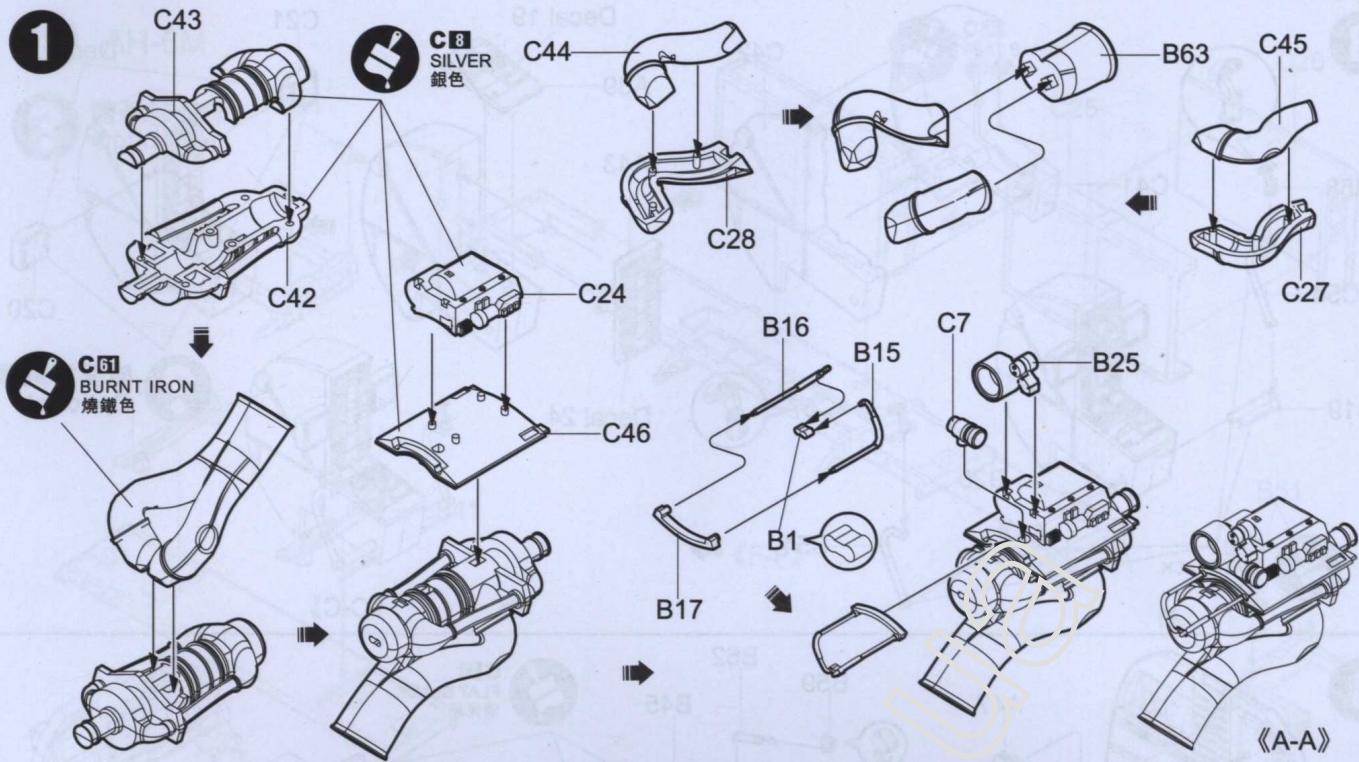
《树脂零件》 RESIN PART



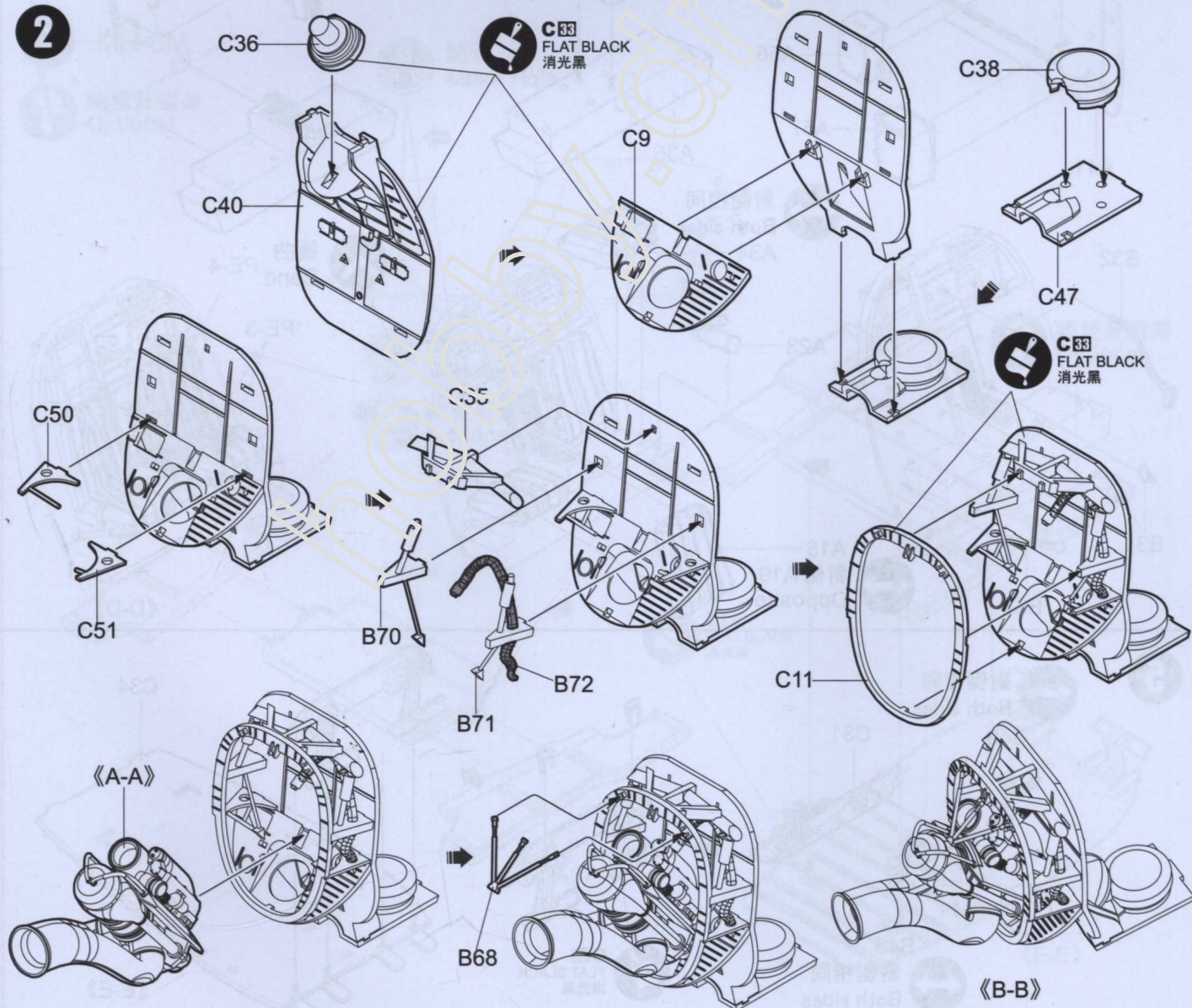
《水贴纸A》 Decal A



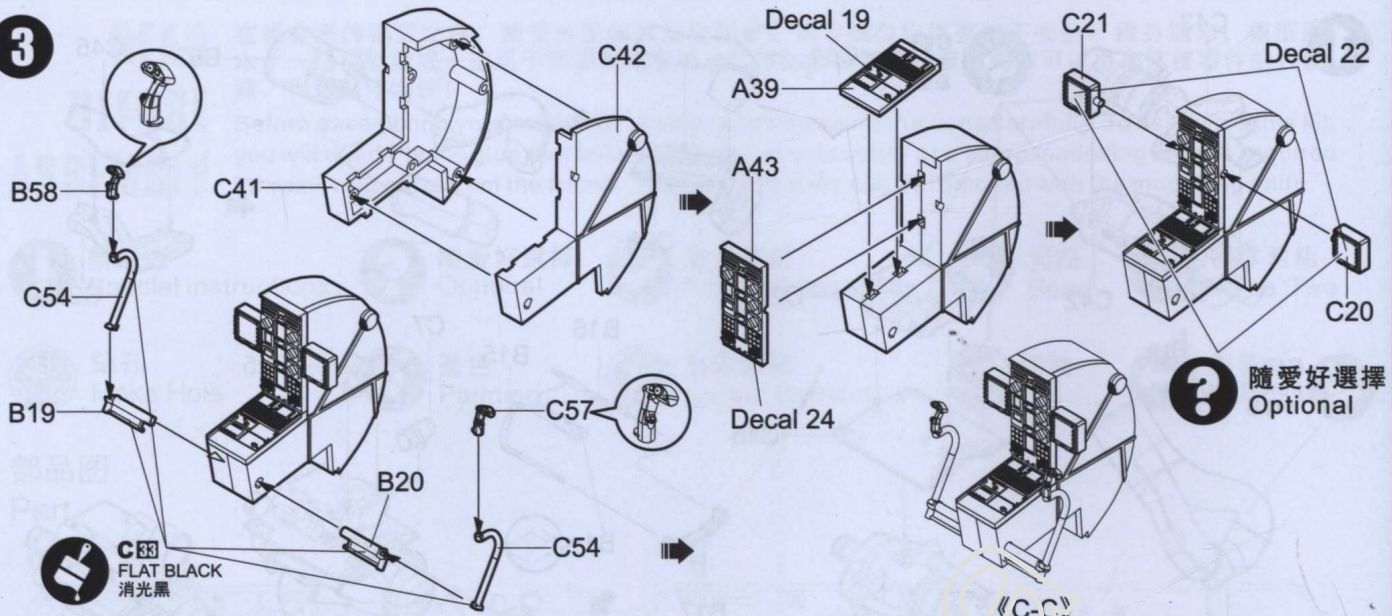
1



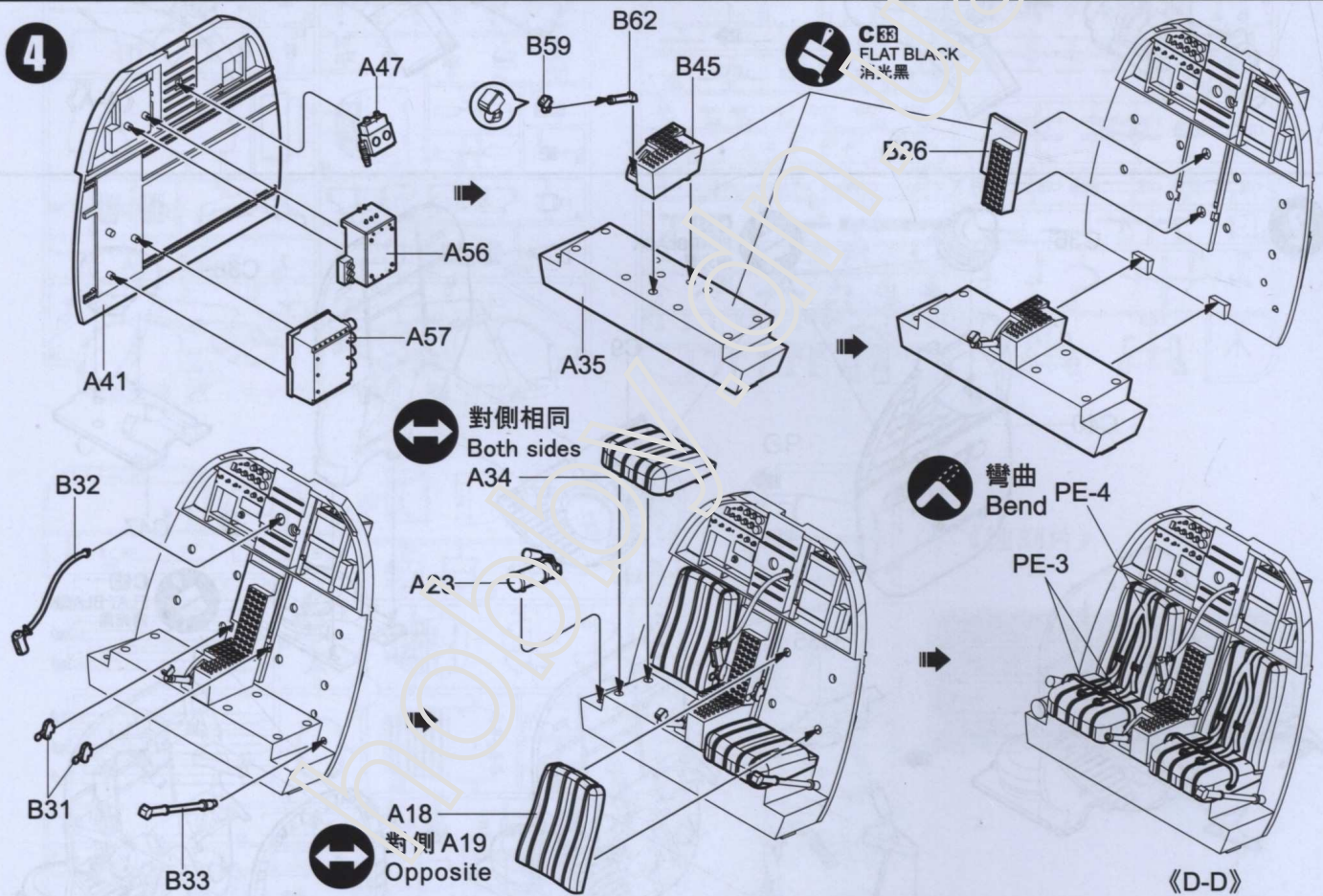
2



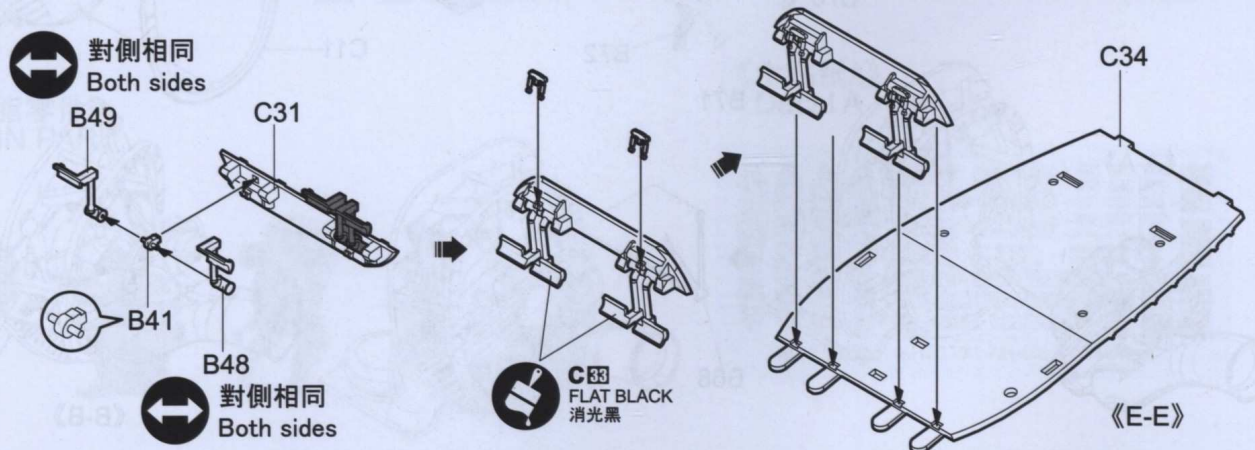
3



4

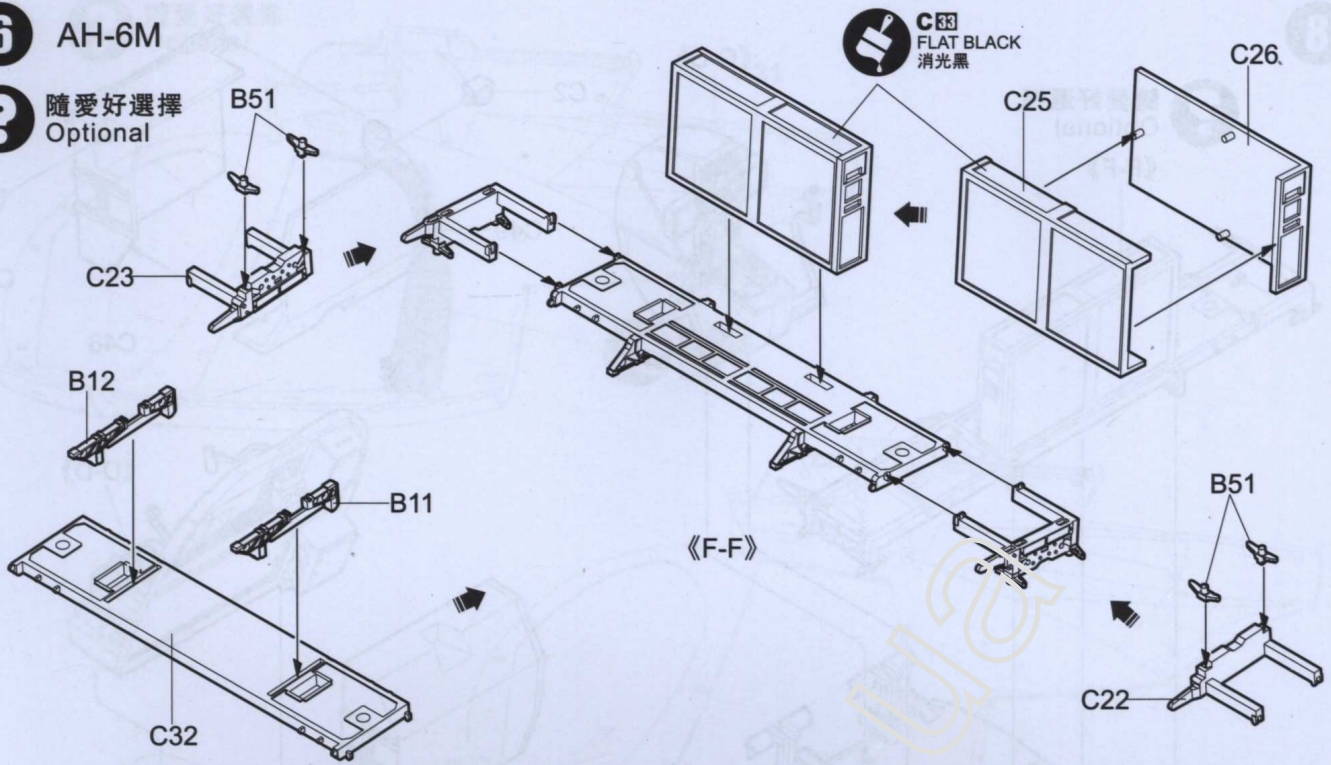


5



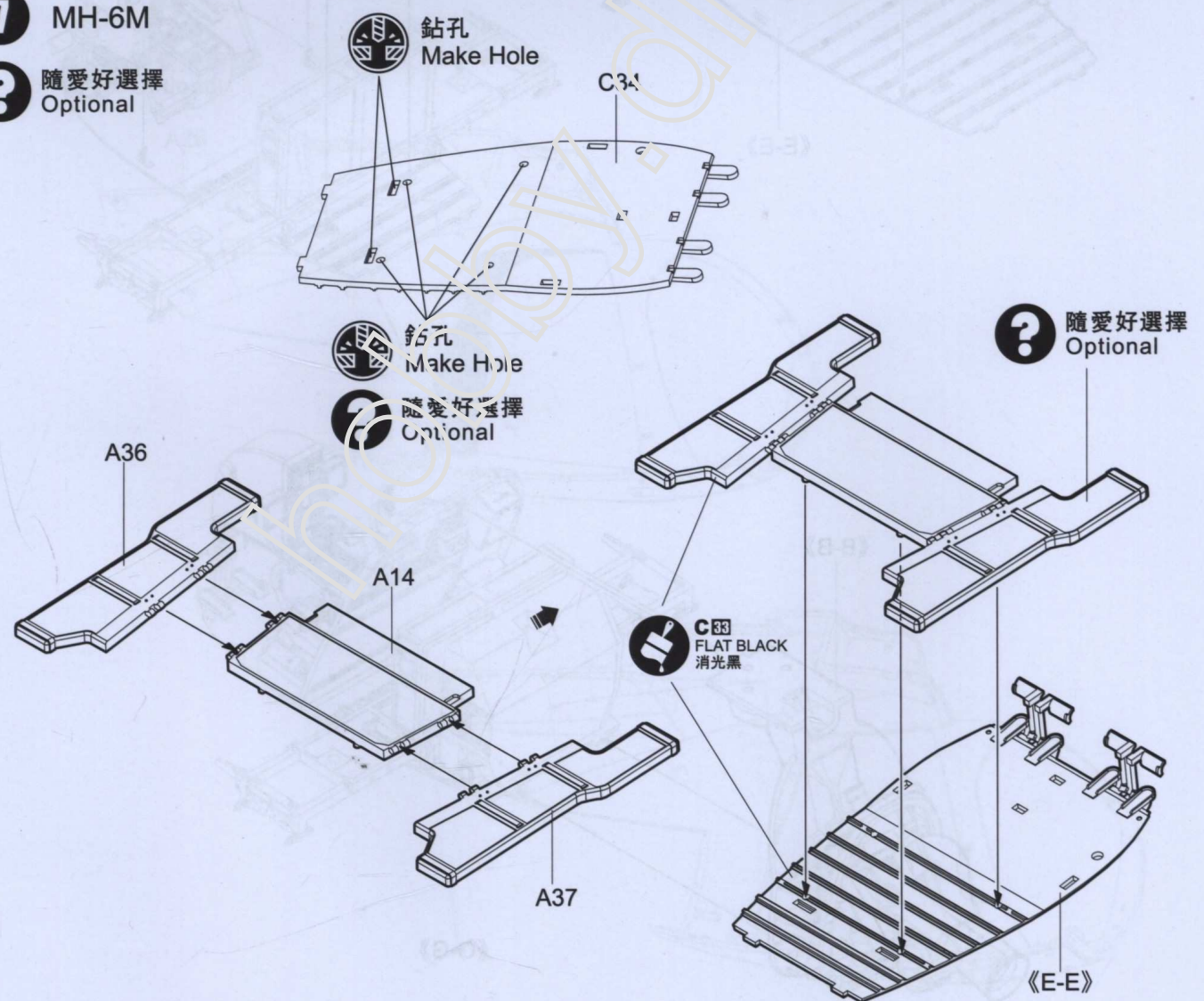
6 AH-6M

? 隨愛好選擇
Optional



7 MH-6M

? 隨愛好選擇
Optional



8

? 隨愛好選擇
Optional
《F-F》

《C-C》

C2

C49

C48

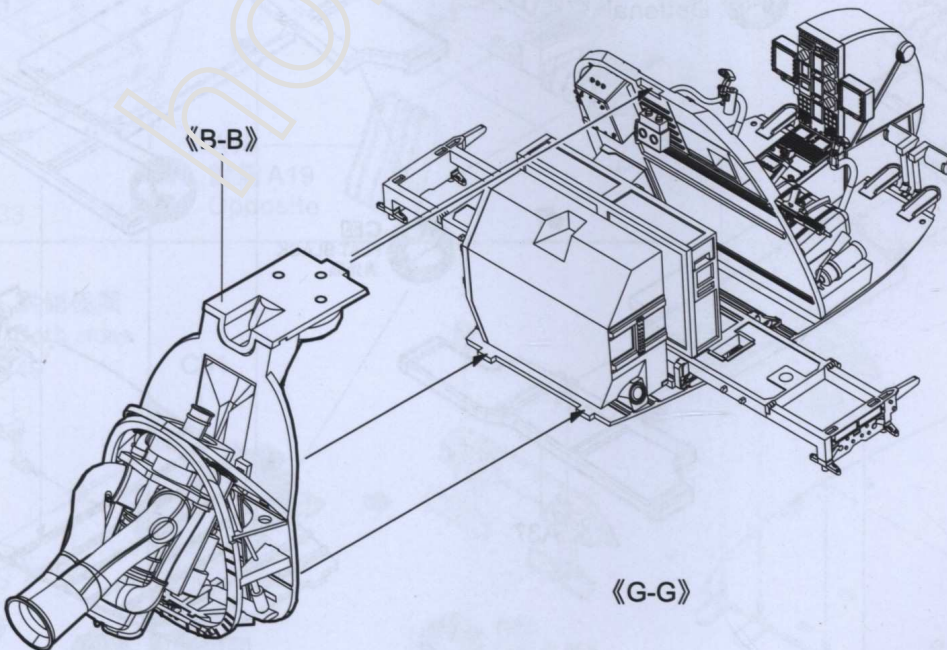
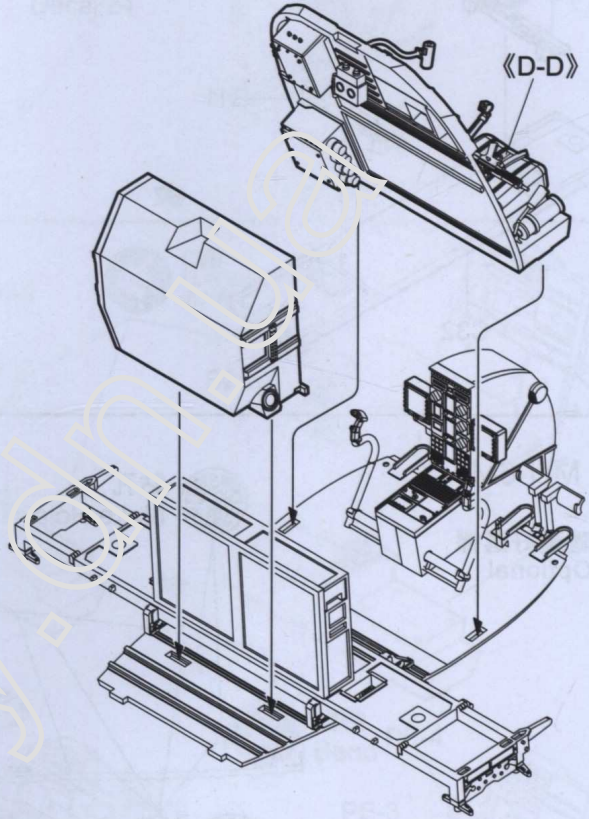
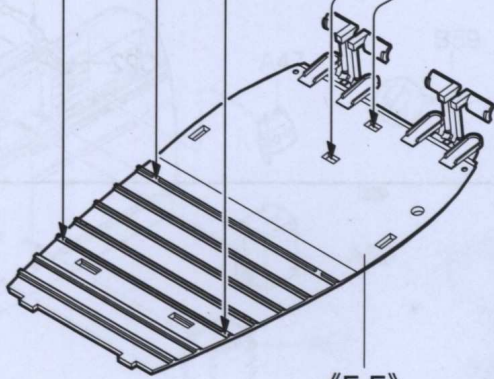
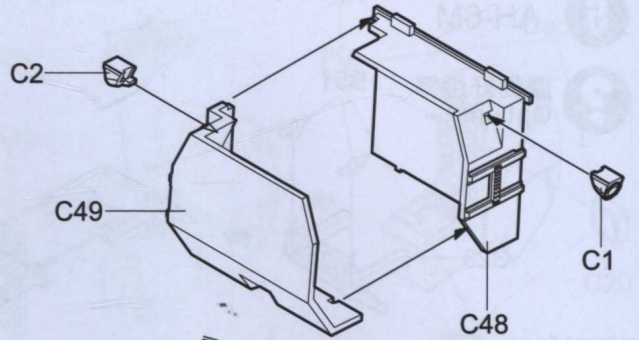
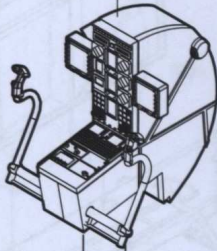
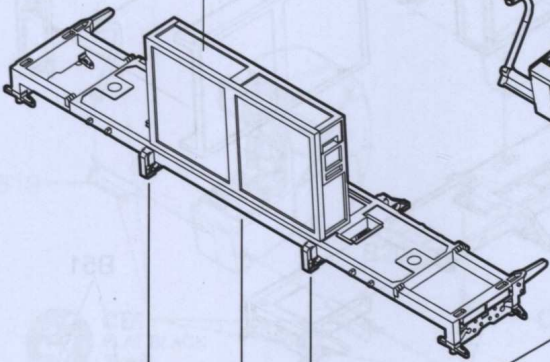
C1

《D-D》

《E-E》

《B-B》

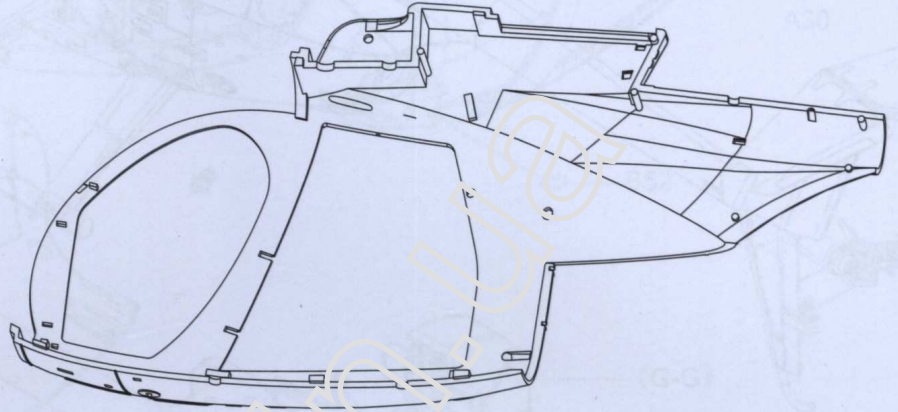
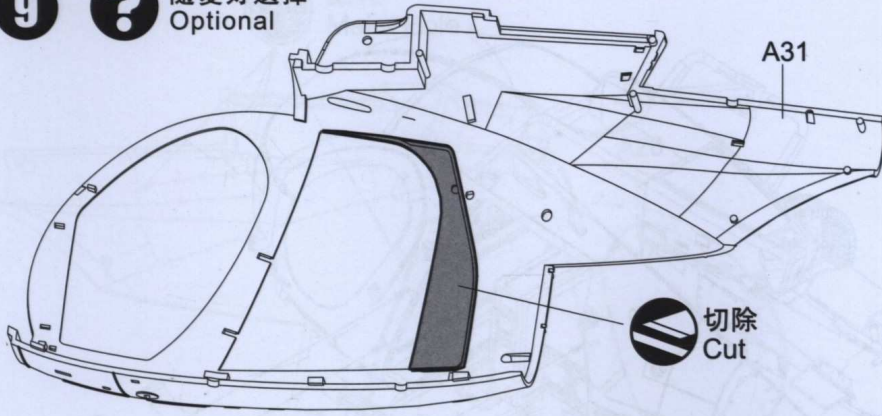
《G-G》



9

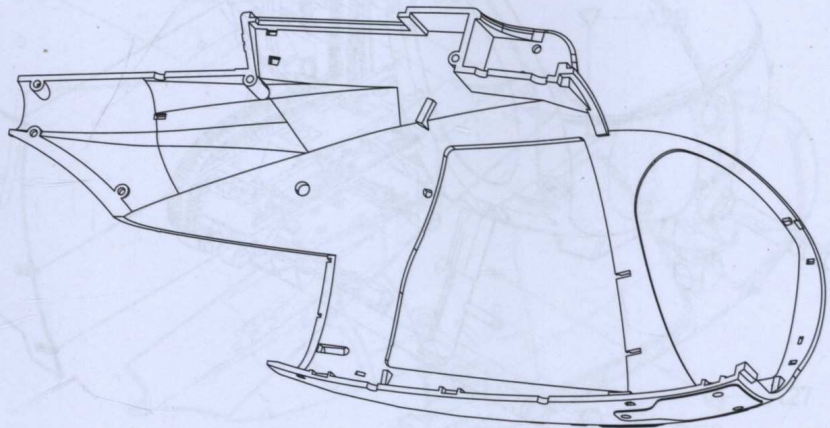
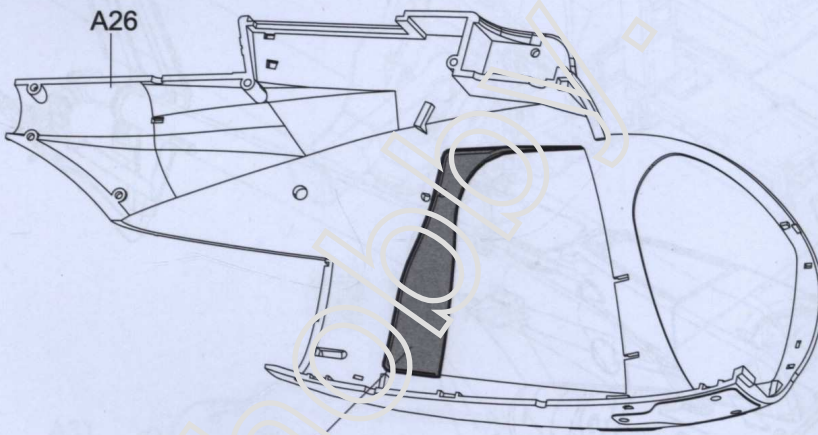
?

隨愛好選擇
Optional



?

隨愛好選擇
Optional

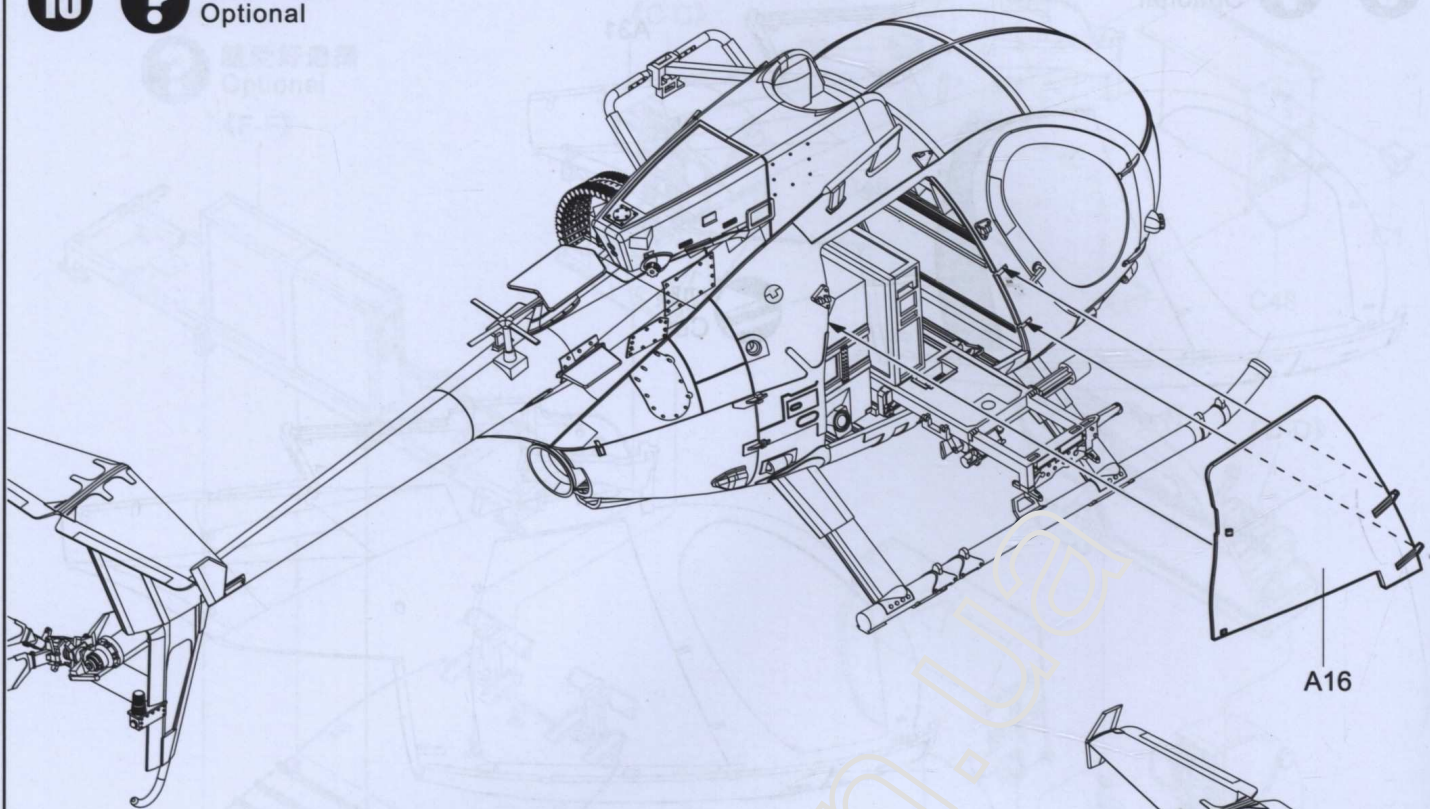


10



隨愛好選擇
Optional

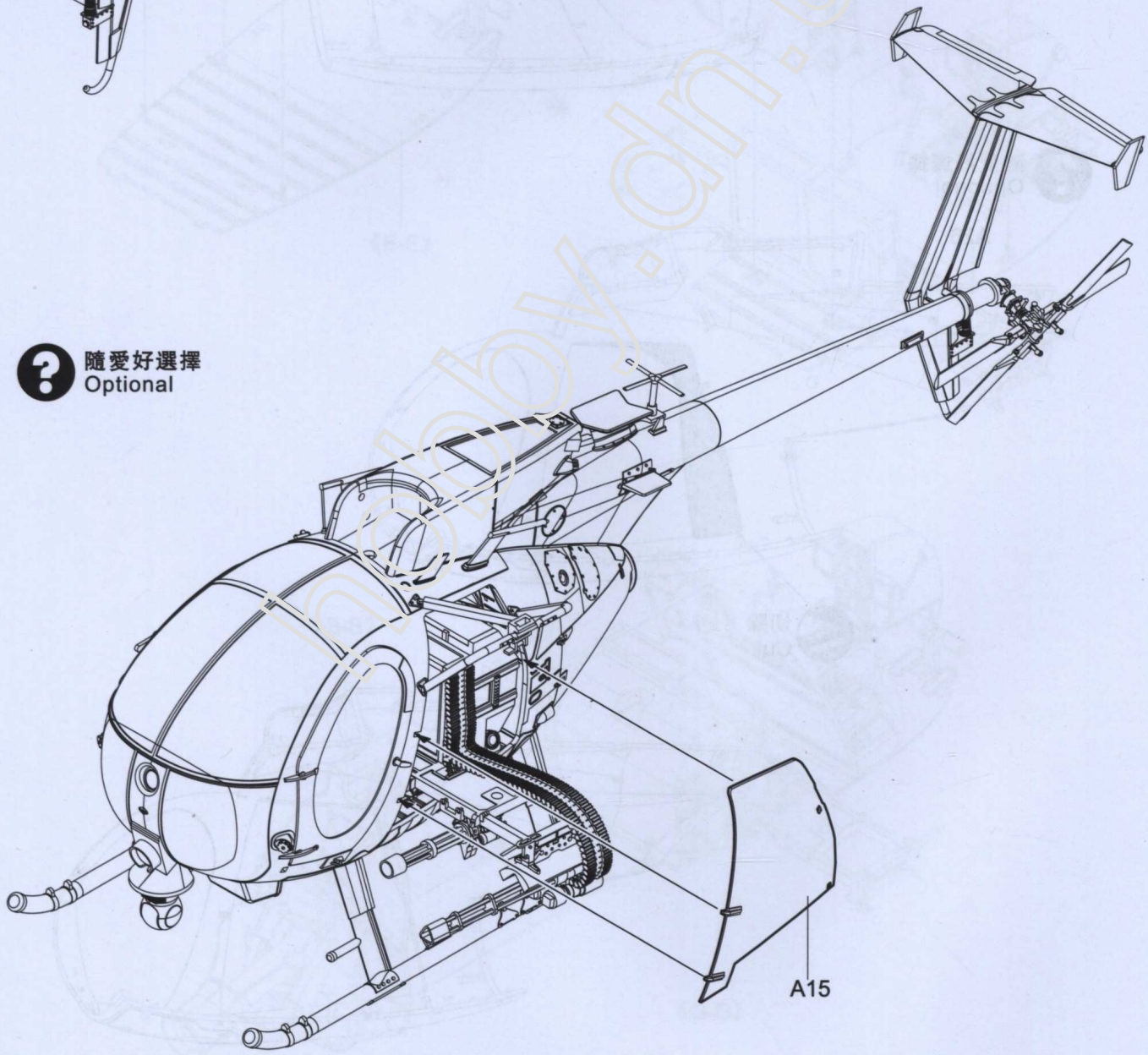
新加坡資訊
Infoc@C



A16



隨愛好選擇
Optional



A15

11

鉗孔
Make Hole

A26

C52

PE9

A28

A30

B52

《G-G》

鉗孔
Make Hole

A31

C53

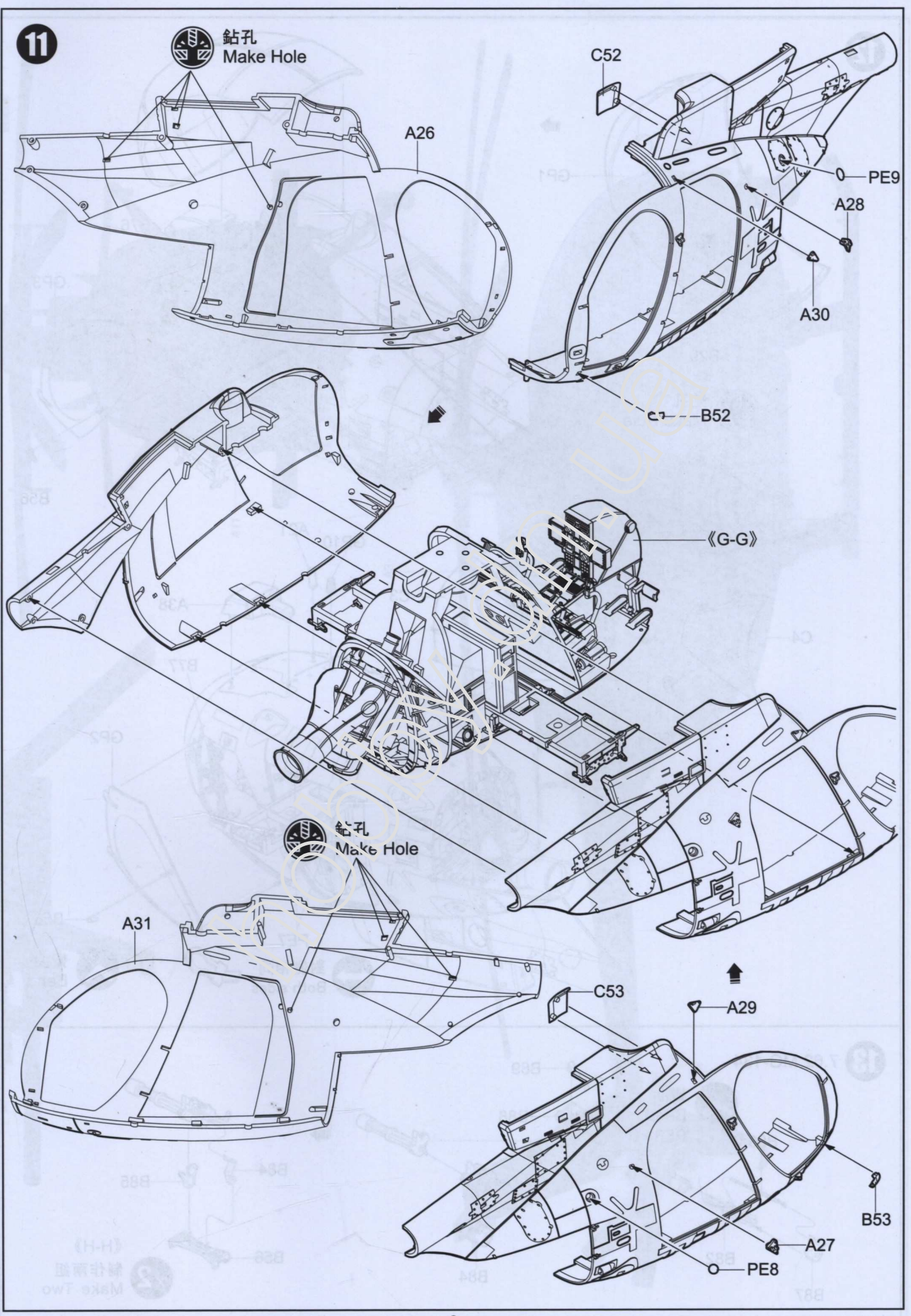
A29

B53

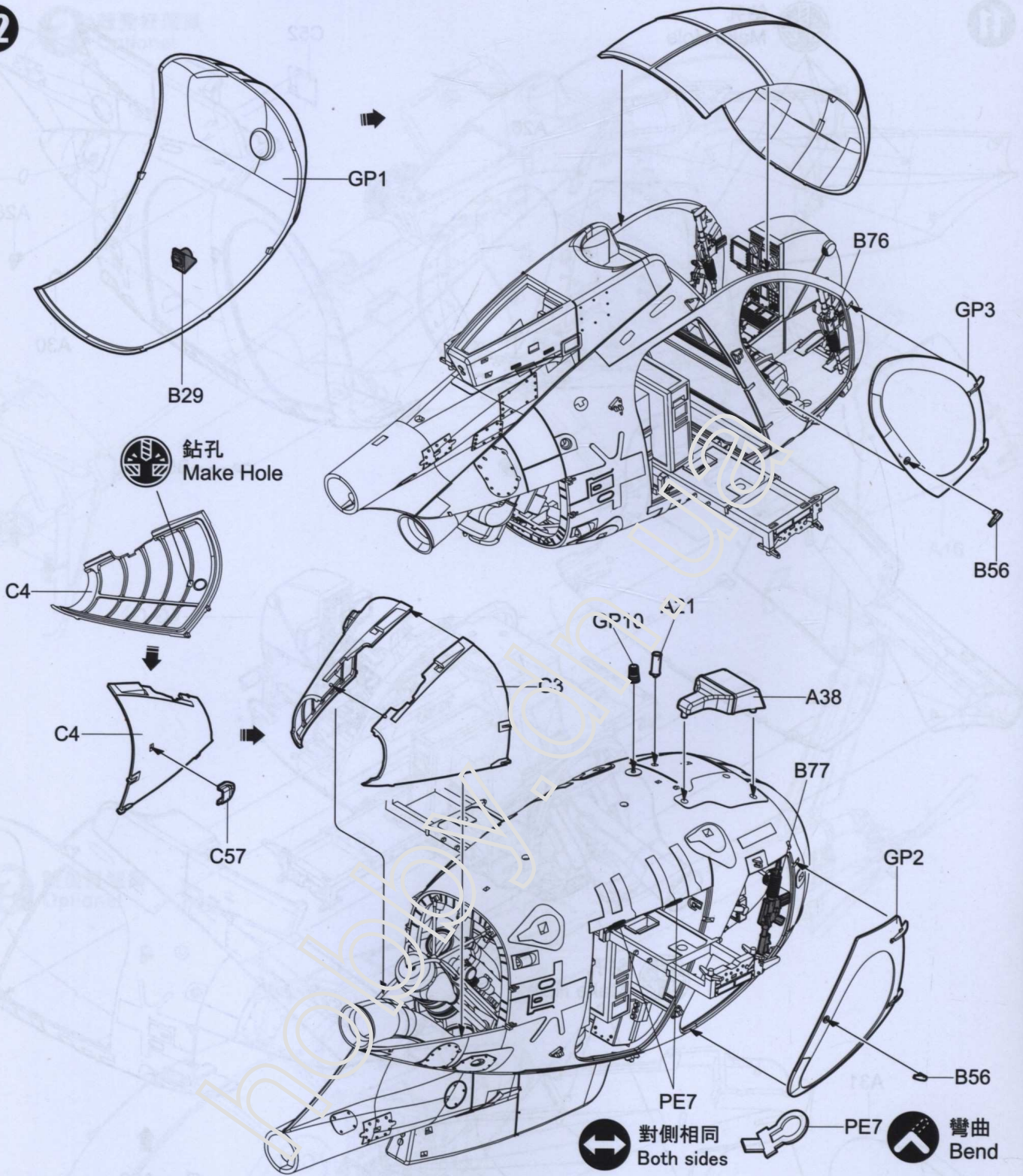
PE8

A27

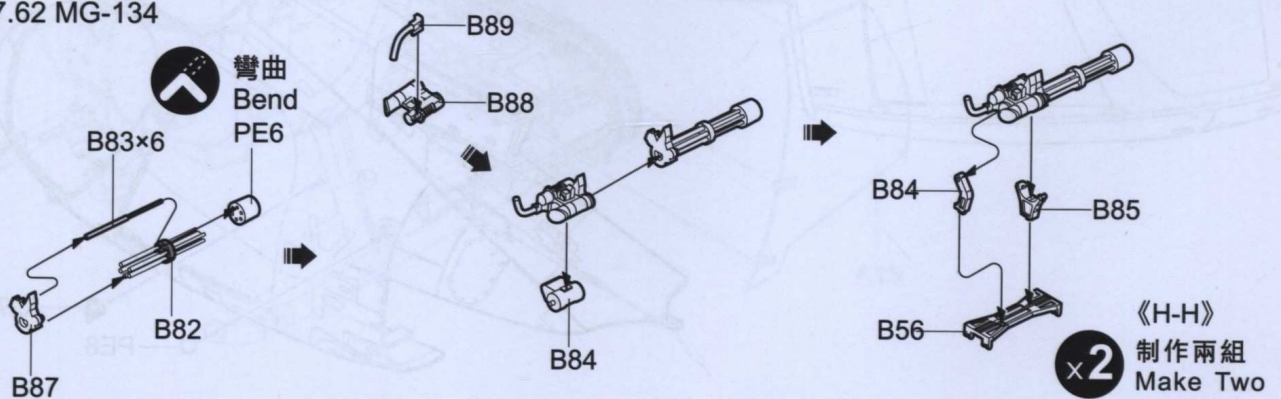
製作新組
Make Two



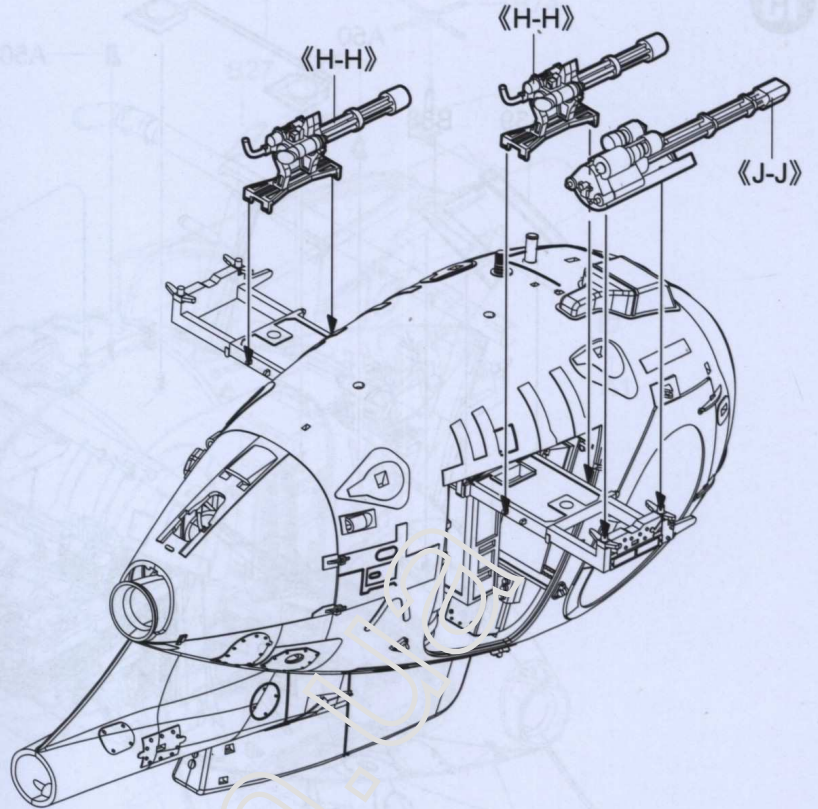
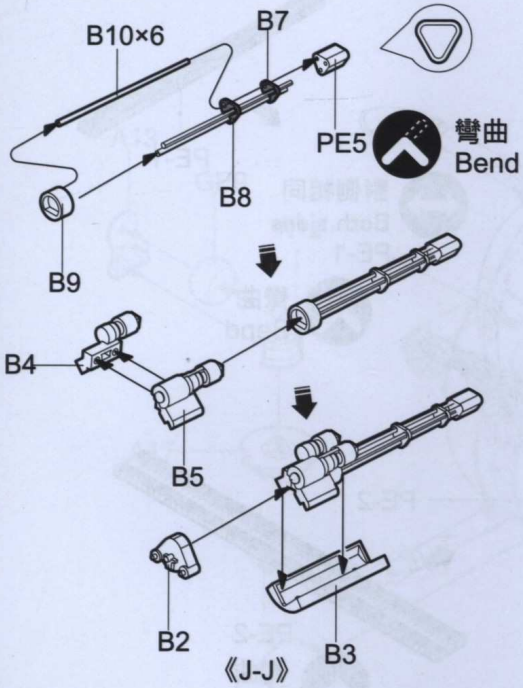
12



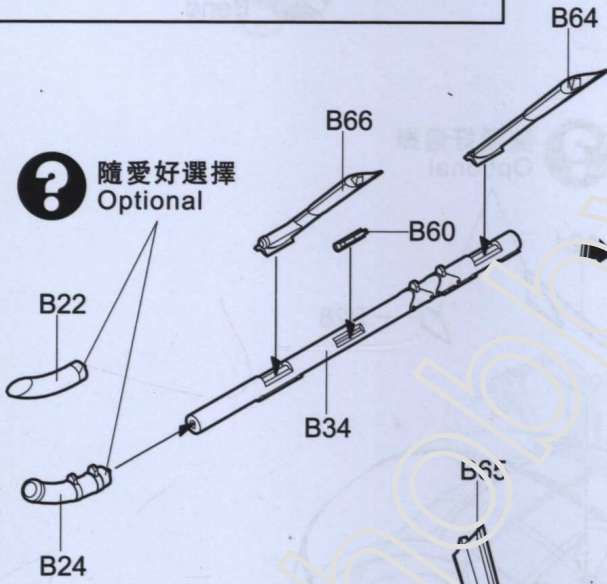
13 7.62 MG-134



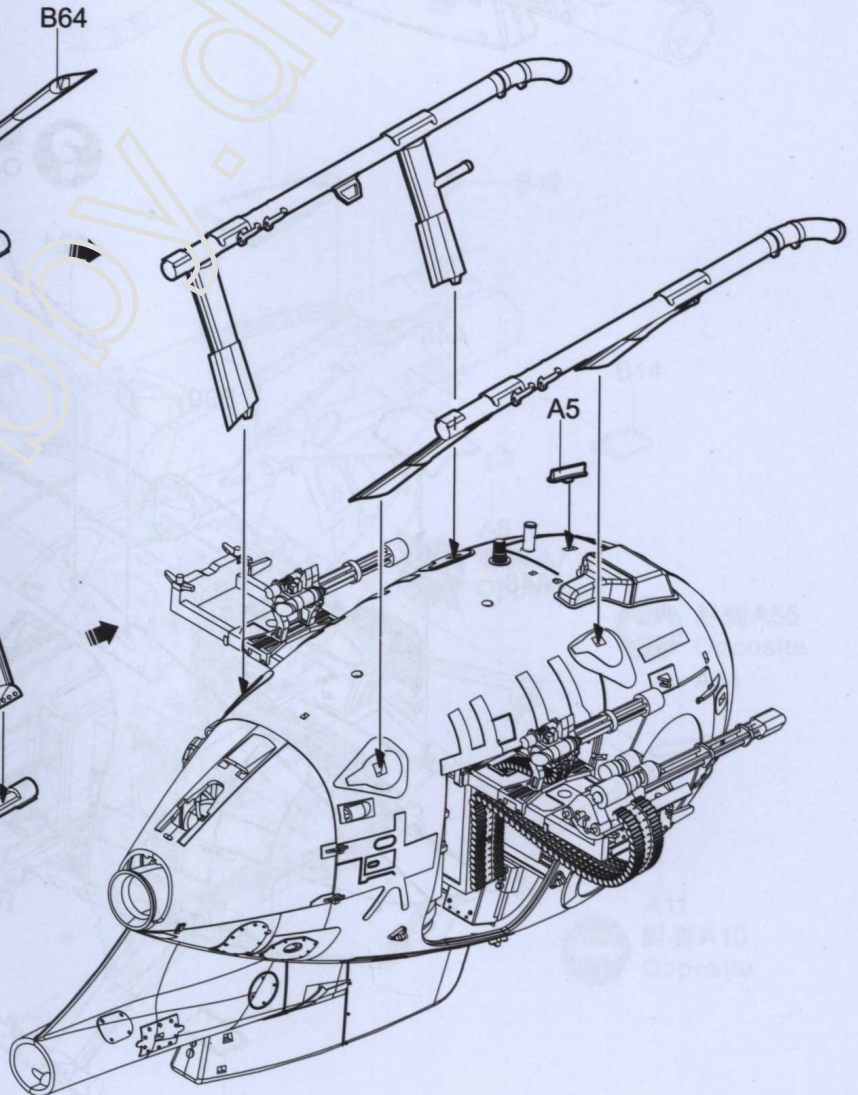
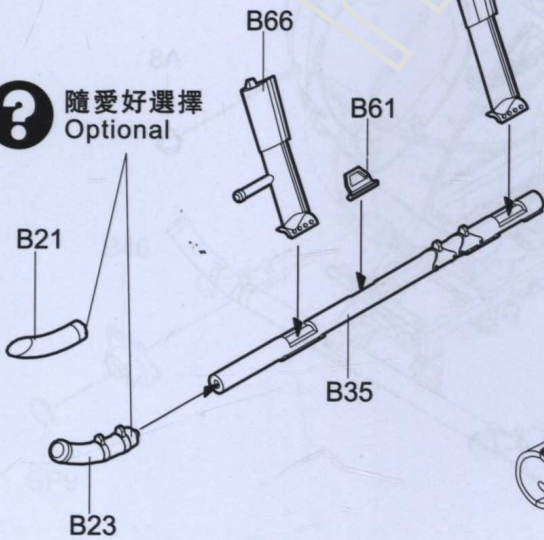
.50BMG GAU-19



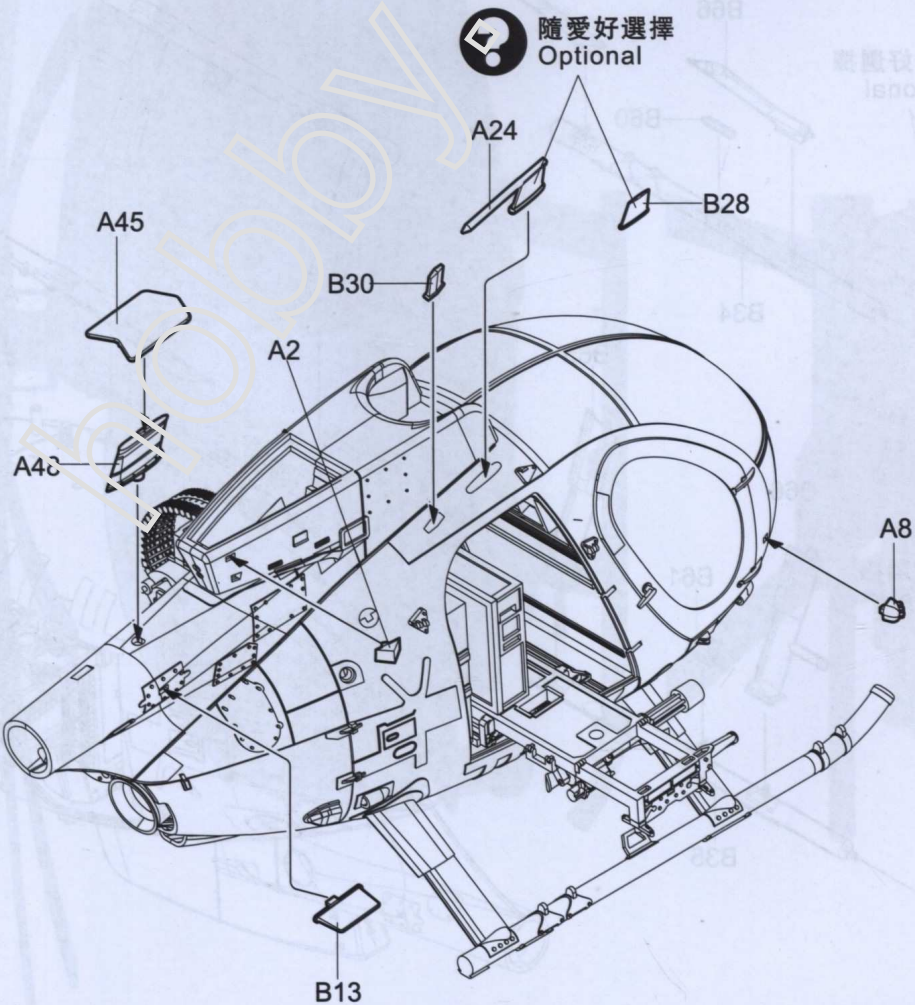
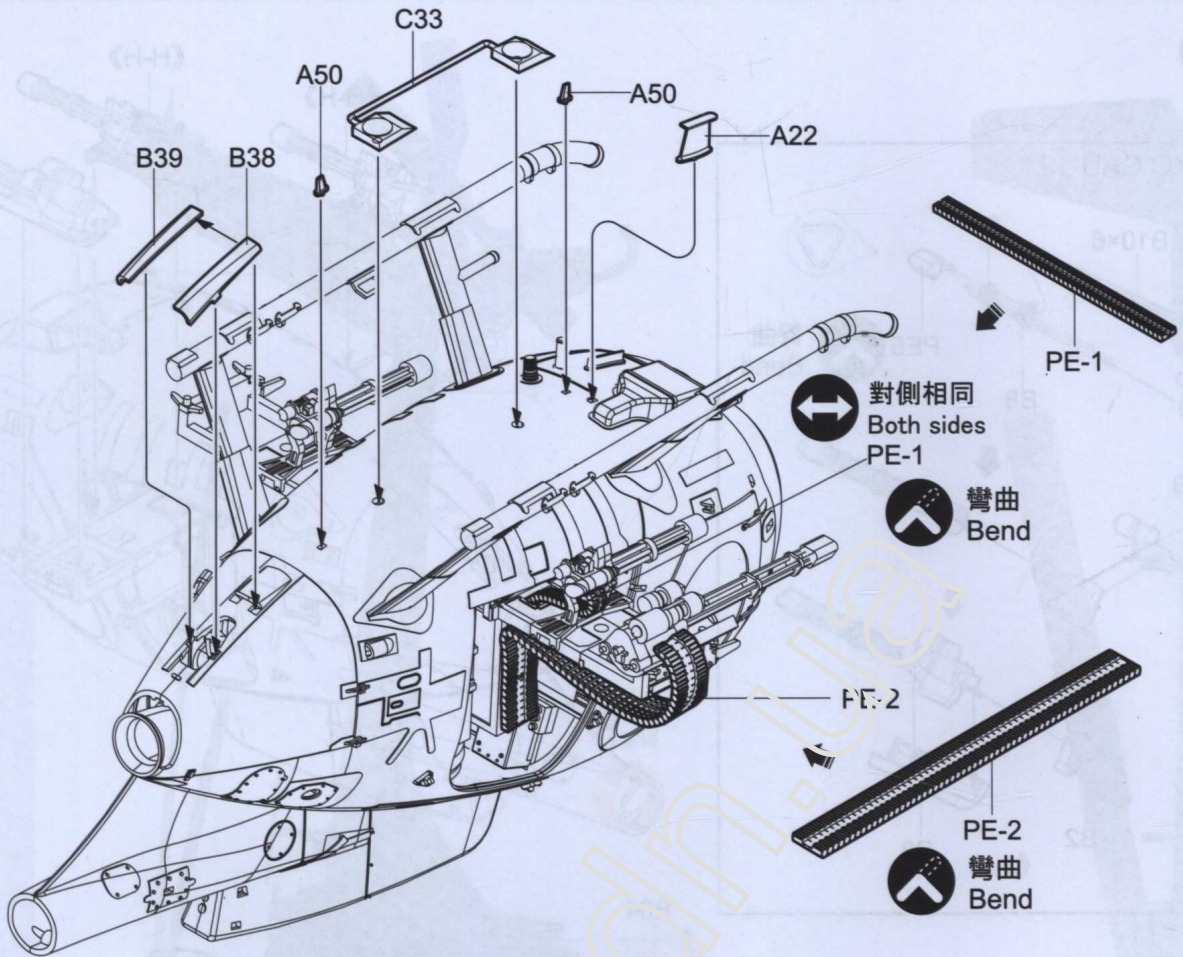
? 隨愛好選擇
Optional



? 隨愛好選擇
Optional

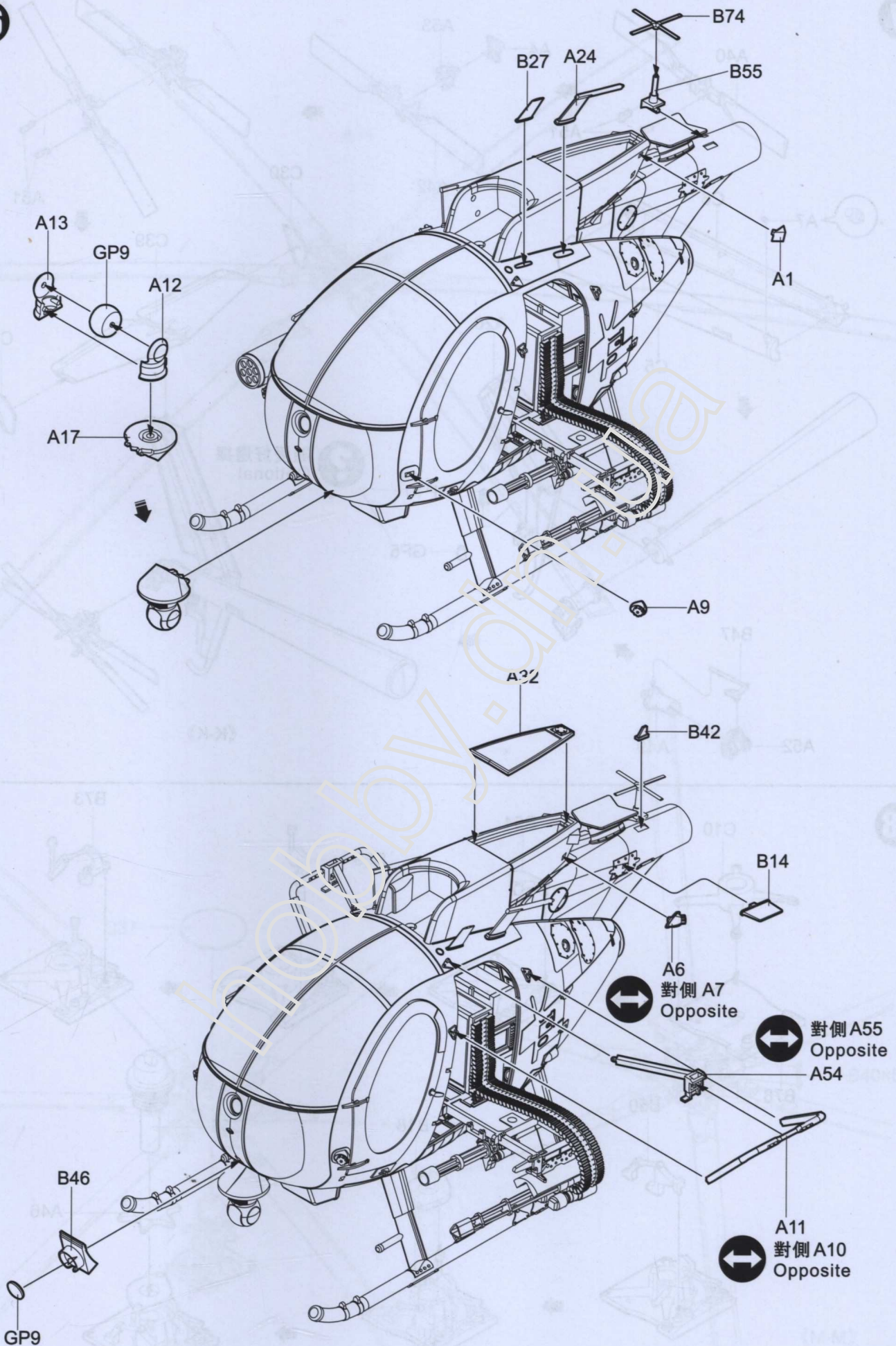


15

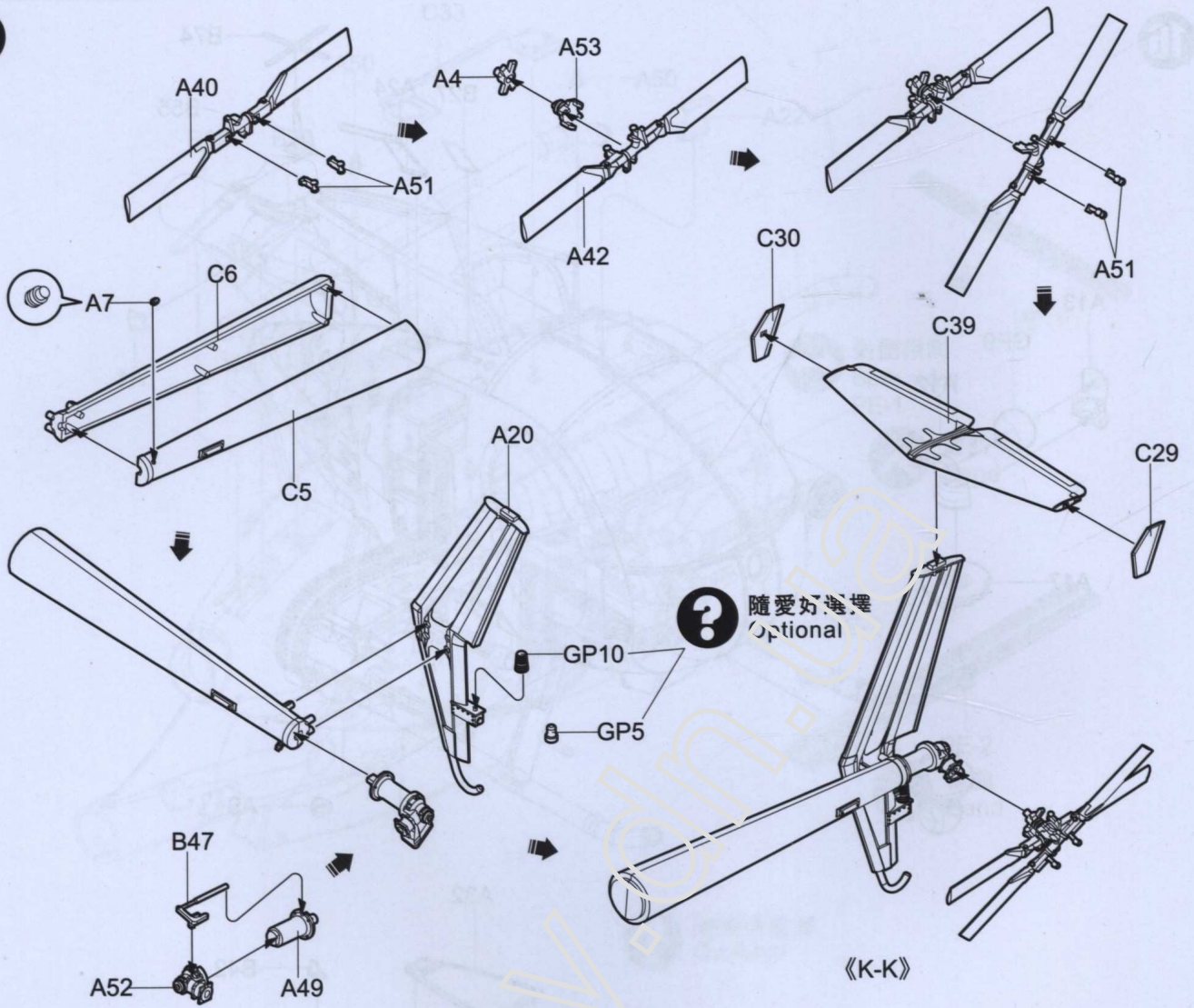


Painting & marking Guide

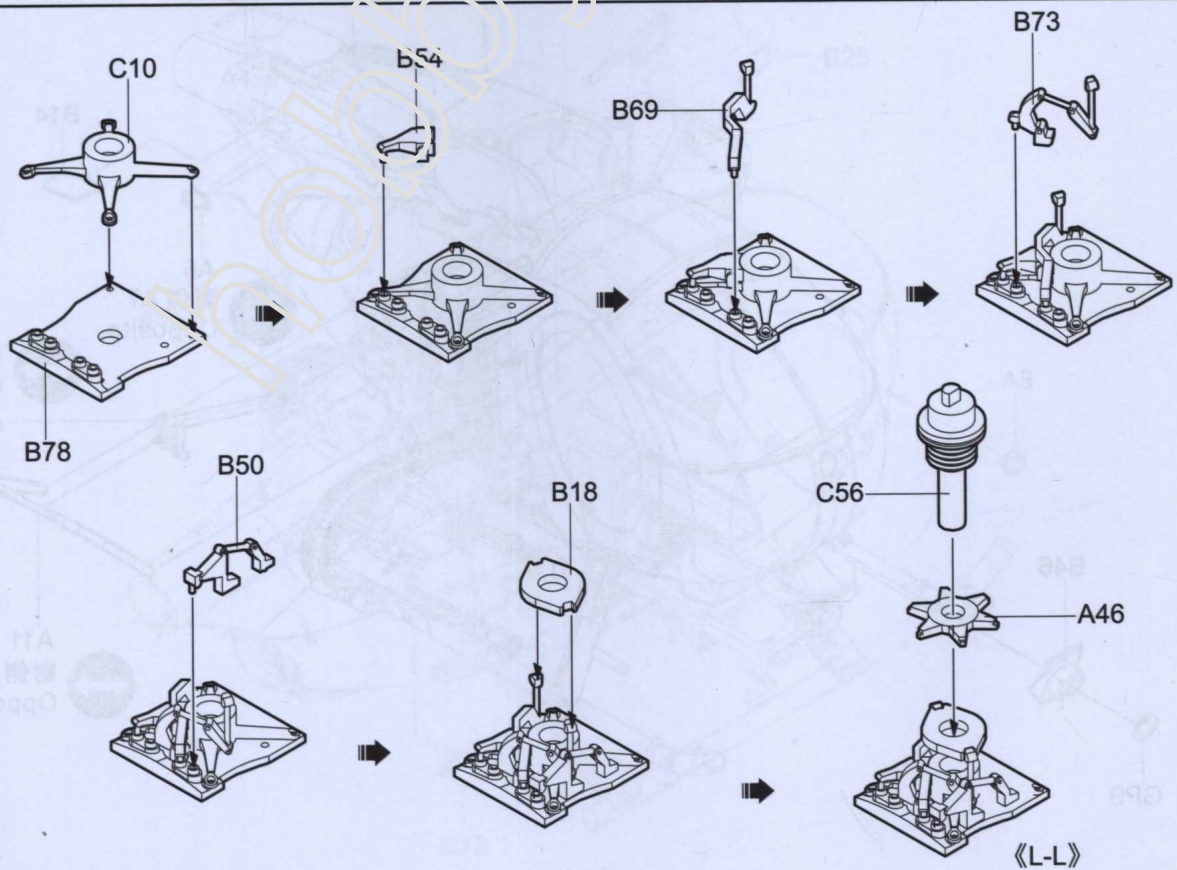
16



17

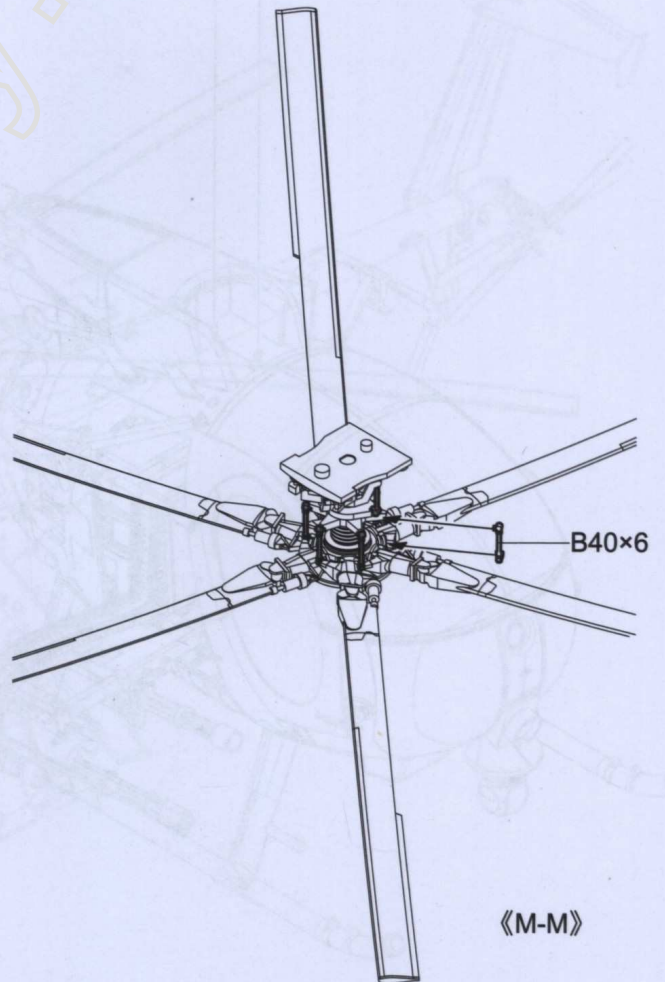
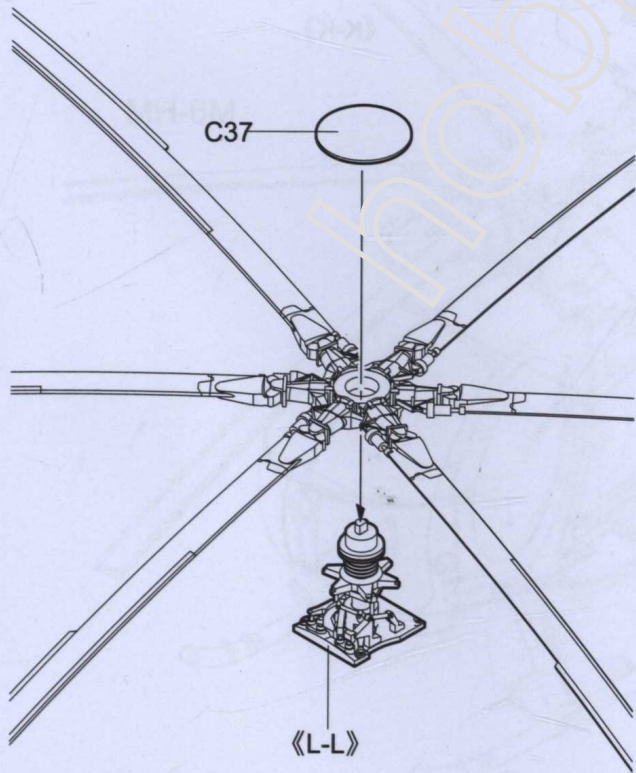
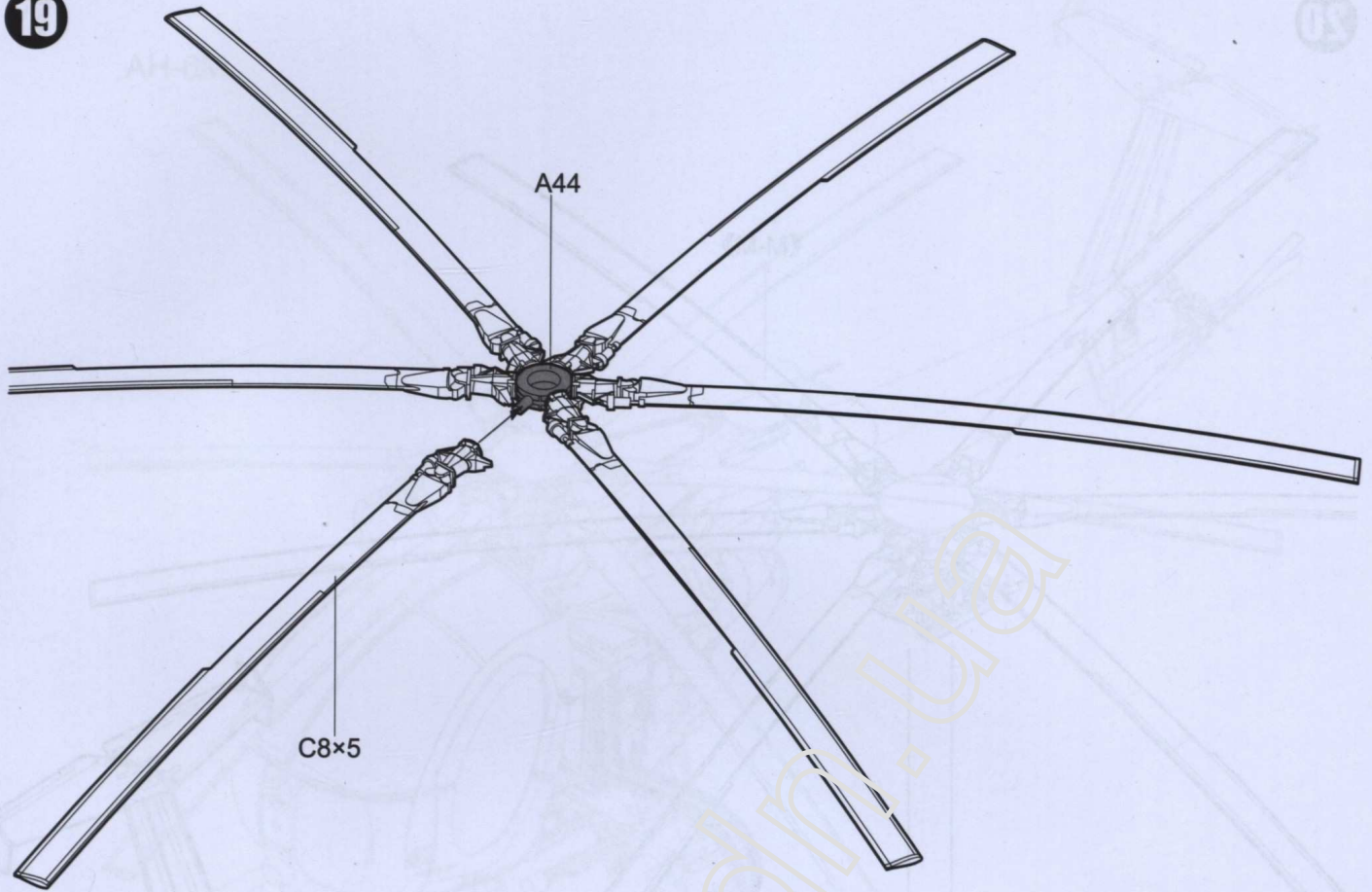


18



19

05

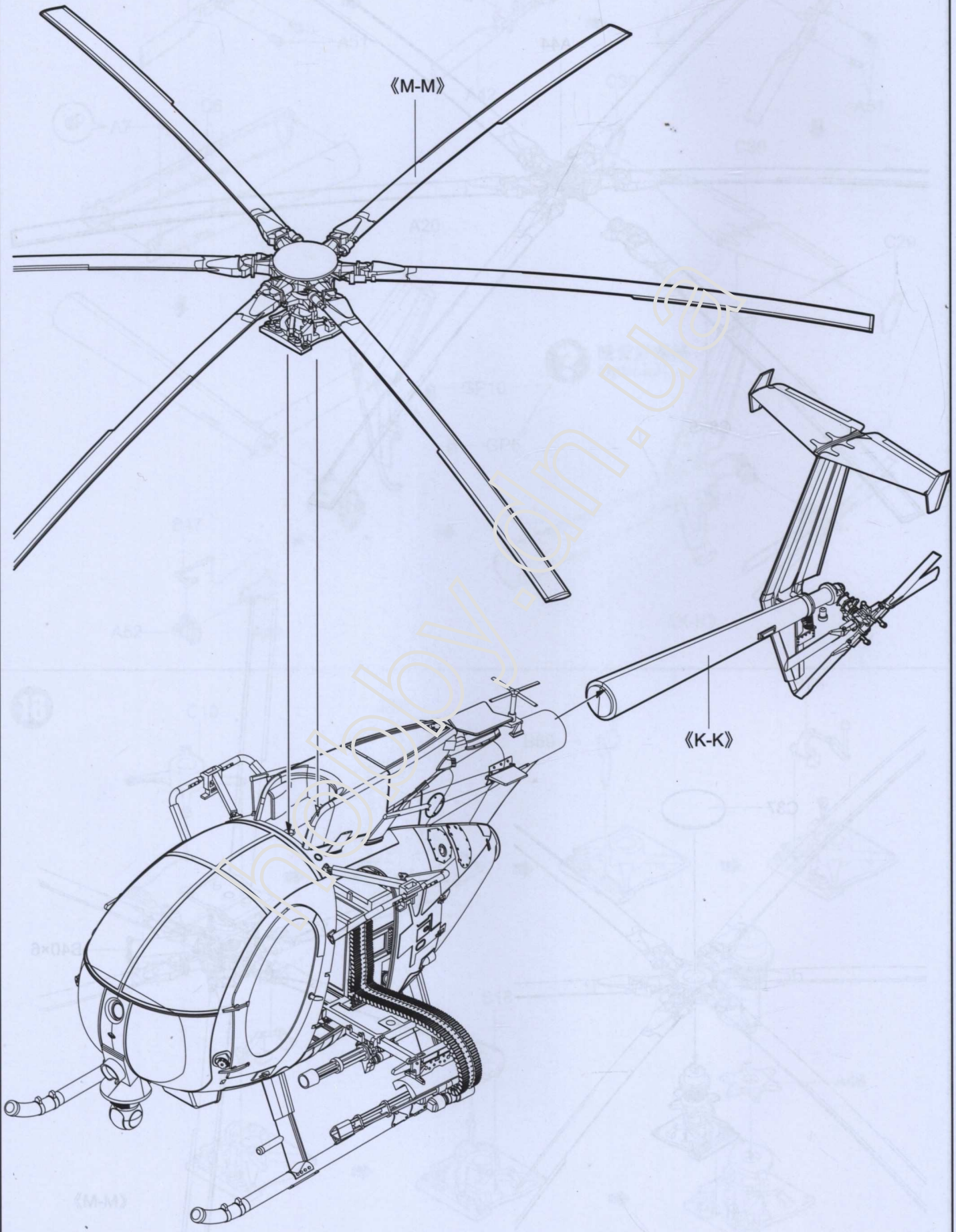


20

er

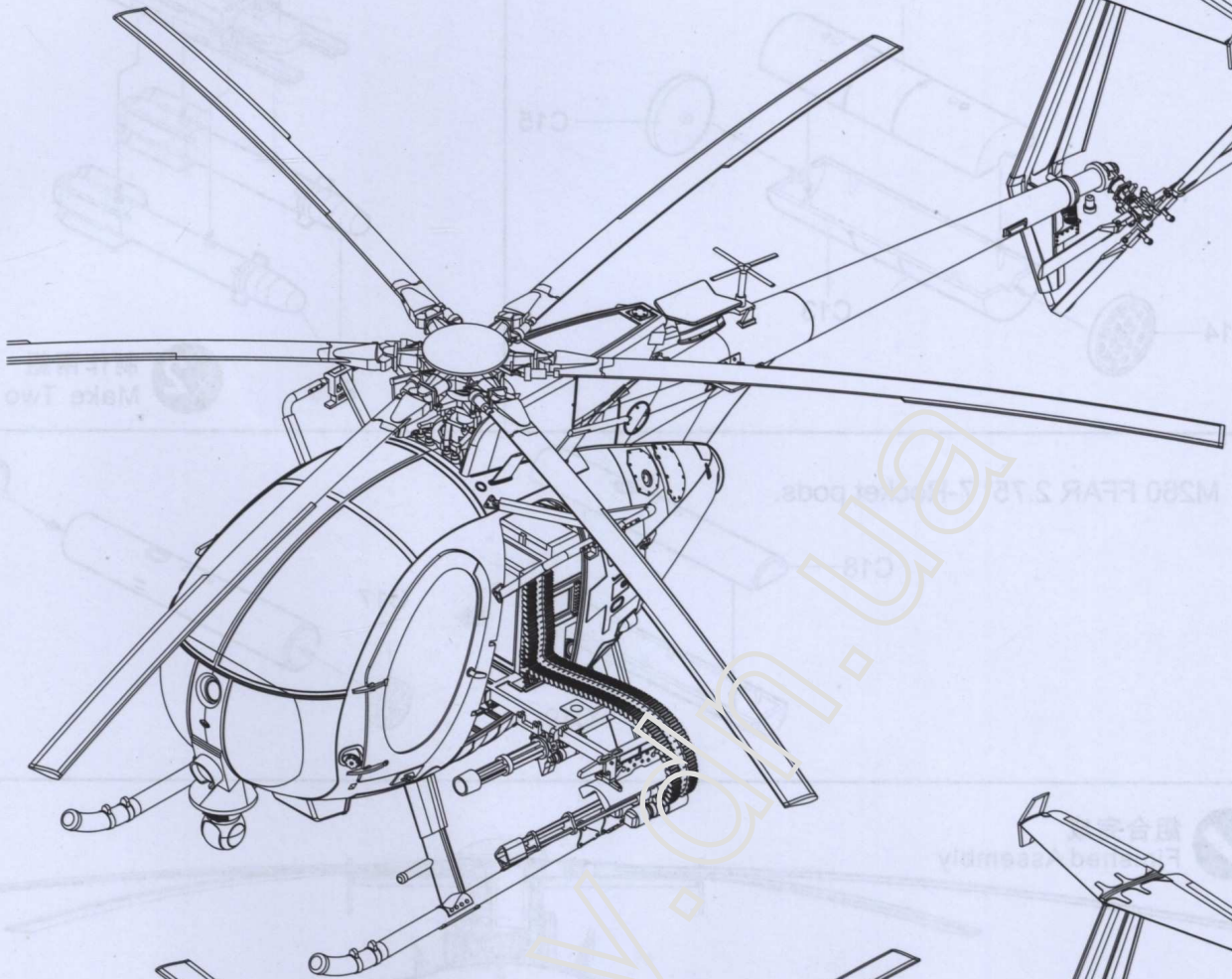
«M-M»

«K-K»

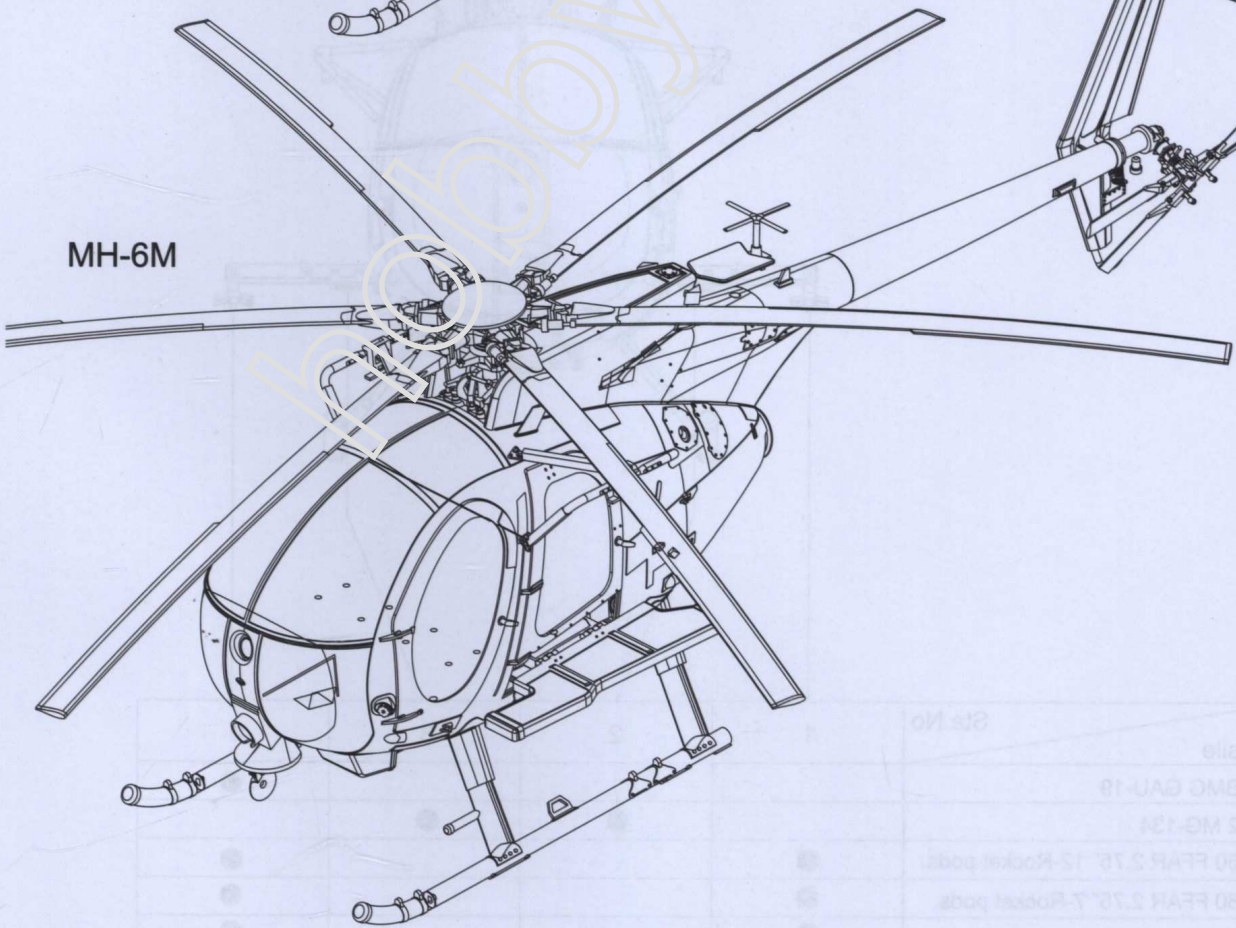


21

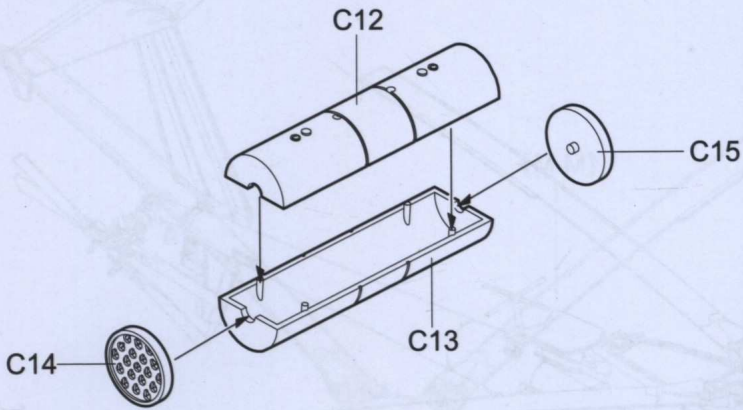
AH-6M



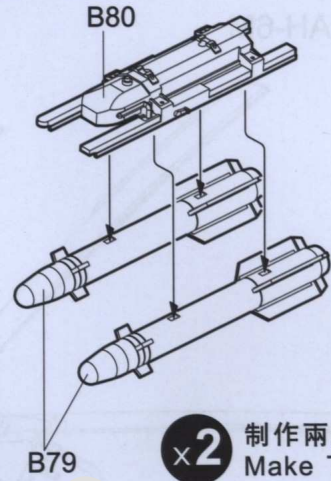
MH-6M



22 M260 FFAR 2.75" 12-Rocket pods.

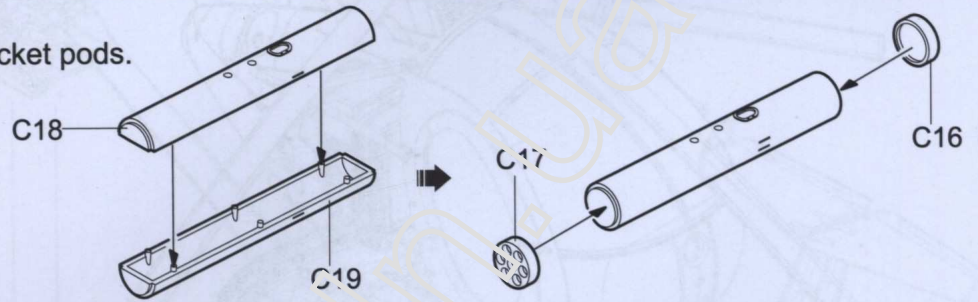


23 AGM-114 Hellfire

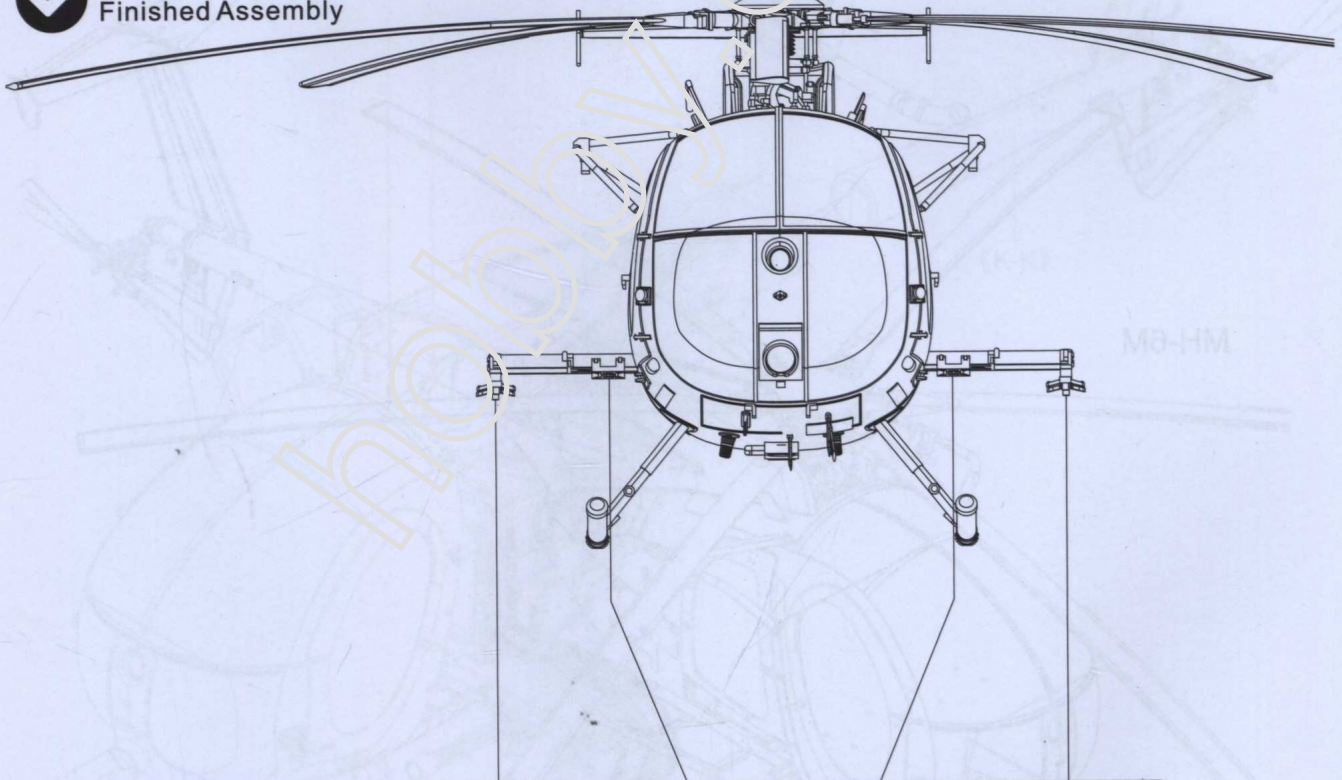


x2 制作兩組
Make Two

24 M260 FFAR 2.75" 7-Rocket pods.



✓ 組合完成
Finished Assembly



Sta.No	1	2	3	4
Missile				
.50BMG GAU-19				●
7.62 MG-134		●	●	
M260 FFAR 2.75" 12-Rocket pods.	●			●
M260 FFAR 2.75" 7-Rocket pods.	●			●
AGM-114 Hellfire	●			●

Painting & marking Guide

塗裝與水貼

U.S. Army, MH-6M, No.25377.

14



C31
DUCK EGG BLUE FS35622
鴨蛋藍 FS35622

C32
LIAIRCRAFT GREY BS381C/627
淺飛機灰 BS381C/627



A14

15



Painting & marking Guide

Painting & marking Guide

塗裝與水貼

U.S. Army, MH-6M, No.25361.



Painting & marking Guide

塗裝與水貼

U.S. Army, AH-6M, No.25358.



12

17

Painting & marking Guide

塗裝與水貼

U.S. Army, MH-6M, No.25356.

