

READ BEFORE ASSEMBLY

在組合您的模型之前，請充分閱讀本冊說明書。組合模型您需要如下物品（需另購）：模型膠水；一把模型鉗或一把用於將零件從框架上切下的模型筆刀。筆刀同樣可以用來修整零件的合模綫。祝您制作愉快！

Before assembling your model kit, read through these instructions carefully. To assemble this kit, you will need Plastic glue (not include). A pair of side cutter or a sharp modelling knife is required for removing parts from the frame. Plastic mould lines can be removed with the modelling knife.



請注意
Special instructions



隨愛好選擇
Optional



組合完成
Finished Assembly



制作兩組
Make Two



配重
Weight



塗色
Painting

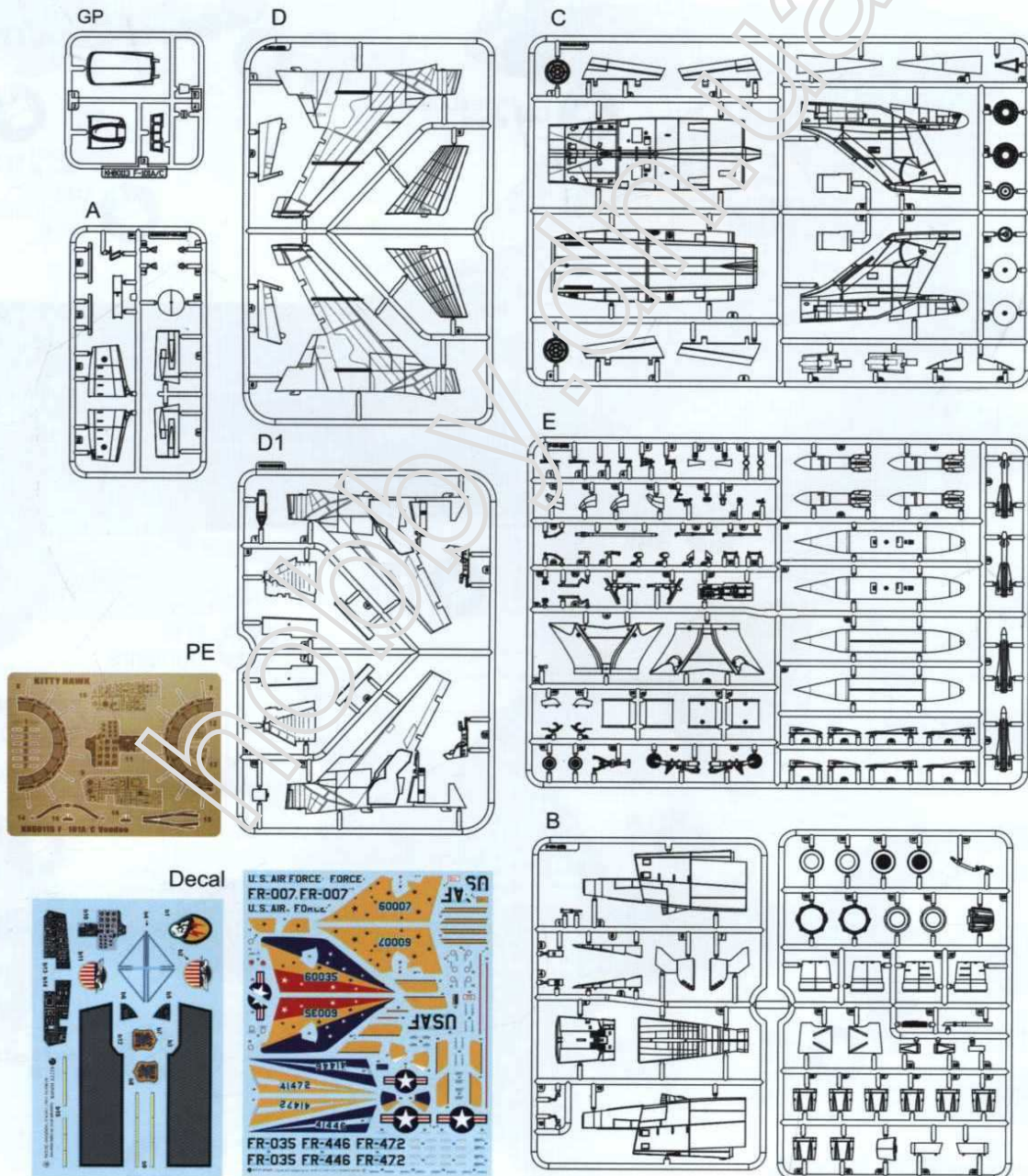


無需膠粘
Do Not Cement

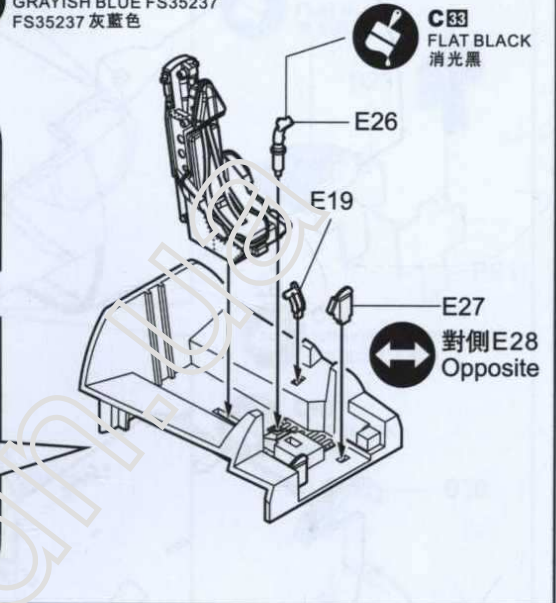
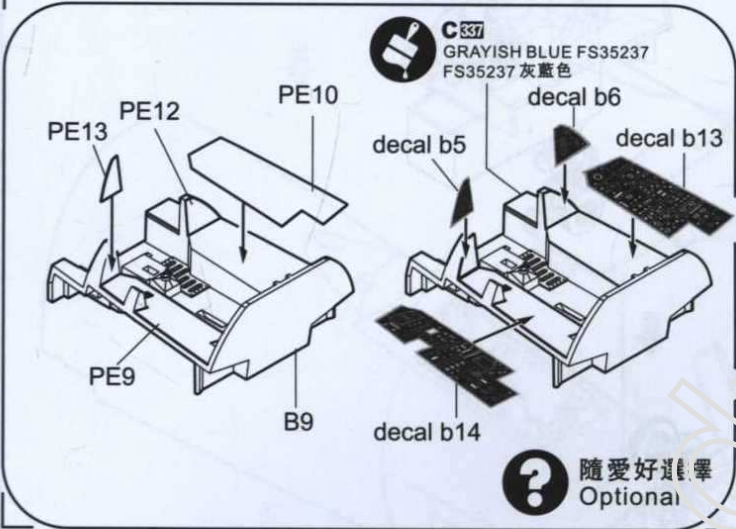
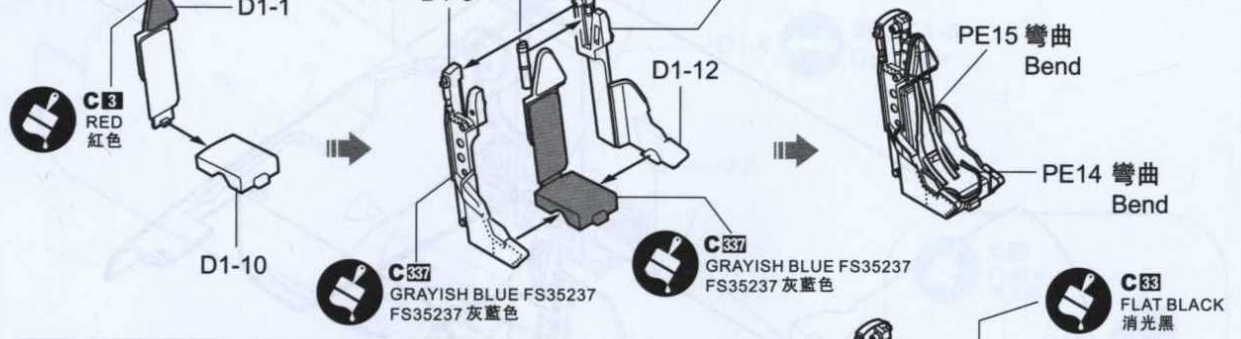


對側
Opposite

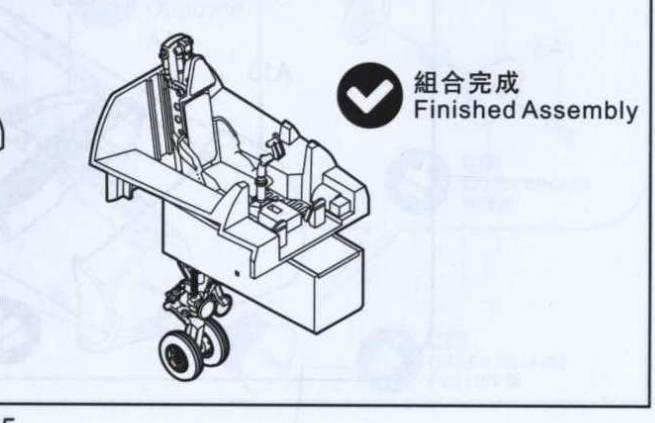
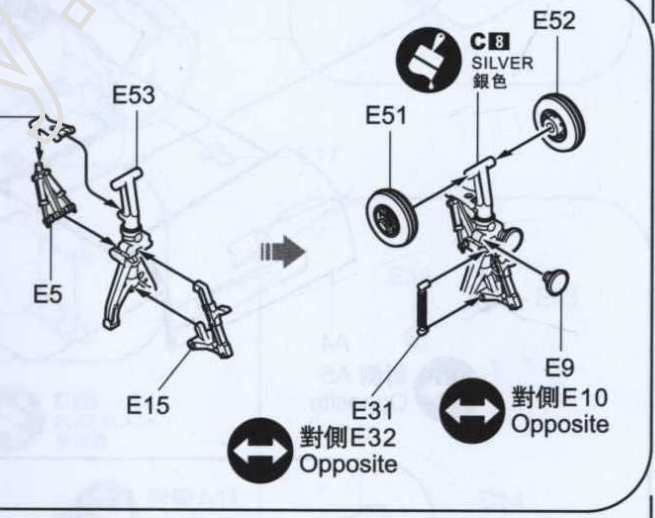
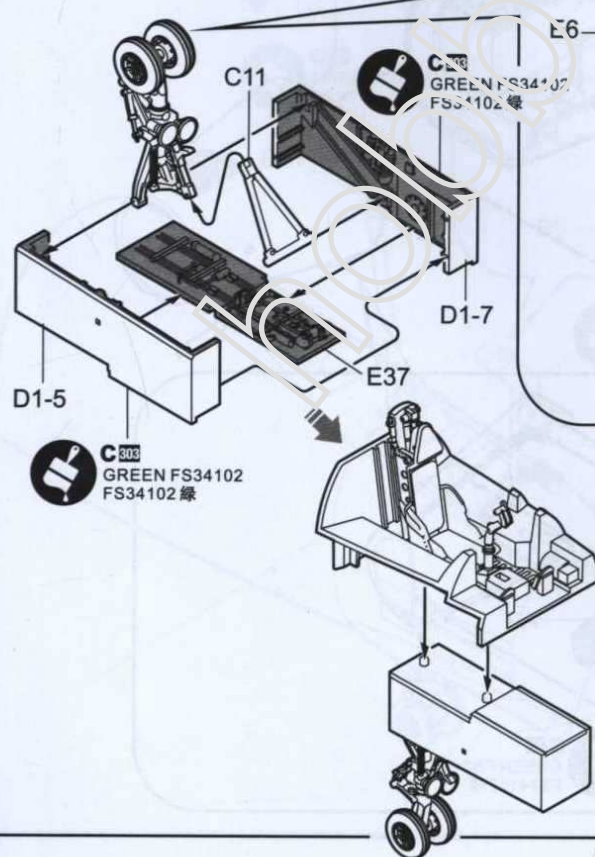
部品圖 PARTS



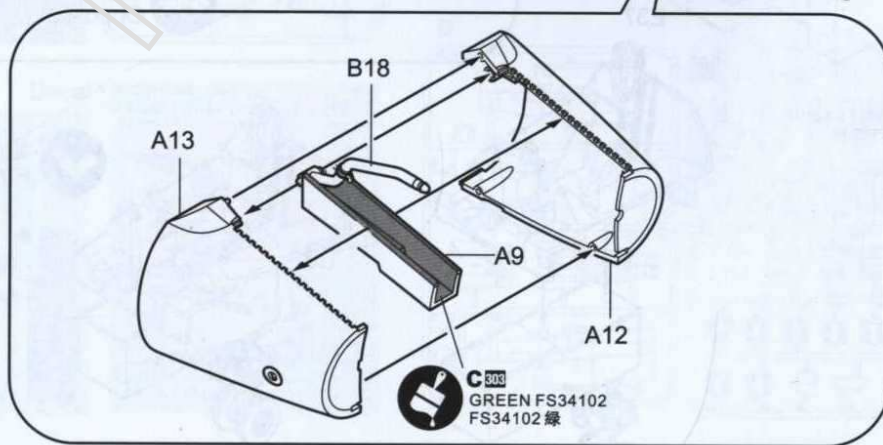
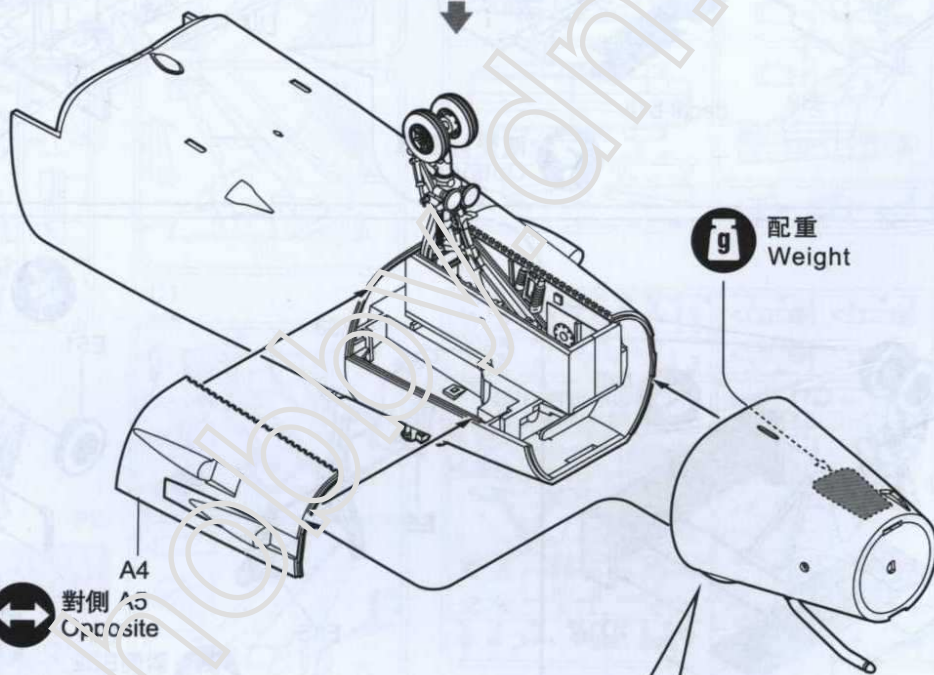
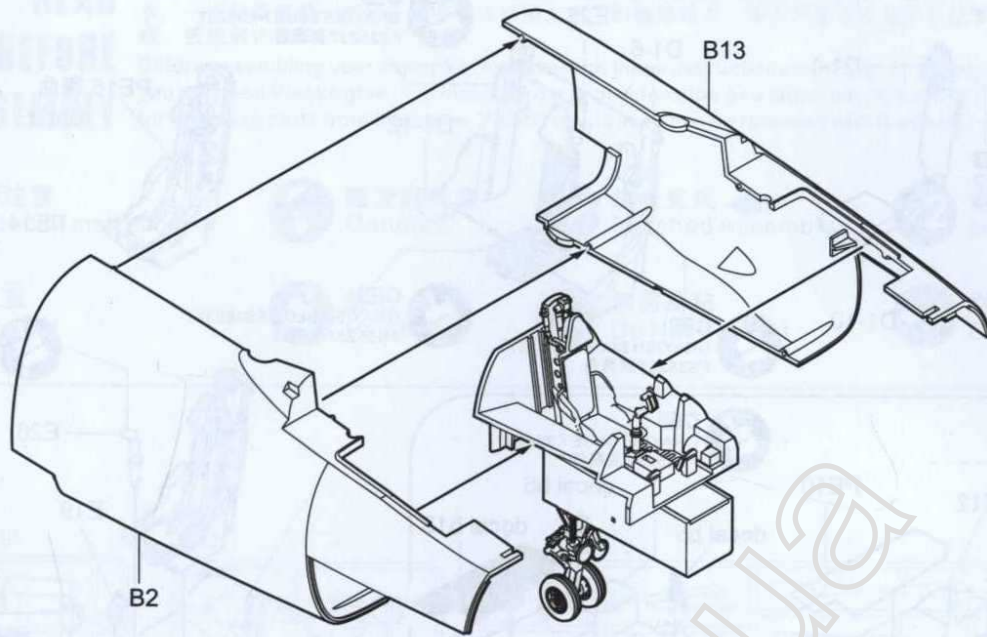
1



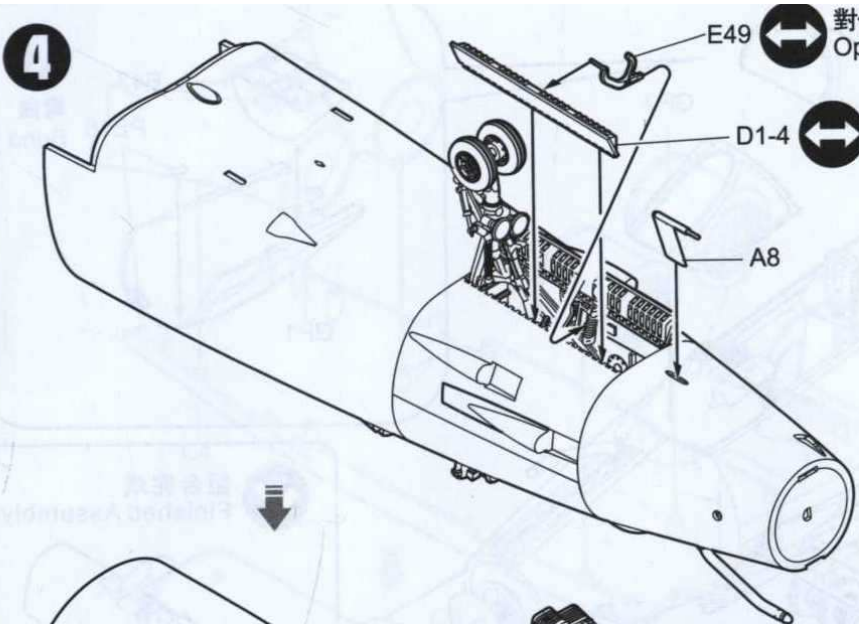
2



3



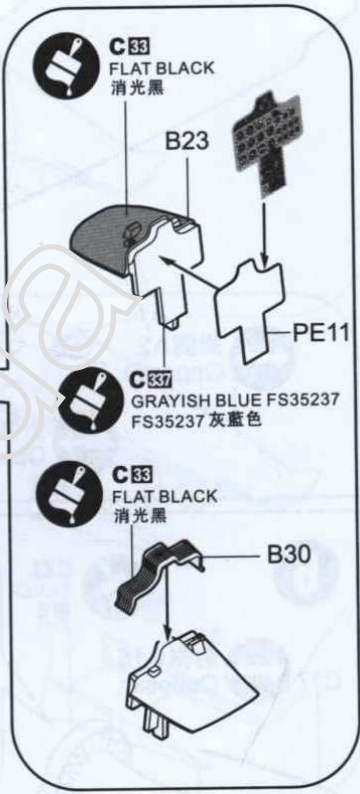
4



E49 對側E50 Opposite

D1-4 對側D1-8 Opposite

A8



C33 FLAT BLACK 消光黑

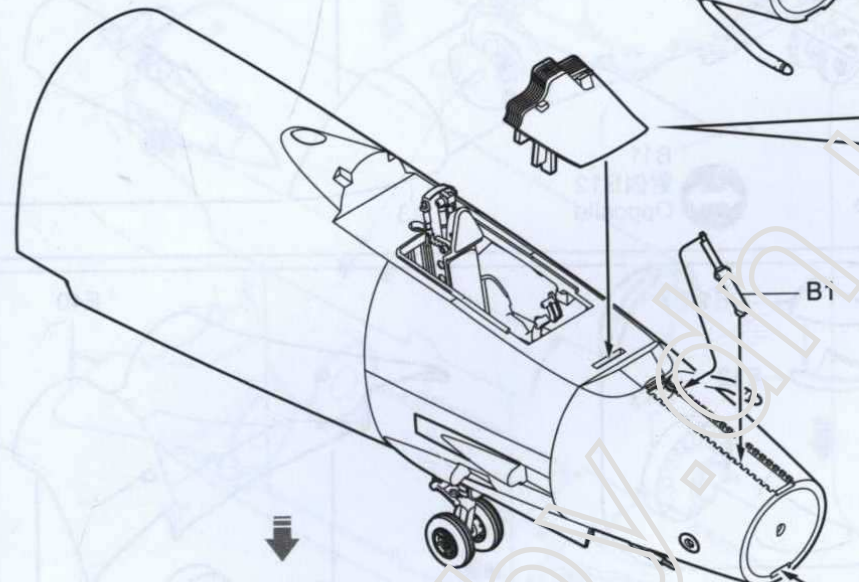
B23

PE11

C337 GRAYISH BLUE FS35237 FS35237 灰藍色

C33 FLAT BLACK 消光黑

B30

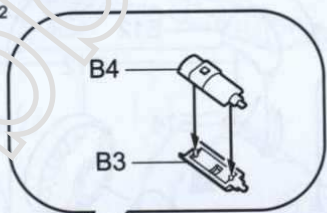


B1

E17

C303 GREEN FS34102 FS34102 綠

B31

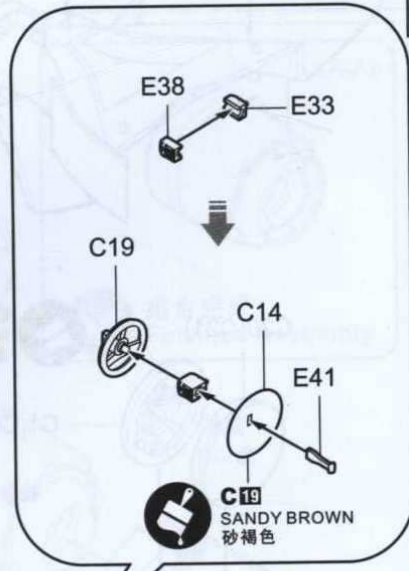
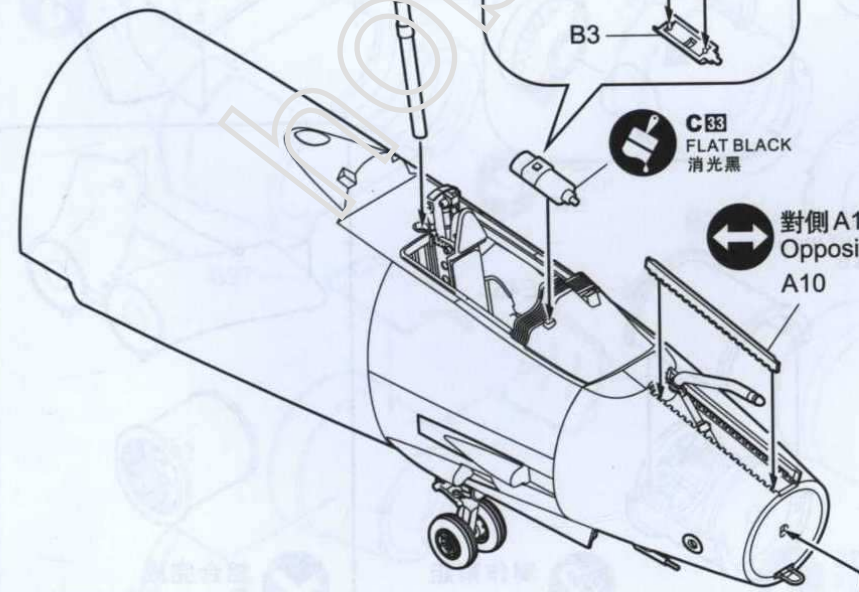


B4

B3

C33 FLAT BLACK 消光黑

對側A11 Opposite A10



E38

E33

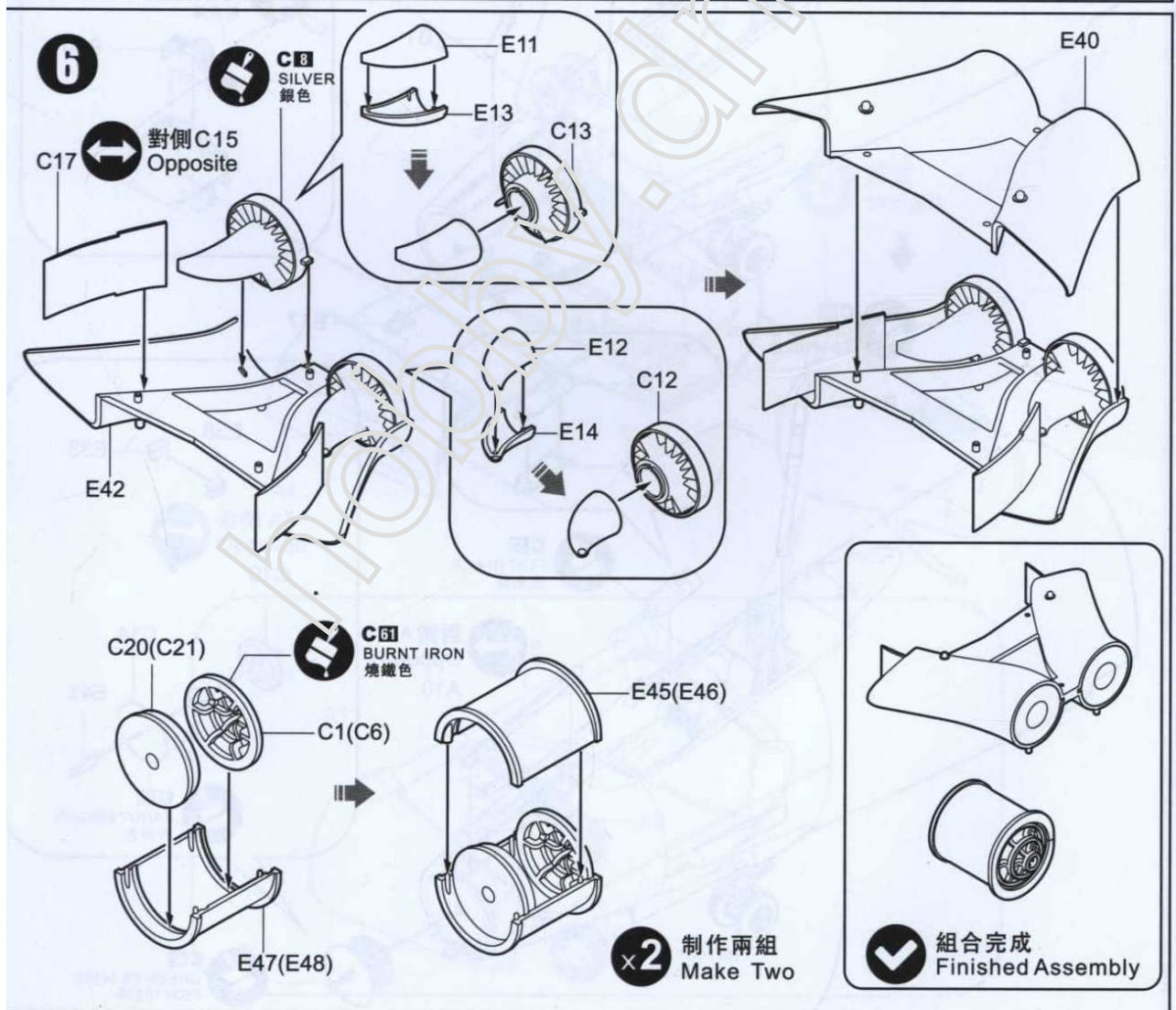
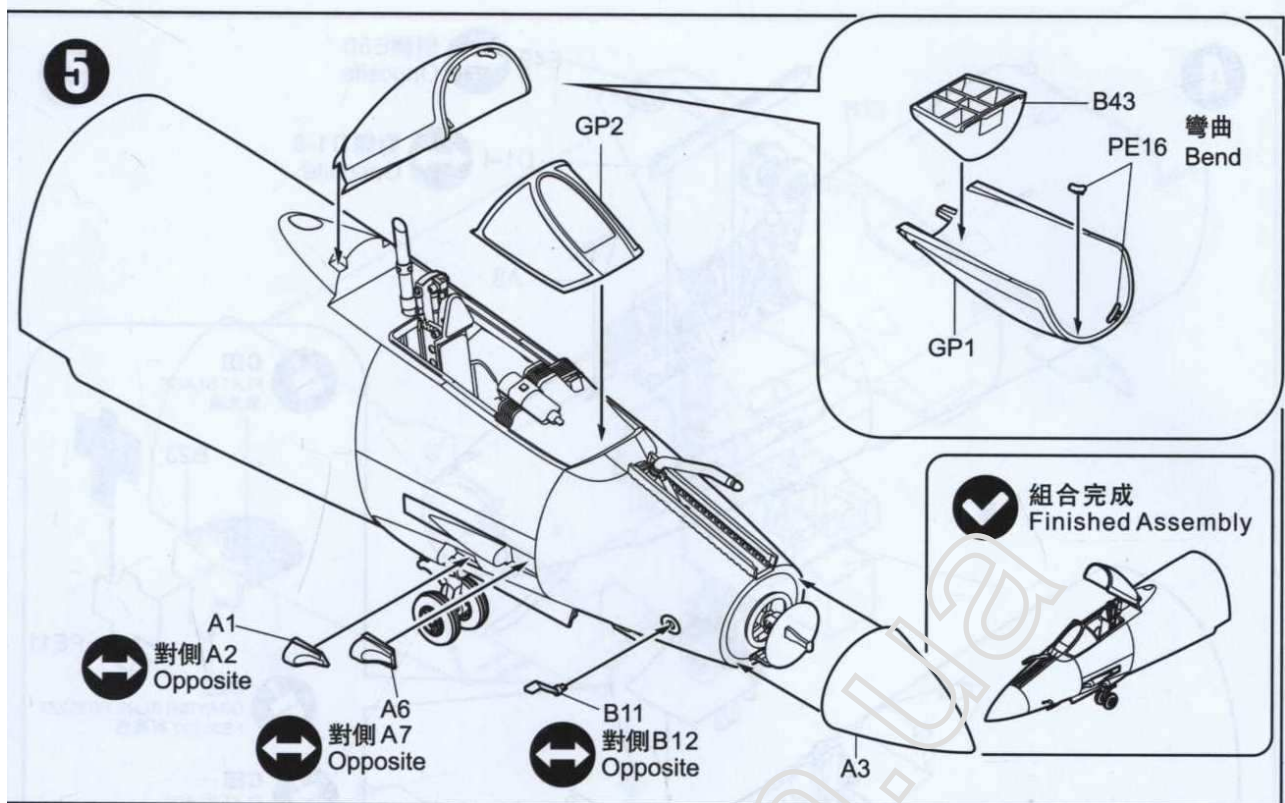
C19

C14

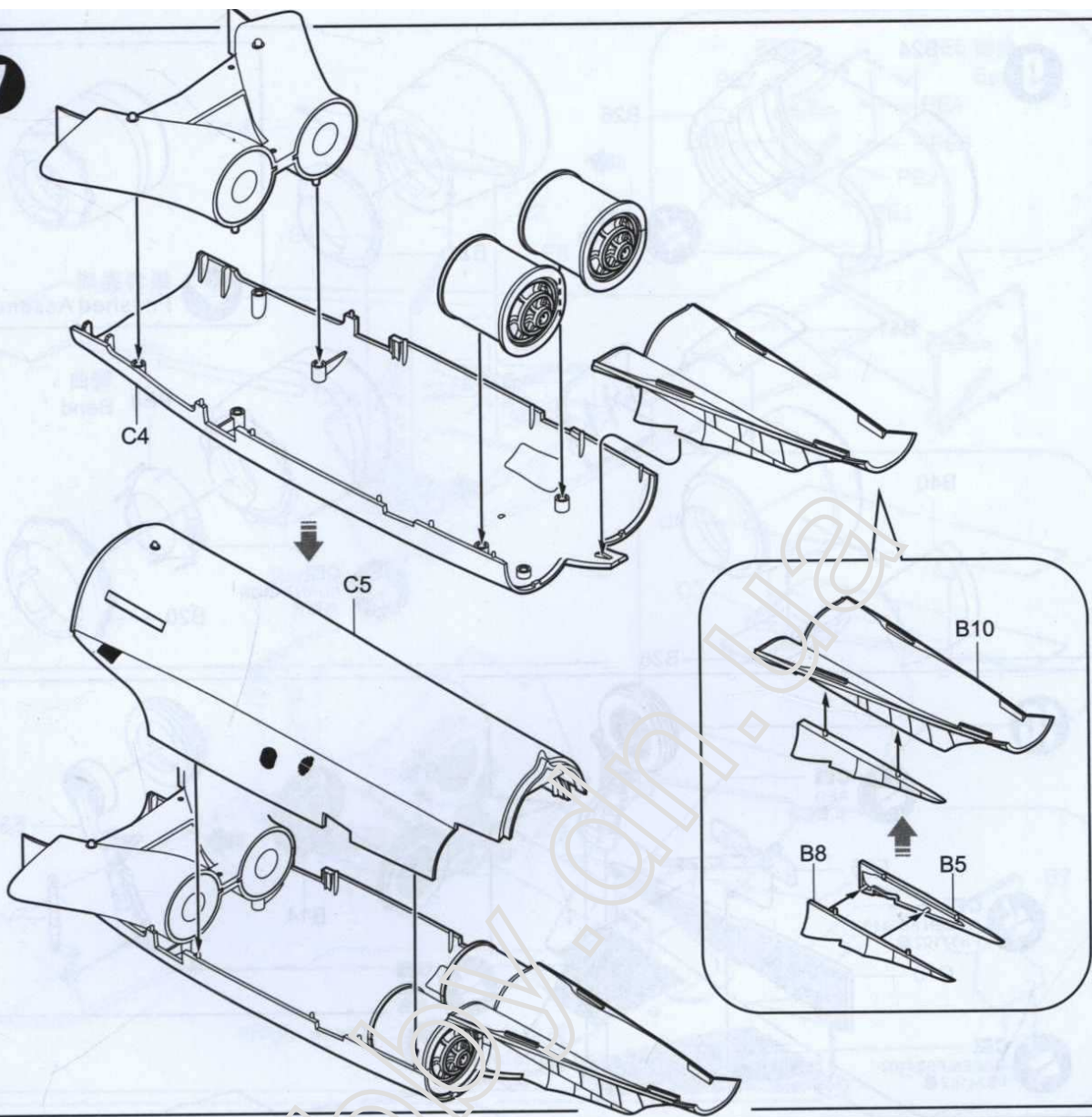
E41

C19 SANDY BROWN 砂褐色

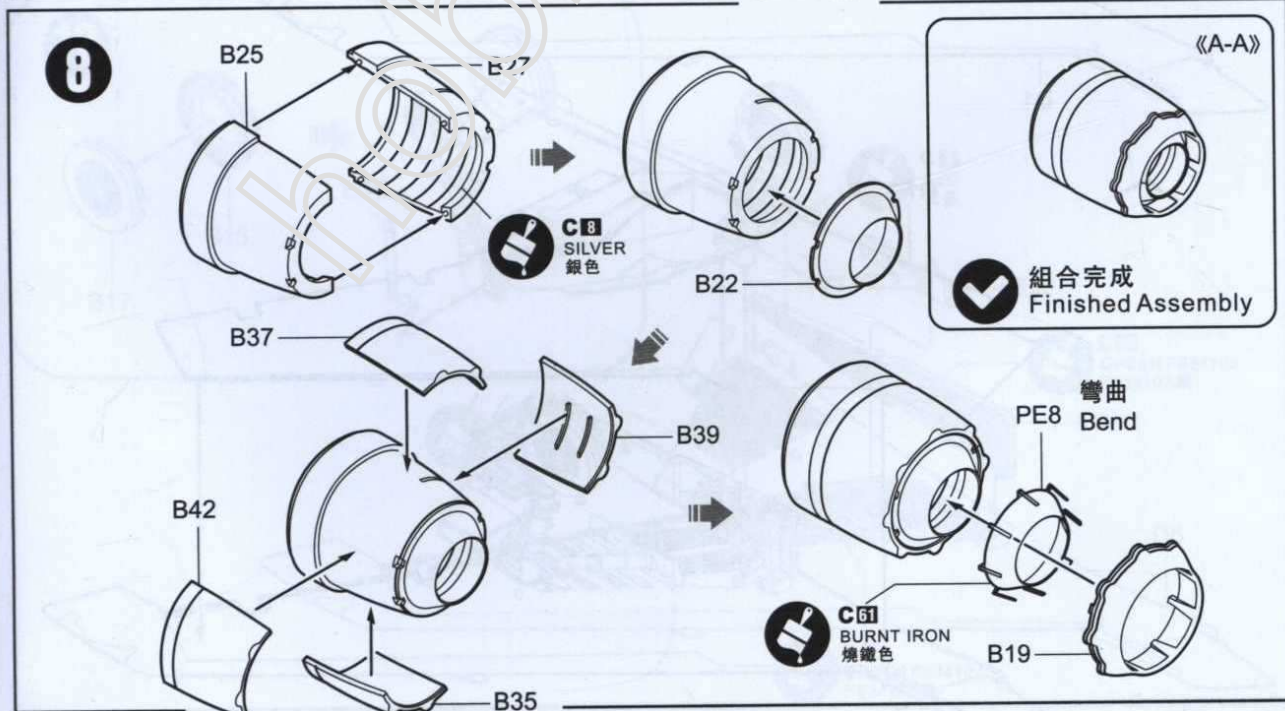
C303 GREEN FS34102 FS34102 綠

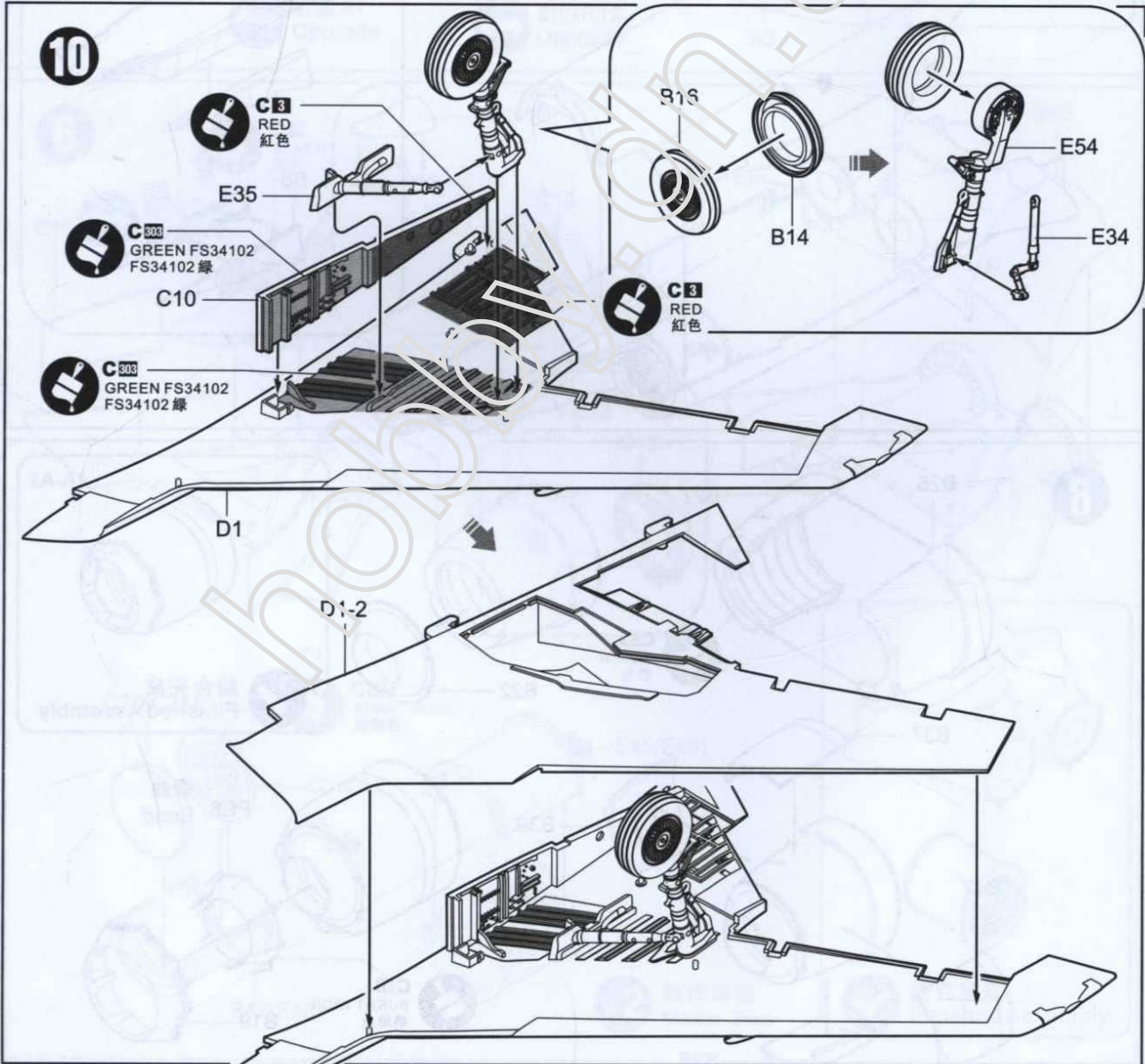
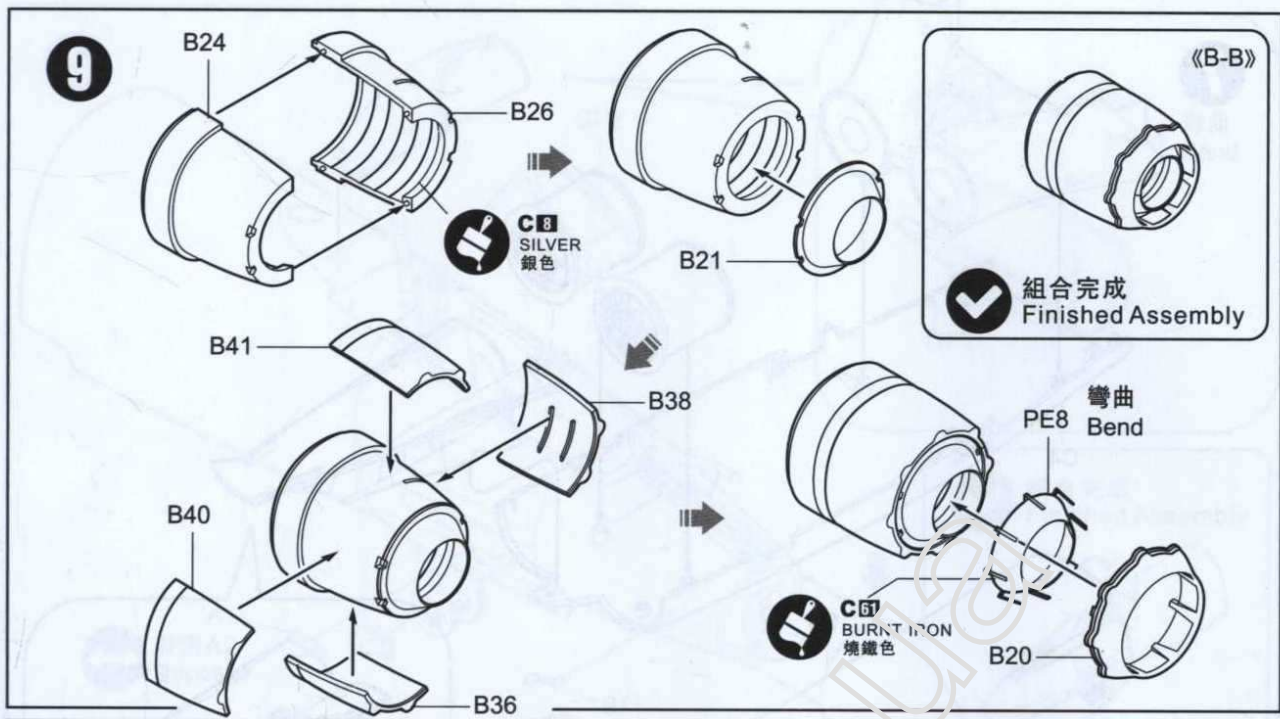


7

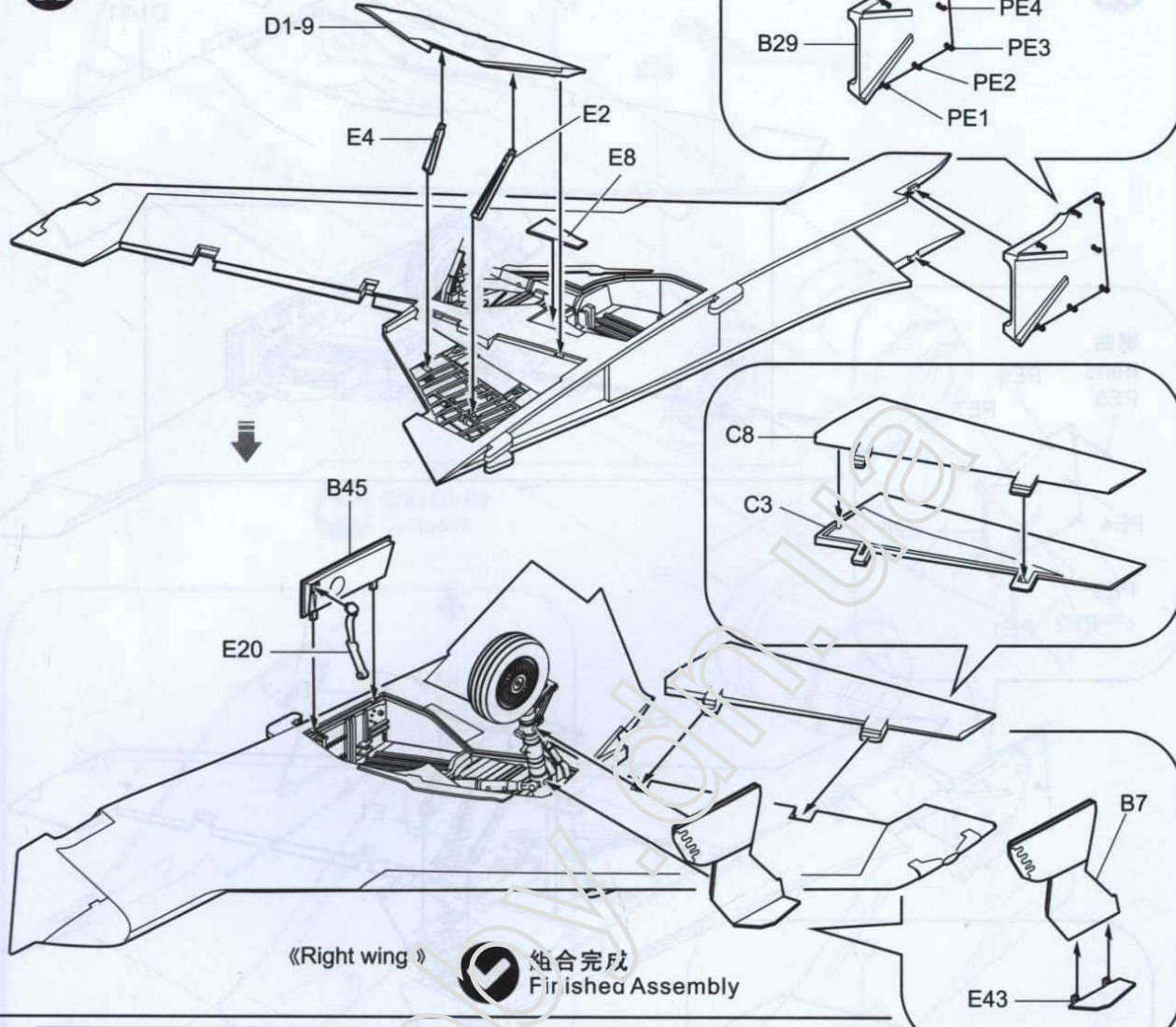


8



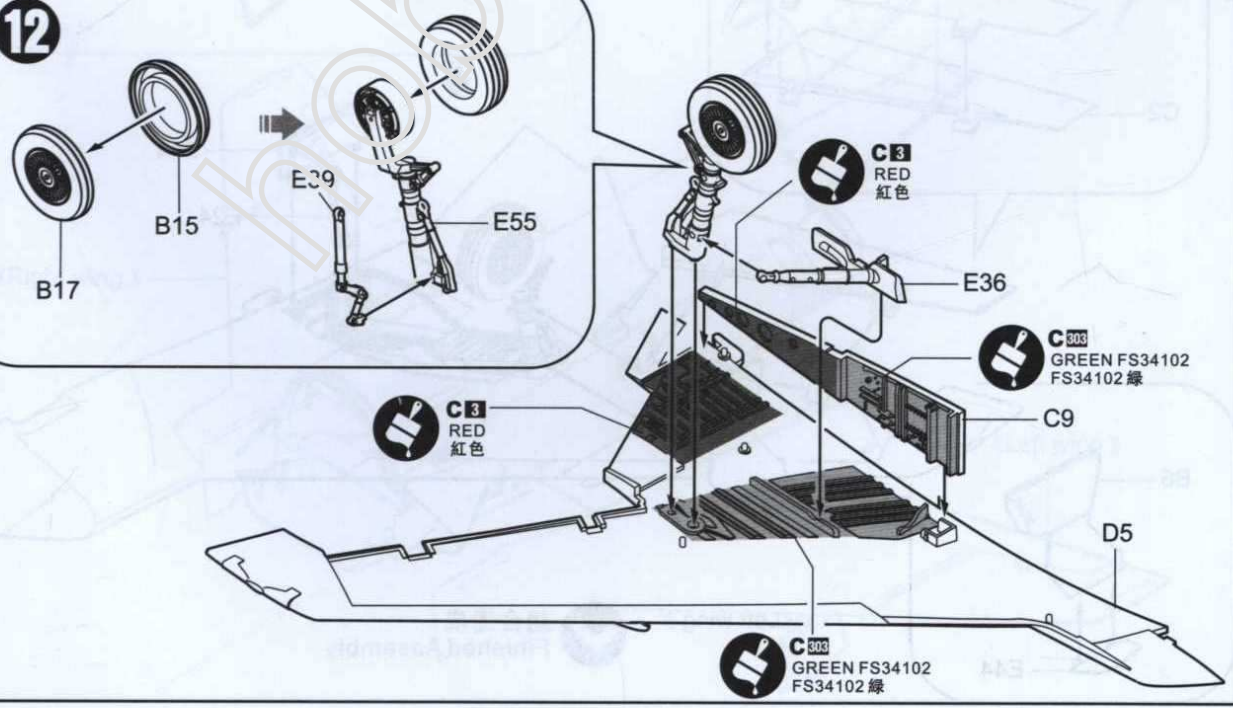


11



《Right wing》
 組合完成
 Finished Assembly

12



13

D1-11

彎曲

Bend

PE5

PE6

PE7

PE4

B28

PE3

PE2

PE1

PE4

PE3

PE2

PE1

E7

D1-3

E3

E1

C7

C2

B44

E24

B6

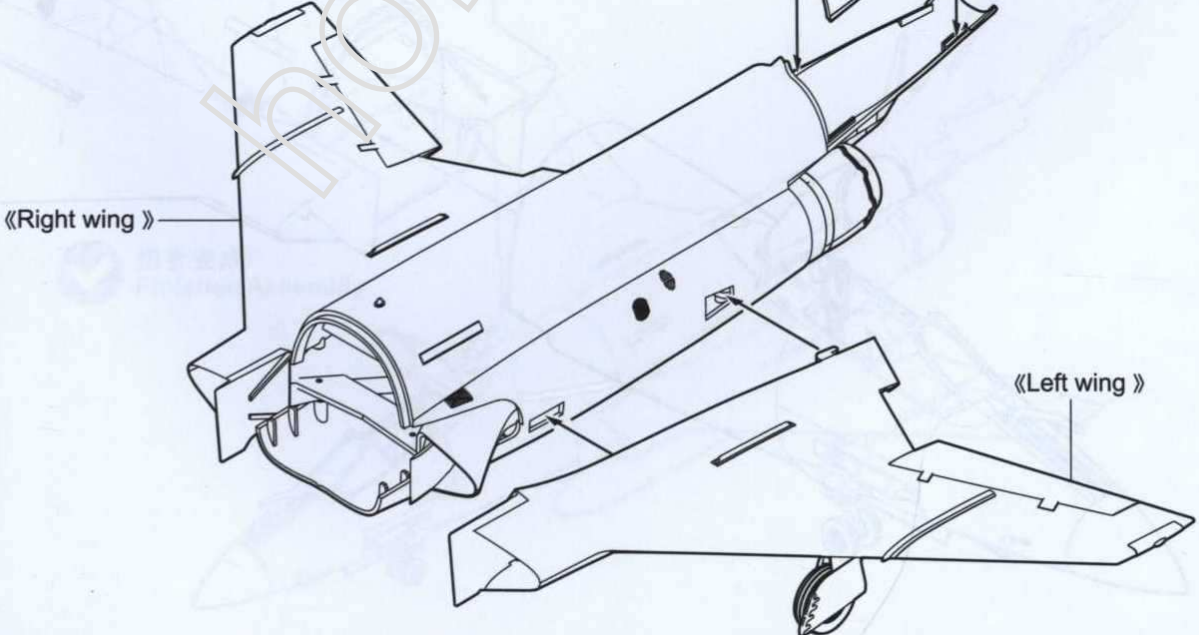
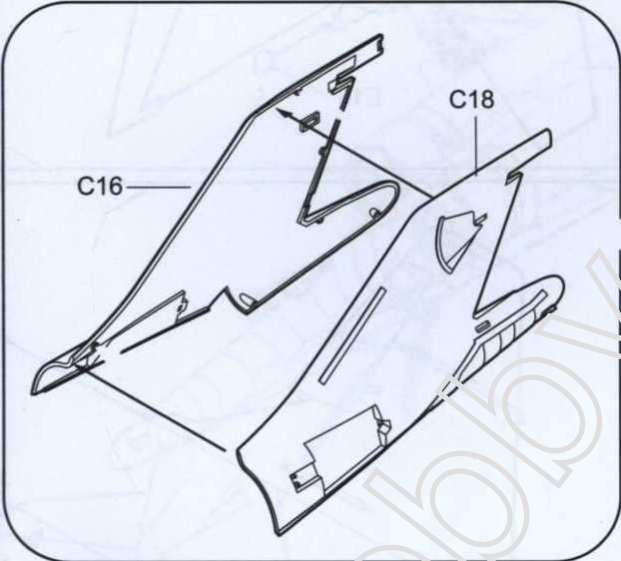
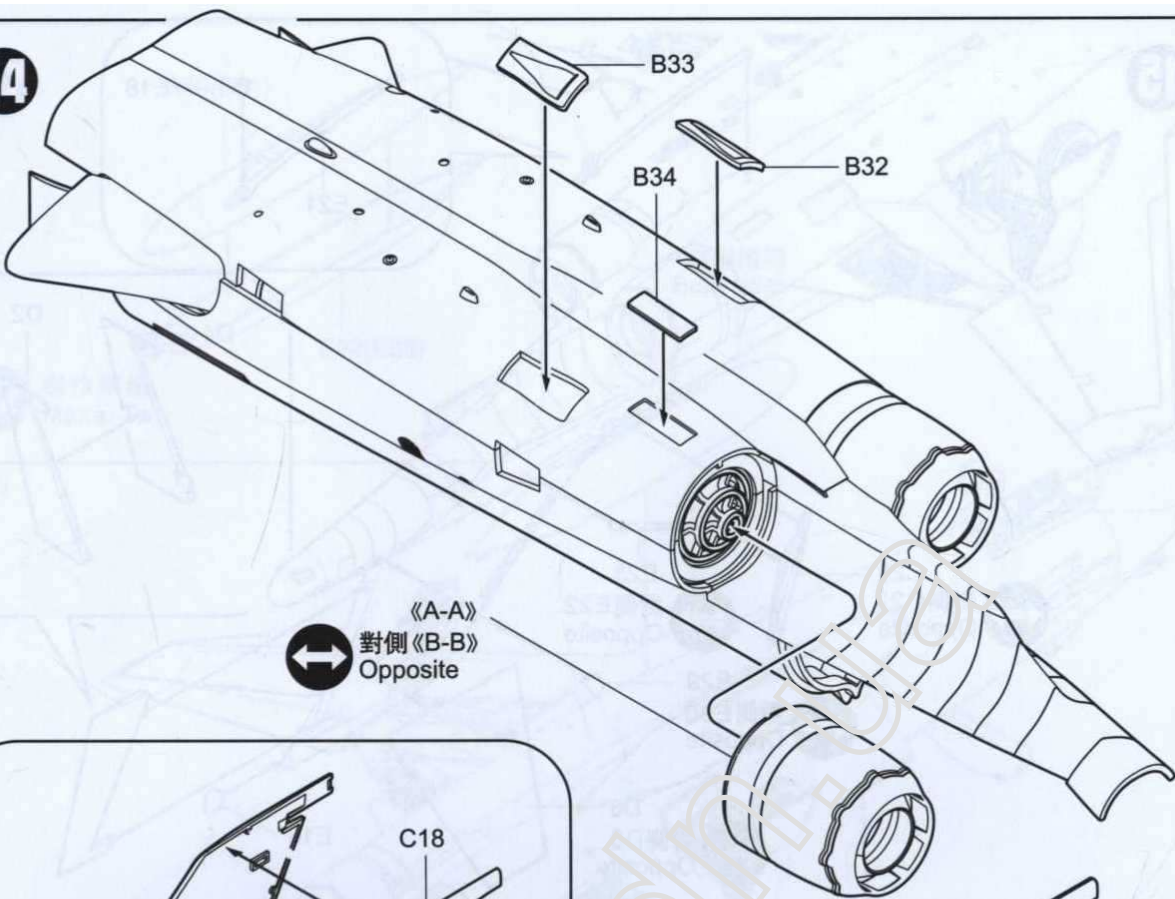
E44

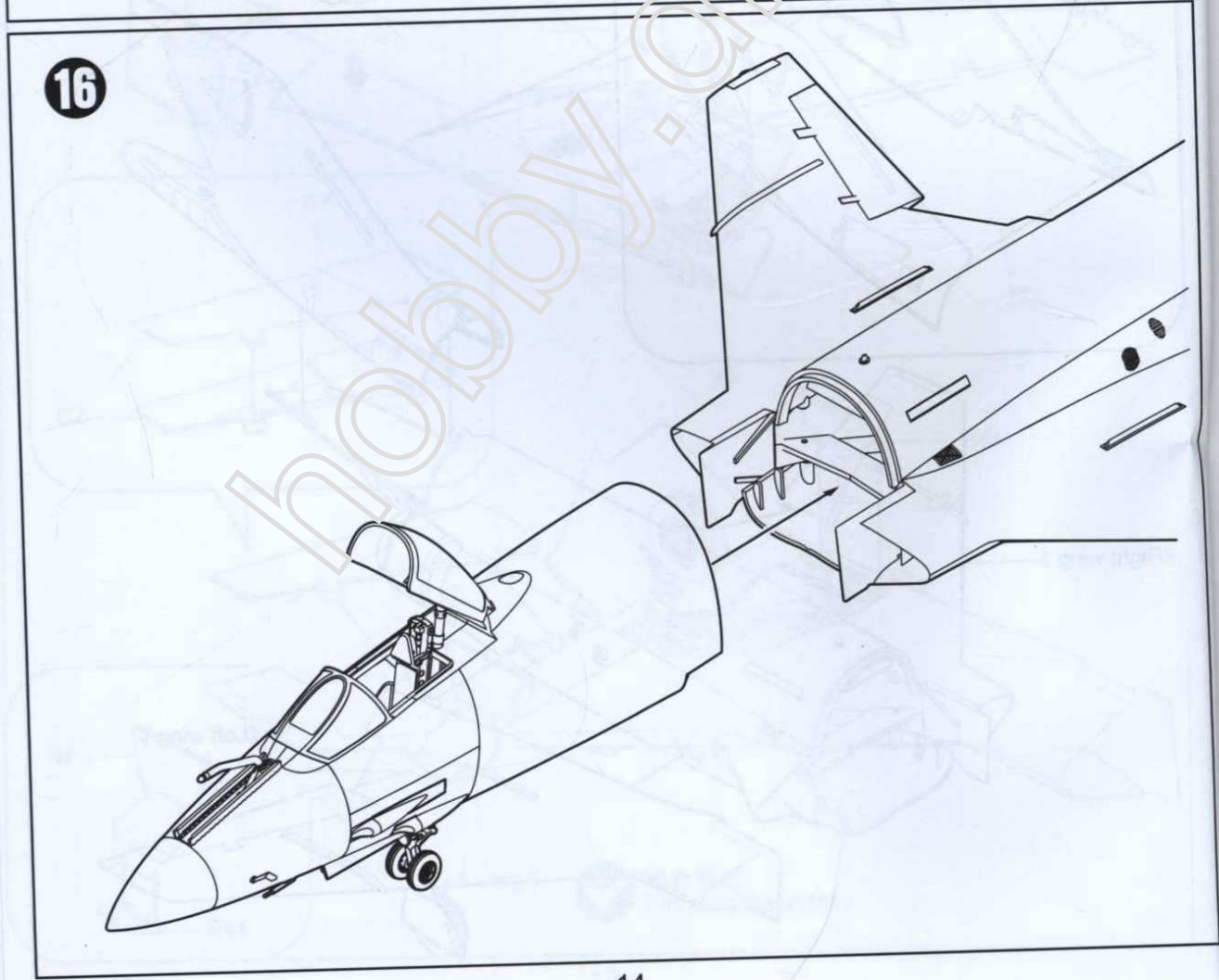
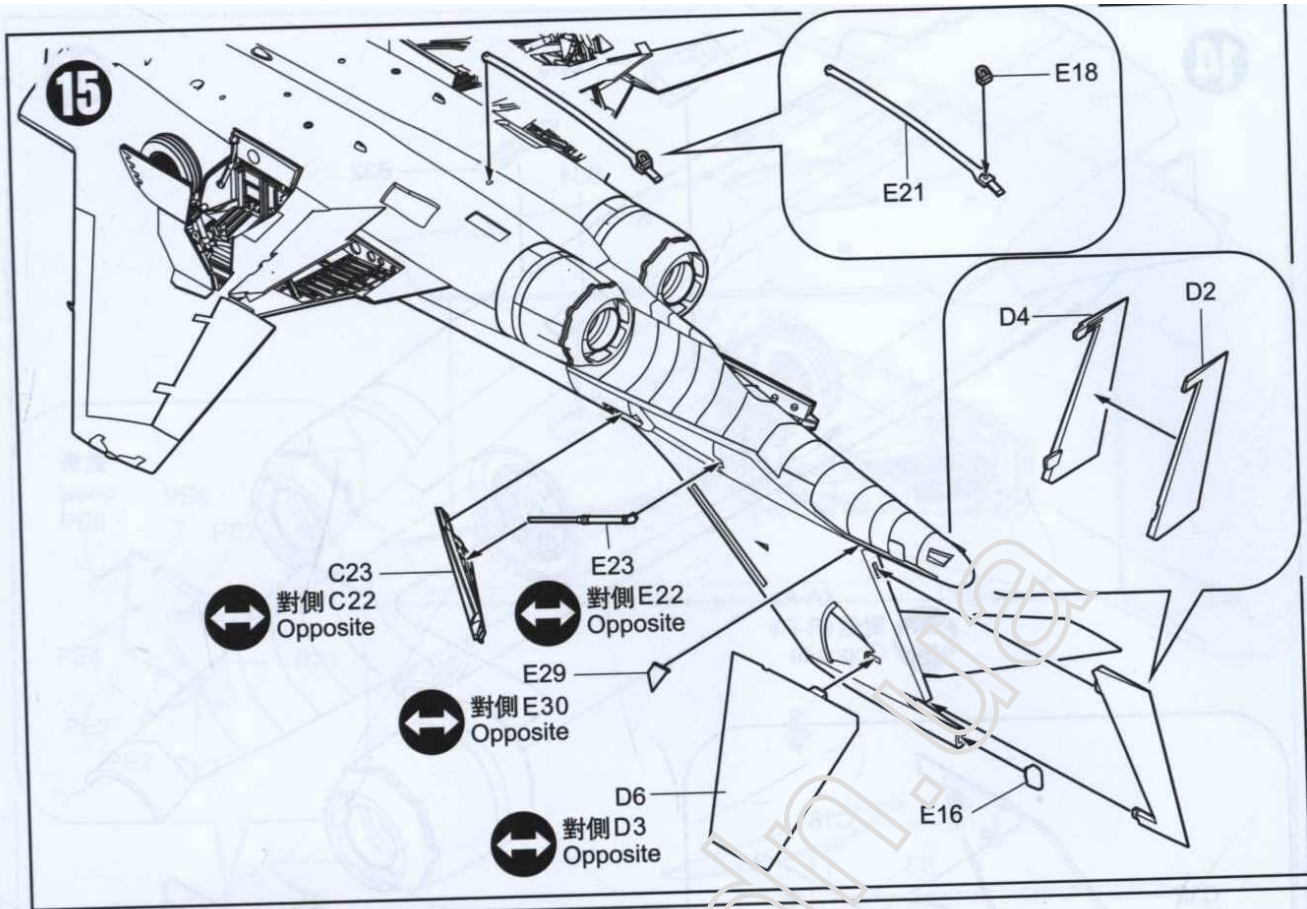
《Left wing》



組合完成
Finished Assembly

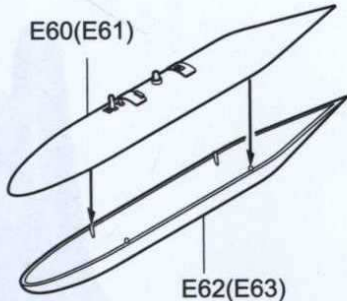
14





17

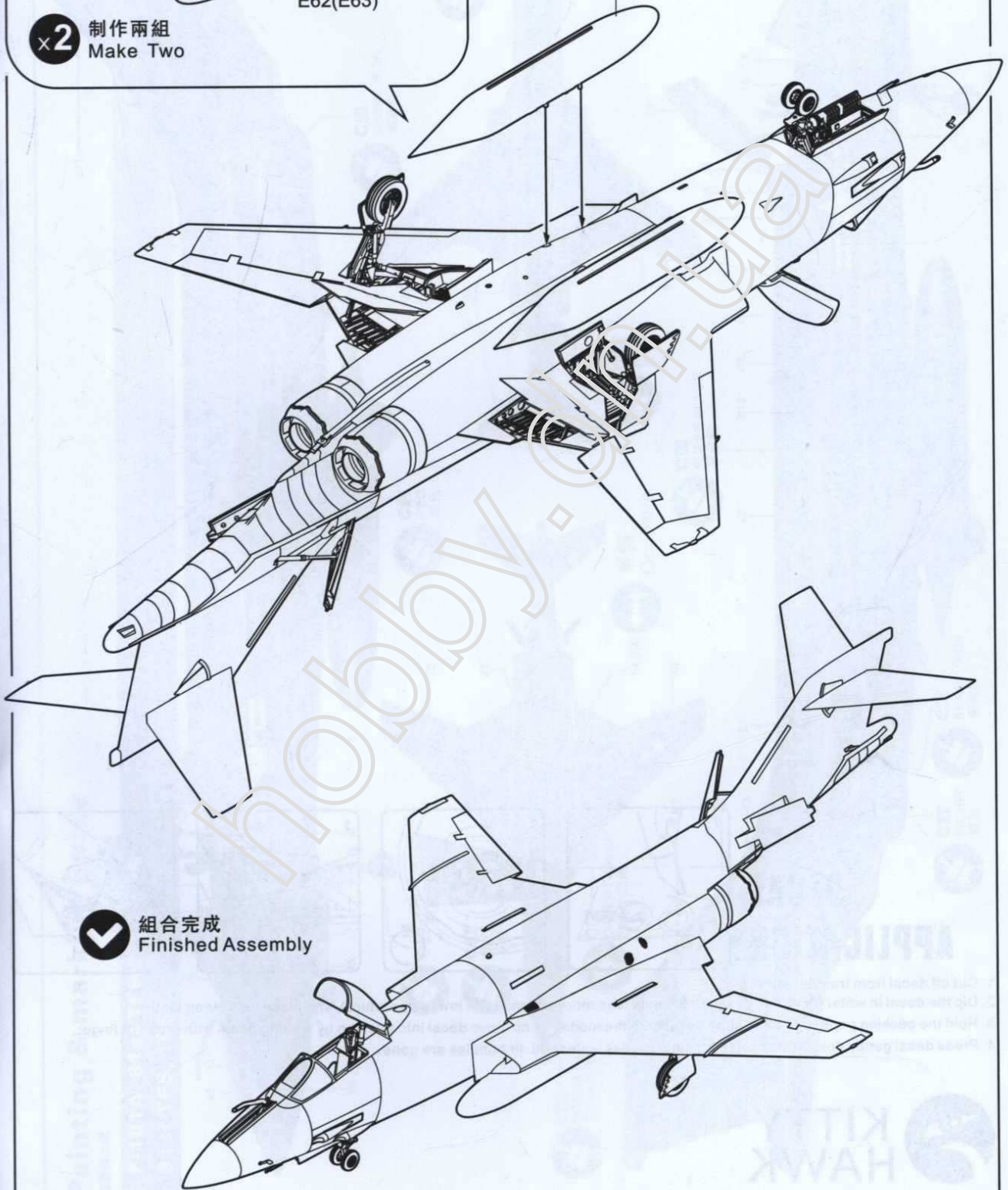
E60(E61)



E62(E63)

對側相同
Both sides

×2 制作兩組
Make Two



組合完成
Finished Assembly