

# MiG-17F 'Fresco'

www.mistercraft.eu

ART BY ADAM MARCINIAK

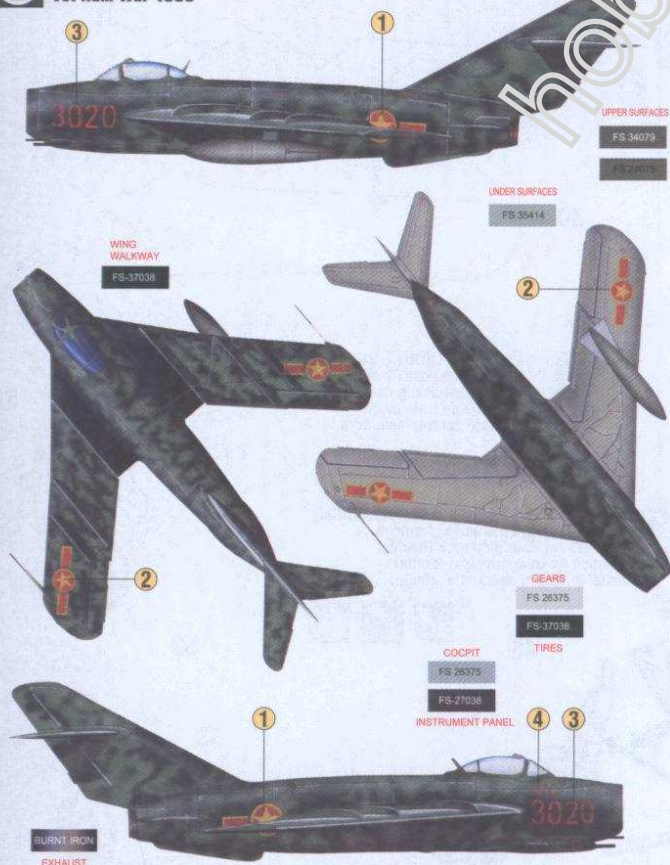
F-02

**Short history of the aeroplane.** In the beginning of the 50's years there were air combats on the Korea sky between the best fighters of the time the MiG-15 and the F-86, "Sabre". During these years the greatest attention of the project offices was increasing of fighter's speed and first of all the exceeding of sound's speed. In December 1949 was tried in the Soviet Union the fighter with the mark I-330 (SI) for first time and later marked as MiG-17. This single-seat jet fighter came right from the legendary predecessor MiG-15bis and was different by the change of wing's construction where the double sweeping was used (the 55° near the root of part wing and the 45° on the outside wing's part). The change of the tail areas was concerning the tail area's increasing and tail's sweep angle extending. For improving of directional stability the fighter was equipped by the added ventral fin under the back fuselage. The areas of speed brakes were proportionally enlarged on the side of the fuselage's hip as well. The version MiG-17 and equipped by the jet engine „Klimov VK-1A” with the thrust 26,5 kN in take-off was indicated like the basic version. The armament was made up of two cannons, NR-23 with calibre 23 mm and the other one NR-37 with calibre 37 mm. The attack fighter that was marked MiG-17 used the same jet engine „Klimov VK-1A” and was equipped with the radar set „RP-1 Izumrud” and with three cannons NR-23 with calibre 23 mm. Installation of the newest jet engine „Klimov VL-1F” with afterburning allowed increasing the thrust of 25 % during 3 minutes. That version equipped by this newest jet engine was marked MiG-17F. On based of this version was inferred next version of the attack fighter MiG-17PF. Its radar set „RP-1 Izumrud” in the version „PF” was made to looking for targets during night and worse weather conditions during day (in this case it was the modernization of the version MiG-17PF with using of the jet engine VK-1F). The next modernization of this version were only changes of inside equipment, radar sets (as using of radar set RP-5 and new radio range-finder SRD-1) and some arrangements of interior. Except the Soviet Union the fighter MiG-17 was made in Poland and China. The fighter MiG-17F was made in the large series in Poland under designation Lim-5 and in China as J-5. Polish made planes differed from original Russian production with better finish and aerodynamical performances.

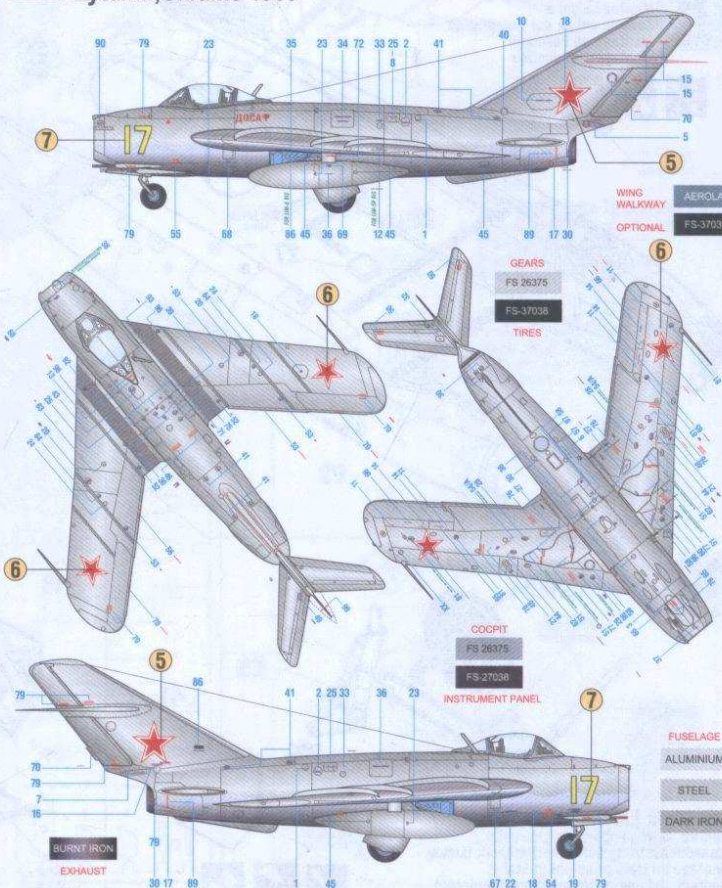
**Basic tactic and technical data:** • Dimensions: Span: 9,628m (31,6ft), Length: 11,68m (38,32ft), Height: 3,8m (12,48ft) • Weights: Empty weight: 4 128kg (9220lb), Maximum Take-off weight: 6330kg (13955lb); • Performances: Maximum speed: at 13 125 ft: 1121 km/h (697mh) Ceiling: 15 550m (52000ft), Maximum range: 1930km (1200 miles); • Armament: 3x cannon NR-23

●GB. Marking and Painting Guide ●D. Markierung und Bemalanleitung ●PL. Oznaczenie i Malowanie ●F. Peinture et marquage Guide ●NL. Schilderen en markeringen gids ●ESP. Pintura y Guia de Marcas ●POR. Pintura e Guia de Marcas ●I. Pittura e Guida Marcature ●S. Målning och märkning Guide ●FIN. Maalaus ja merkinnät opas

## 1 MiG-17F Viet Nam Air Force, Không quân Nhân dân Việt Nam Viet Nam War 1965



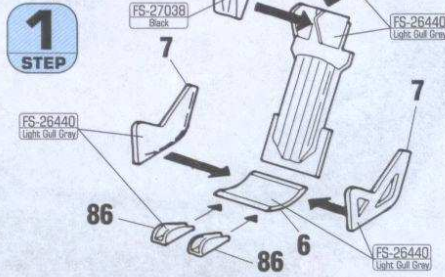
## 2 MiG-17F Военновъздушни сили, ВВС Zytomir, Ukraine 1960



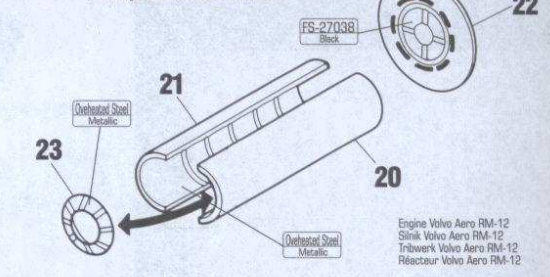
# GB.Assembly instruction

- D.Montageanleitung
- PL.Instrukcja montażu
- F.Notice de montages
- Cz.Montážní návod
- Инструкция по монтажу

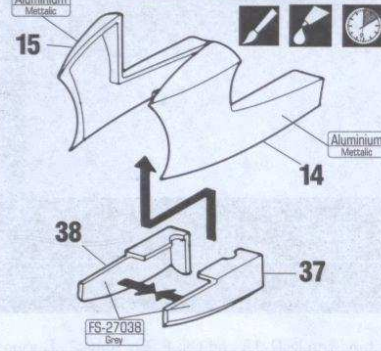
## Ejection Seat Assembly Montaż Fotela Pilota Zusammenbau der Katapultsitz Montage du Siège Montaje del Asiento



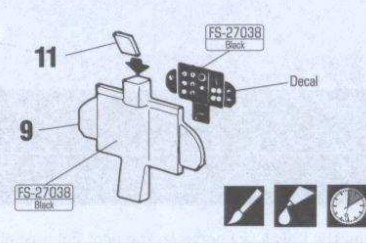
## 2 STEP Jet-Engine Assembly Montaż Silnika Odrzutowego Zusammenbau des Strahltriebwerk Montage le turboréacteur Montaje los motor de reacción



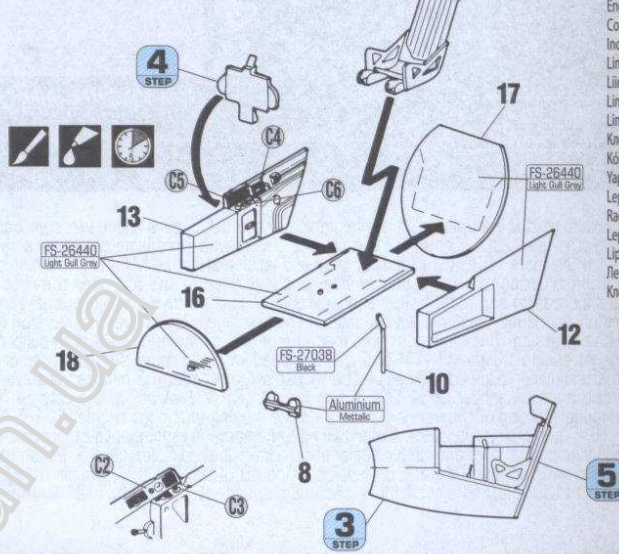
## 3 STEP Intake Assembly Montaż wlotu powietrza Einbau des Bugfahrwerks Fixation du train avant



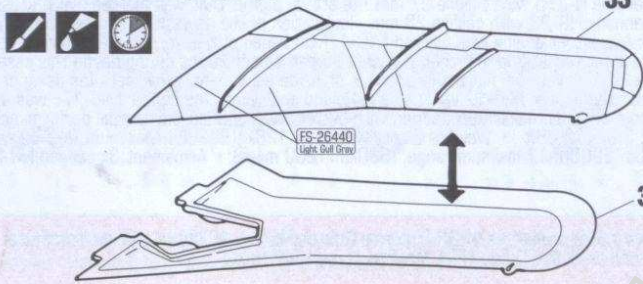
## 4 STEP Instrument Panel Painting Malowanie Tablicy przyrządów Bemalung des Sietz Peinture du Siege Pintura del Asiento



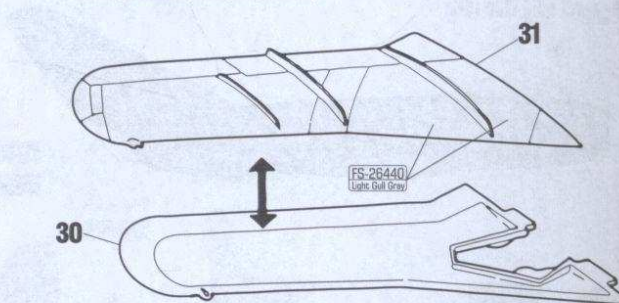
## 5 STEP Cockpit Assembly Montaż Kabin Pilotów Bausatz der Cockpit Montage l' Poste du Pilote Montaje del Cabina de Piloto



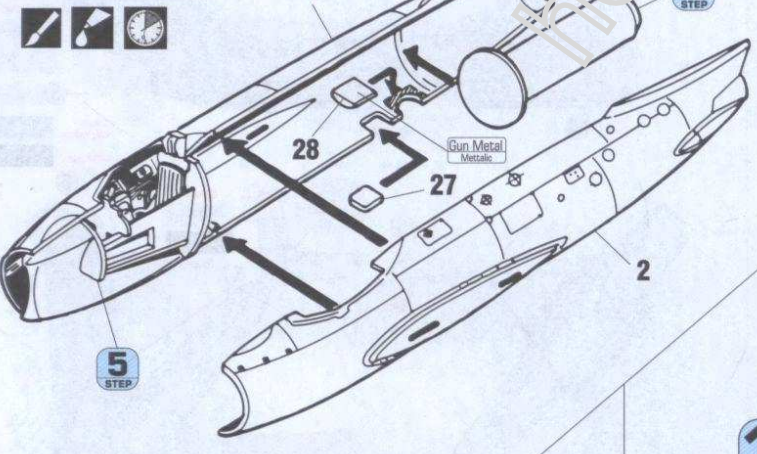
## 6 STEP Left Main Wing Assembly Montaż Lewego Skrzydła Zusammensetzung der Links Tragflächchen Montage des ailes principal (gauche) Montaje del ala principal (izquierdo)



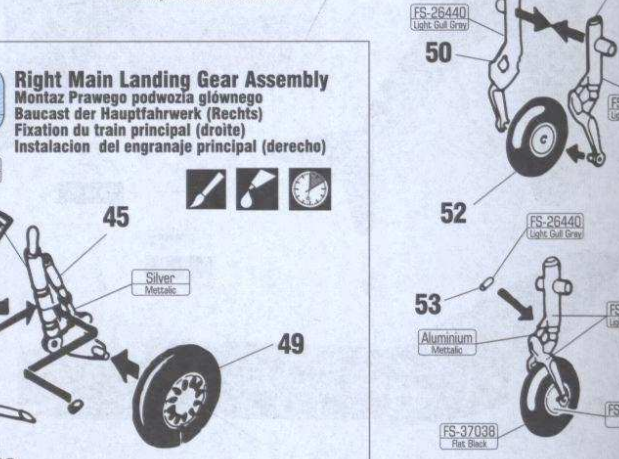
## 7 STEP Right Main Wing Assembly Montaż Prawego Skrzydła Zusammensetzung der Rechts Tragflächchen Montage des ailes principal (droite) Montaje del ala principal (derecho)



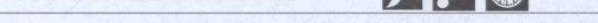
## 8 STEP Fuselage Assembly Montaż kadłuba Zusammenbau der Rumpfhäute Montage du Fuselage Montaje del Fuselaje



## 11 STEP Front Landing Gear Assembly Montaż Podwozia Przedniego Zusammensetzung der Bugfahrwerk Montage de train avant Montaje del tren delantero



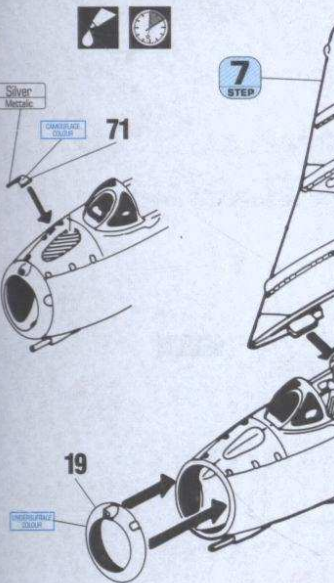
## 10 STEP Left Main Landing Gear Assembly Montaż Lewego podwozia głównego Zusammensetzung der Hauptfahrwerk (Links) Montage du train principal (gauche) Montaje del engranaje principal (izquierdo)



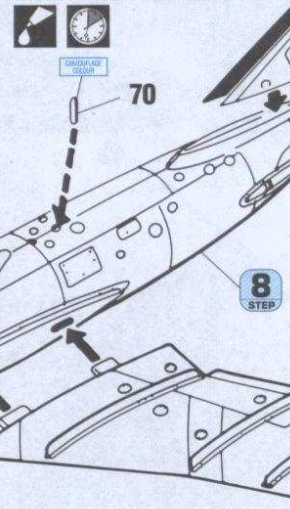
## 11 STEP Right Main Landing Gear Assembly Montaż Prawego podwozia głównego Bausatz der Hauptfahrwerk (Rechts) Fixation du train principal (droite) Instalacion del engranaje principal (derecho)



**14 STEP** Right Main Wing Installation  
 Instalacja Prawego Skrzydła  
 Baucast der Rechts Tragflächchen  
 Fixation des ailes principal (droite)  
 Instalacion del ala principal (derecho)



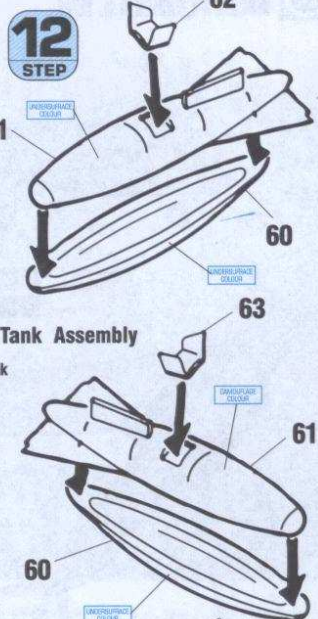
**17 STEP** Tail Fins Parts Assembly  
 Montaż detali statecznika pionowego  
 Zusammensetzung des beiwerk Seitenleitwerks  
 Montage des détails Empennage vertical  
 Montaje piezas del Cola vertical



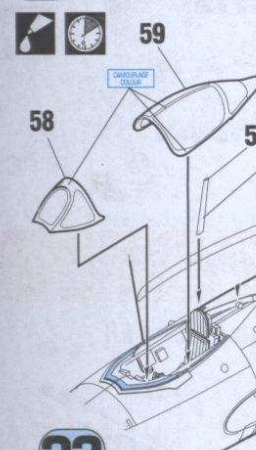
**18 STEP** Horizontal Stabilizers Intallation  
 Zainstalowanie stateczników poziomych  
 Einbau der Höhenflössen  
 Fixation des stabilisateurs horizontaux  
 Instalacion Estabilizadores



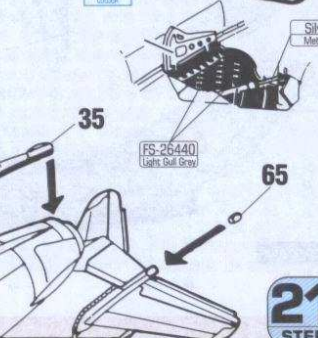
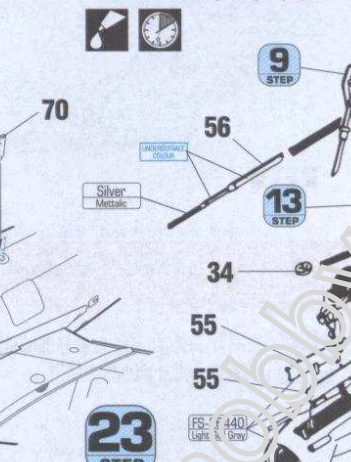
**13 STEP** External PTB-1000 Under Wing Fuel Tank Assembly  
 Montaż 1000 l. Zbiornika podskrzydłowego  
 Zusammensetzung der PTB-1000 Tragflächentank  
 Montage du PTB-1000 réservoir d'aile de 1000l  
 Montaje del PTB-1000 del tanque cisterna



**16 STEP** Intake Installation  
 Zainstalowanie Wlotu  
 Einbau der Lufteinlass  
 Fixation de l'entree d'air



**15 STEP** Left Main Wing Installation  
 Instalacja Lewego Skrzydła  
 Baucast der Links Tragflächchen  
 Fixation des ailes principal (gauche)  
 Instalacion del ala principal (izquierdo)

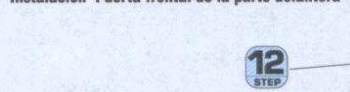


**21 STEP** External Under Wing Fuel Tank Installation  
 Instalacja 1000 l. Zbiornika podskrzydłowego  
 Einbau der PTB-1000 Tragflächentank  
 Fixation du PTB-1000 réservoir d'aile de 5000l  
 Instalacion del PTB-1000 del tanque cisterna

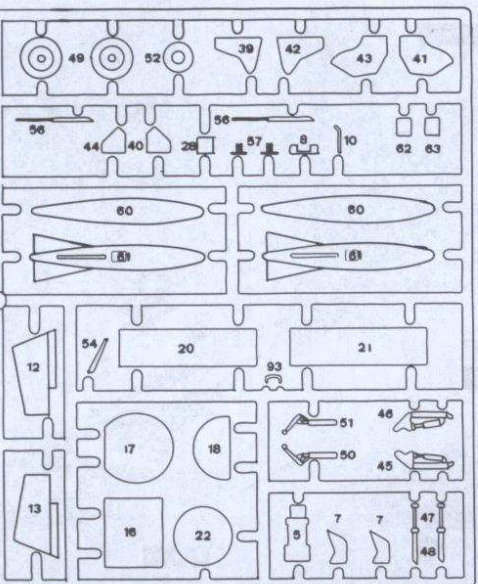
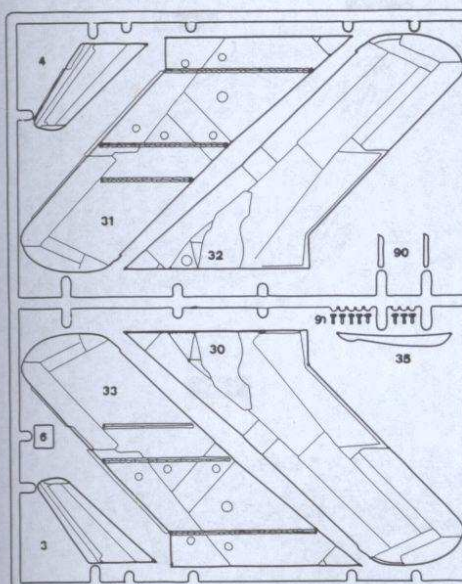
**23 STEP** Canopy Installation  
 Zainstalowanie Osłony Kabiny  
 Einbau der Kabinendach  
 Fixation de la Verriere  
 Instalacion de la Doser



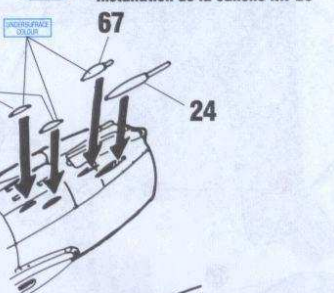
**23 STEP** Nose Landing Gear Cover Installation  
 Instalacja Osłony Podwozia Przedniego  
 Einbau des Bugfahrwerk-Klappen(Nose)  
 Fixation des ptapes du train Avant  
 Instalacion Puerta frontal de la parte delantera



**22 STEP** Various Parts Installation  
 Zainstalowanie pozostałych elementow  
 Baucast andere Teile  
 Fixation d'autres parties  
 Instalacion otras Partes



**19 STEP** NR-23 Canon Installation  
 Zainstalowanie działka NR-23  
 Einbau der Kanone NR-23  
 Installation de la canone NR-23



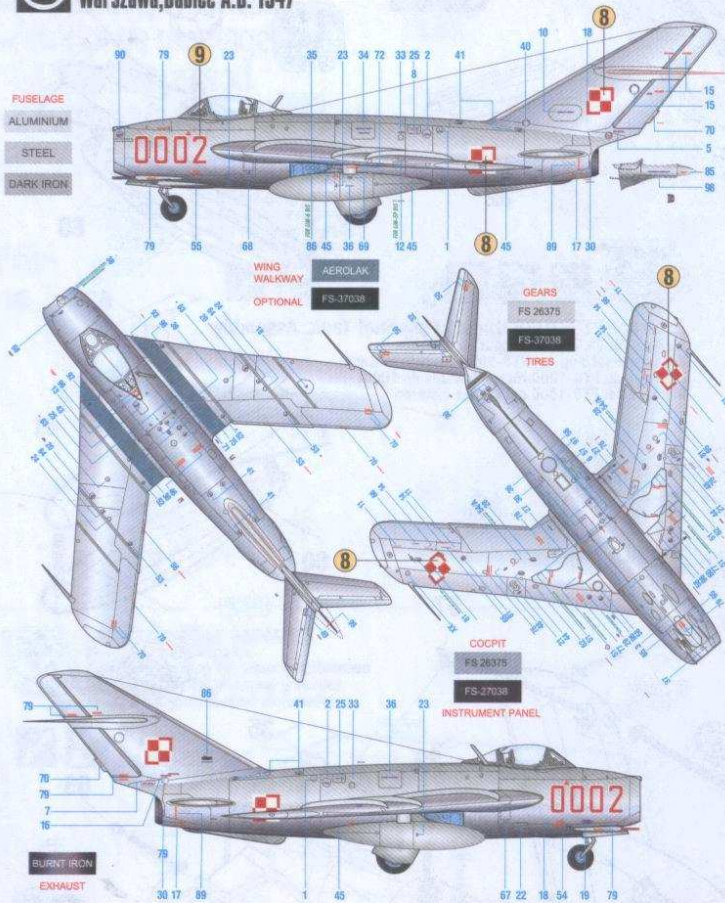
**20 STEP** NR-37 Canon Installation  
 Zainstalowanie działka NR-23  
 Einbau der Kanone NR-23  
 Installation de la canone NR-23



# Marking & Painting

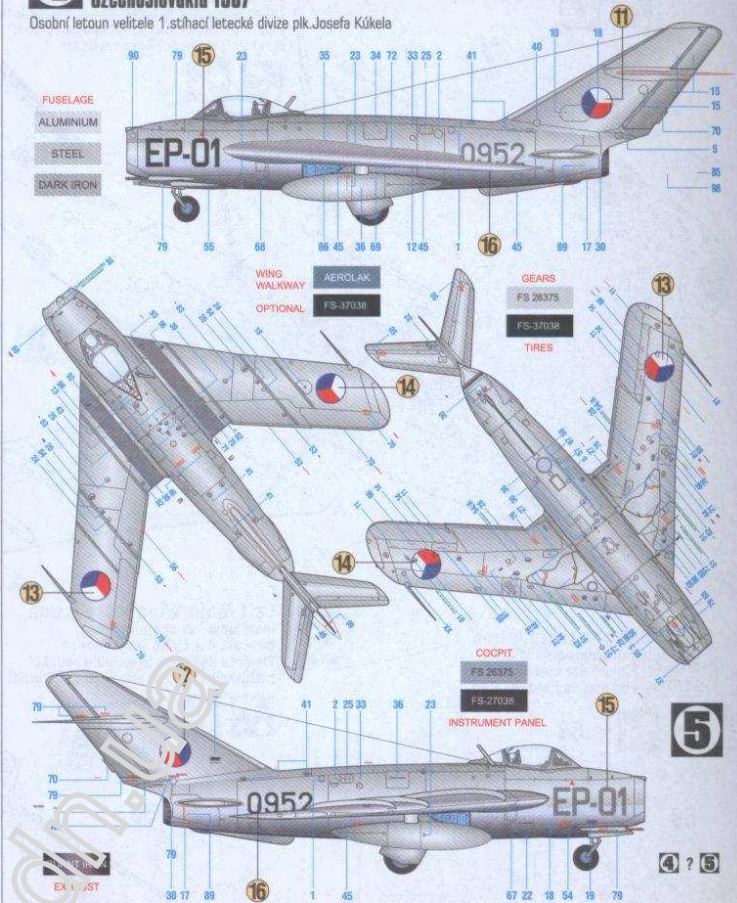
•DEN. Bemaling og markeringer Guide •NOR. Maleri og Markings Guide •RUS. Окраска и маркировка руководство •GR. Ζωγραφική και Σημάνσεις Οδηγός •CZ. Malování a Značení

## 3 MiG-17F Viet Nam Air Force (Ludowe Lotnictwo Polskie) Warszawa, Babice A.B. 1947



## 4 MiG-17F Československé Vojenské Letectvo 1 (Czechoslovakian Air Force) Czechoslovakia 1957

Osobní letoun velitele 1. stíhací letecké divize plk. Josefa Kúkele

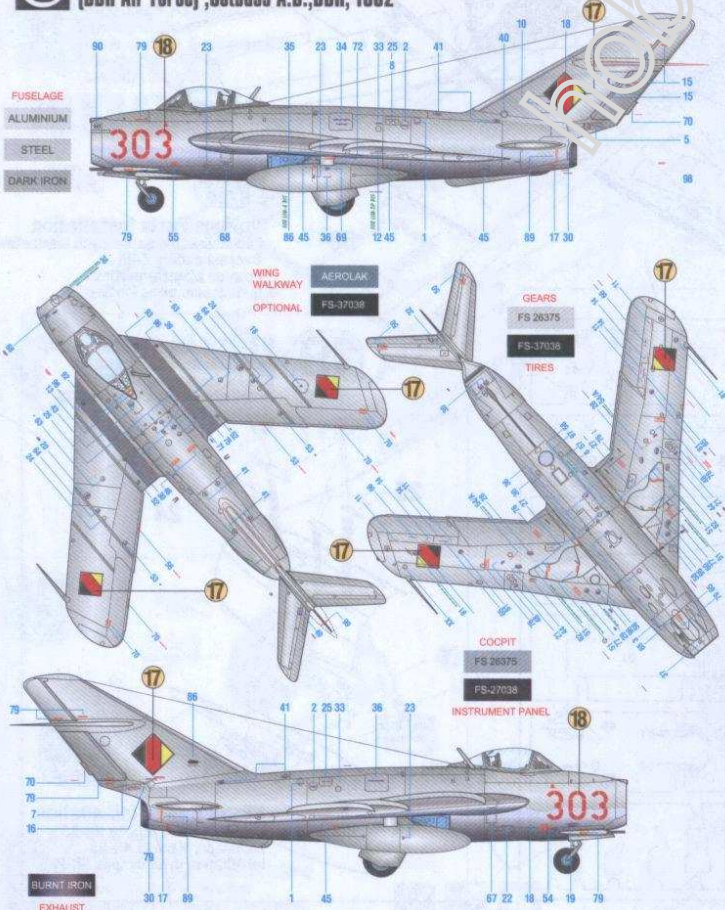


The same airplane with changed tactical number from front fuselage EP-01 to rear fuselage 0952.

•TUR. Kilavuz Boyama ve Markalama •H. Festék rendszer és jelölések •SK. Malovanie a značenie Guide •Rum. Marcarea si pictura Ghid

•BUL. Живопис и маркировка Ръководство •UA. Маркування та живопис керівництва

## 6 MiG-17F Luftstreitkräfte der Nationalen Volksarmee - LSK (DDR Air Force), Cottbus A.B., DDR, 1962



## 7 MiG-17F Tentara Nasional Indonesia-Angkatan Udara (Indonesian A.F) Jakarta, A.B., Indonesia 1961

