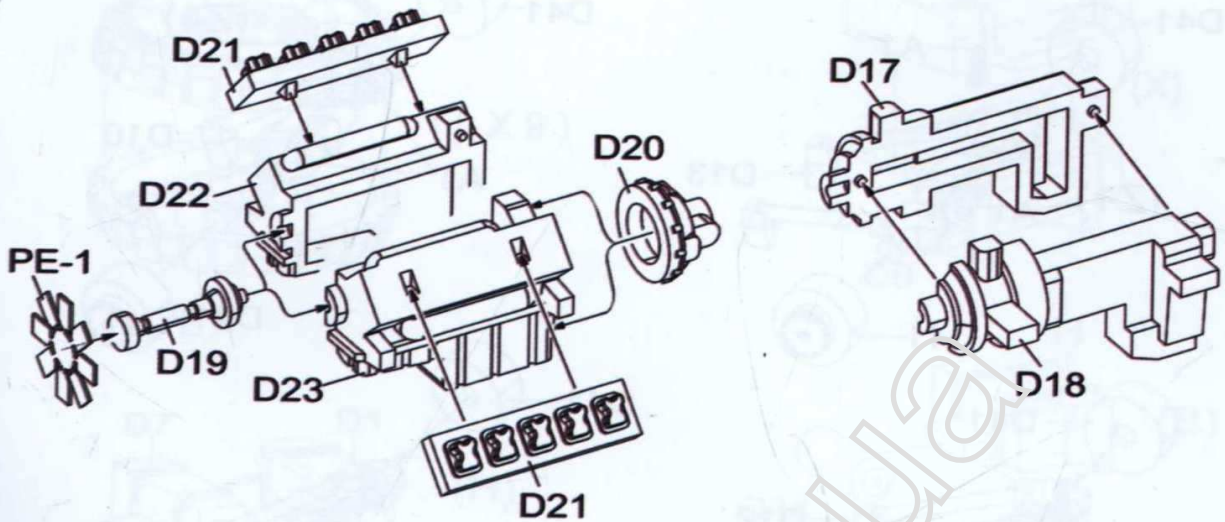


Decal

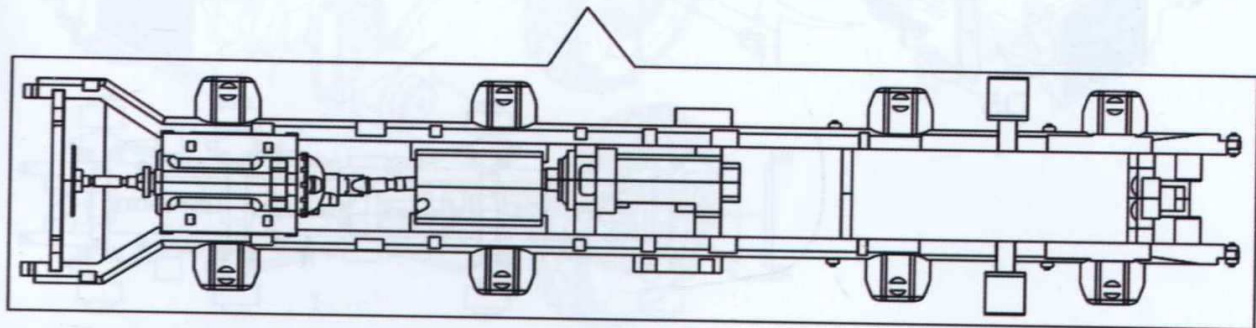
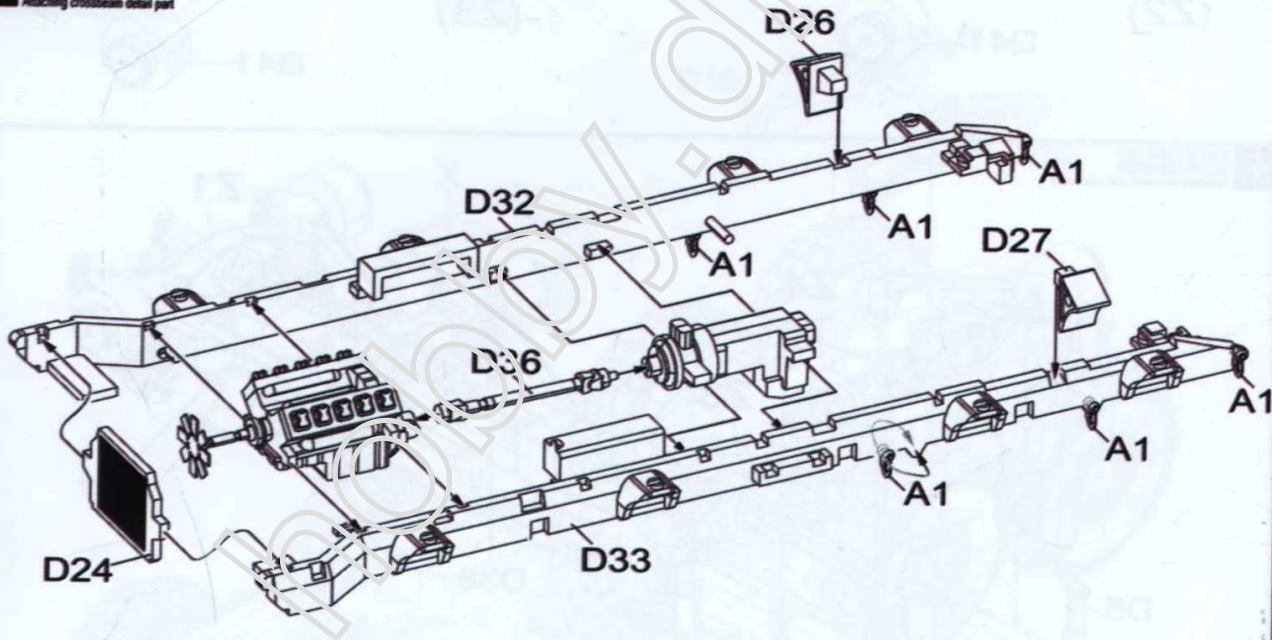
1

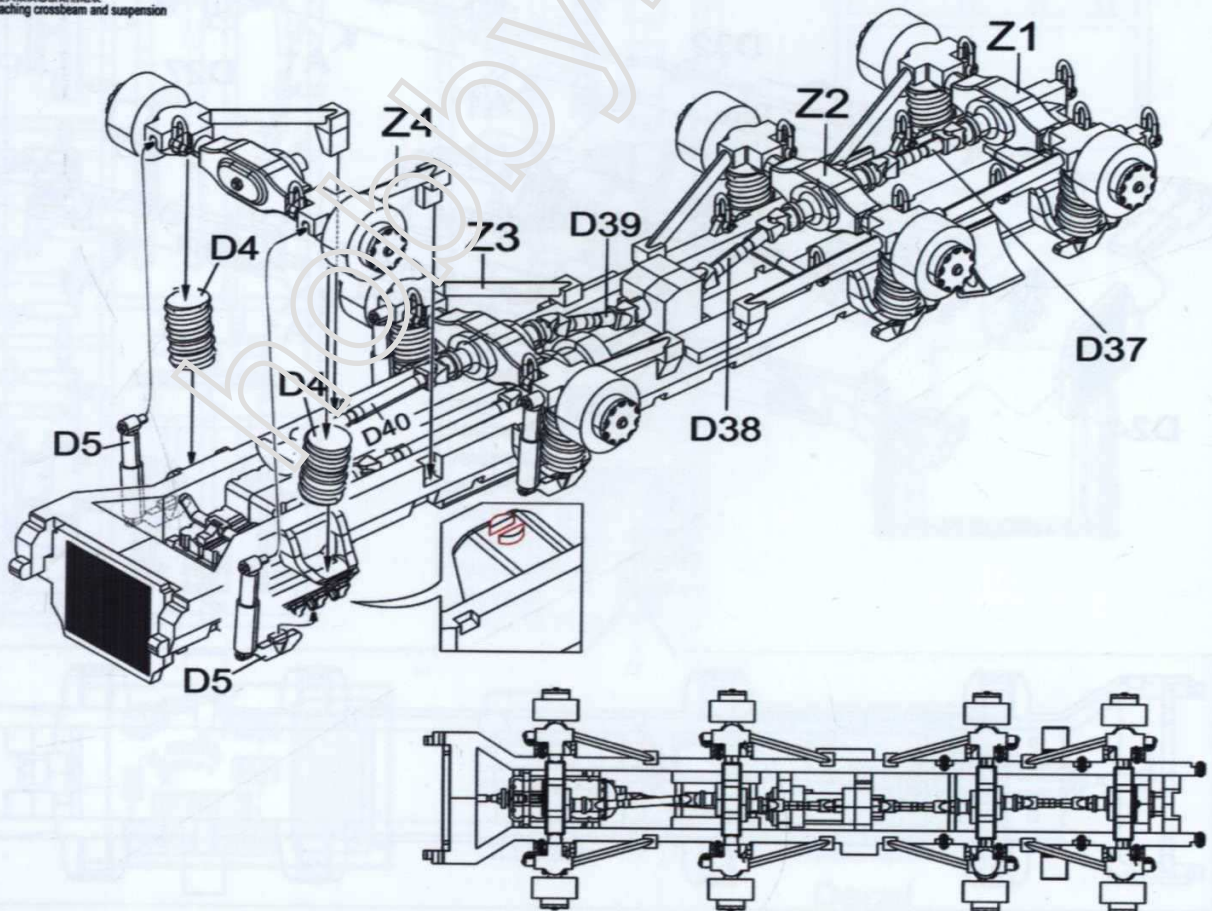
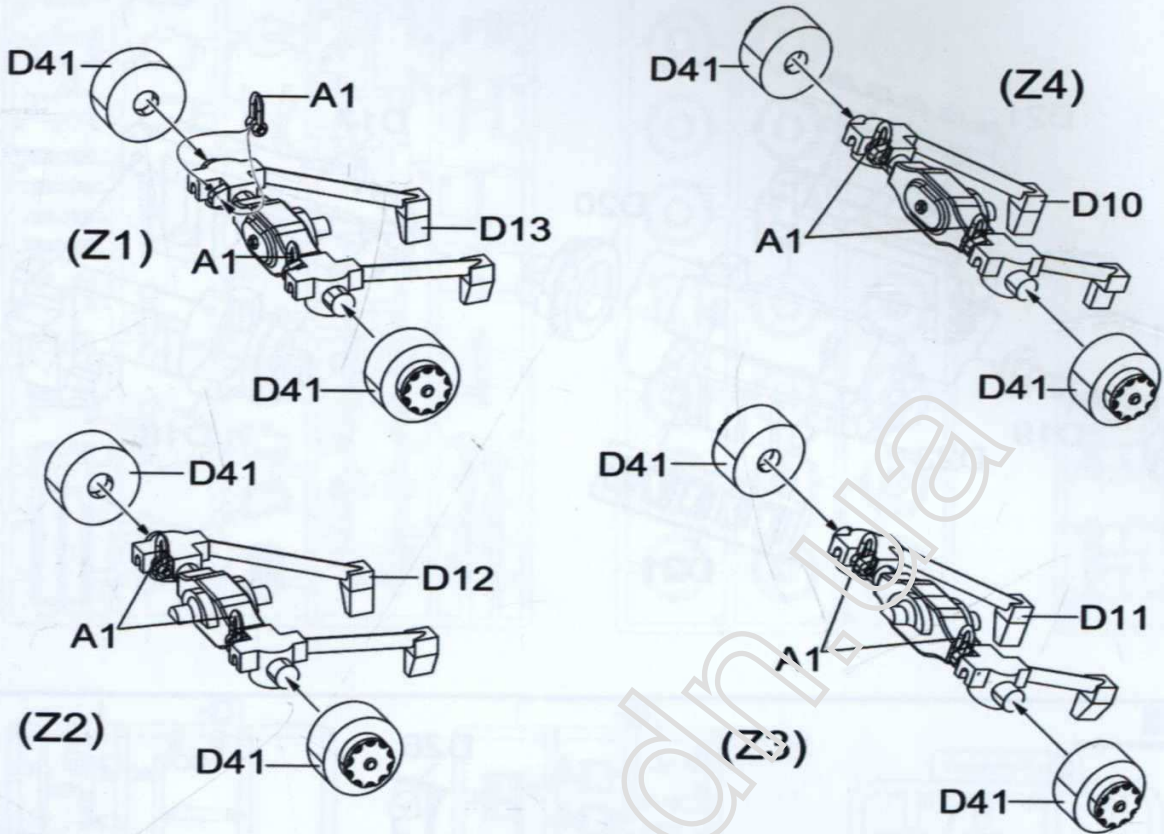
发动机及传动系统
安装发动机及传动系统
Attaching engine part and transmission system



2

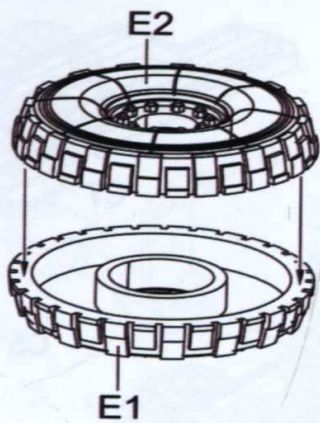
车架大梁附件安装
安装车架大梁附件
Attaching crossbeam detail part



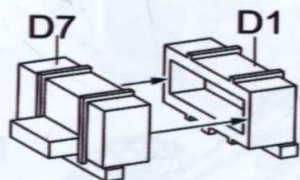


5

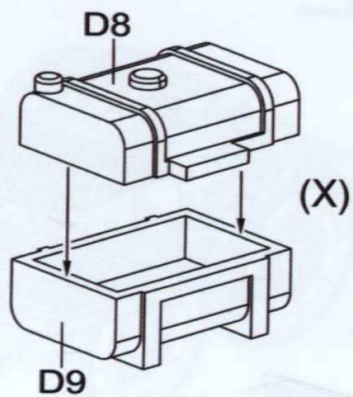
车体大梁附件组装
 车架大梁附件组装
 Attaching crossbeam detail part



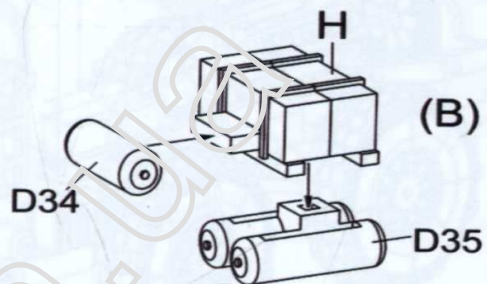
(L X 9)



(H)



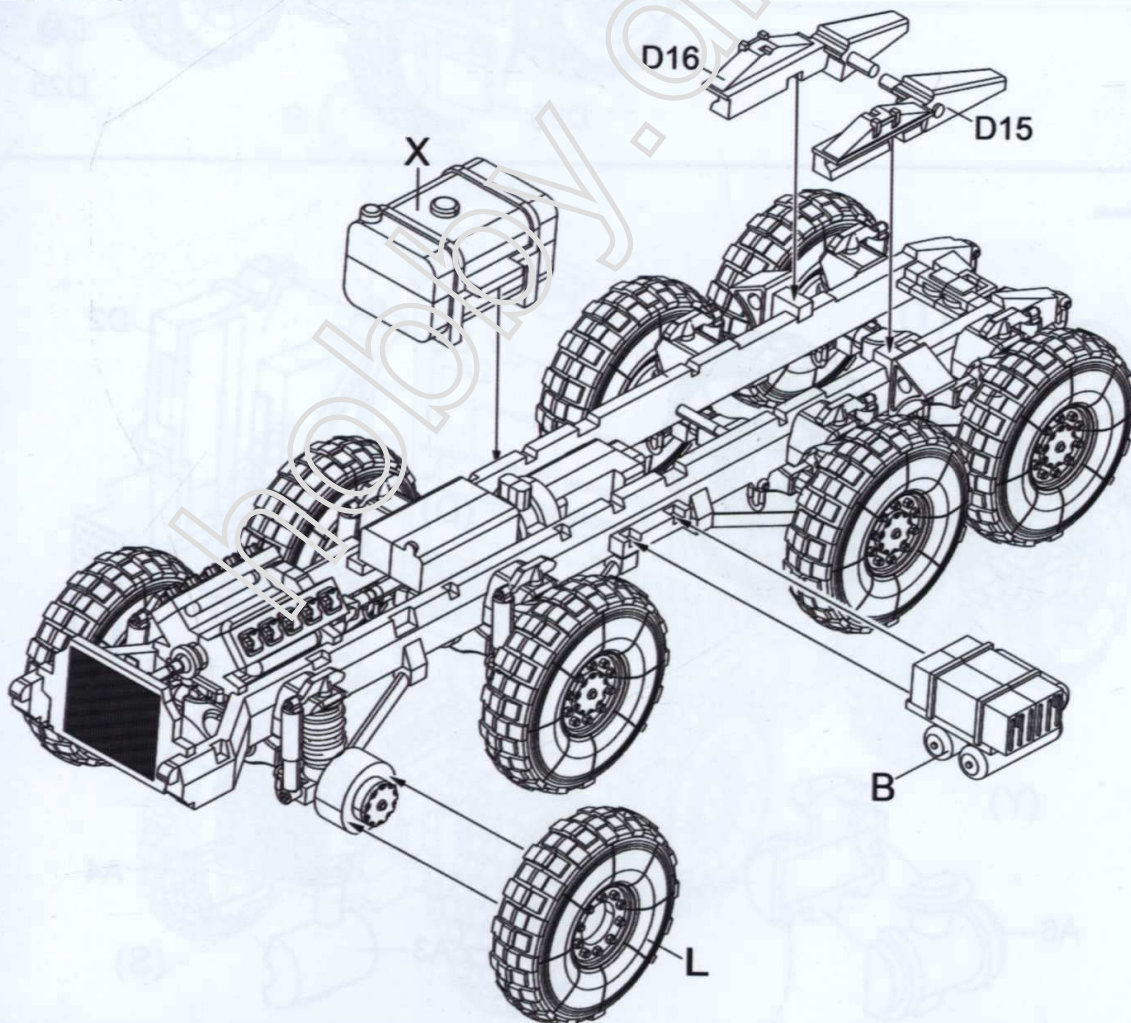
(X)

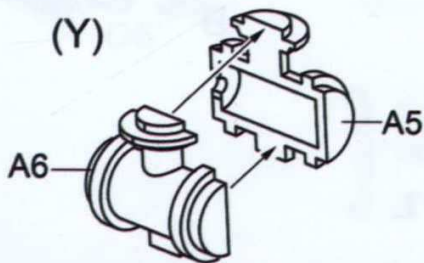
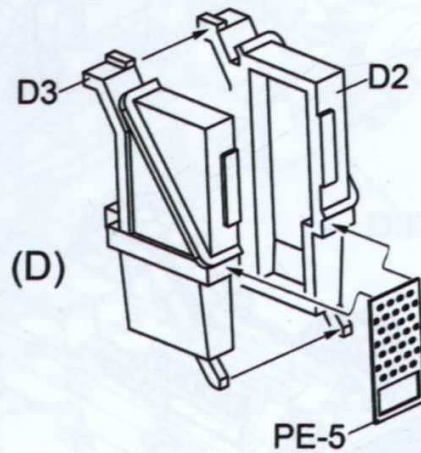
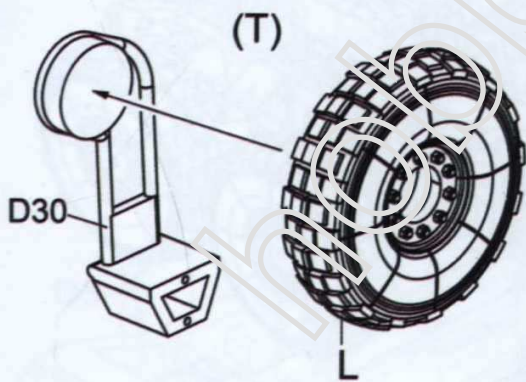
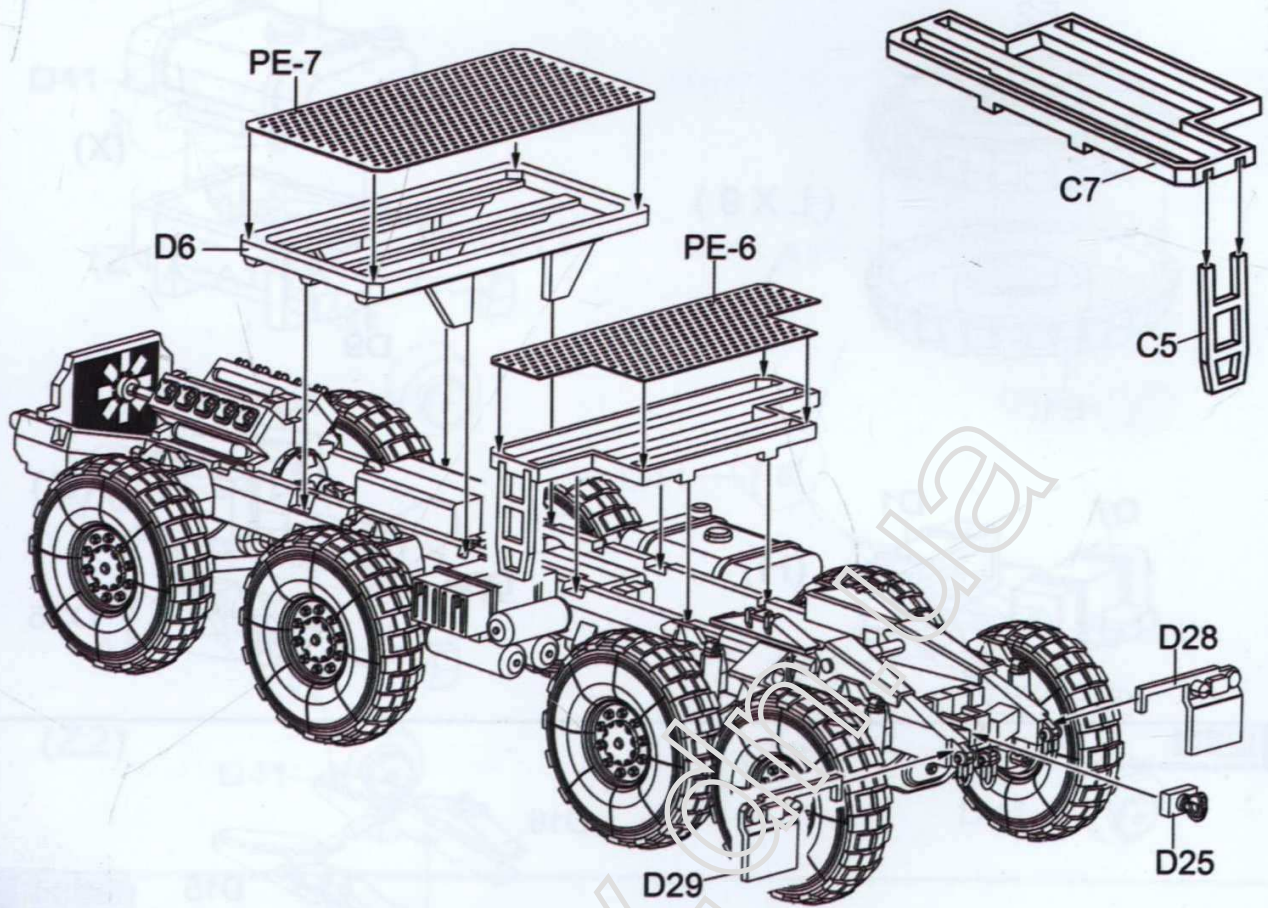


(B)

6

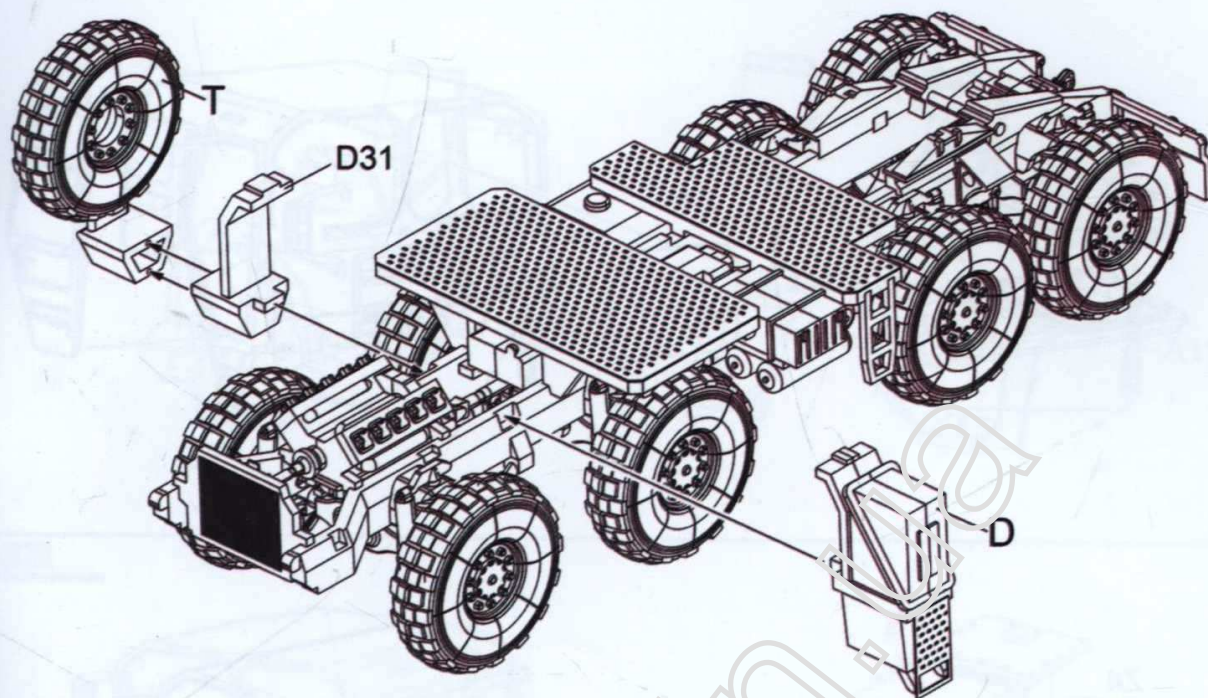
车体大梁附件组装
 车架大梁附件组装
 Attaching crossbeam detail part





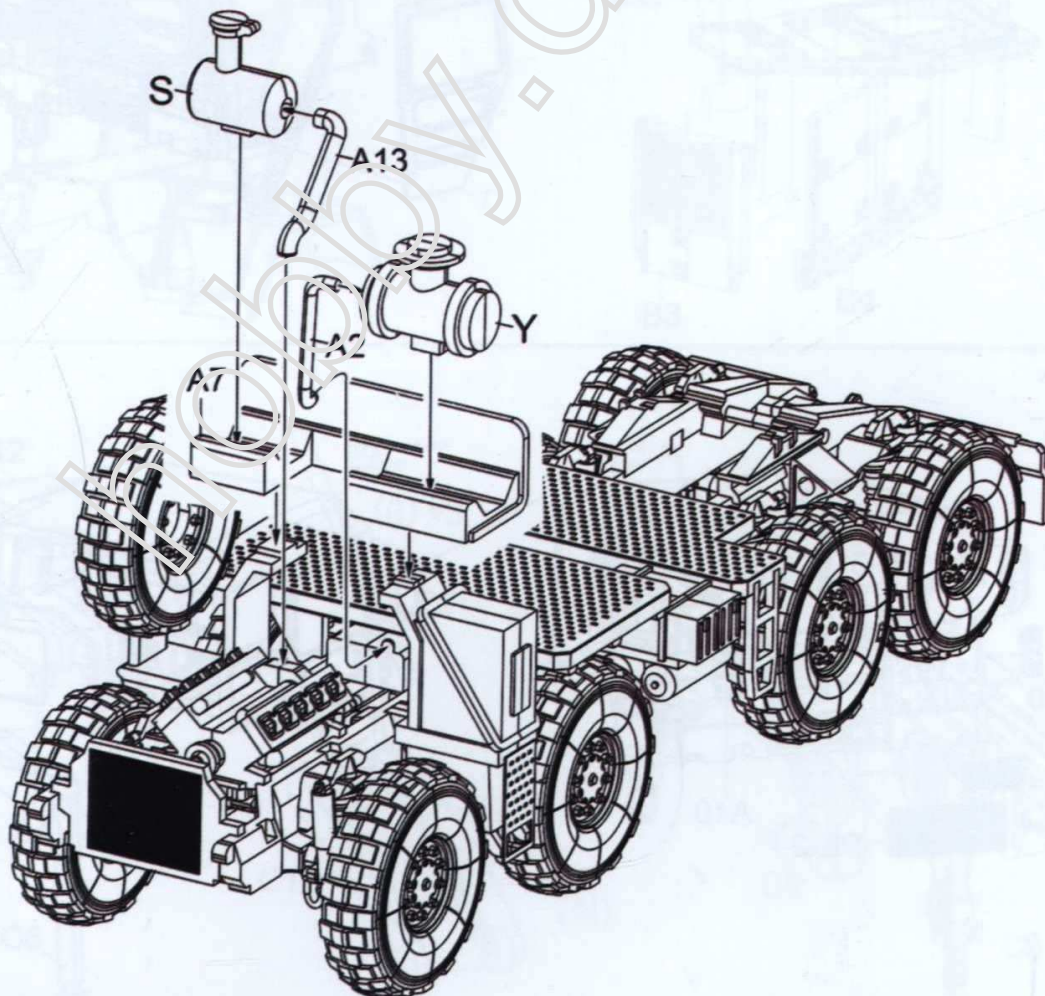
9

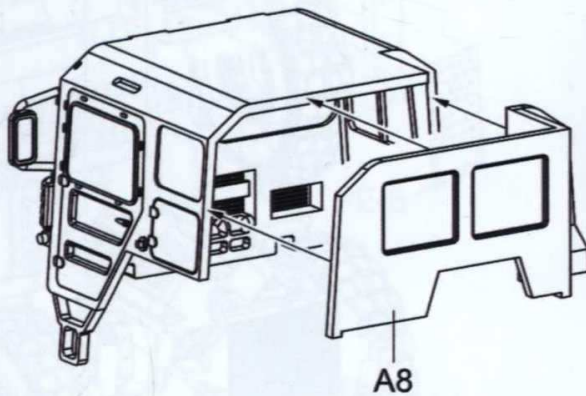
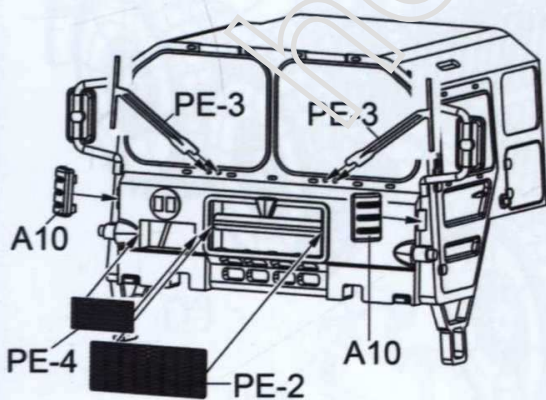
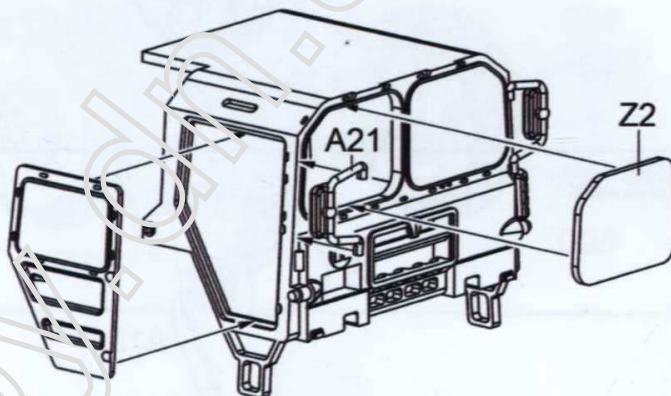
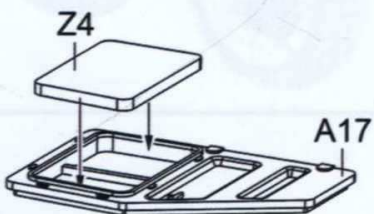
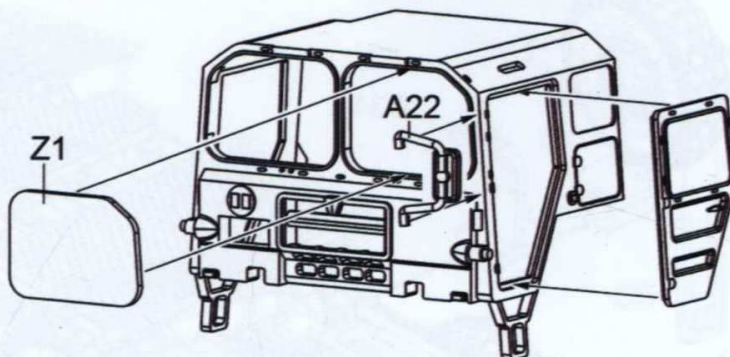
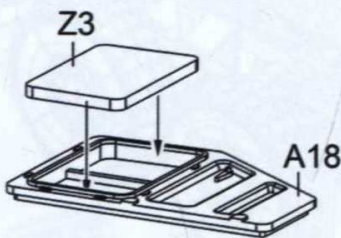
车体组装
車體組裝
Car body assembly



10

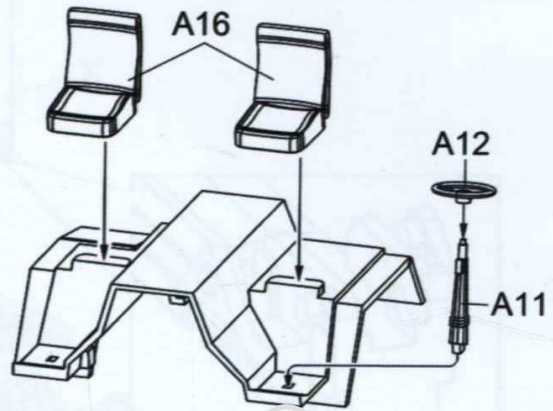
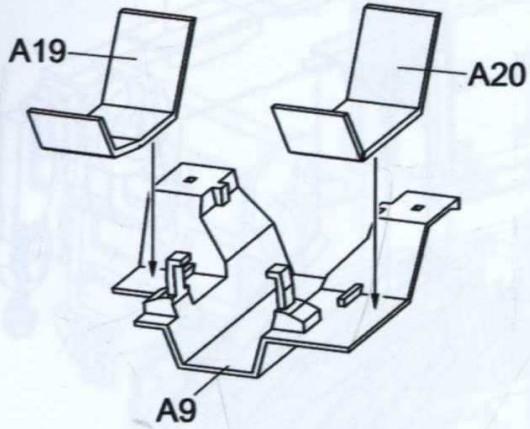
车体组装
車體組裝
Car body assembly





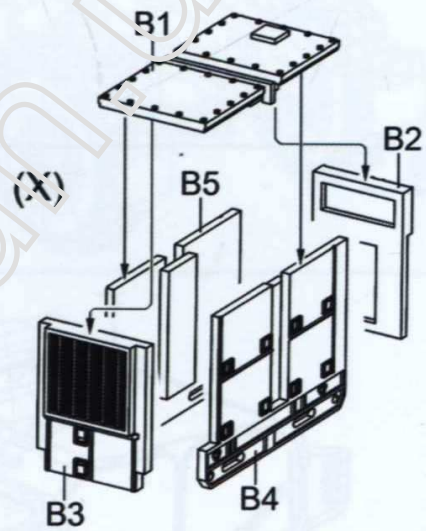
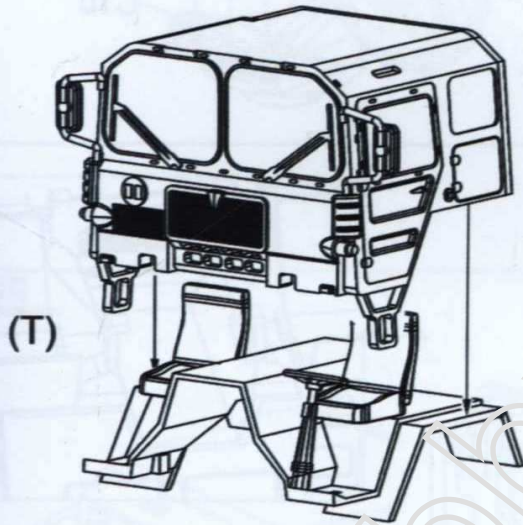
12

驾驶室安装
駕駛室安裝
Attaching drive cabin



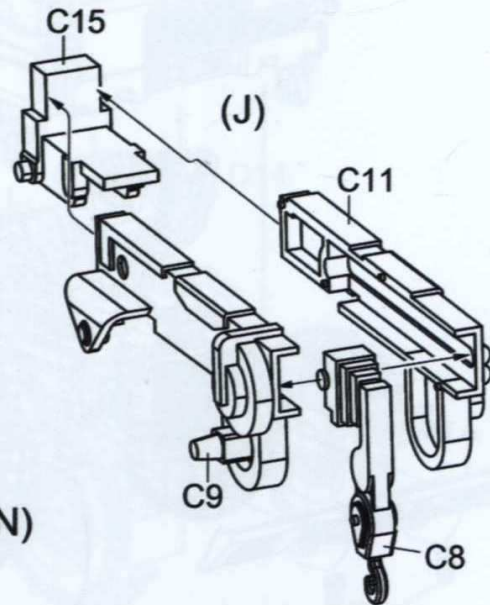
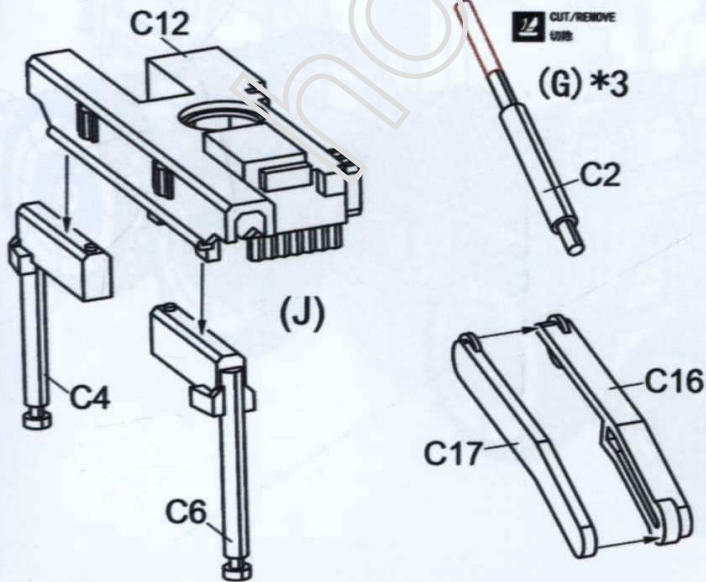
13

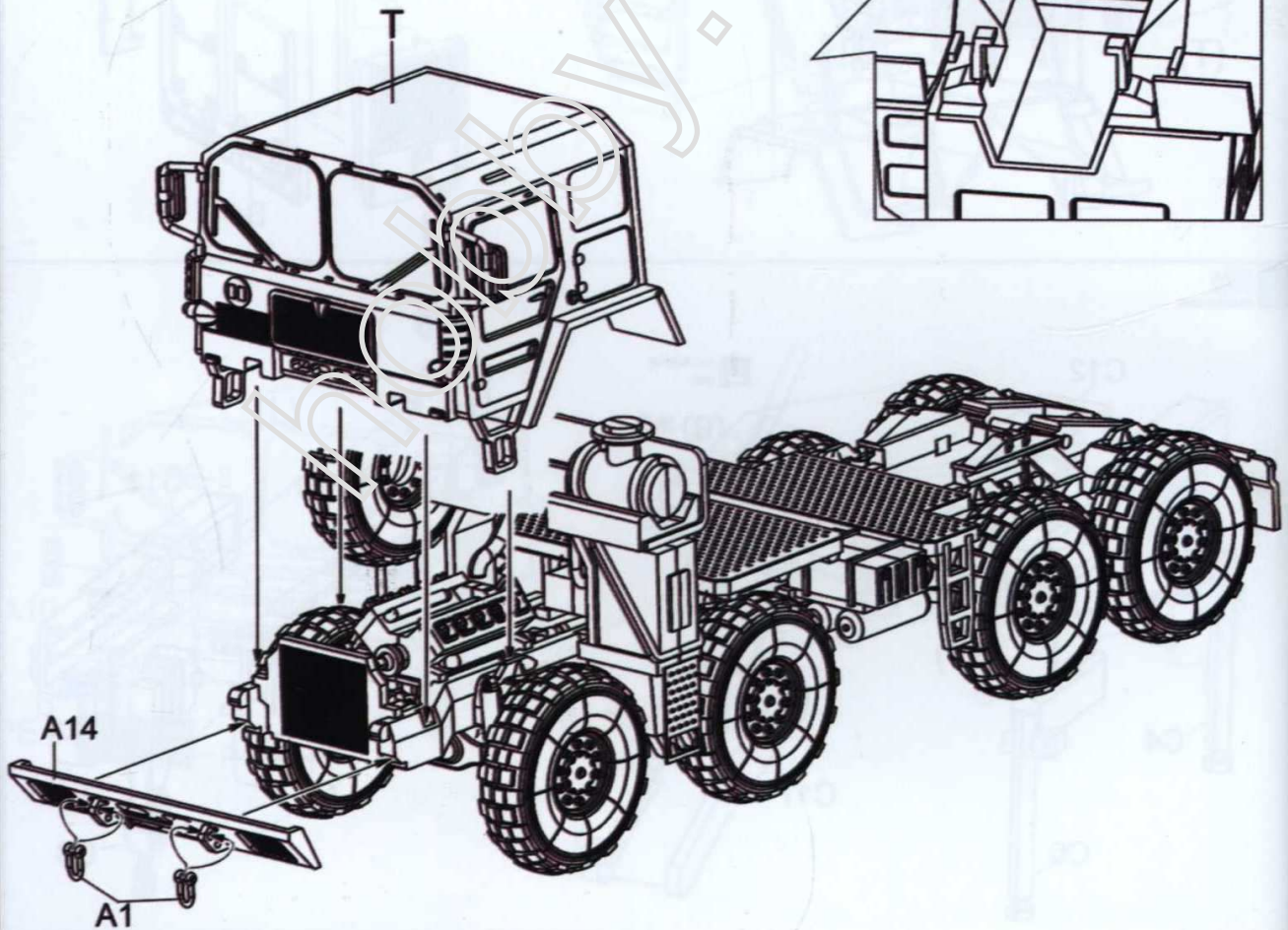
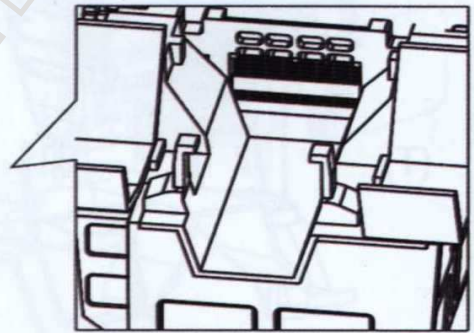
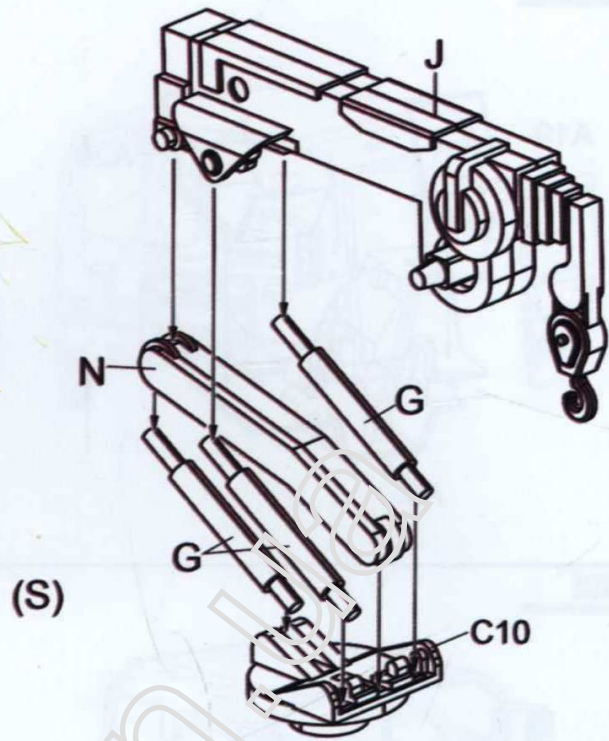
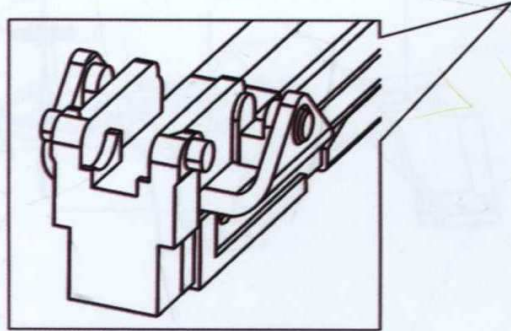
驾驶室安装
駕駛室安裝
Attaching drive cabin



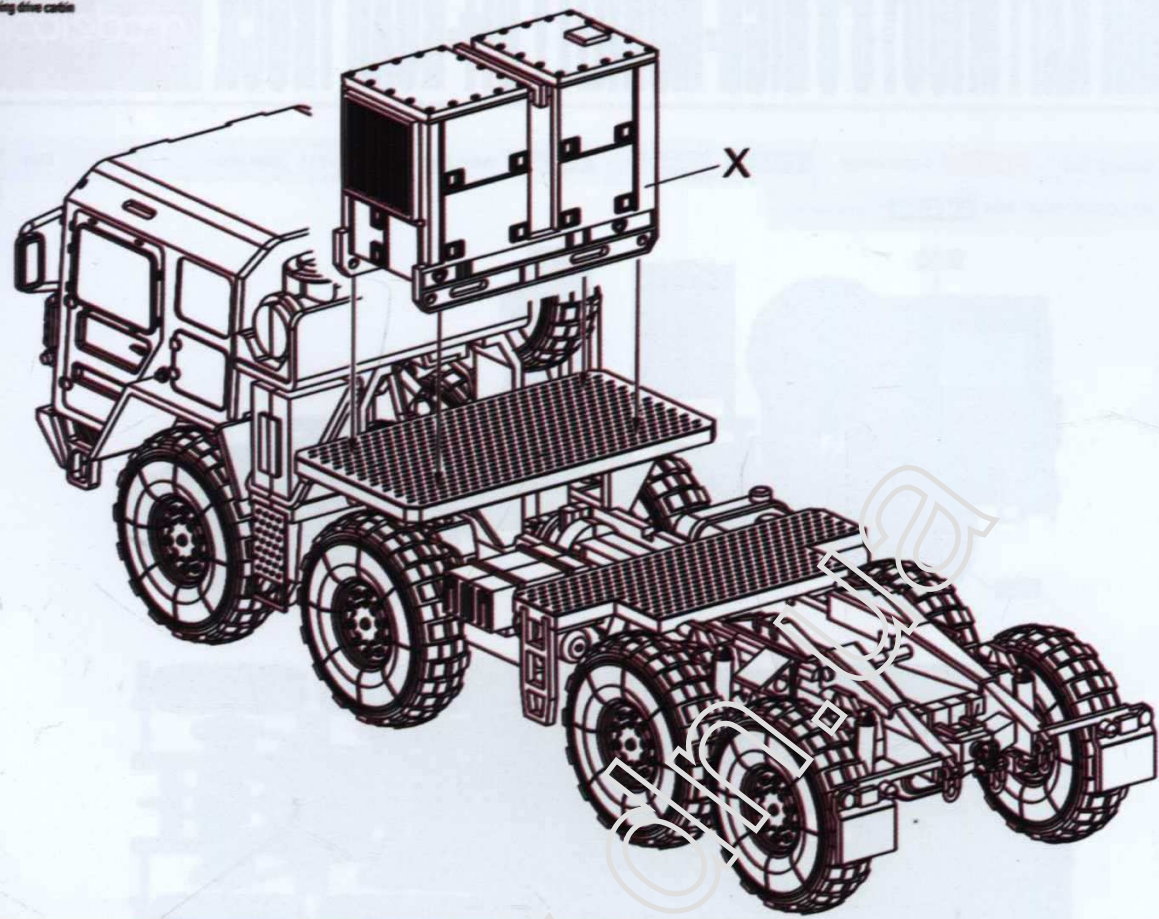
14

吊臂安装
吊臂安裝
Attaching crane

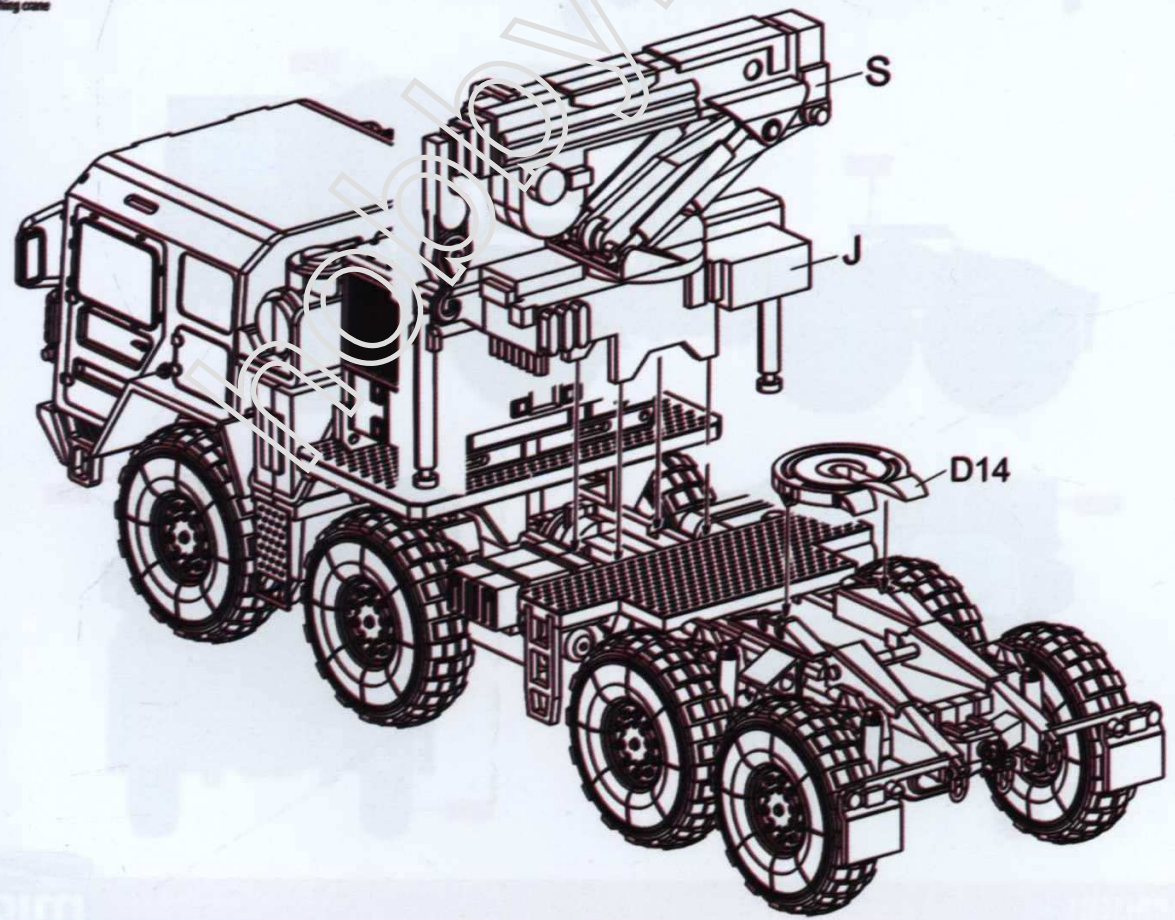




17 安装驾驶室
Attaching driver cabin



18 安装吊钩
Attaching crane



GERMAN KAT1 M1001 8*8 HIGH-MOBILITY OFF-ROAD TRUCK

modelcollect

A.MIG 033 Rubber & Tires

A.MIG 097 Crystal Orange

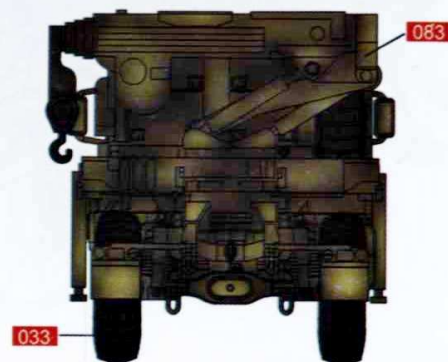
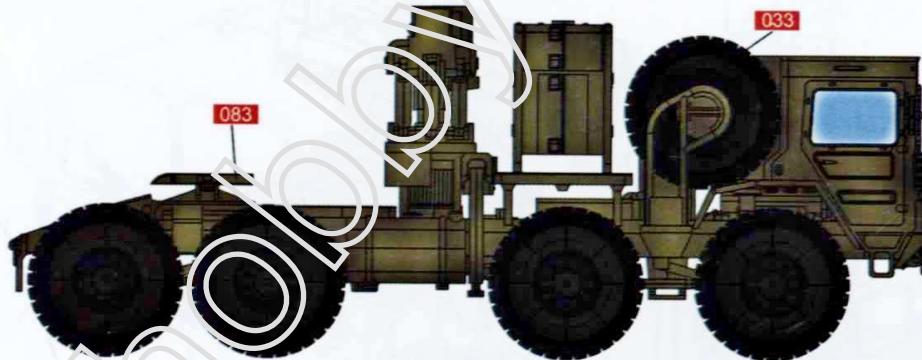
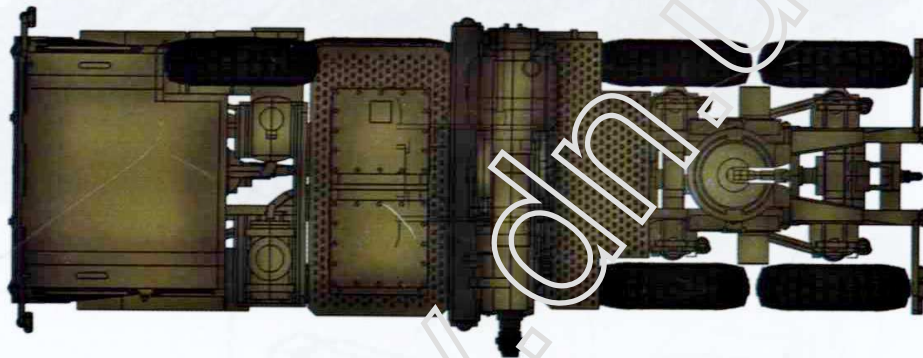
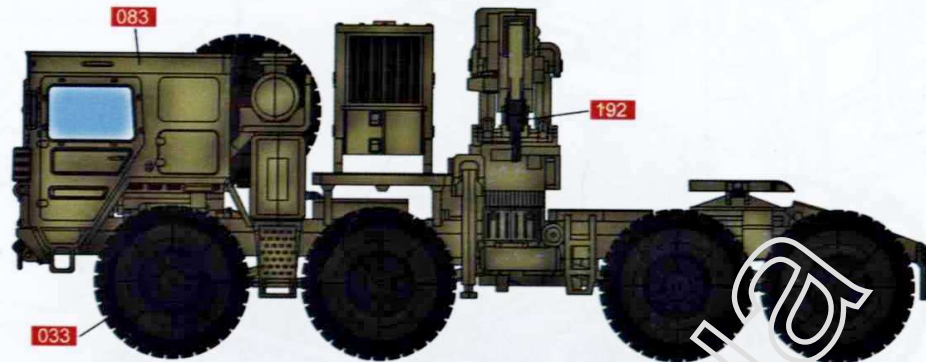
A.MIG 083 ZASHCHITNIY ZELENO

A.MIG 057 Yellow Grey

A.MIG 047 Satin White

A.MIG 0191 Steel

A.MIG 197 JET EXHAUST BURNT IRON A.MIG 192 POLISHED METAL



MODELCOLLECT

Color info and profiles by

