

modelcollect

# WWII GERMAN TANK TRANSPORT TRAINS



搜模閣

UA72158  
1:72  
SCALE

# WWII GERMAN TANK TRANSPORT TRAINS



ITEM NO: UA72158

● READ BEFORE ASSEMBLY

1. When you use glue or paint, do not near flame, and use in a well-ventilated room.
2. Take extra care in handling photo etch parts in order to avoid injury
3. When you take parts off the runner frame, use modeling scissors and trim excess plastic with a cutter or a file.
4. Glue and paint are not included.
5. This product is only suitable for experienced more than 14 years old.

● 装配之前仔细阅读：

1. 勿於近火处使用胶水或油漆，并 打开窗户保持空气流通。
2. 蚀刻片时应特别注意安全，防止利边划伤手指。
3. 从胶架中取出部件时，应用模型专用剪，并用剪刀或小锉除去多余的胶料。
4. 请使用塑料胶水和油漆，模型内不含。
5. 本产品不适合14岁以下没有经验的模型爱好者。

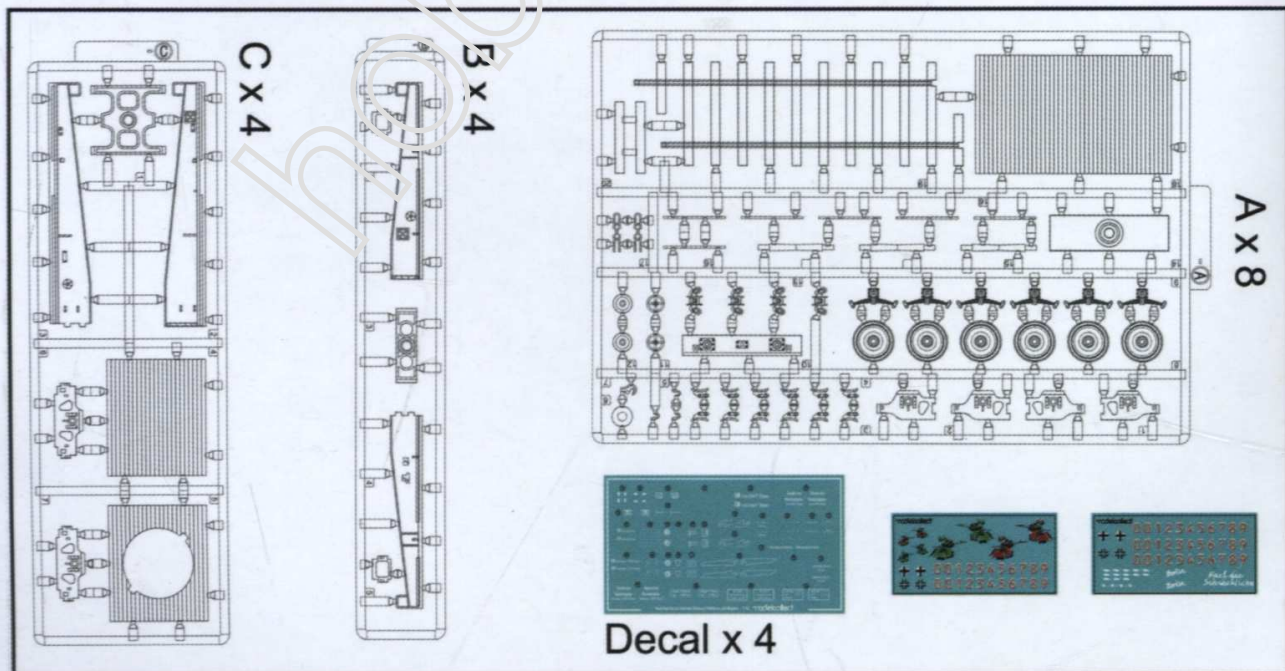
- |                  |              |                 |                  |            |                 |                |                   |             |
|------------------|--------------|-----------------|------------------|------------|-----------------|----------------|-------------------|-------------|
| SUPERGLUE<br>强力胶 | WEIGHT<br>配重 | MAKE HOLE<br>钻孔 | CUT/REMOVE<br>切除 | BEND<br>弯曲 | FILE/SAND<br>锉平 | ? OPTION<br>选择 | NO CEMENT<br>不涂胶水 | DECAL<br>贴纸 |
|------------------|--------------|-----------------|------------------|------------|-----------------|----------------|-------------------|-------------|

DECAL APPLICATION

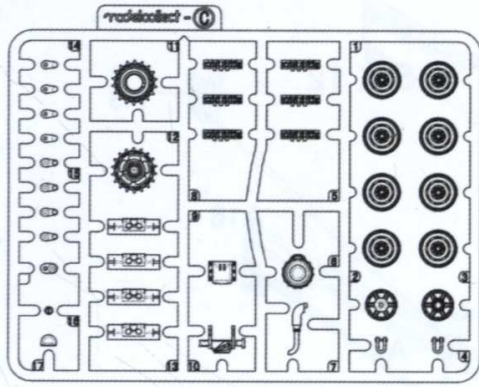
1. Cut off decal from sheet.
2. Dip the decal in tepid water 40° C for about 10 sec and place on a clean cloth.
3. Hold the backing sheet edge and slide decal onto the model.
4. Move decal into position by wetting decal with finger.
5. Press decal gently down with a soft cloth until excess water and air bubbles are gone.

水贴纸的使用：

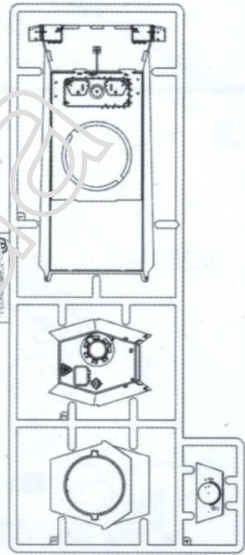
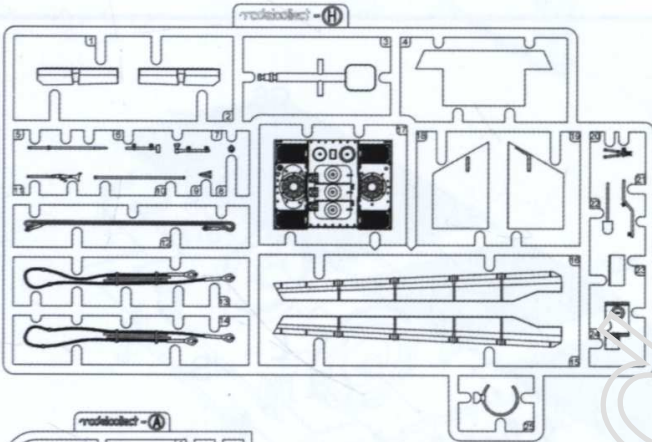
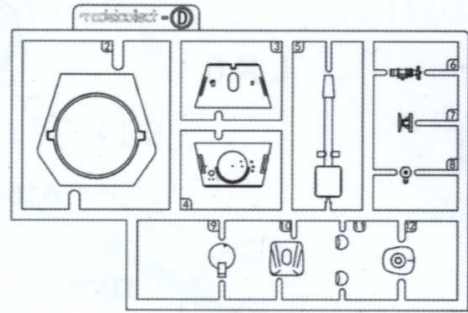
1. 从水贴纸上剪下印花。
2. 将印花放入温水中浸10秒，然后放在干净布上。
3. 拿着印花纸板将印花移到模型上。
4. 手指蘸水将印花移到适当的位置。
5. 用软布轻压印花直至不干，汽泡消失。



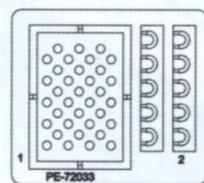
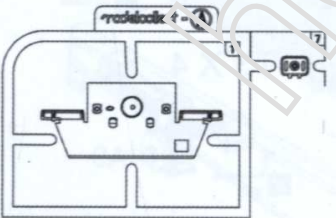
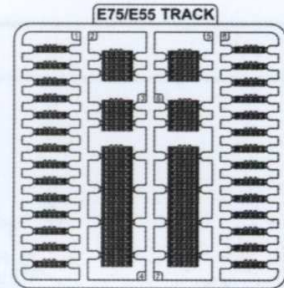
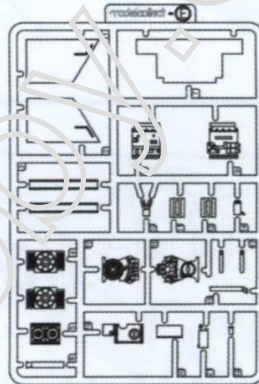
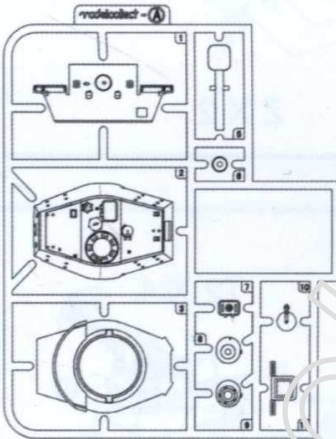




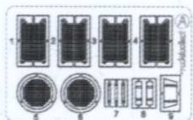
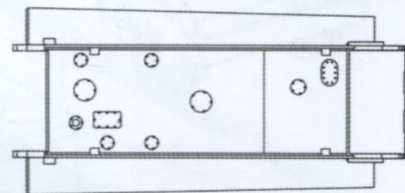
C x 4



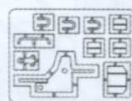
Track x 4



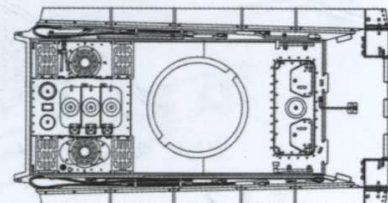
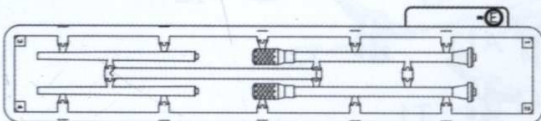
Lower hull x 2



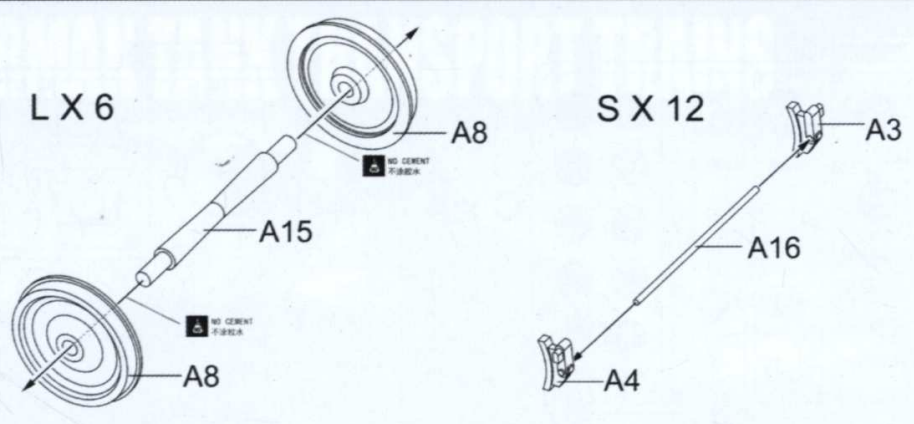
PE x 2



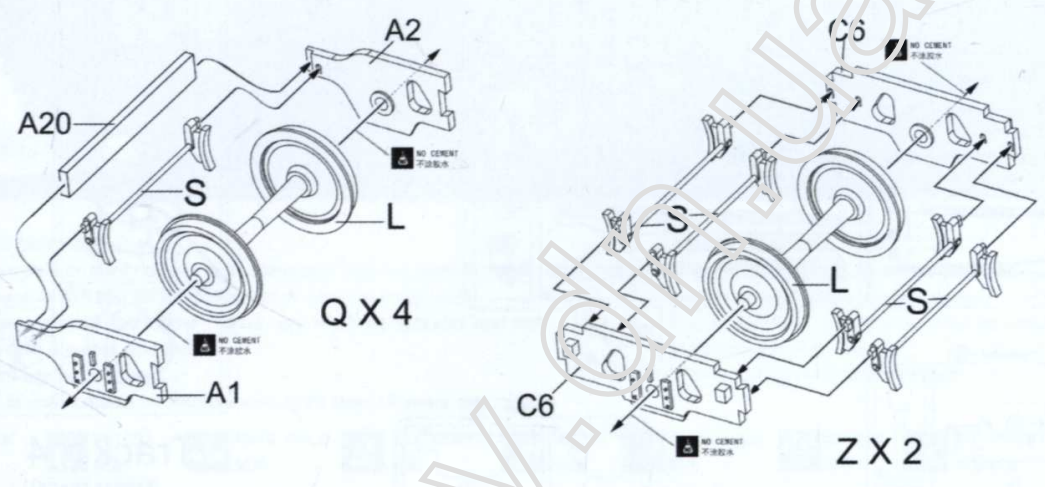
PE



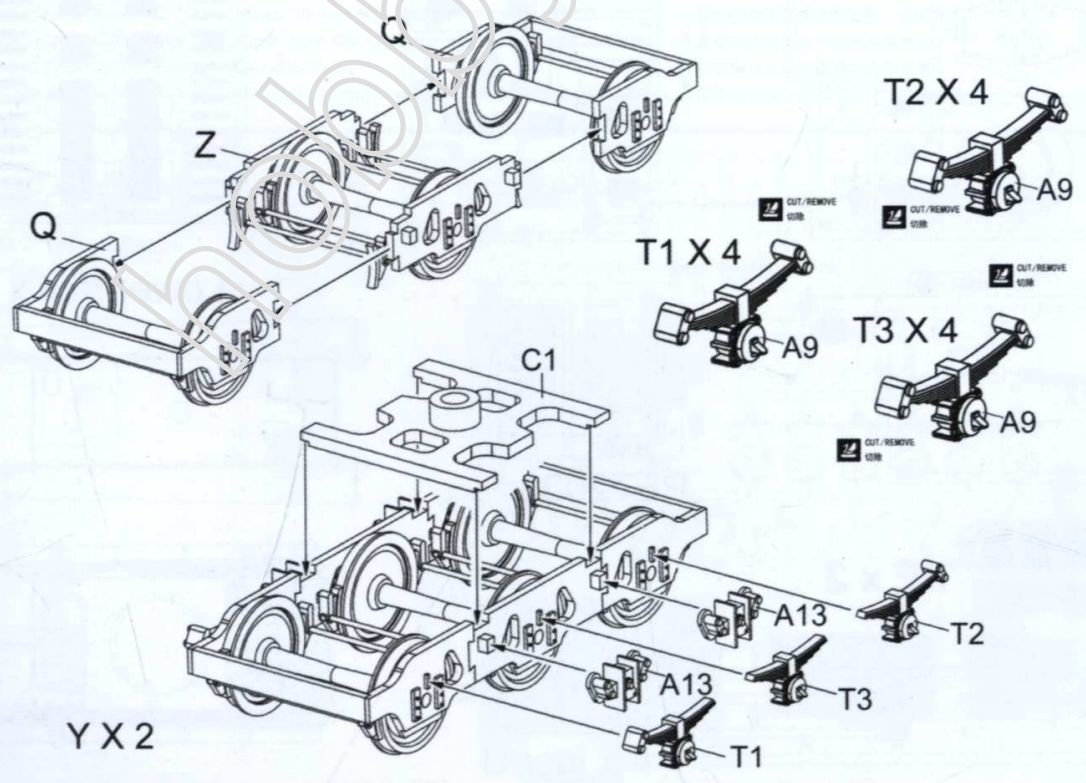
1



2

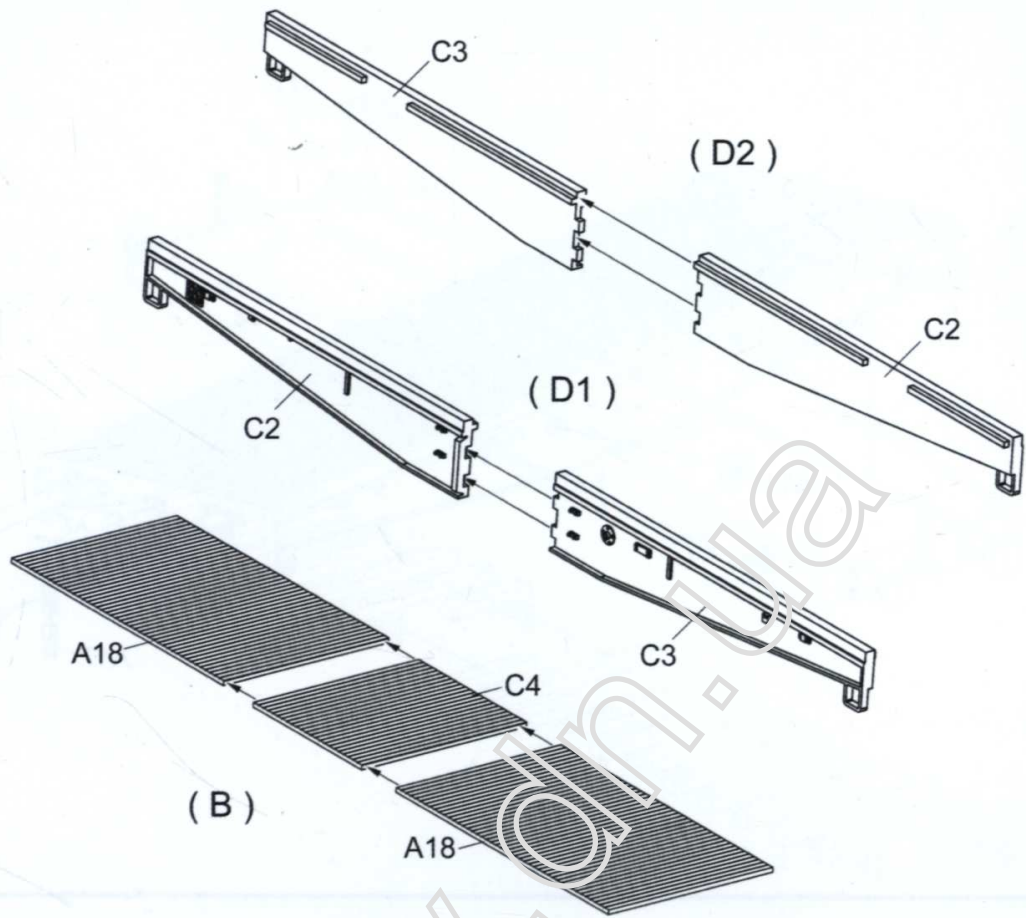


3

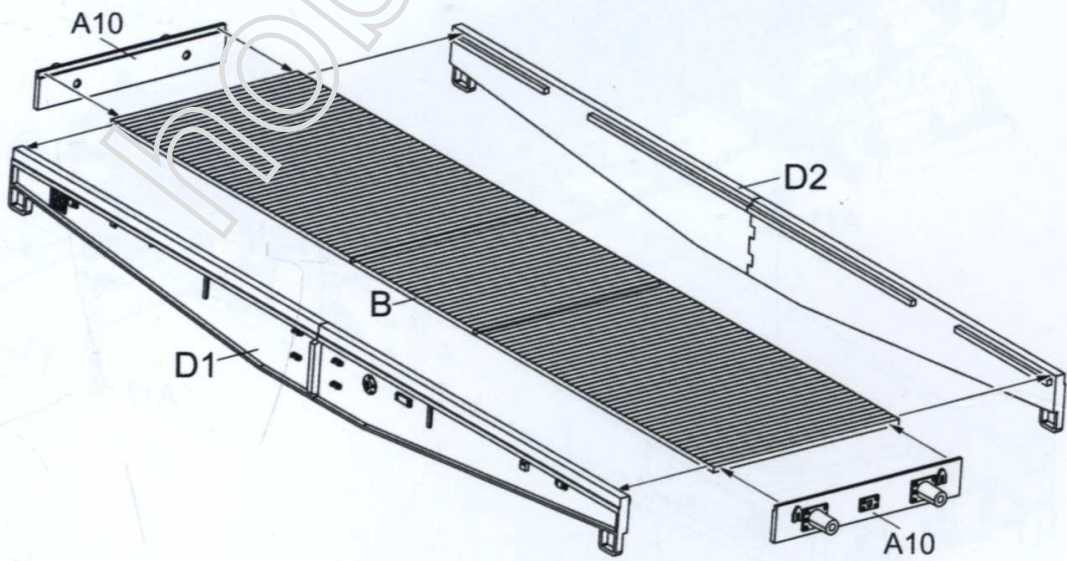




4

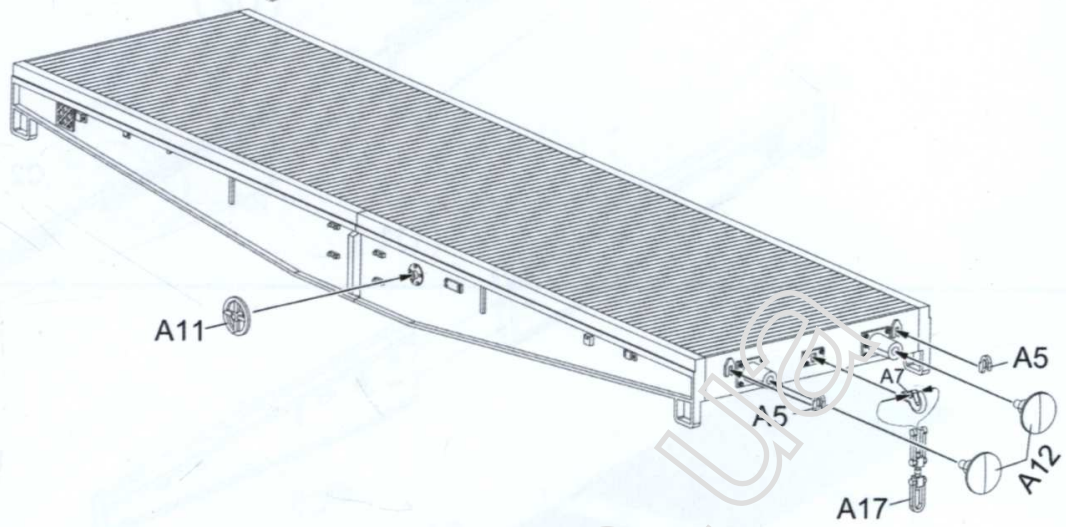


5

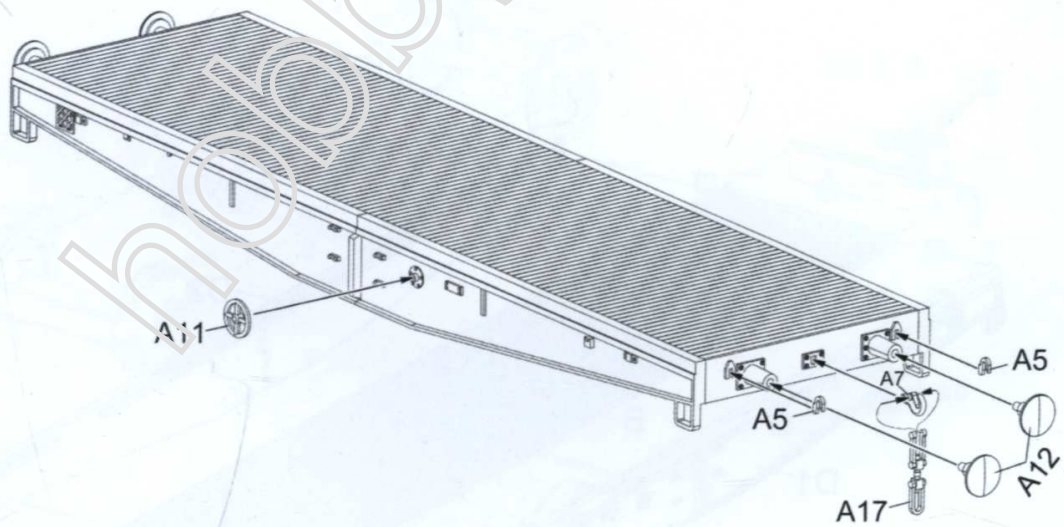


4

6

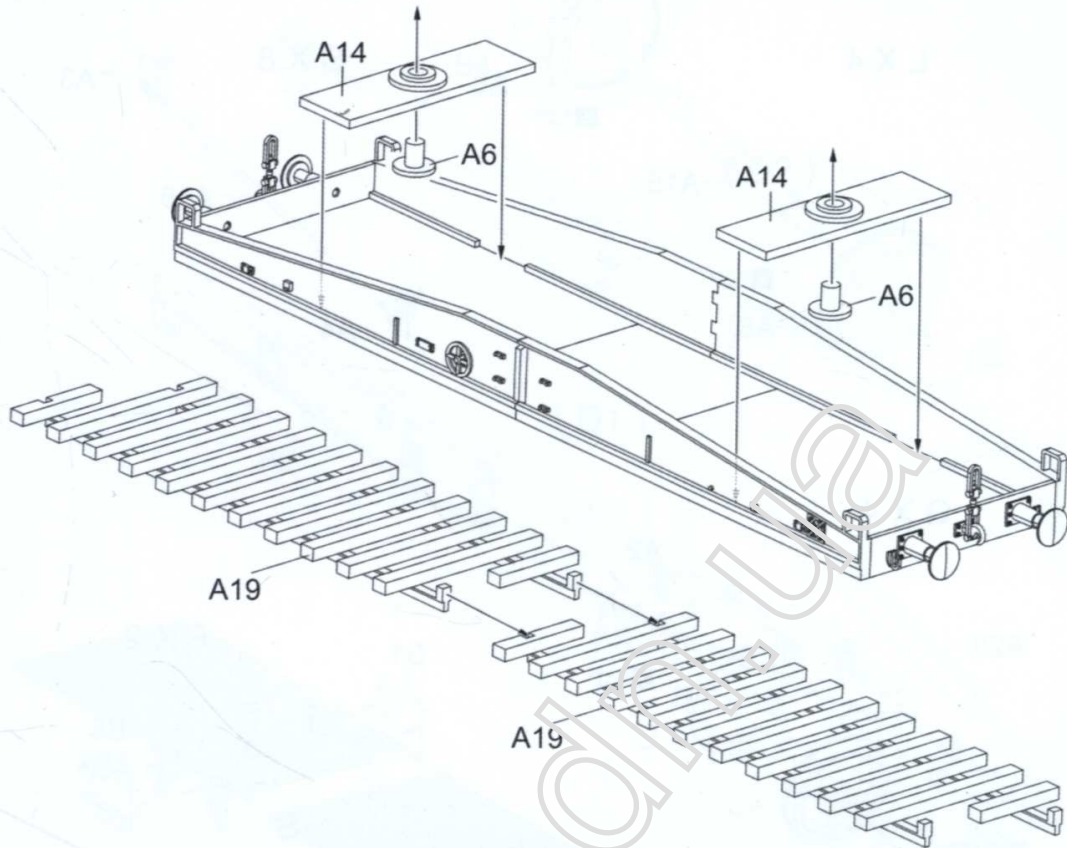


7

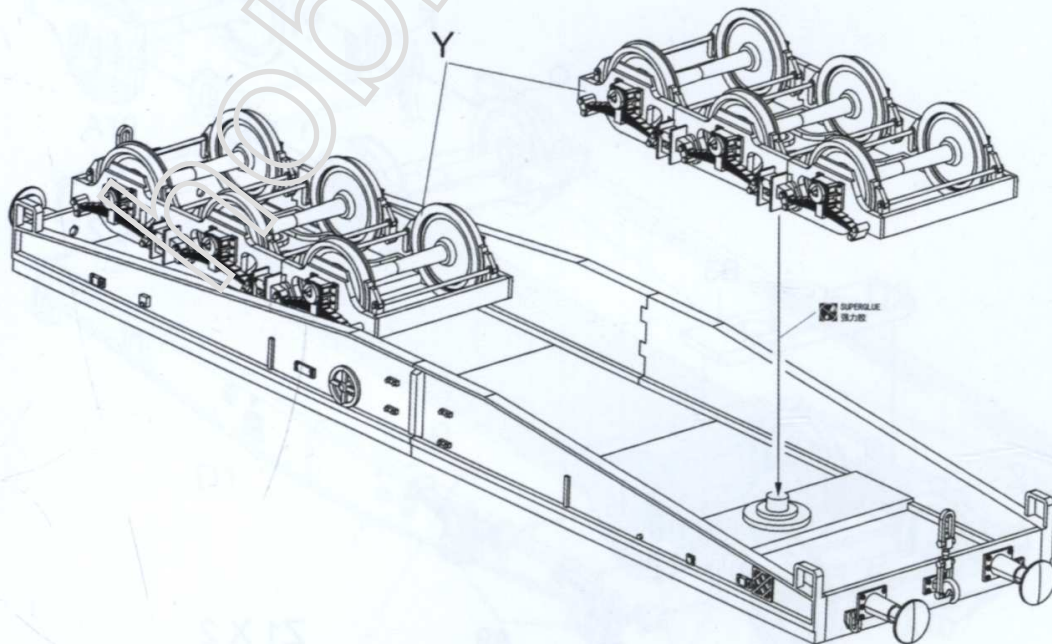


5

8



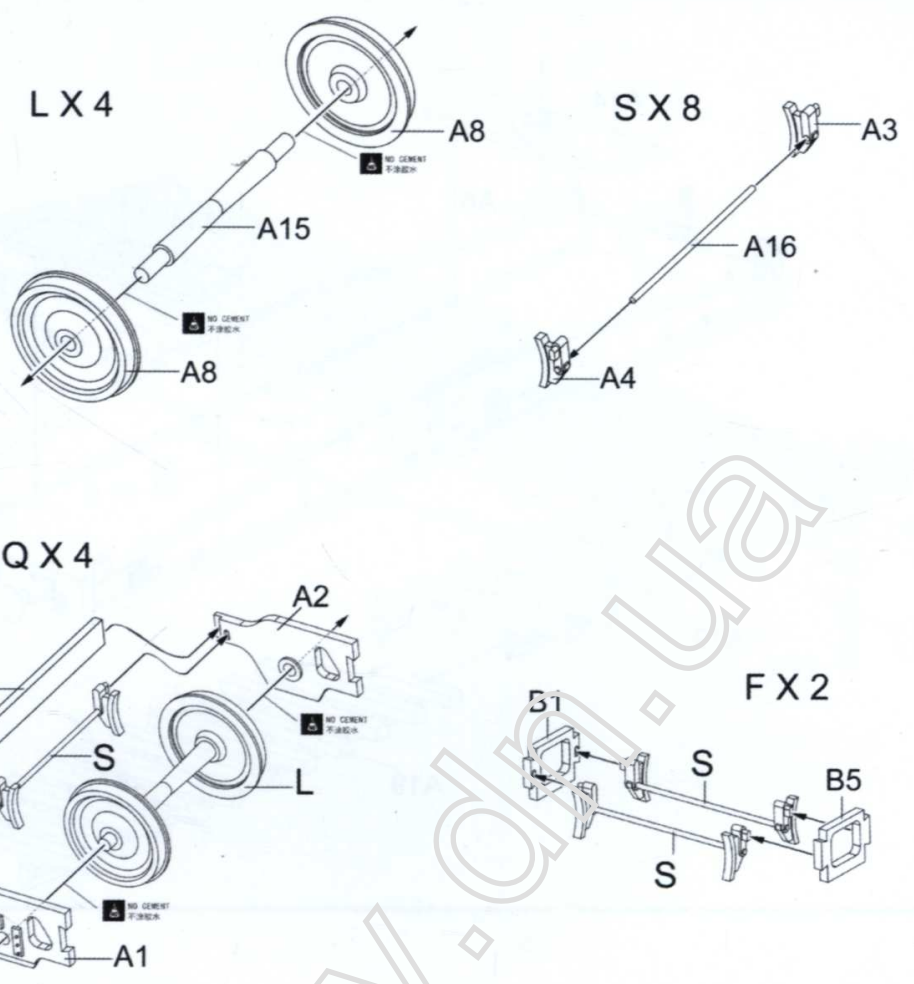
9



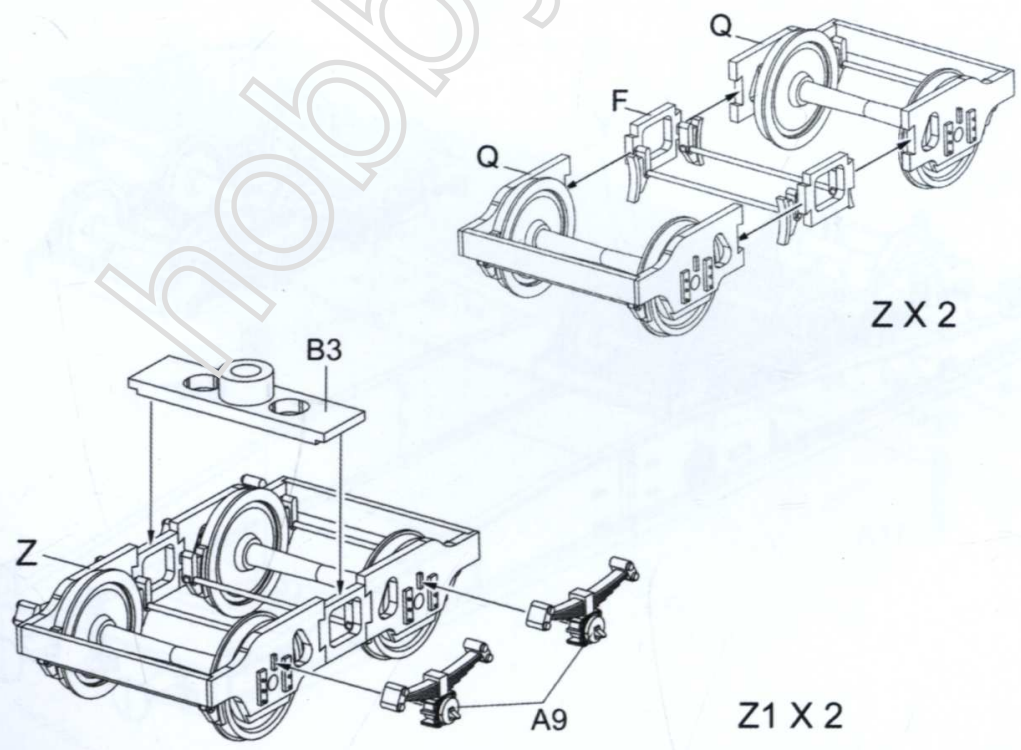
6



1



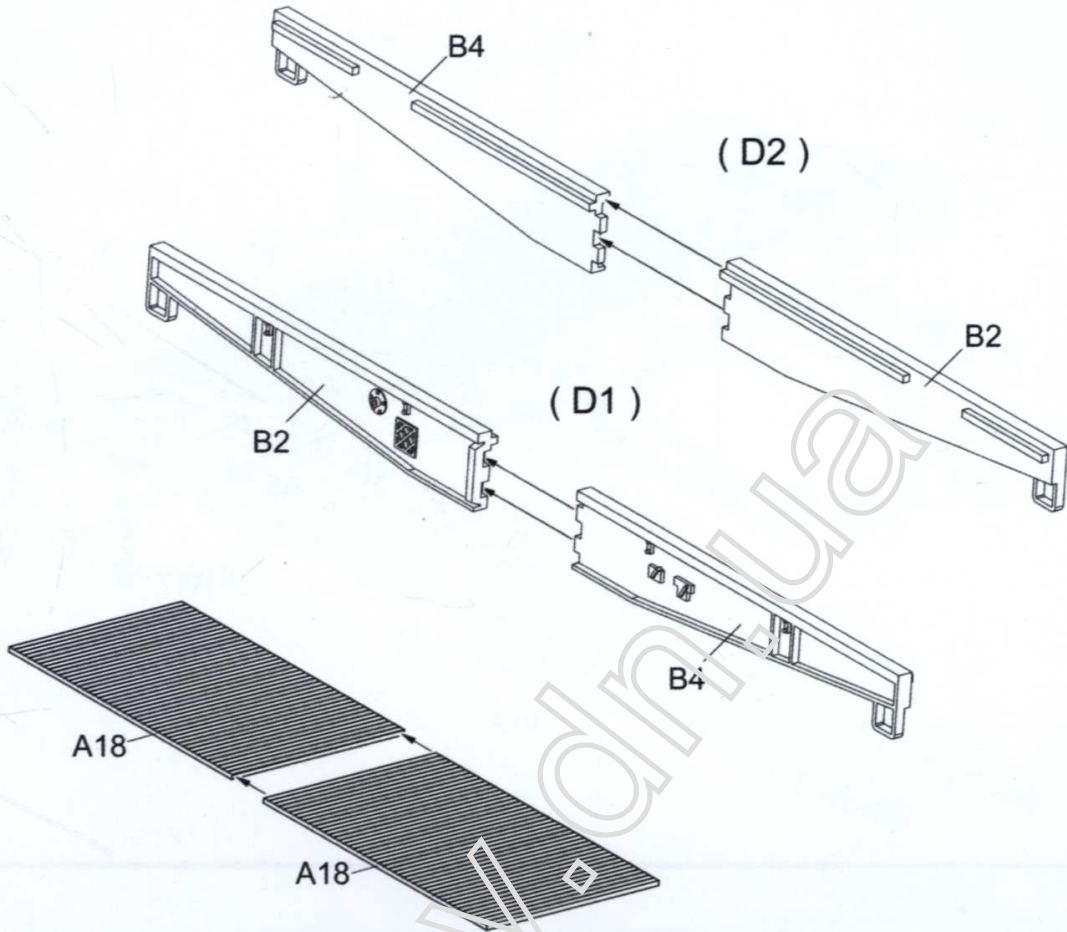
2



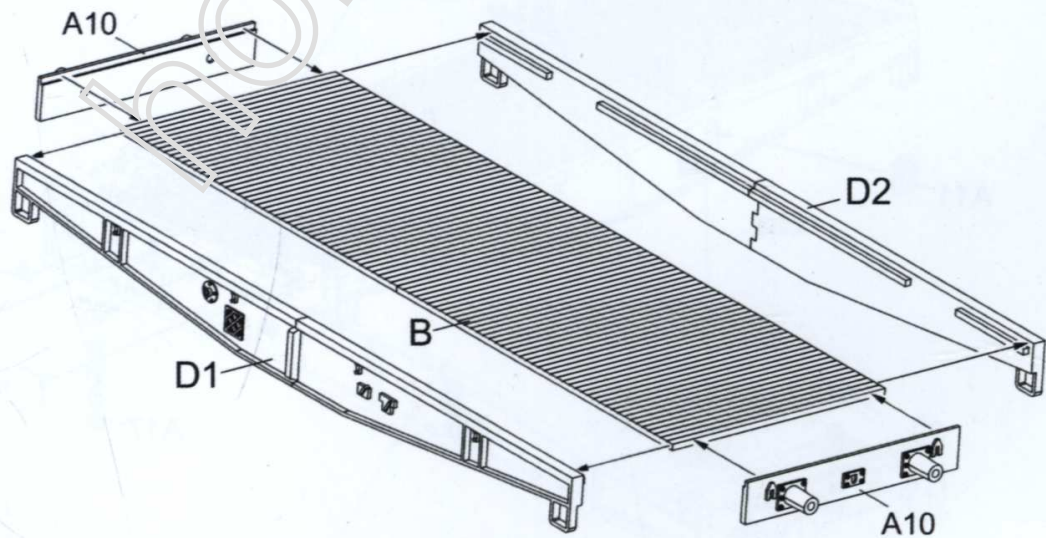
7



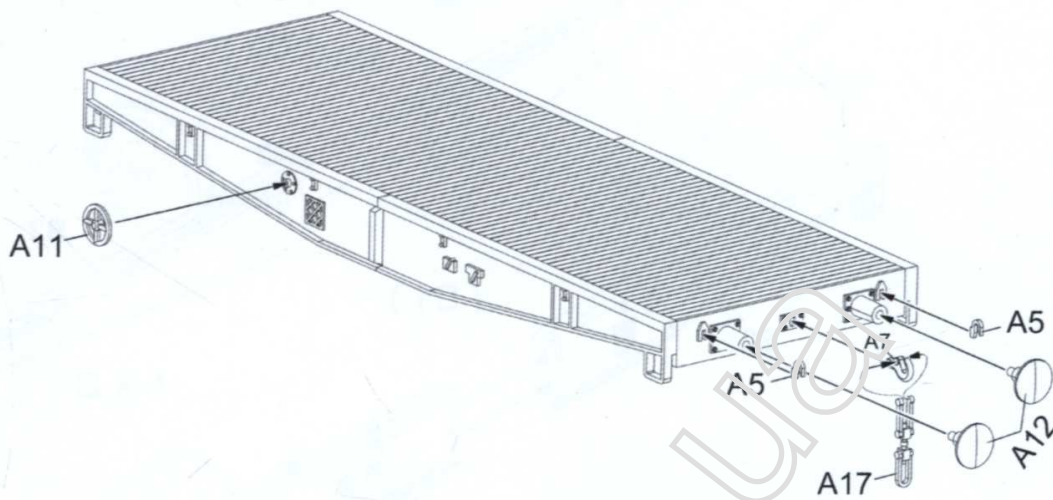
3



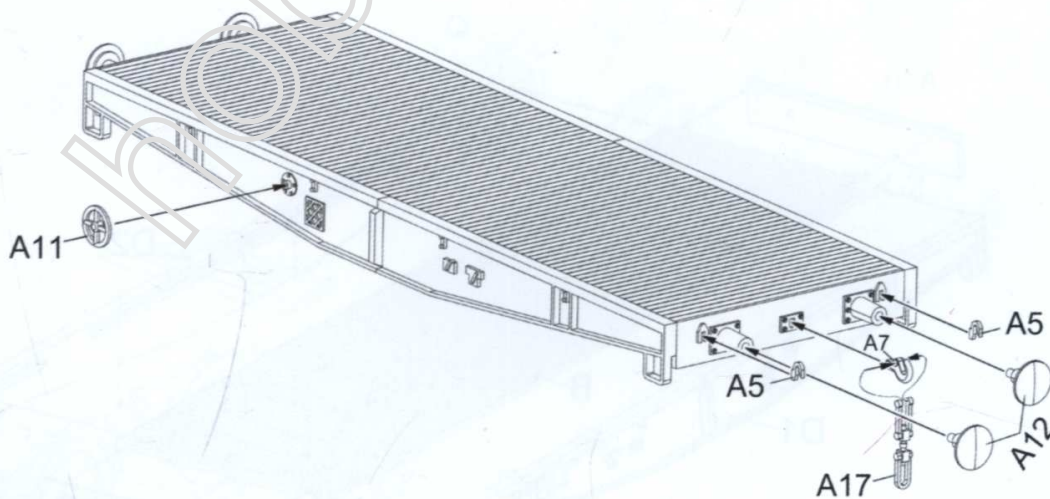
4



5



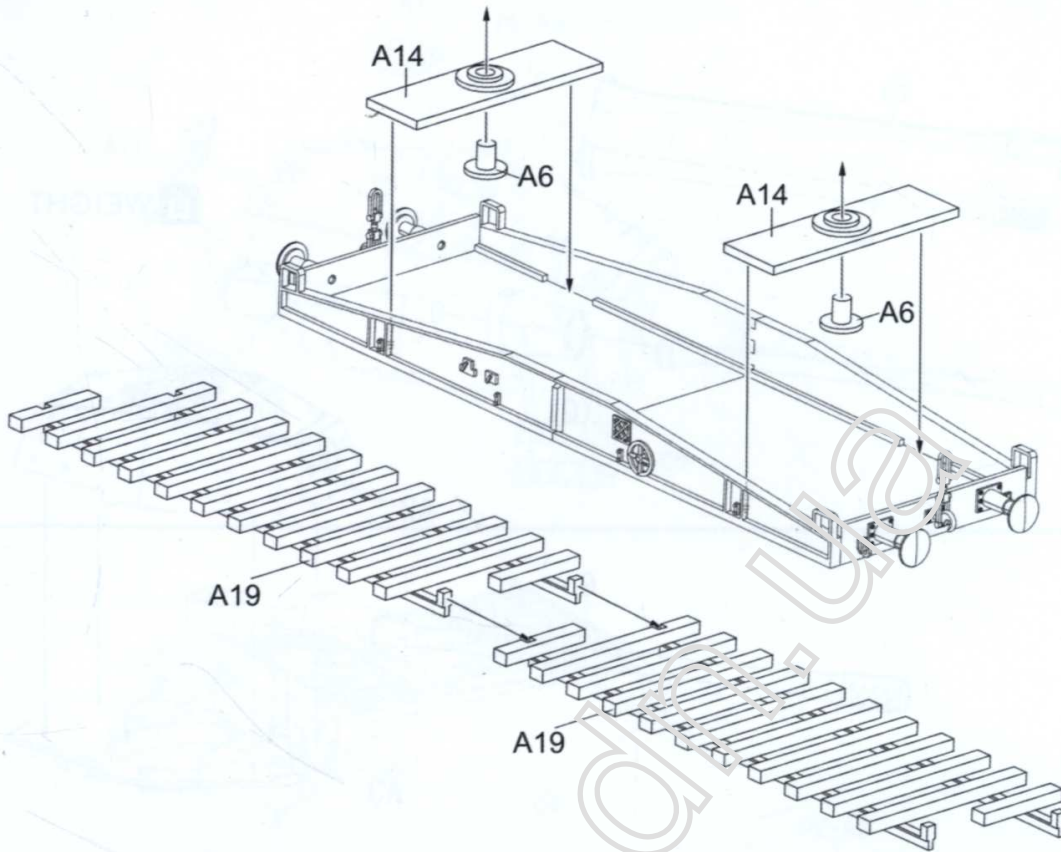
6



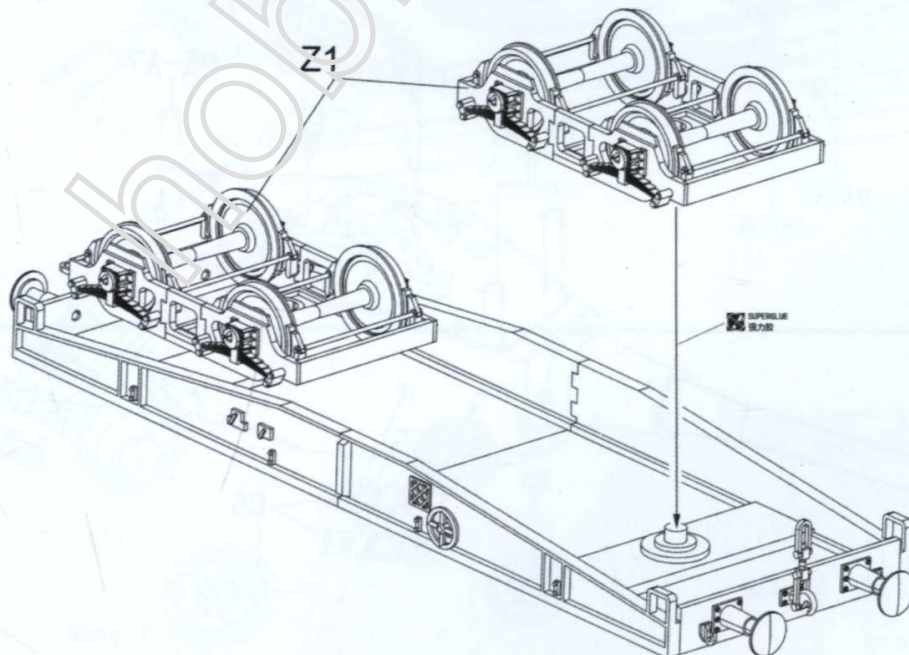
9



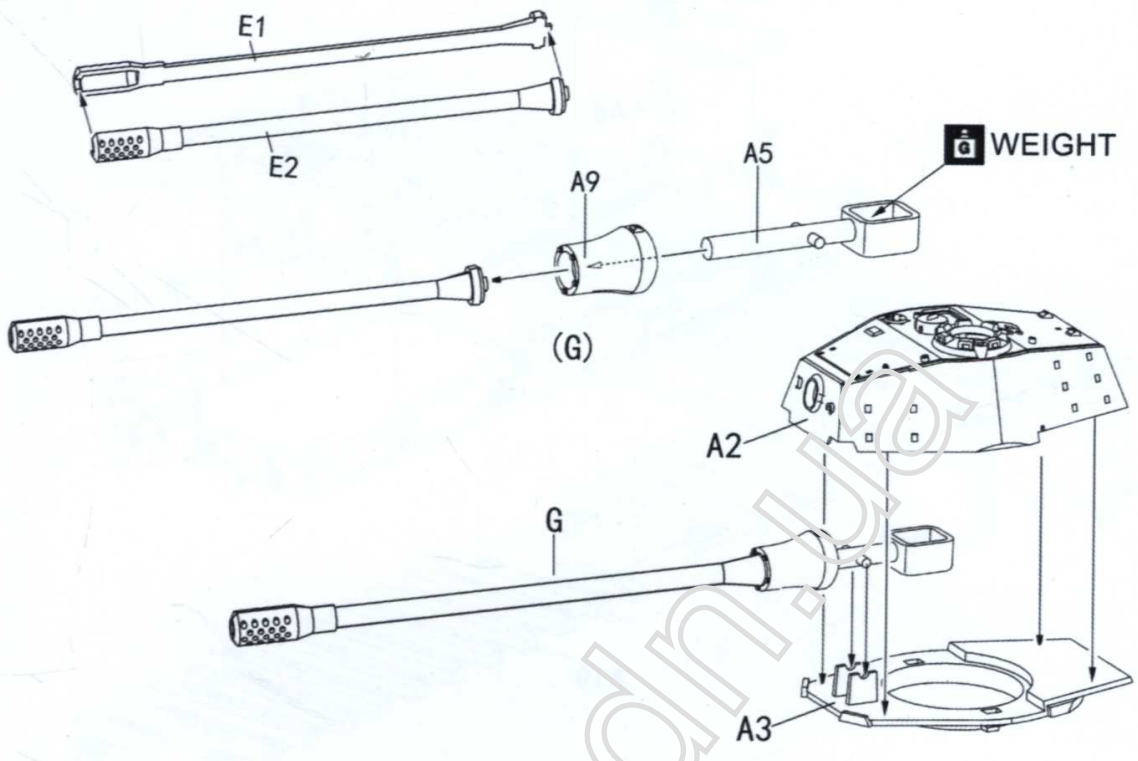
7



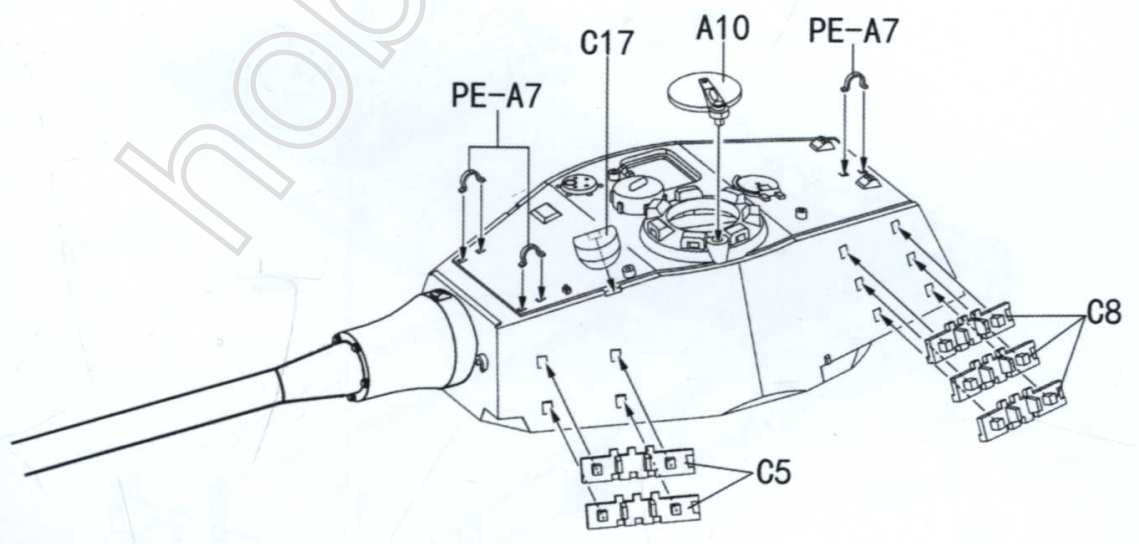
8



1

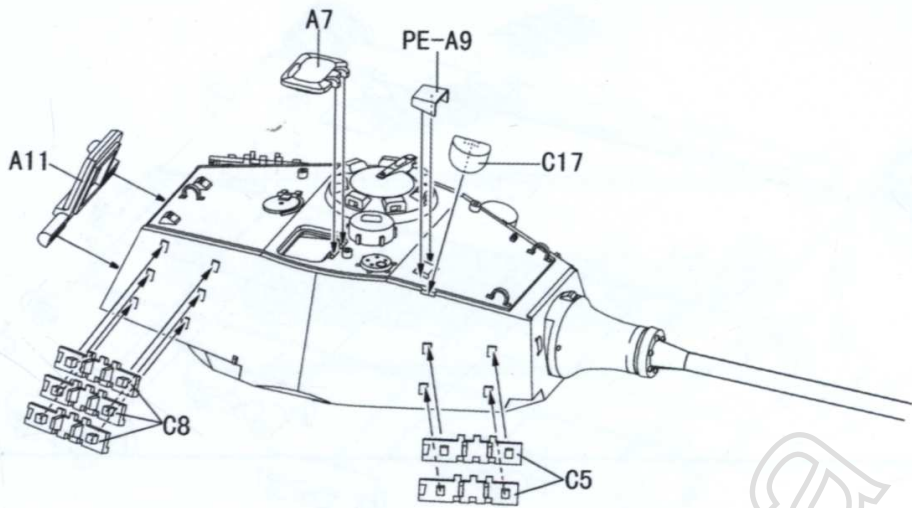


2

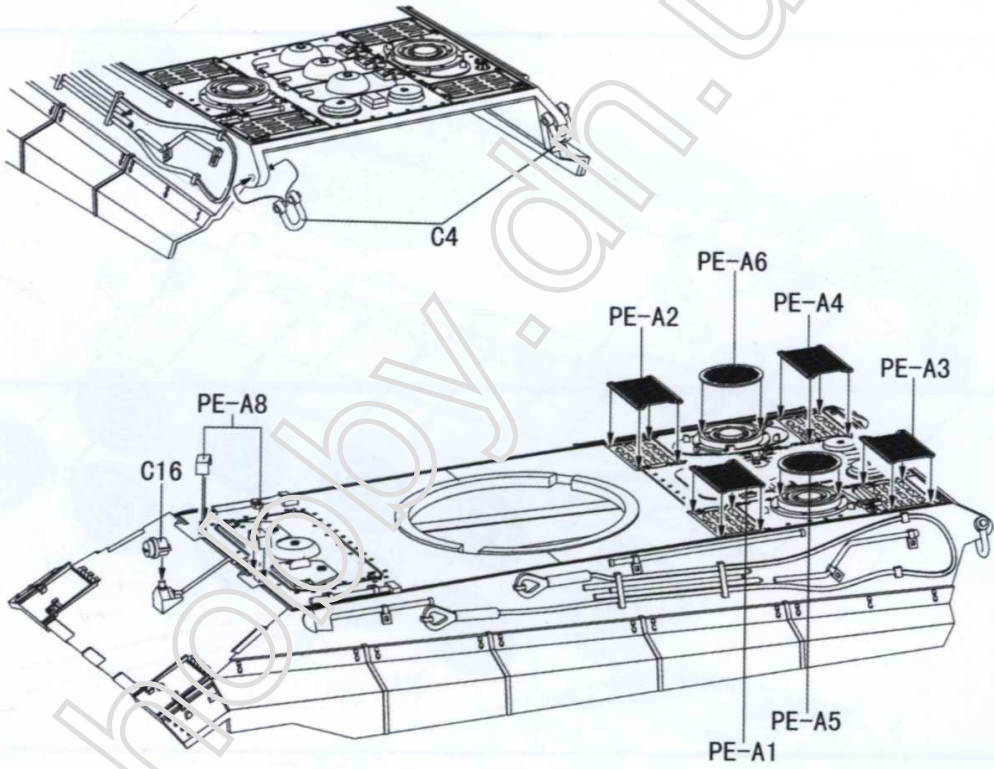




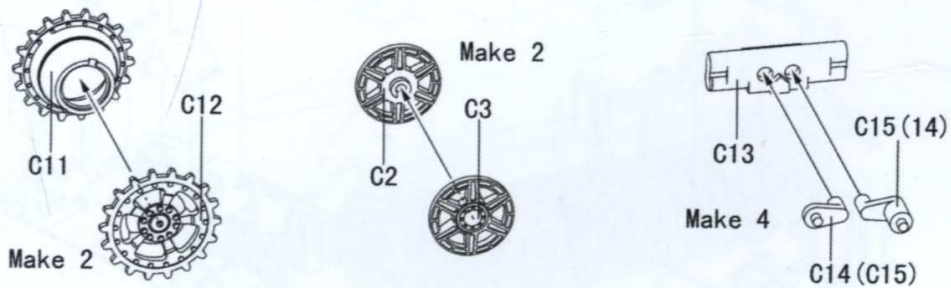
3



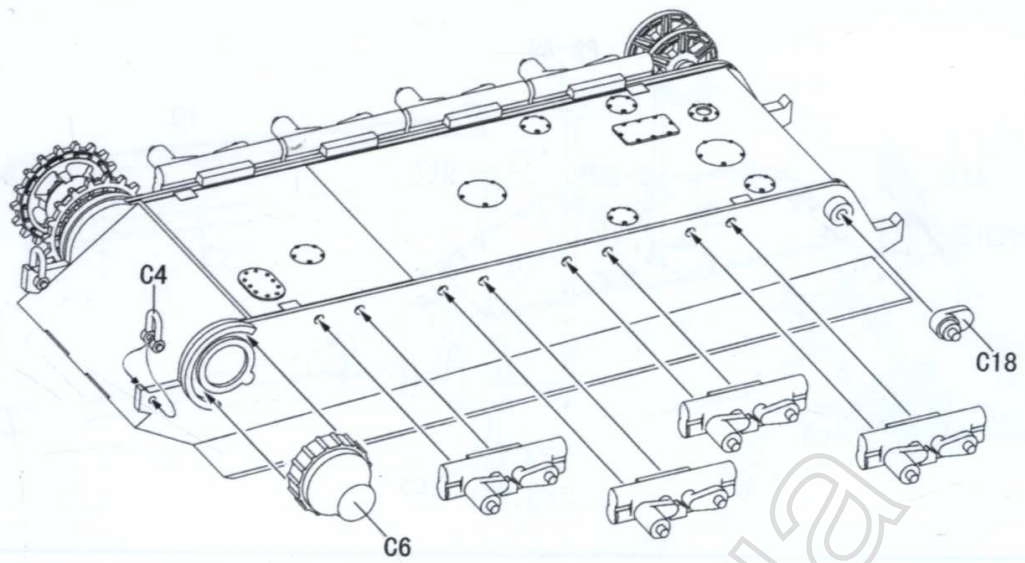
4



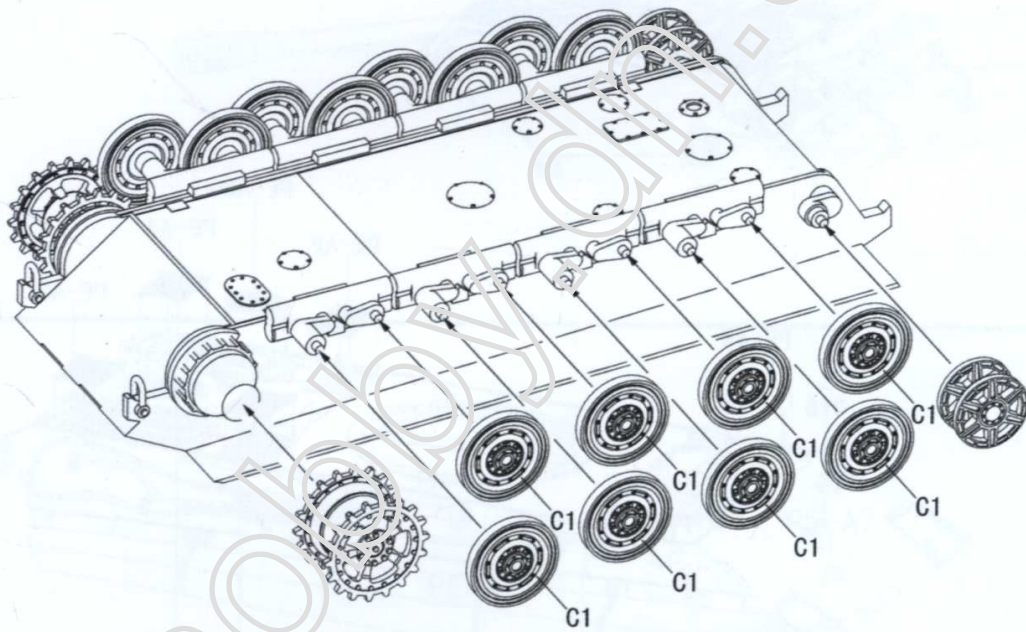
5



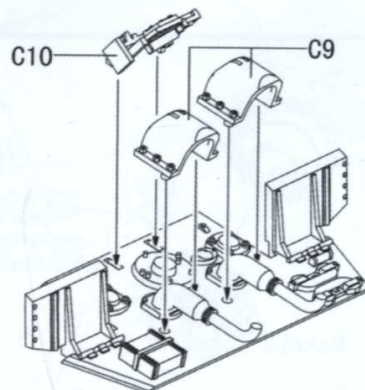
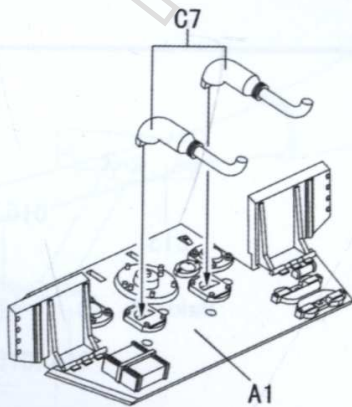
6



7

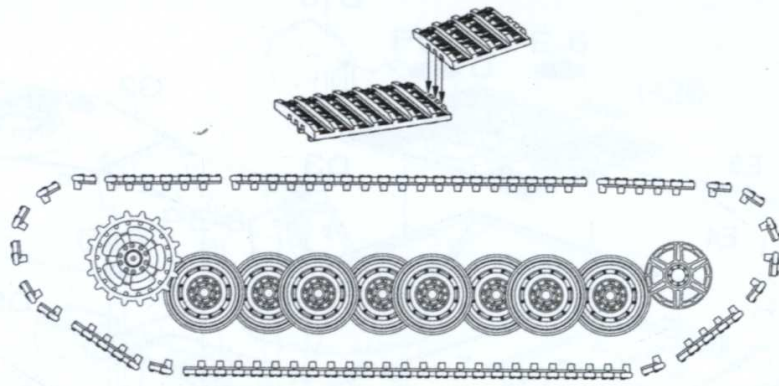


8

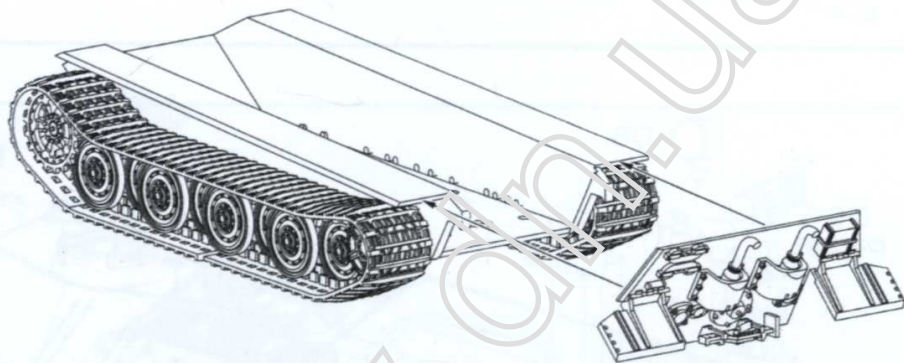




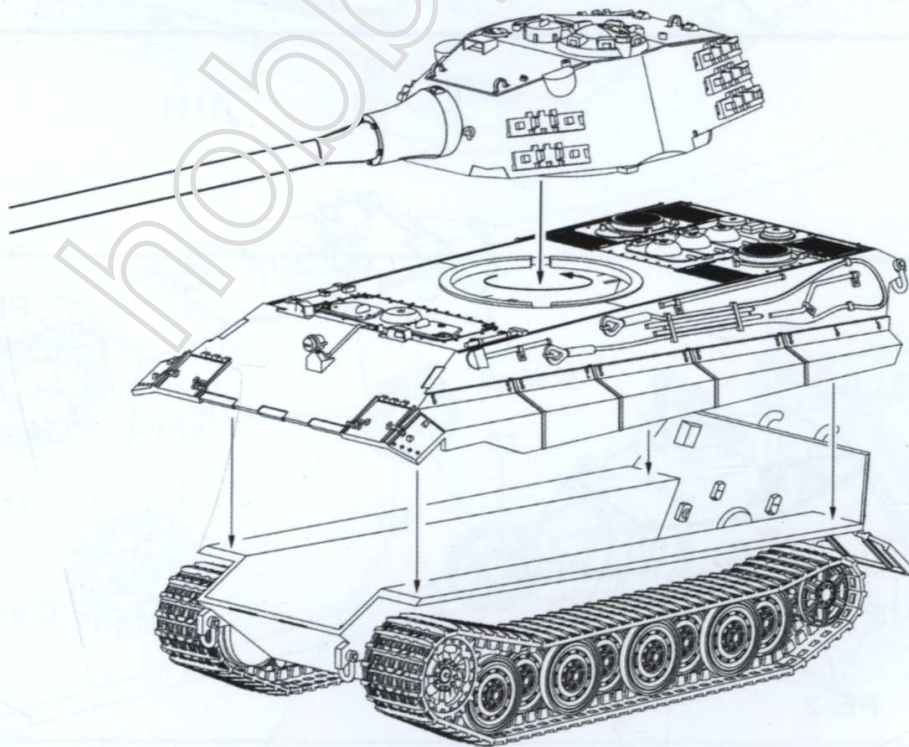
9



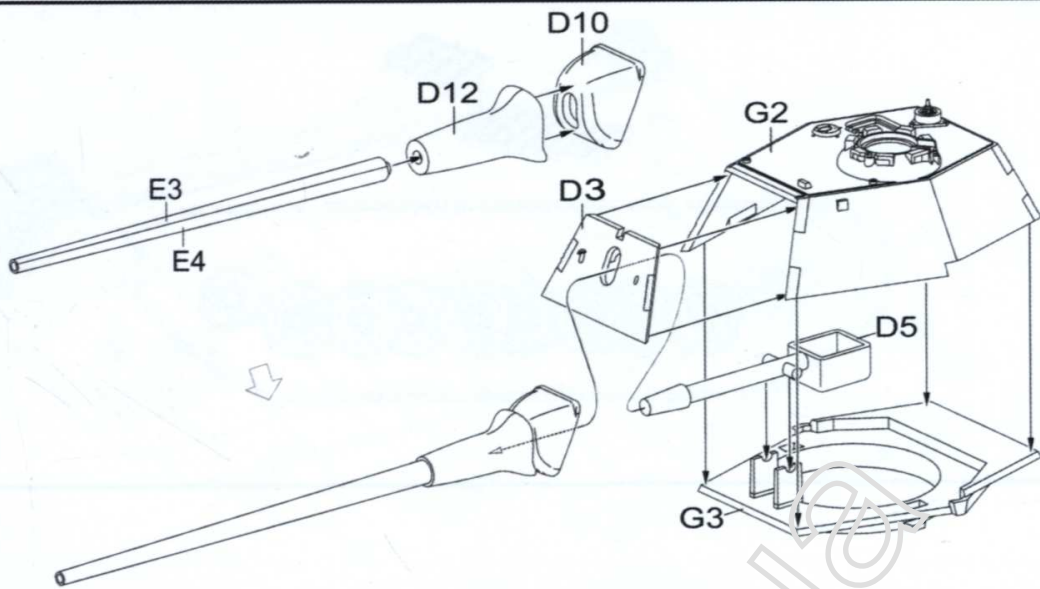
10



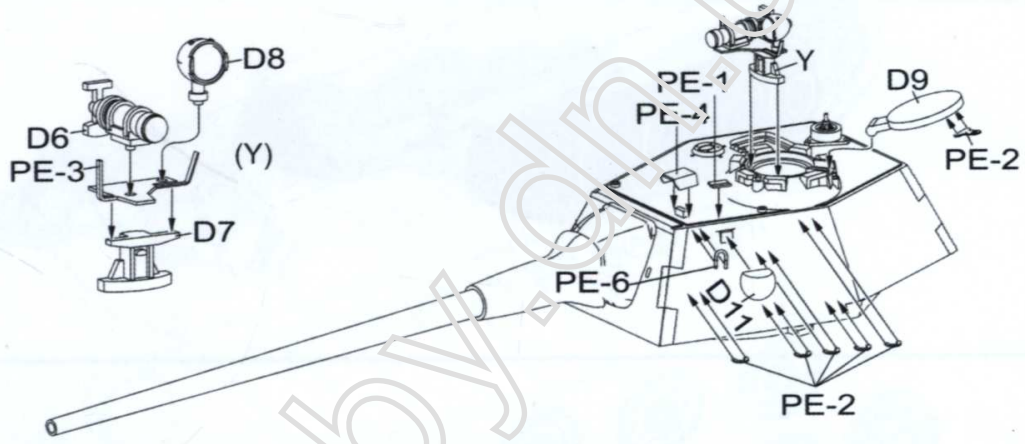
11



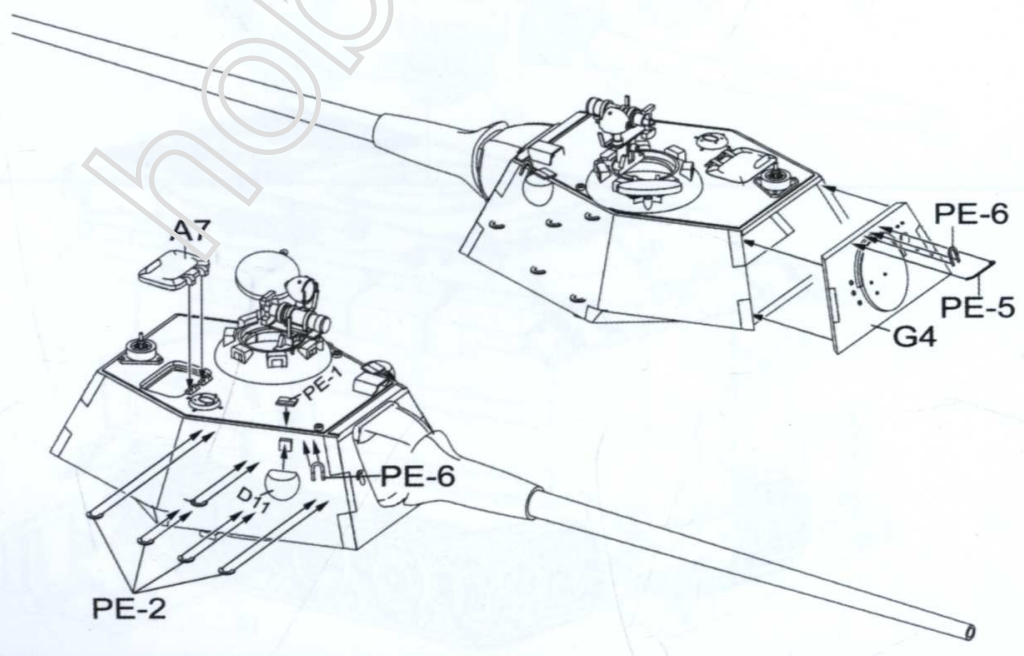
1



2

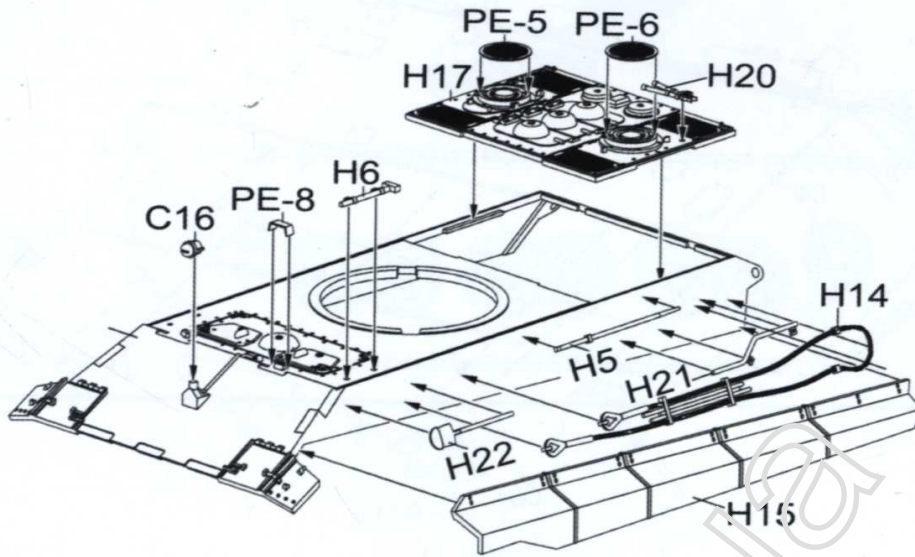


3

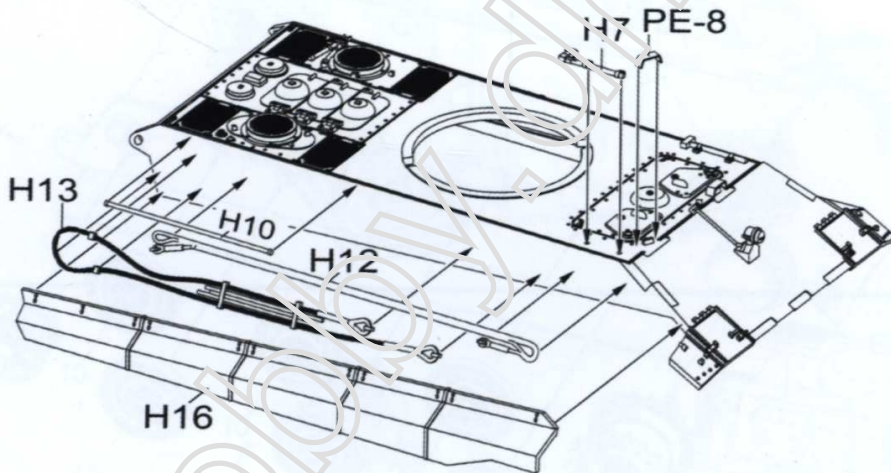




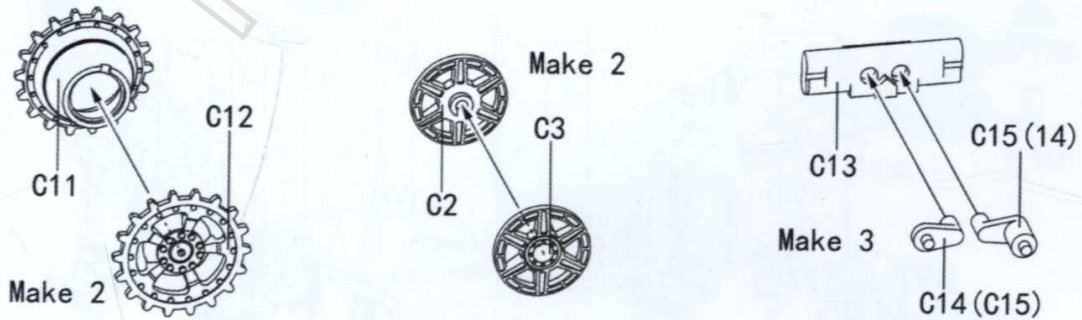
4



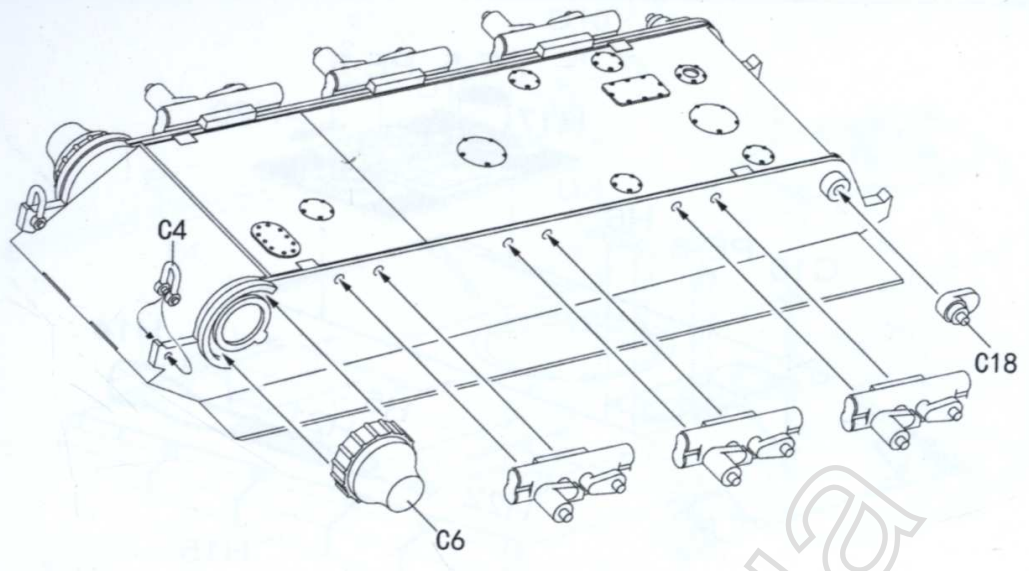
5



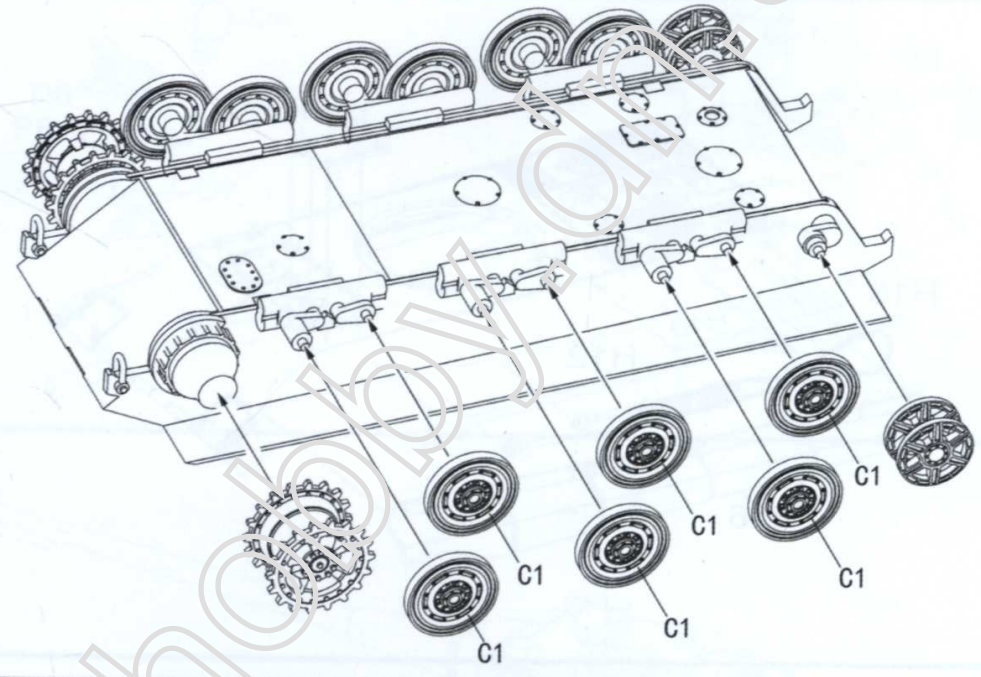
6



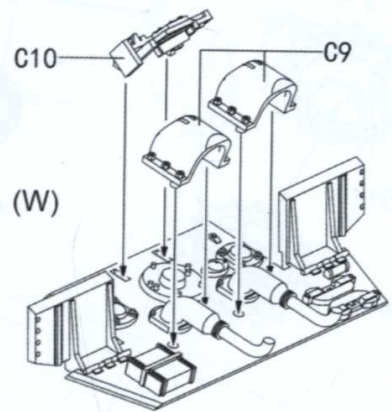
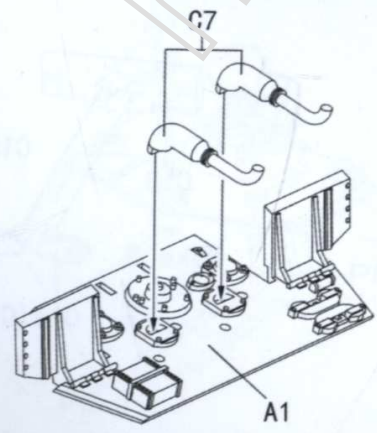
7



8

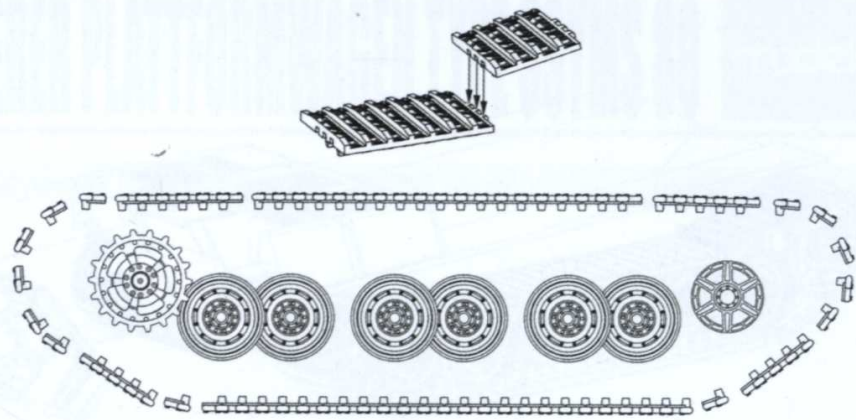


9

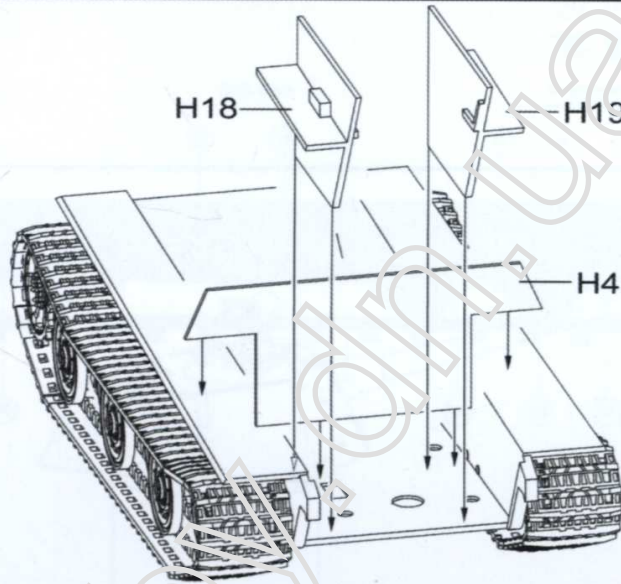




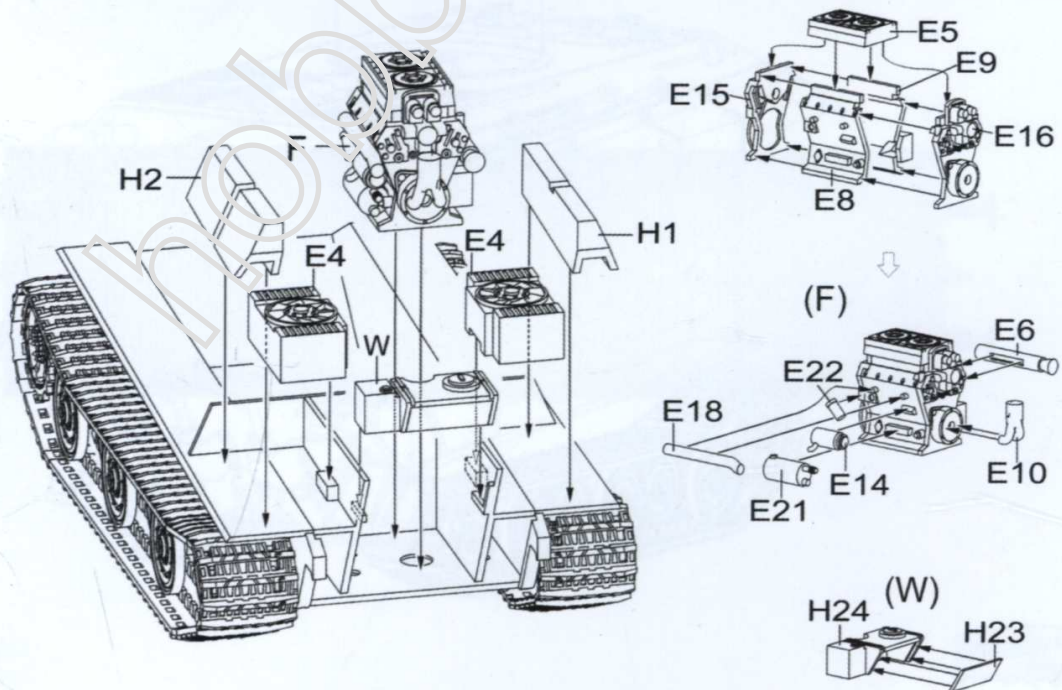
10



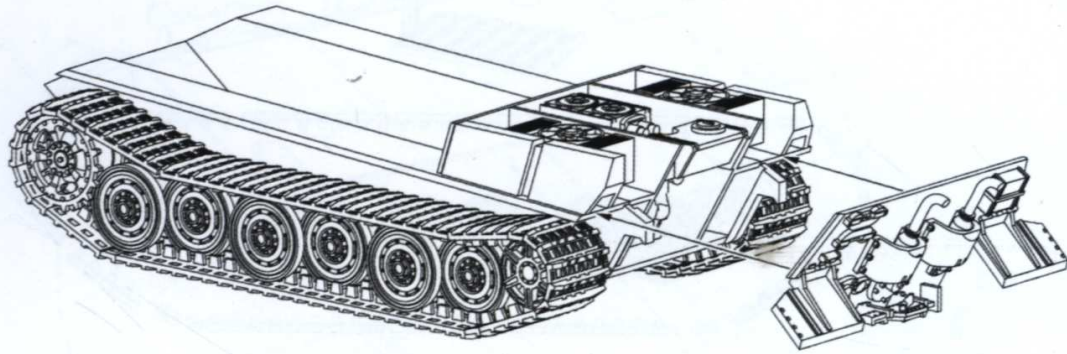
11



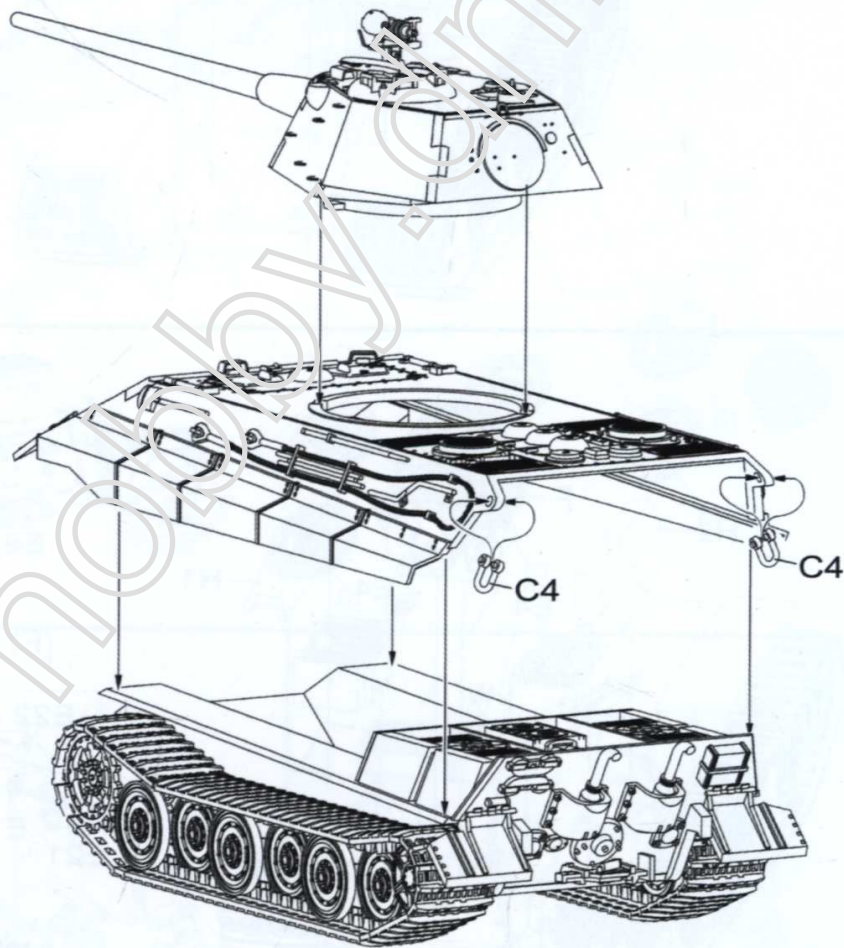
12



13



14

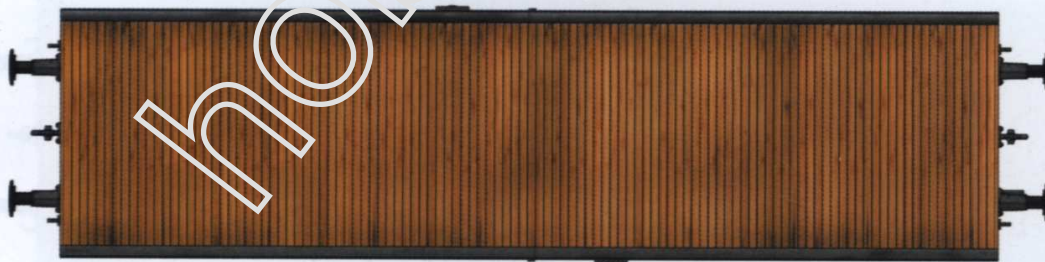
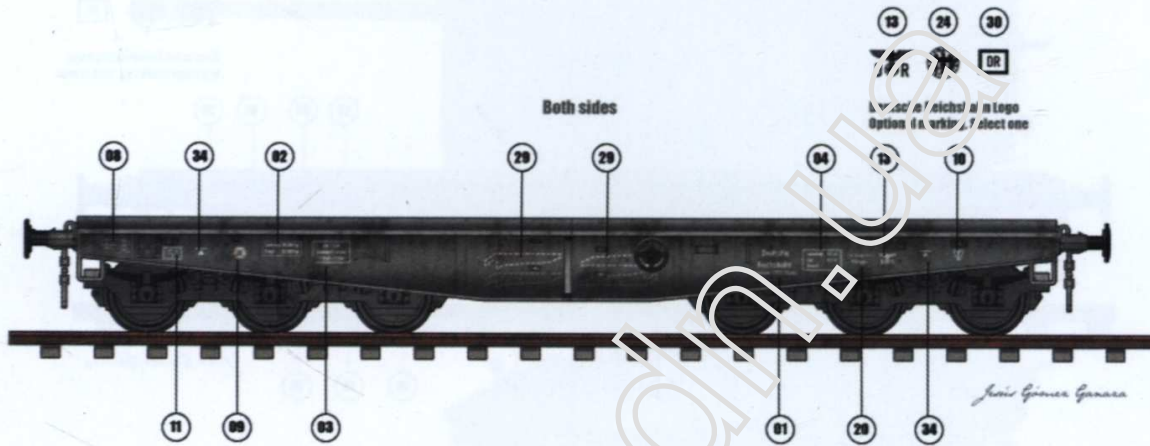




# GERMAN SCHWERER PLATTFORMWAGEN TYPE SSYMS 80



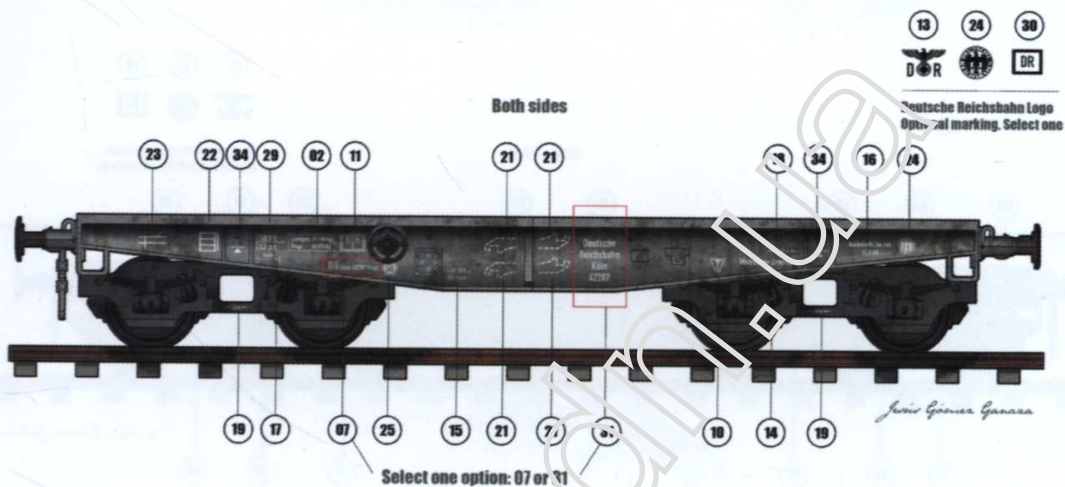
- A.MIG 033 Rubber & Tires
- A.MIG 097 Crystal Orange
- A.MIG 083 ZASHCHITNIY ZELENO
- A.MIG 057 Yellow Grey
- A.MIG 047 Satin White
- A.MIG 0191 Steel
- A.MIG 167 Jet Exhaust burnt iron



# GERMAN RAILWAY SCHWERER PLATTFORMWAGEN TYPE SSYS

modelcollect

- A.MIG 033 Rubber & Tires
- A.MIG 097 Crystal Orange
- A.MIG 083 ZASHCHITNIY ZELENO
- A.MIG 057 Yellow Grey
- A.MIG 047 Satin White
- A.MIG 0191 Steel
- A.MIG 187 Jet Exhaust burnt iron





# GERMANY WWII E-75 HEAVY TANK WITH 128 GUN

modelcollect

A.MIG 033 Rubber & Tires

A.MIG 014 RAL 8012 ROTBRAUN

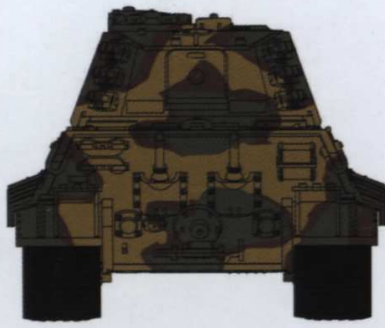
A.MIG 003 RAL 6011 RESEDAGRÜN

A.MIG 011 RAL 7029 DUNKELGELB AUS 44 DG 1

A.MIG 047 Satin White

A.MIG 019t Steel

A.MIG 187 Jet Exhaust burnt iron



MODELCOLLECT

color info and profiles by



# GERMANY WWII E-50 MEDIUM TANK WITH 88/L71 GUN

modelcollect

- A.MIG 033 Rubber & Tires
- A.MIG 097 Crystal Orange
- A.MIG 083 ZASHCHITNIY ZELENO
- A.MIG 057 Yellow Grey
- A.MIG 047 Satin White
- A.MIG 0191 Steel
- A.MIG 157 Jet Exhaust burnt iron



Roboyd.ru

