

# RUSSIAN T-72B WITH ERA MAIN BATTLE TANK WITH CAGE ARMOUR, 2019

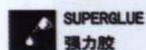


●READ BEFORE ASSEMBLY

1. When you use glue or paint, do not near flame, and use in a well-ventilated room.
2. Take extra care in handling photo etch parts in order to avoid injury
3. When you take parts off the runner frame, use modeling scissors and trim excess plastic with a cutter or a file.
4. Glue and paint are not included.
5. This product is only suitable for experienced more than 14 years old.

●装配之前仔细阅读:

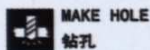
1. 勿於明火处使用胶水或油漆, 并打开窗户保持空气流通。
2. 处理零件时特别注意安全, 防止利边划伤手指。
3. 从支架中取出零件时, 应用模型专用剪, 并用界刀或小锉除去多余的胶料。
4. 请使用专用胶水和油漆, 模型内不含。
5. 本产品不适合14岁以下没有经验的模型爱好者。



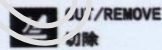
SUPERGLUE  
强力胶



WEIGHT  
配重



MAKE HOLE  
钻孔



CUT/REMOVE  
切除



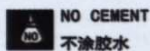
BEND  
弯曲



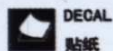
FILE/SAND  
锉平



OPTION  
选择



NO CEMENT  
不涂胶水



DECAL  
贴纸

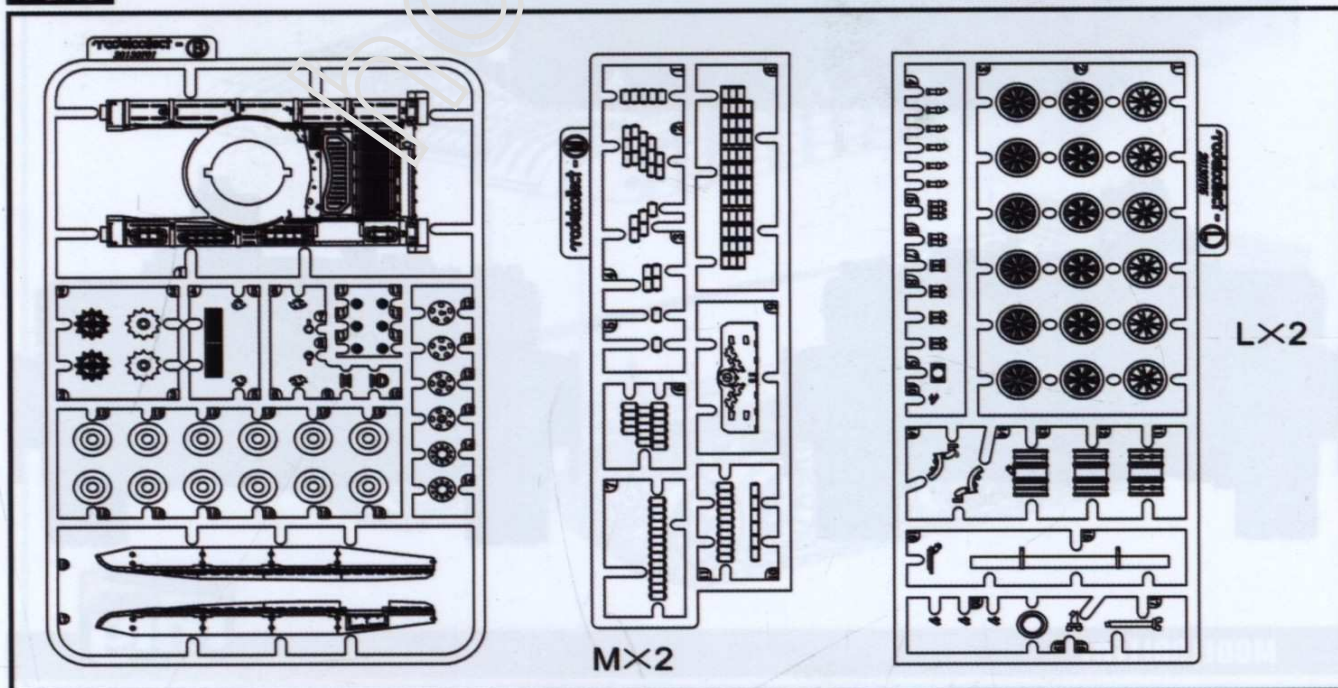
DECAL APPLICATION

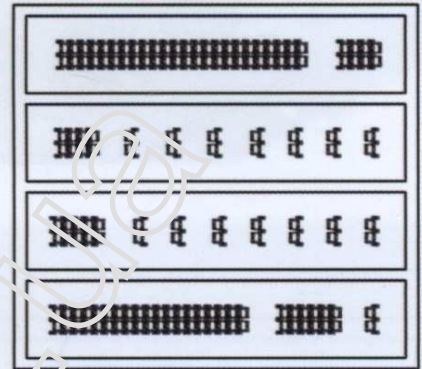
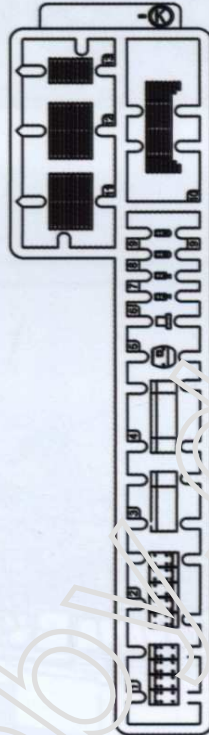
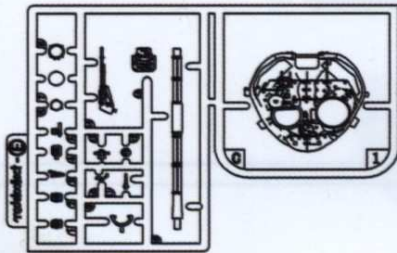
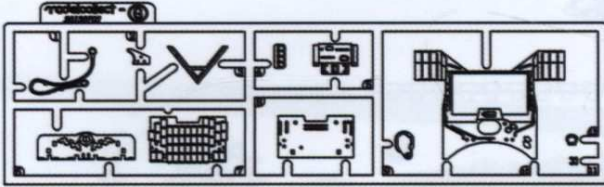
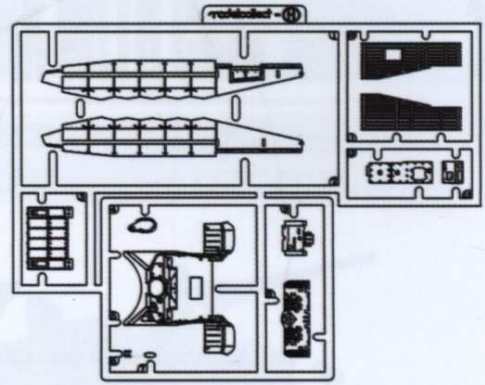
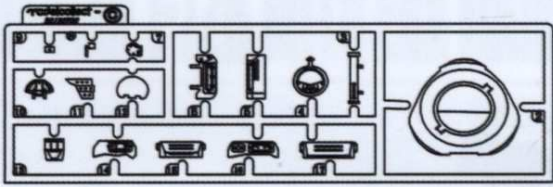
1. Cut off decal from sheet.
2. Dip the decal in tepid water 40° C for about 10 sec. and place on a clean cloth.
3. Hold the backing sheet edge and slide decal onto the model.
4. Move decal into position by wetting decal with finger.
5. Press decal gently down with a soft cloth until excess water and air bubbles are gone.

水贴纸的使用:

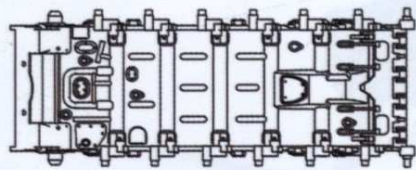
1. 从水贴纸上剪下印花。
2. 将印花放入温水中浸10秒, 然后放在干净布上。
3. 拿着印花纸板将印花移到模型上。
4. 手指蘸水将印花移到适当的位置。
5. 用软布轻压印花直至不干, 气泡消失。

Parts

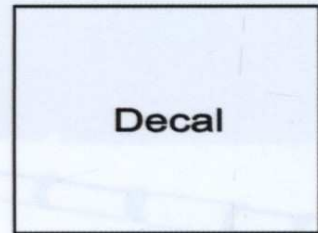




Track X 2

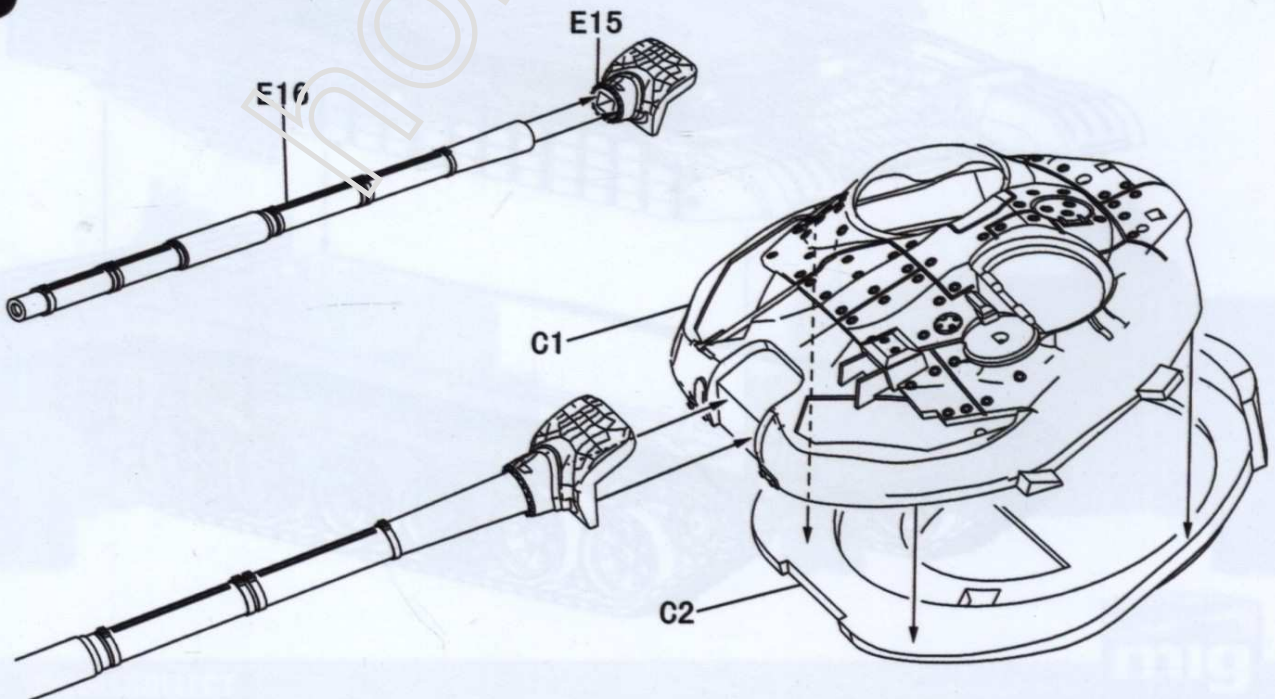


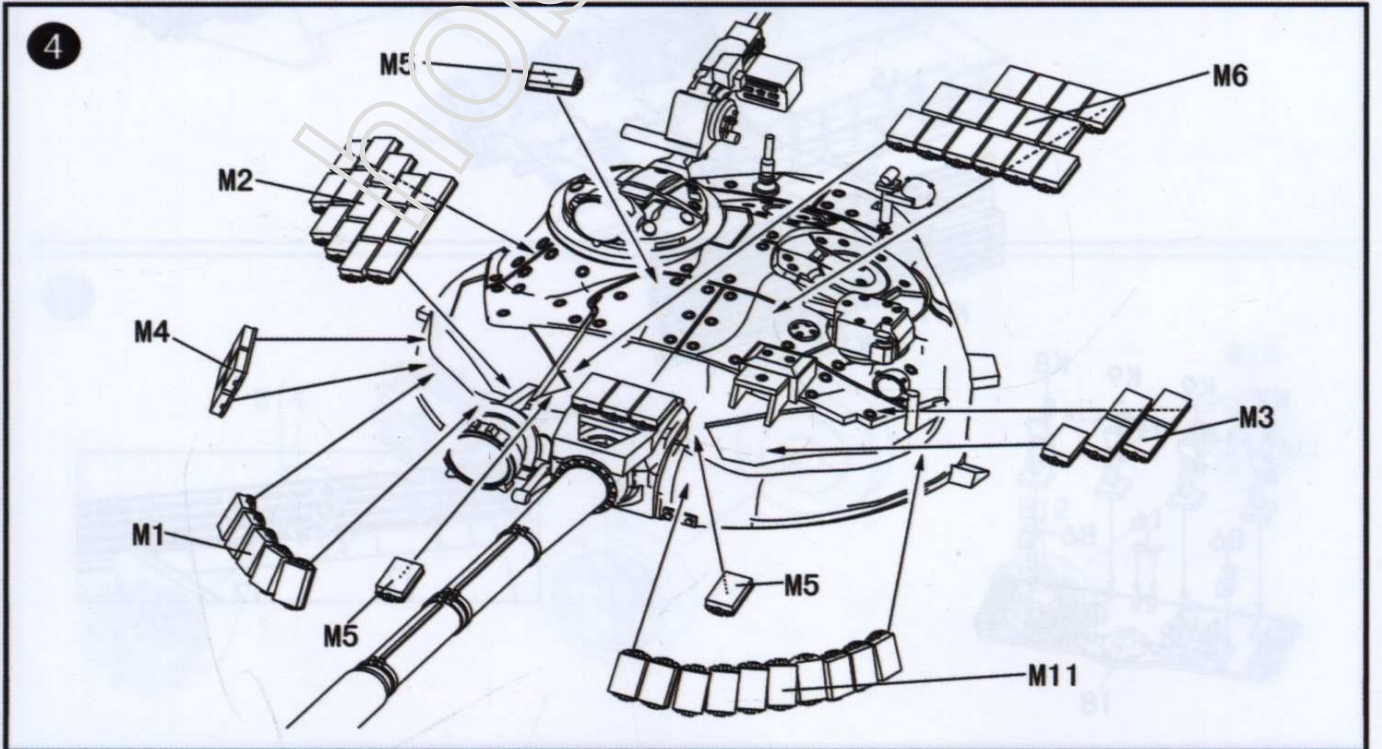
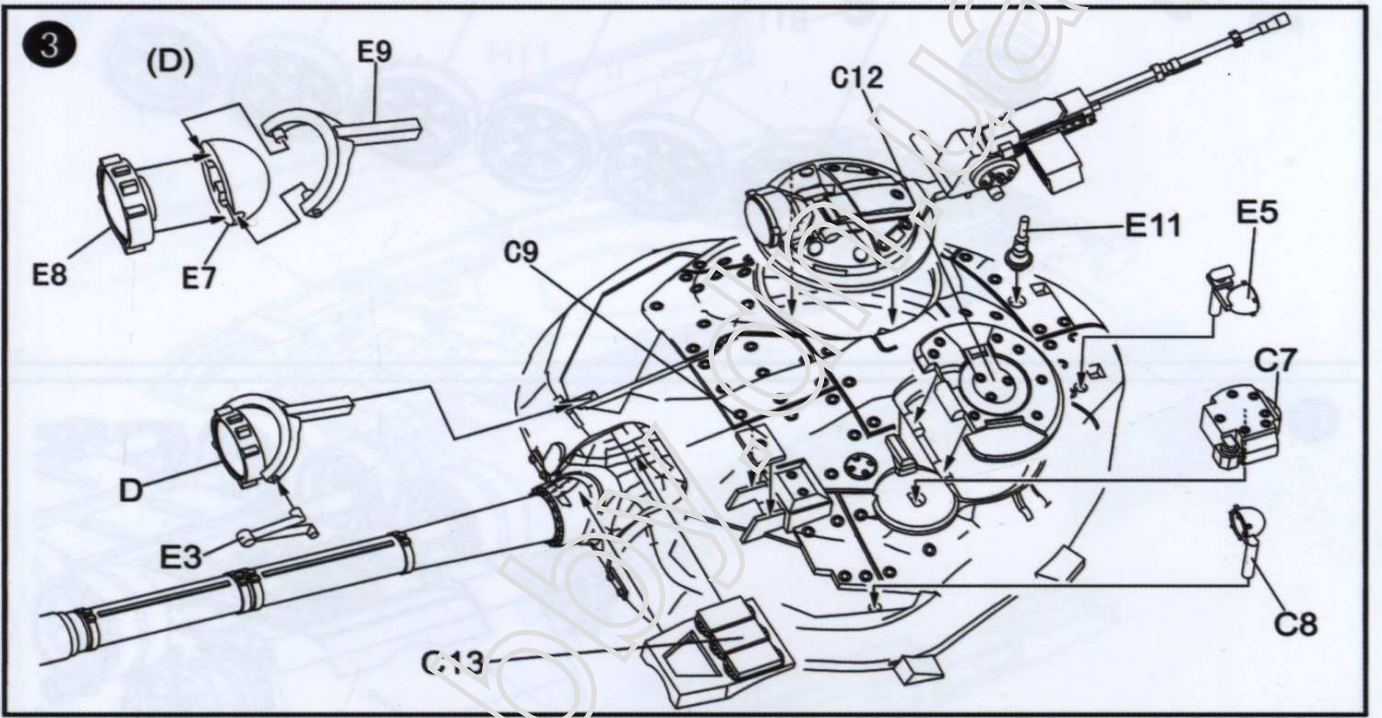
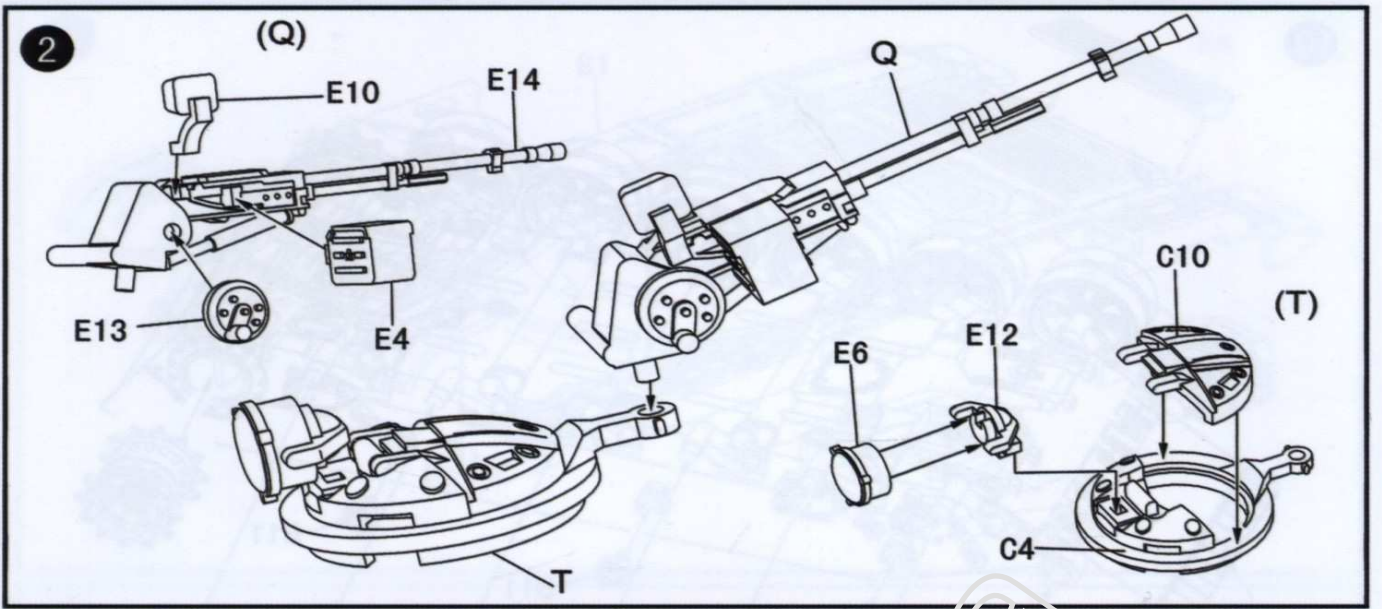
Metal bottom of the vehicle



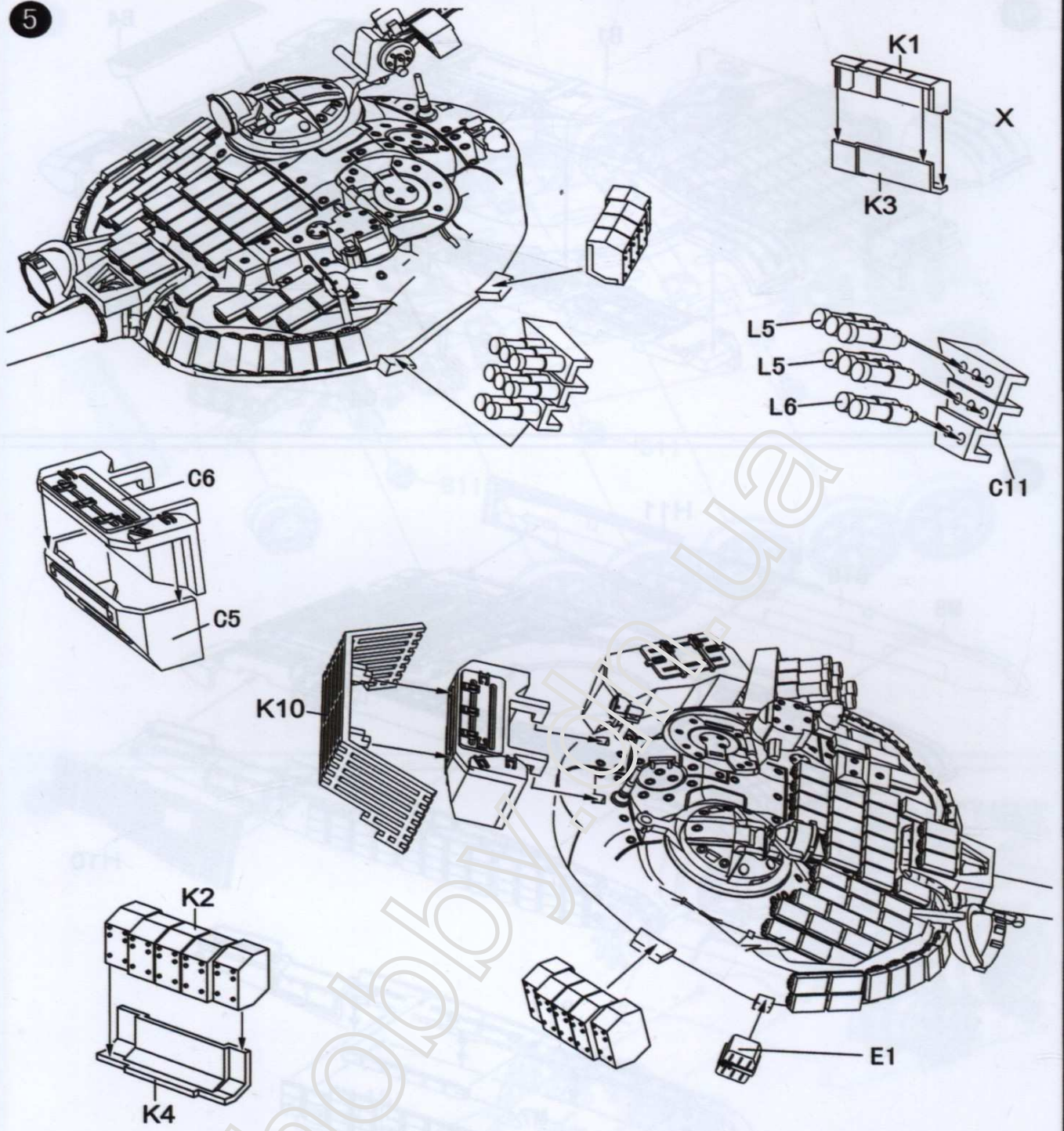
Decal

1

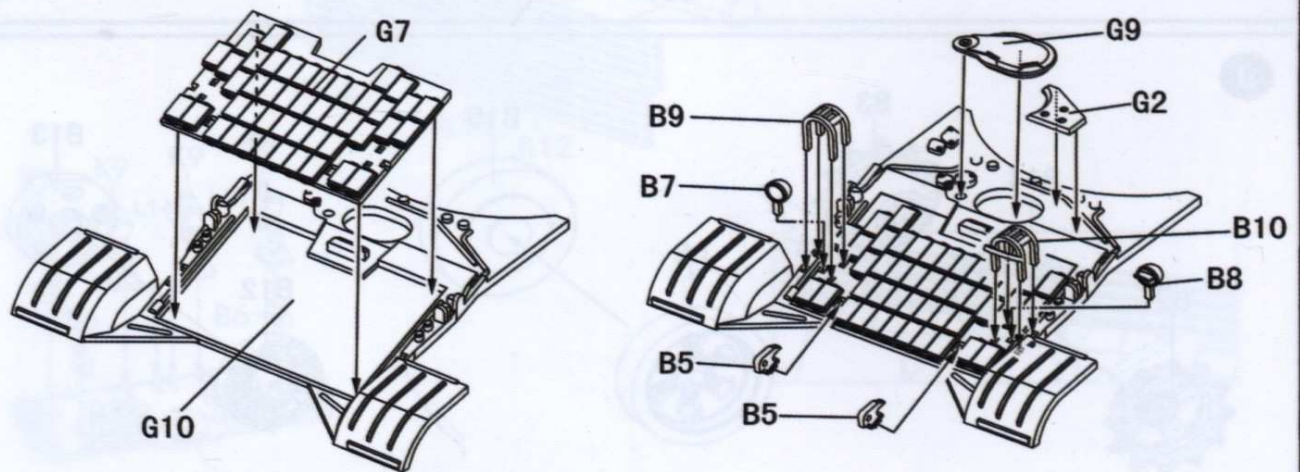


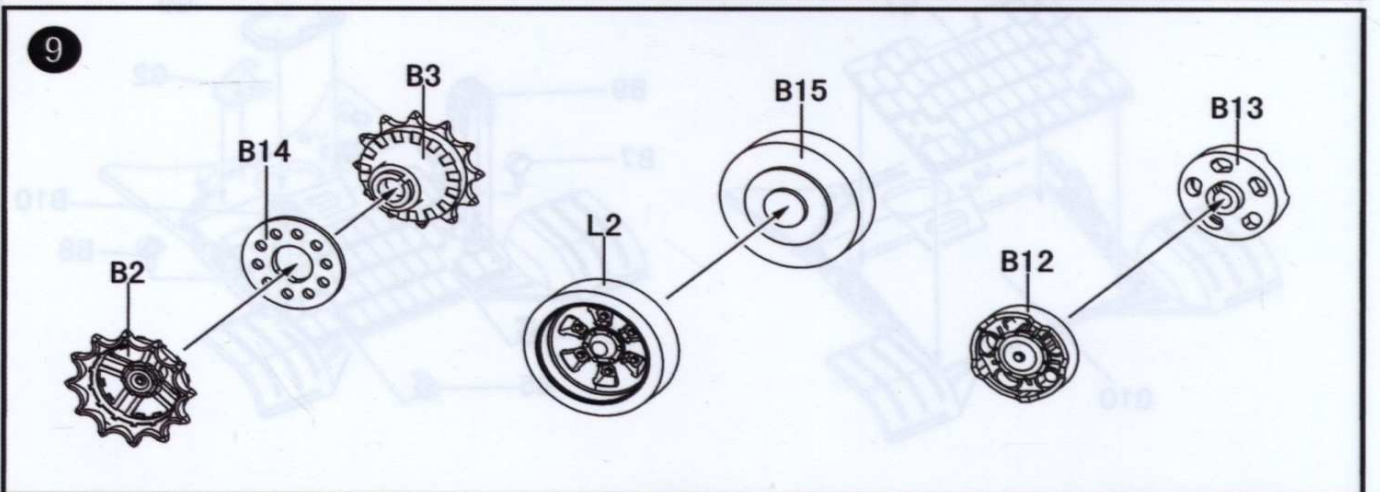
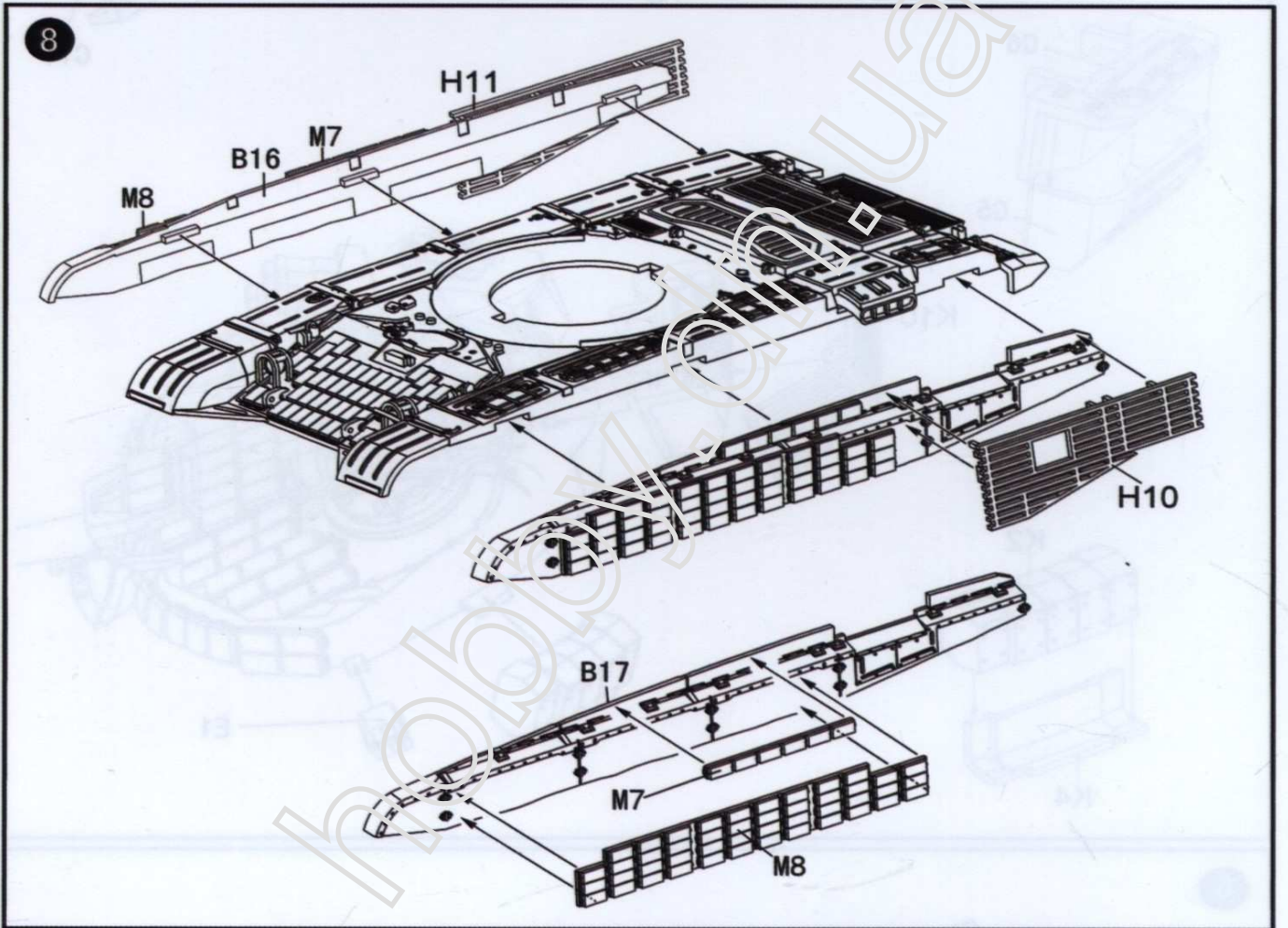
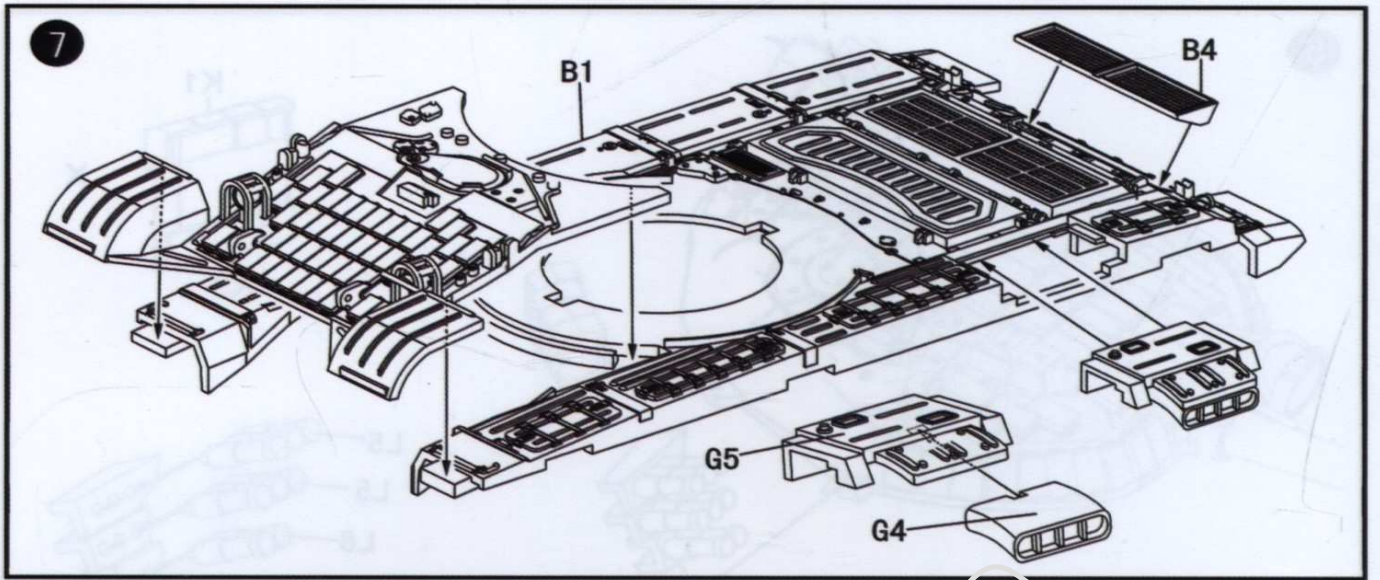


5

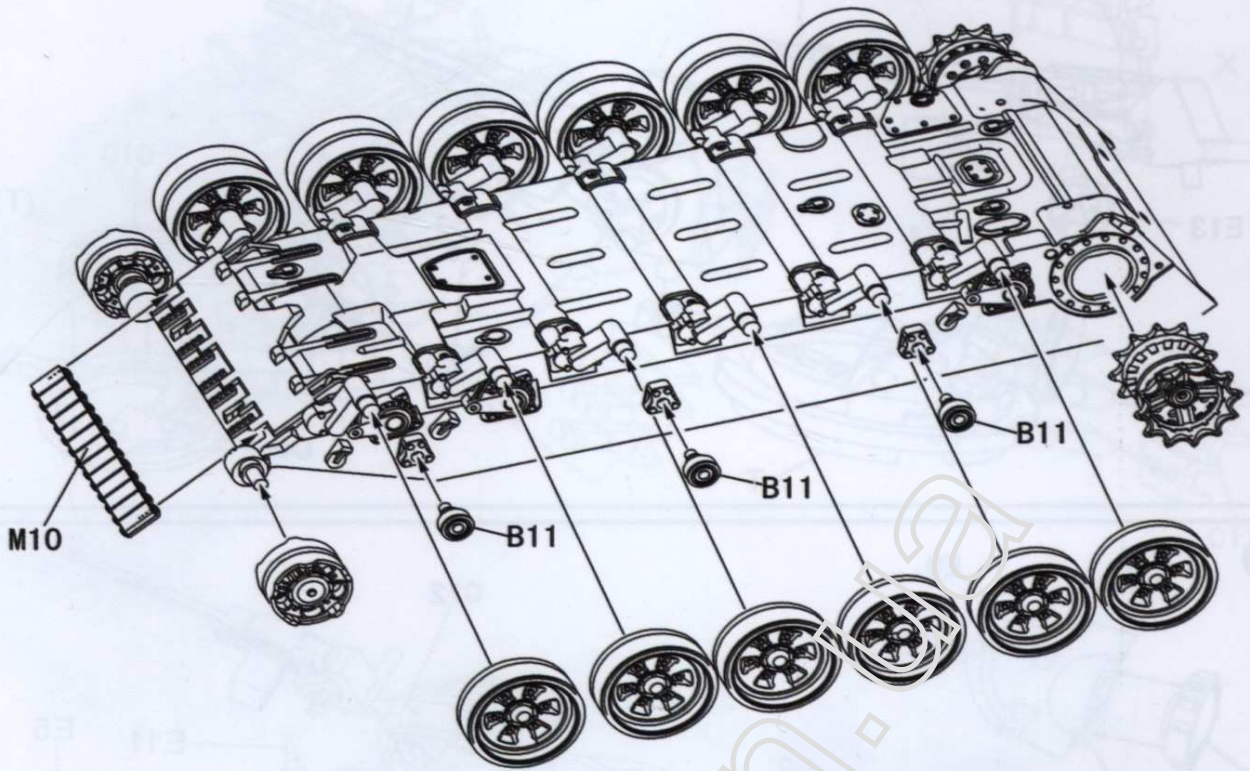


6

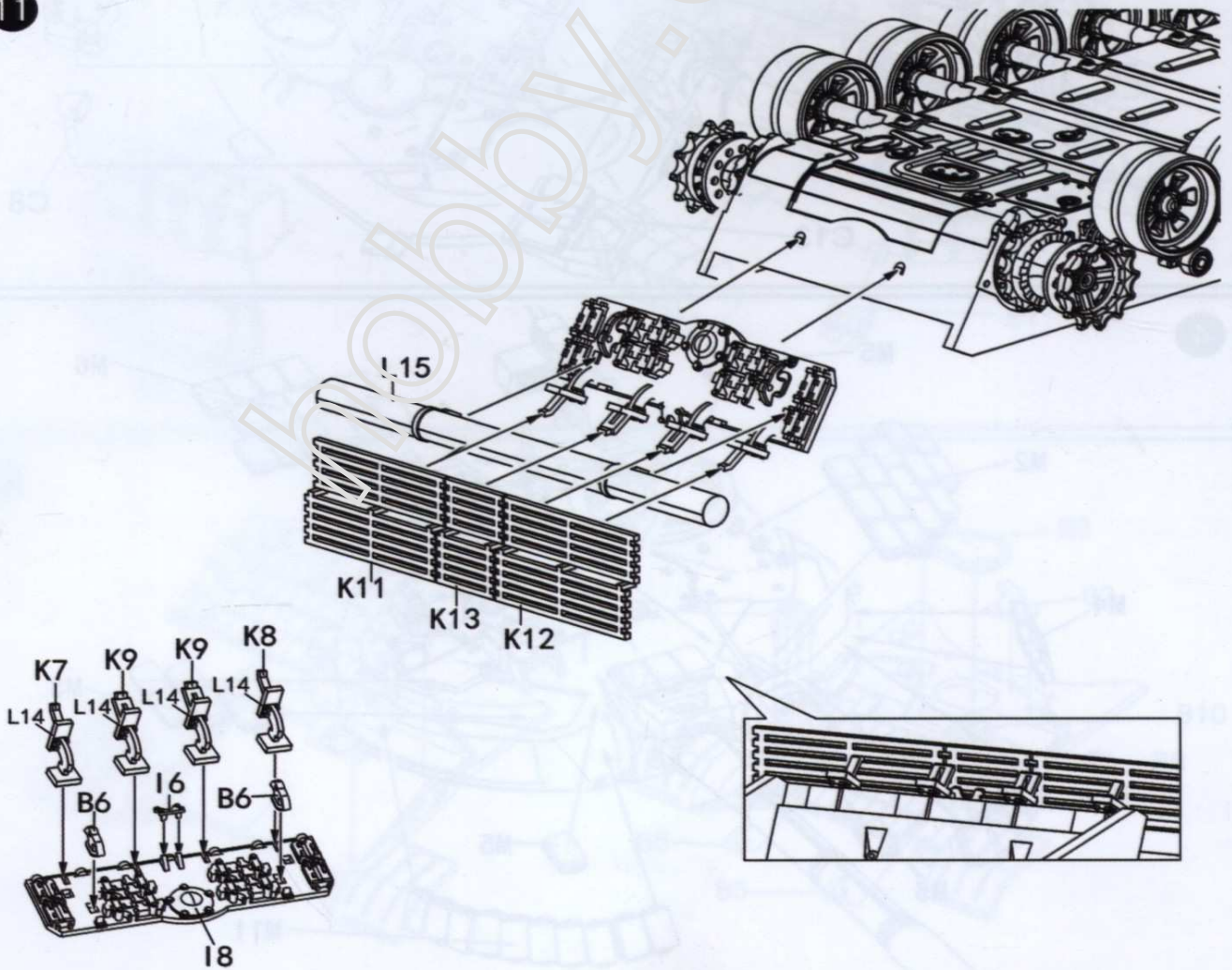




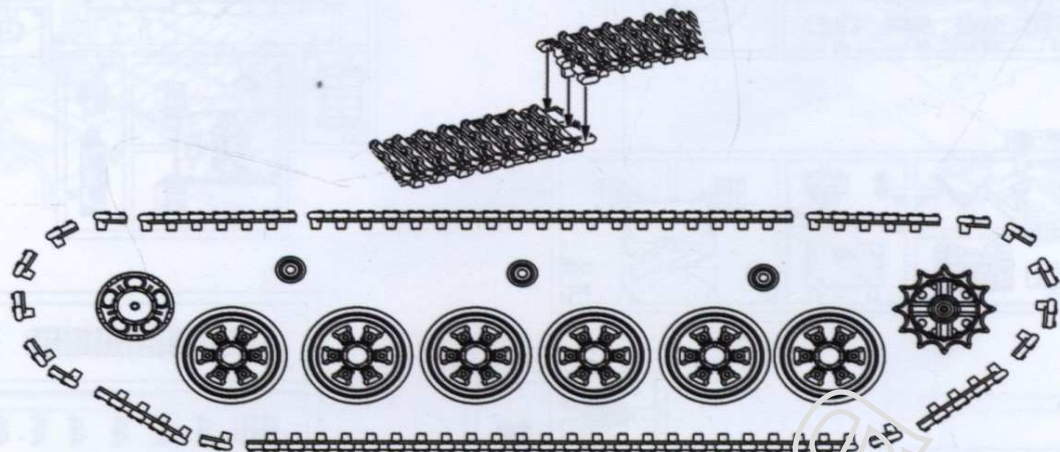
10



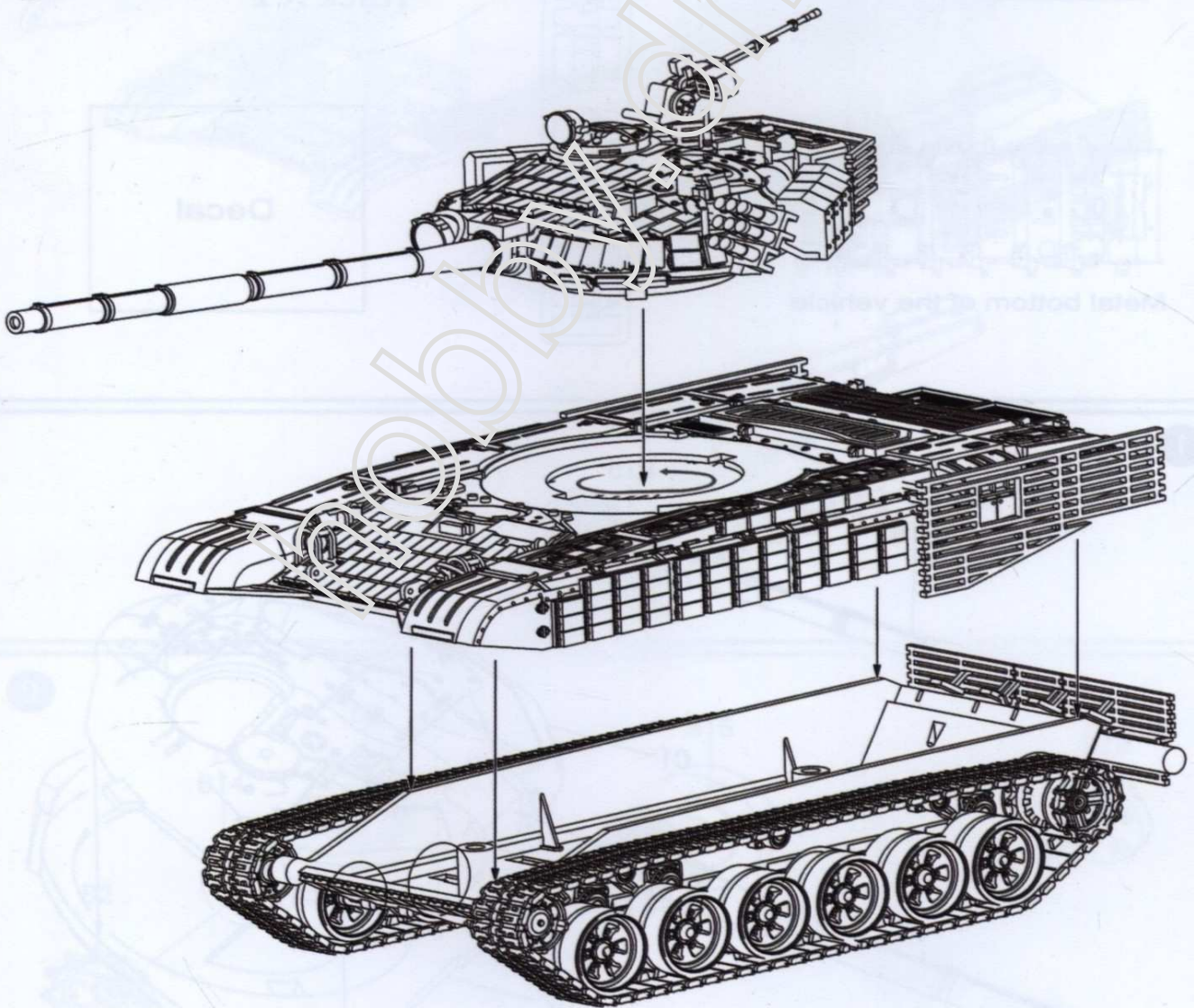
11



12

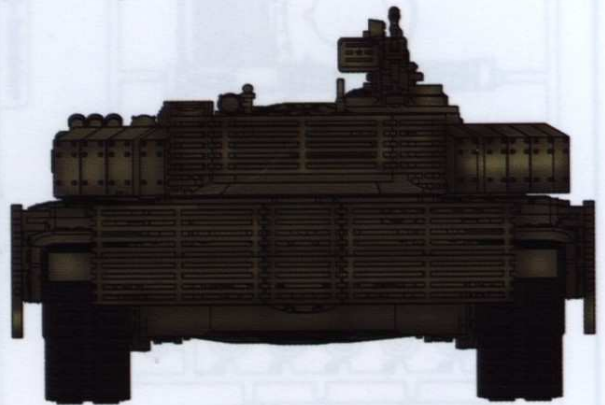
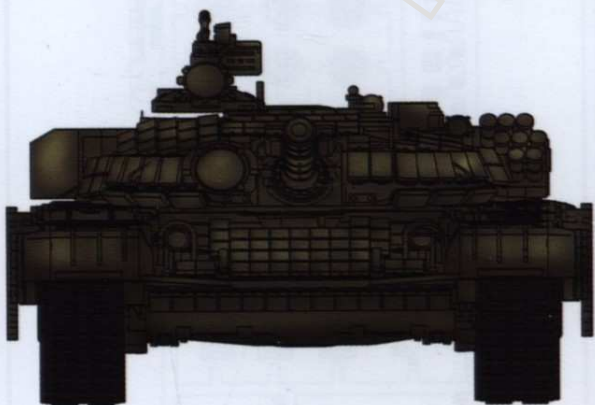
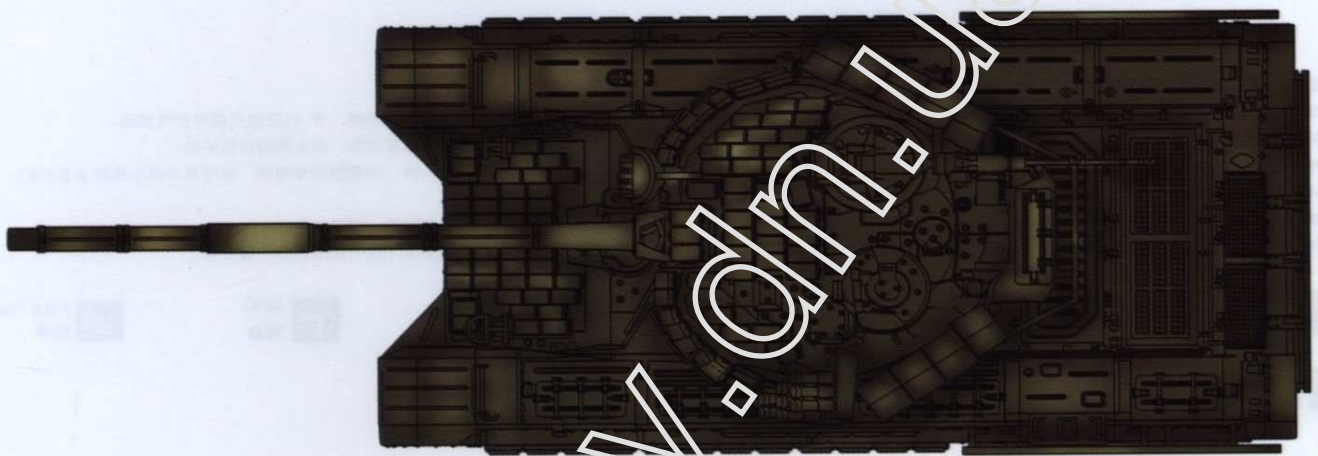


13



# RUSSIAN T-72B WITH ERA MAIN BATTLE TANK WITH CAGE ARMOUR, 2019

A.MIG 011 RAL 7028 DUNKELGELB AUS '44 DG I	A.MIG 915 Dark Green	A.MIG 008 RAL 7021 DUNKELGRAU	A.MIG 032 Satin Black	A.MIG 037 NEW WOOD	A.MIG 911 GREY SHINE
A.MIG 014 RAL 8012 ROTBRAUN	A.MIG 033 Rubber & Tires	A.MIG 042 OLD RUST	A.MIG 045 Gun Metal	A.MIG 012 RAL 7028 DUNKELGELB AUS '44 DG III	



hobbyland.ua