



# USER MANUAL

产品安装说明书



## **M-ATV MRAP** **[Mine Resistant Ambush Protected]**

美国陆军防地雷反伏击全地形车

1/35 SCALE

PANDA MODEL  
2011-2012

**PH 35001**

## READ BEFORE ASSEMBLY

### 组装前请仔细阅读

1. Study and understand these instructions thoroughly before beginning assembly  
组装前请仔细阅读以下内容
2. When needed, remove photo-etch parts carefully using a modeling knife or photo etch sprue cutter, be careful not to damage or lose small parts  
请使用专业模型工具仔细去除蚀刻片或胶件上需要剪下的部分，小心不要损坏或丢失
3. Take extra care in handling photo etch parts in order to avoid injury  
在处理蚀刻片的部分时请格外小心，以避免伤害
4. Apply instant cement sparingly to photo etch parts were instructed  
用强力快干胶水粘合蚀刻片零件和金属轴，过量使用快干胶水可能导致可动零件粘住，小心涂胶
5. Tools recommended(not included in kit): Plastic and instant cements, sprue cutters, long nose pliers, modeling knife, small files, tweezers, pin vise & scissors. Soft cloth and sandpaper will also assist in construction  
推荐模型工具(自备): 胶水、水口剪刀、长咀钳、刀片、锉刀、镊子、钳、钻、剪刀、瞬间快干胶  
软布与砂纸同时也应该是必备工具，请使用塑料胶水和油漆(模型内不含)
6. Glue and paint are not included in the kit. Use plastic cement and hobby paints only. Color guide for purchasing paint is included in the kit.

DE	Geeignet ab 14 Jahre.
NL	Geschikt vanaf 14 jaar.
EN	Kit suitable for ages 14 to adult.
IT	Non adatto ai minori di anni 14.
FR	A partir de 14 ans jusqu'à l'âge adulte.
ES	Para edades de 14 años hasta adultos.
SE	Denna produkt är lämplig för åldrar över 14 bara.
RU	Не предназначен для лиц в возрасте до 14 лет.
JP	本製品は14歳以上の方を対象としています。
CN	本产品适合14岁以上青少年及成人收藏。

**14+**

## ICON INSTRUCTION

### 图标说明



Optional  
选择



Bending  
折弯



Do not stick  
不涂胶水



Decal  
水贴纸



Remove  
切除



Drilling  
钻孔



Fill  
填补

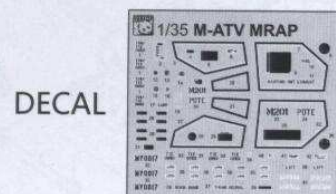
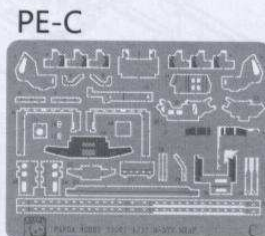
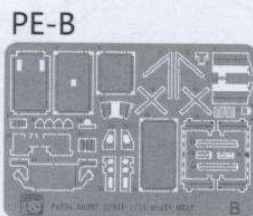
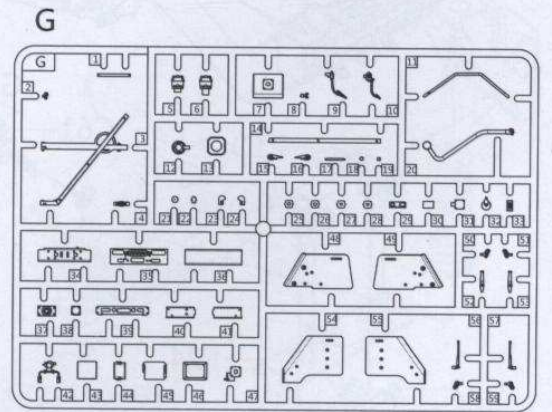
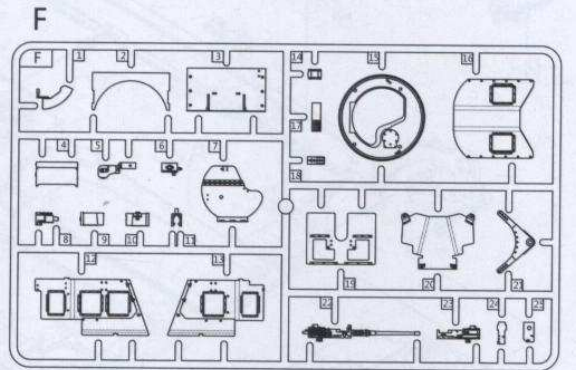
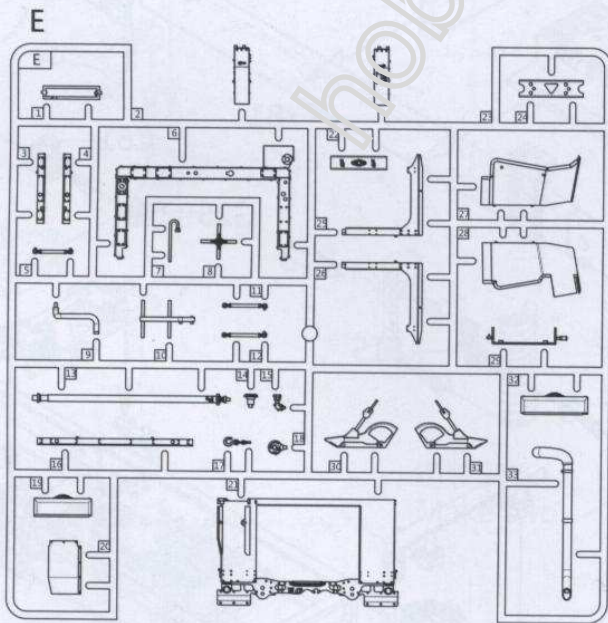
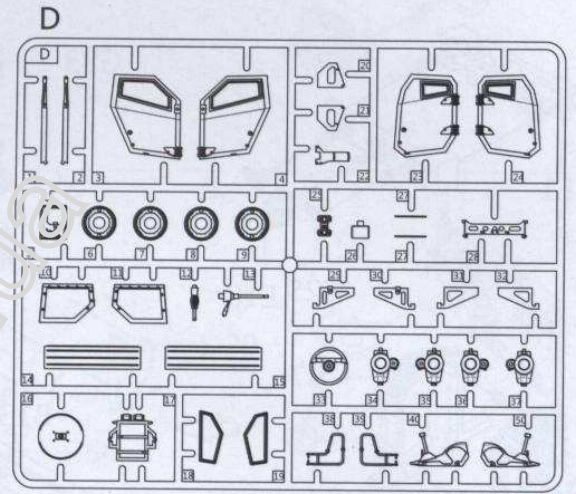
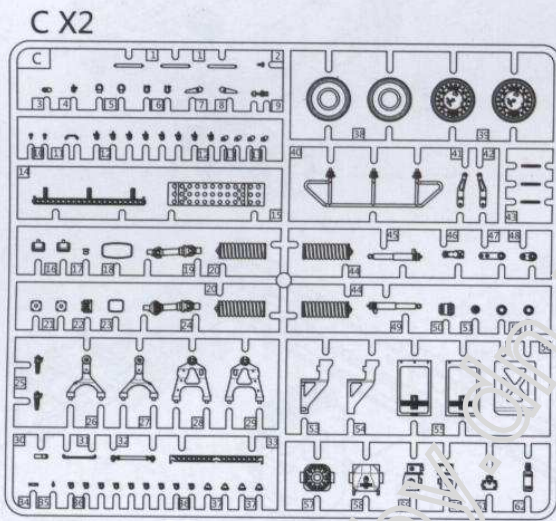
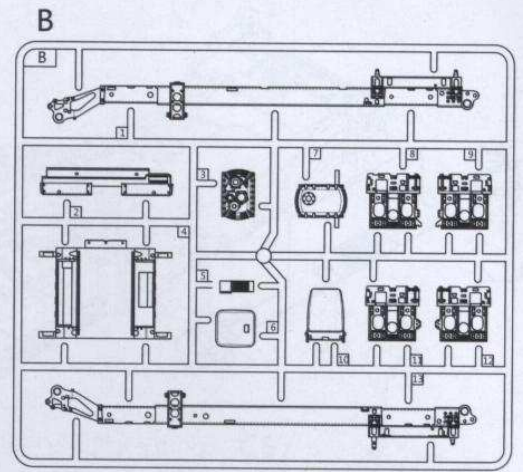
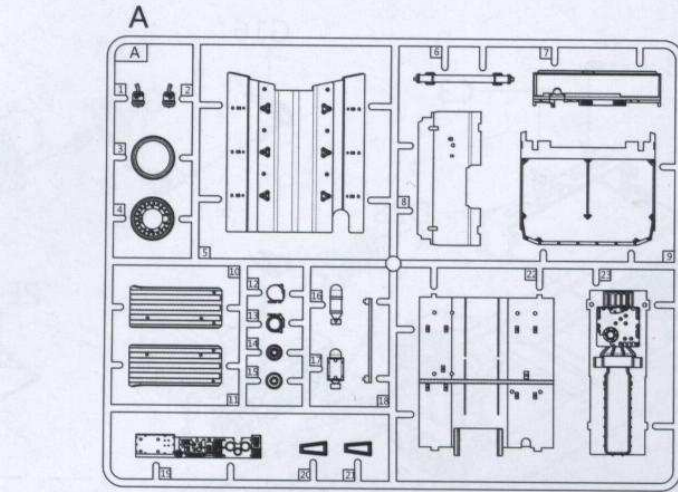
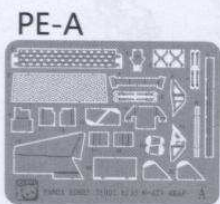
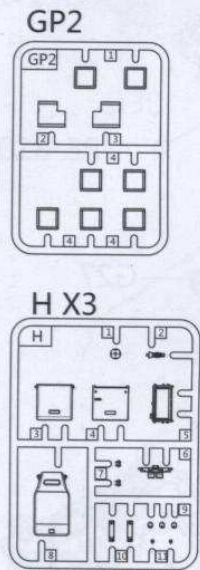
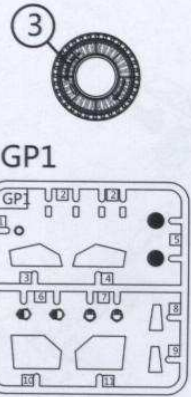
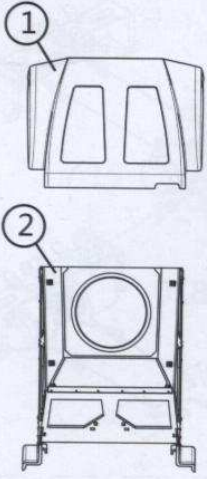


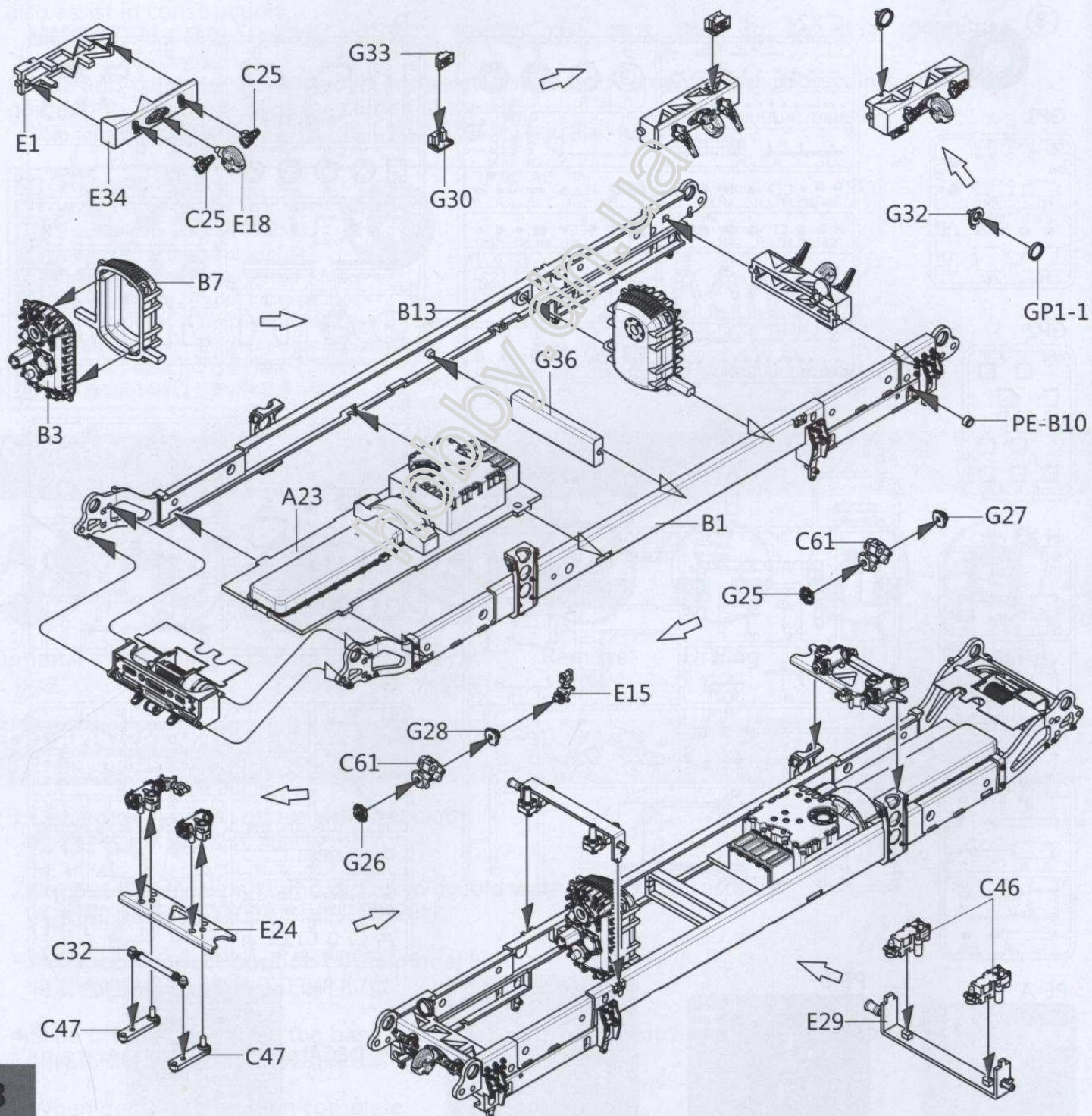
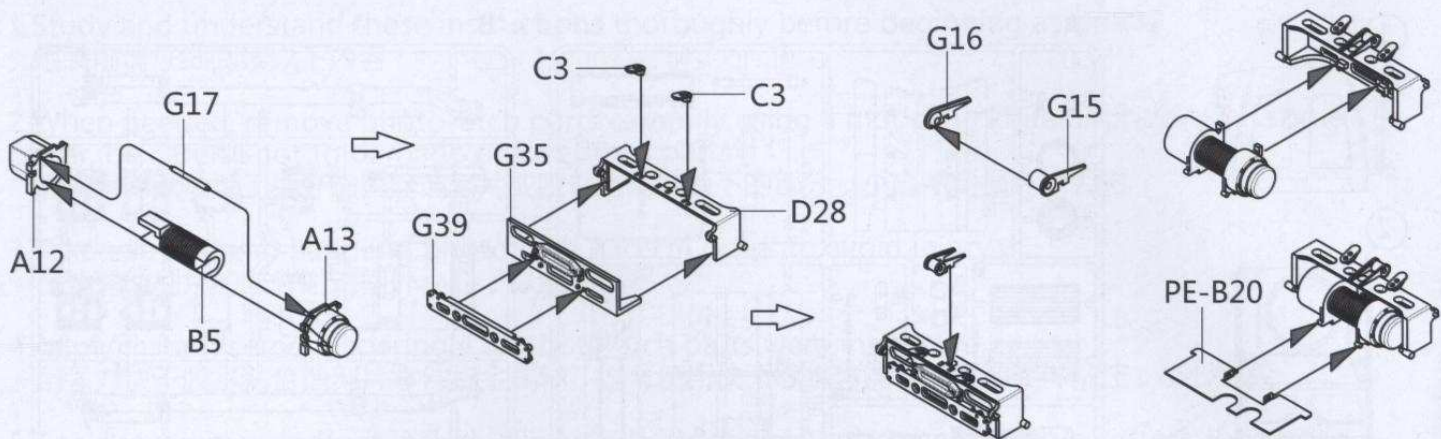
Weight  
配重

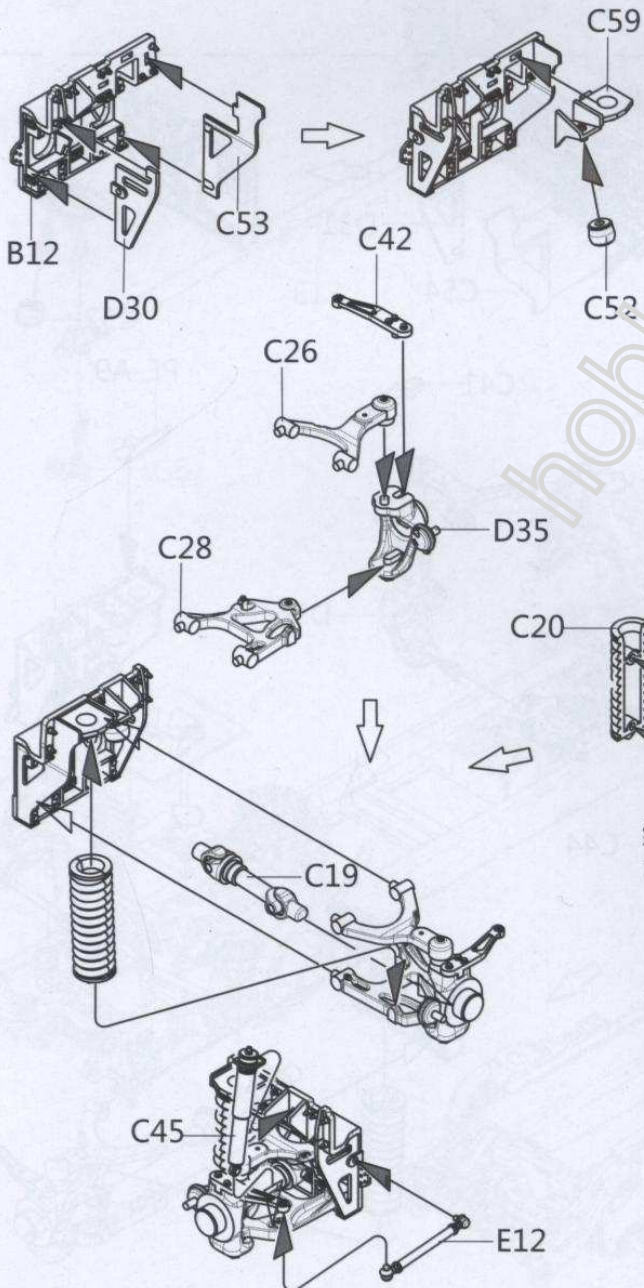
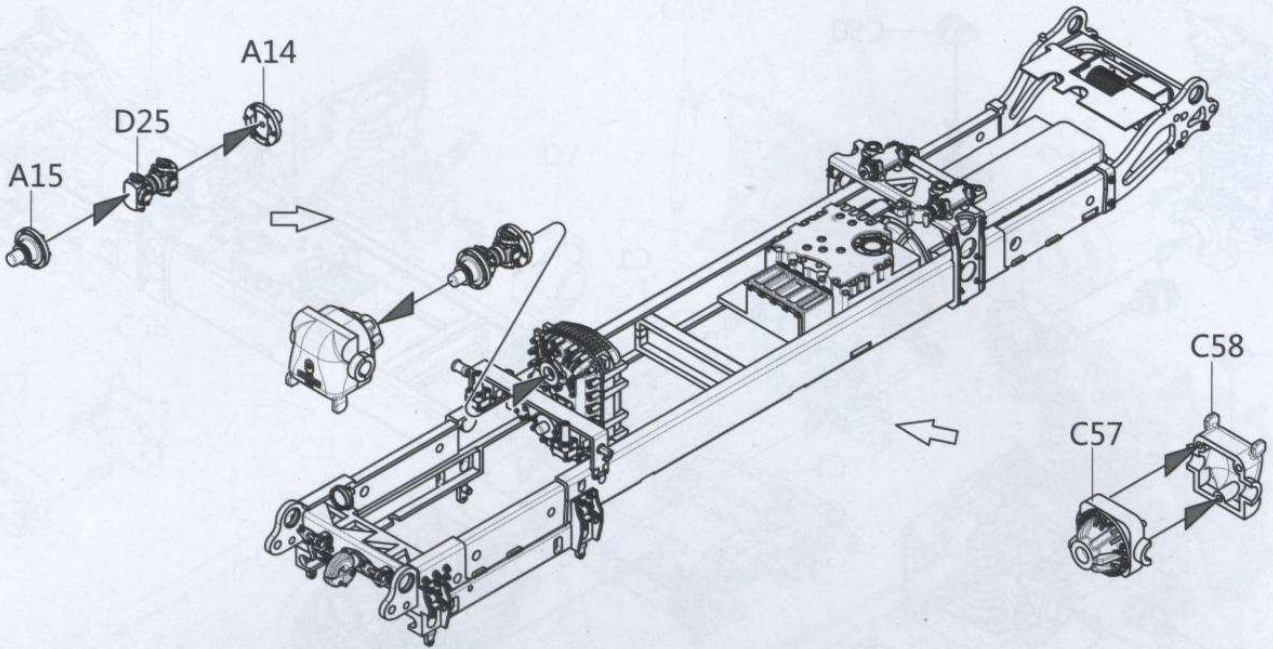
## DECAL APPLICATION

### 水贴纸使用方法

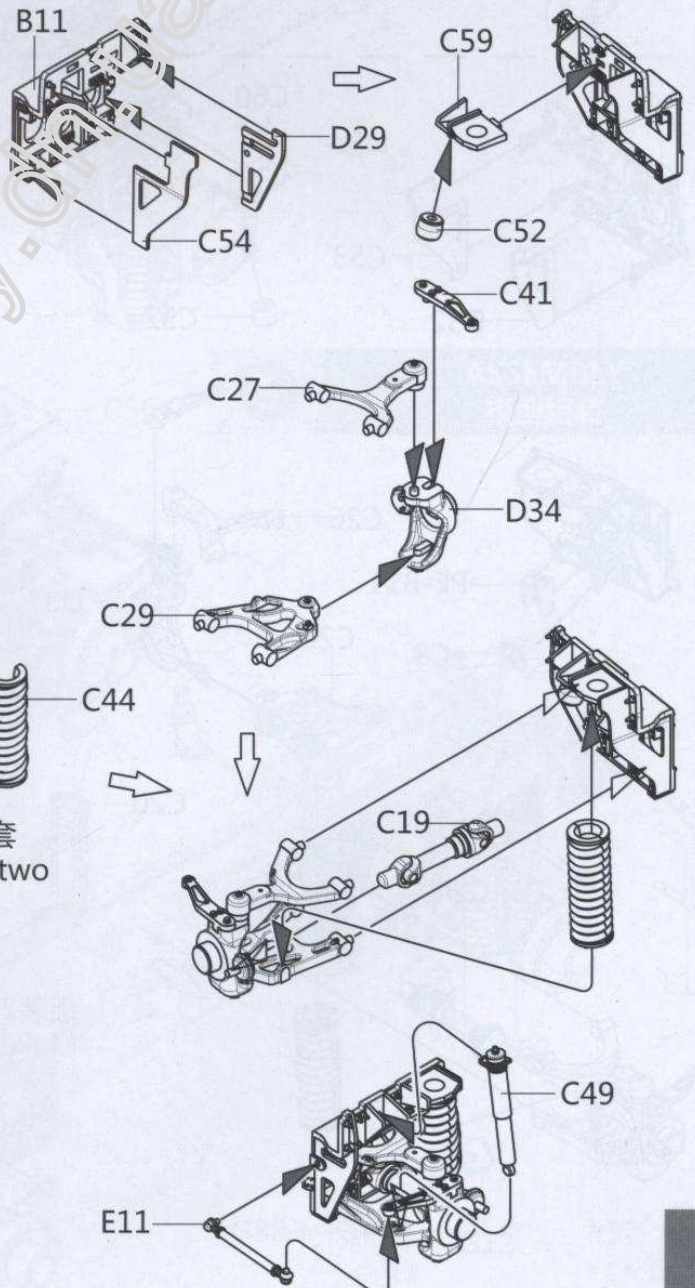
1. Clean model parts surface with wet cloth.  
将需要贴上水贴的部位表面擦干净
2. Cut out the decal parts and dip them in cold water for 15~20 seconds.  
将所需的贴纸剪下泡在清水里约15至20秒
3. Place it on correct position of the model kit.  
将湿透的贴纸取出置放于正确的位置
4. Slide off the decal from the base paper on to the model kit surface with a cotton stick.  
用棉花棒轻推贴纸表面使其从底纸滑出至模型表面正确位置
5. When decal get dry then complete.  
待其自然干透后即完成

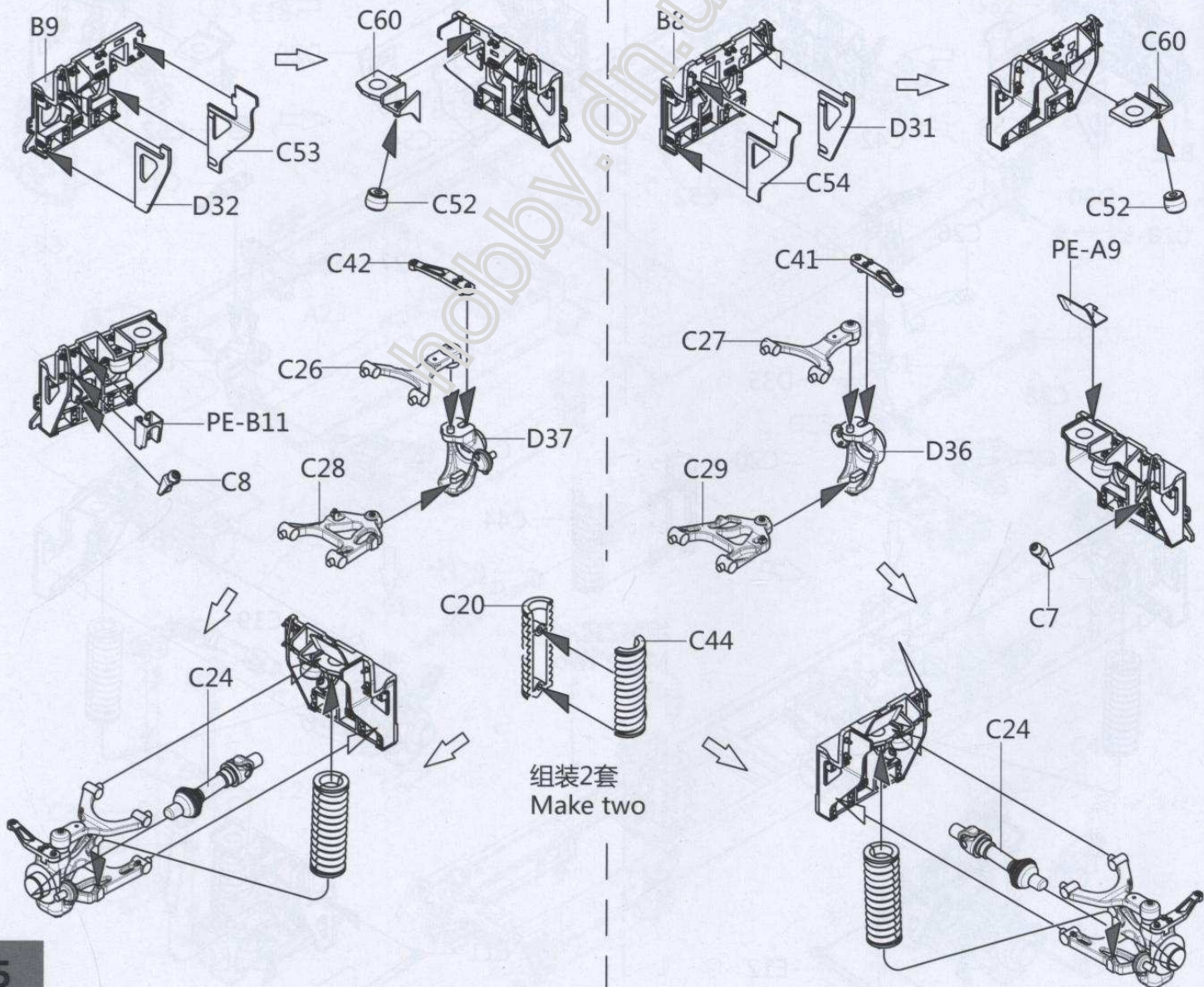
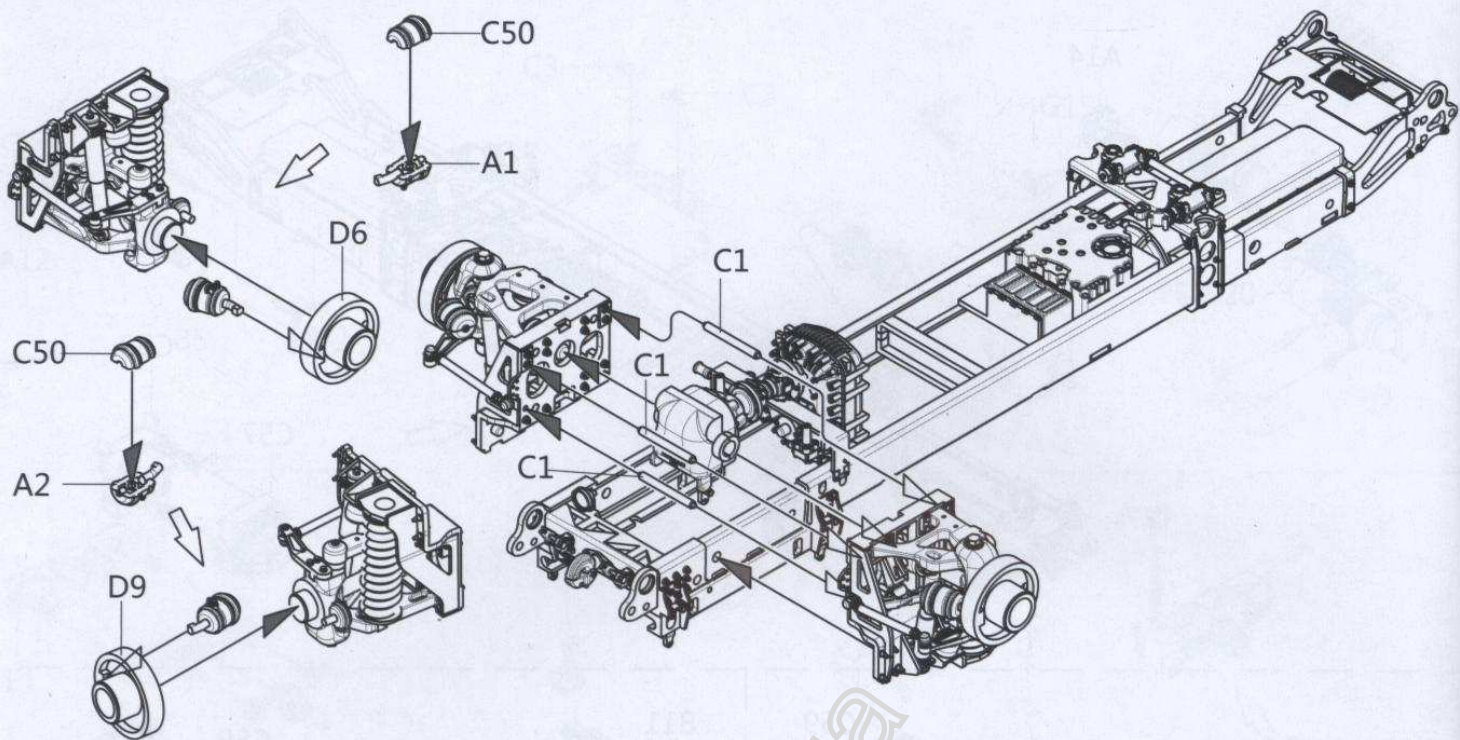


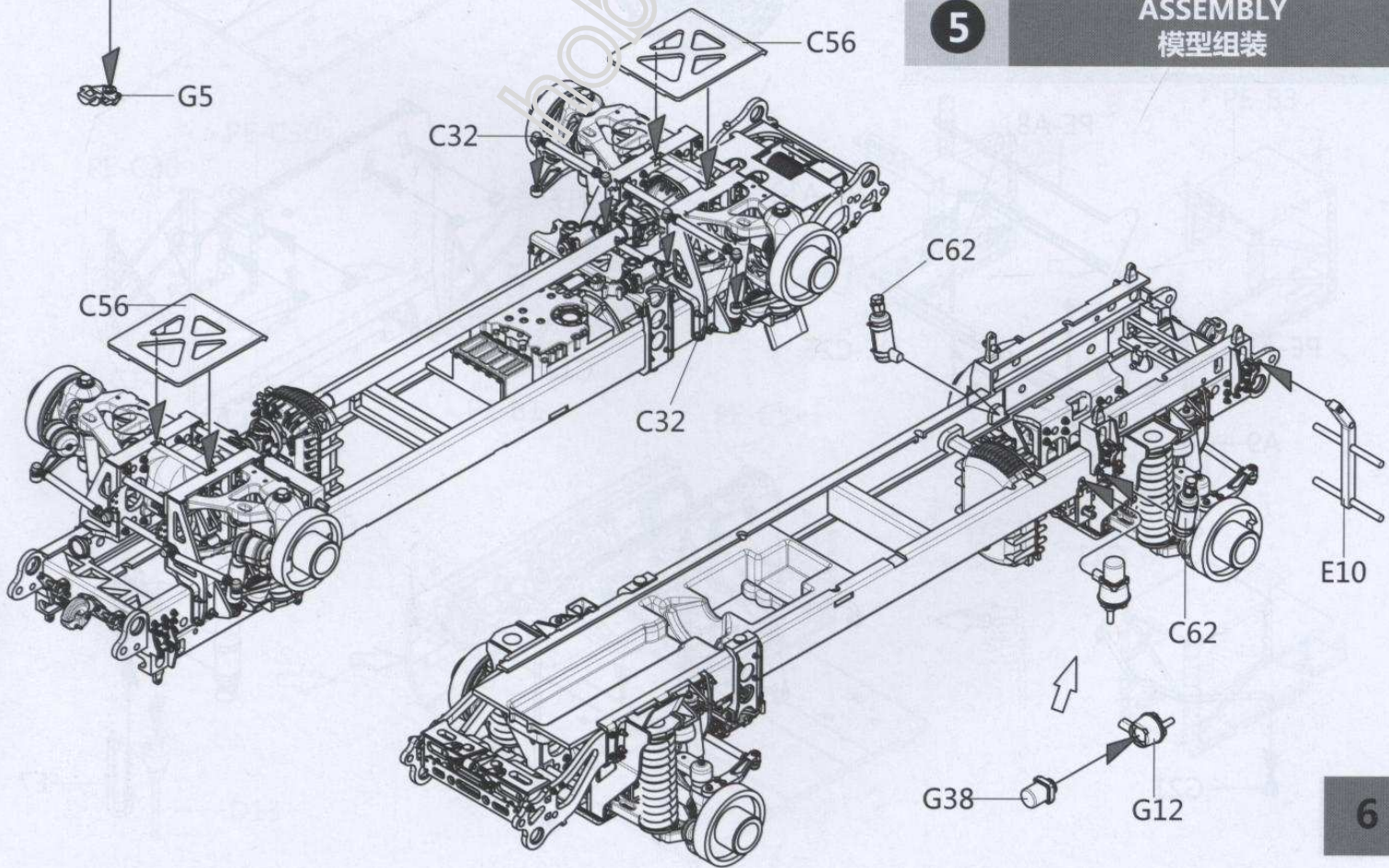
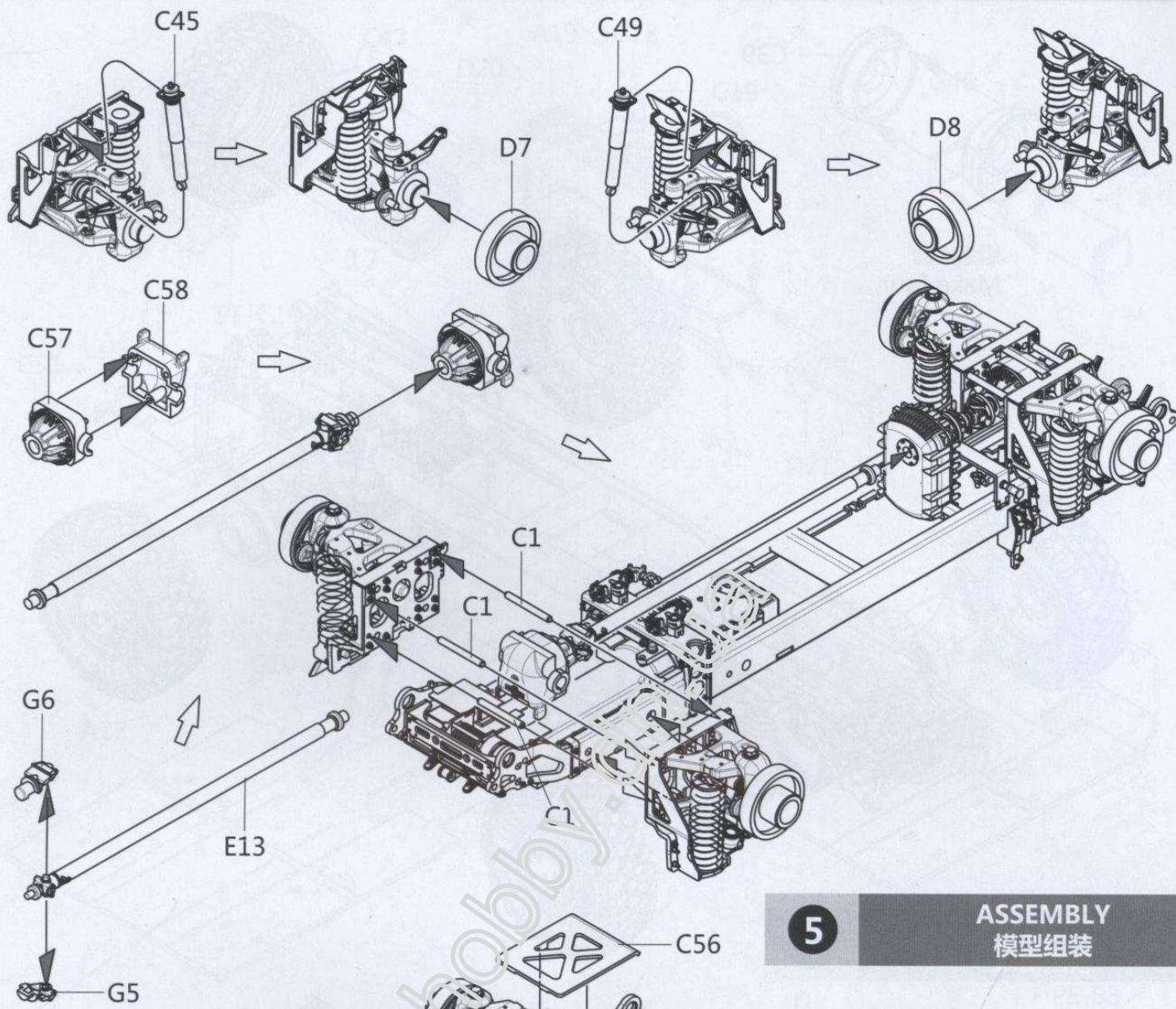


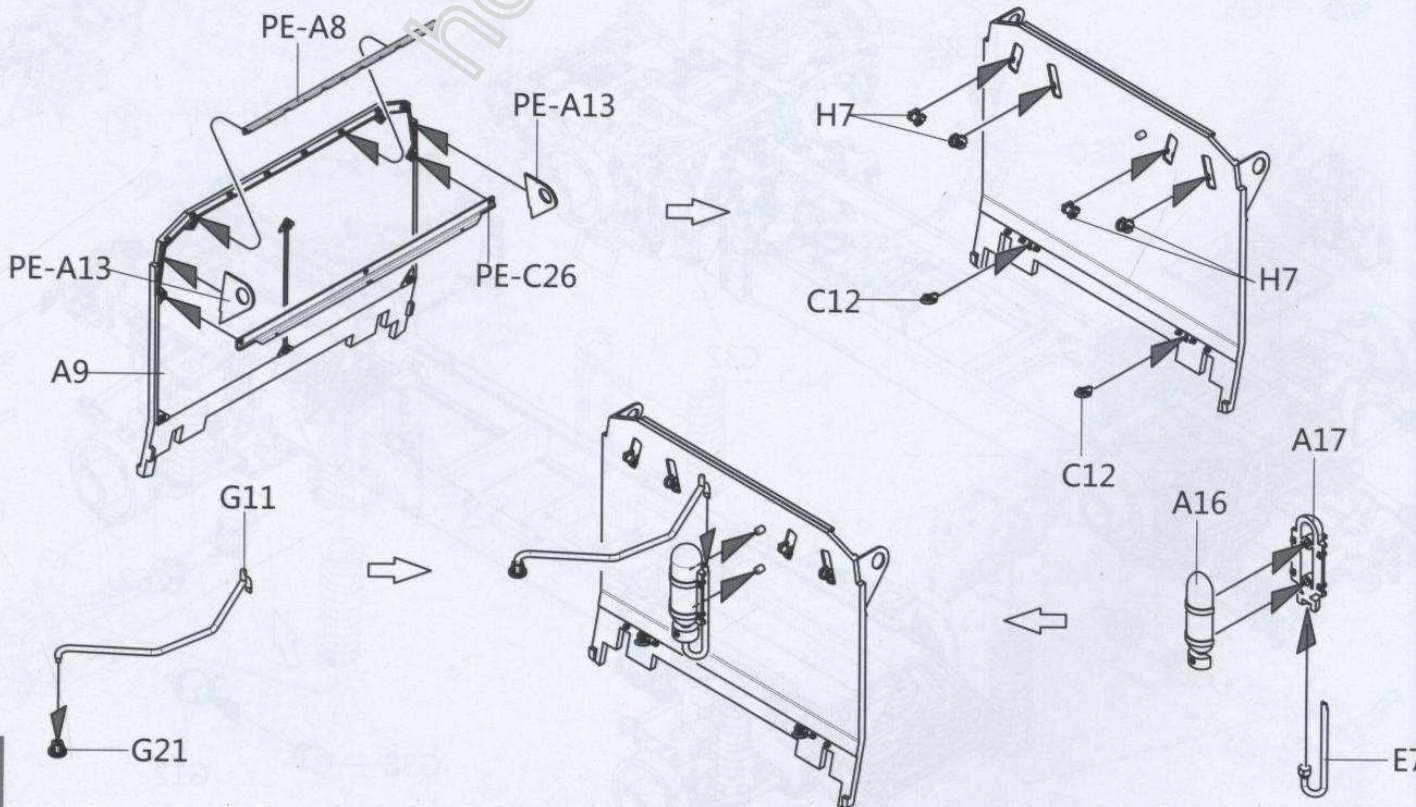
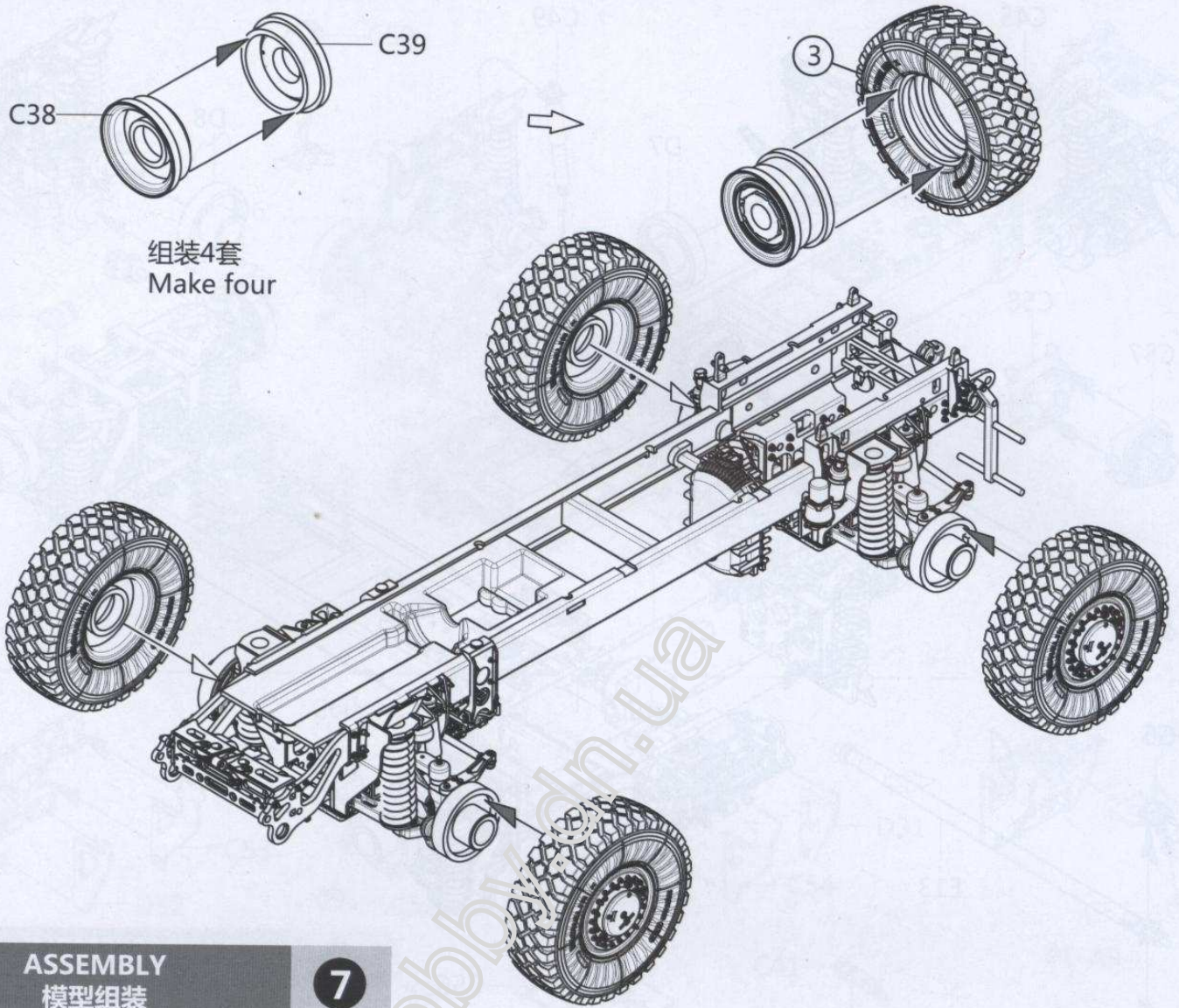


组装2套  
Make two

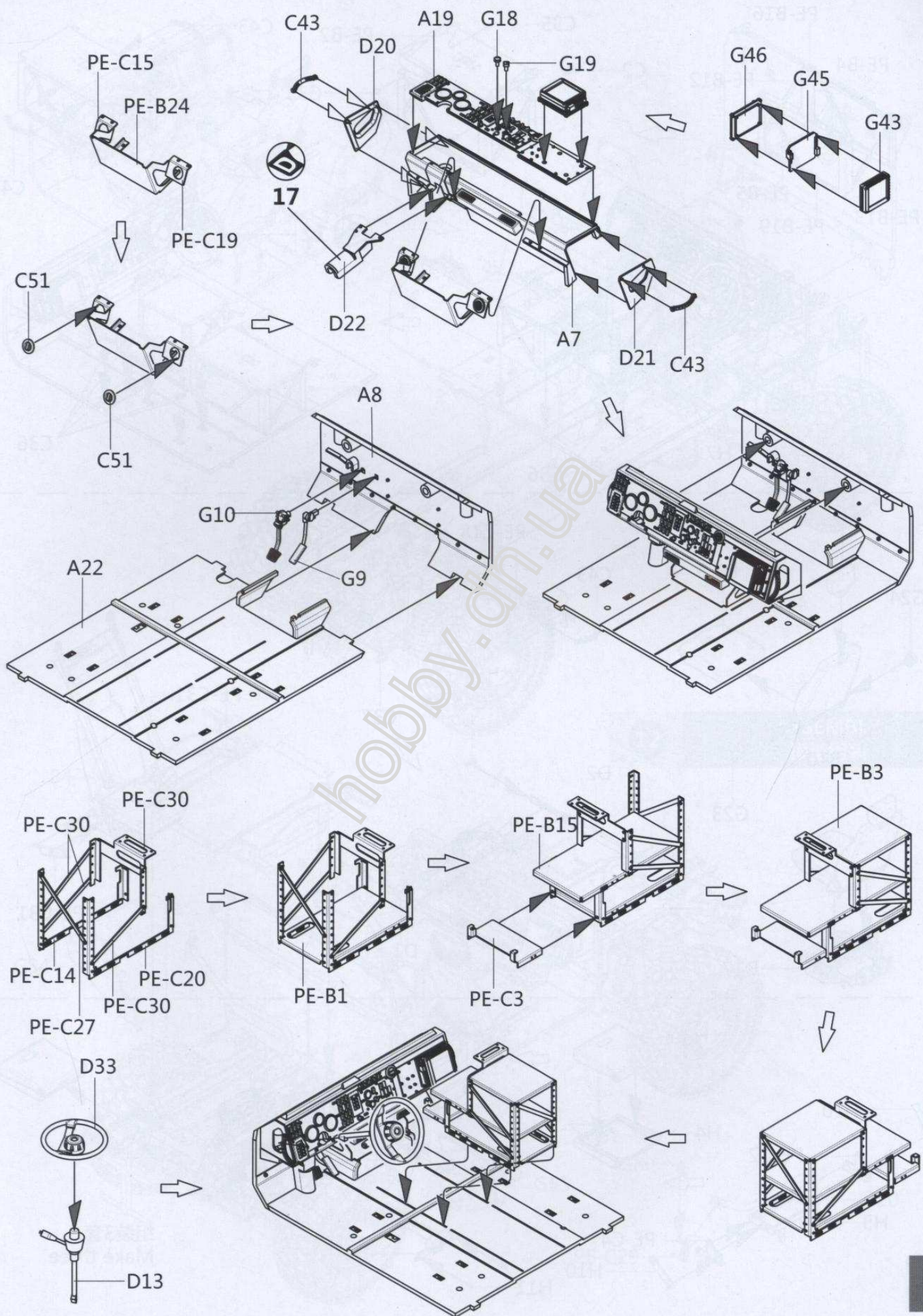


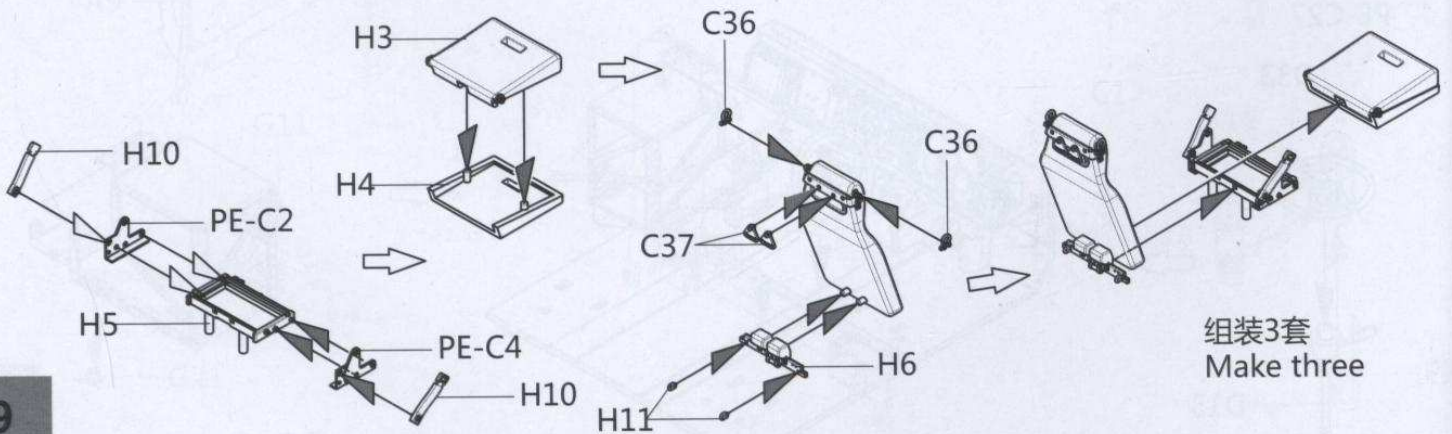
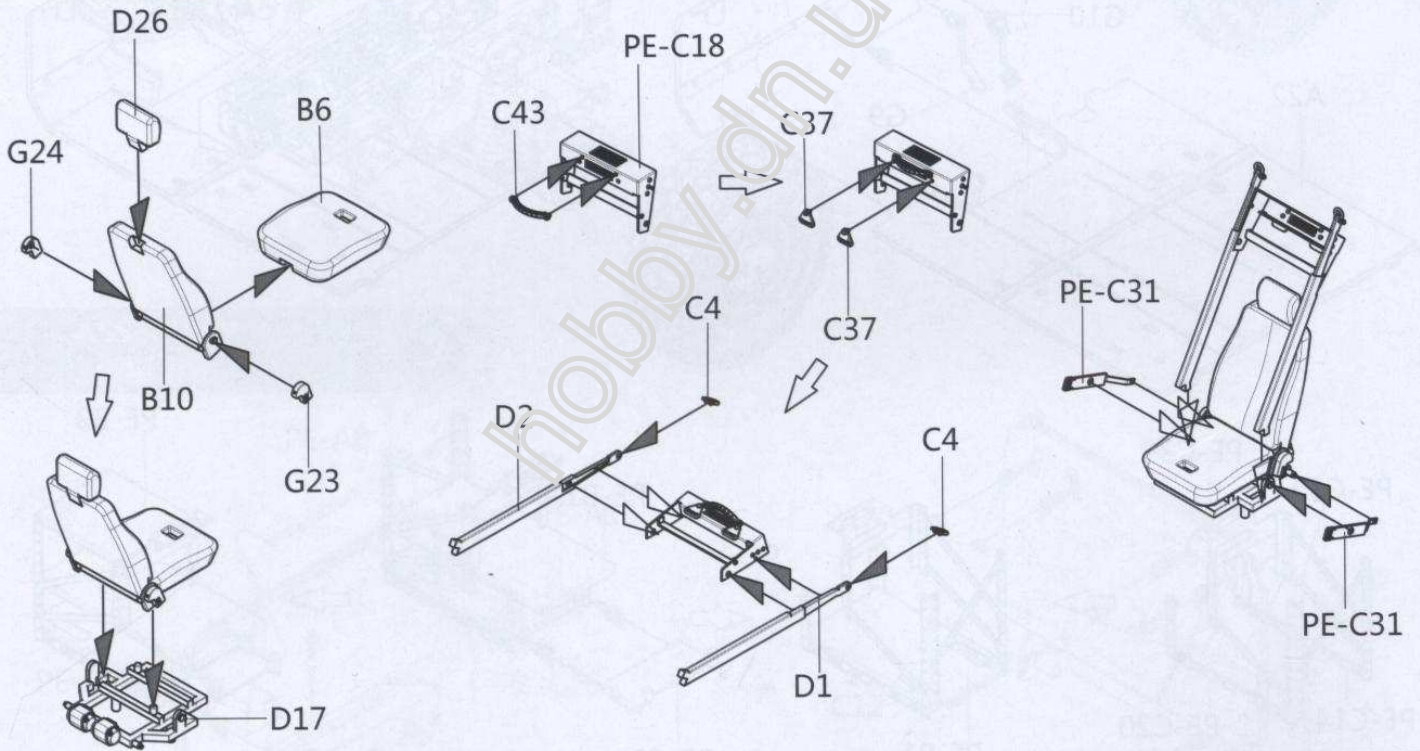
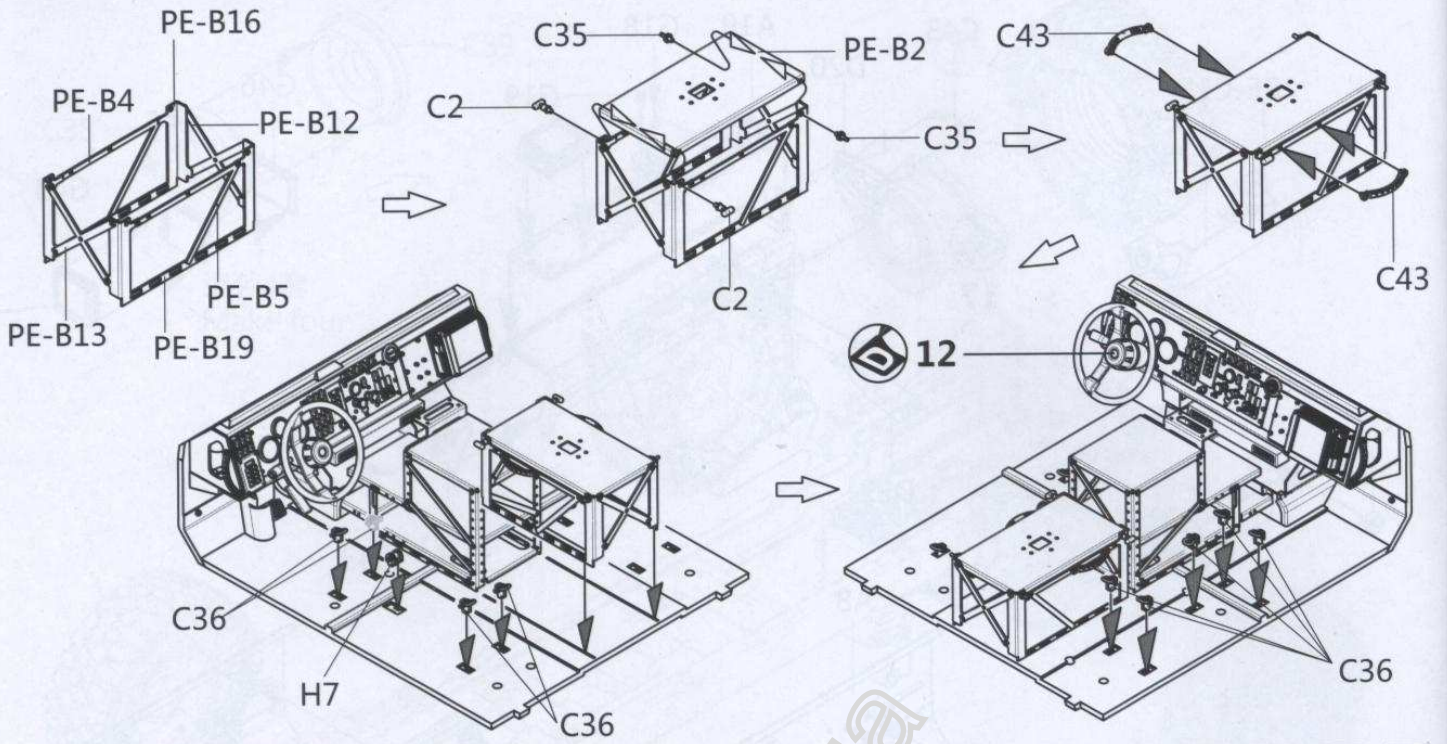


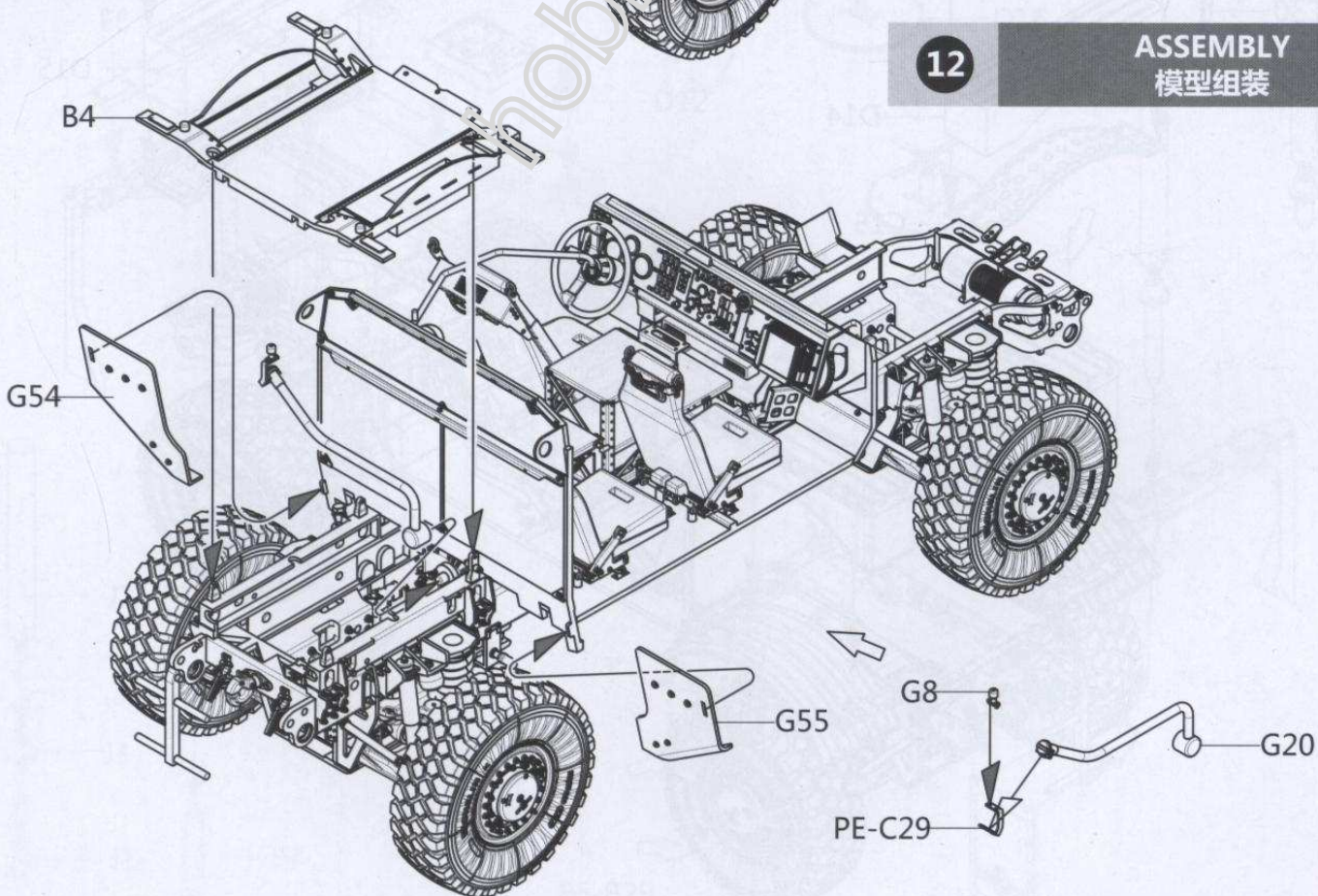
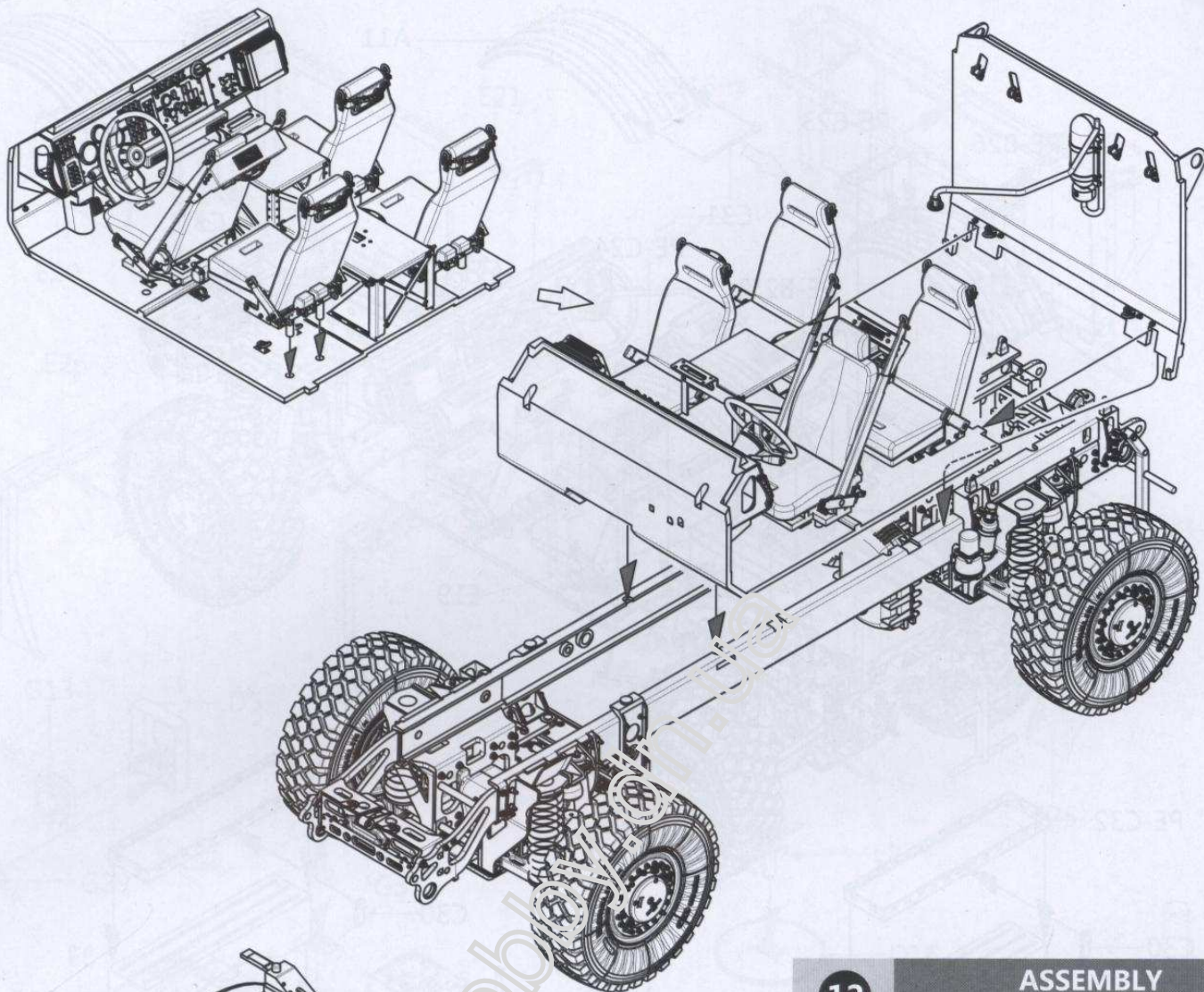


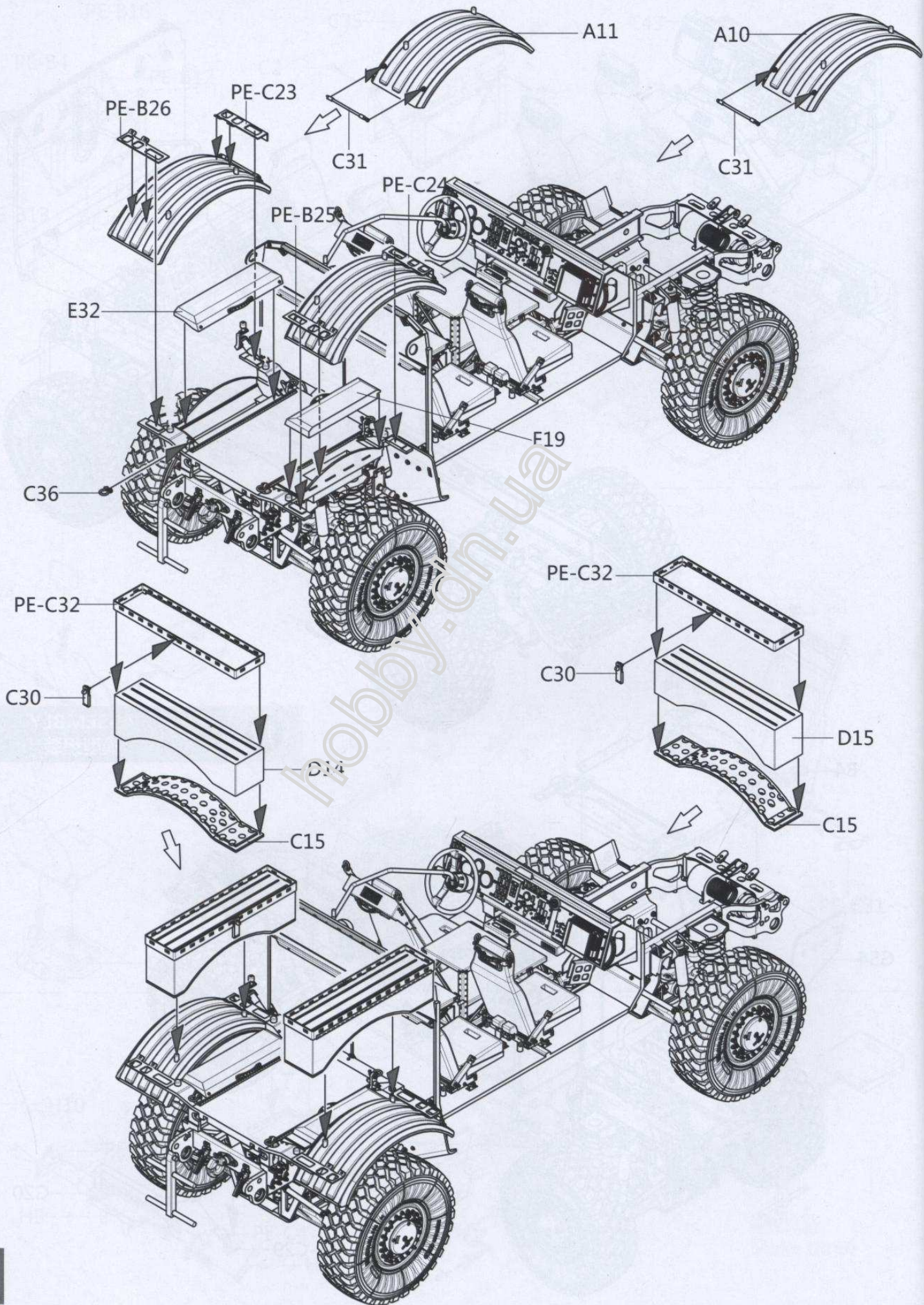


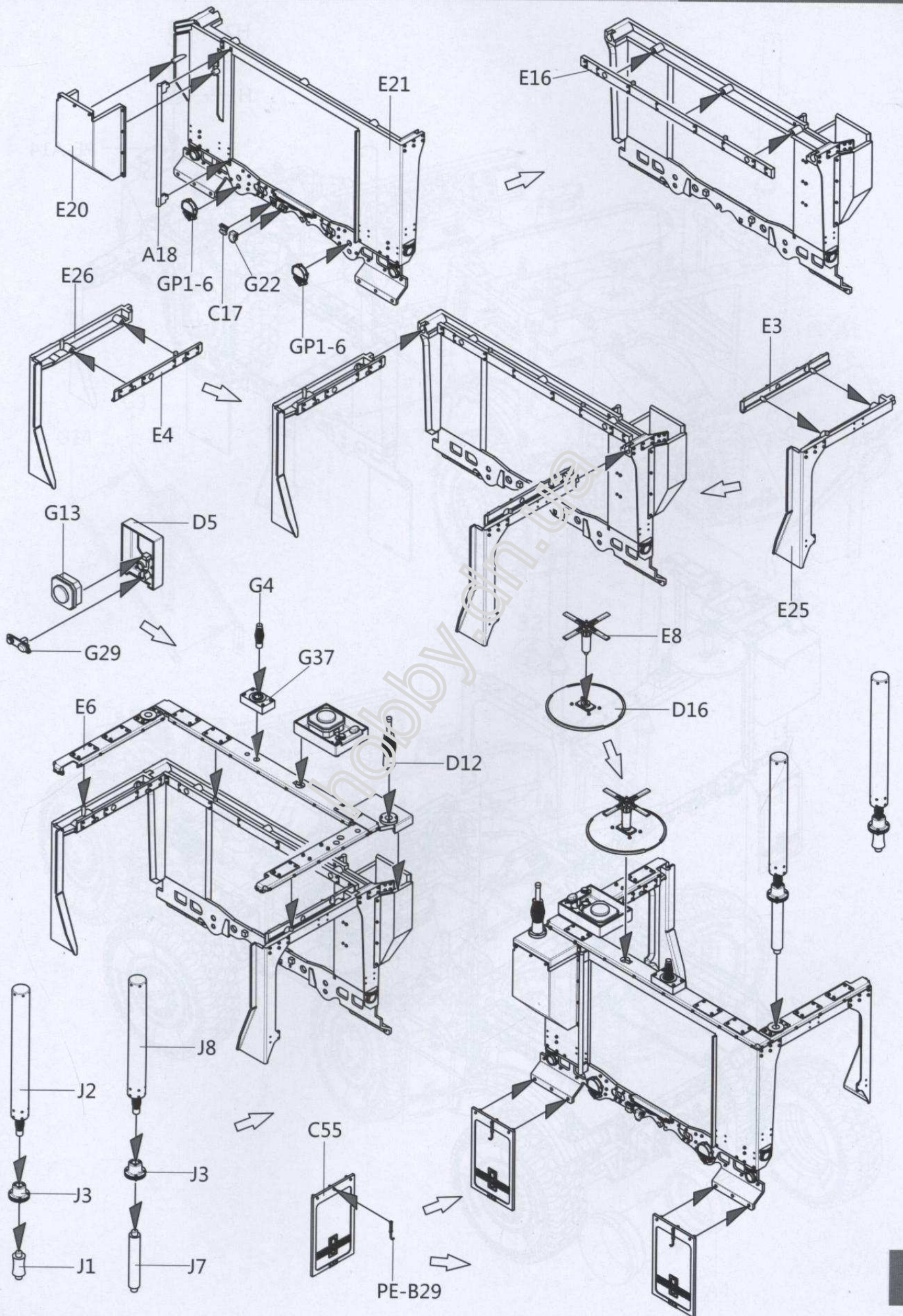


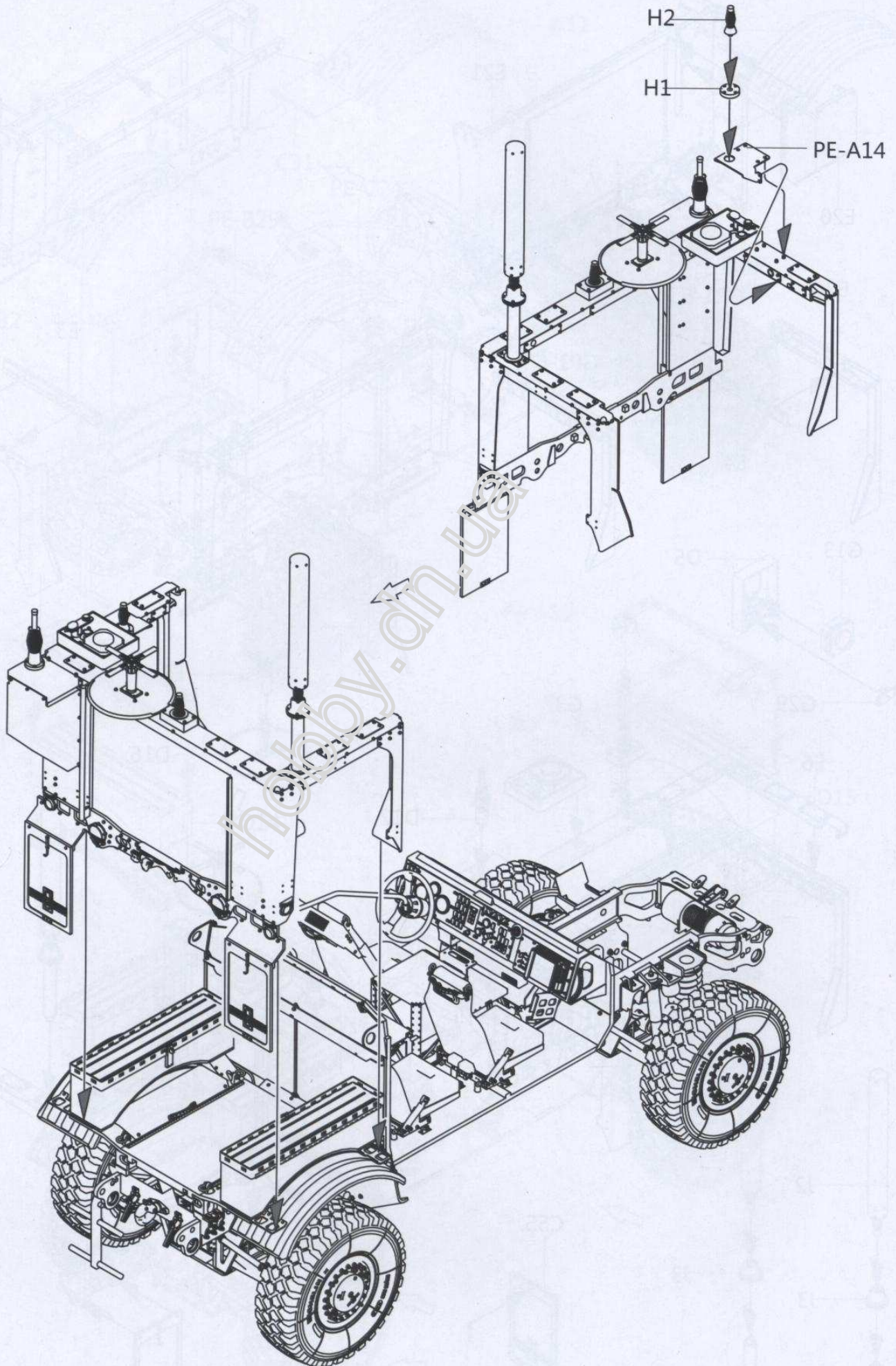


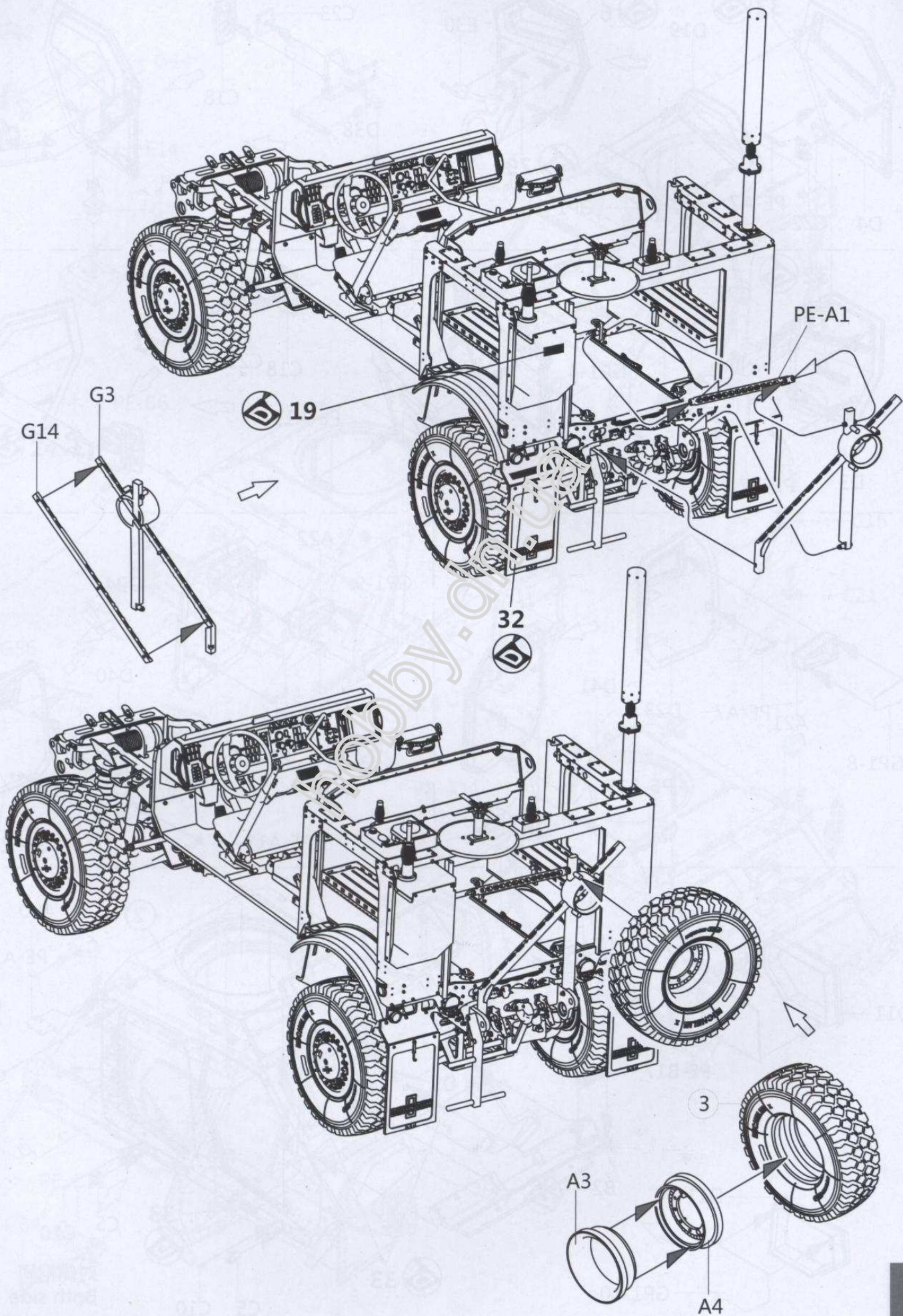


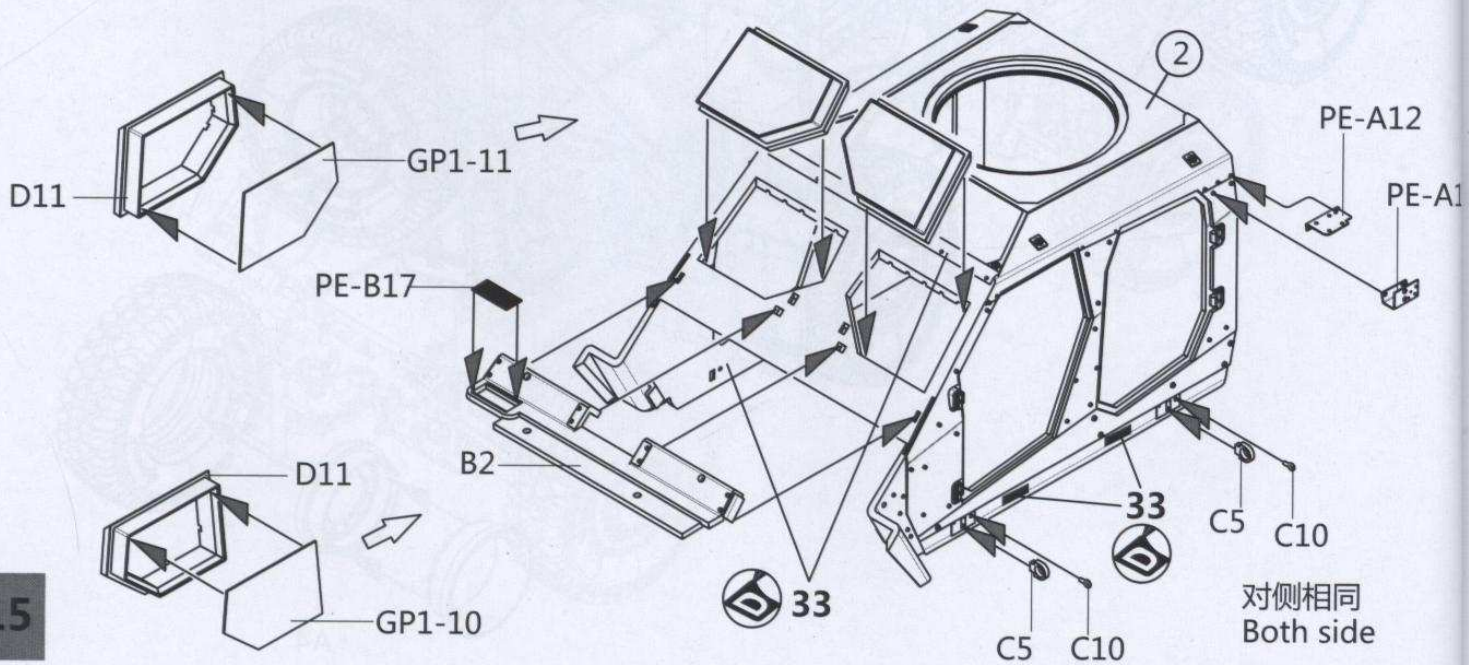
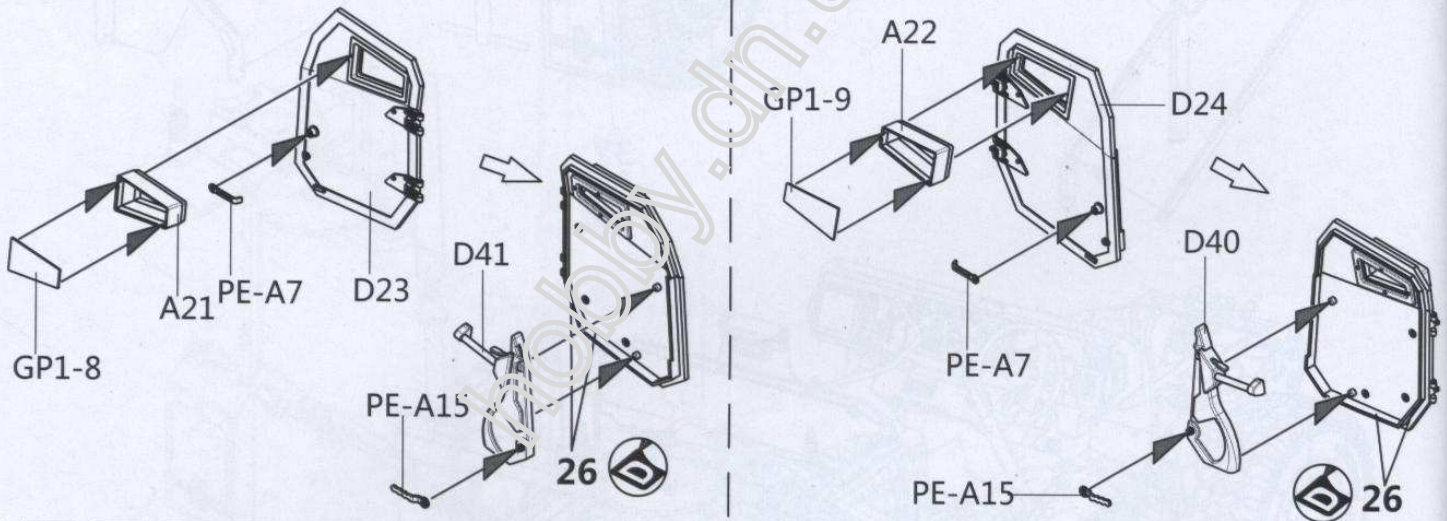
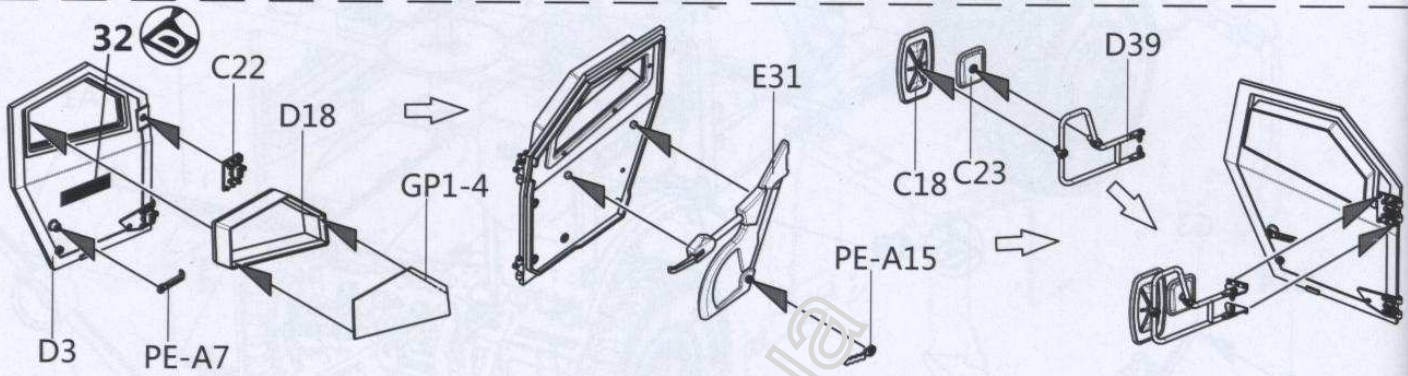
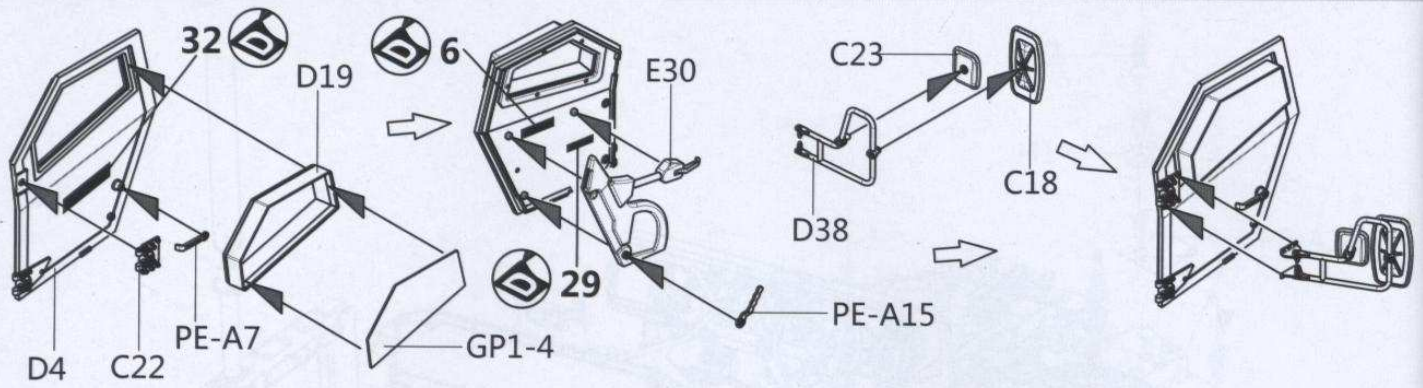




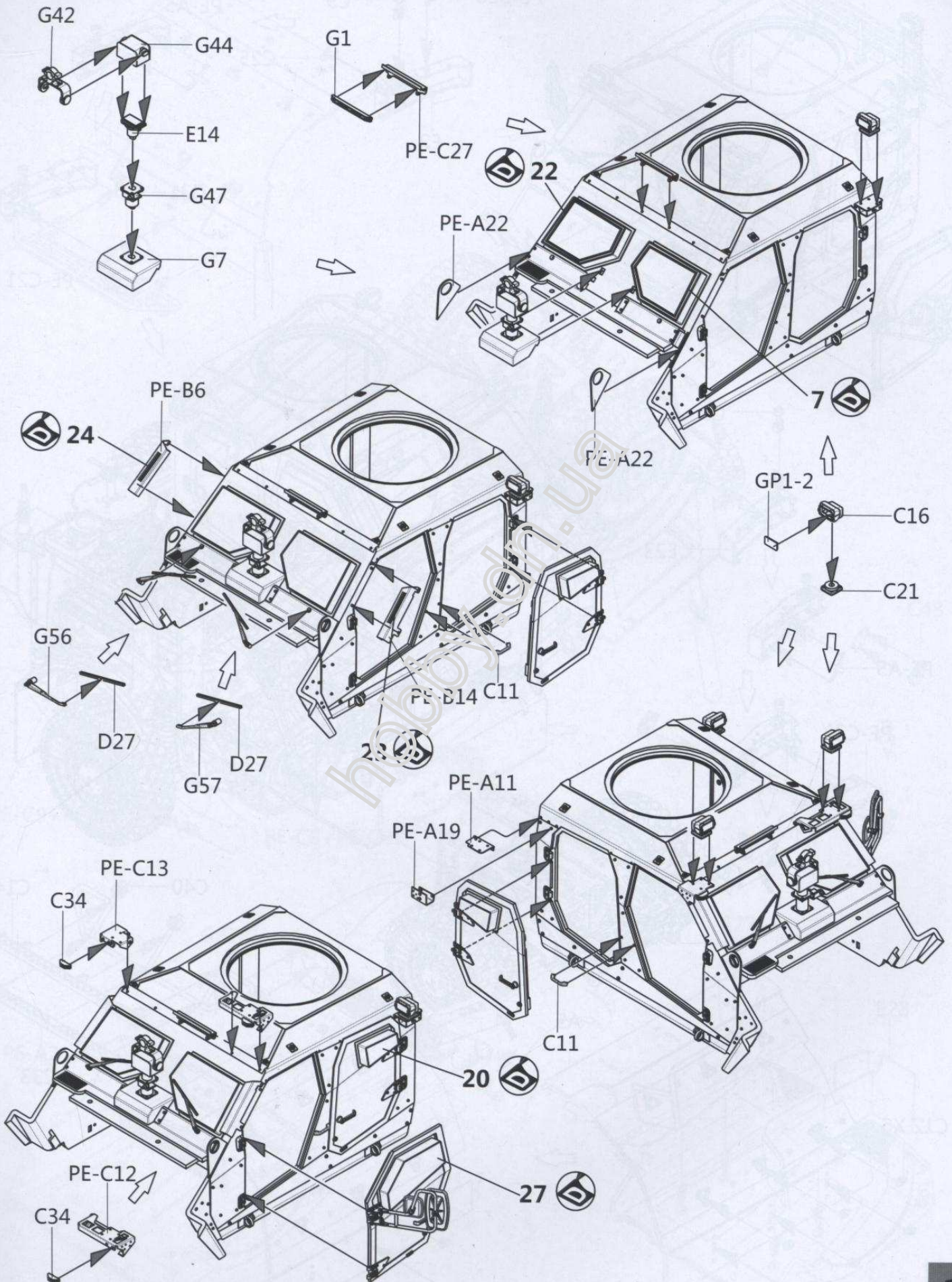


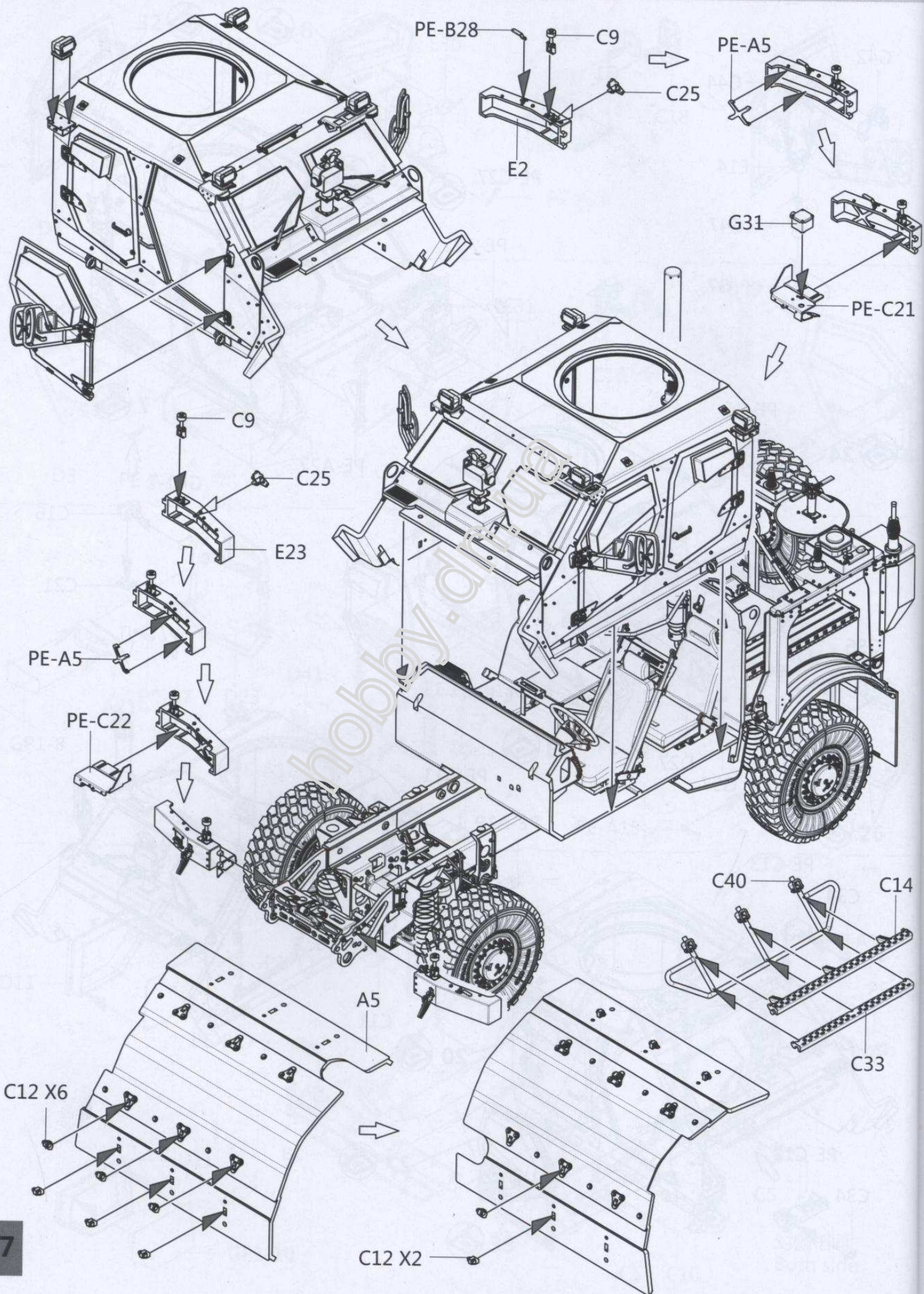


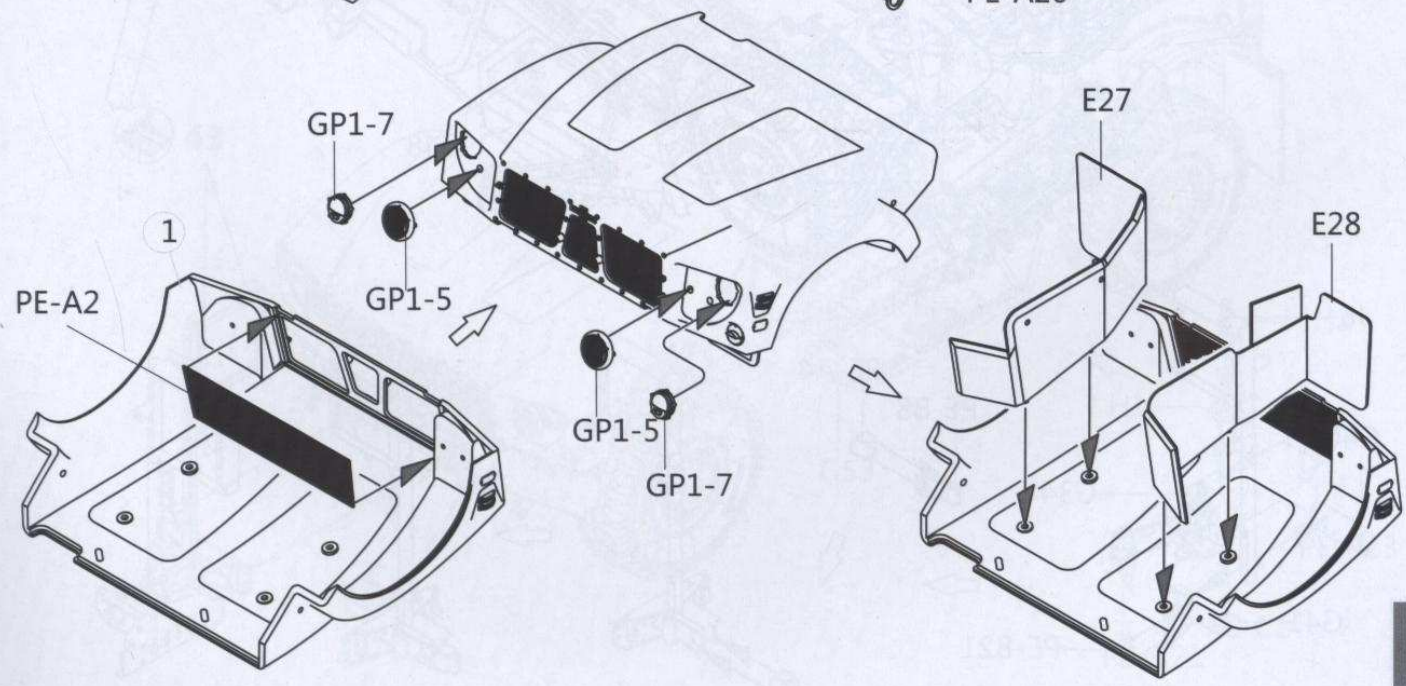
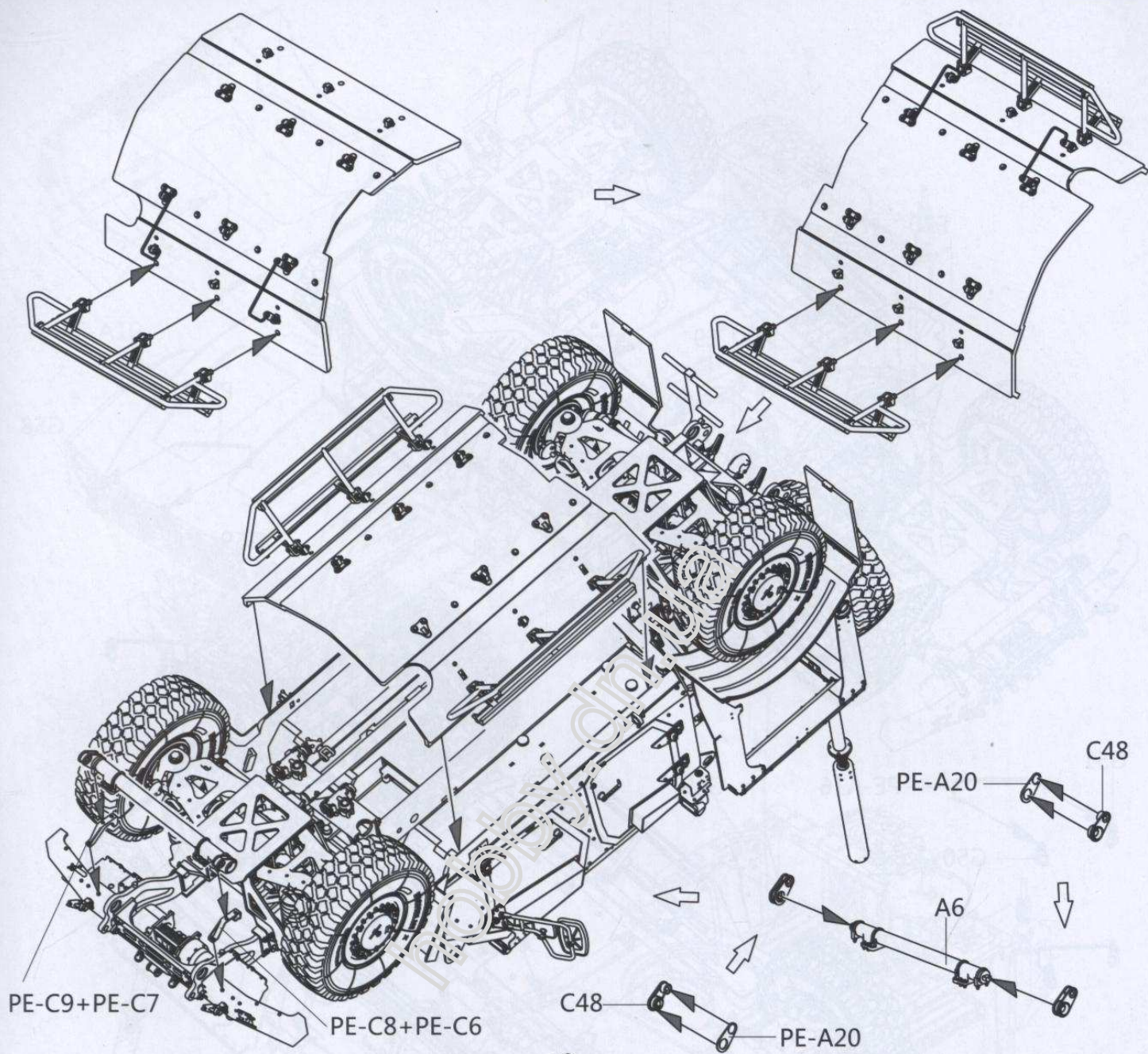


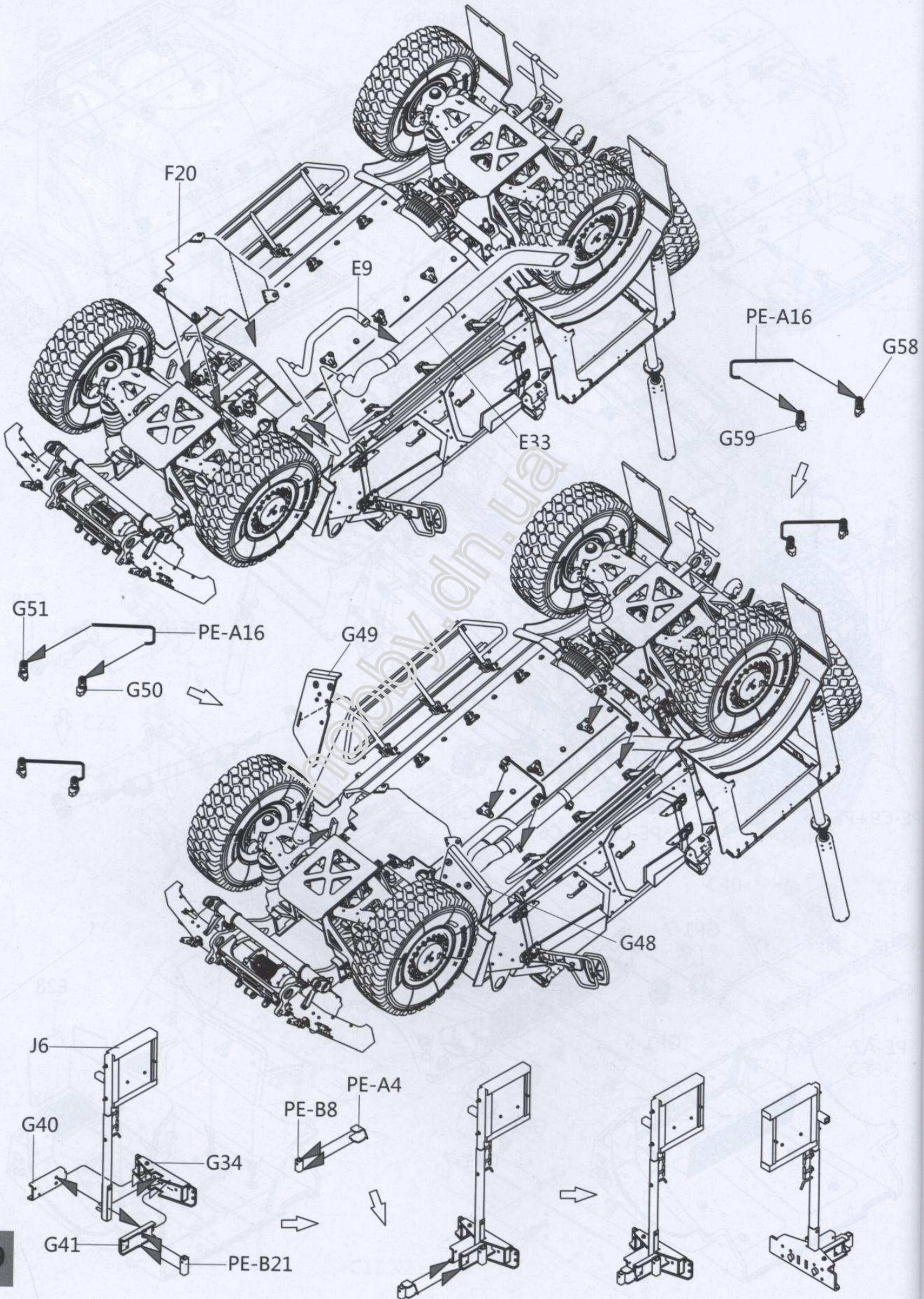


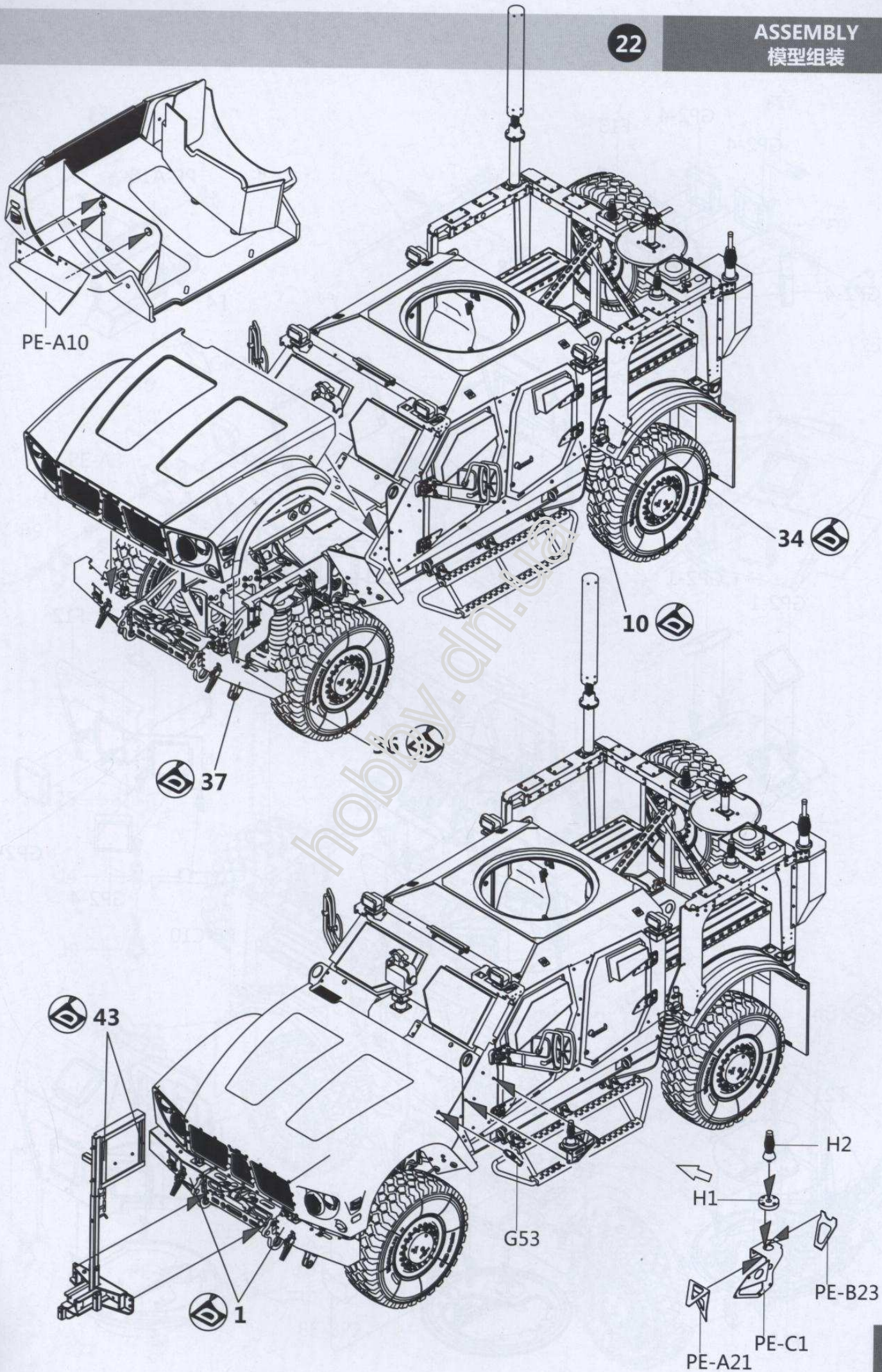


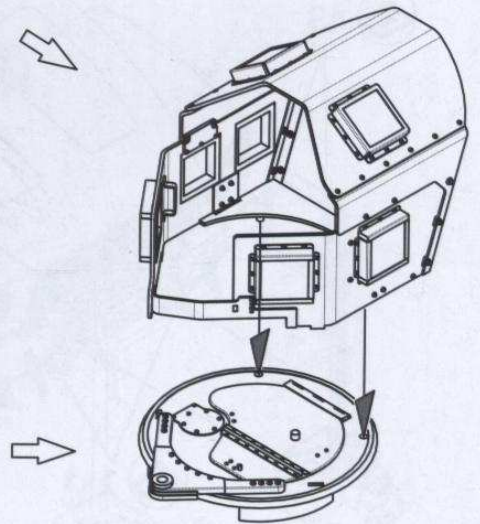
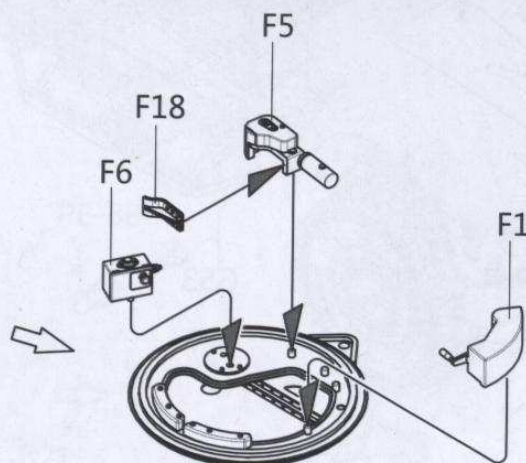
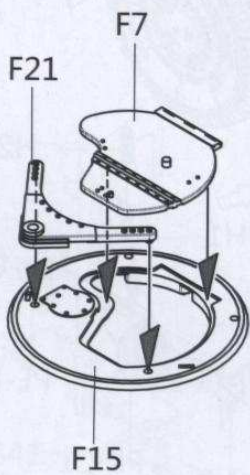
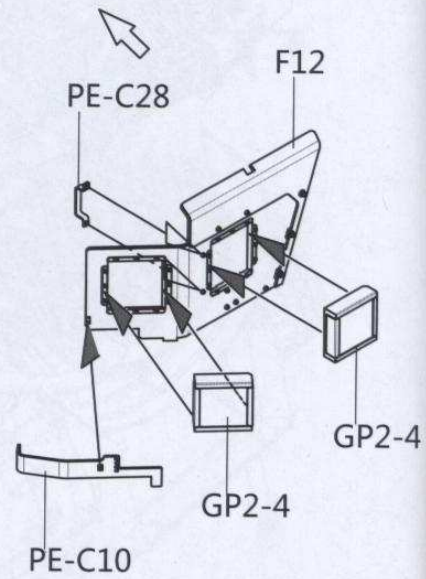
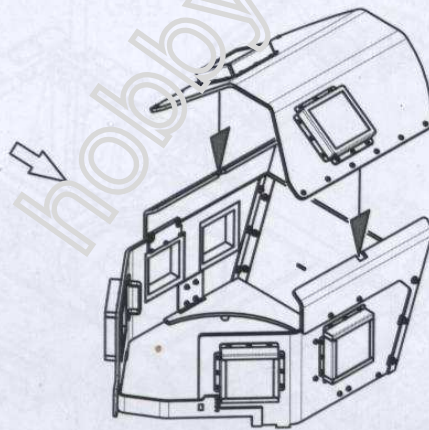
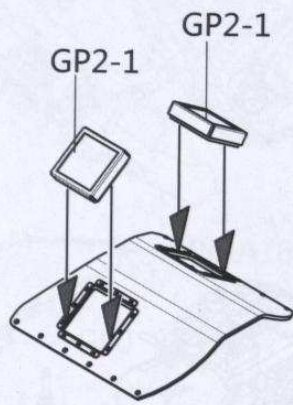
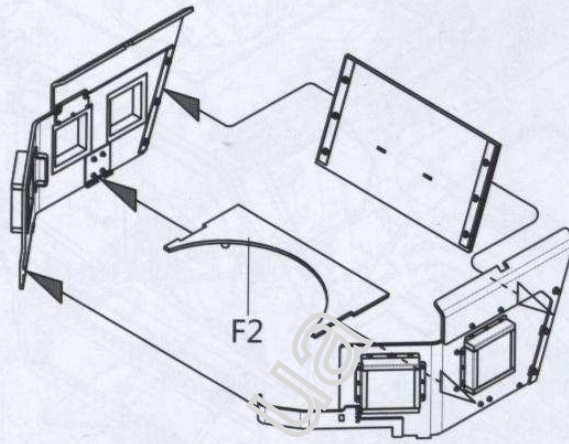
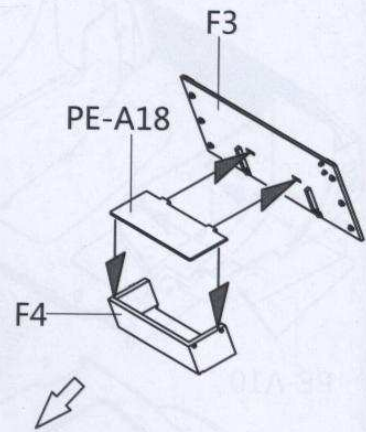
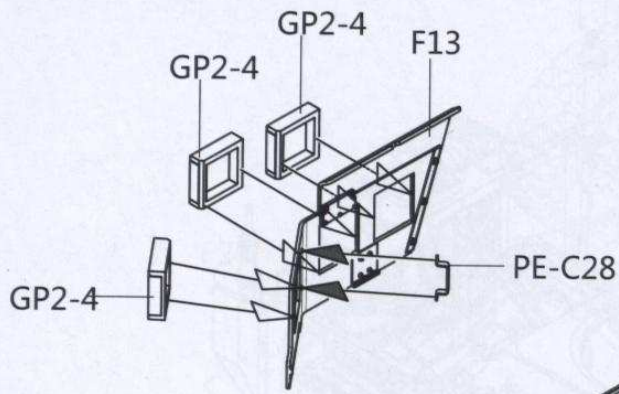


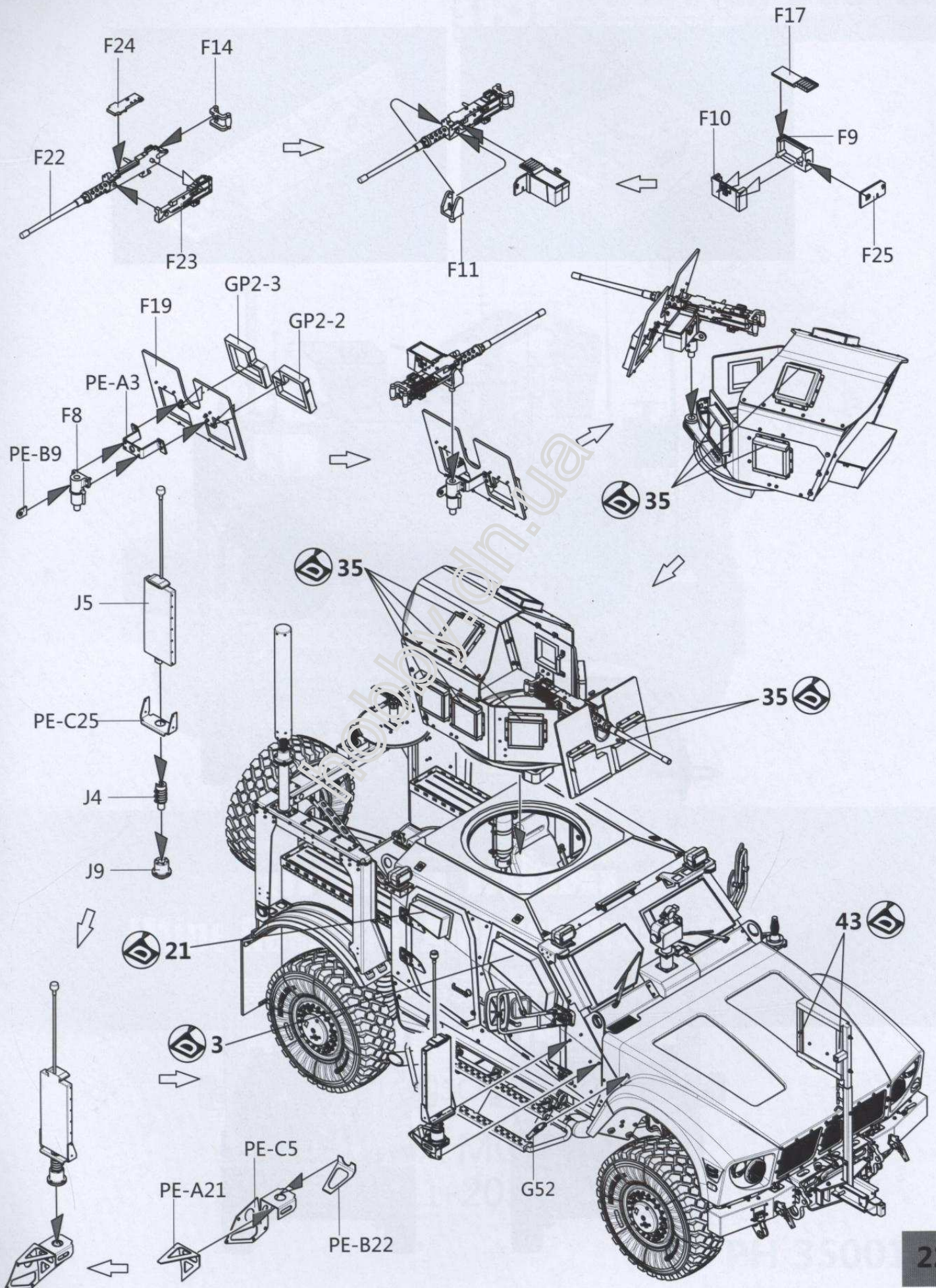












DECAL AND COLOR  
涂装与水贴指示

