

# Pz.Kpfw.VI Ausf. C / B 2 in 1 (VK36.01)

RS-3001 1:35 SCALE w/ Interior

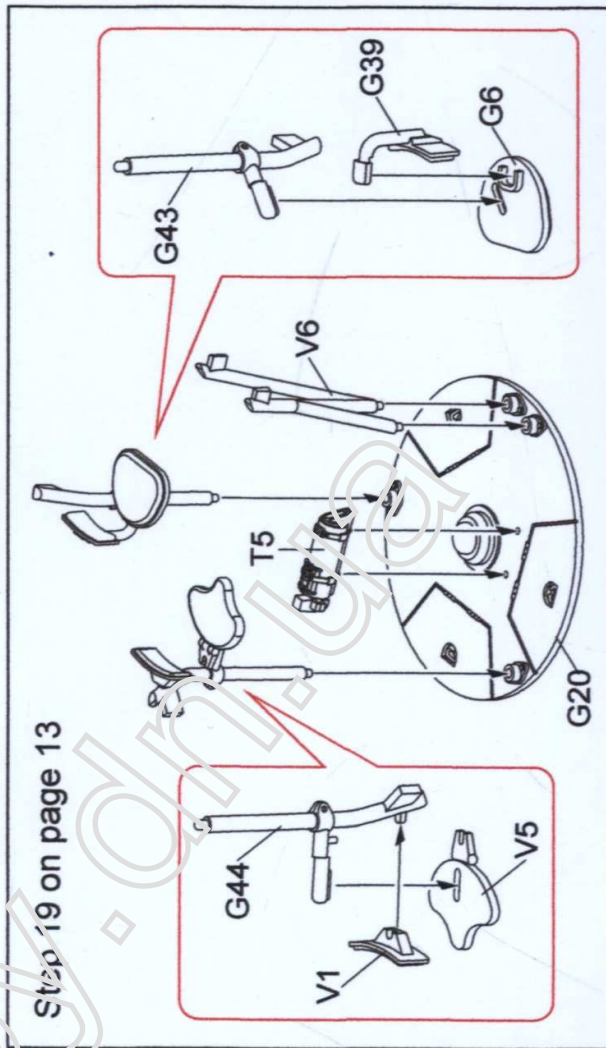
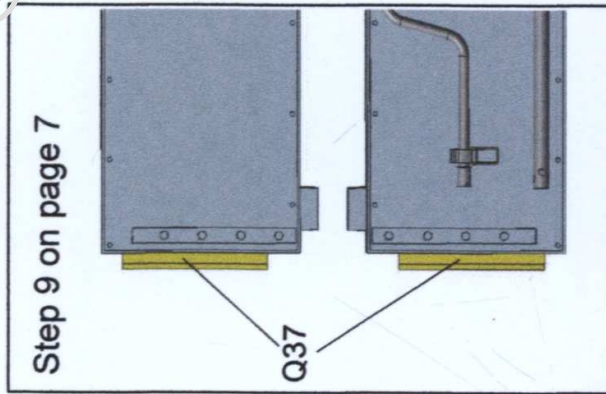
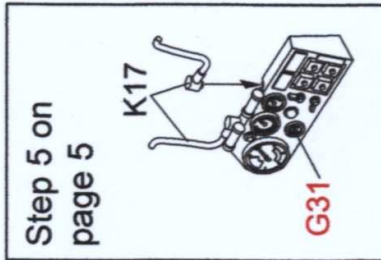
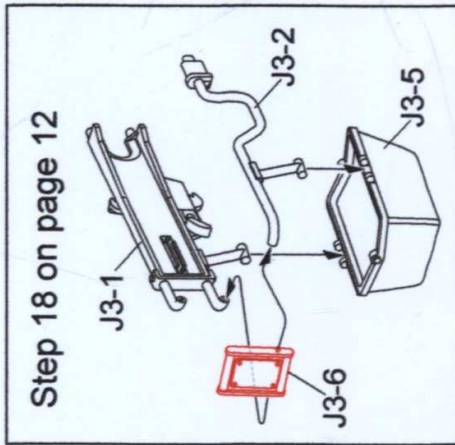
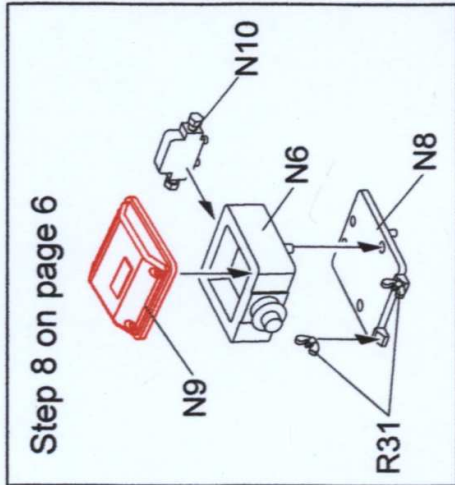
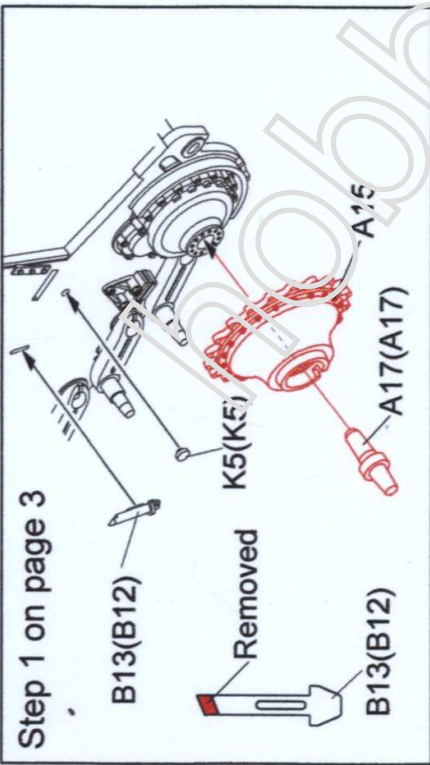
hobby.oh.ua



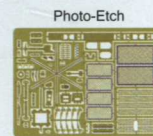
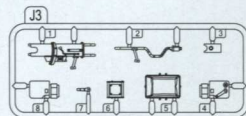
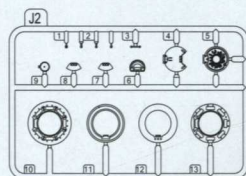
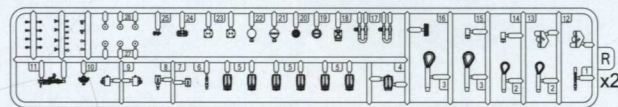
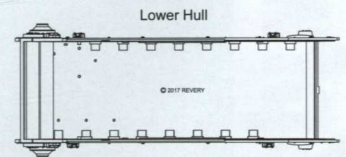
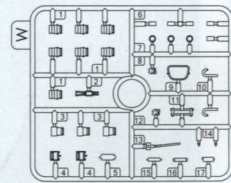
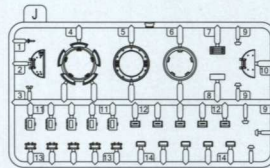
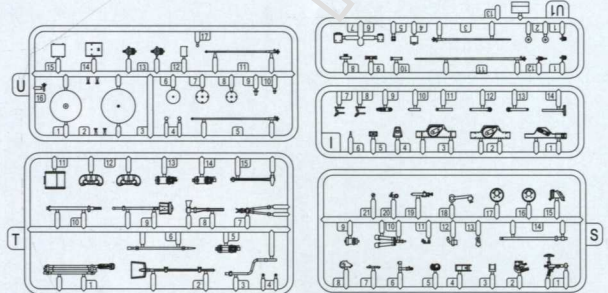
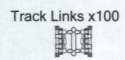
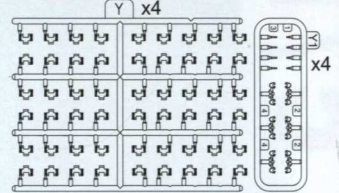
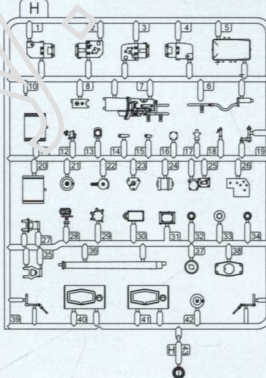
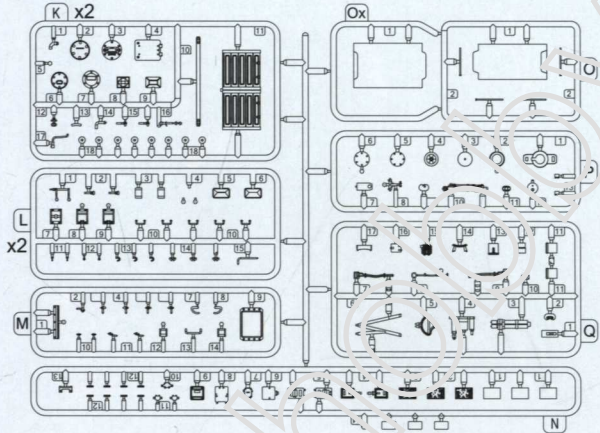
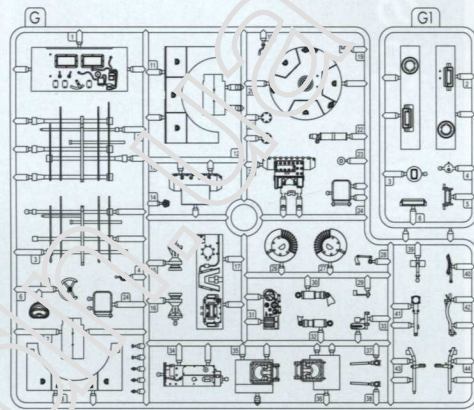
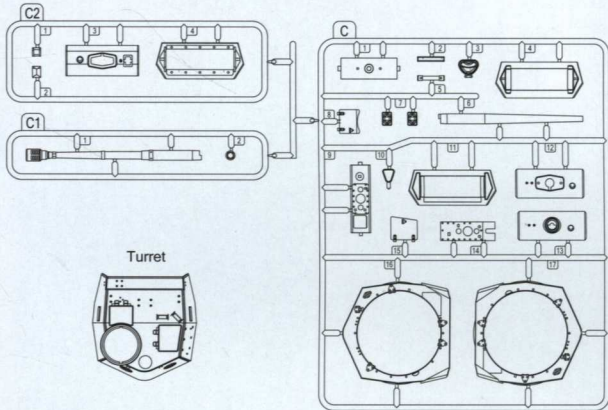
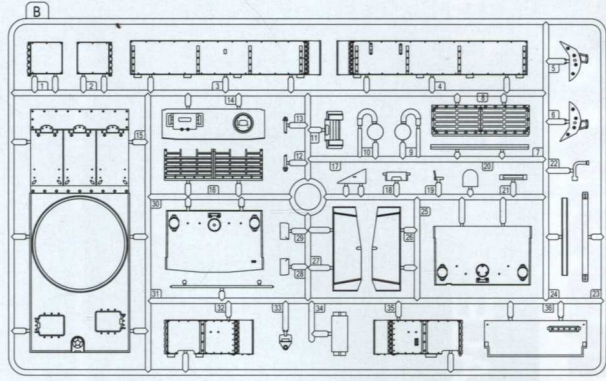
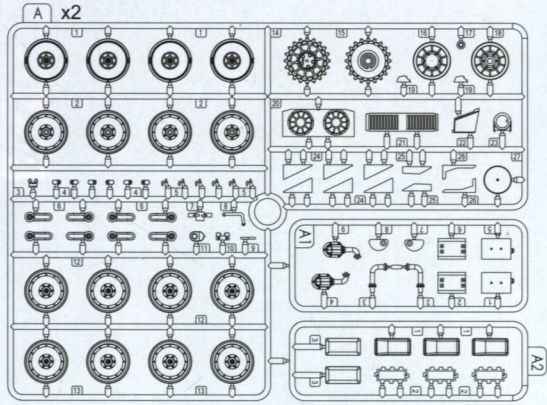
REVOSYS



# Correction of the instructions

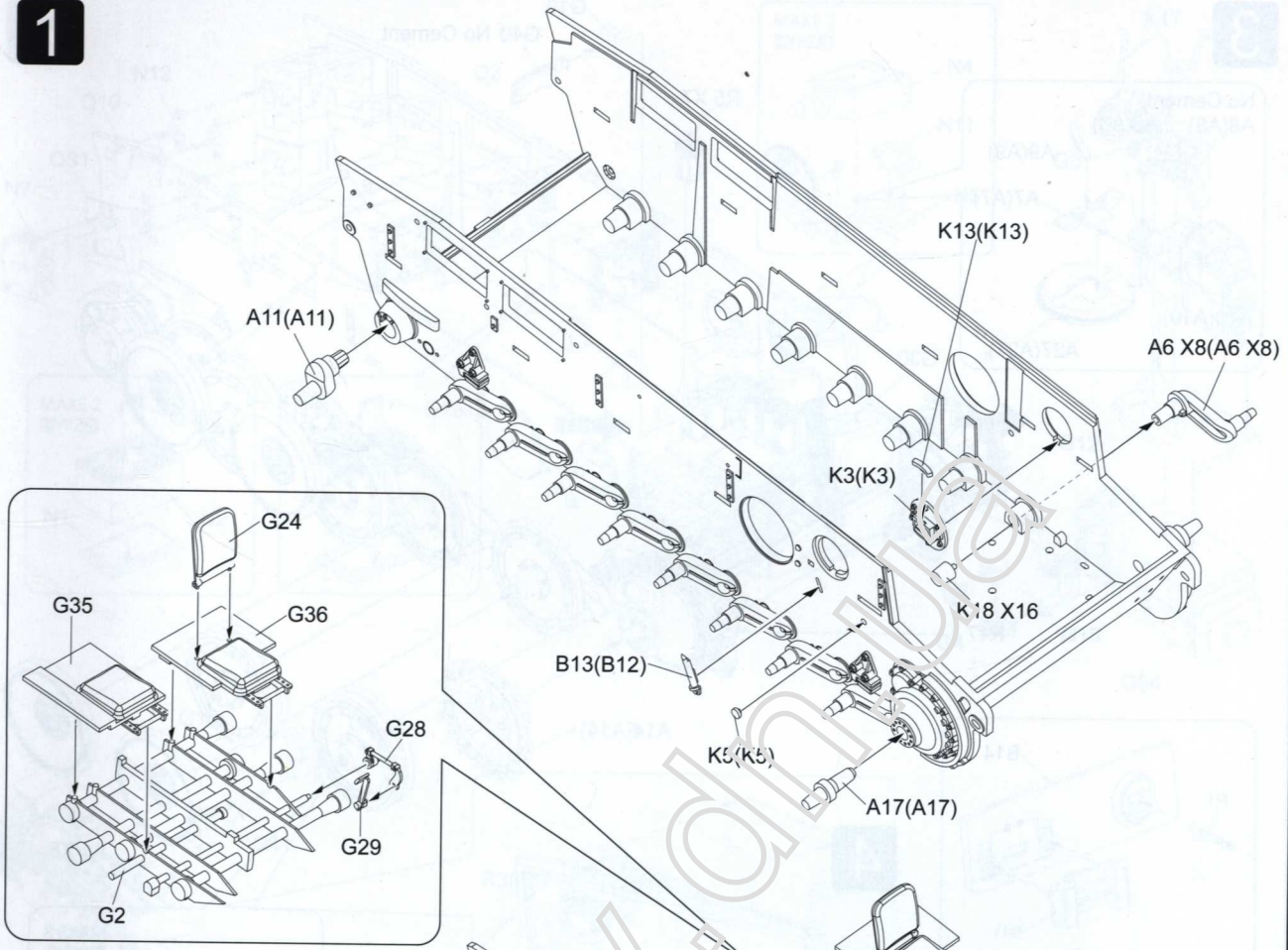




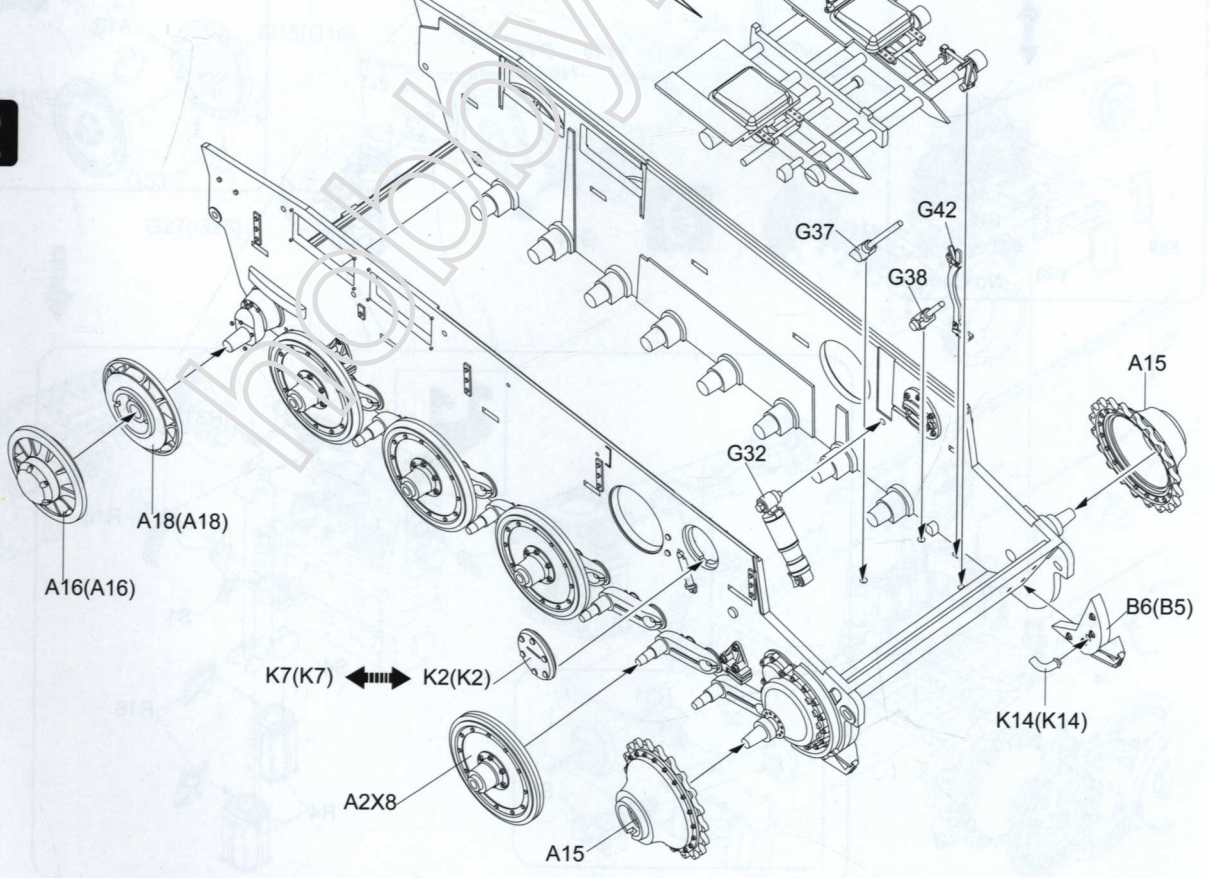




1

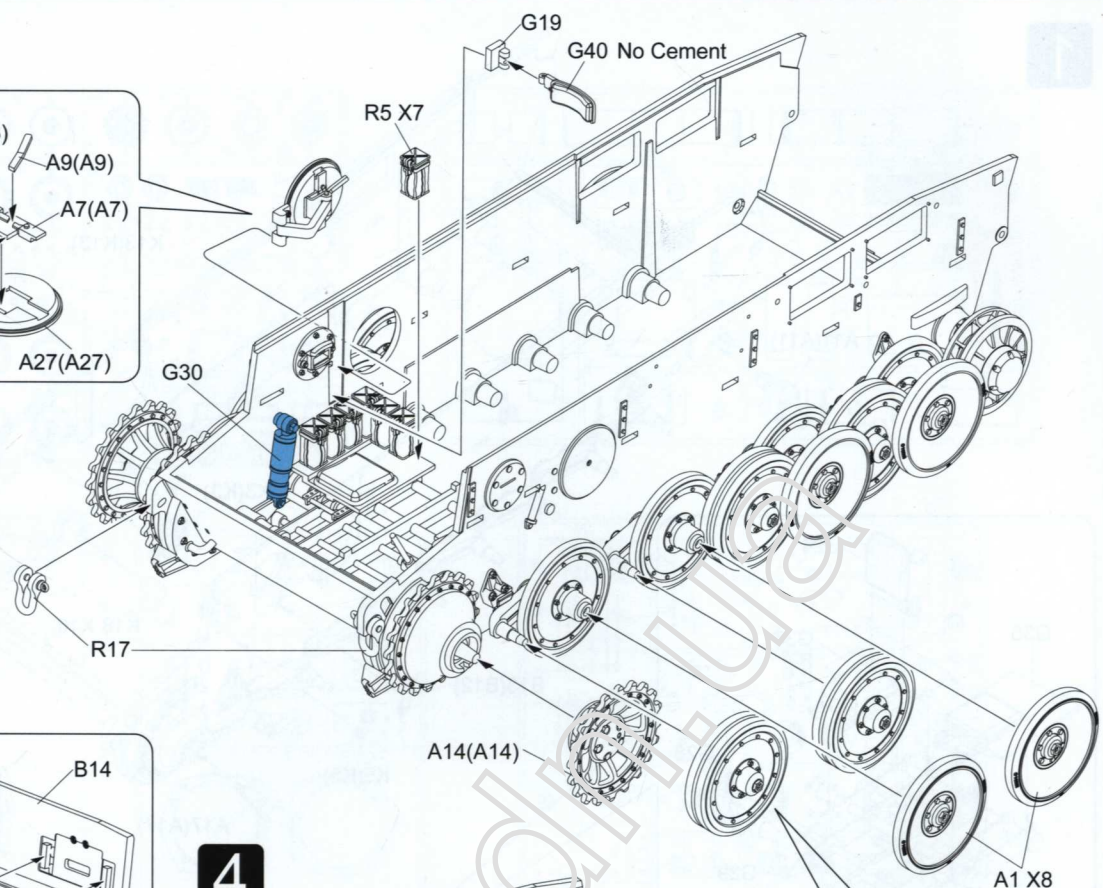
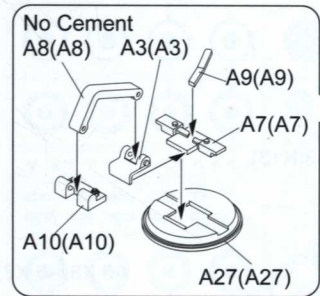


2

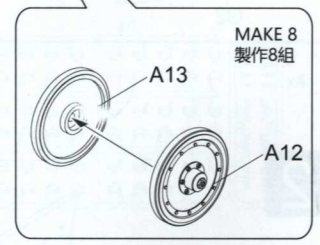
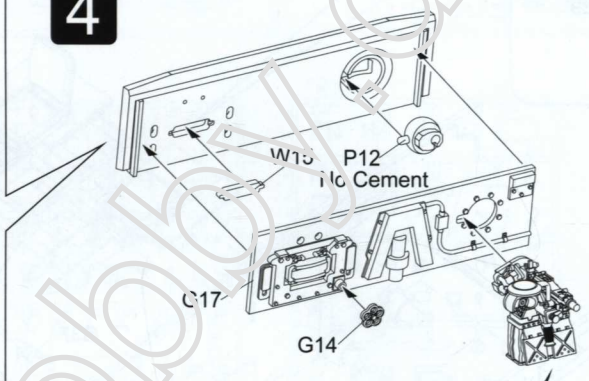
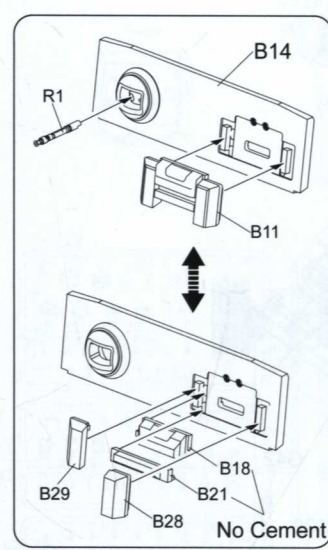




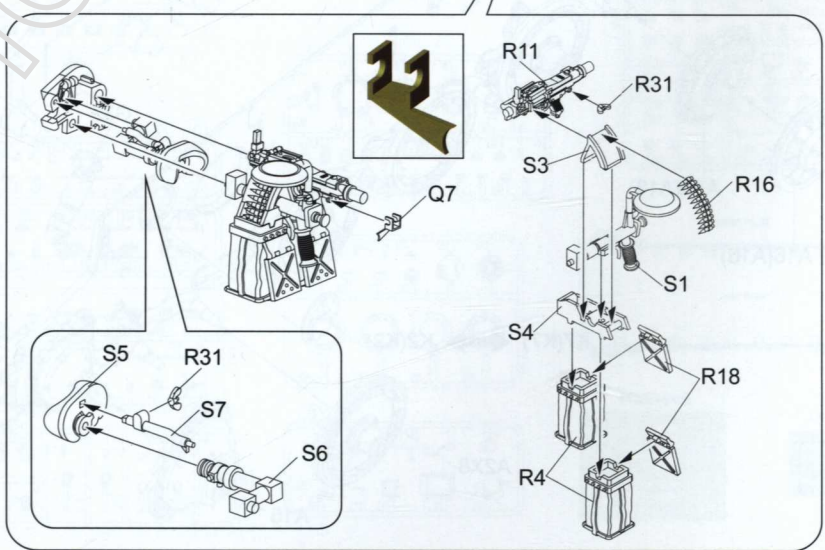
# 3



# 4

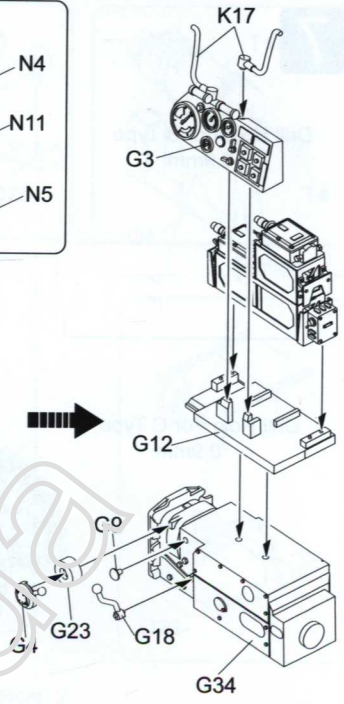
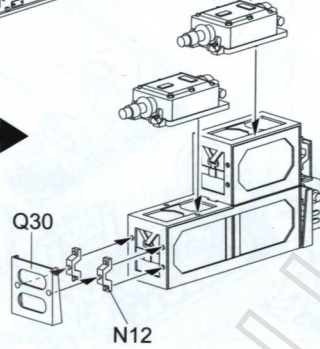
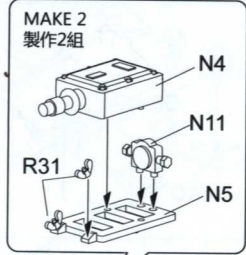
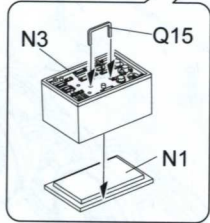
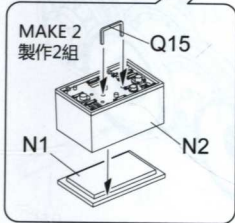
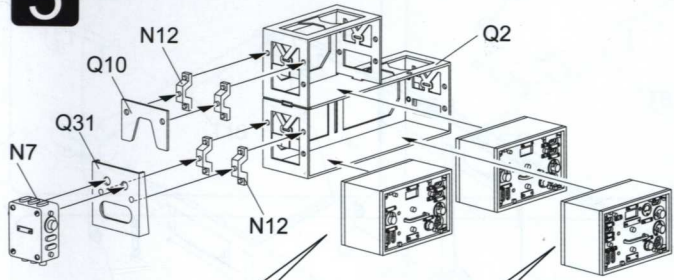


# 11

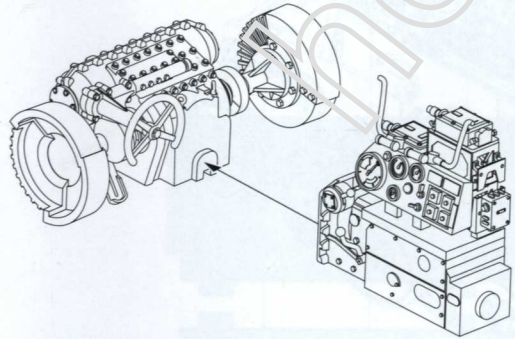
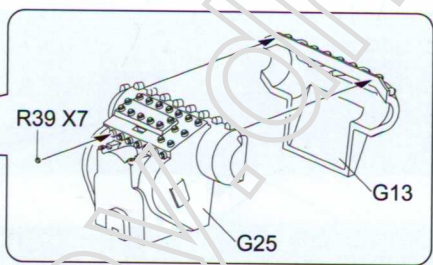
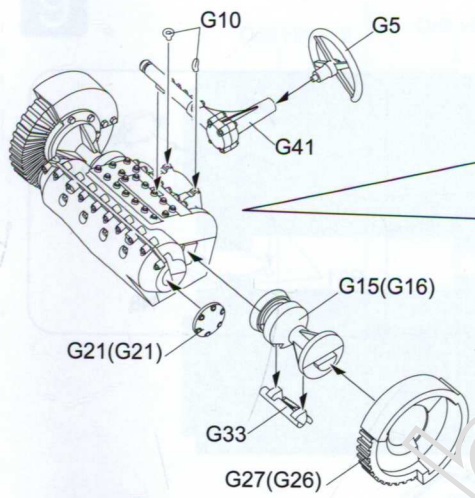




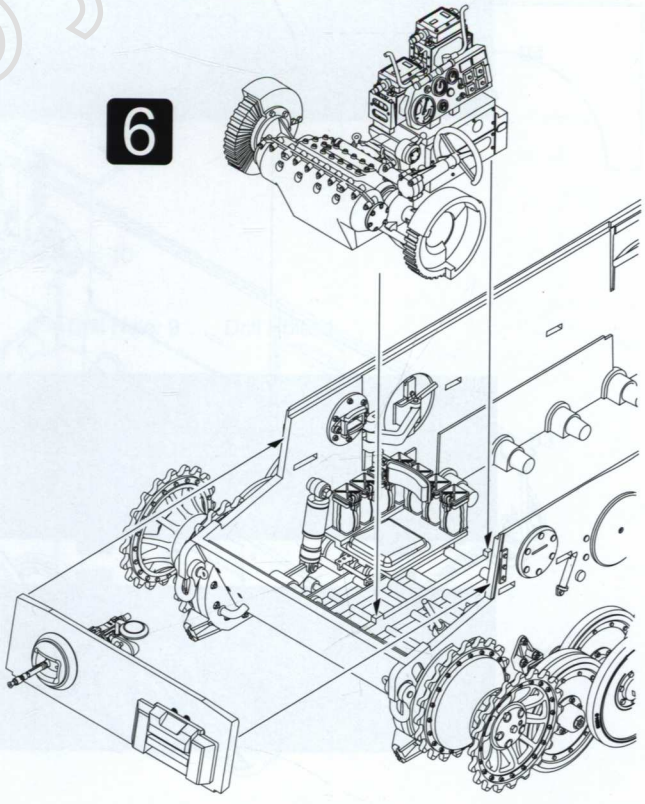
5



9



6



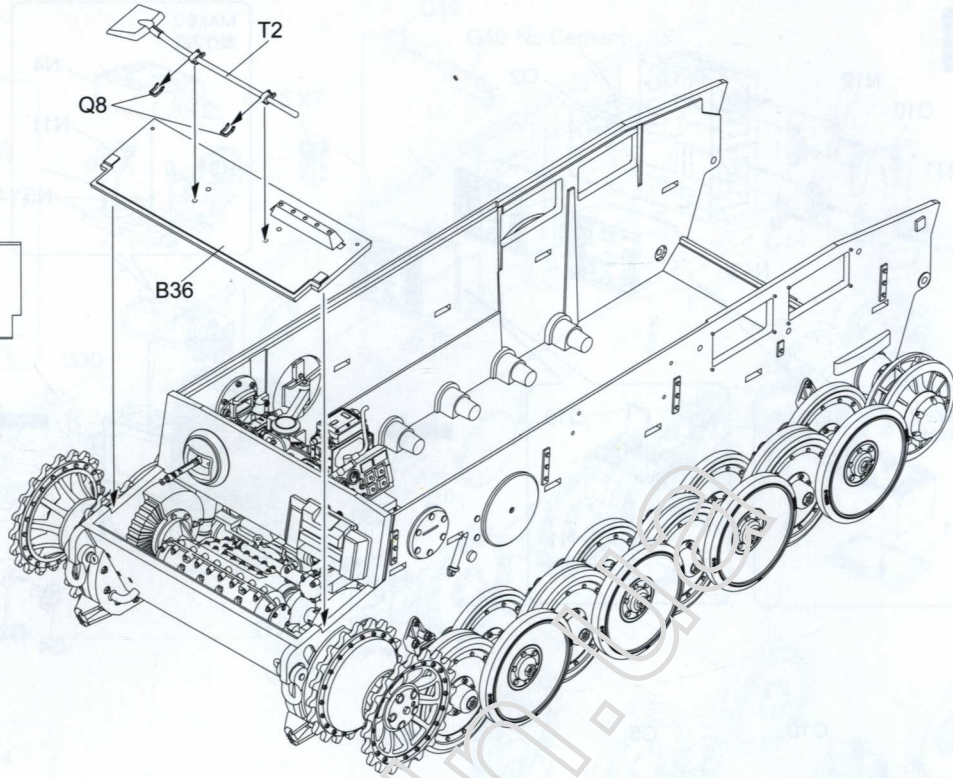


7

Drill Hole For B Type  
0.9mm

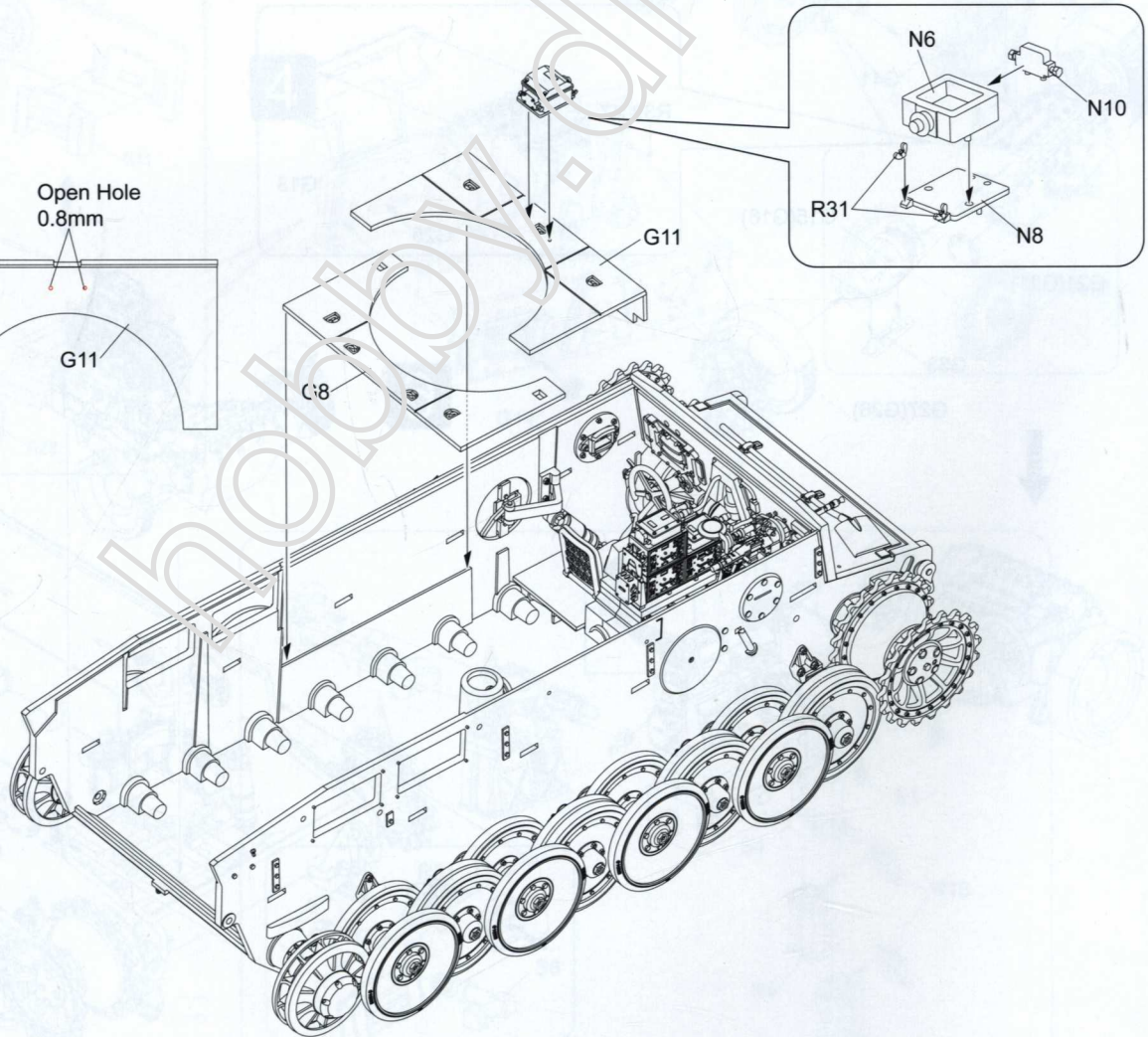
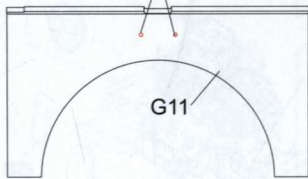


Drill Hole For C Type  
0.9mm

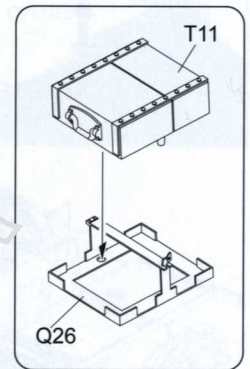
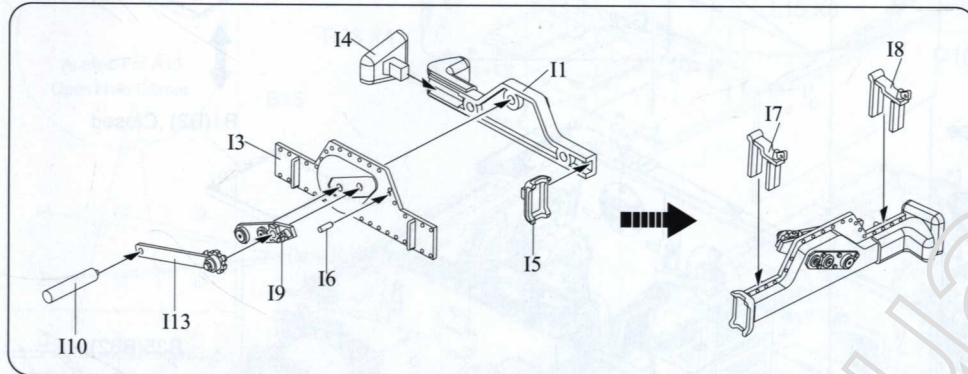
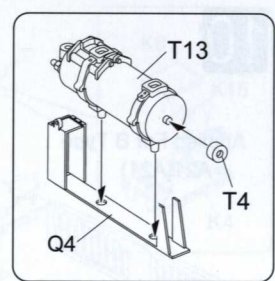
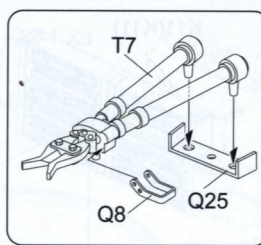
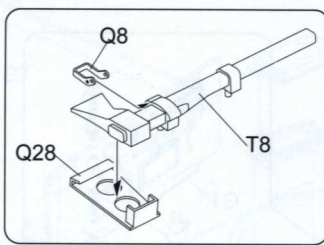
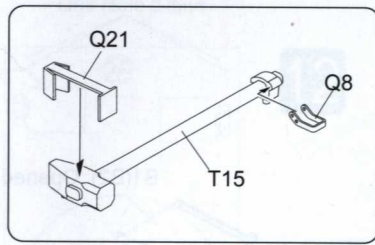


8

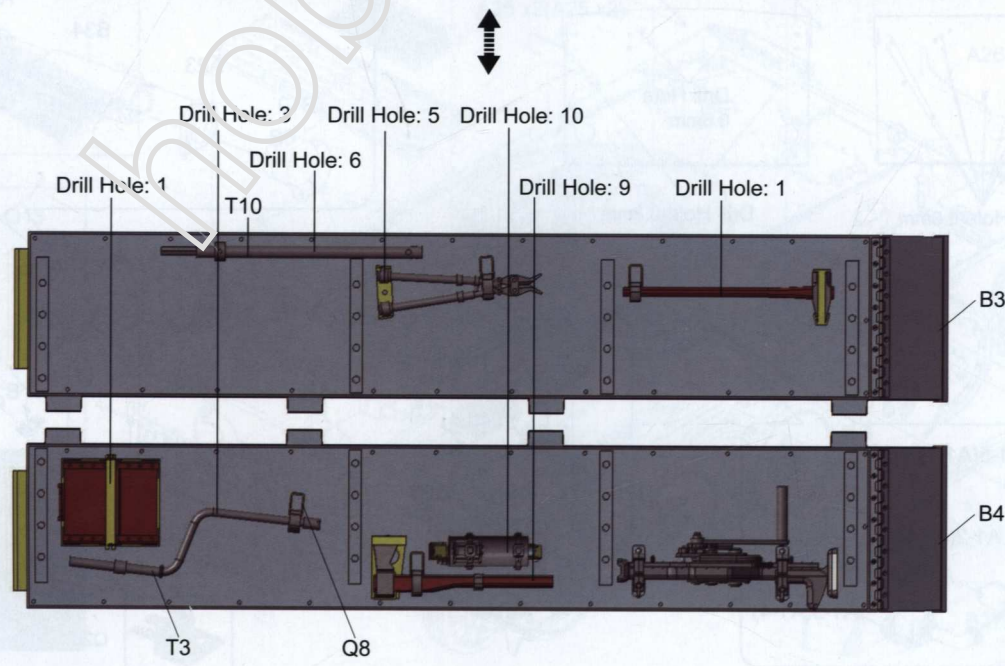
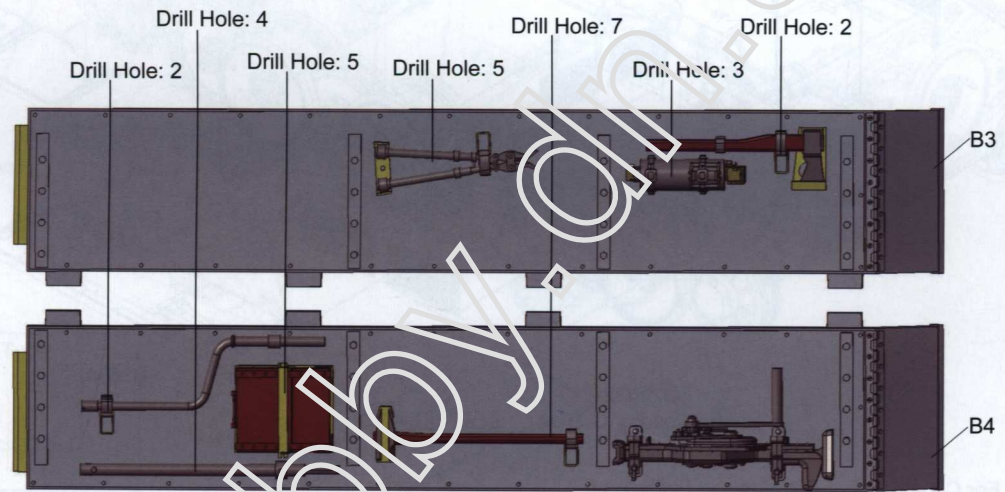
Open Hole  
0.8mm







9



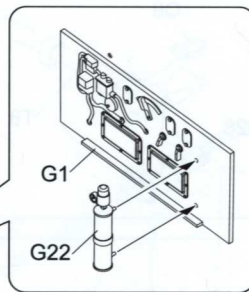
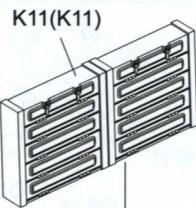
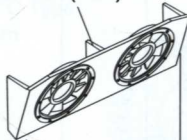


10

Applied For B Type  
A21(A21)



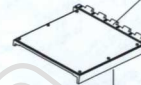
Applied For C Type  
A20(A20)



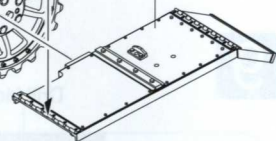
B1(B2) ,Opened



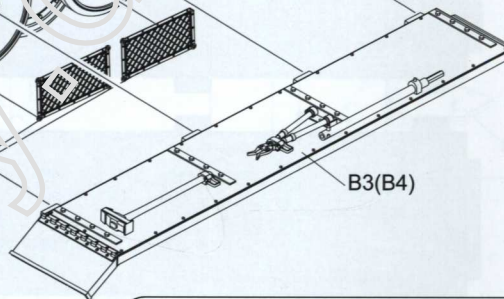
B1(B2) ,Closed



B35(B32)

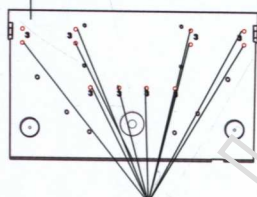


B3(B4)



11

B25 Applied For C Type

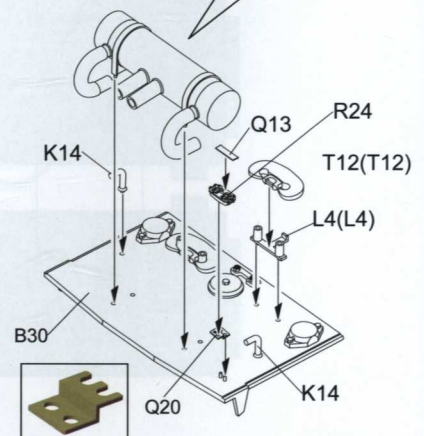
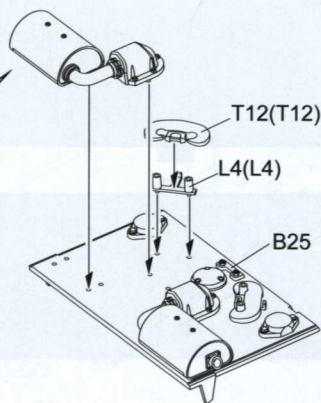
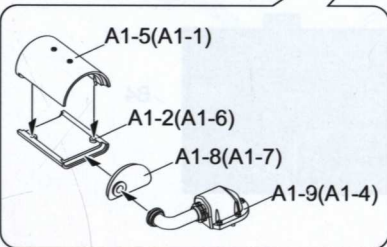
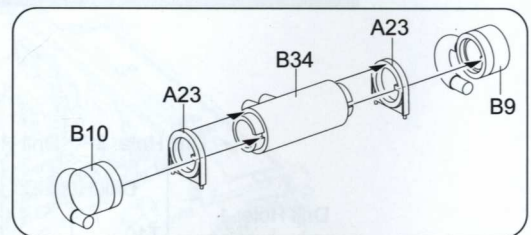


Drill Hole 0.8mm

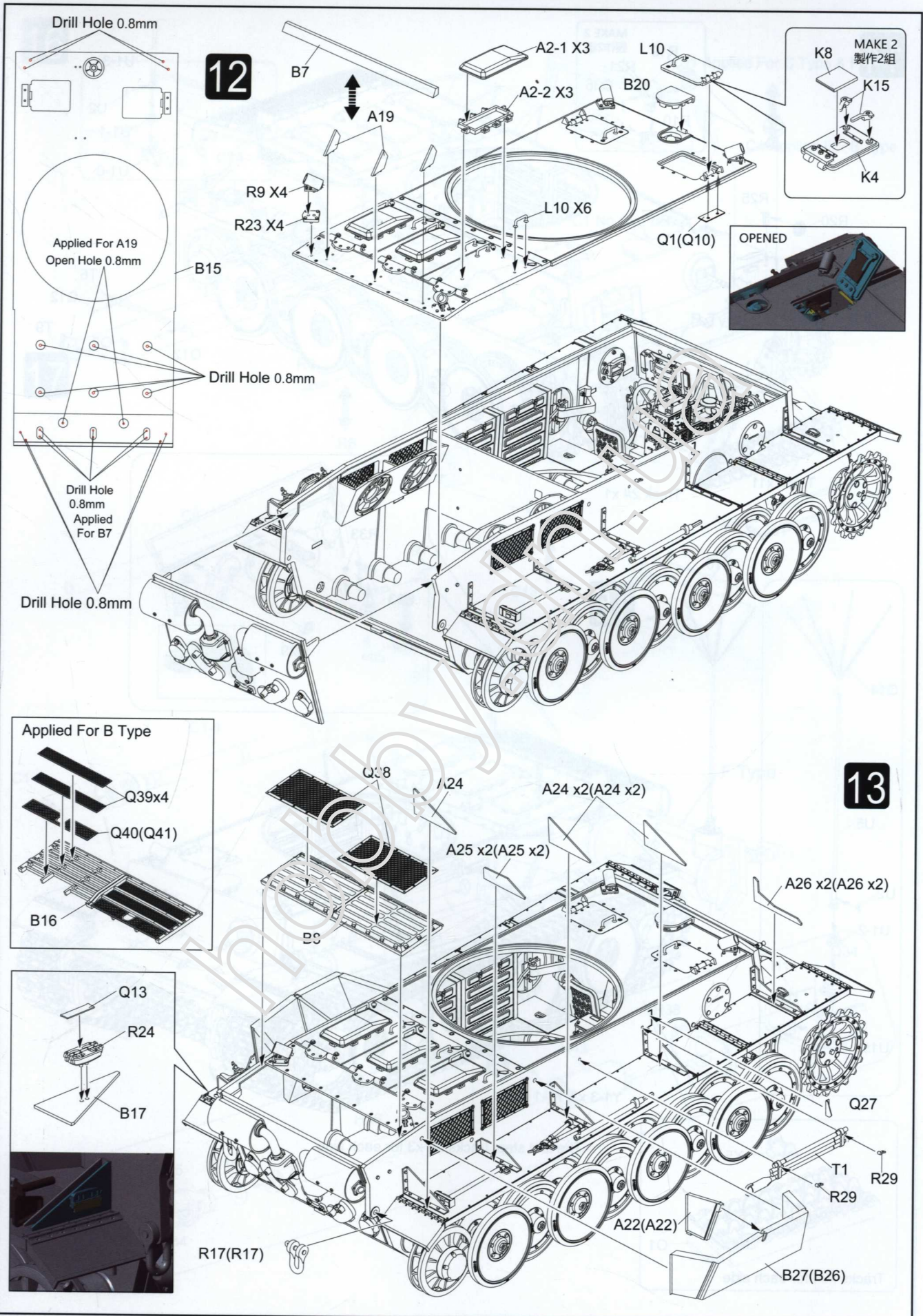
B30 Applied For B Type



Drill Hole 0.8mm

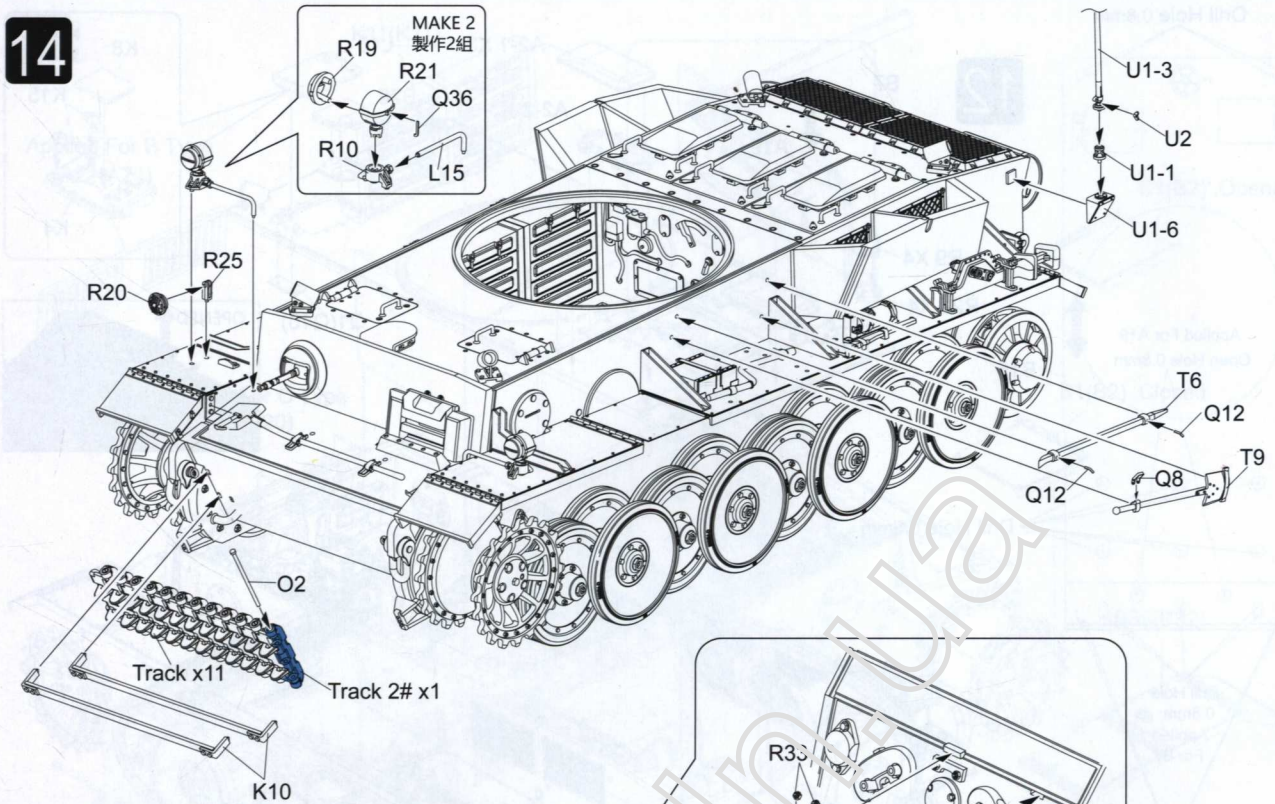




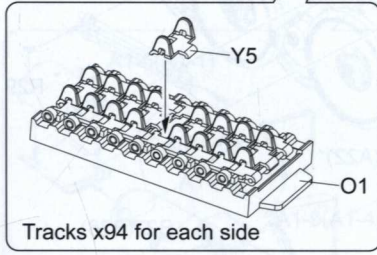
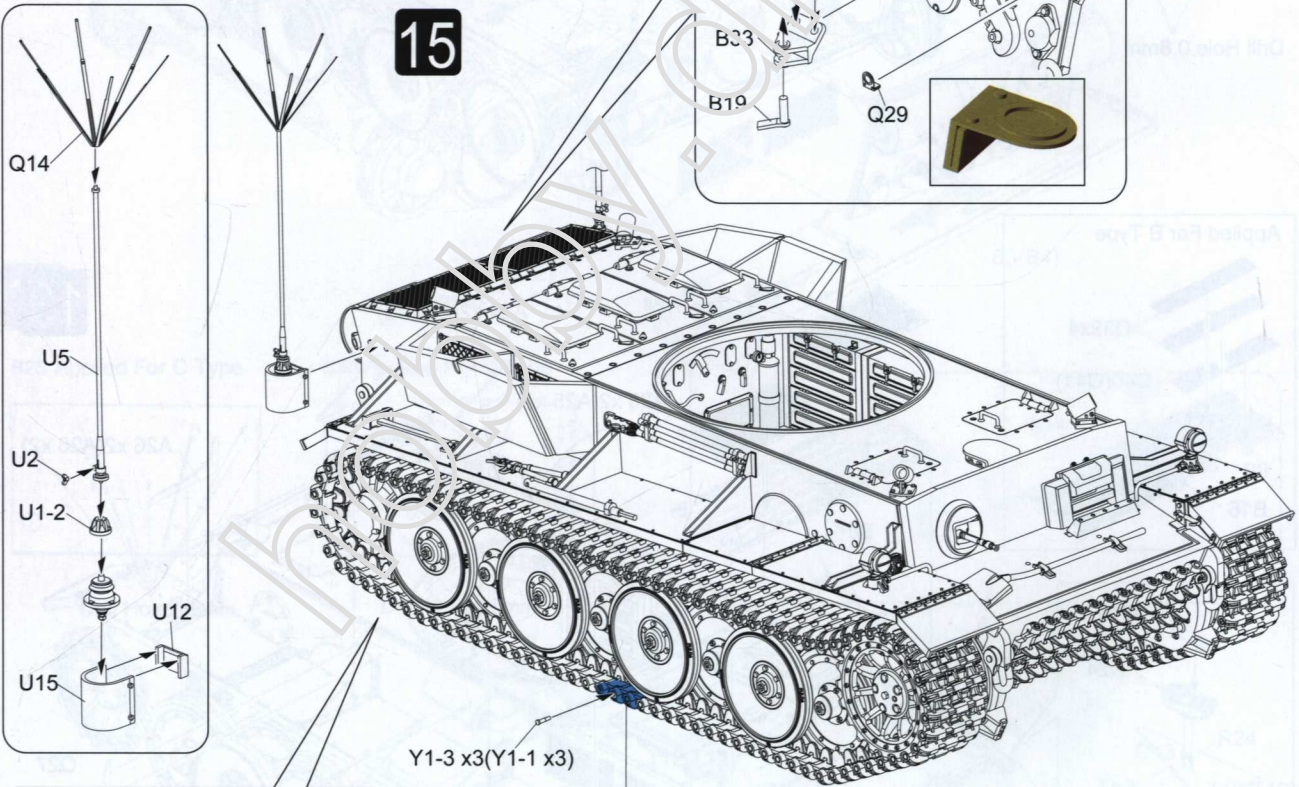




14



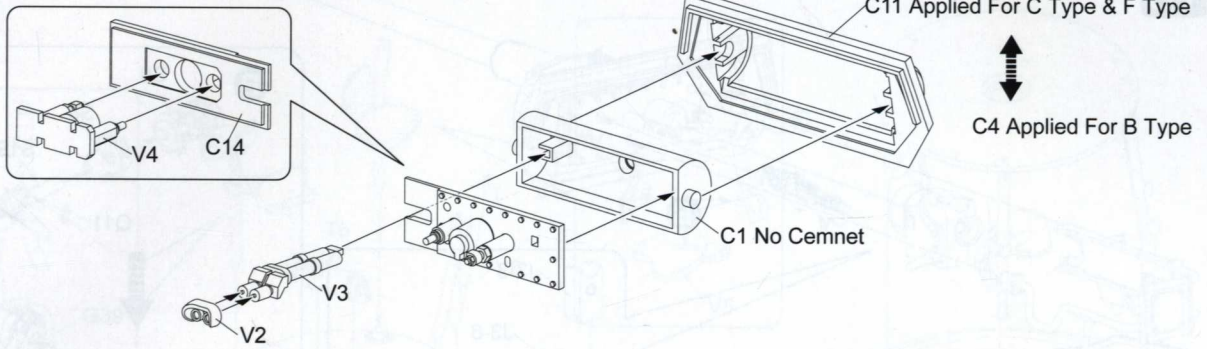
15



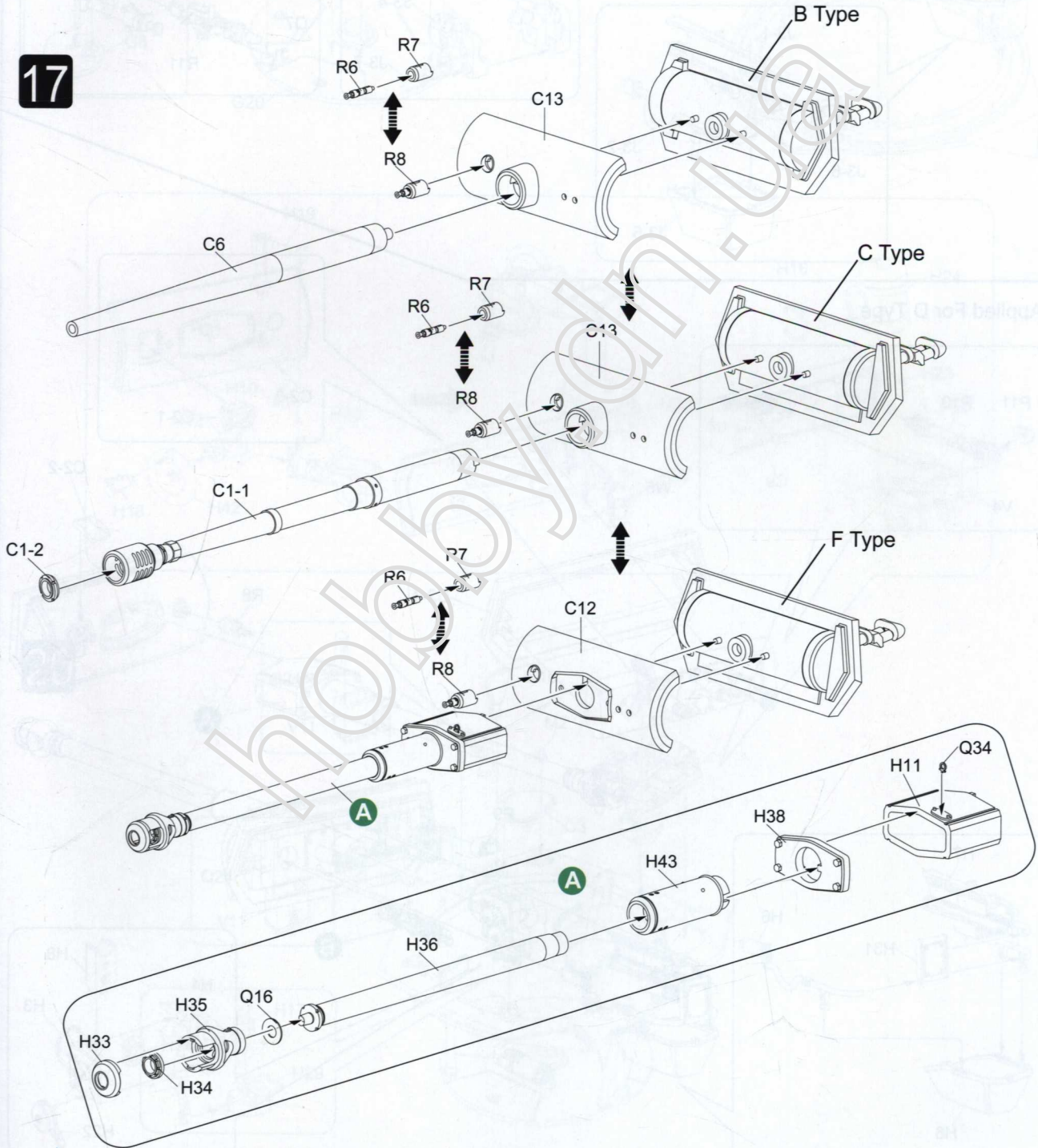
The last step: tracks 2# x3 for each side



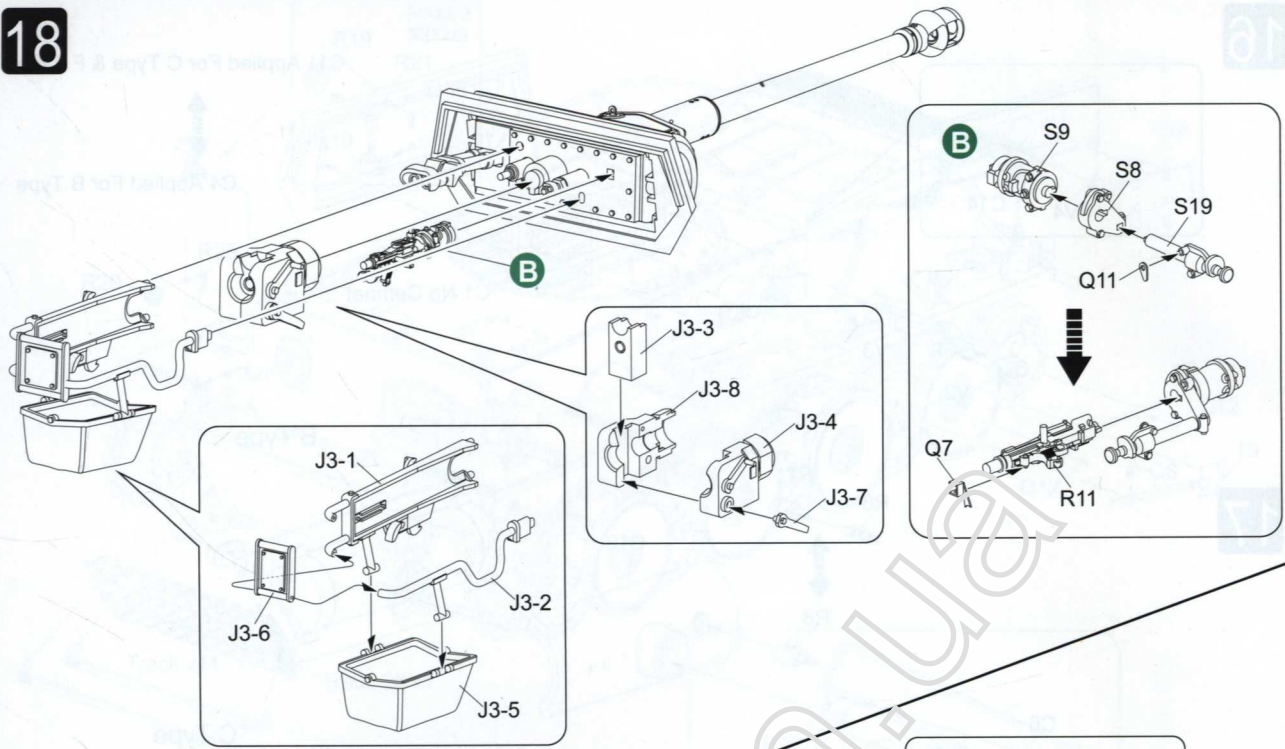
16



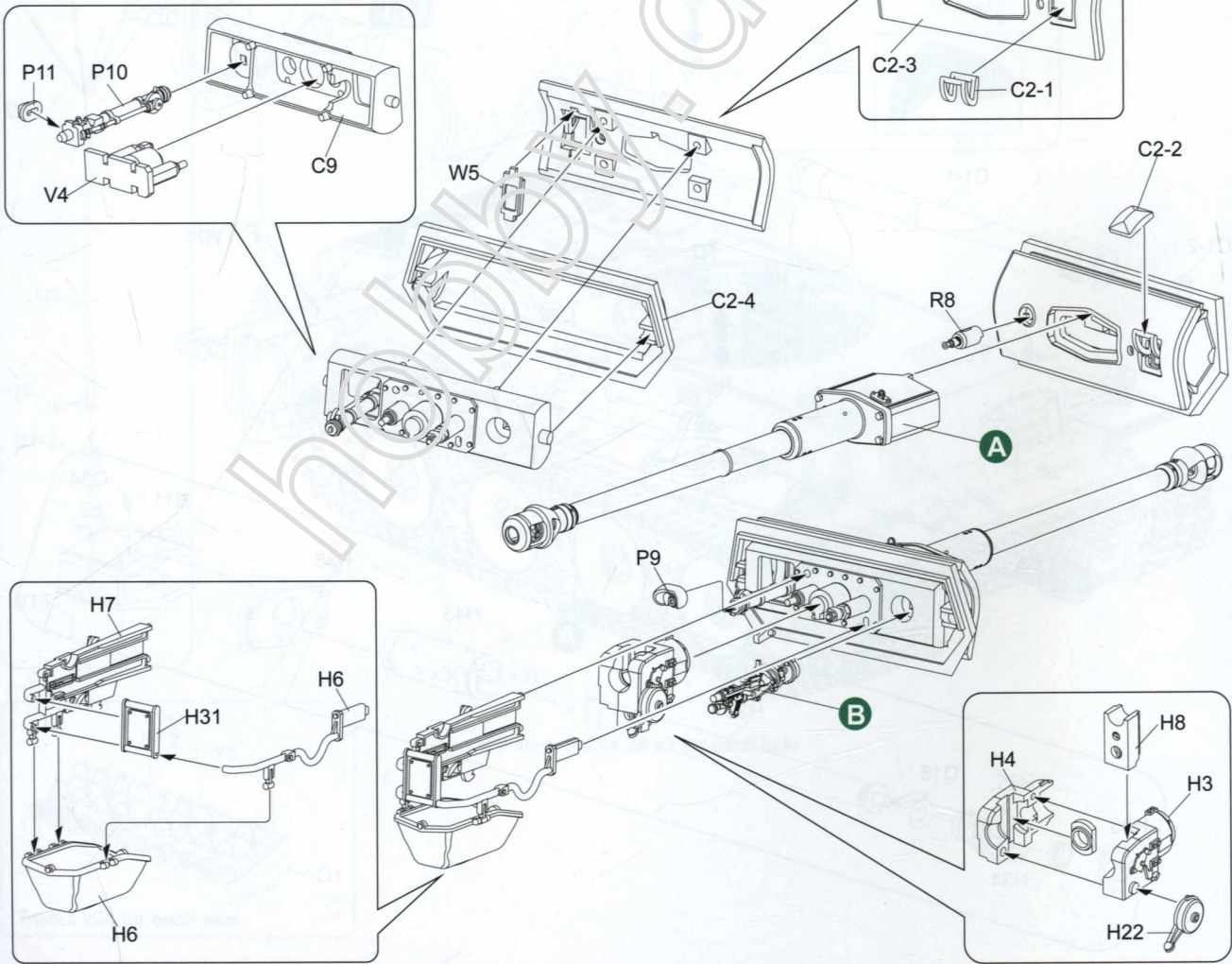
17





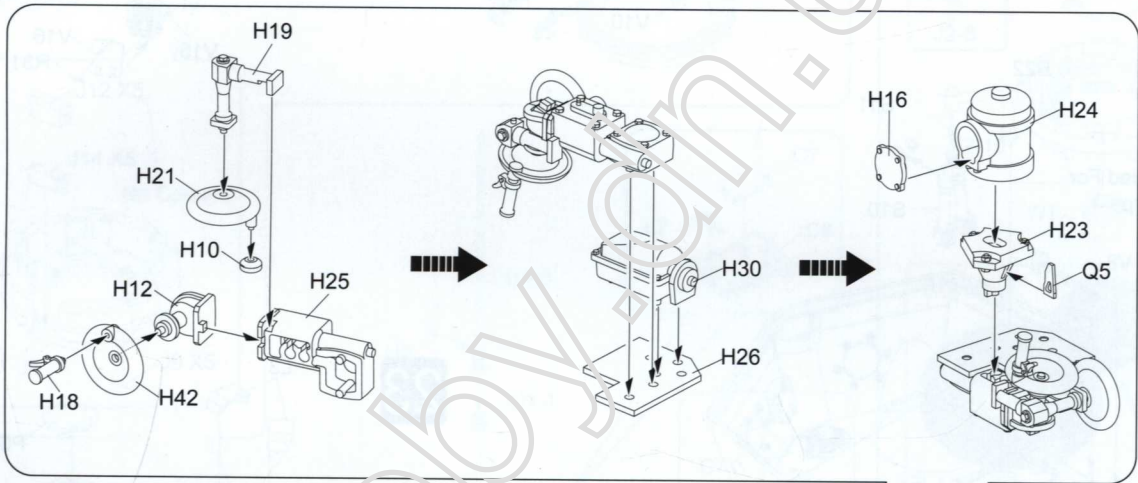
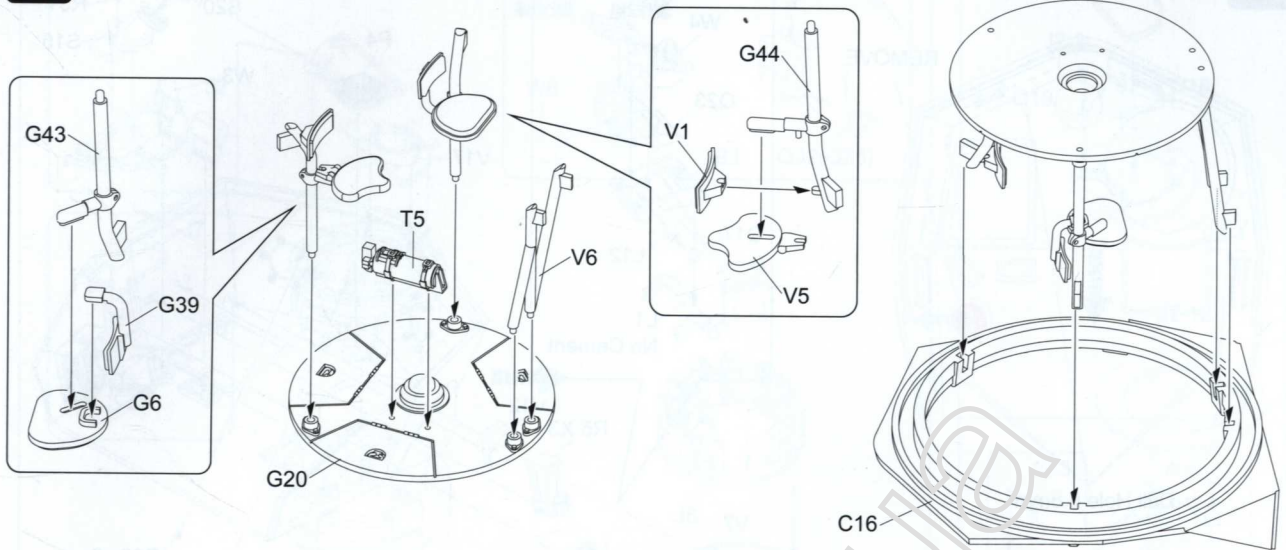


Applied For D Type

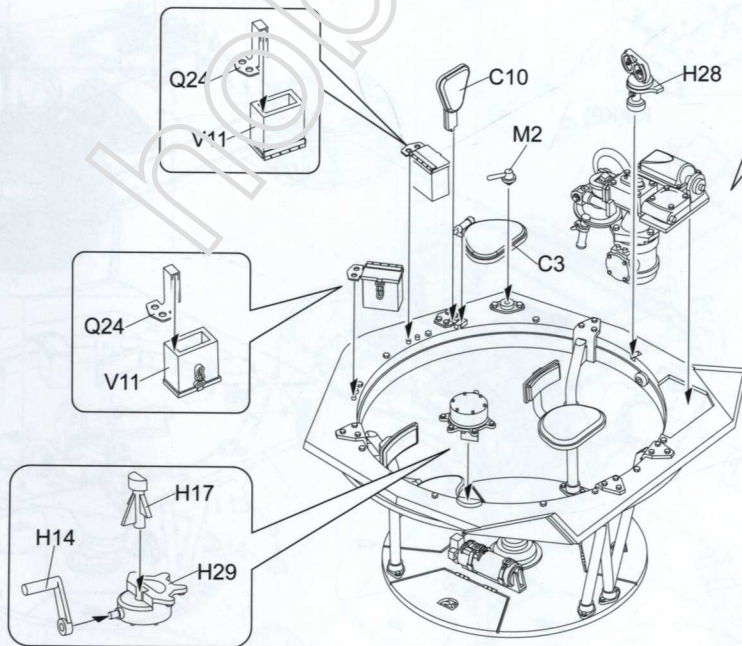




19

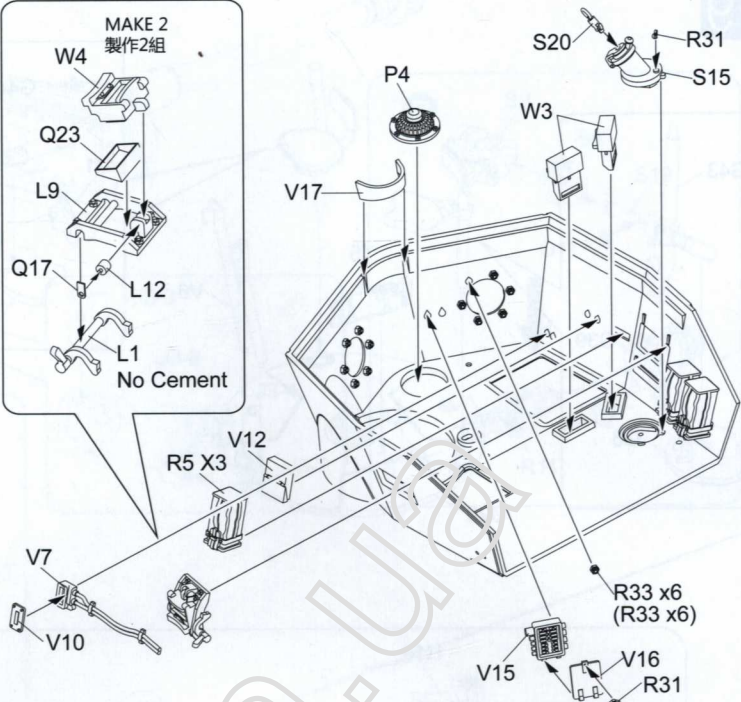
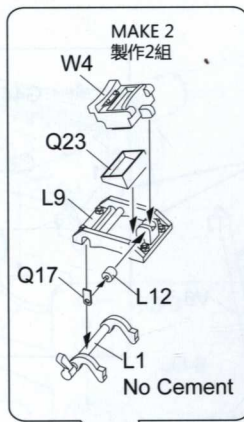
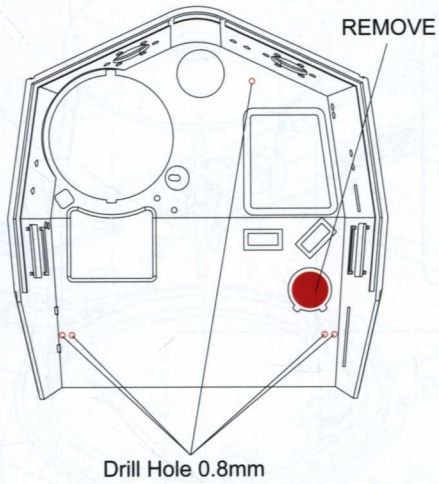


20

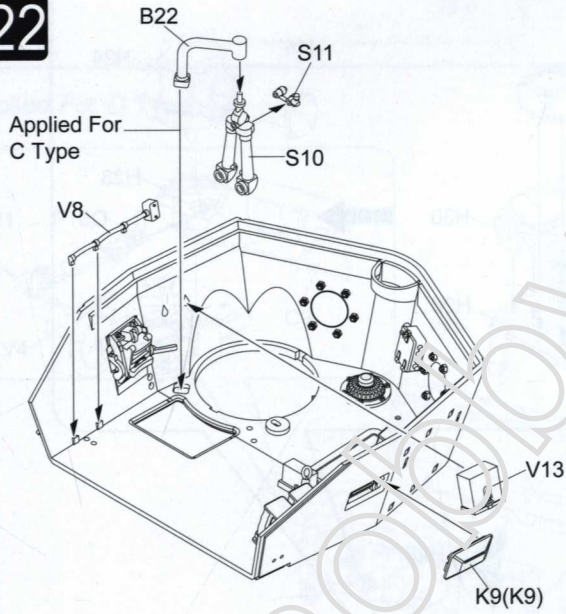




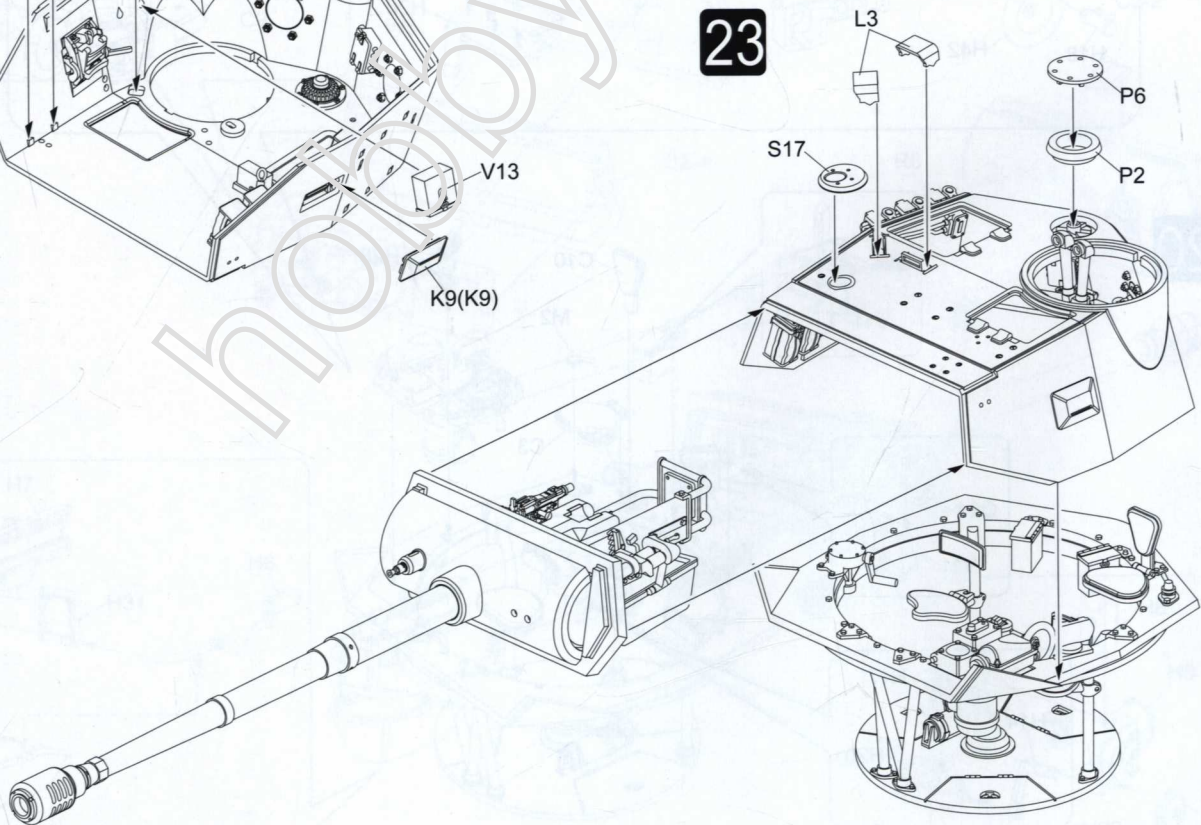
21



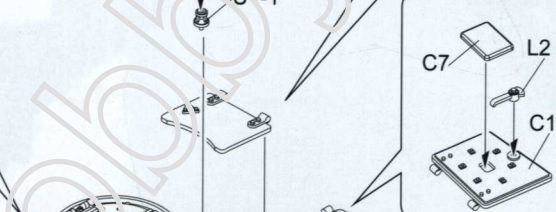
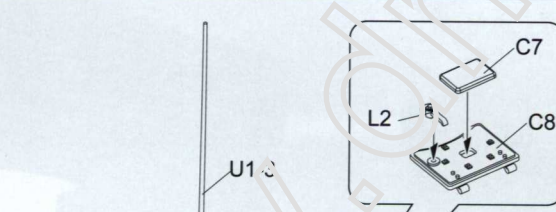
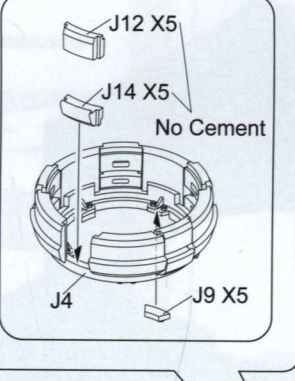
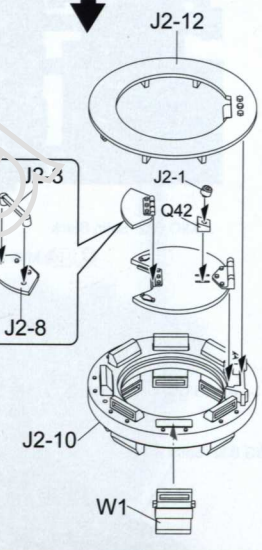
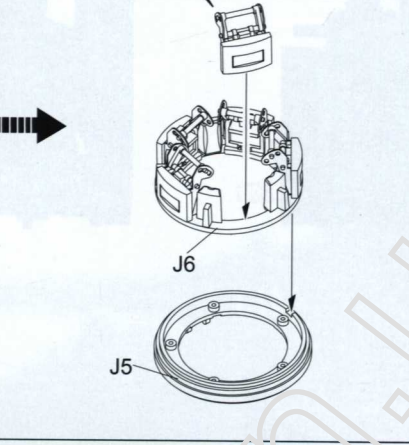
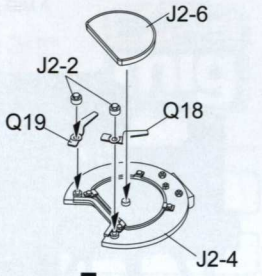
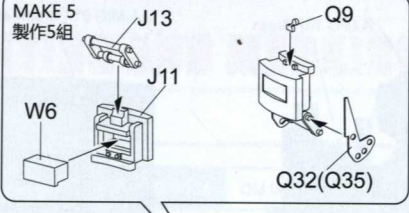
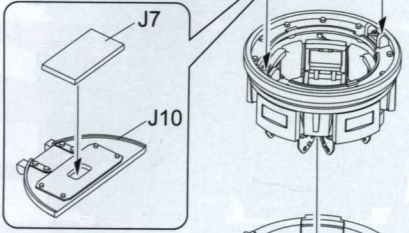
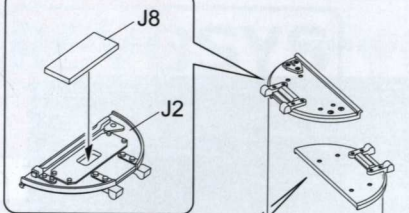
22



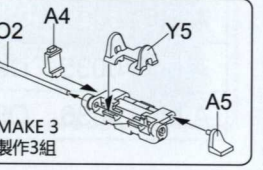
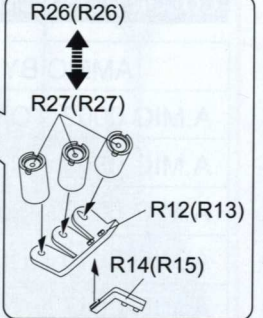
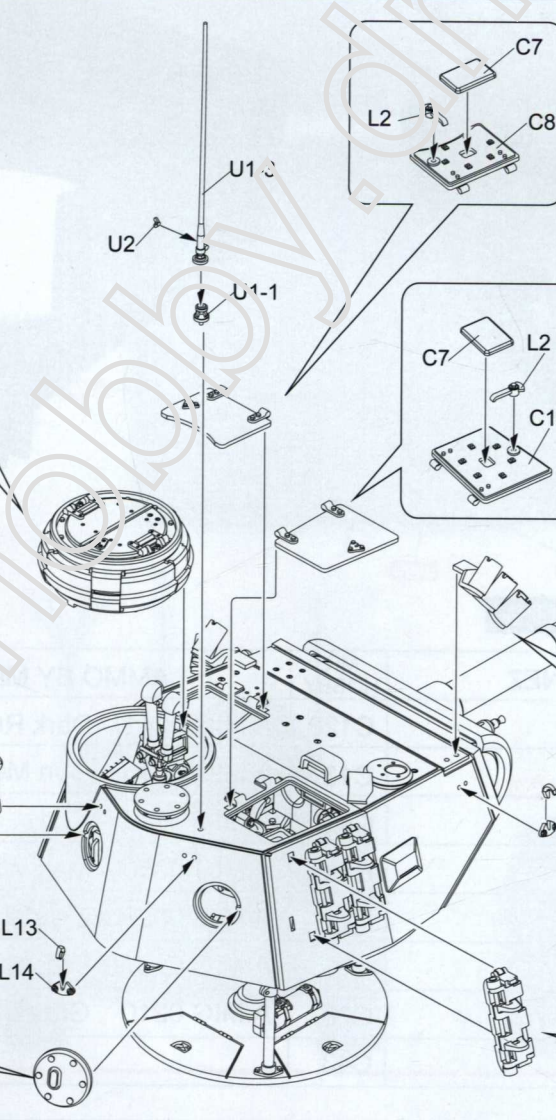
23



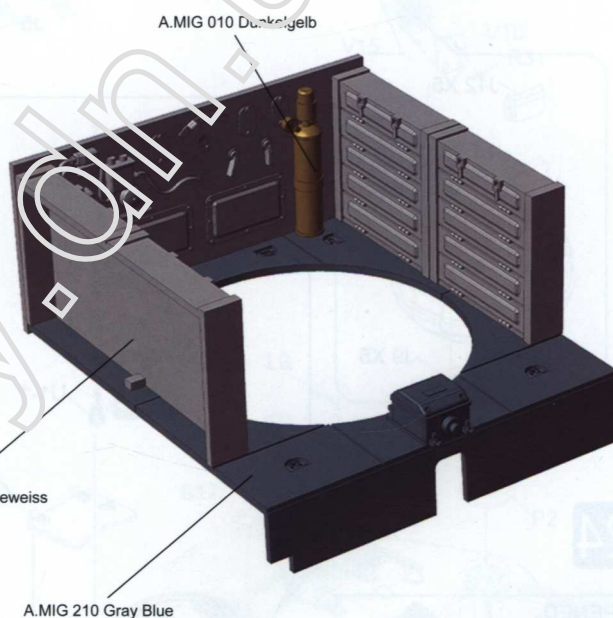
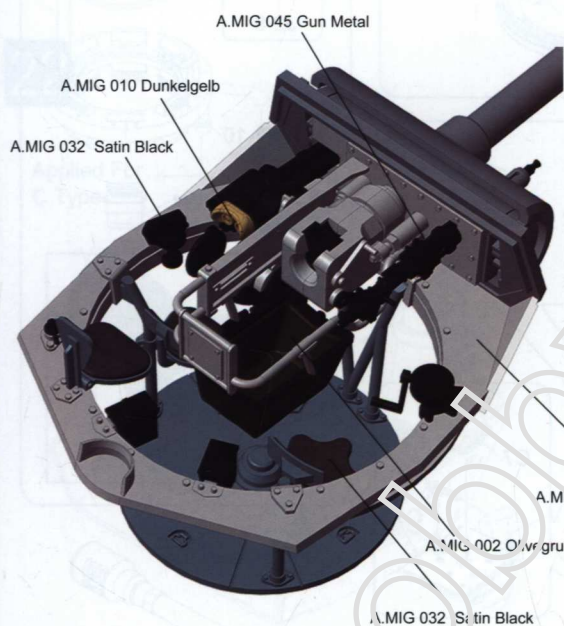
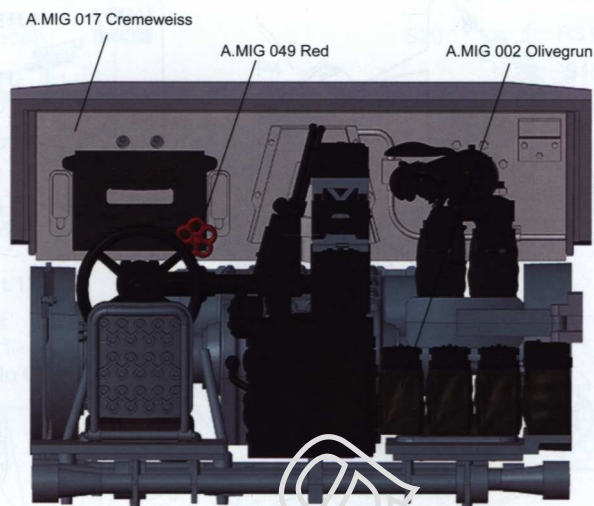
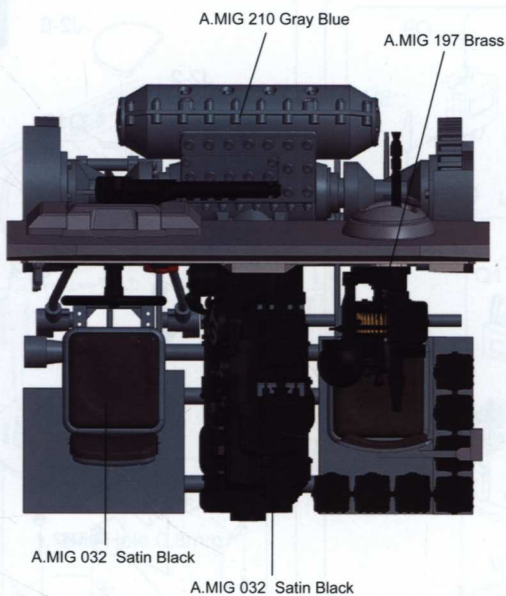




24







**COLOR REFERENCE · 顏色對照表**

AMMO BY MIGJIMENEZ		MR. HOBBY	AMMO BY MIGJIMENEZ		MR. HOBBY
A.MIG 0002	Olivegrun	C120	A.MIG 0041	Dark Rust	C61
A.MIG 0008	Dunkelgrou	C13	A.MIG 0045	Gun Metal	C28
A.MIG 0015	Schokobraun	C41	A.MIG 0049	Red	C114
A.MIG 0010	Dunkelgelb	C39	A.MIG 0050	Matt White	C62
A.MIG 0017	Cremeweiss	C69	A.MIG 0096	Crystal Green Periscope	C50
A.MIG 0032	Satin Black	C33	A.MIG 0197	Brass	MC219
A.MIG 0035	Dark Tracks	C78	A.MIG 0210	Gray Blue	C337
A.MIG 0036	Old Wood	C43			



# REVOSYS

## PAINTING AND MARKING GUIDE

Color info and profiles by



A..MIG 0035 Dark Tracks

A..MIG 0036 Old Wood

A..MIG 0041 Dark Rust

A..MIG 0045 Gun Metal

A..MIG 0096 Crystal Green Periscope

A..MIG 0008 Dunkelgrau



# Pz.Kpfw.VI Ausf C/B



# REVOSYS

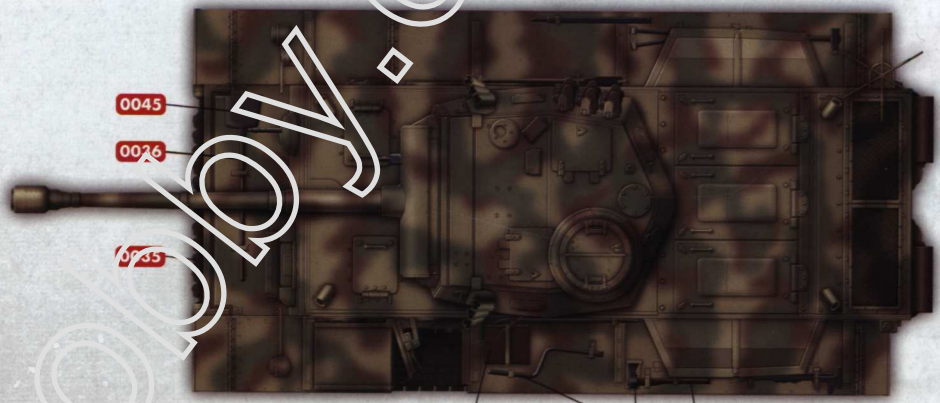
## PAINTING AND MARKING GUIDE

Color info and profiles by



# Pz.Kpfw.VI Ausf G/B

A..MIG 0035	Dark Tracks	A..MIG 0036	Old Wood	A..MIG 0041	Dark Rust
A..MIG 0045	Gun Metal	A..MIG 0096	Crystal Green Periscope	A..MIG 0002	Olivgrün Opt.2
A..MIG 0010	Dunkelgelb	A..MIG 0015	Schokobraun		





# REVOSYS

## PAINTING AND MARKING GUIDE

Color info and profiles by



A.MIG 0035 Dark Tracks

A.MIG 0036 Old Wood

A.MIG 0041 Dark Rust

A.MIG 0045 Gun Metal

A.MIG 0096 Crystal Green Periscope

A.MIG 0008 Dunkelgrau

A.MIG 0015 Schokobraun



# Pz.Kpfw.VI Ausf G/B



# Pz.Kpfw.VI Ausf G/B

## REVOSYS

## PAINTING AND MARKING GUIDE

Color info and profiles by



A.MIG 0035	Dark Tracks	A.MIG 0036	Old Wood	A.MIG 0041	Dark Rust
A.MIG 0045	Gun Metal	A.MIG 0096	Crystal Green Periscope	A.MIG 0010	Dunkelgelb
A.MIG 0015	Schokobraun	A.MIG 0050	Matt White		

