

RFM
RYEFIELD MODEL
RM-5012

With Full Interior

STURMTIGER RM61 L/5.4 / 38cm

德国“突击虎”自行火炮 シュトルムティーガー

ASSEMBLY ICONS



OPTIONAL
选择



CEMENT
膠水



DO NOT CEMENT
不使用膠水



INSTANT CEMENT
瞬間接著劑



BEND
彎折



MAKE 2
製作2組



OPEN HOLE
鑿孔



REMOVE
切除



BE CAREFUL
注意



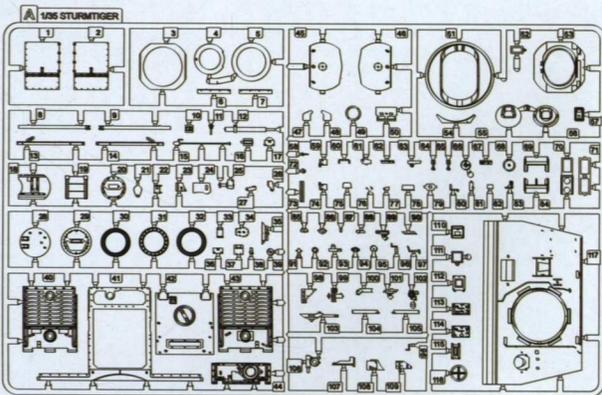
APPLY DECAL
貼上水貼紙

CAUTION!

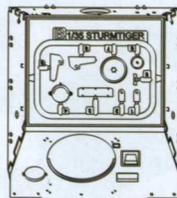
Read carefully and fully understand the instructions before commencing assembly.
Supervising adult should also read the instructions if a child assembles the model.
When you used glue or paint, do not use near a naked flame, and use in a well-ventilated room.
When assembling this kit, tools including knives are used. Extra care should be taken to avoid personal injury.
Read and follow the instructions supplied with paints and/ or cement. Use plastic cement and paints only.
Keep out of reach of small children. Children must not be allowed to suck any part, or pull vinyl bag over the head.

在裝配前仔細閱讀說明並完全理解。小孩裝配時需成人看護且需仔細閱讀說明。
使用膠水和油漆時，應遠離火源並打開窗戶保持空氣流通。
製作時請格外注意工具刀和零件的鋒利尖銳部分，避免對身體造成傷害。
在使用膠水和油漆前仔細閱讀注意事項，按照說明正確使用膠水和油漆。
請將本品放在兒童接觸不到的地方，套件中的塑膠包裝袋會對兒童造成窒息的危險。

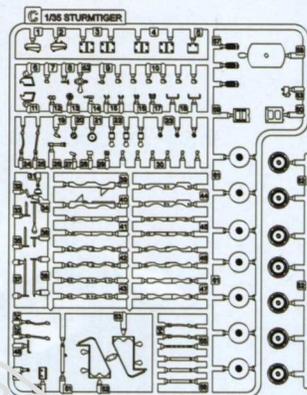
A (x1)



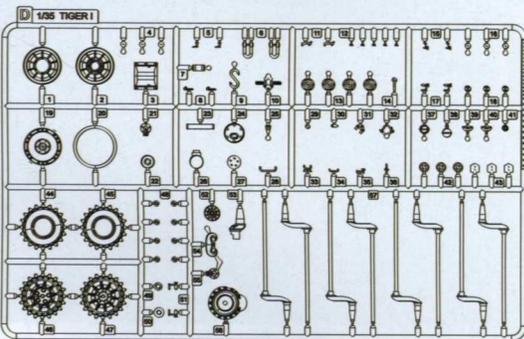
Upper Hull (x1) & B (x1)



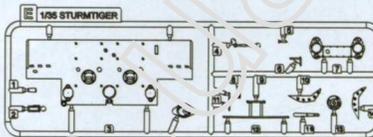
C (x2)



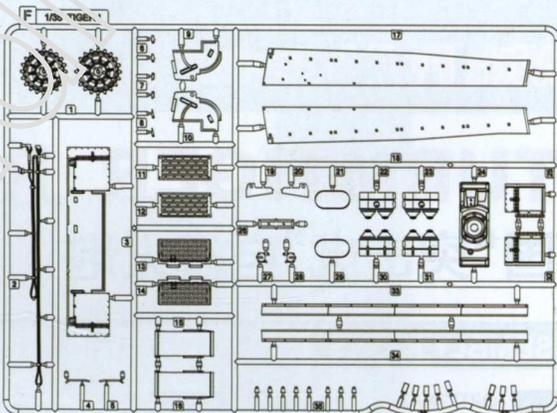
D (x2)



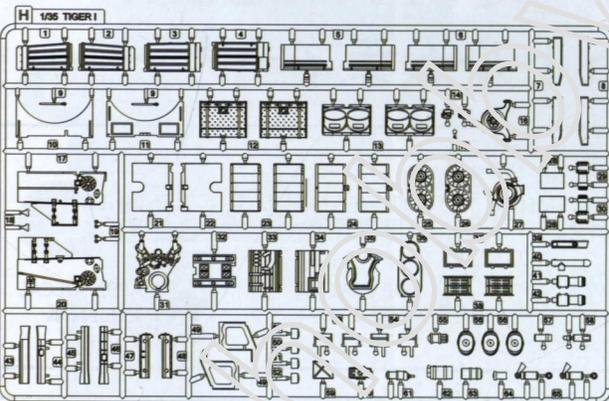
E (x1)



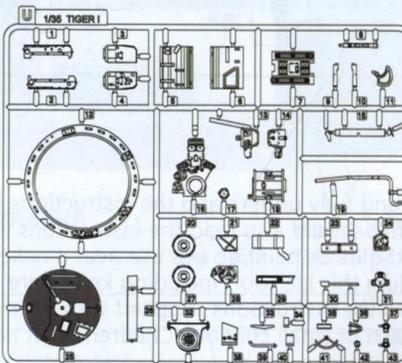
F (x1)



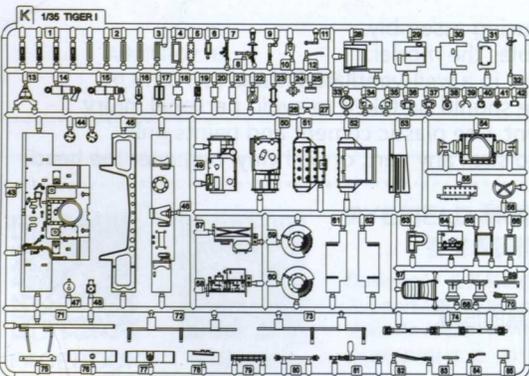
H (x1)



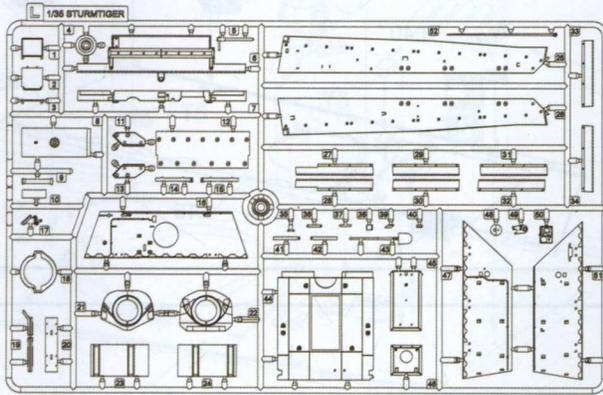
U (x1)



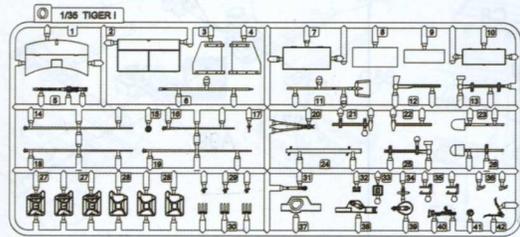
K (x1)



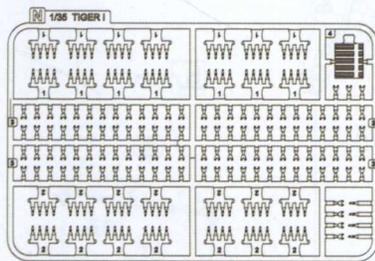
L (x1)



O (x1)



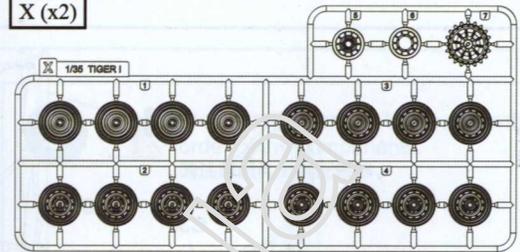
N (x4)



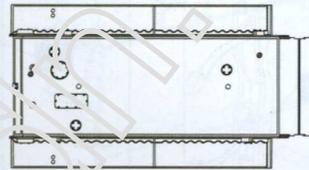
Tracks (x216 pcs)



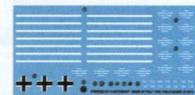
X (x2)



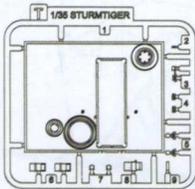
Lower Hull (x1)



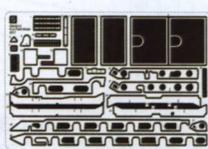
Decal (x1)



T (x1)



S (x1)



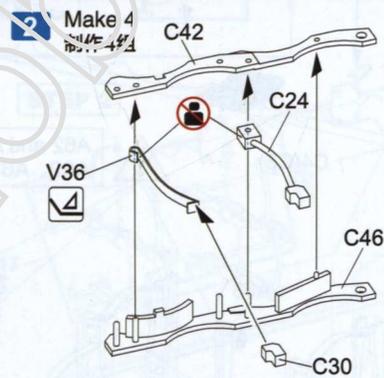
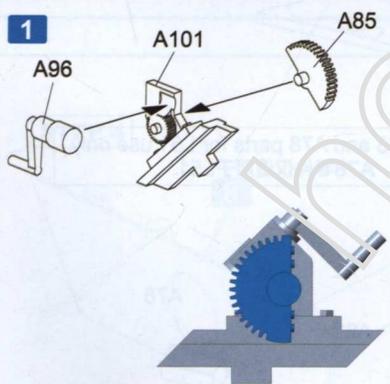
V (x1)



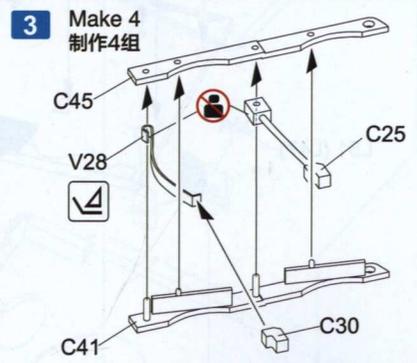
Metal Cable: 10cm

Poly Cap

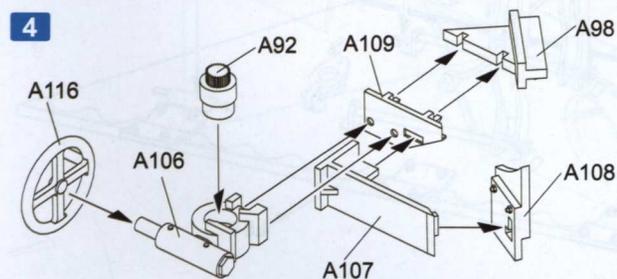
1



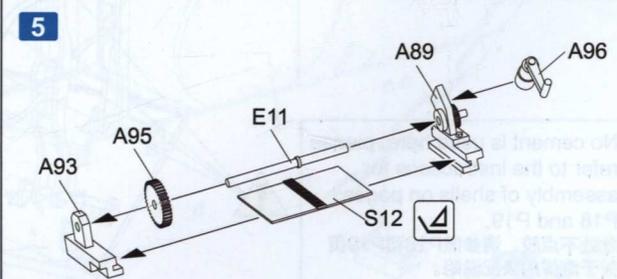
3

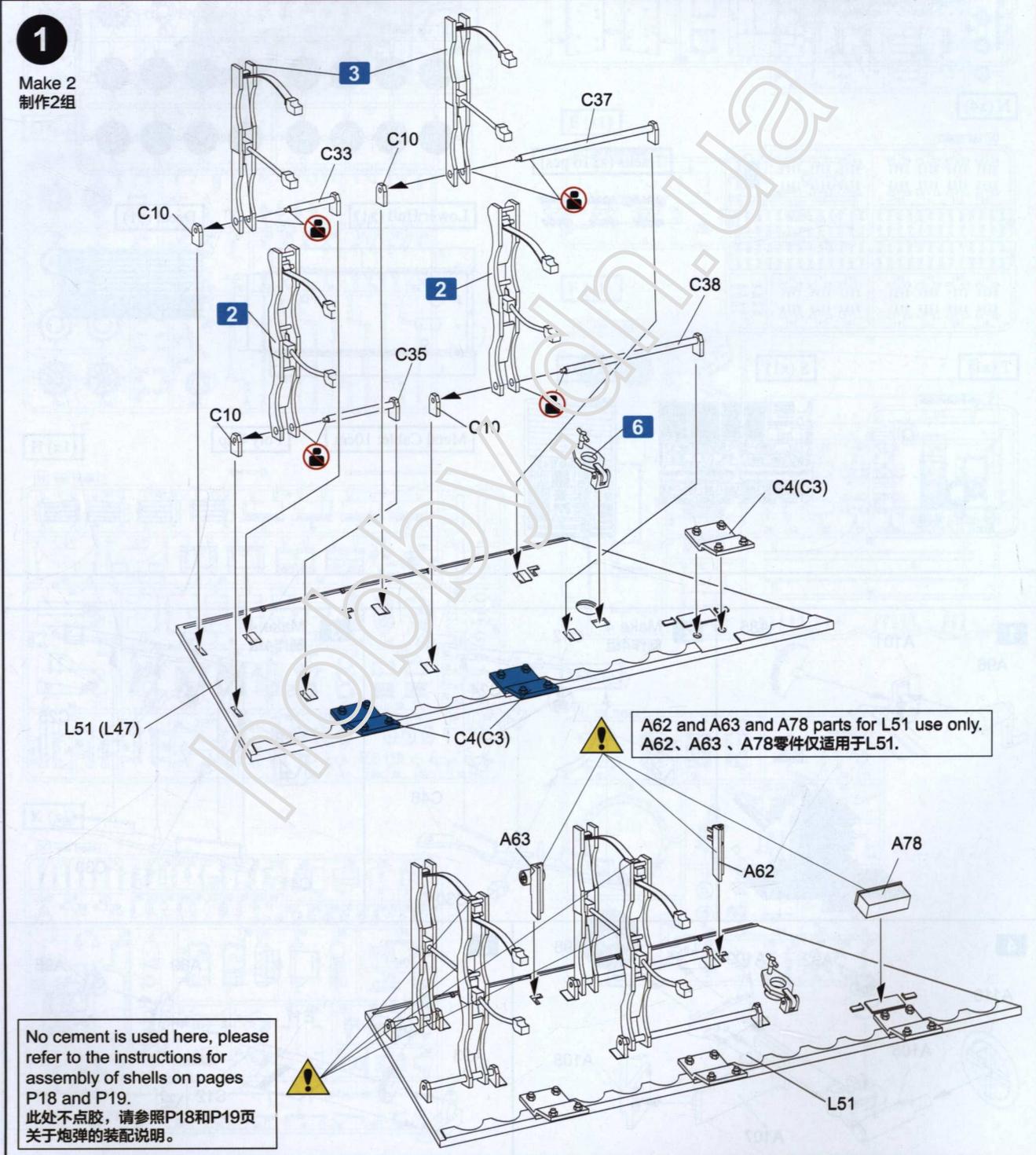
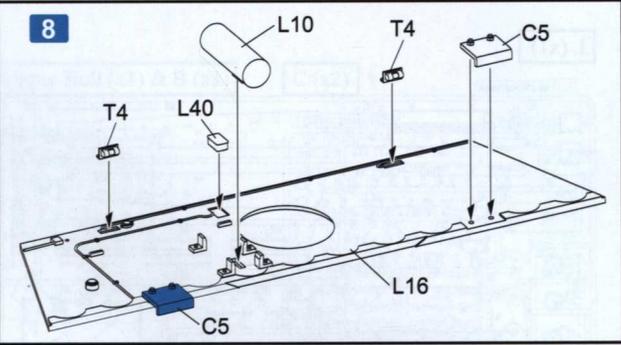
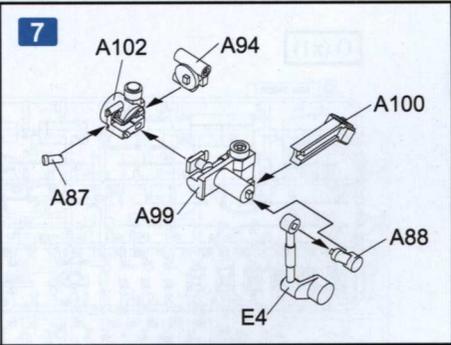
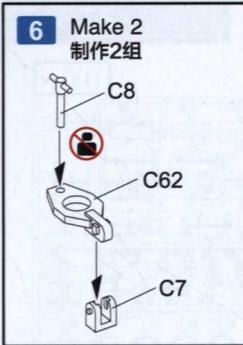


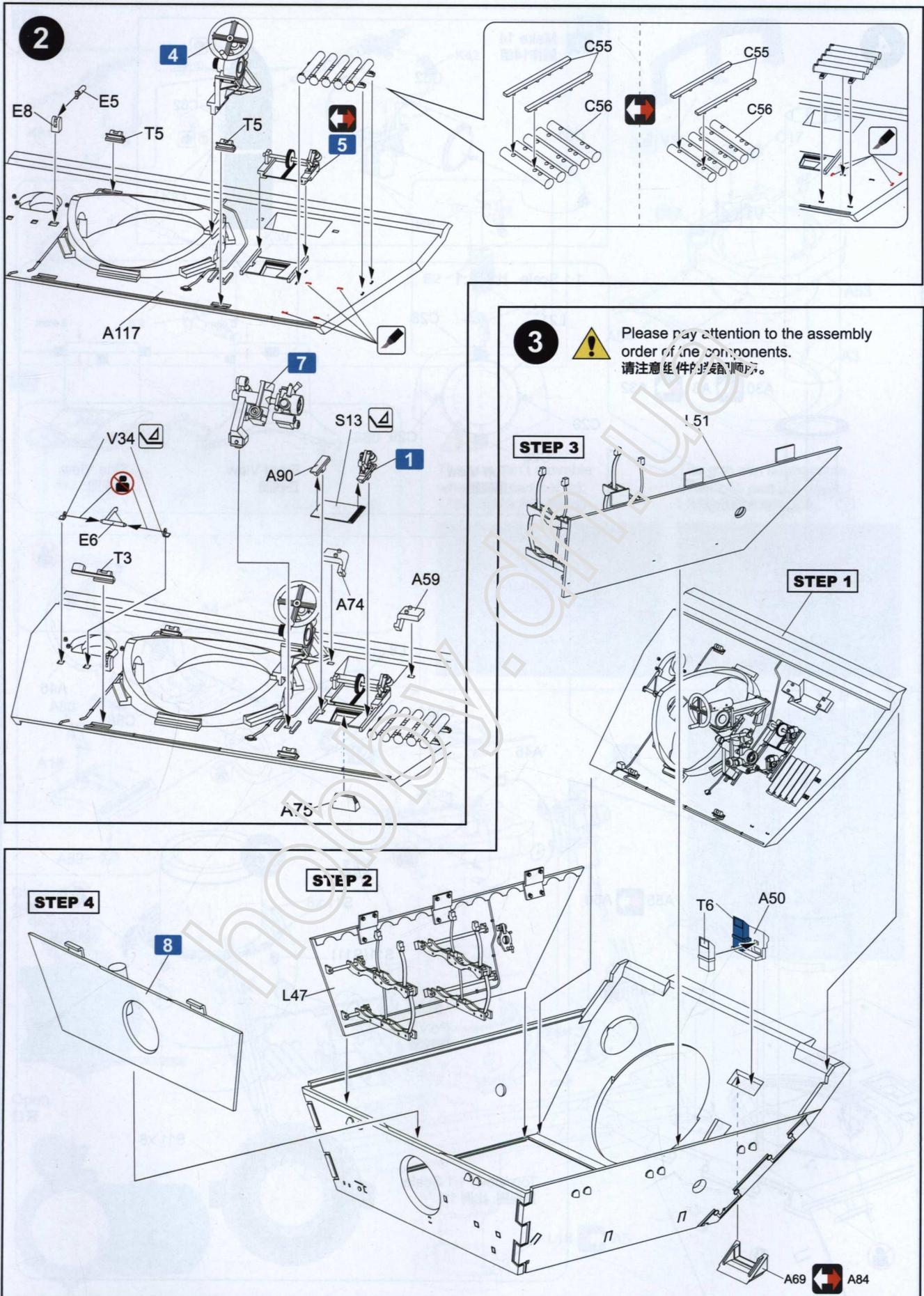
4



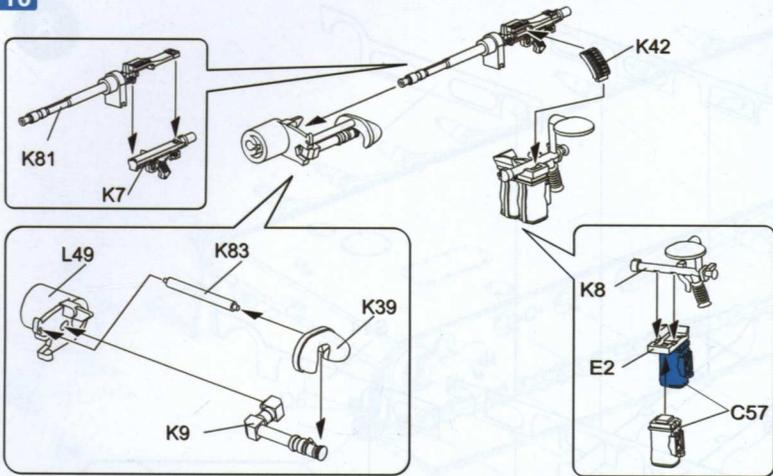
5



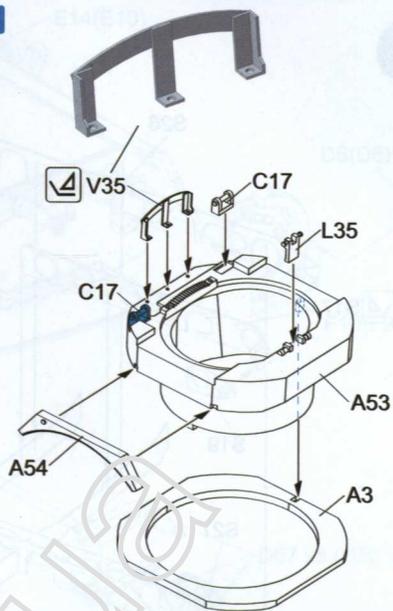




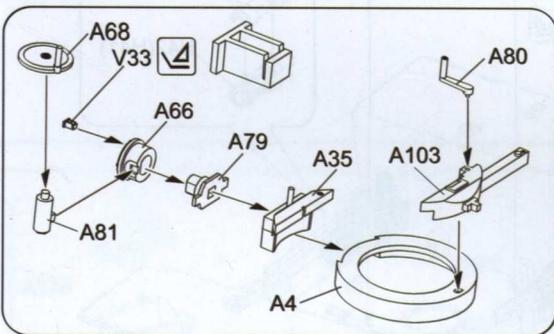
10



11

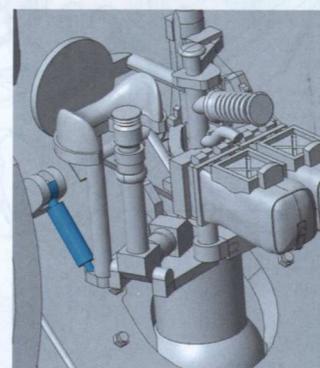
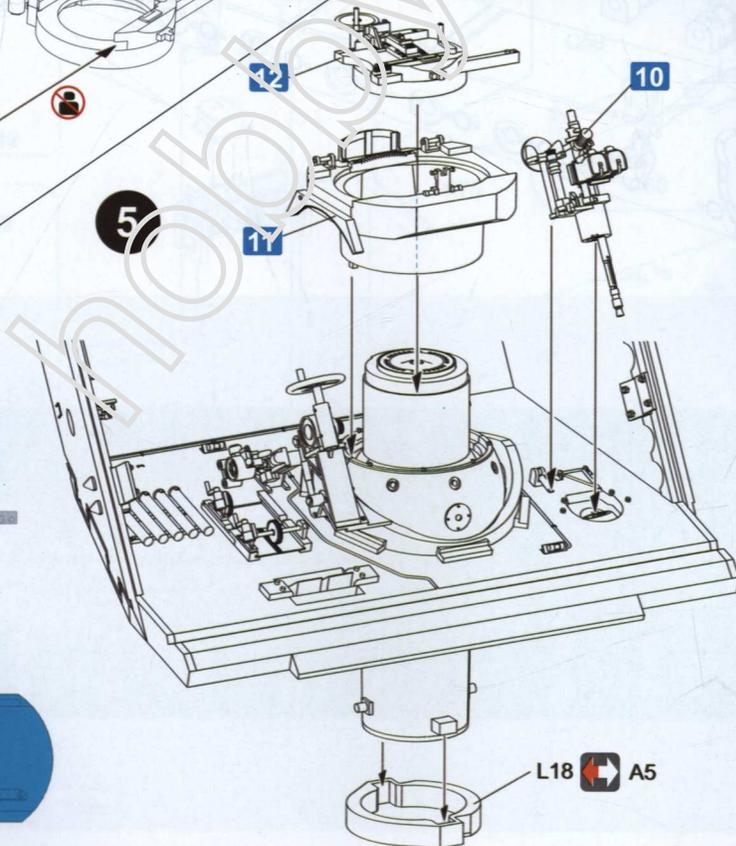
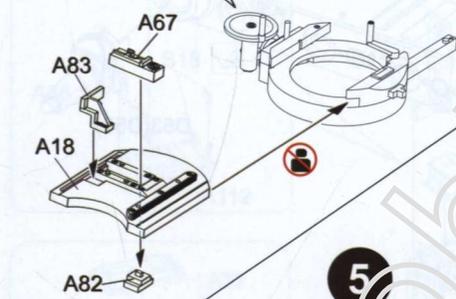
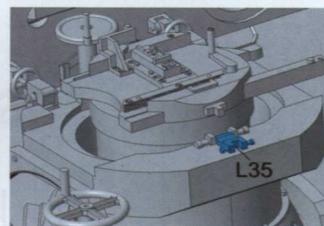
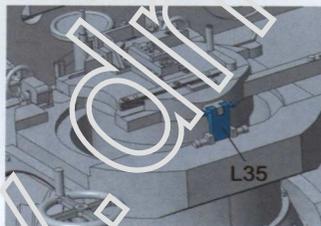


12

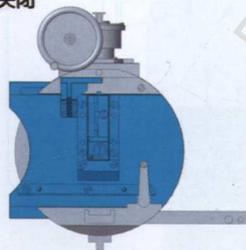


The gun can't move when L35 part put up.
L35立起时火炮不能活动。

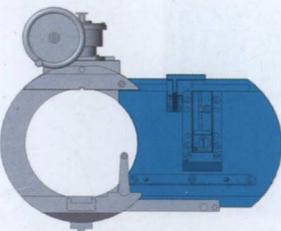
The gun can be move when L35 part put down.
L35放倒时火炮可活动。



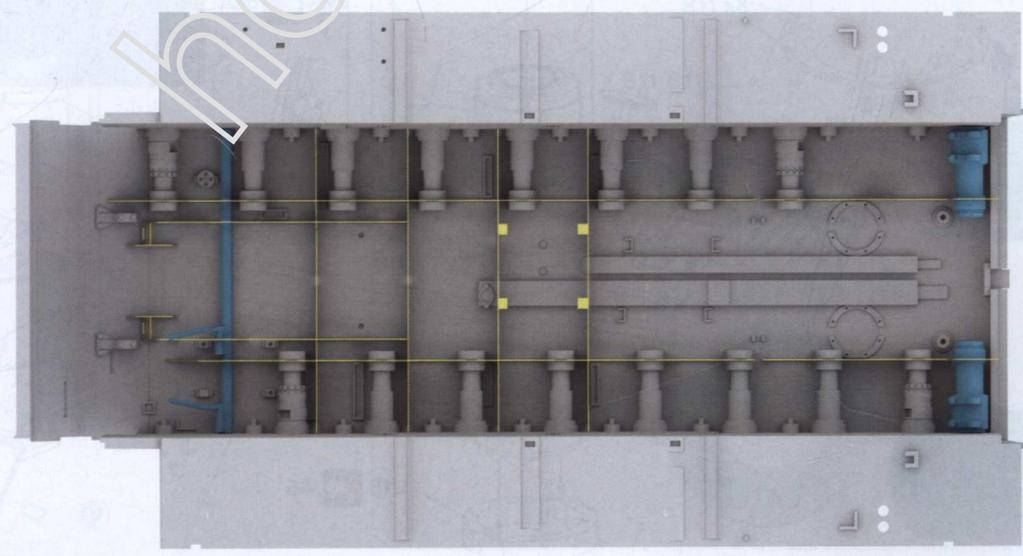
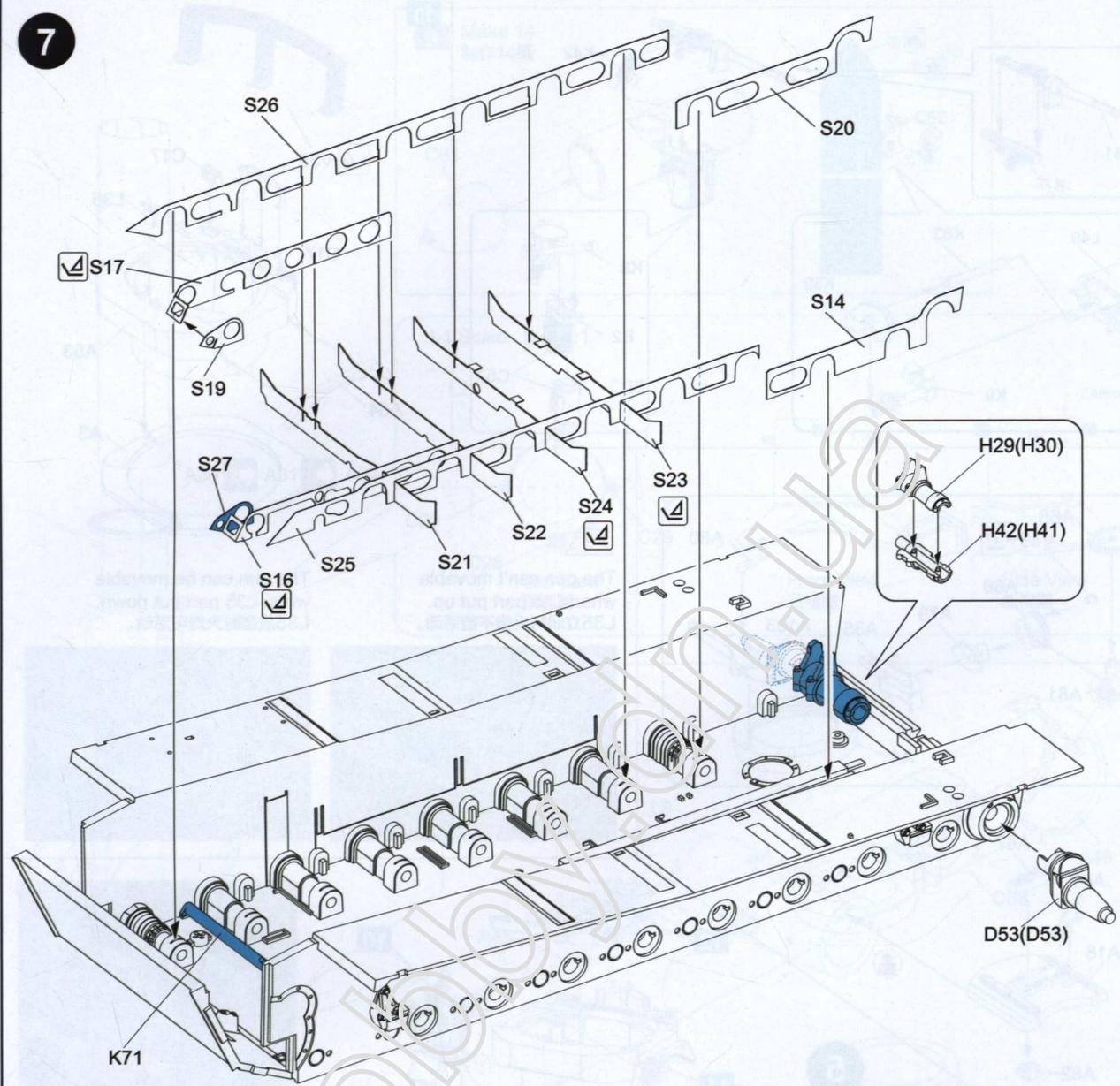
Closed
关闭

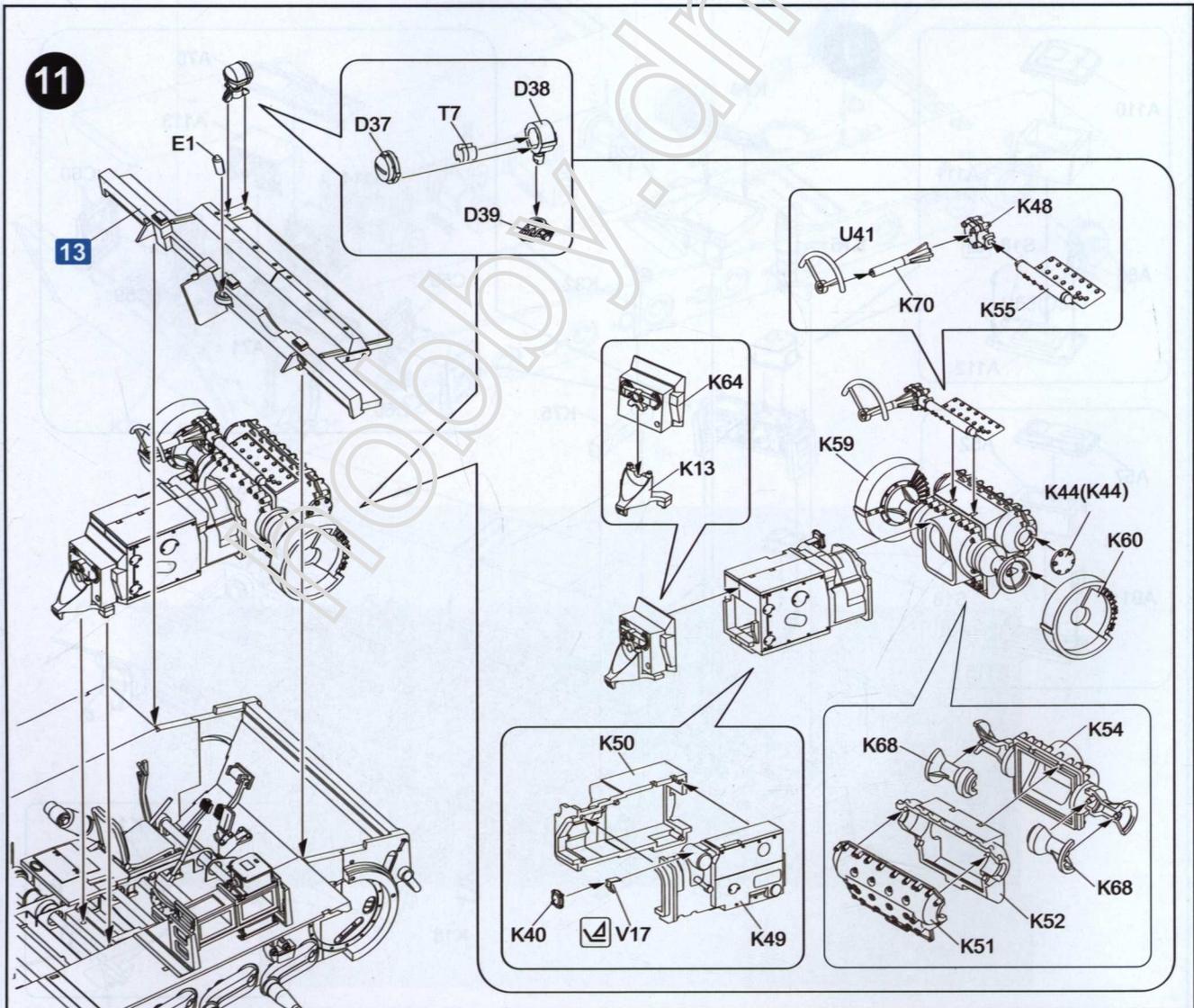
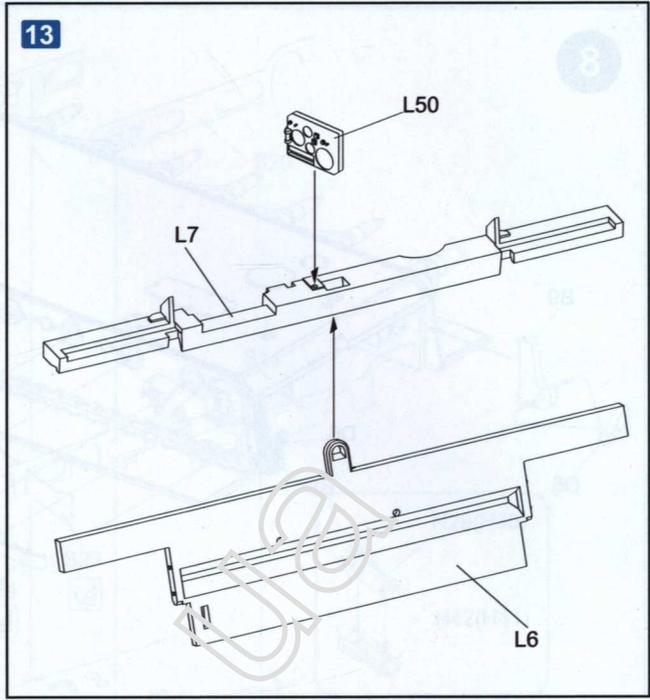
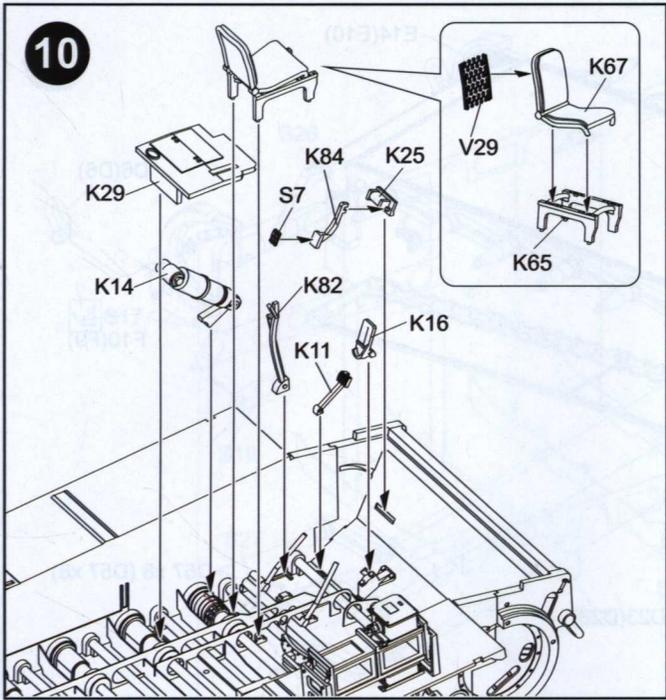


Open
打开

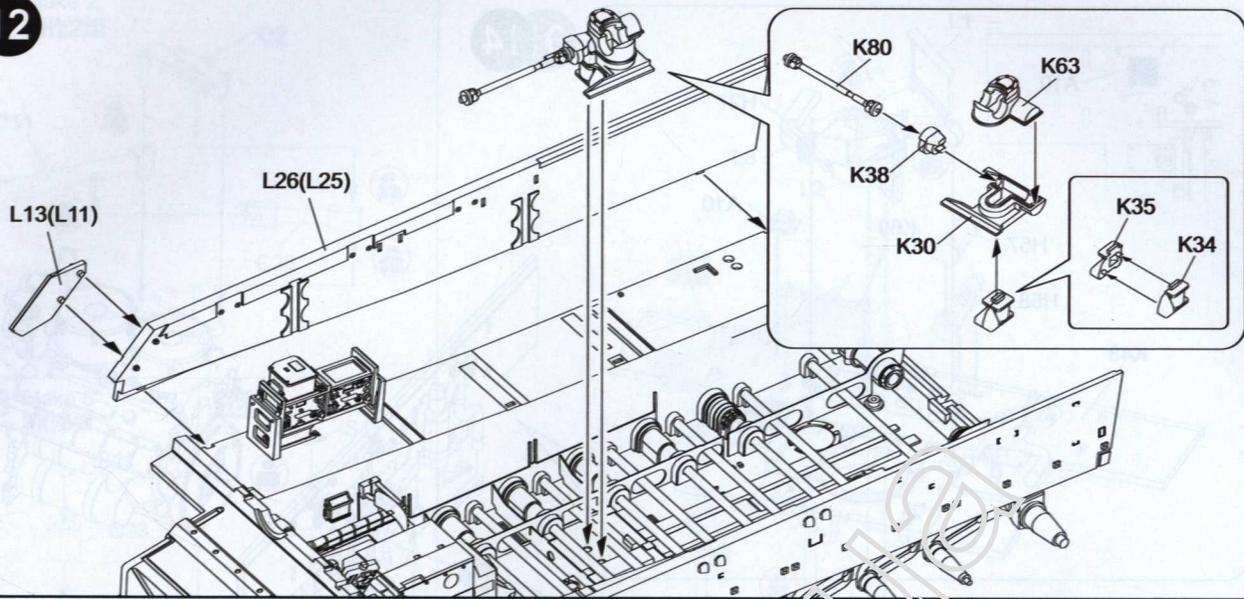


7

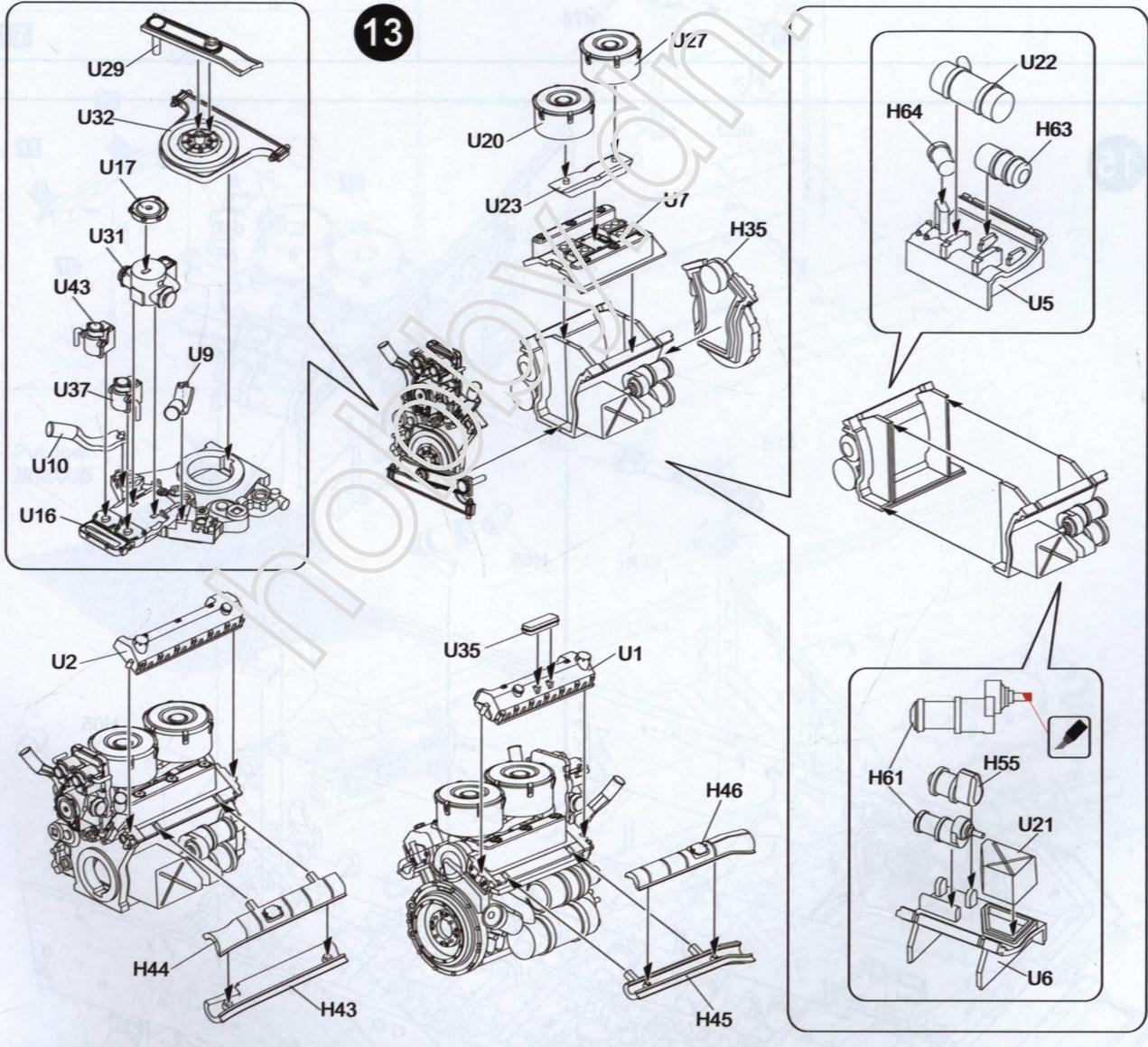


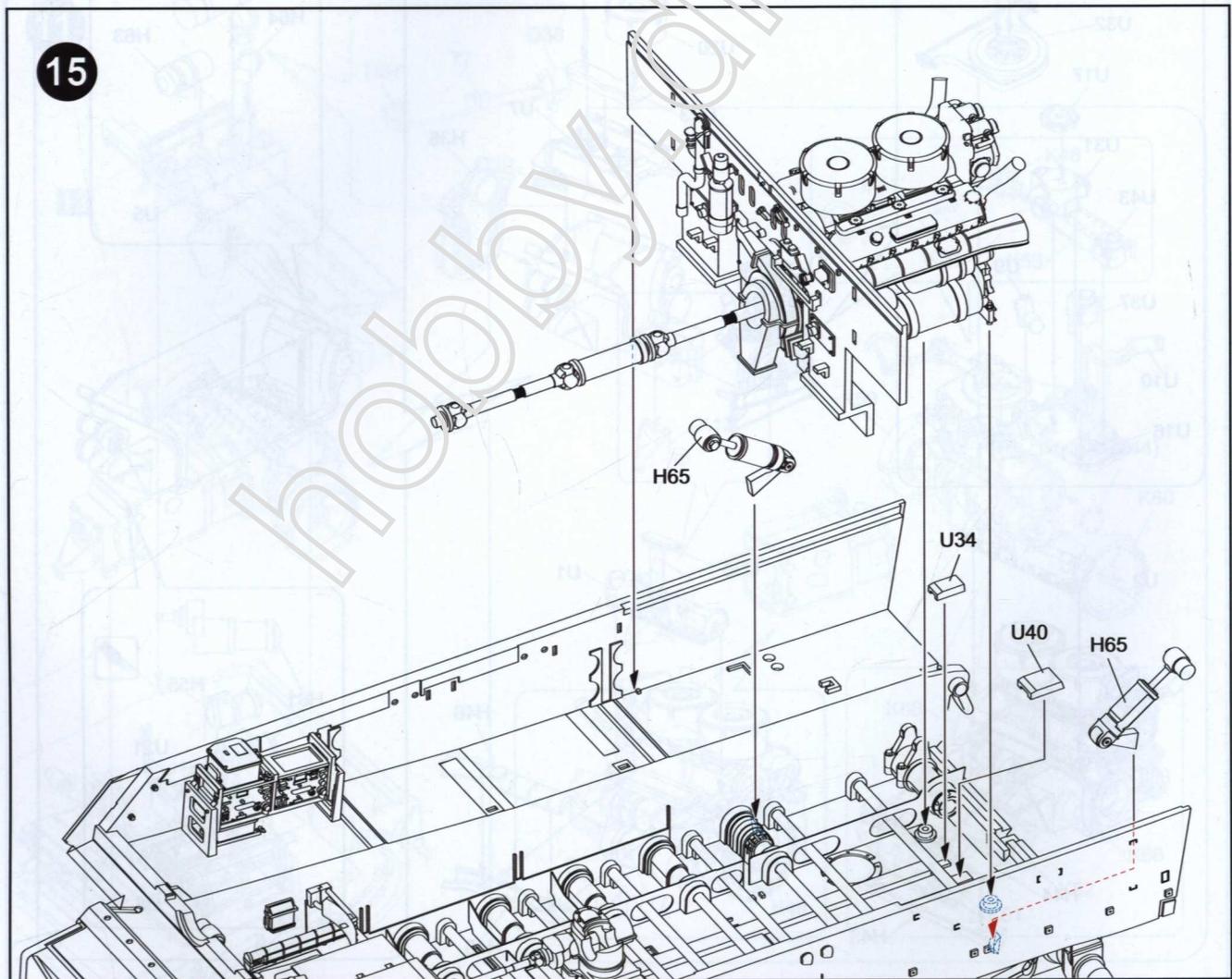
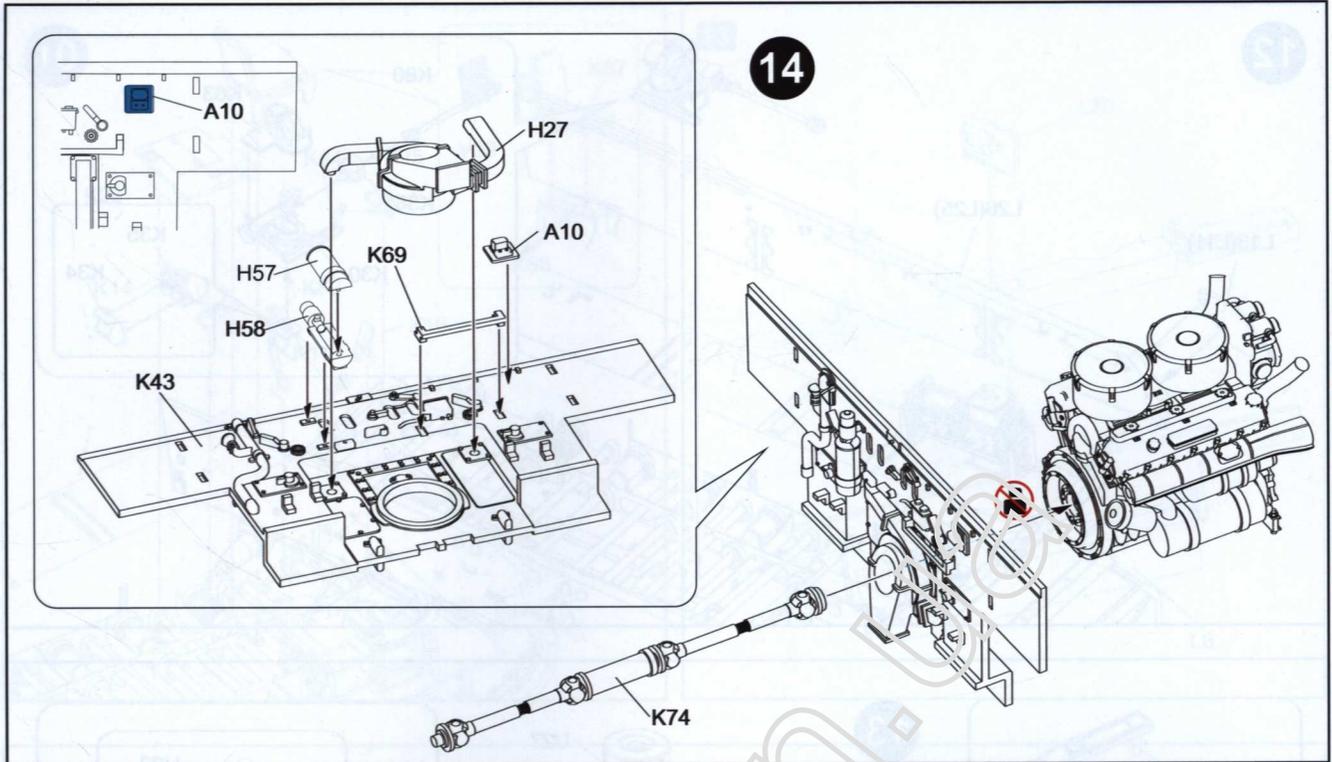


12

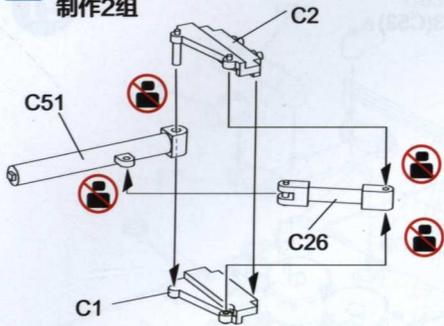


13

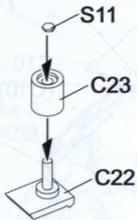




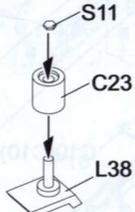
14 Make 2
制作2组



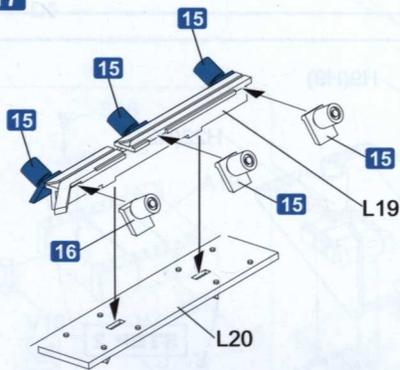
15 Make 5
制作5组



16



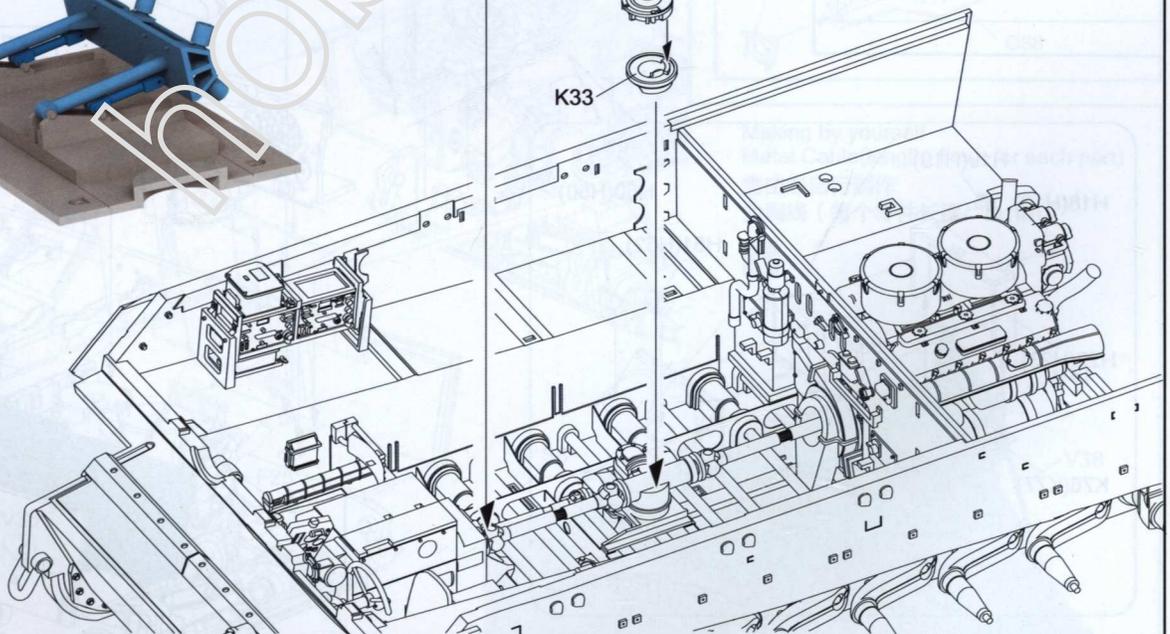
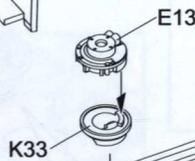
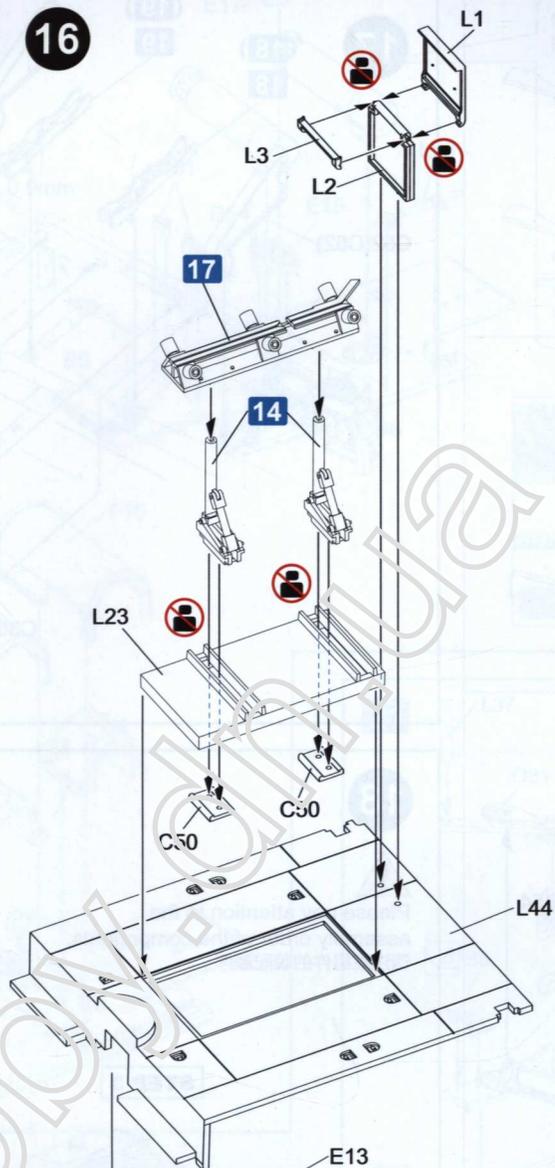
17



Put down
放倒状态

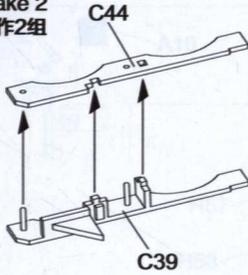


16



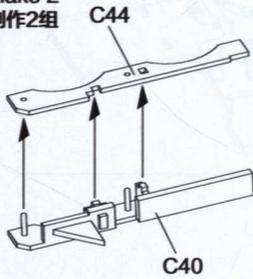
18

Make 2
制作2组



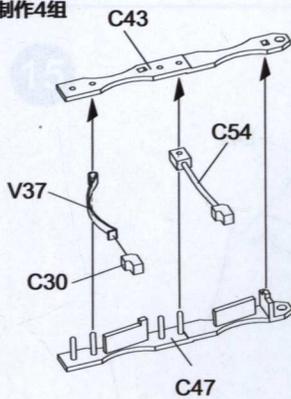
19

Make 2
制作2组

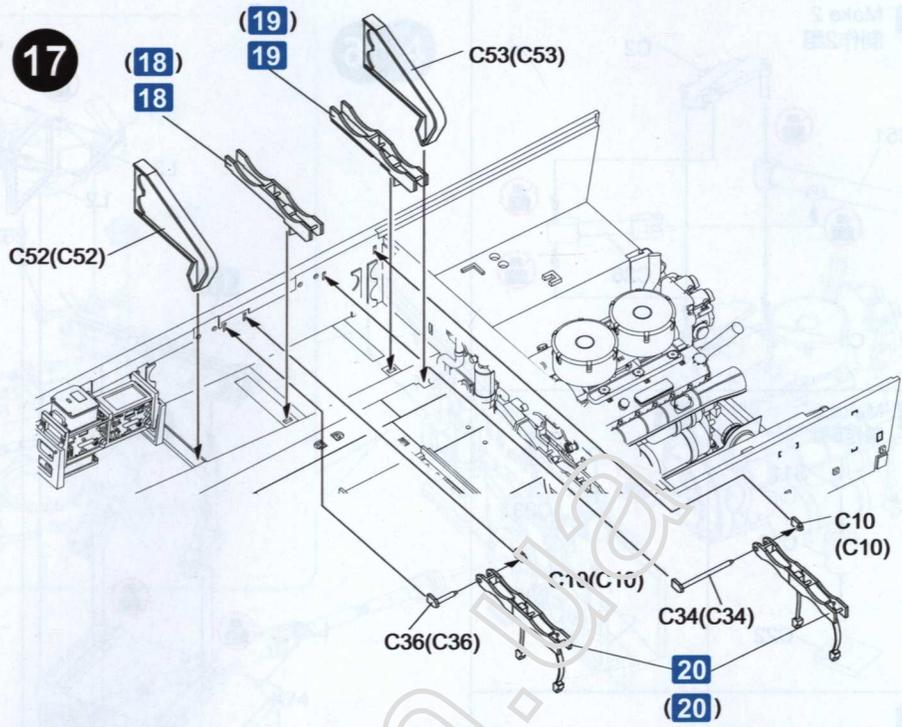


20

Make 4
制作4组



17



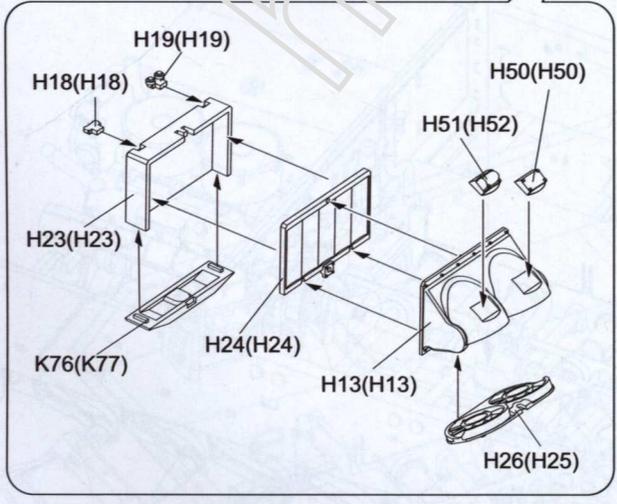
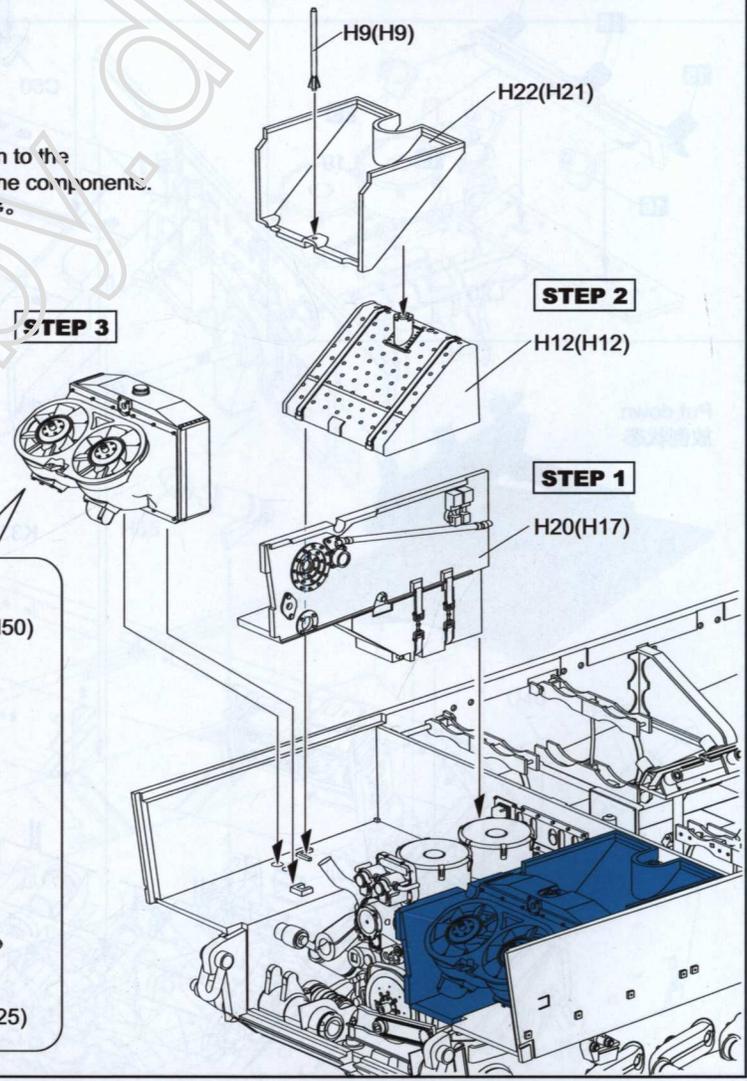
18

 Please pay attention to the assembly order of the components.
请注意组件的装配顺序。

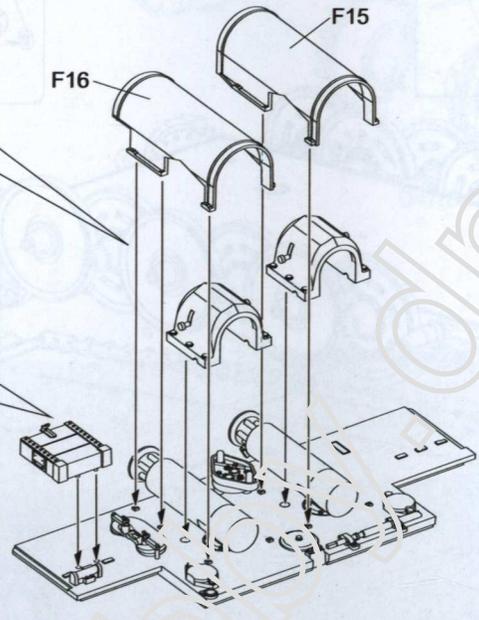
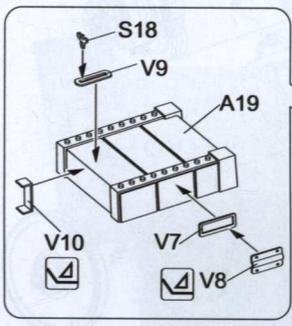
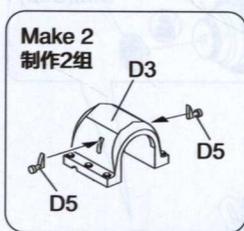
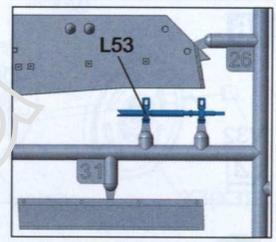
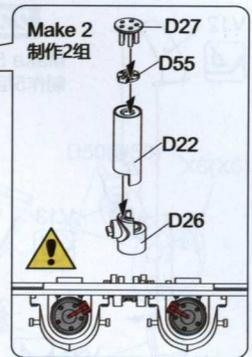
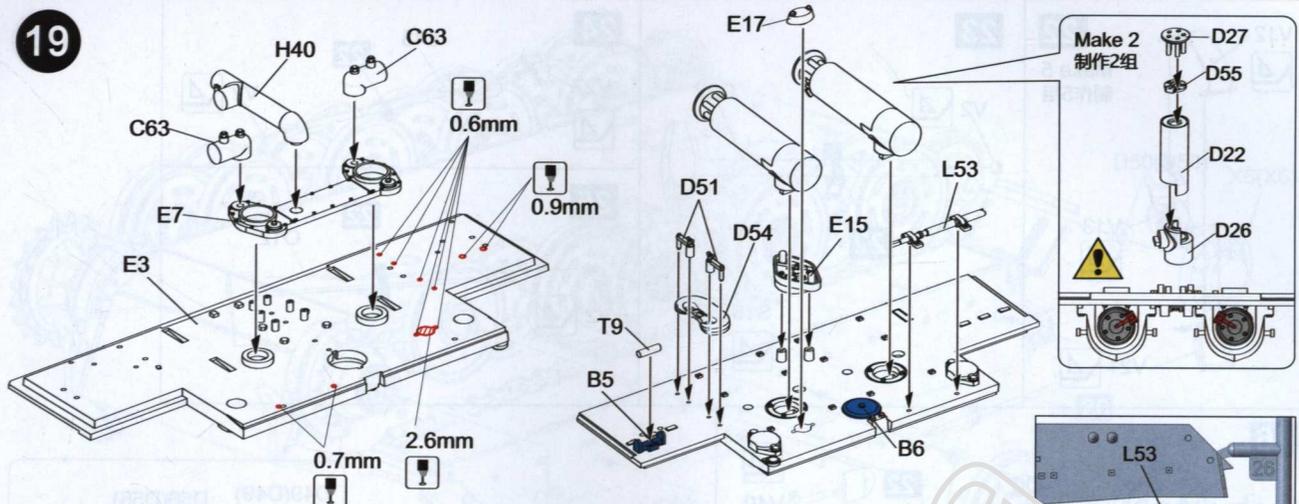
STEP 3

STEP 2

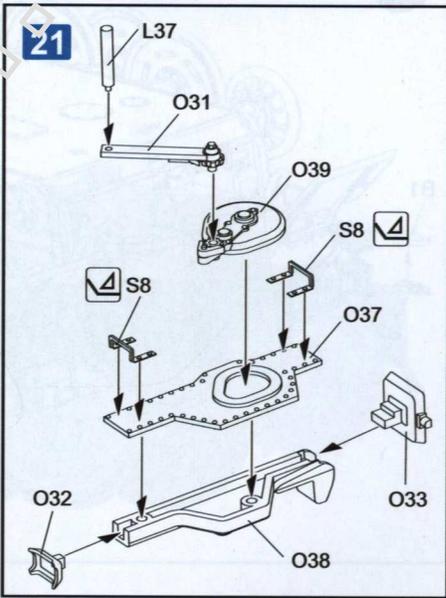
STEP 1



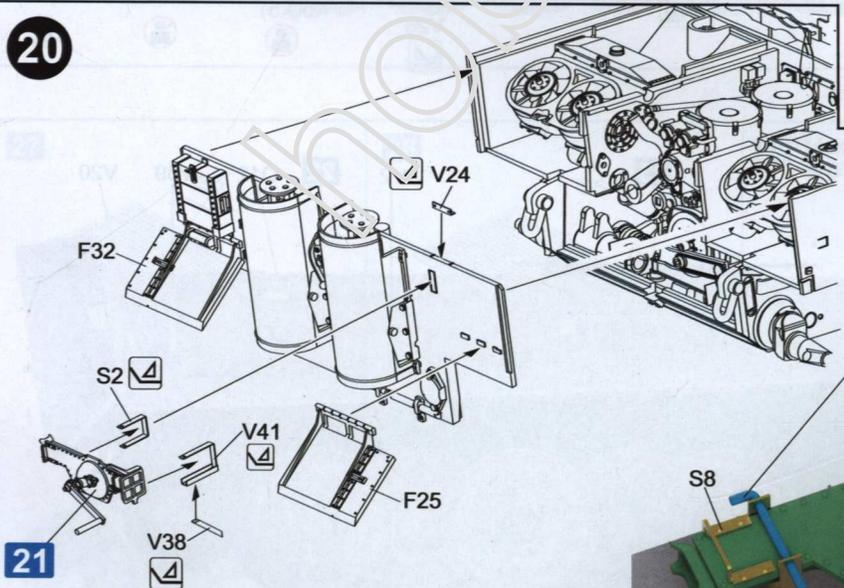
19



21



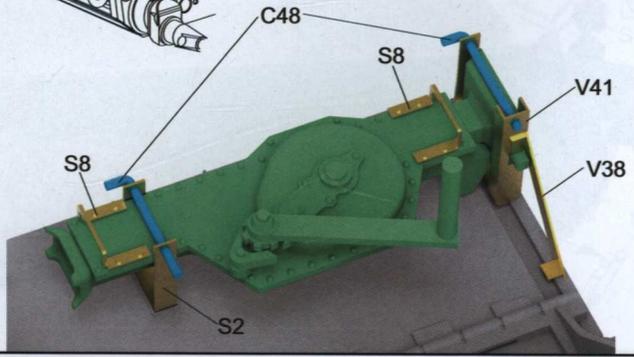
20

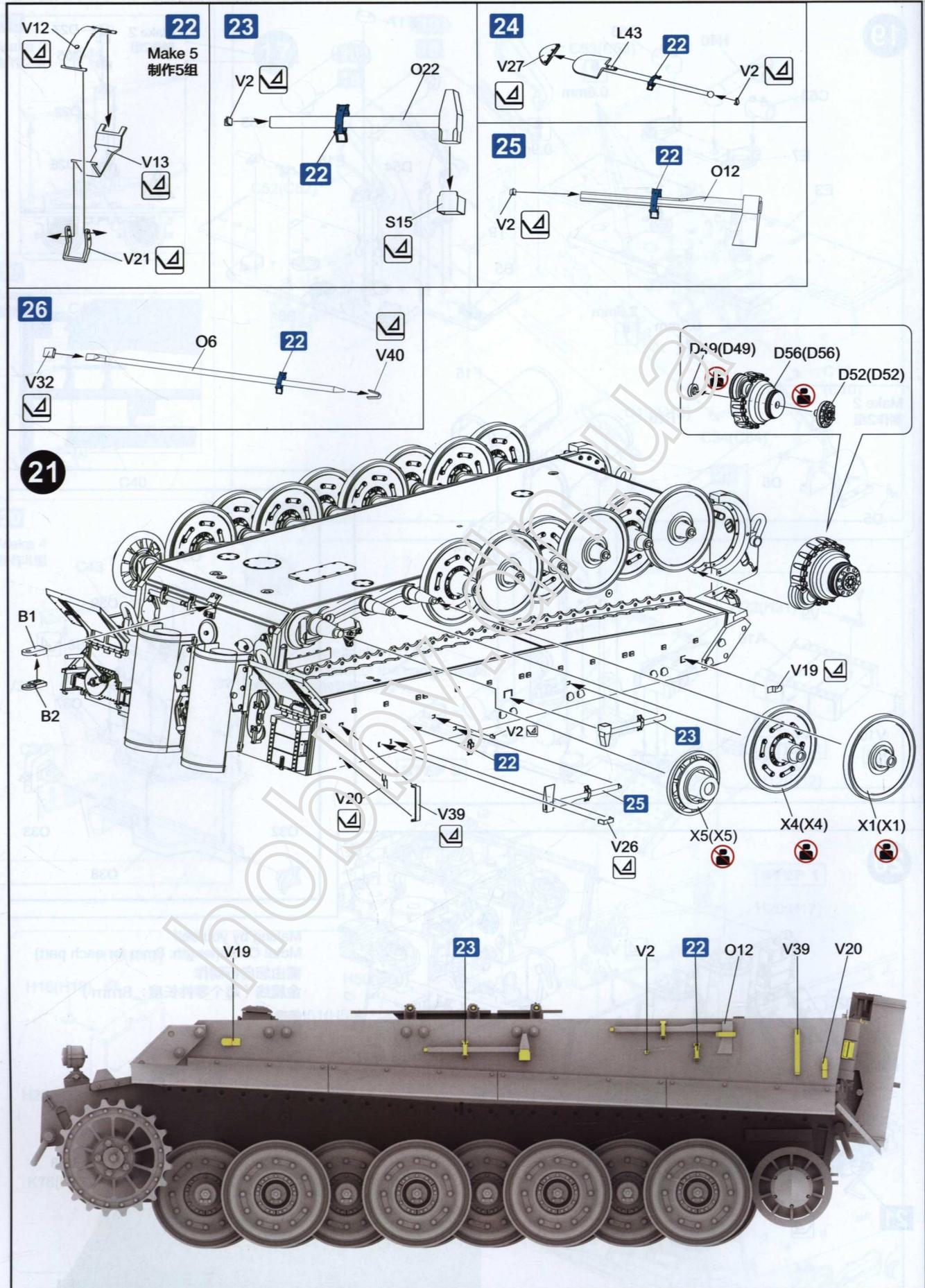


Making by yourself
 Metal Cable (length: 8mm for each part)
 需由您自行制作
 金属线 (每个零件长度: 8mm)

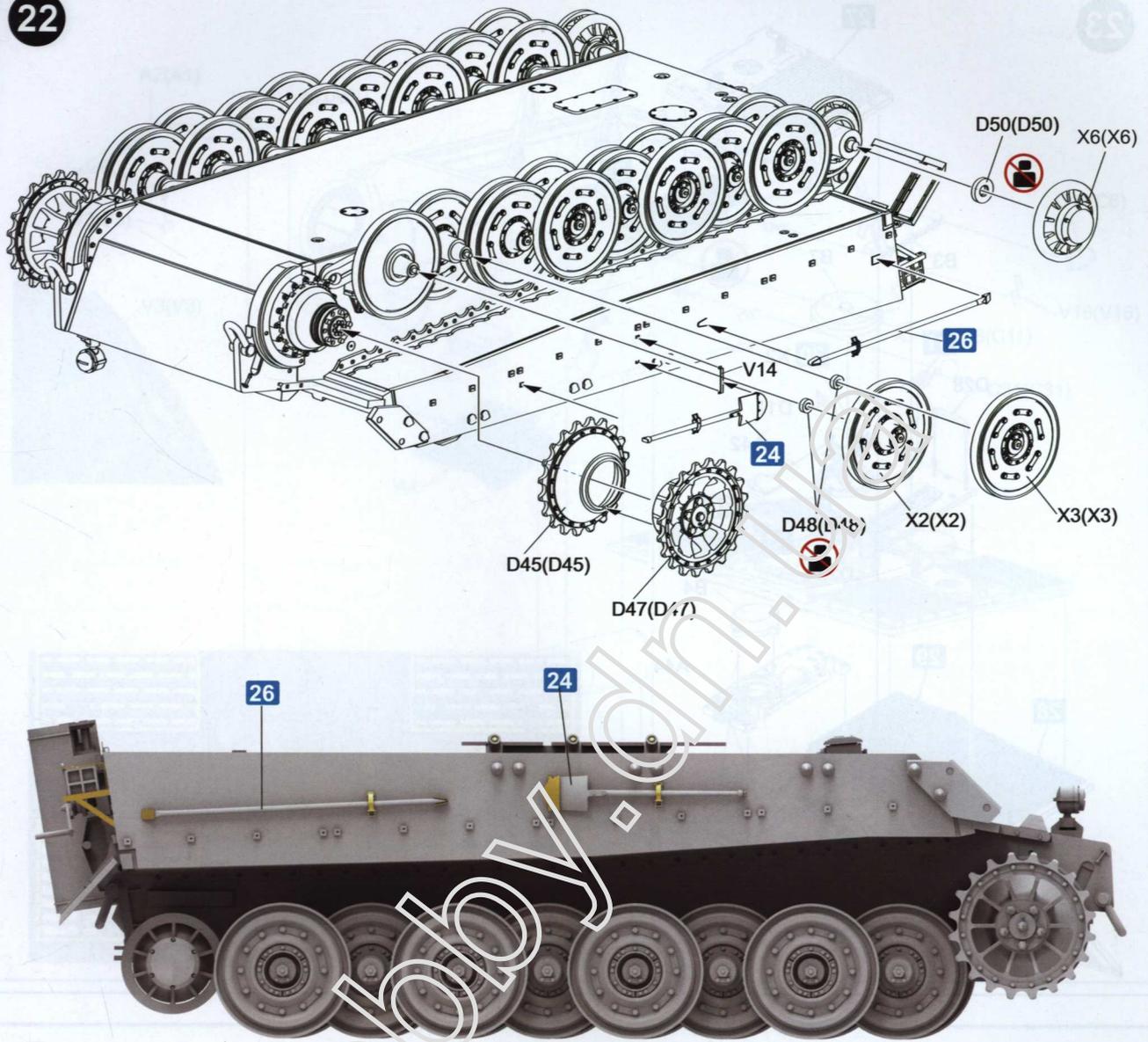


21

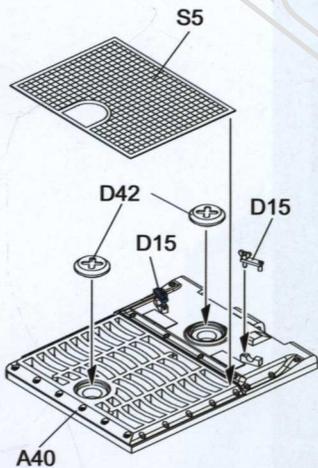




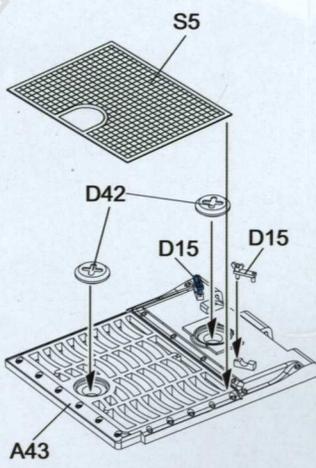
22



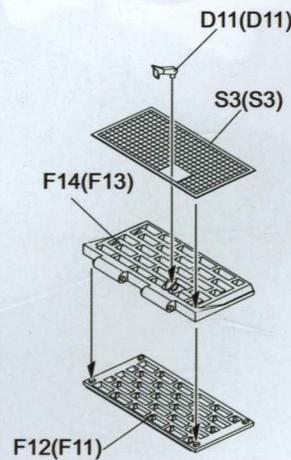
27



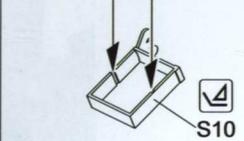
28



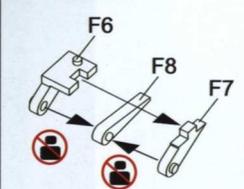
29 Make 2
制作2组



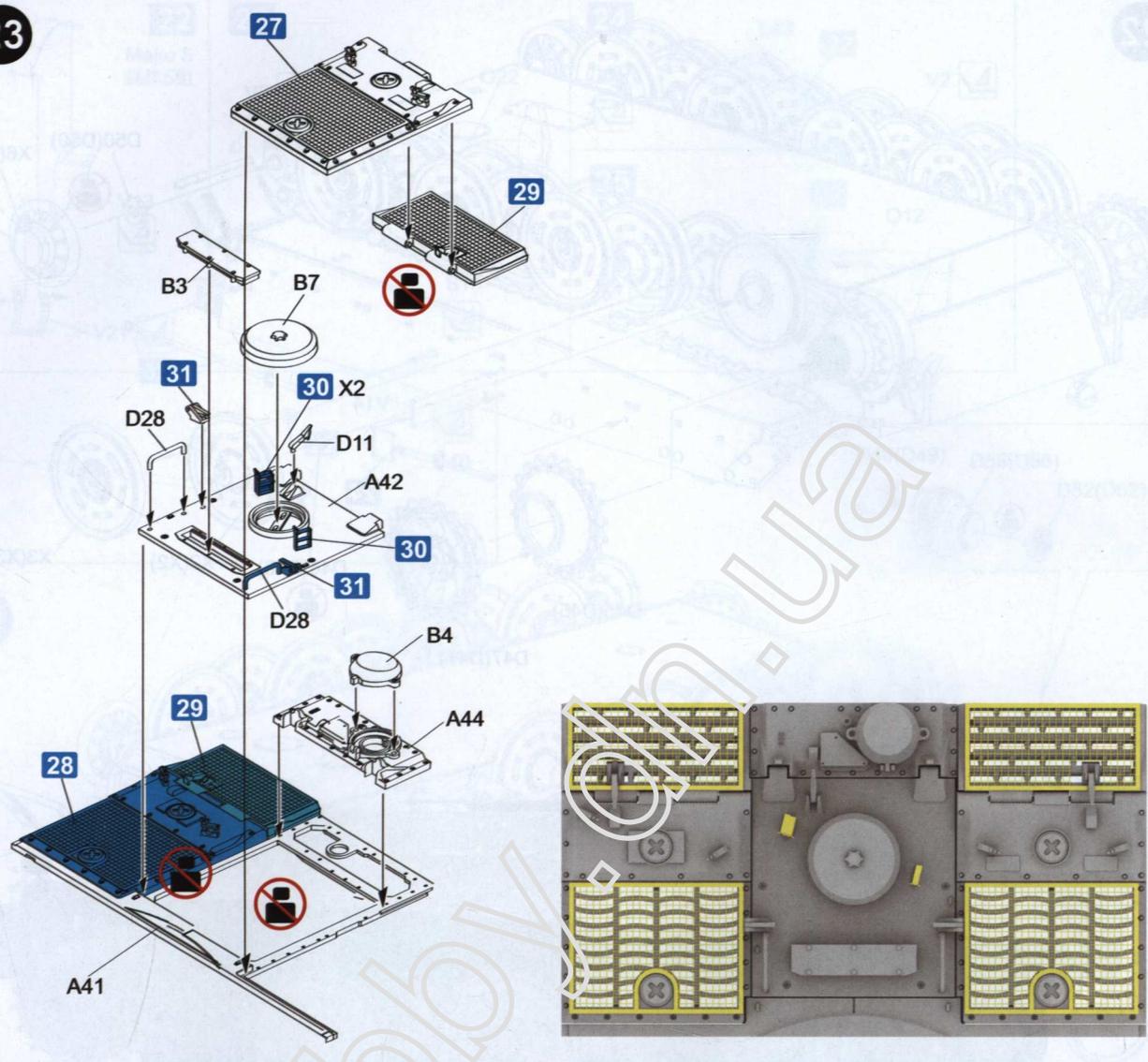
30 Make 3
制作3组



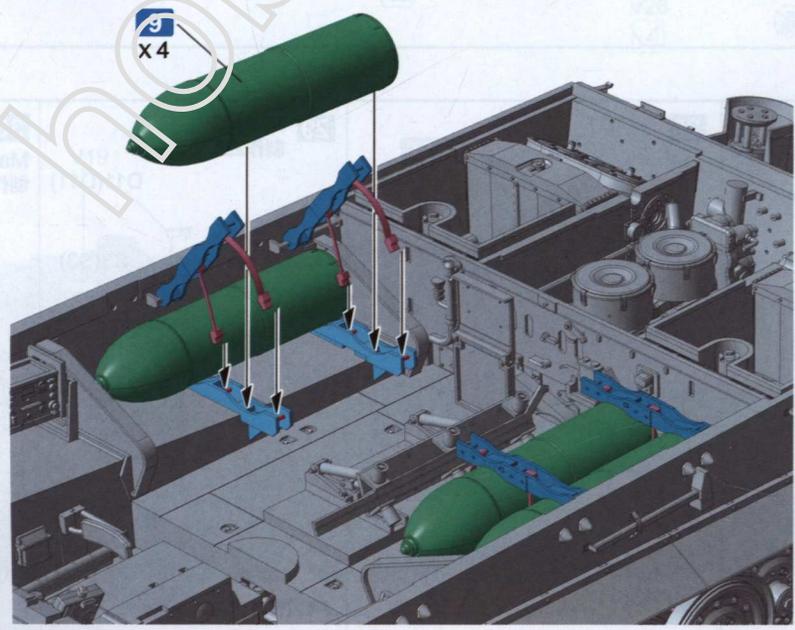
31 Make 2
制作2组



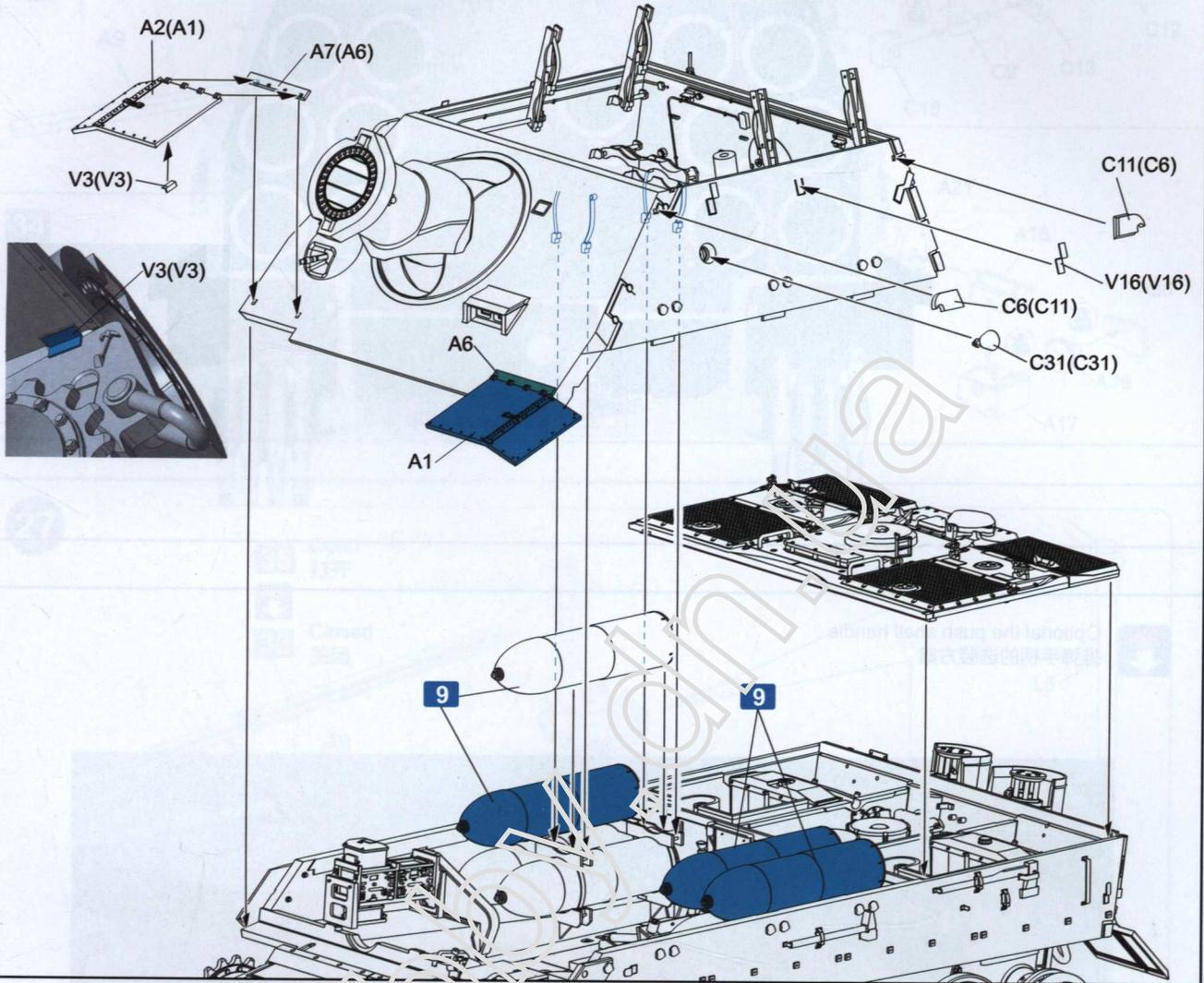
23



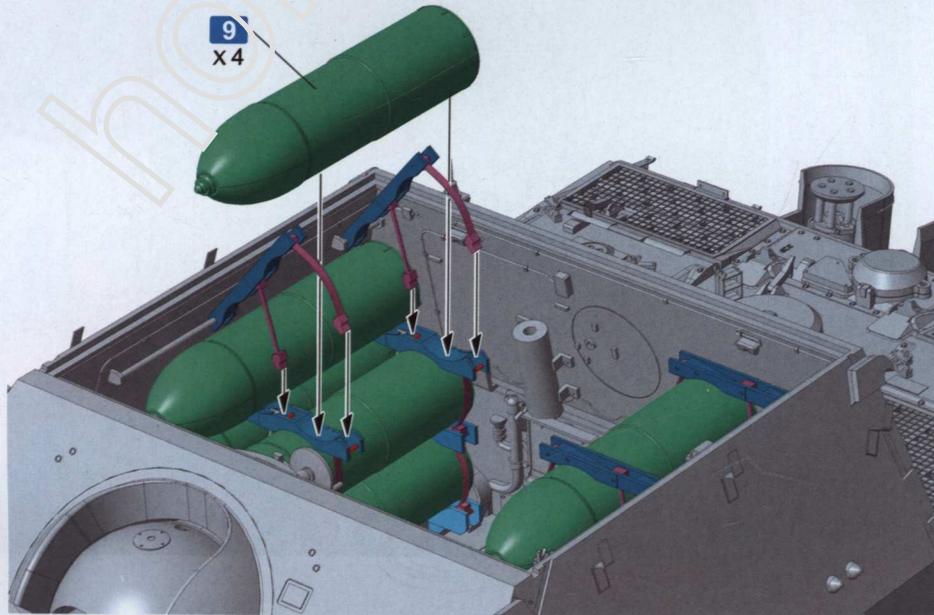
24



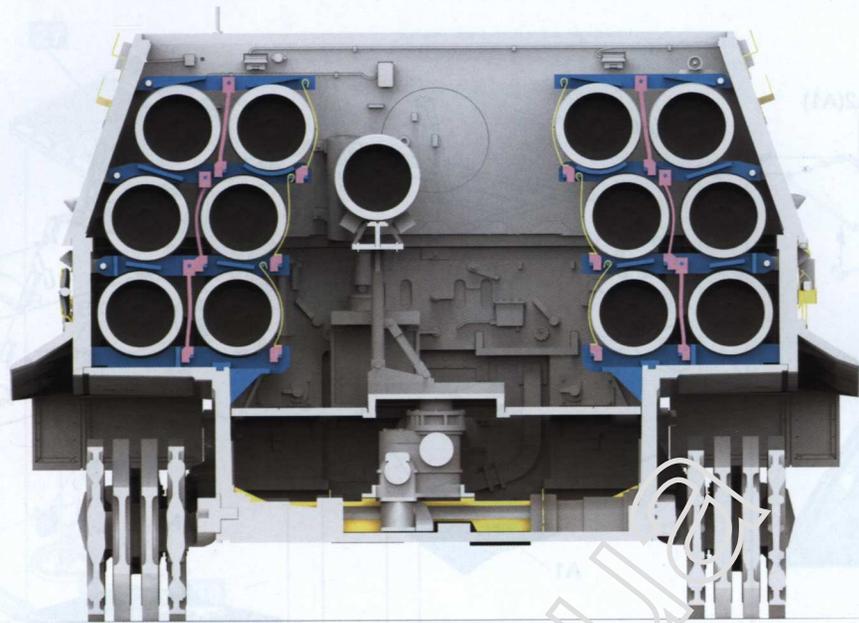
25



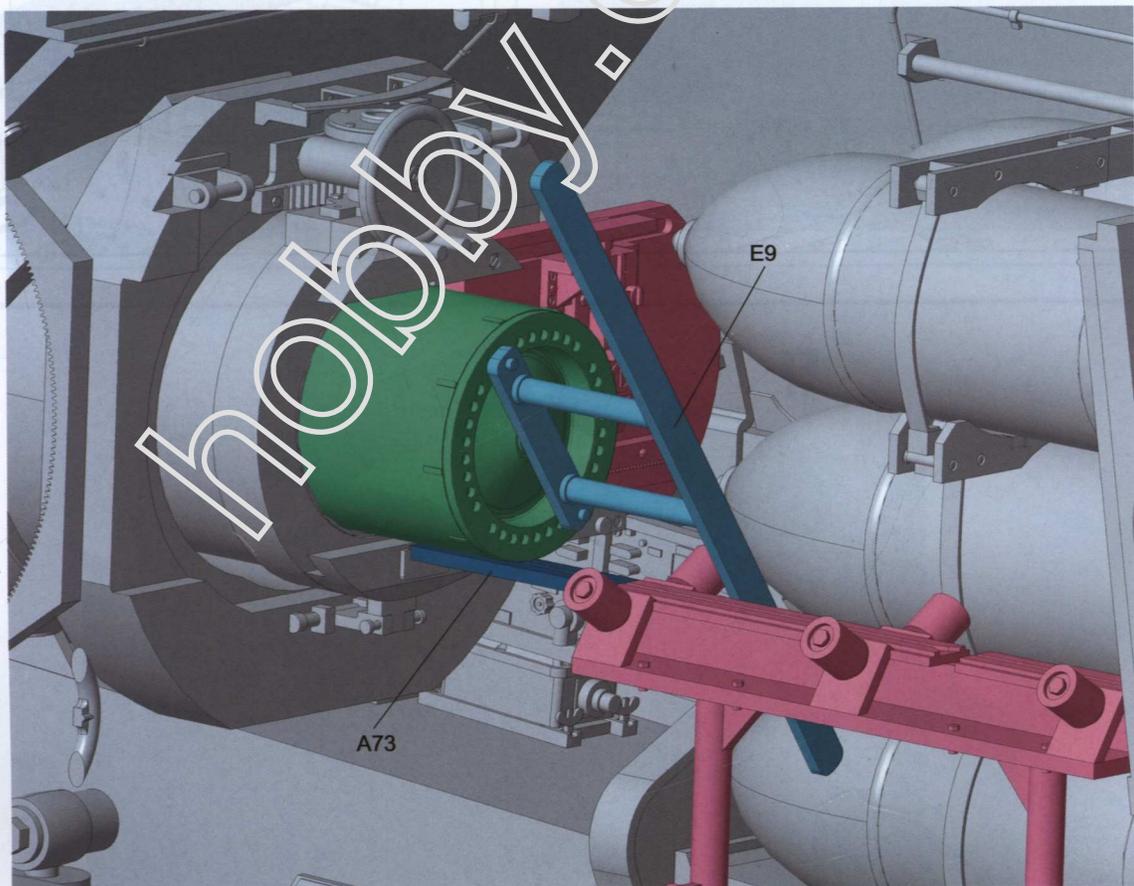
26

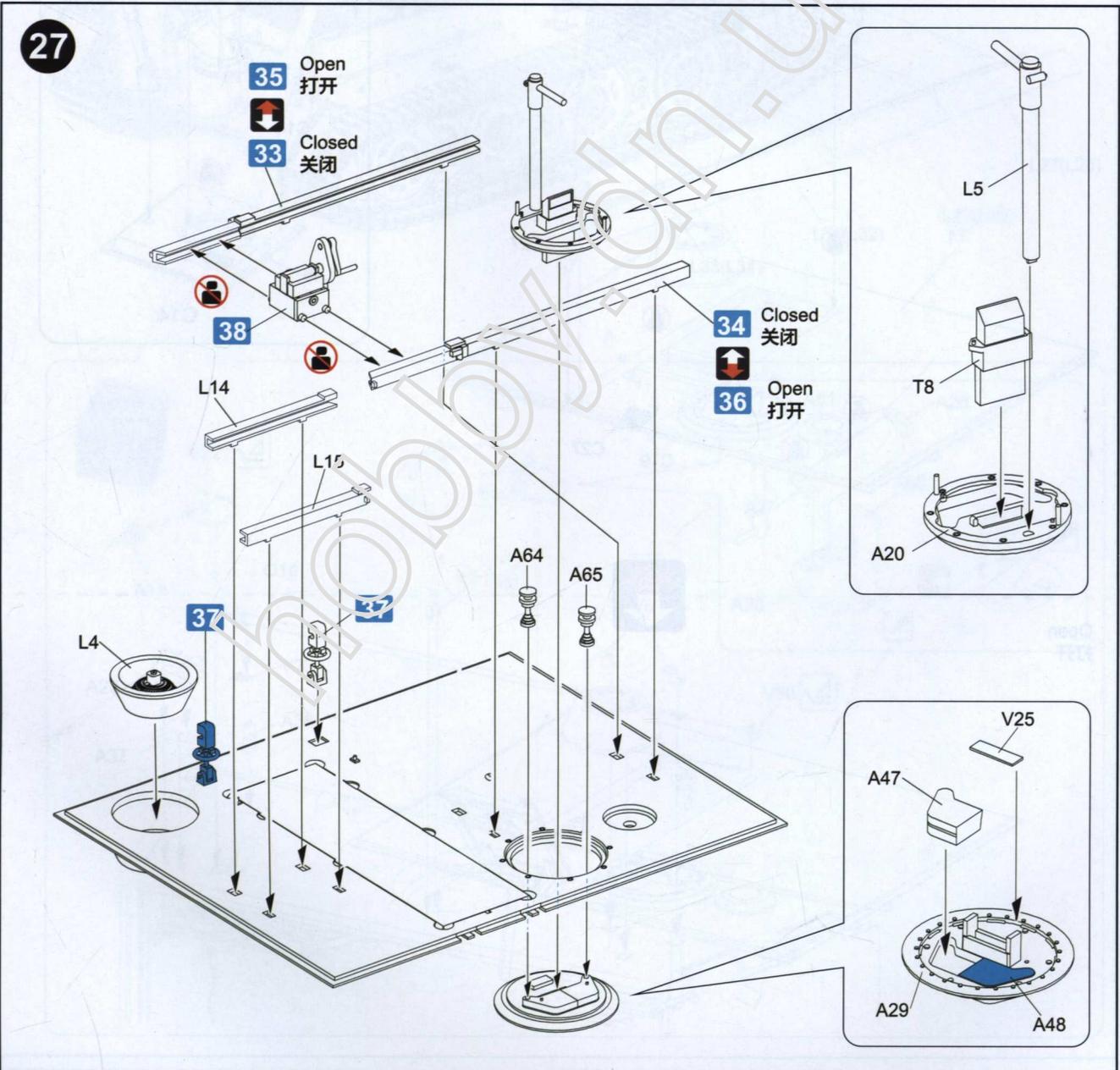
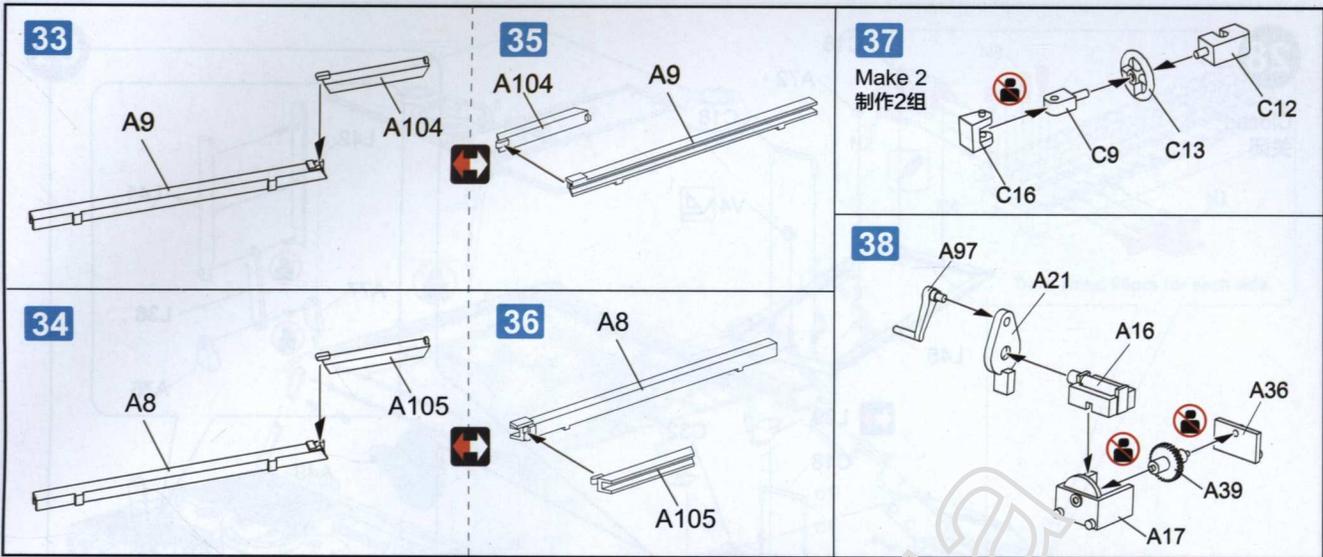


The layout of the shells
炮弹布局图



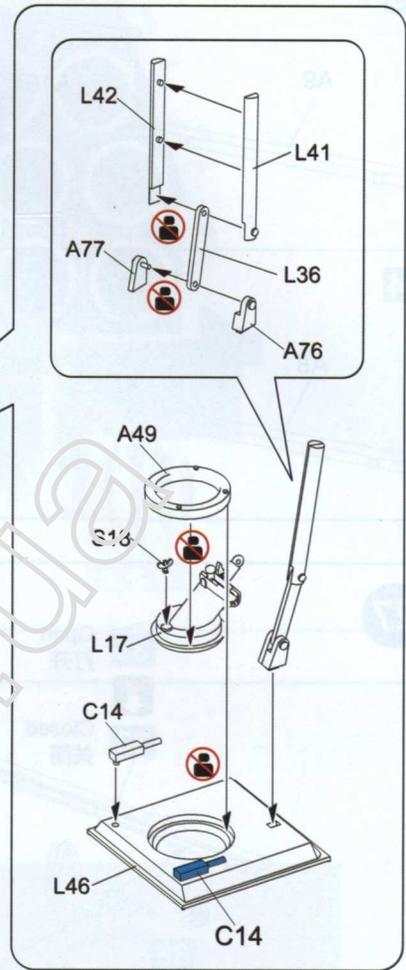
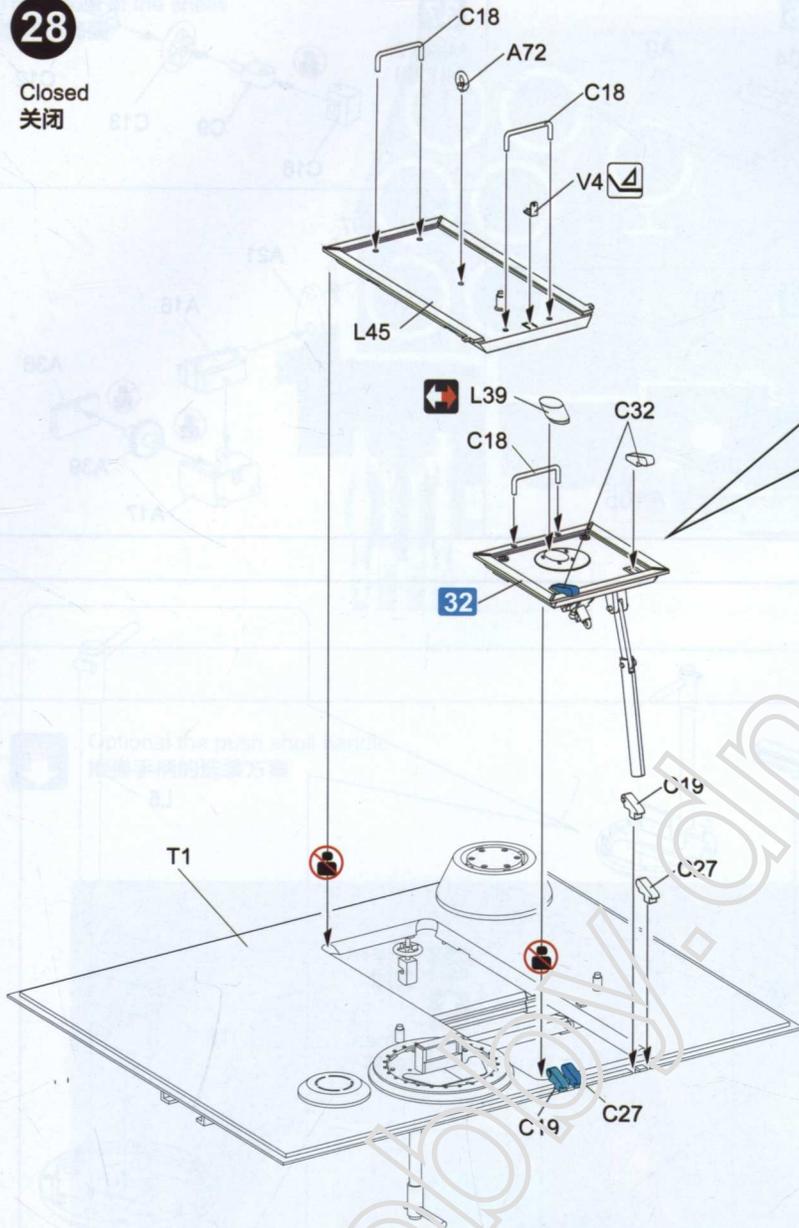
Optional the push shell handle
推弹手柄的选装方案



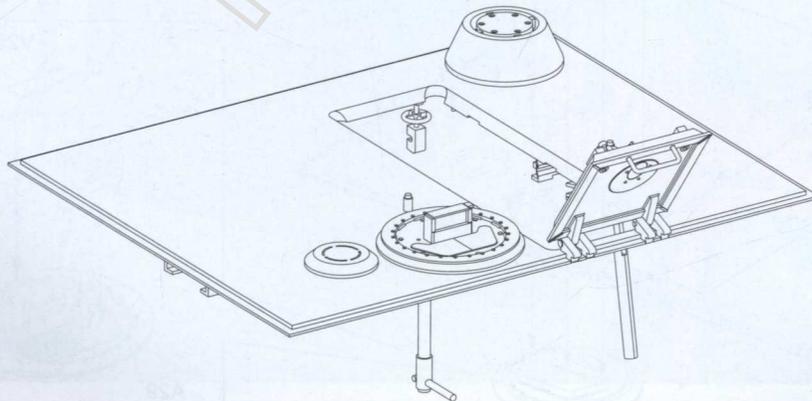


28

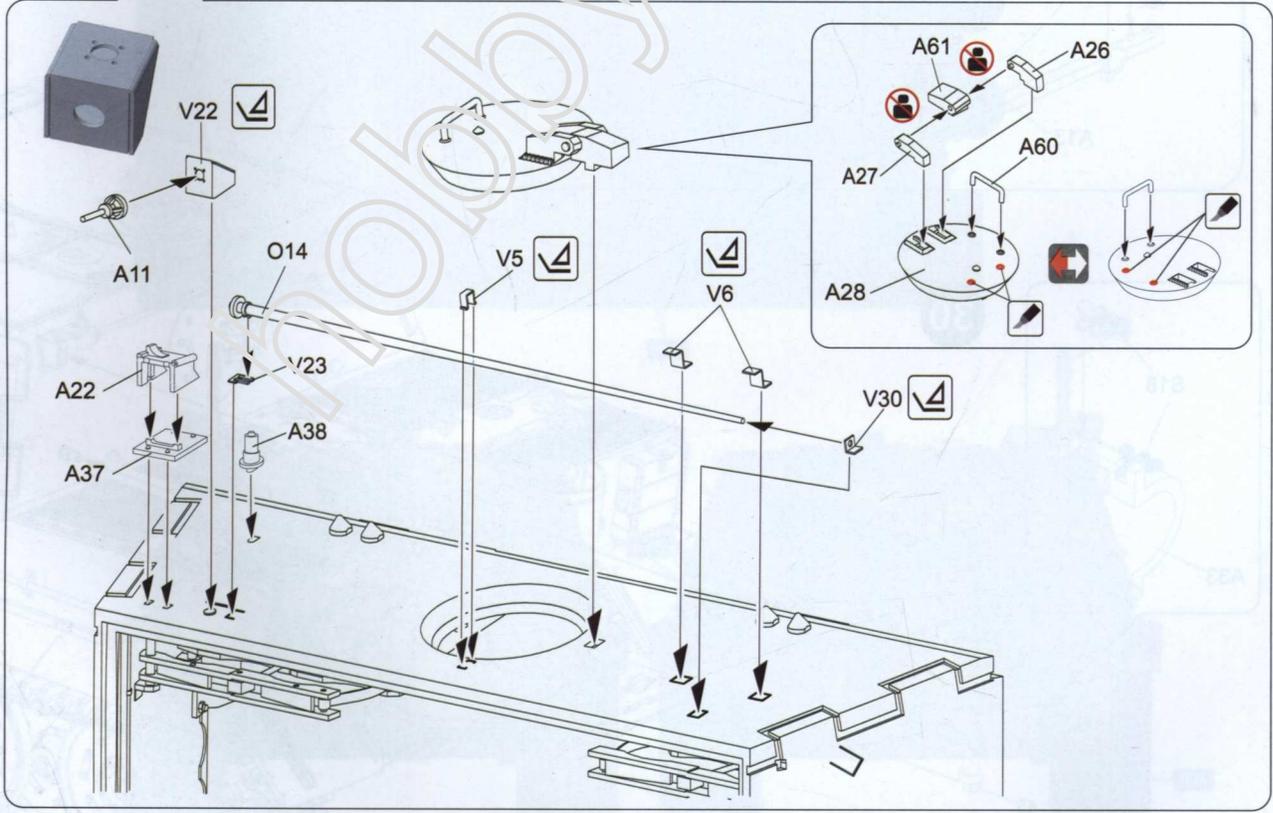
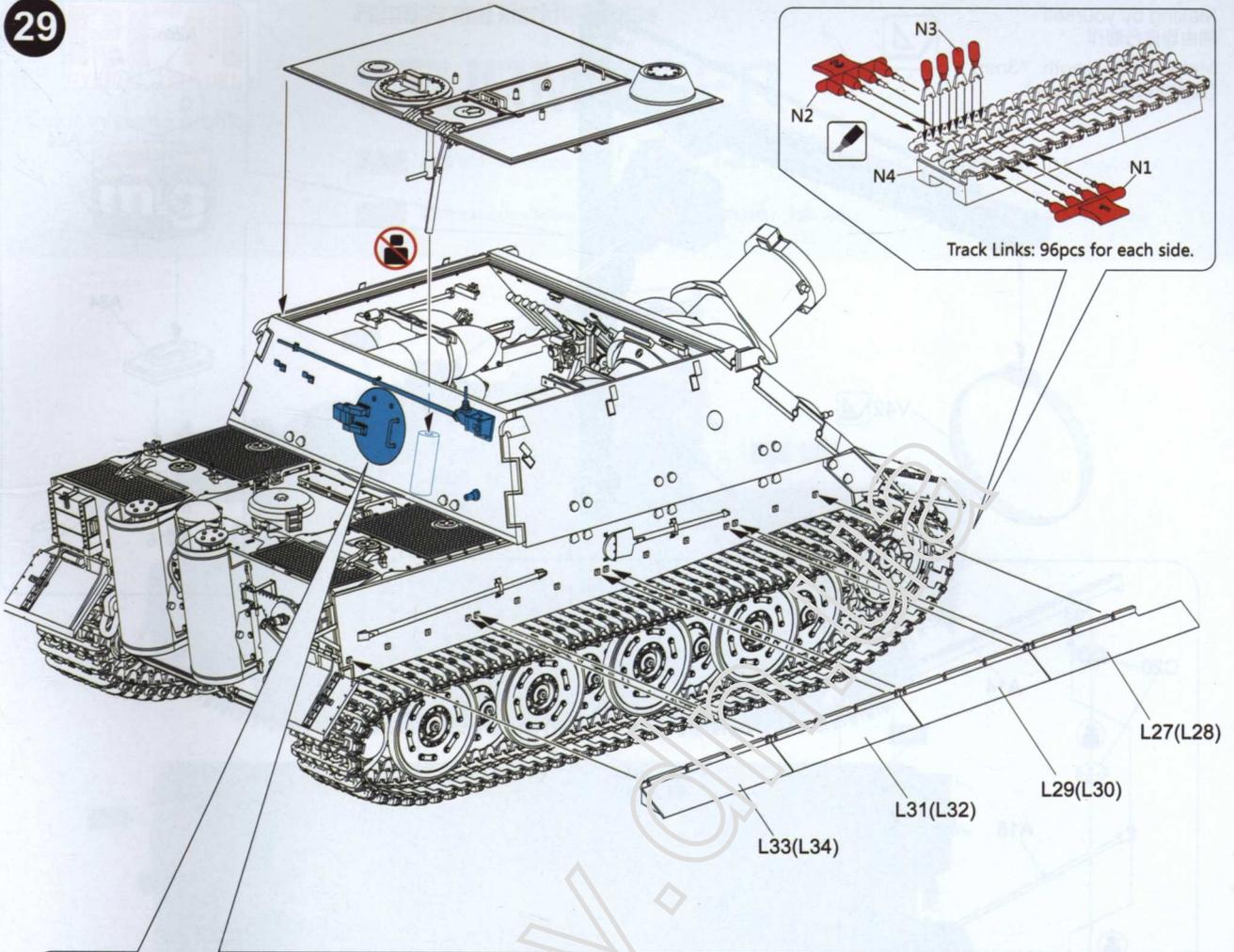
Closed
关闭



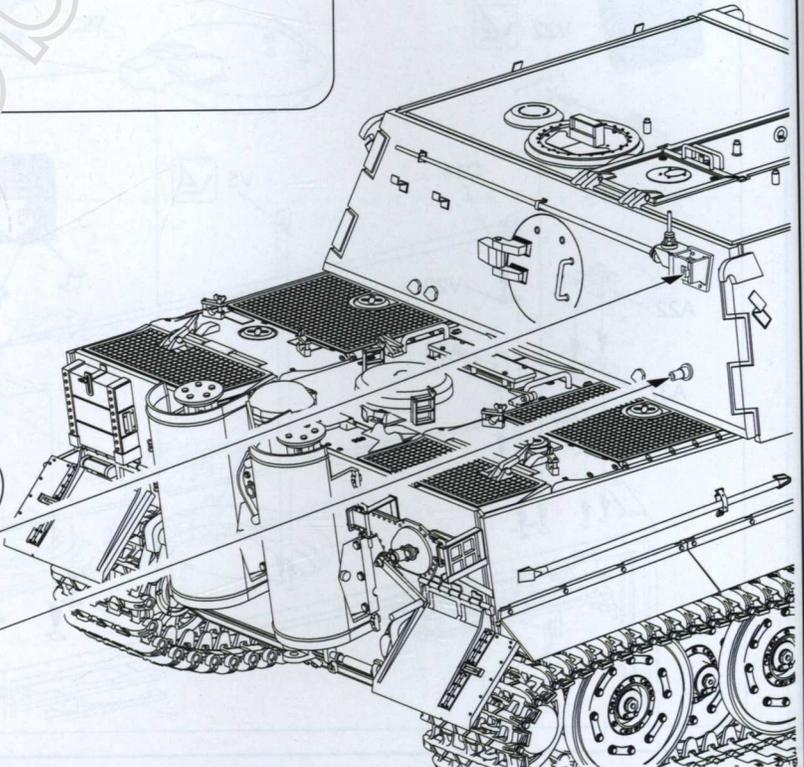
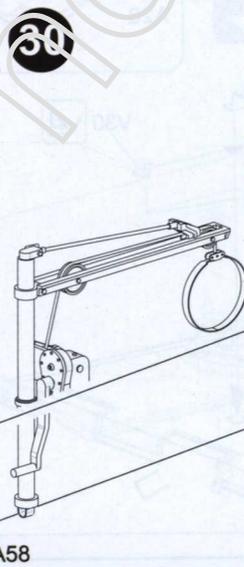
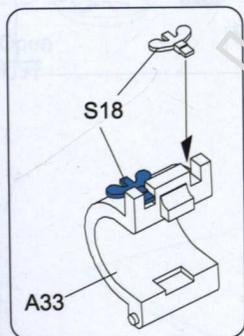
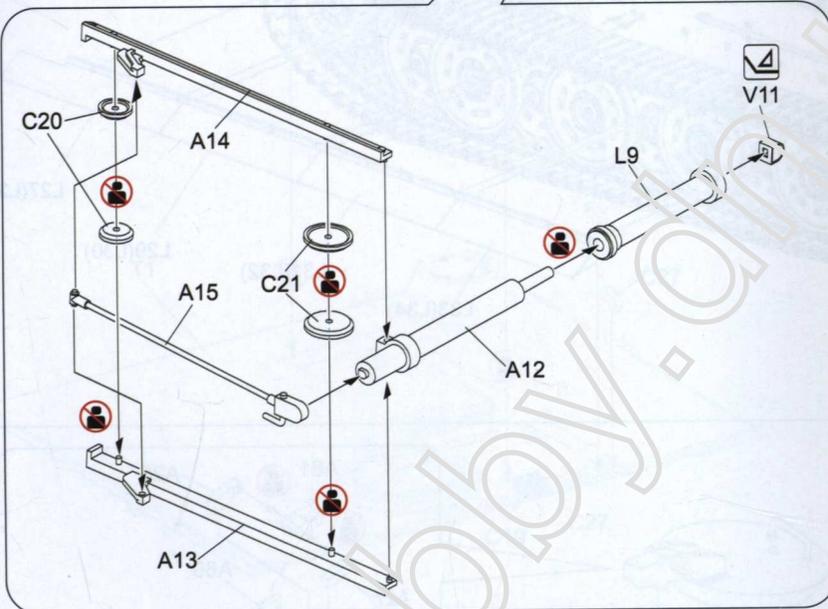
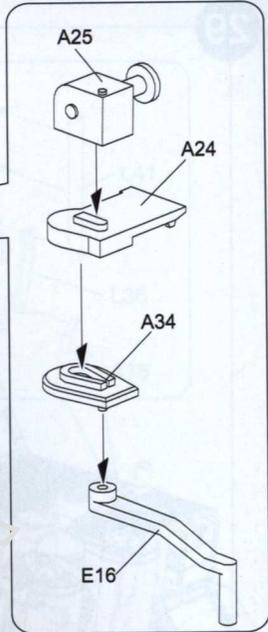
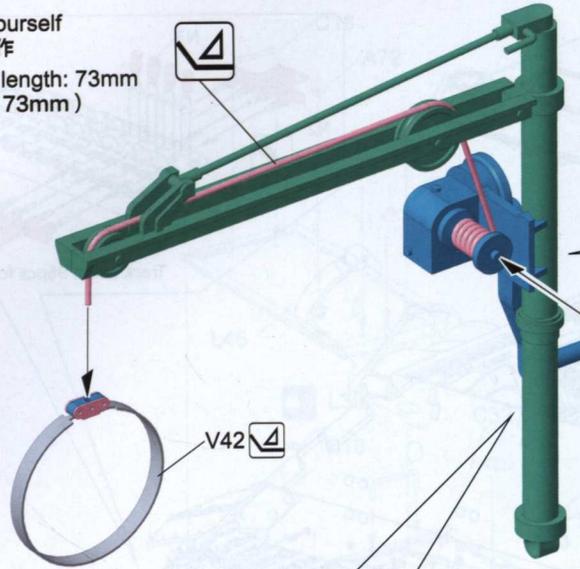
Open
打开



29



Making by yourself
 需由您自行制作
 Metal Cable length: 73mm
 (金属线长度: 73mm)





Painting and Marking Guide

STURMTIGER

- | | | |
|---|--|---|
|  A.MIG 003 Resedagrün |  A.MIG 011 Dunkelgelb AUS '44 DG1 |  A.MIG 015 Schokobraun |
|  A.MIG 035 Dark Tracks |  A.MIG 037 New Wood |  A.MIG 045 Gun Metal |





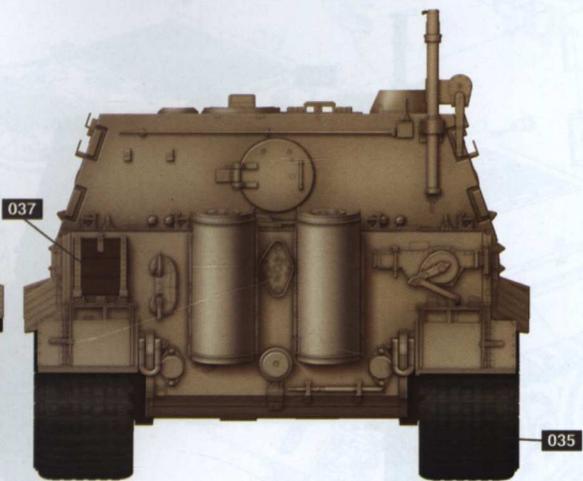
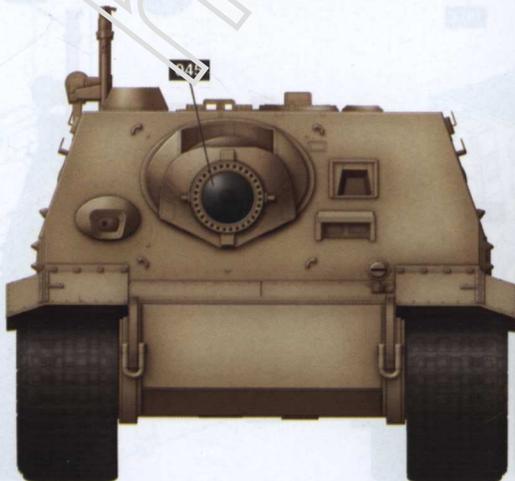
STURMTIGER

A.MIG 010 Dunkelgelb

A.MIG 035 Dark Tracks

A.MIG 037 New Wood

A.MIG 045 Gun Metal



Color info and profiles by

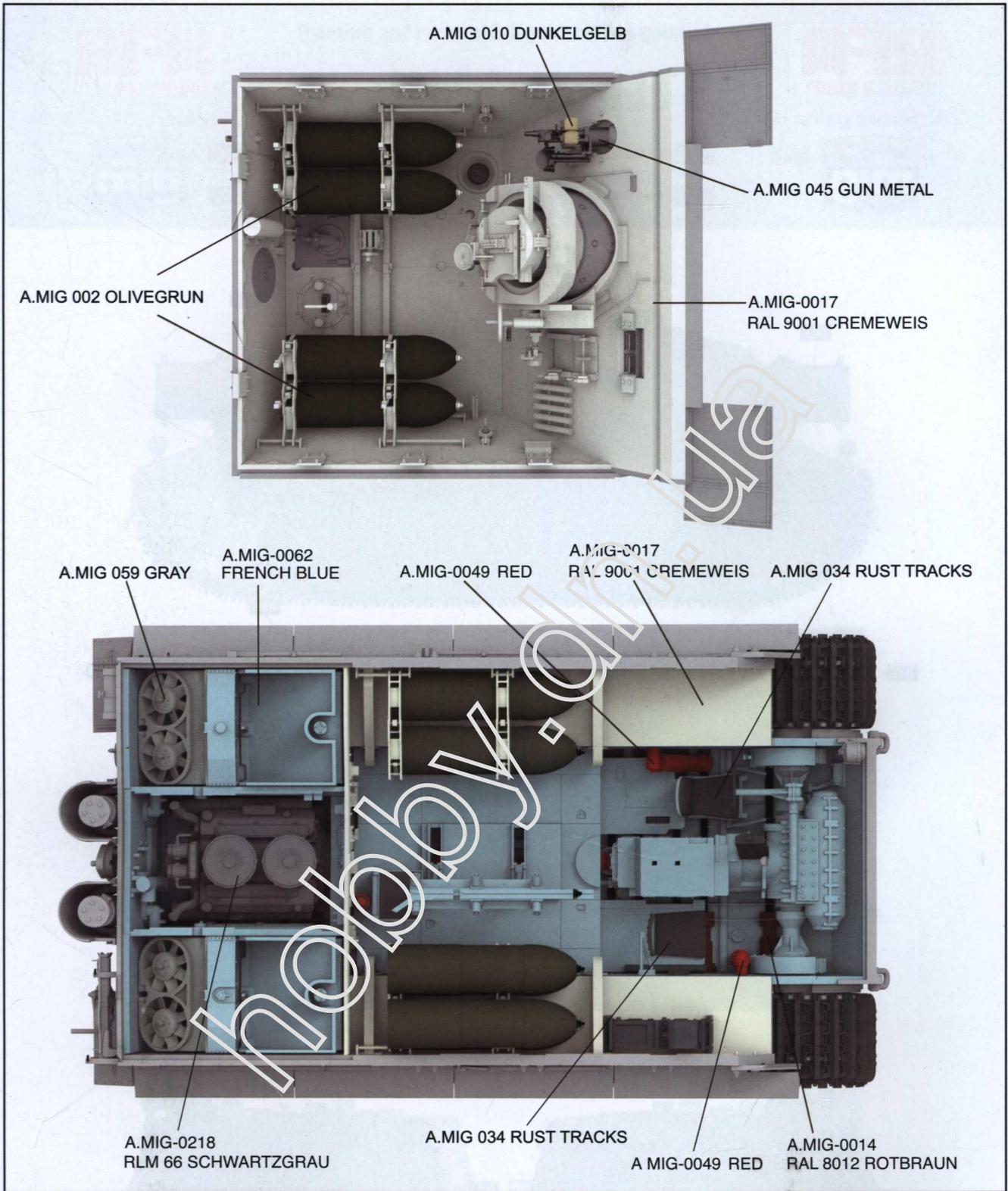


Painting and Marking Guide

STURMTIGER

- | | | |
|---|--|---|
|  A.MIG 003 Resedagrün |  A.MIG 010 Dunkelgelb |  A.MIG 014 Rotbraun |
|  A.MIG 035 Dark Tracks |  A.MIG 037 New Wood |  A.MIG 045 Gun Metal |





FACEBOOK



微信公众号

RYEFIELD MODELS (HK) CO., LTD.
香港麦田模型玩具有限公司

Business / 业务与合作: info@ryefield-model.com
Support / 售后支持: support@ryefield-model.com
Website / 网站: www.ryefield-model.com
COPYRIGHT © 2018 ALL RIGHTS RESERVED

RFM
RYEFIELD MODEL®