



5018
MILITARY MINIATURE SERIES

PANTHER Ausf.G

GERMAN MEDIUM TANK Sd.Kfz.171

ドイツ中戦車 Sd.Kfz.171 パンターG型 前期型/後期型
 德国中型坦克 Sd.Kfz.171 “黑豹”G型 初期型/后期型

ASSEMBLY ICONS



OPTIONAL
选择



CEMENT
膠水



DO NOT CEMENT
不使用膠水



INSTANT CEMENT
瞬間接著劑



BEND
彎折



MAKE 2
製作2組



OPEN HOLE
鑽孔



REMOVE
切除



BE CAREFUL
注意



APPLY DECAL
貼上水貼紙

CAUTION!

Read carefully and fully understand the instructions before commencing assembly.
 Supervising adult should also read the instructions if a child assembles the model.
 When you used glue or paint, do not use near a naked flame, and use in a well-ventilated room.
 When assembling this kit, tools including knives are used. Extra care should be taken to avoid personal injury.
 Read and follow the instructions supplied with paints and/ or cement. Use plastic cement and paints only.
 Keep out of reach of small children. Children must not be allowed to suck any part, or pull vinyl bag over the head.

在裝配前仔細閱讀說明並完全理解。小孩裝配時需成人看護且需仔細閱讀說明。
 使用膠水和油漆時，應遠離火源並打開窗戶保持空氣流通。
 製作時請格外注意工具刀和零件的鋒利尖銳部分，避免對身體造成傷害。
 在使用膠水和油漆前仔細閱讀注意事項，按照說明正確使用膠水和油漆。
 請將本品放在兒童接觸不到的地方，套件中的塑膠包裝袋會對兒童造成窒息的危險。



PANTHER Ausf. G

Included combat damage parts of turret and hull

Painting and Marking Guide

 A.MIG 002 Olivgrün Opt.2	 A.MIG 010 Dunkelgelb Mid War	 A.MIG 015 Schokobraun
 A.MIG 033 Rubber & Tires	 A.MIG 035 Dark Tracks	 A.MIG 036 Old Wood
 A.MIG 038 Light Wood	 A.MIG 042 Old Rust	 A.MIG 045 Gun Metal
 A.MIG 096 Crystal Periscope Green		

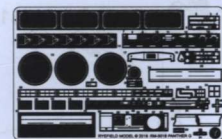
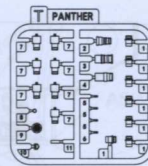
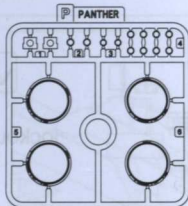
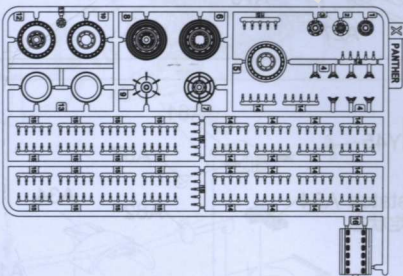
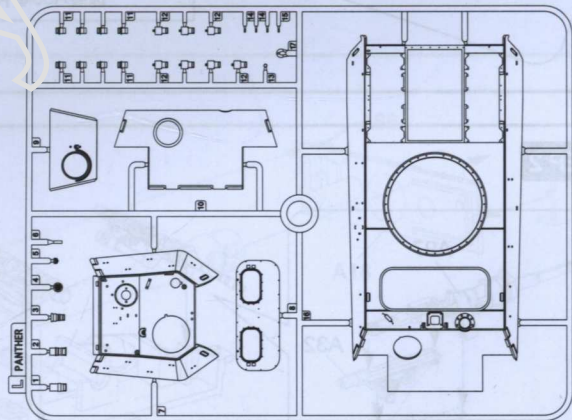
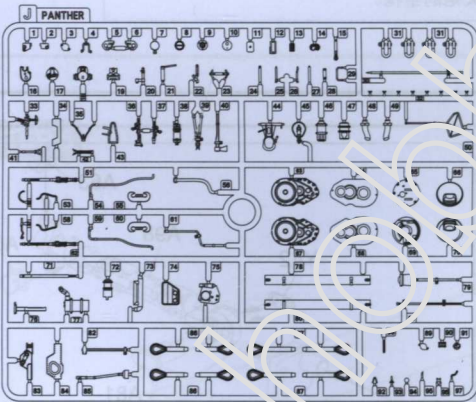
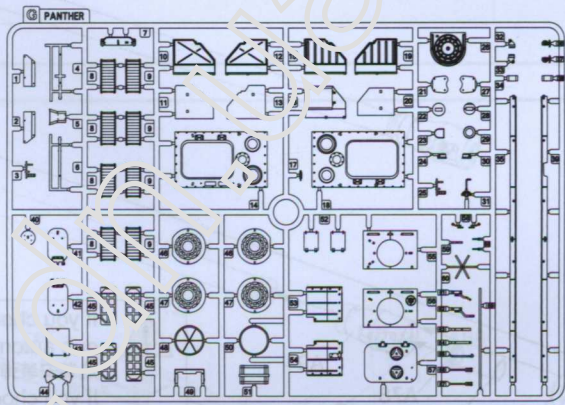
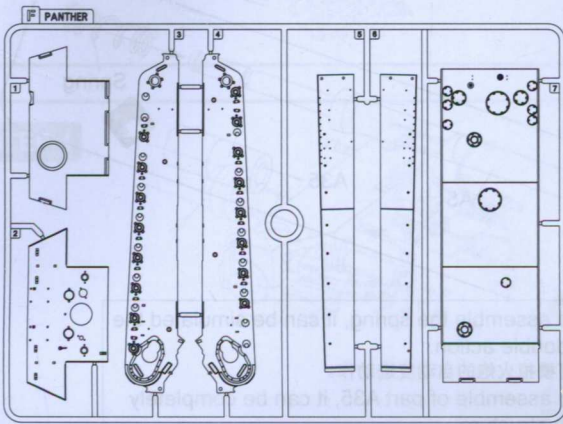
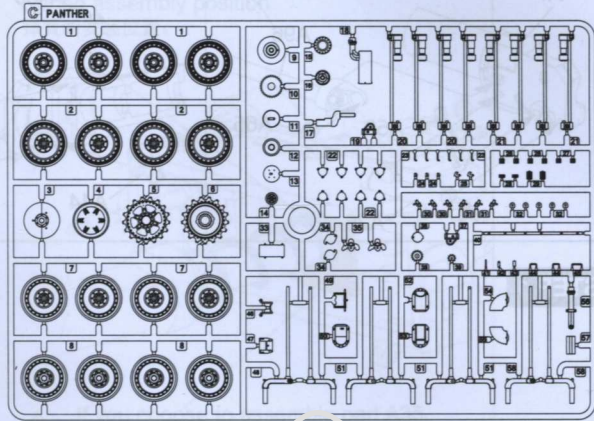
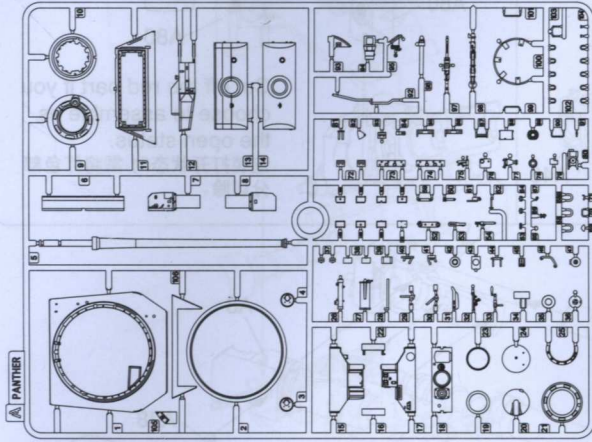
Caen, Normandy, June 1944



WEATHERING STEPS WITH AMMO PRODUCTS

- | | | | |
|--|--|---|--|
| 1 GENERAL WASH
A.MIG-1000 Brown Wash for German Yellow | 3 STREAKING
A.MIG-1203 Streaking Grime | 5 TRACK WASH
A.MIG-1002 Tracks Wash | 7 MUD
A.MIG-1754 Damp Earth A.MIG-1705 Wet Mud |
| 2 FILTER
A.MIG-1510 Tan for 3 tone camo | 4 RUST
A.MIG-3510 Rust | 6 DUST
A.MIG-3004 Europe Earth | 8 GREASE & OIL
A.MIG-1408 Fresh Engine Oil |

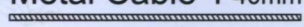
PARTS 部品图

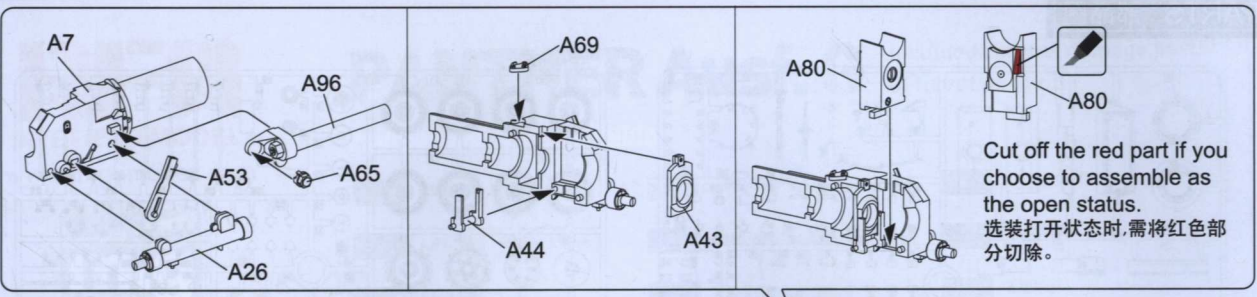


Track Links x190



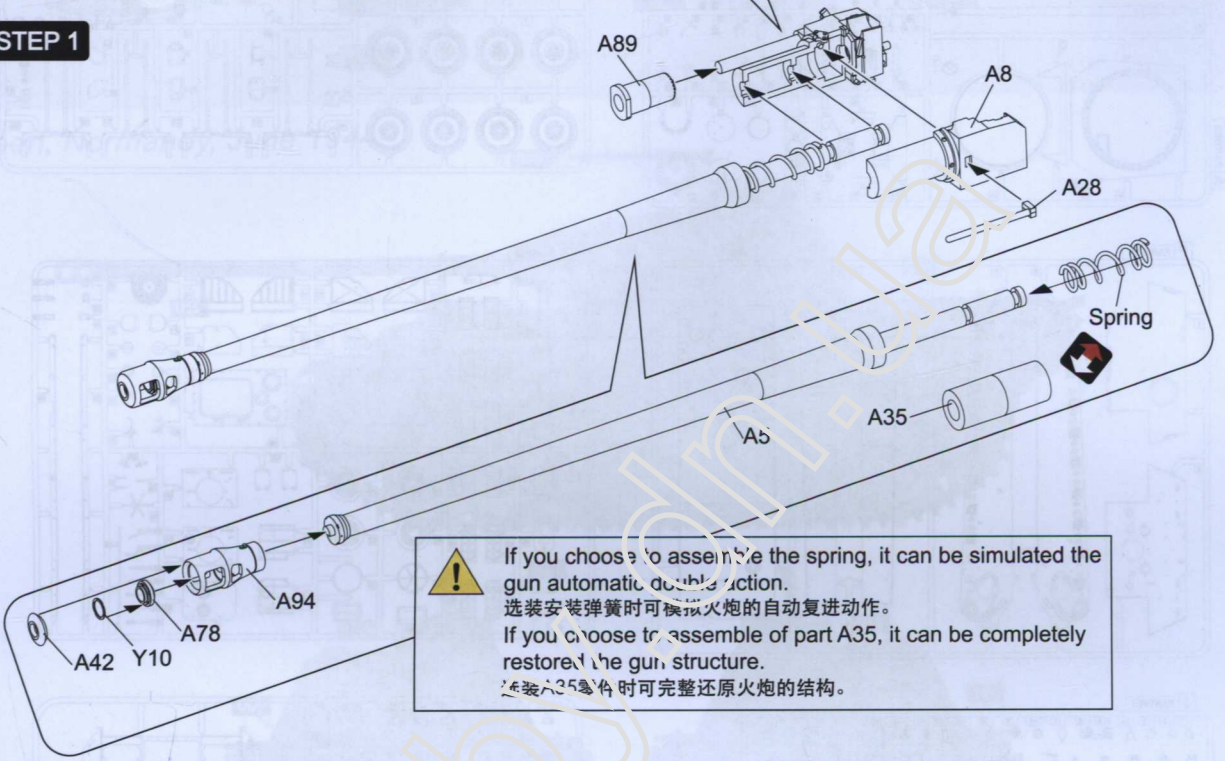
Metal Cable 1 40mm





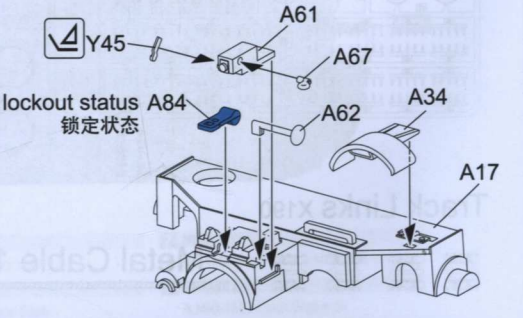
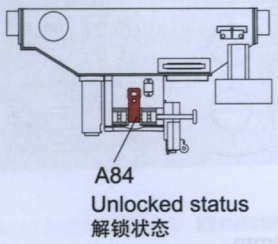
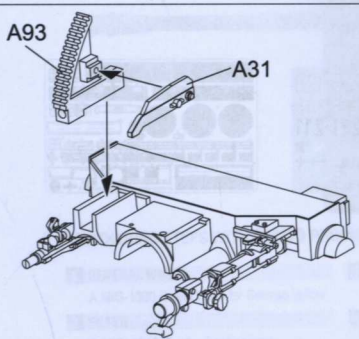
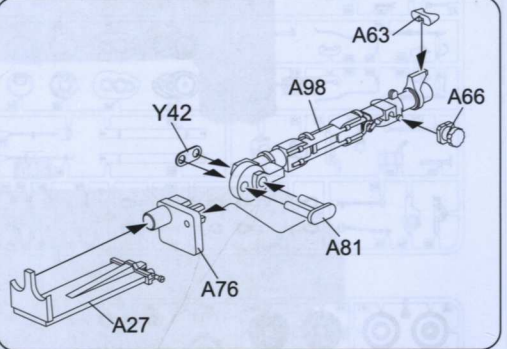
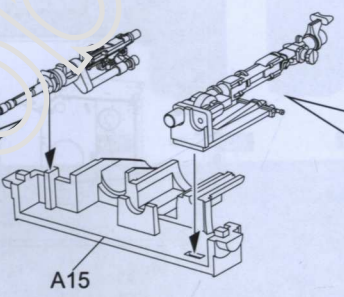
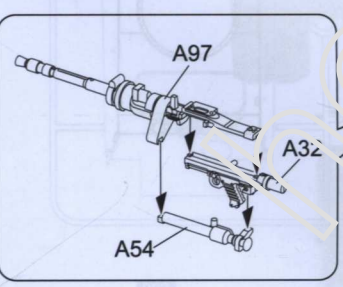
Cut off the red part if you choose to assemble as the open status.
 选装打开状态时,需将红色部分切除。

STEP 1

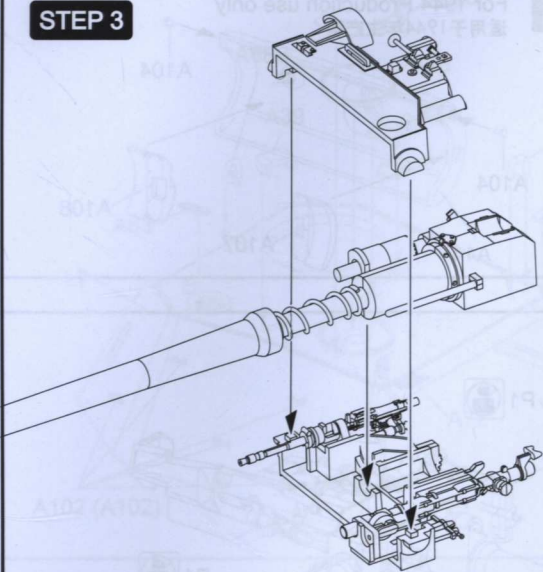


! If you choose to assemble the spring, it can be simulated the gun automatic double action.
 选装安装弹簧时可模拟火炮的自动复进动作。
 If you choose to assemble of part A35, it can be completely restored the gun structure.
 选装A35零件时可完整还原火炮的结构。

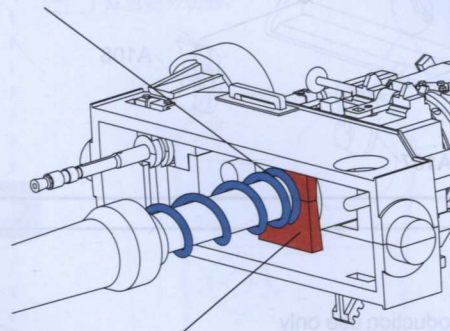
STEP 2




STEP 3

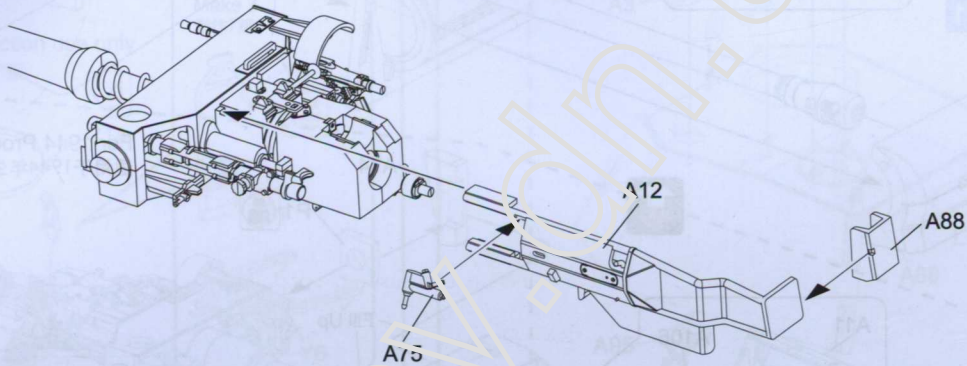


Spring assembly position.
弹簧的安装位置。

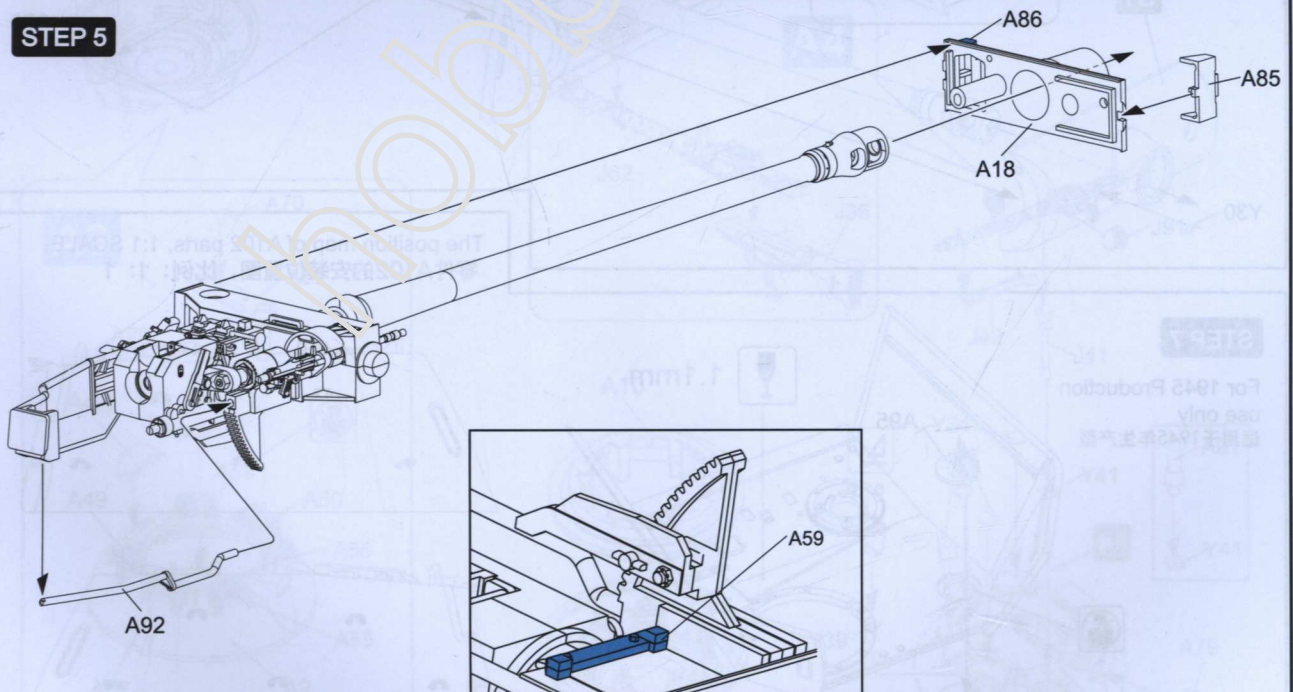


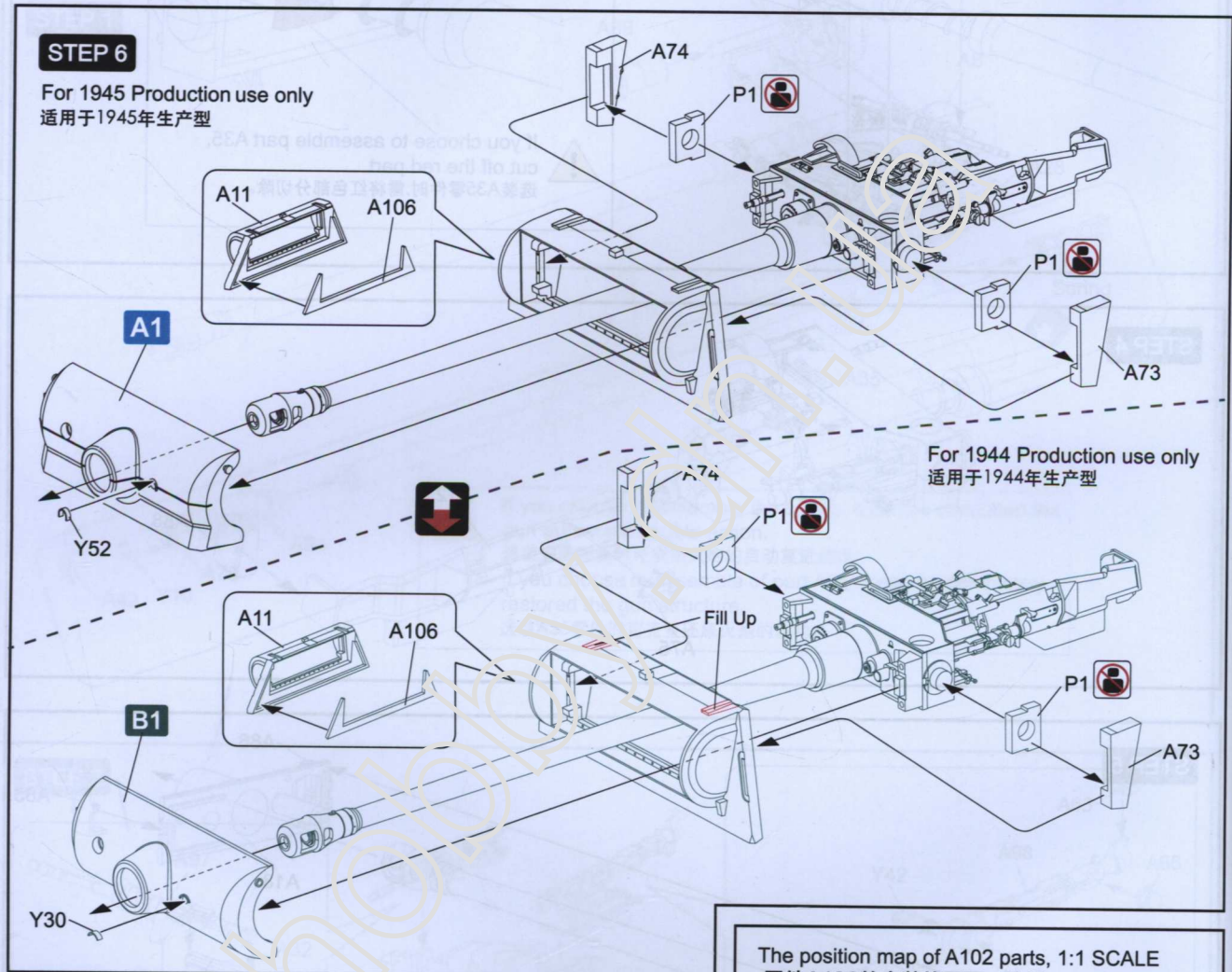
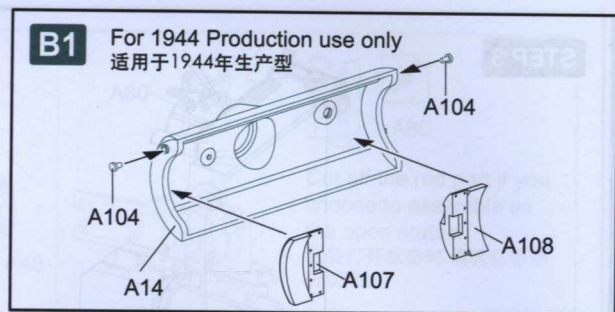
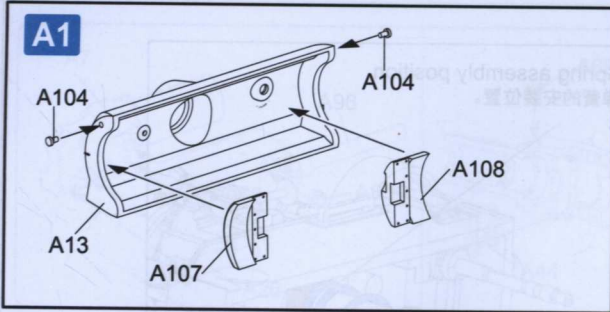
 If you choose to assemble part A35,
cut off the red part.
选装A35零件时,需将红色部分切除。

STEP 4

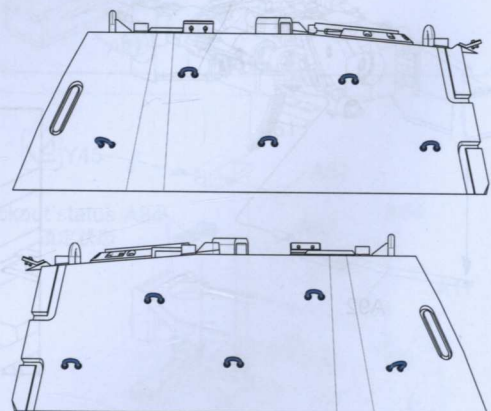
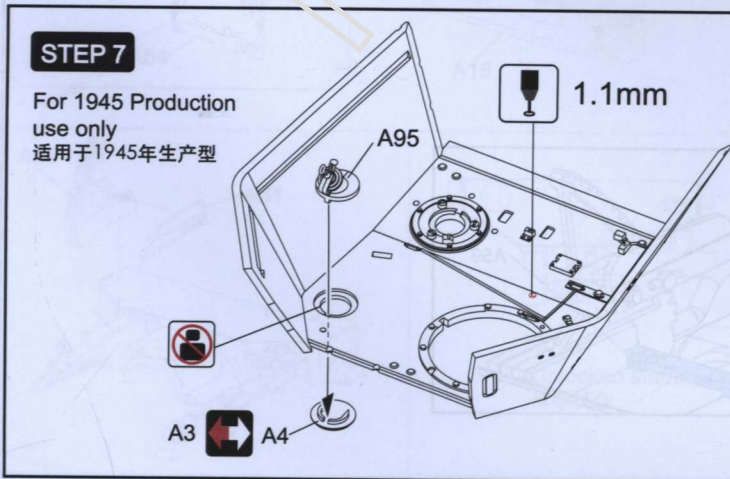


STEP 5

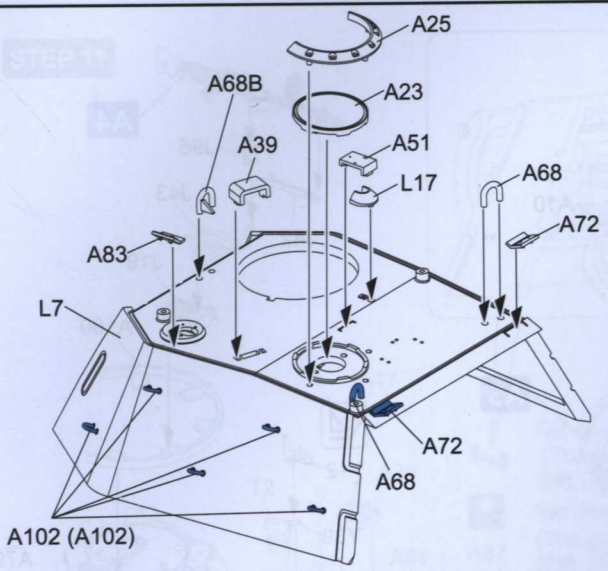




The position map of A102 parts, 1:1 SCALE
零件A102的安装位置图, 比例: 1: 1

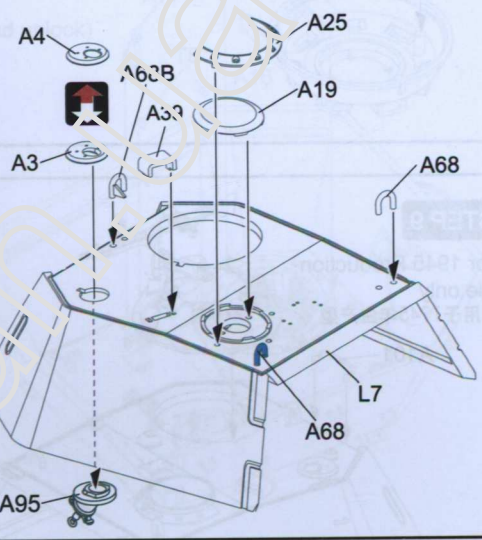
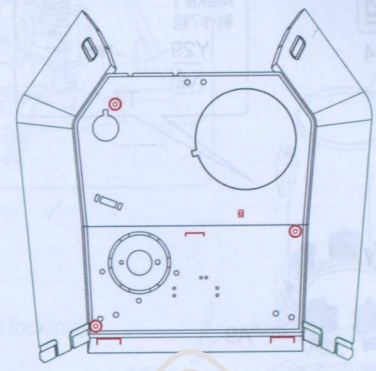


STEP 7



For 1944 Production use only
适用于1944年生产型

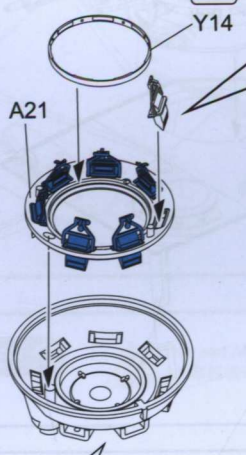
The red part needs to be cut out.
红色部分切除。



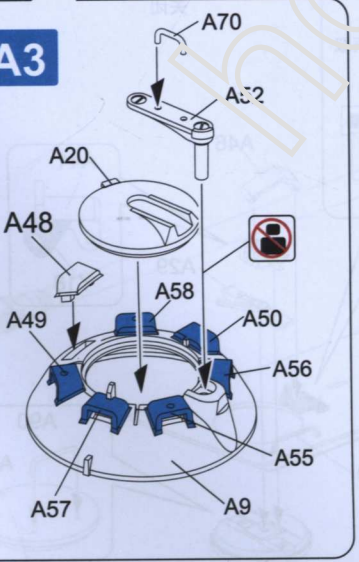
STEP 8

For 1945 Production use only
适用于1945年生产型

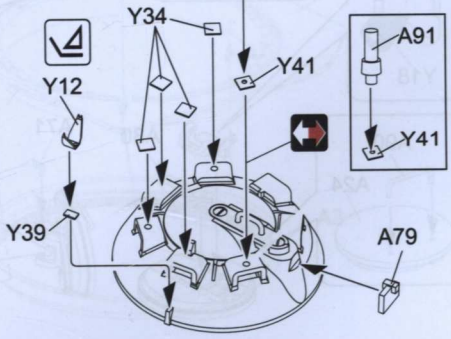
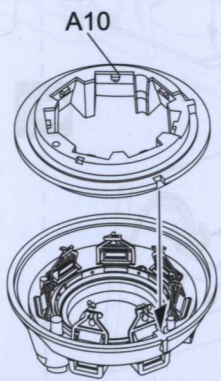
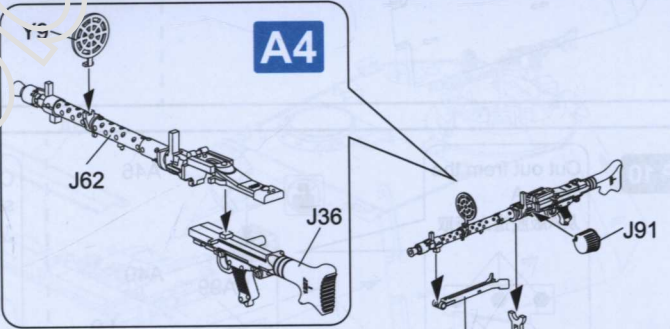
Make 7
制作7组



A3

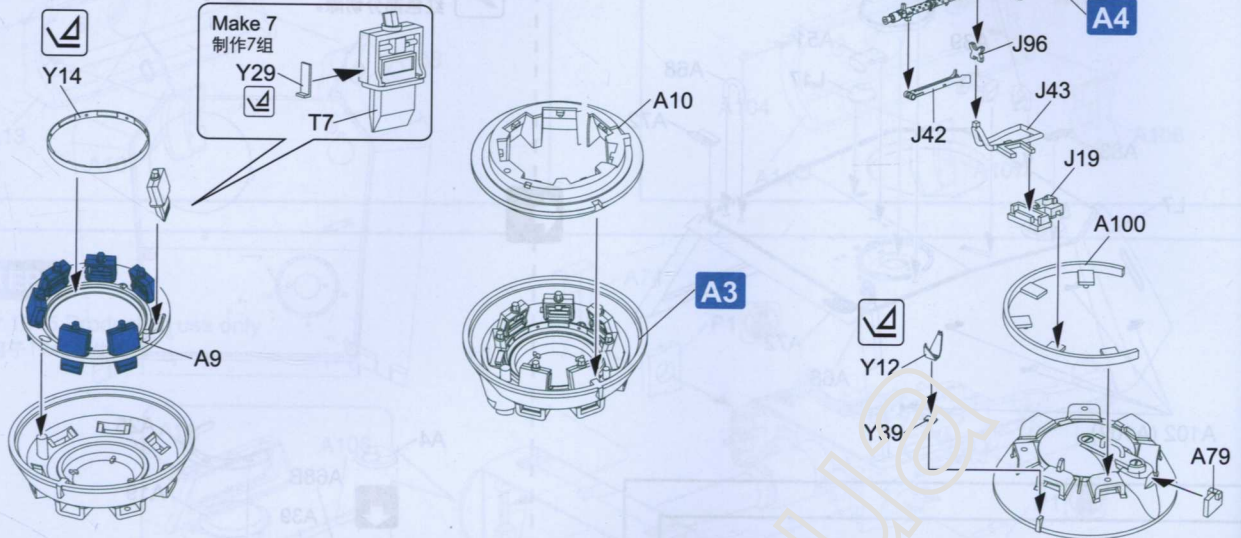


A4



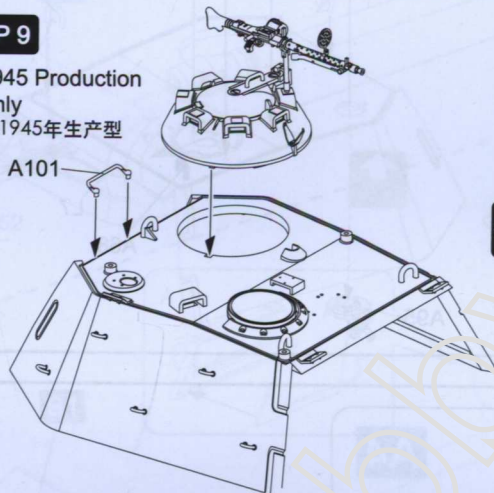


For 1944 Production use only
适用于1944年生产型

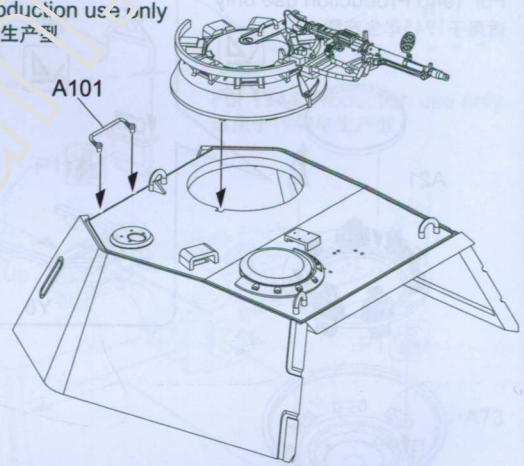


STEP 9

For 1945 Production use only
适用于1945年生产型



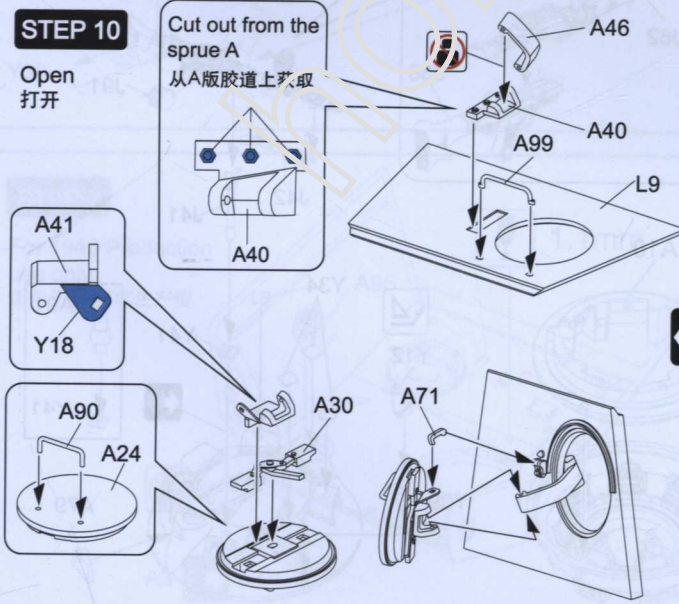
For 1944 Production use only
适用于1944年生产型



STEP 10

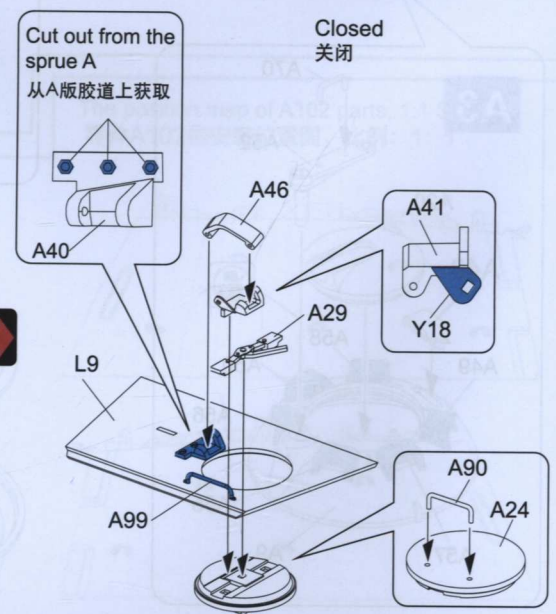
Open
打开

Cut out from the sprue A
从A版胶道上获取

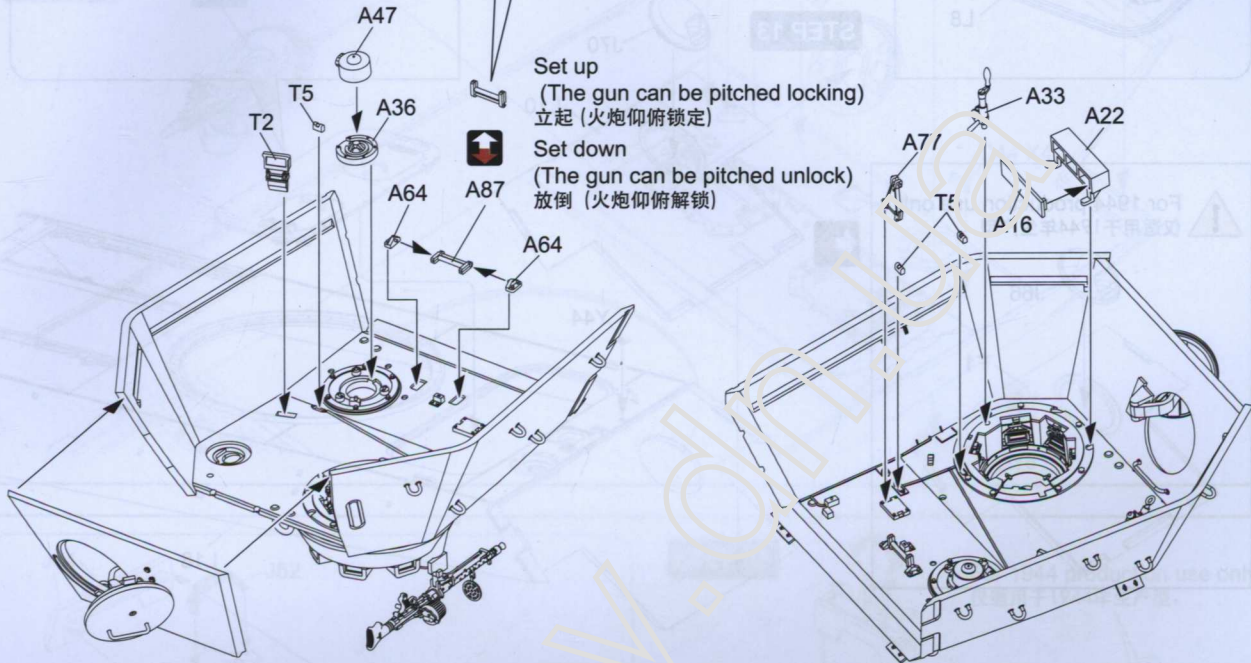
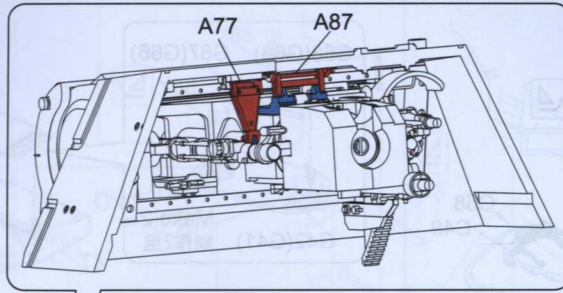


Cut out from the sprue A
从A版胶道上获取

Closed
关闭

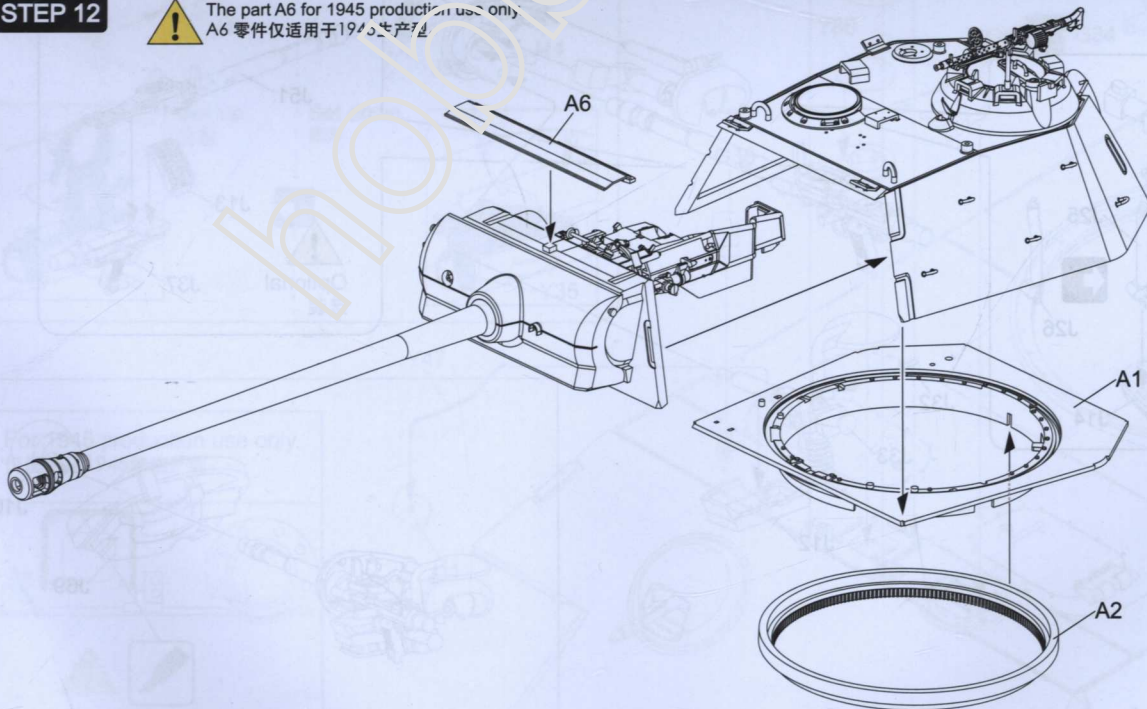


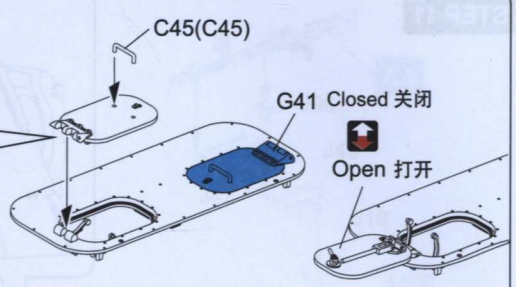
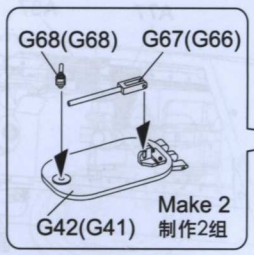
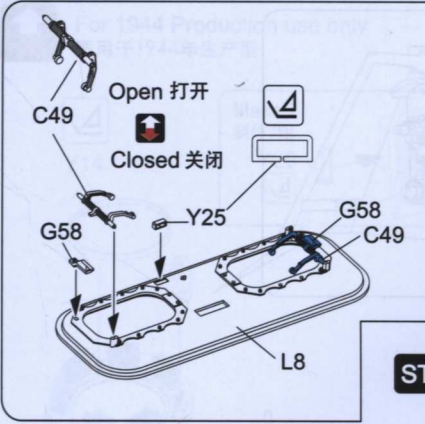
STEP 11



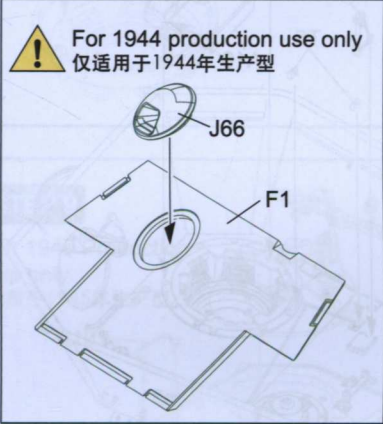
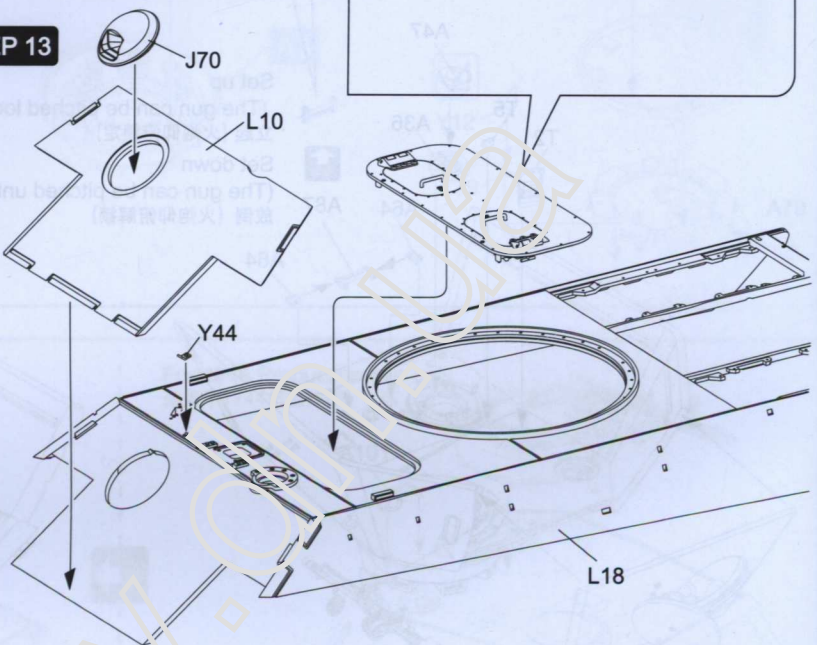
STEP 12

The part A6 for 1945 production use only.
 A6 零件仅适用于1945年生产型

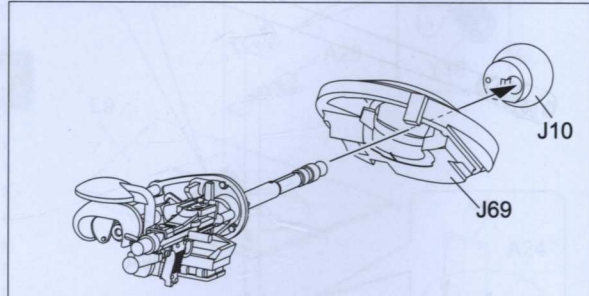
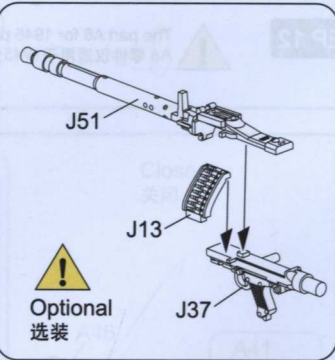
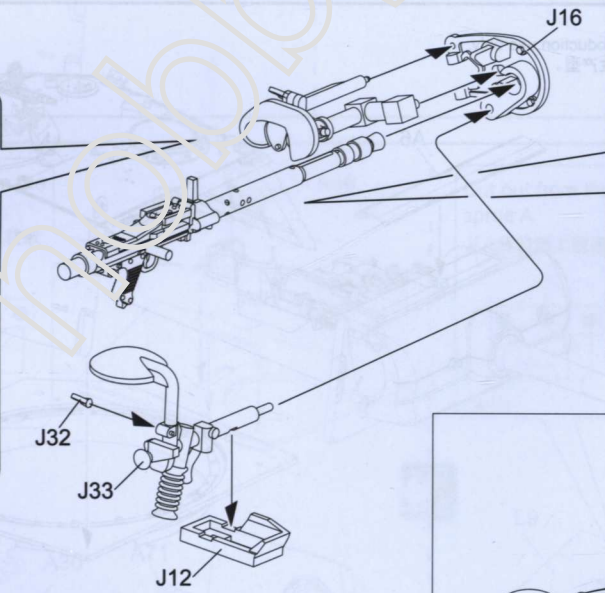
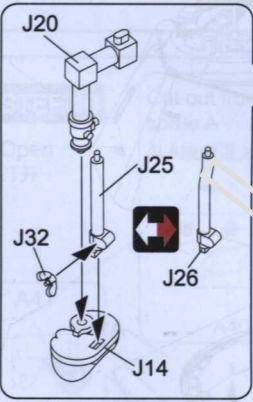


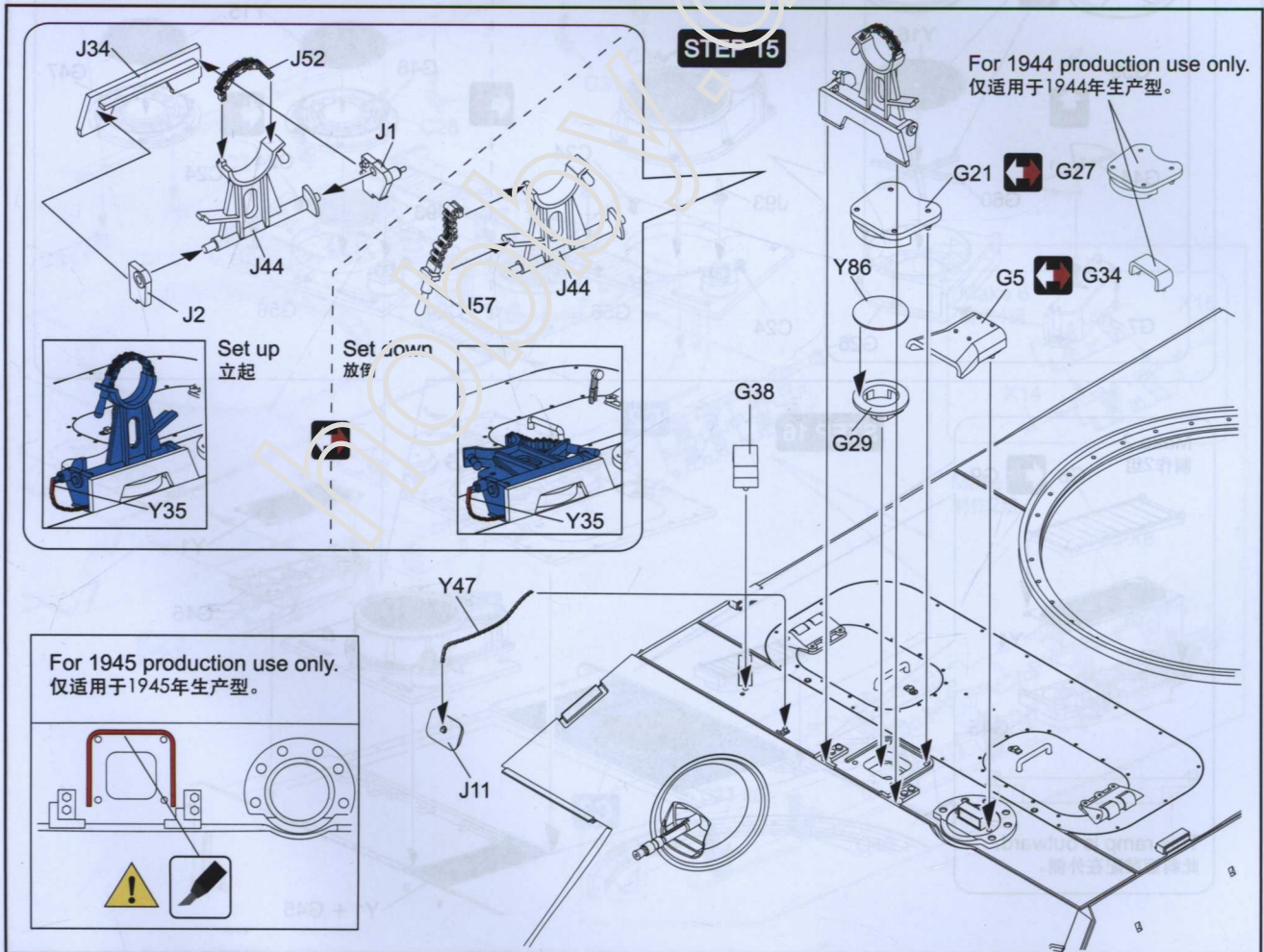
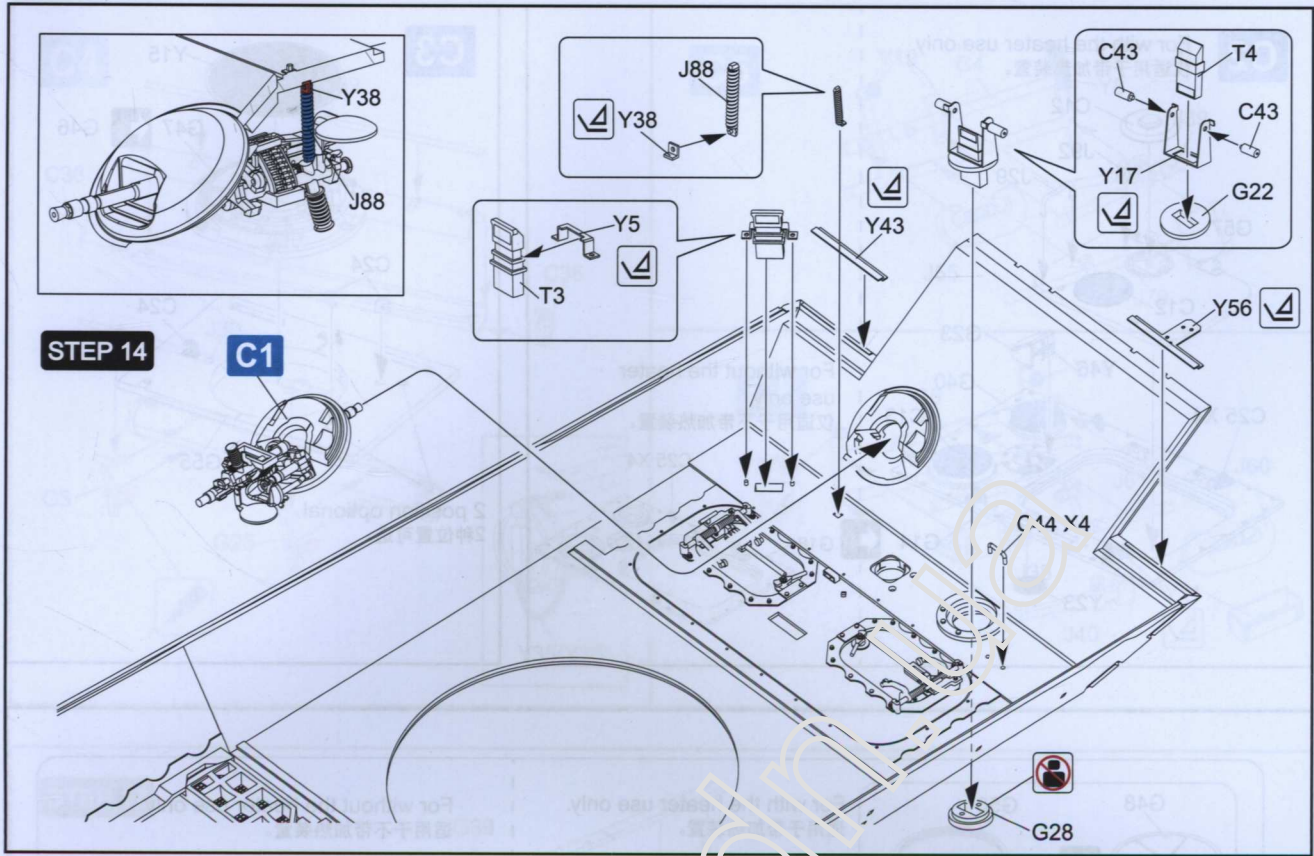


STEP 13



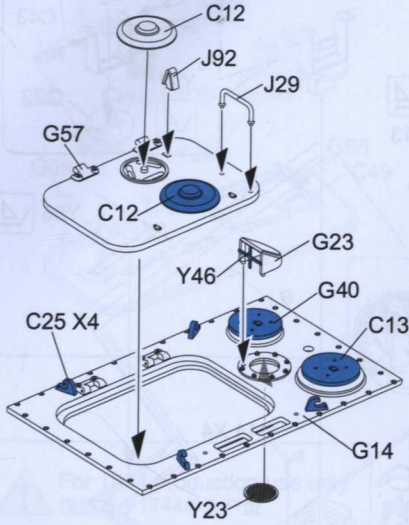
C1



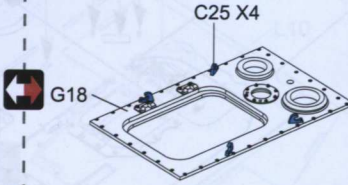


C2

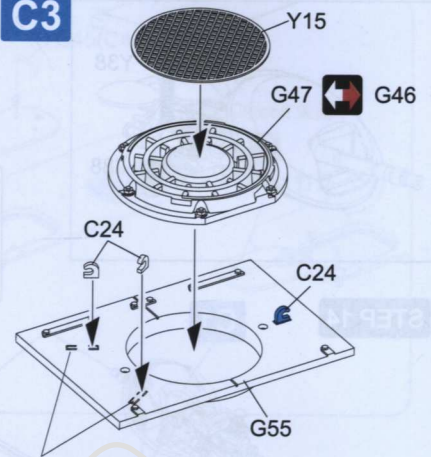
For with the heater use only.
仅适用于带加热装置。



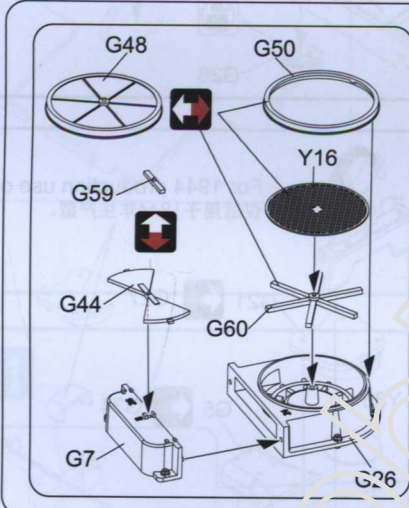
For without the heater use only.
仅适用于不带加热装置。



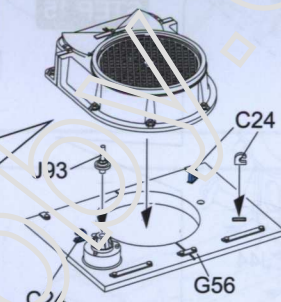
C3



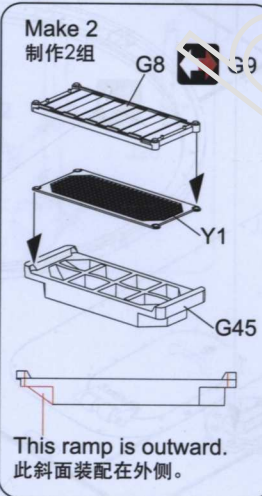
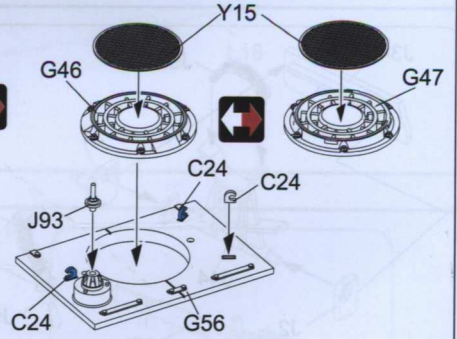
2 position optional.
2种位置可选。



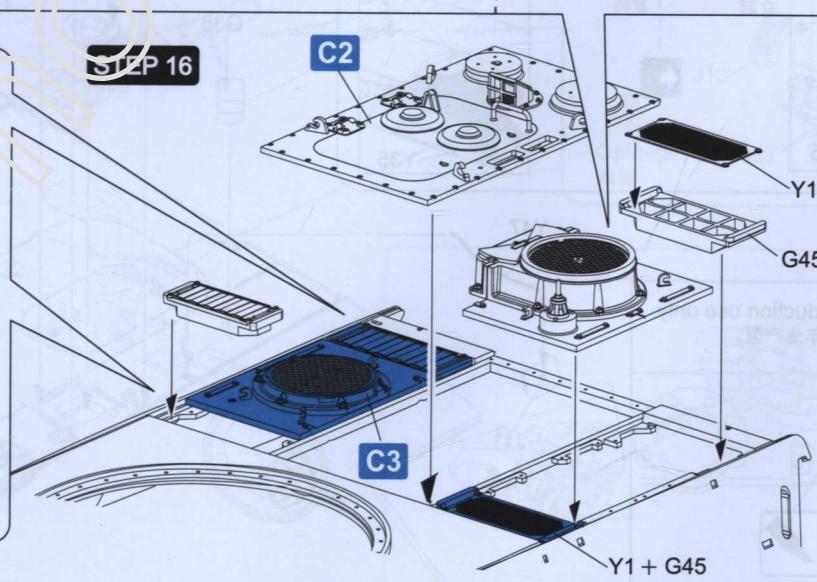
For with the heater use only.
适用于带加热装置。

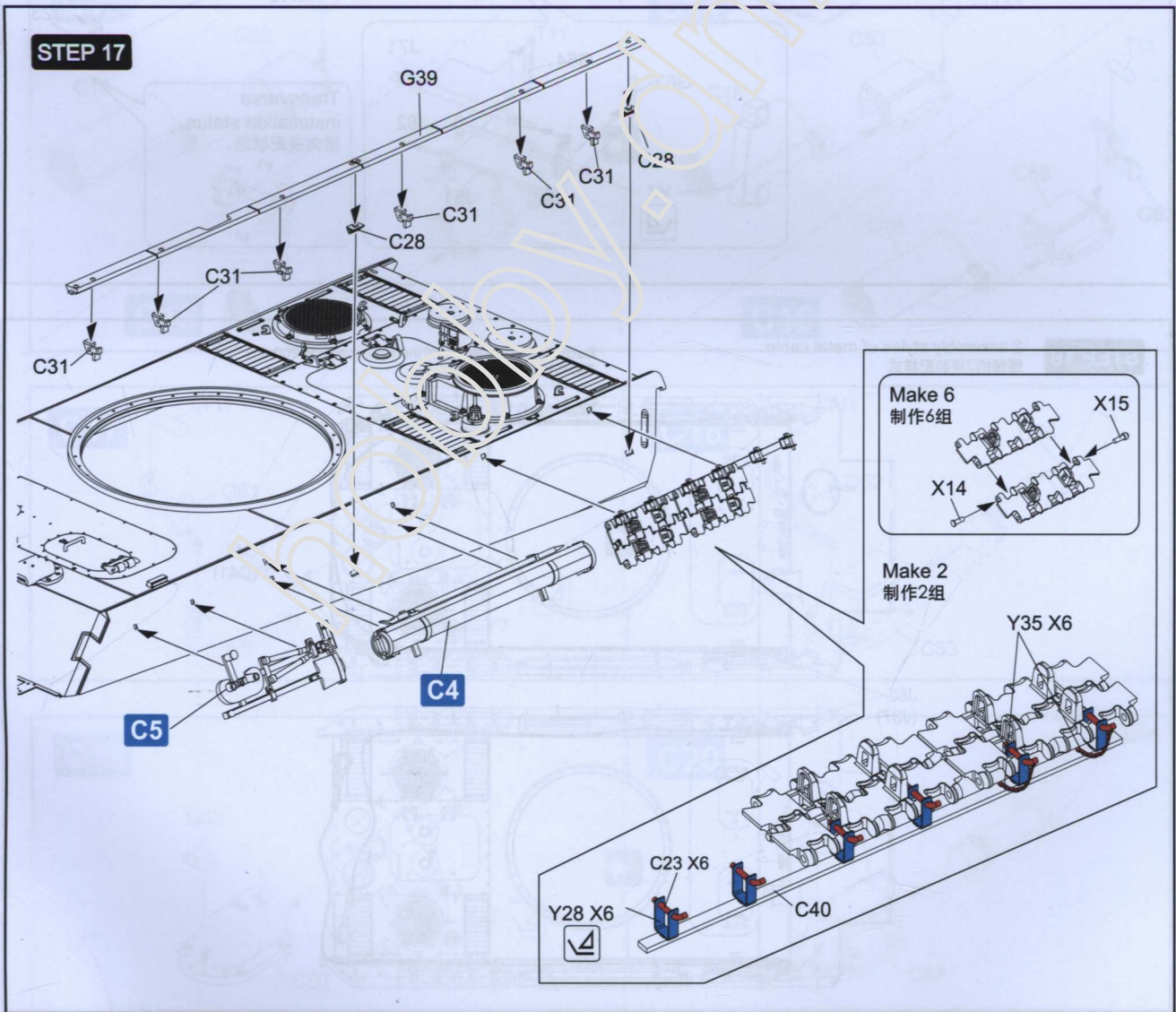
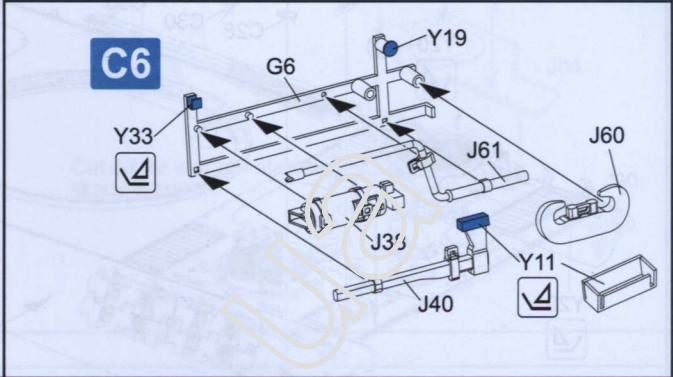
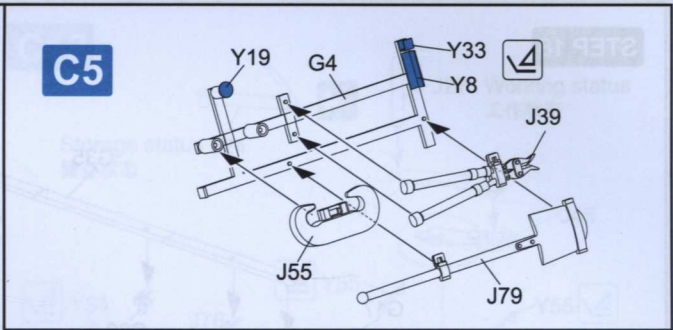
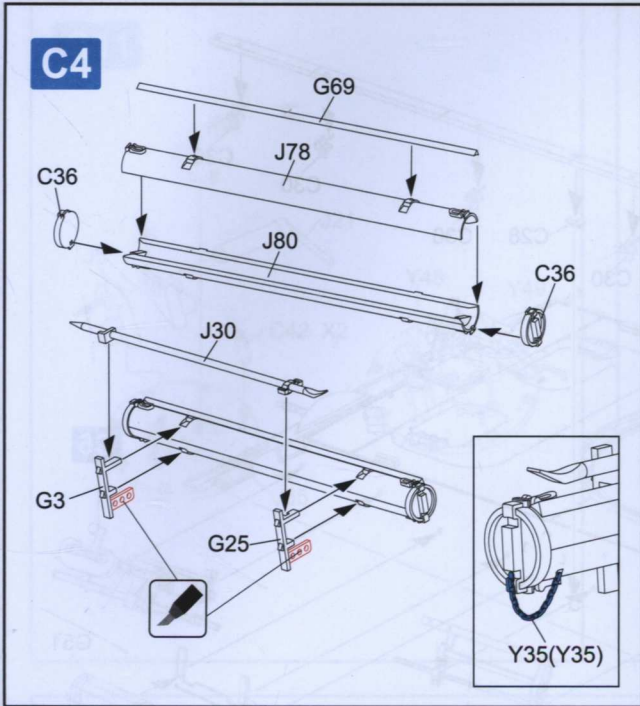


For without the heater use only.
适用于不带加热装置。

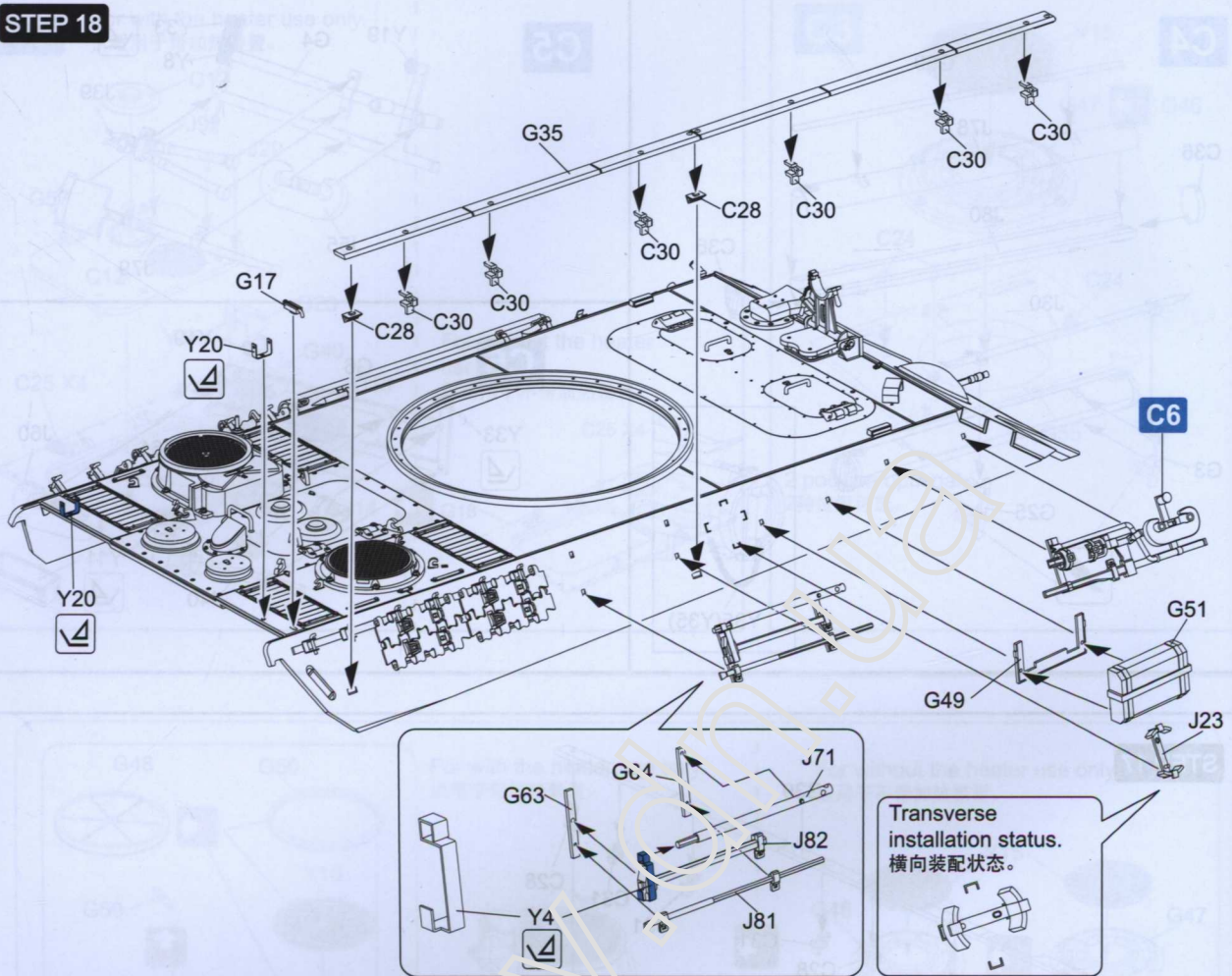


STEP 16





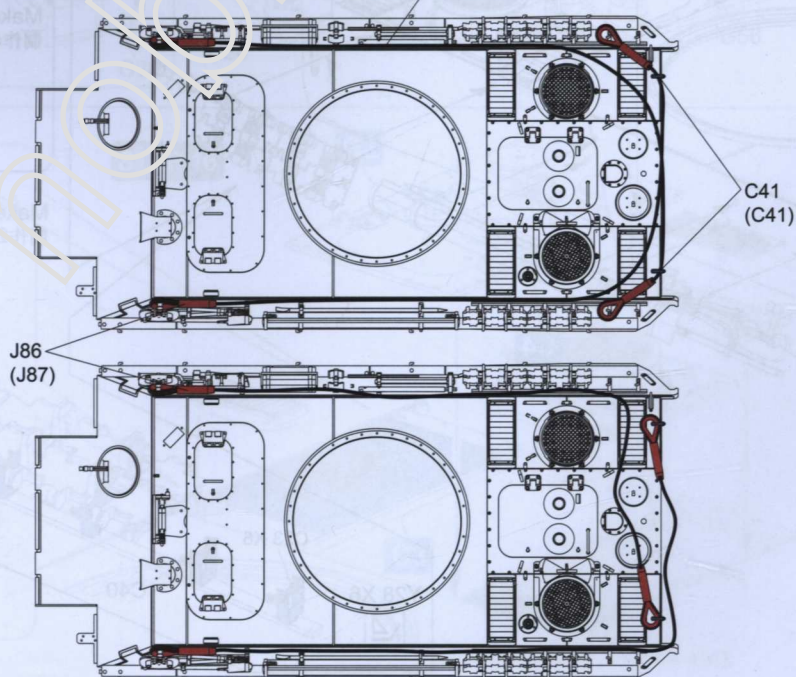
STEP 18

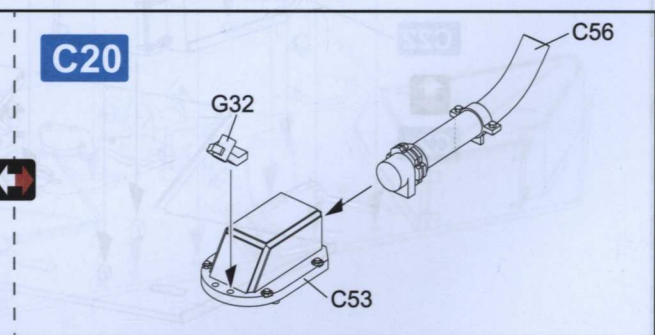
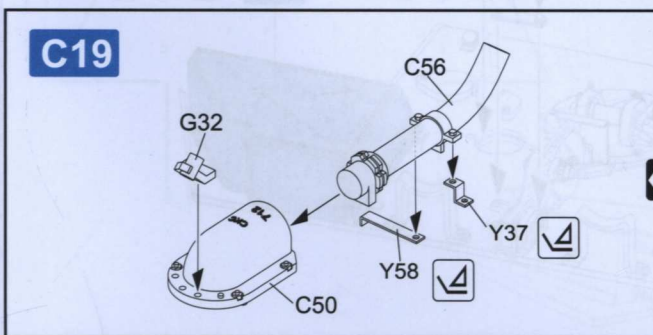
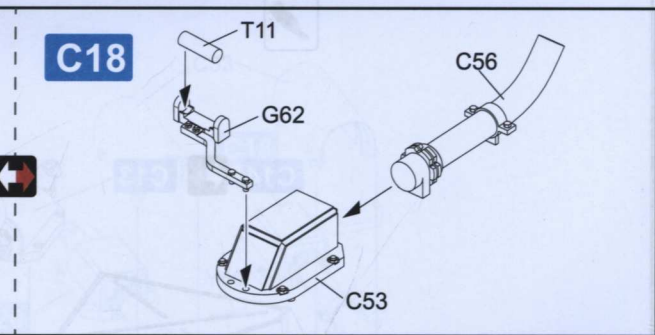
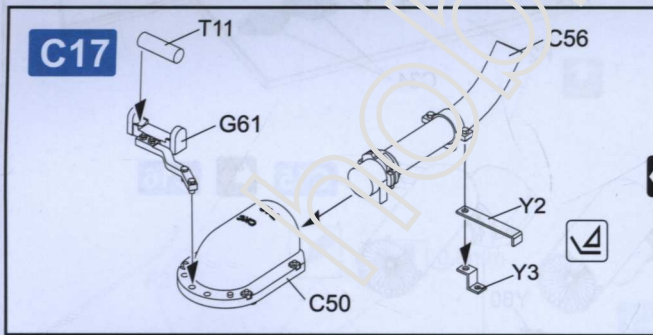
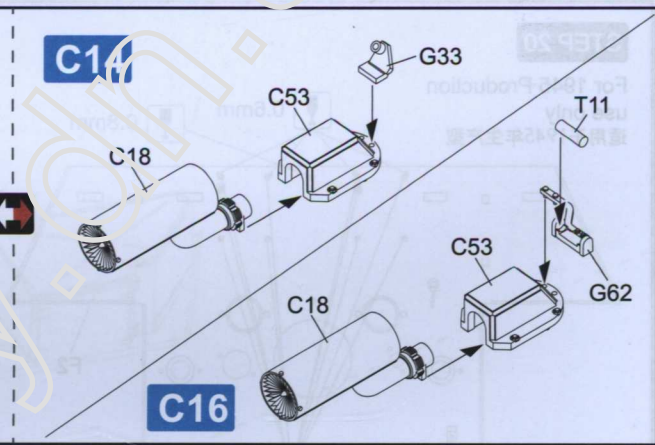
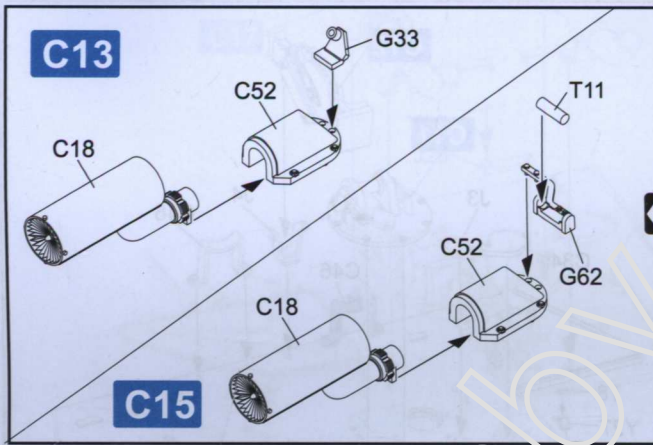
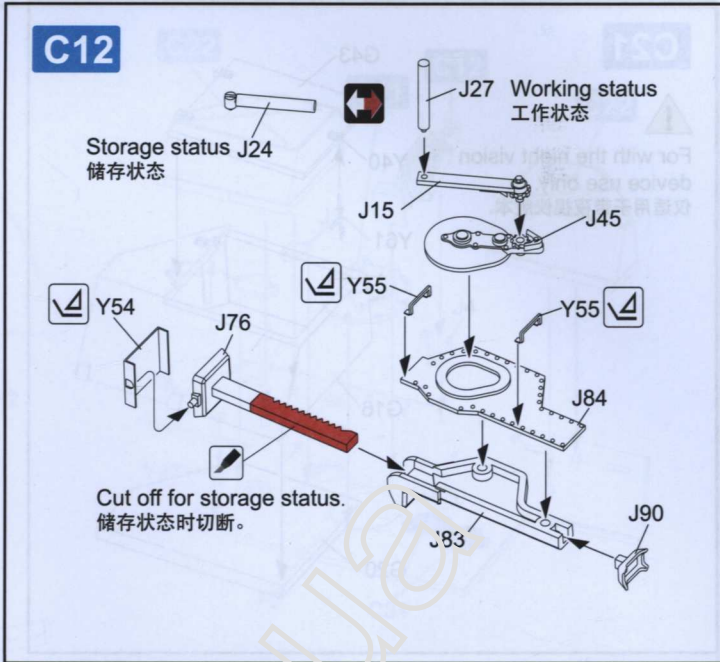
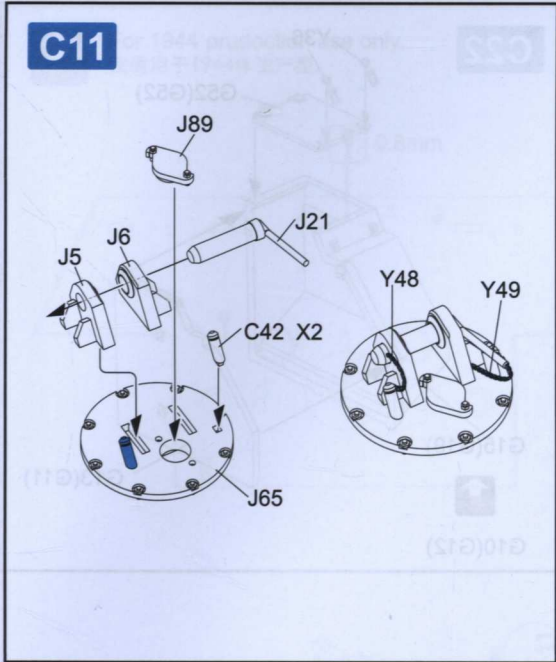


STEP 19

2 assembly styles of metal cable
 缆绳的2种装配样式

Each side of the length of the metal cable is 200mm.
 缆绳的长度单侧是200mm。

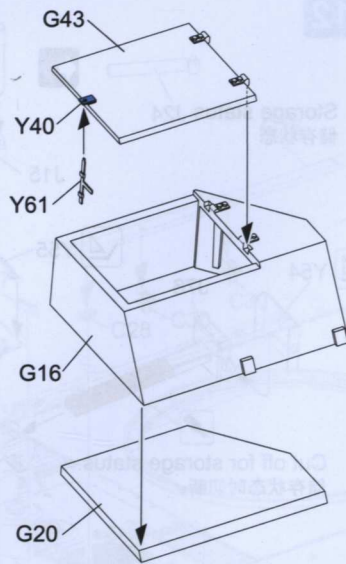




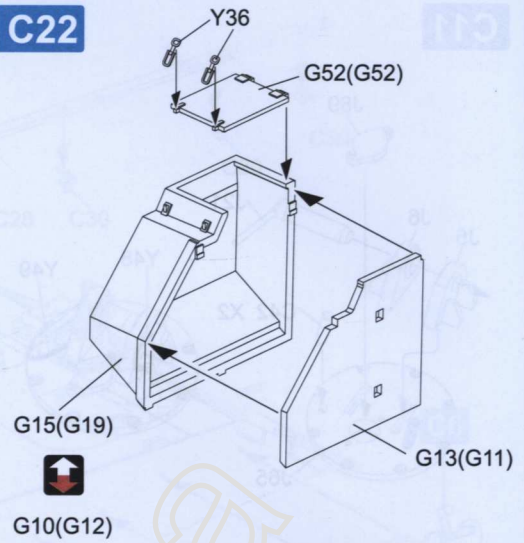
C21



For with the night vision device use only.
仅适用于带夜视仪版本.

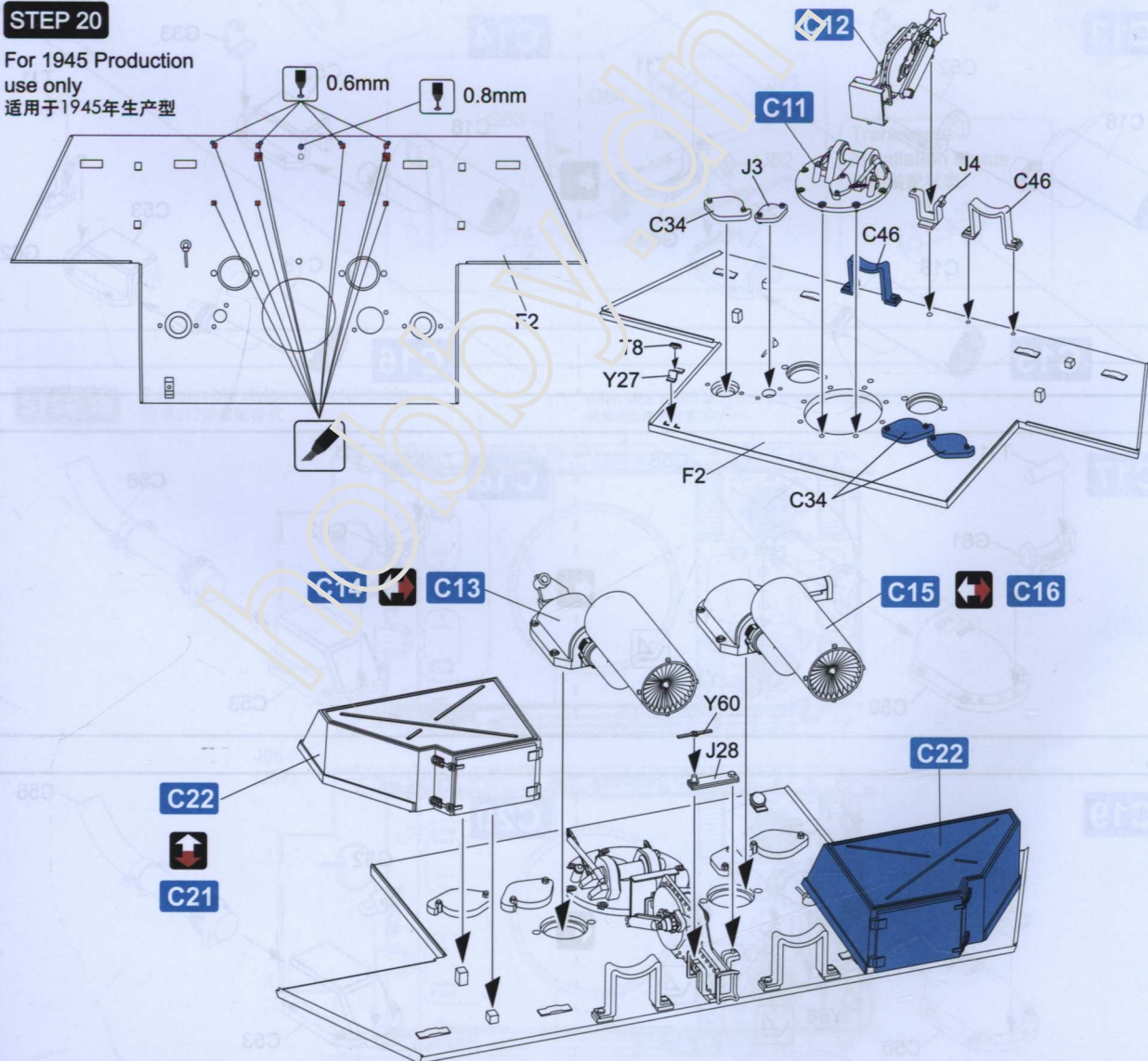


C22



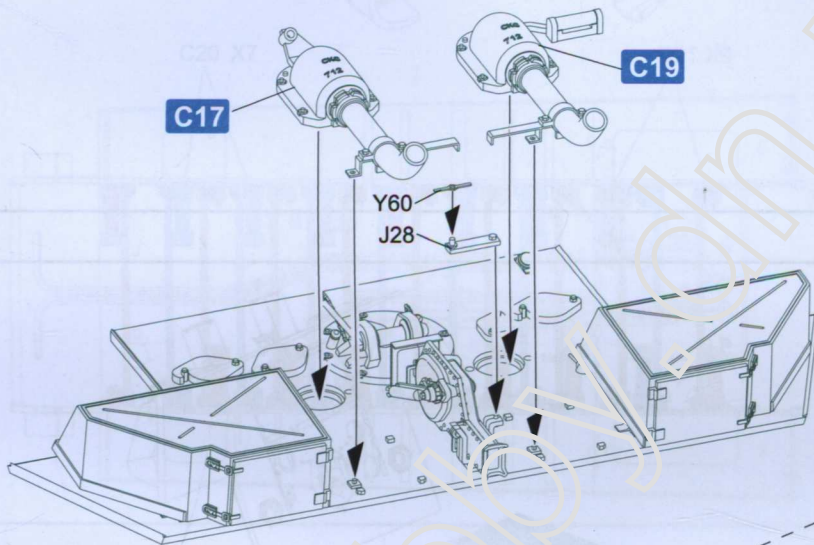
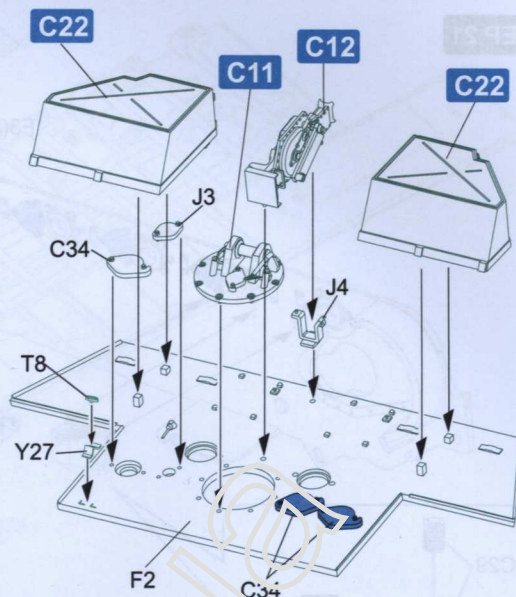
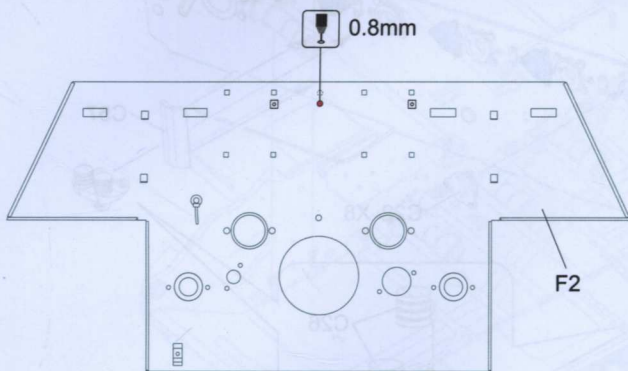
STEP 20

For 1945 Production use only
适用于1945年生产型

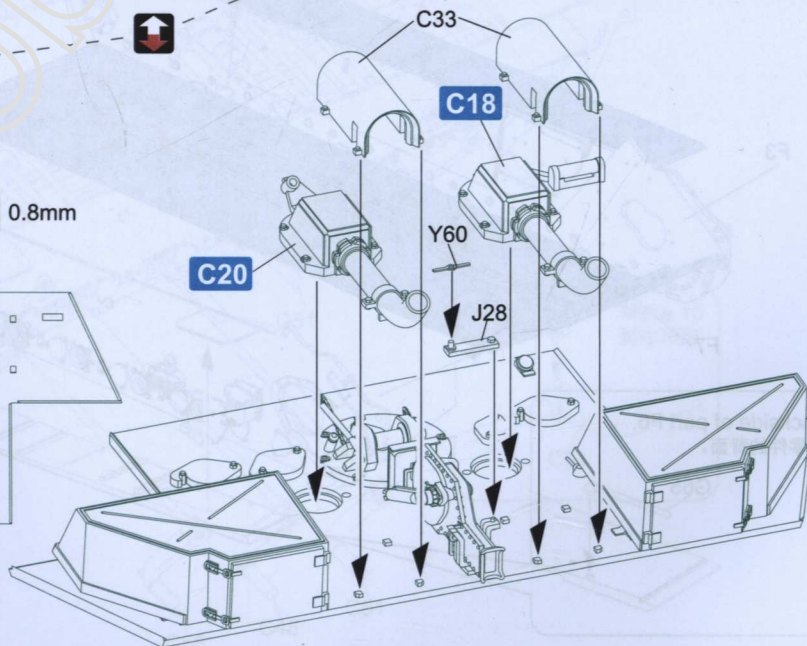
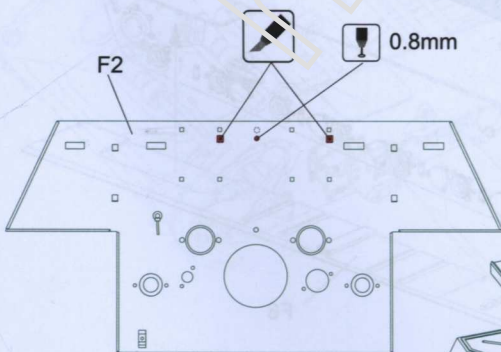




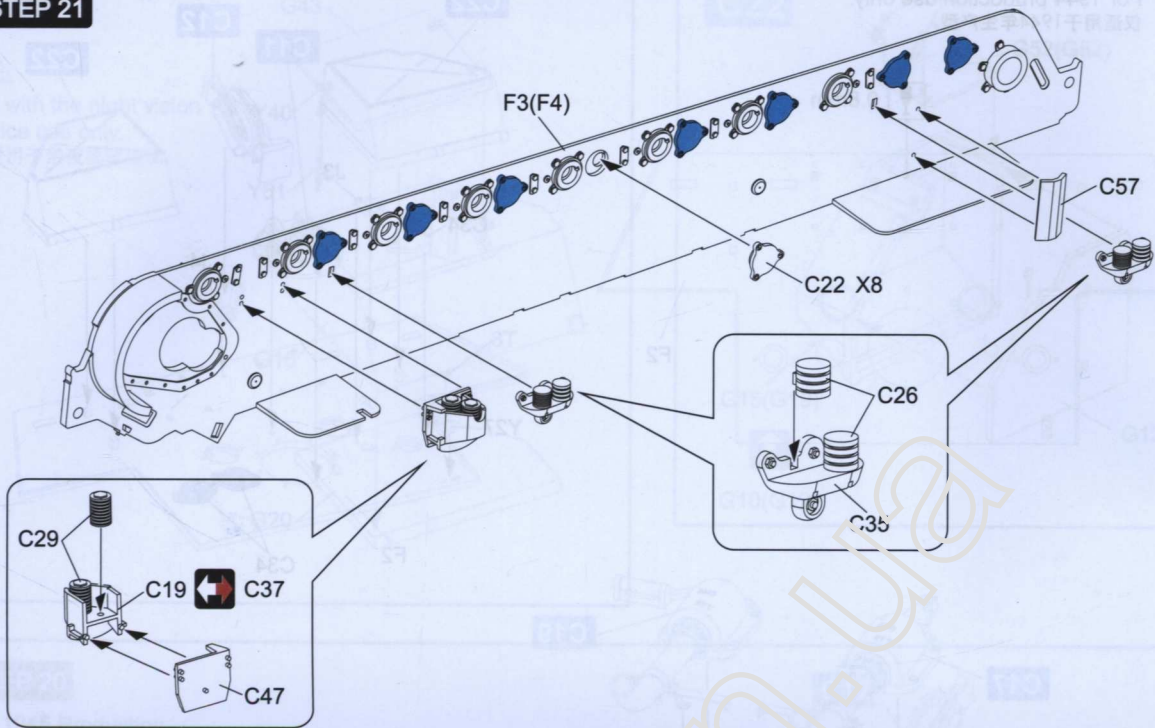
For 1944 production use only.
 仅适用于1944年生产型。



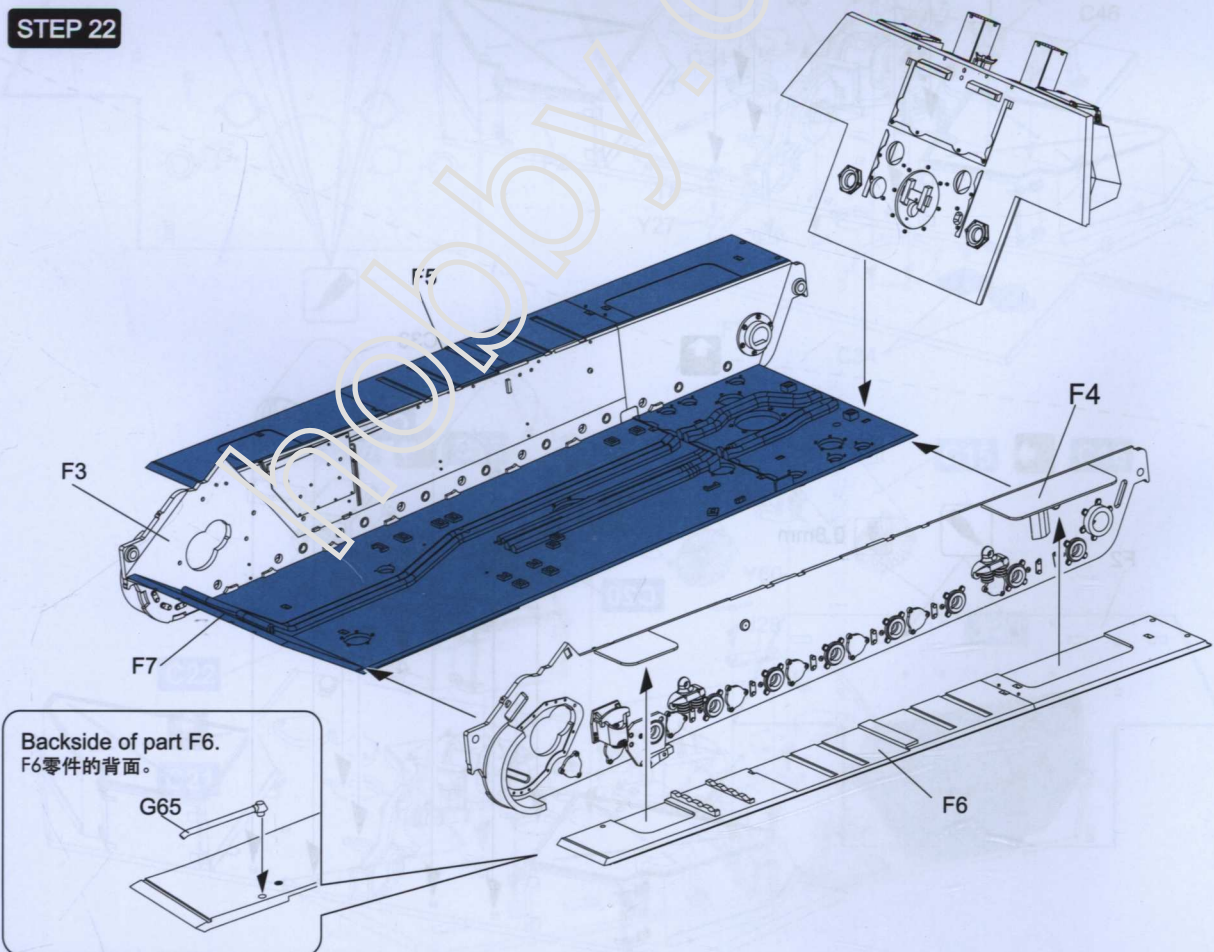
STEP 24



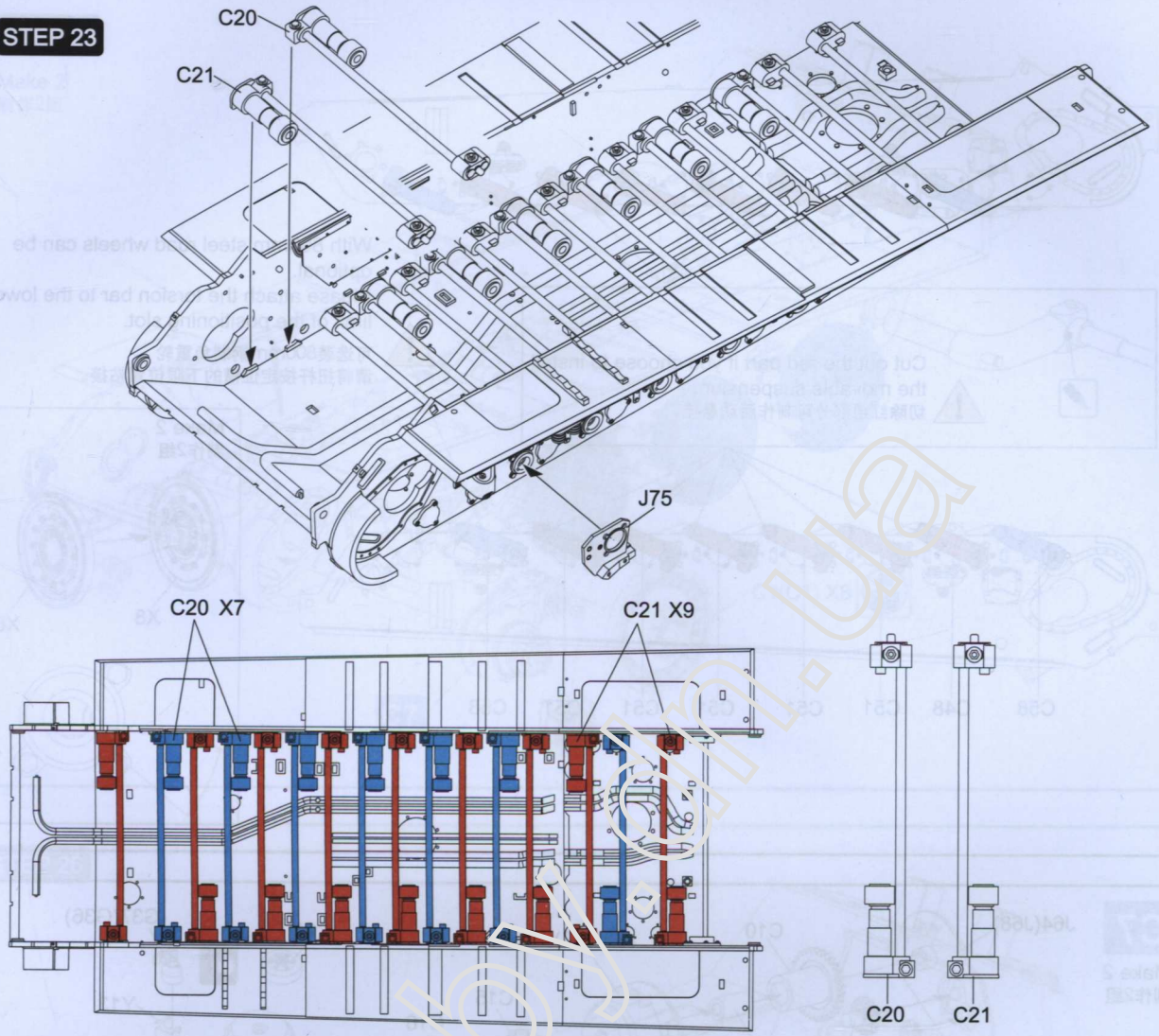
STEP 21



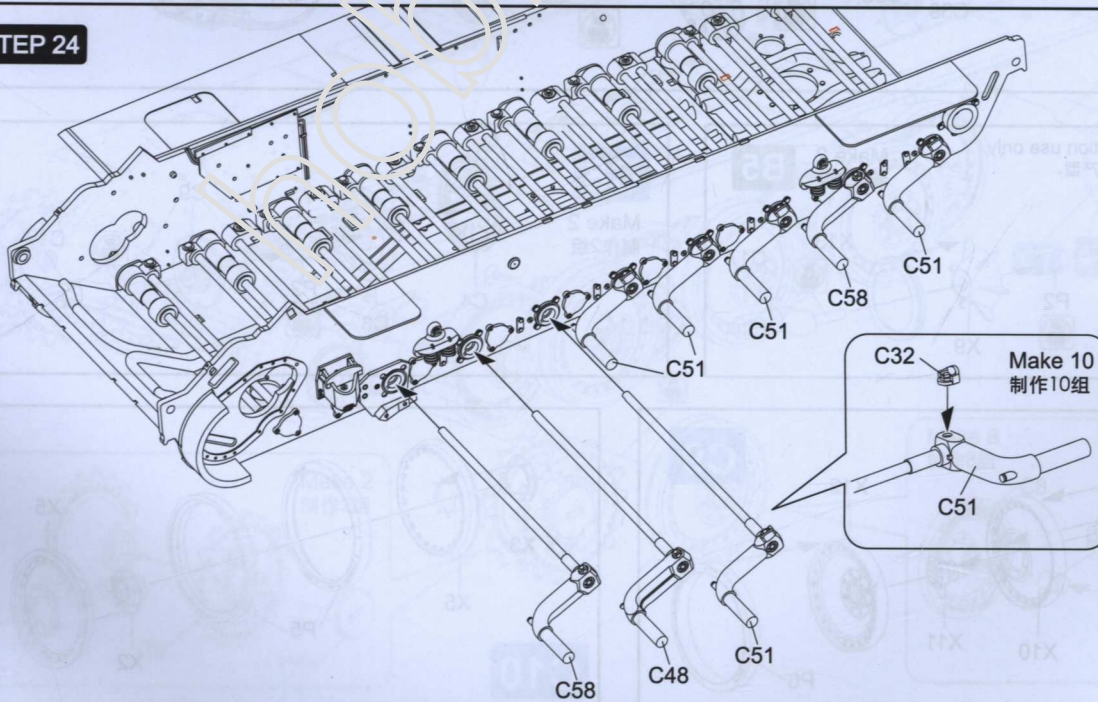
STEP 22

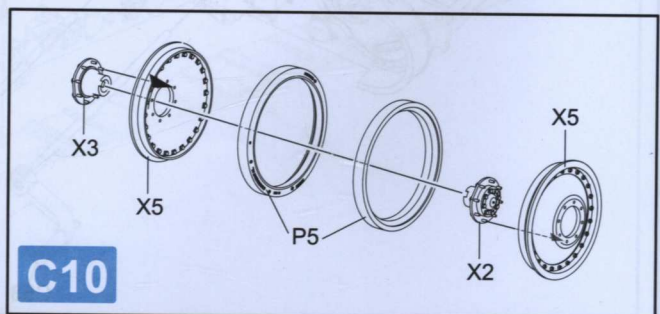
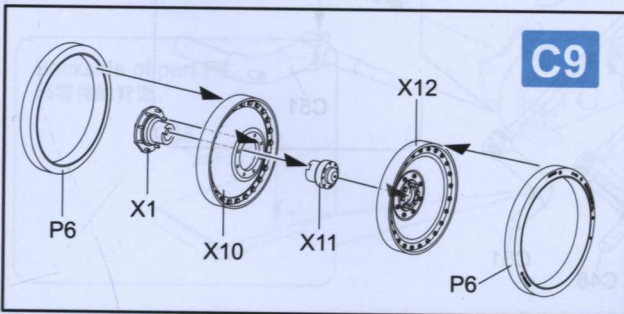
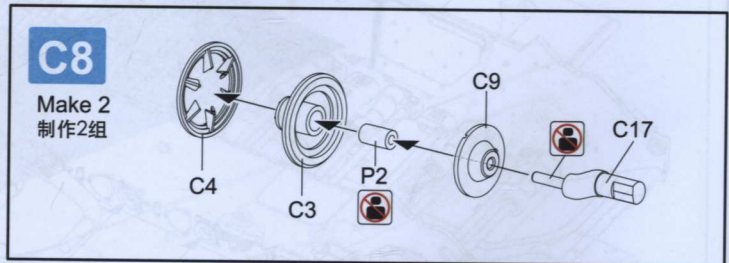
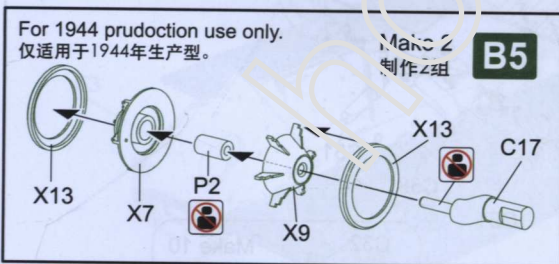
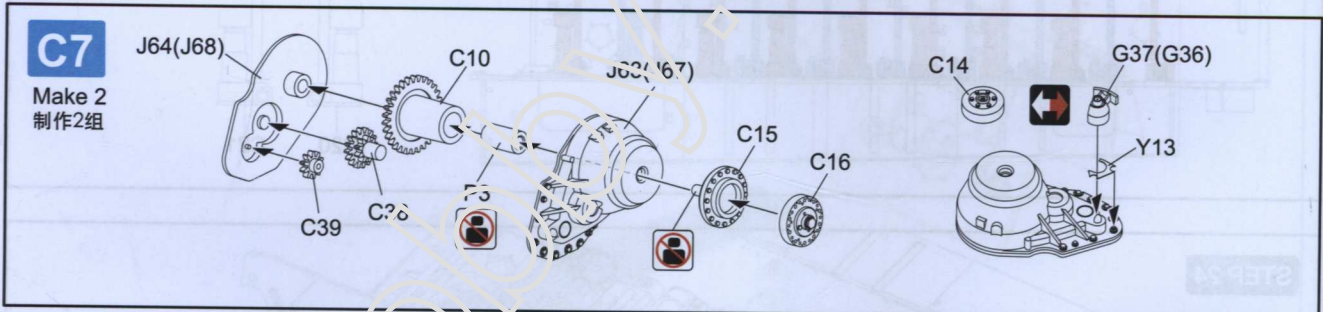
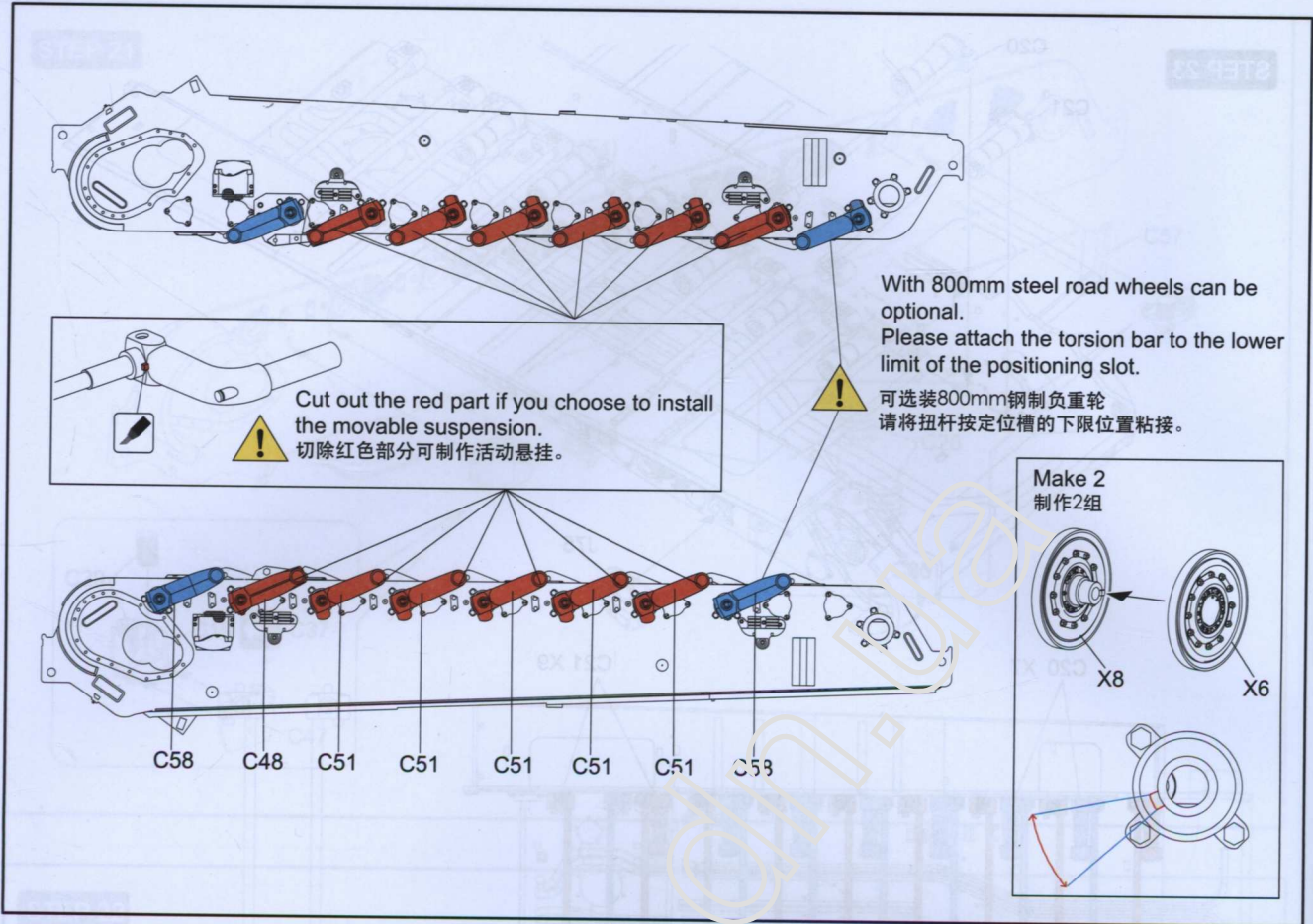


STEP 23



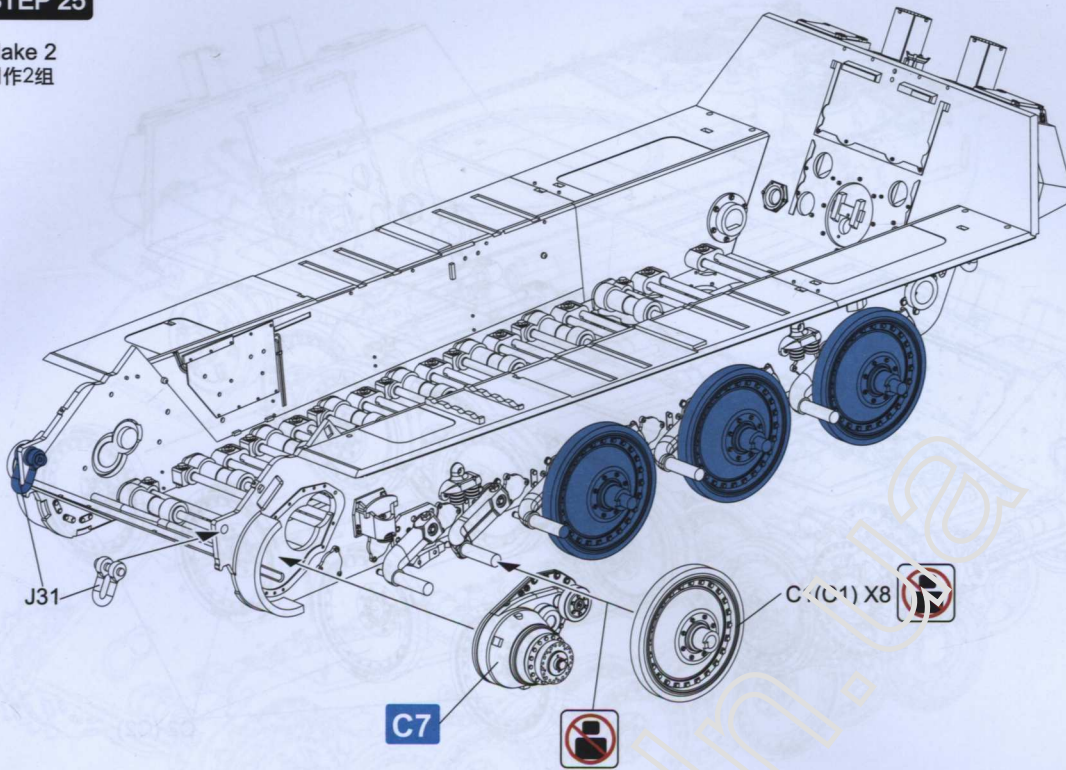
STEP 24



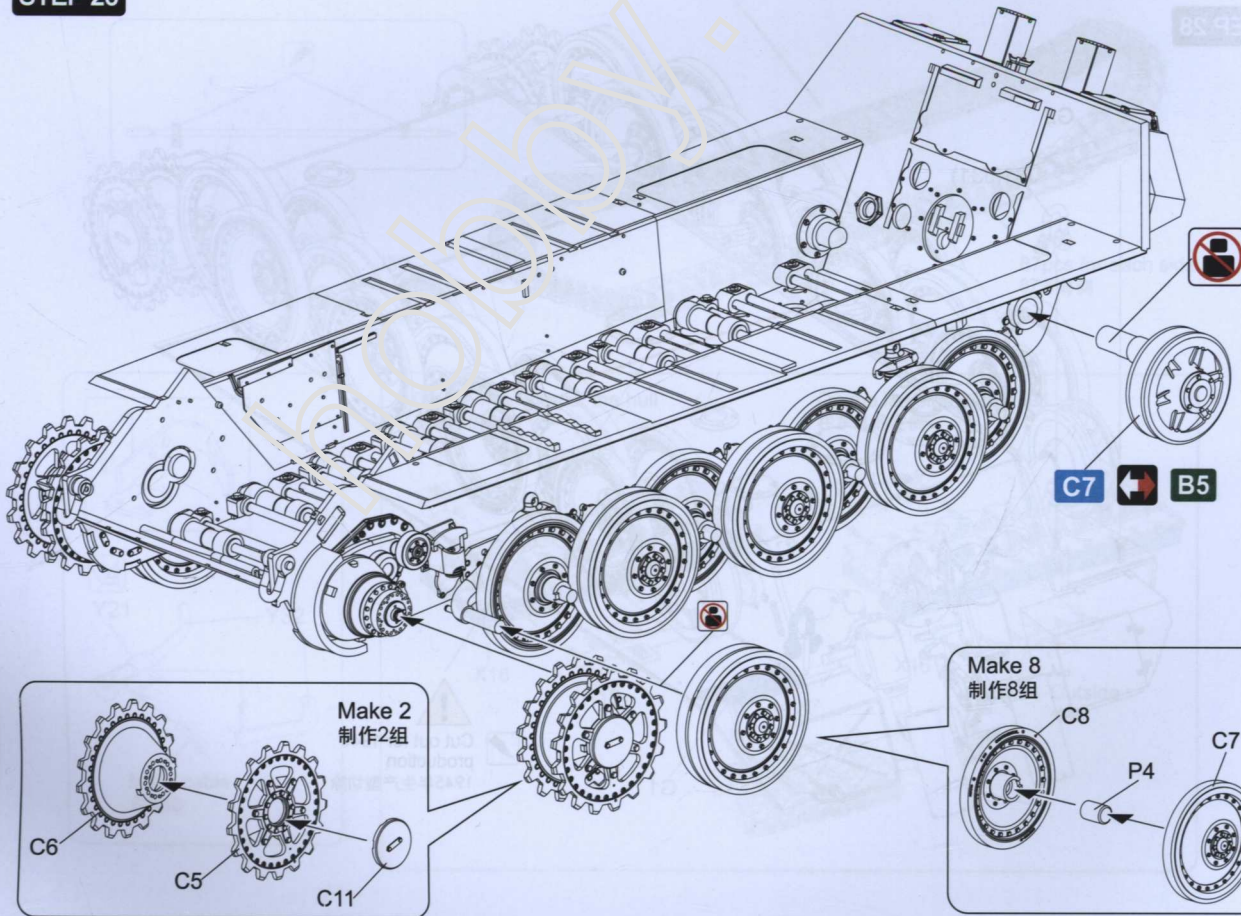


STEP 25

Make 2
制作2组



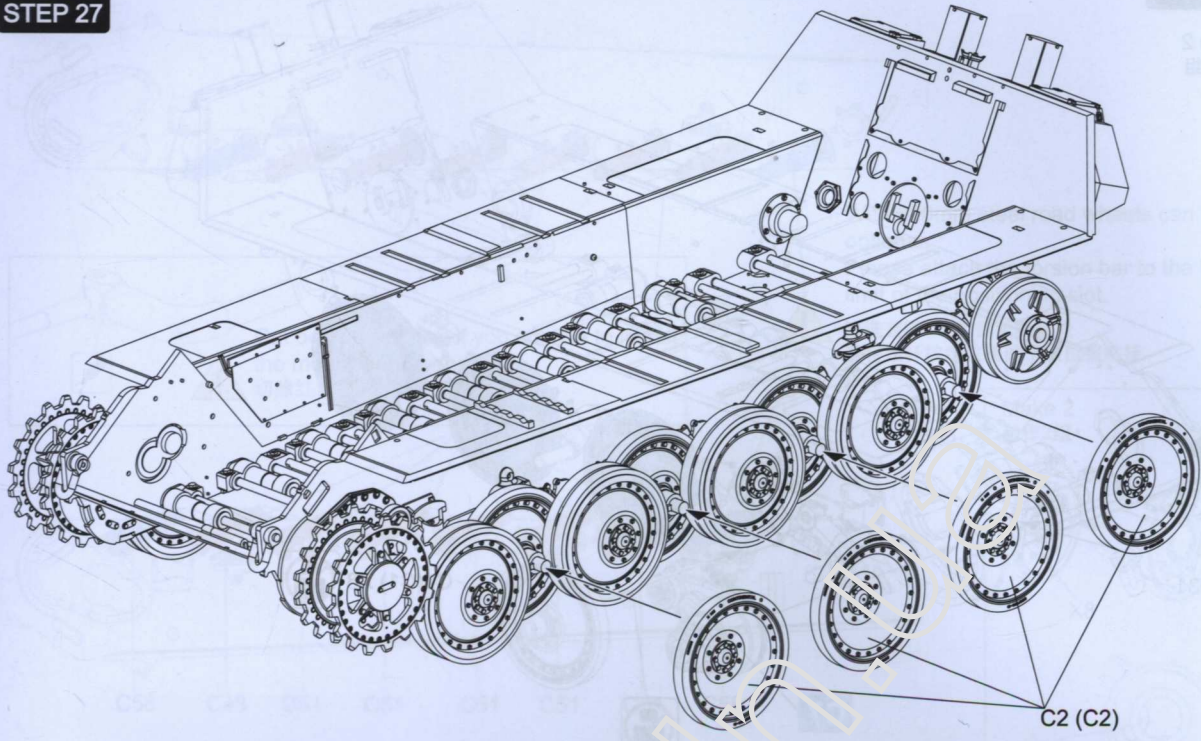
STEP 26



STEP 27

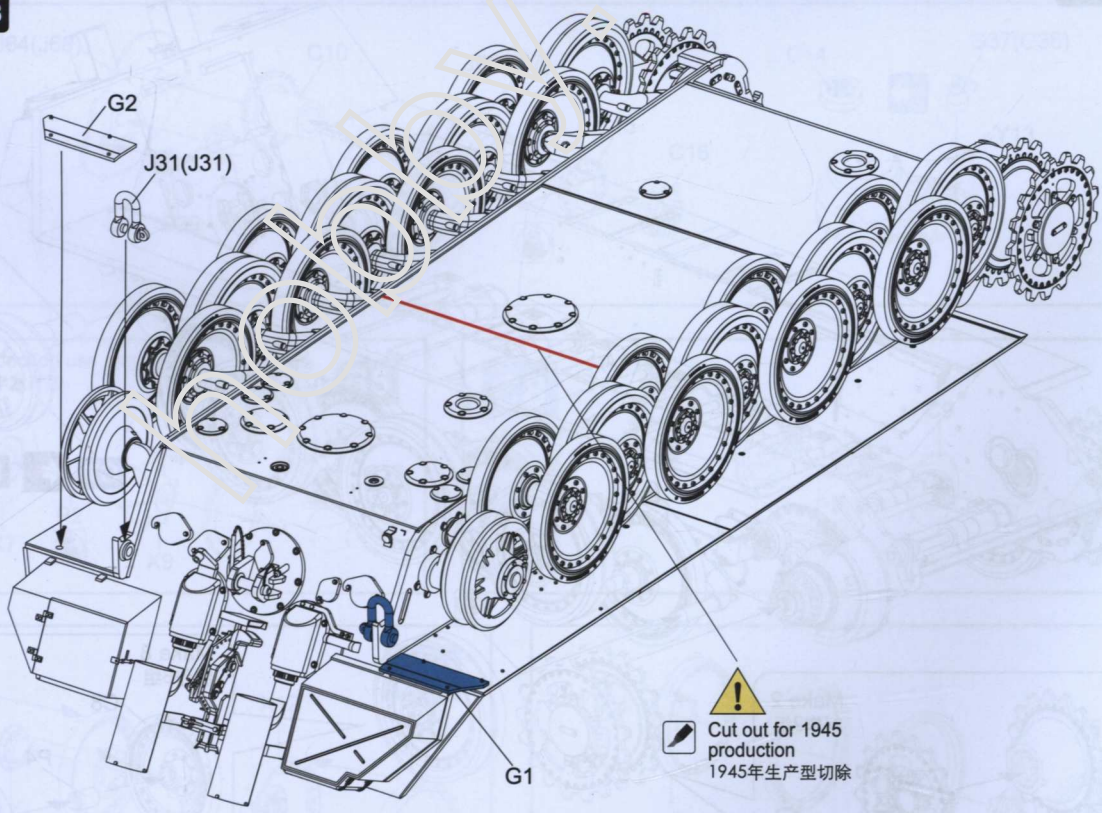
STEP 28

Make 2
RM 519

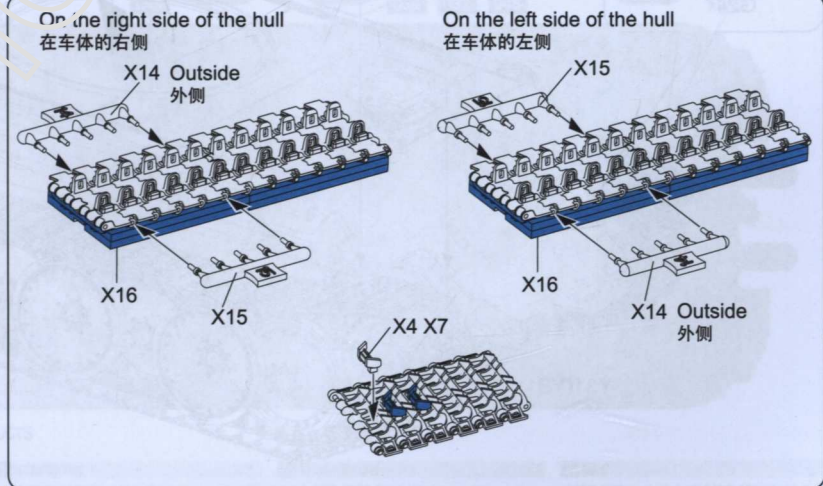
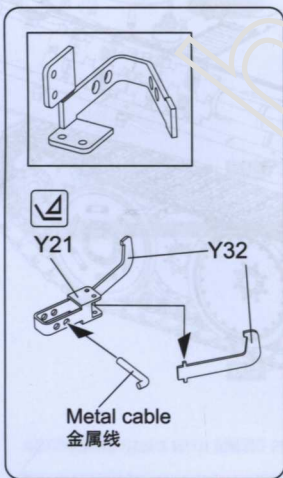
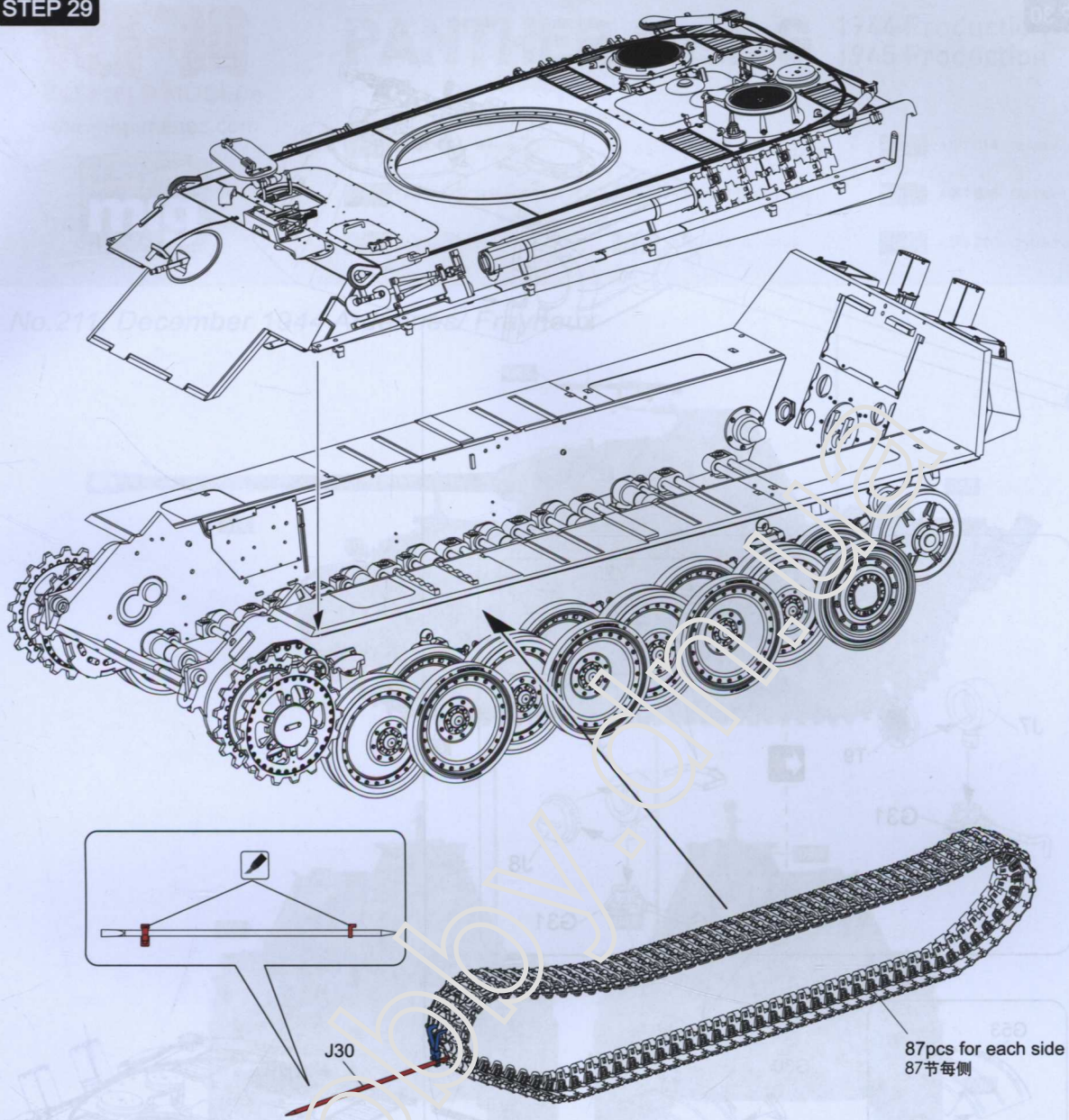


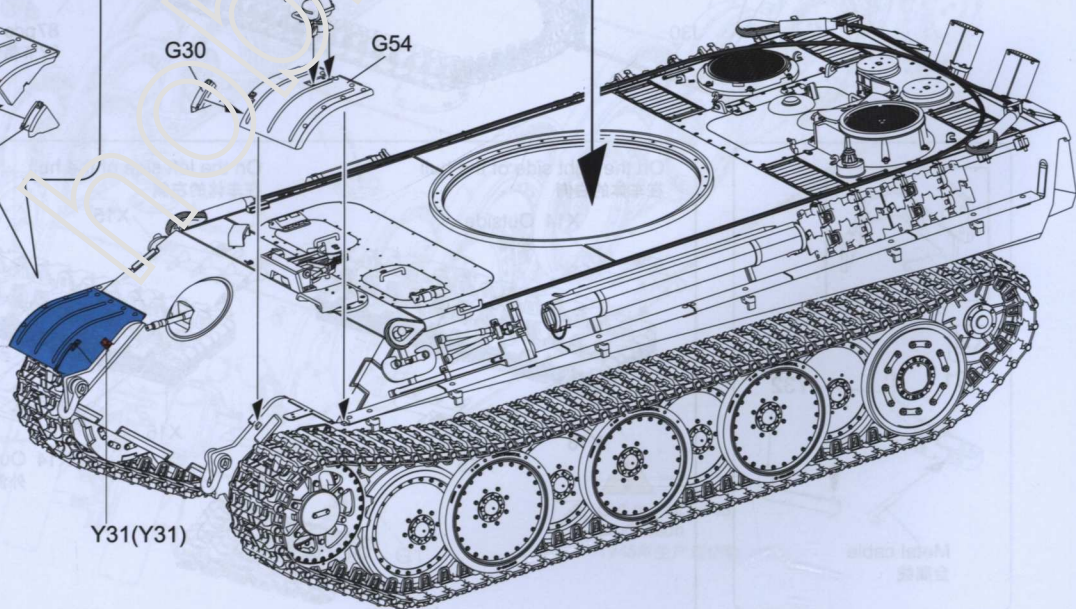
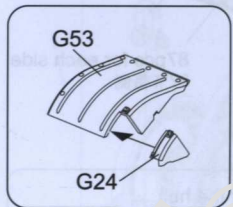
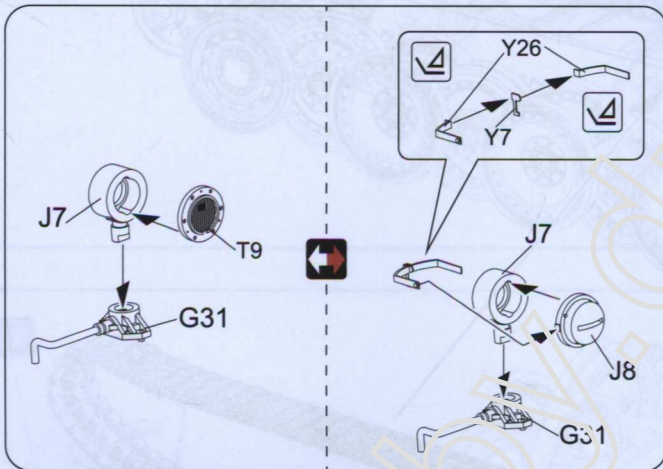
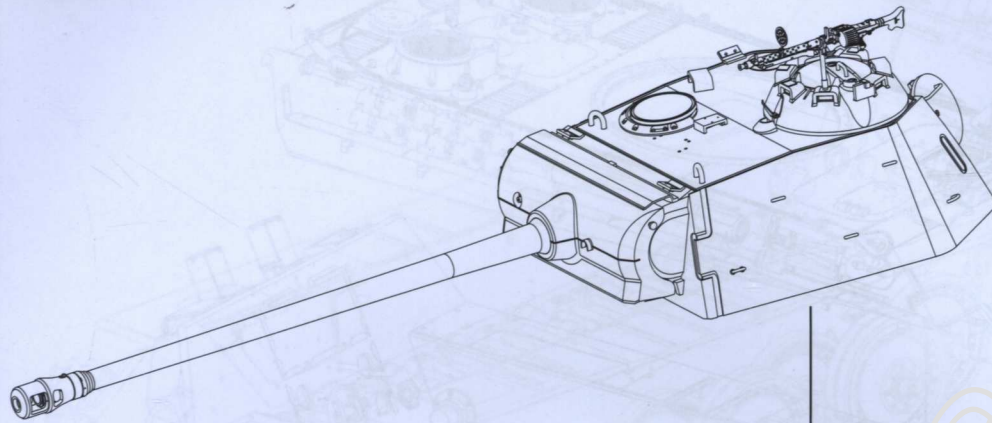
STEP 28

STEP 29



STEP 29







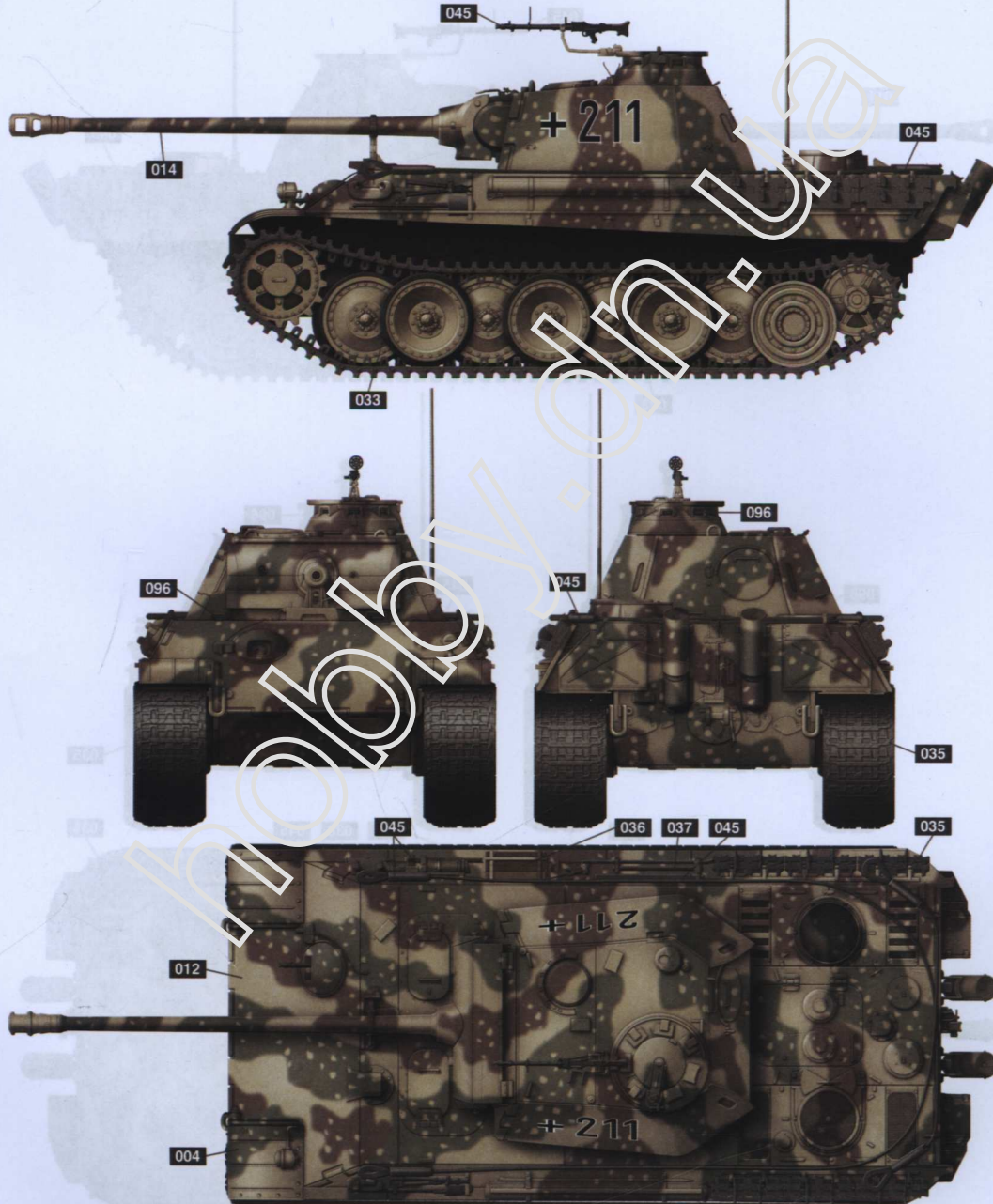
PANTHER Ausf. G

1944 Production or
1945 Production

Painting and Marking Guide

 A.MIG 004 B Resedagrün	 A.MIG 012 Dunkelgelb AUS '44 DG III	 A.MIG 014 Rotbraun
 A.MIG 033 Rubber & Tires	 A.MIG 035 Dark Tracks	 A.MIG 036 Old Wood
 A.MIG 037 New Wood	 A.MIG 045 Gun Metal	 A.MIG 096 Crystal Periscope Green

No.211, December 1944 Ardennes/ Frayneux



WEATHERING STEPS WITH AMMO PRODUCTS

1 GENERAL WASH A.MIG-1008 Dark Wash	3 STREAKING A.MIG-1203 Streaking Grime	5 TRACK WASH A.MIG-1002 Tracks Wash	7 MUD A.MIG-1752 Loose Ground A.MIG-1704 Heavy Earth
2 FILTER A.MIG-1510 Tan for 3 tone camo	4 RUST A.MIG-3510 Rust	6 DUST A.MIG-3012 Sand	8 FUEL STAINS A.MIG-1409 Fuel Stains

RFM

RYEFIELD MODEL®

www.migjimenez.com



PANTHER Ausf. G

1944 Production or
1945 Production

Painting and Marking Guide

A.MIG 001 Olivgrün Opt.1	A.MIG 011 Dunkelgelb AUS '44 DG I	A.MIG 015 Schokobraun
A.MIG 033 Rubber & Tires	A.MIG 035 Dark Tracks	A.MIG 036 Old Wood
A.MIG 038 Light Wood	A.MIG 045 Gun Metal	A.MIG 096 Crystal Periscope Green

Kampfgruppe Pz.Brig. 106 FHH, Bonn, March 1945



WEATHERING STEPS WITH AMMO PRODUCTS

1 GENERAL WASH A.MIG-1000 Brown Wash for German Yellow	3 STREAKING A.MIG-1208 Rainmarks Effects	5 TRACK WASH A.MIG-1002 Tracks Wash	7 MUD A.MIG-1751 Dry Steppe A.MIG-1703 Moist Ground
2 FILTER A.MIG-1510 Tan for 3 tone camo	4 CHIPPING A.MIG-0044 Chipping	6 DUST A.MIG-3013 Rubbel	8 GREASE & OIL A.MIG-1408 Fresh Engine Oil



FACEBOOK



微信公众号

RYEFIELD MODELS (HK) CO., LTD.
香港麦田模型玩具有限公司

Business / 业务与合作: rfm@ryefield-model.com

Support / 售后支持: support@ryefield-model.com

Website / 网站: www.ryefield-model.com

COPYRIGHT © 2018 ALL RIGHTS RESERVED