



**5020**

MILITARY MINIATURE SERIES

# M551A1/ M551A1 TTS SHERIDAN

M551A1/ A1 TTS 谢里登轻型坦克

M551A1/ TTS シェリダン

## ASSEMBLY ICONS



OPTIONAL  
选择



CEMENT  
膠水



DO NOT CEMENT  
不使用膠水



INSTANT CEMENT  
瞬間接著劑



BEND  
彎折



MAKE 2  
製作2組



OPEN HOLE  
穿孔



REMOVE  
切除



BE CAREFUL  
注意



APPLY DECAL  
貼上水貼紙

## CAUTION!

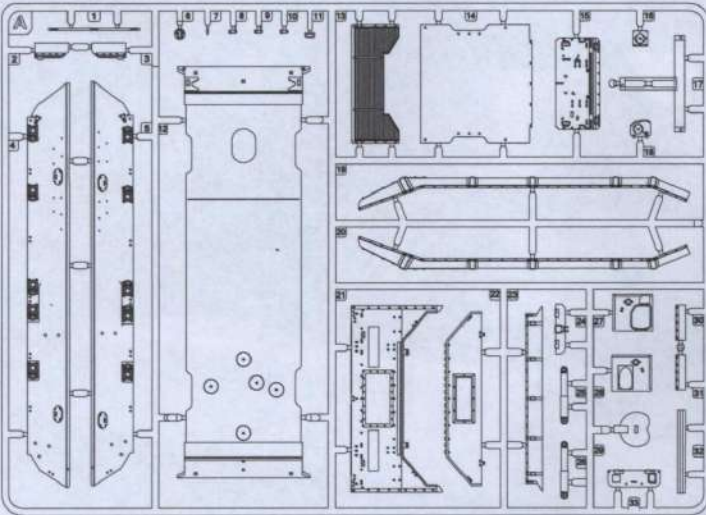
Read carefully and fully understand the instructions before commencing assembly.  
Supervising adult should also read the instructions if a child assembles the model.  
When you used glue or paint, do not use near a naked flame, and use in a well-ventilated room.  
When assembling this kit, tools including knives are used. Extra care should be taken to avoid personal injury.  
Read and follow the instructions supplied with paints and/ or cement. Use plastic cement and paints only.  
Keep out of reach of small children. Children must not be allowed to suck any part, or pull vinyl bag over the head.

在裝配前仔細閱讀說明並完全理解。小孩裝配時需成人看護且需仔細閱讀說明。  
使用膠水和油漆時，應遠離火源並打開窗戶保持空氣流通。  
製作時請格外注意工具刀和零件的鋒利尖銳部分，避免對身體造成傷害。  
在使用膠水和油漆前仔細閱讀注意事項，按照說明正確使用膠水和油漆。  
請將本品放在兒童接觸不到的地方，套件中的塑膠包裝袋會對兒童造成窒息的危險。

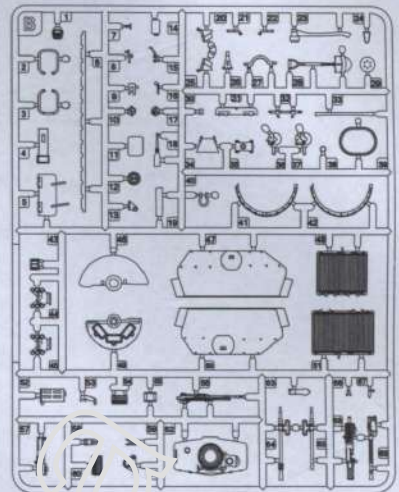


**PARTS 部品图**

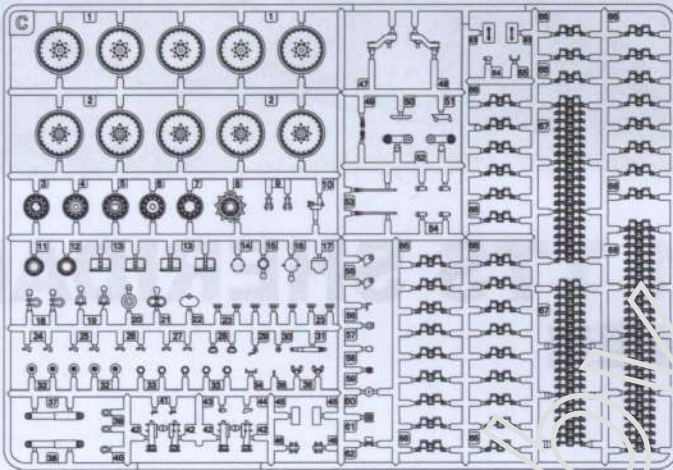
**A: 1 piece**



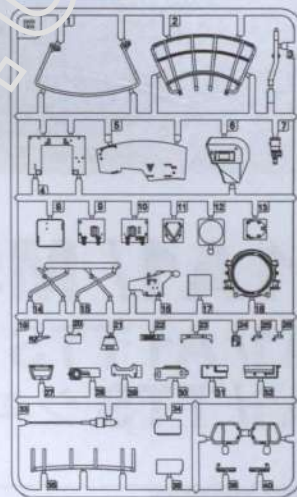
**B: 1 piece**



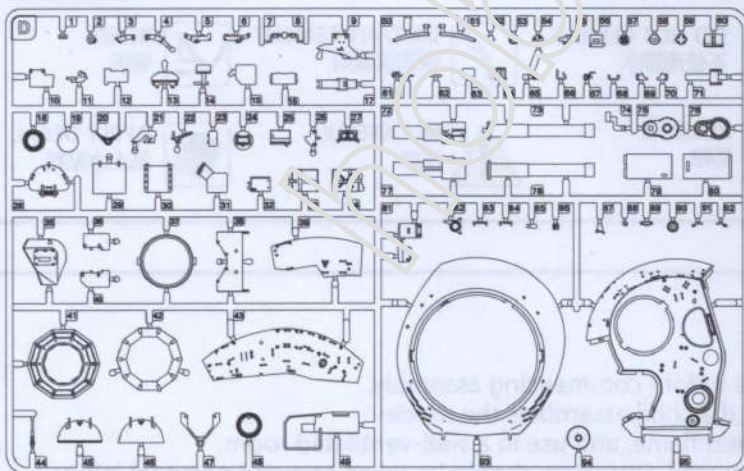
**C: 2 pieces**



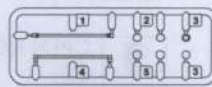
**E: 1 piece**



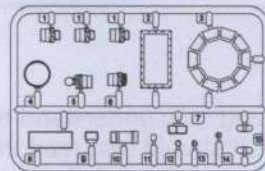
**D: 1 piece**



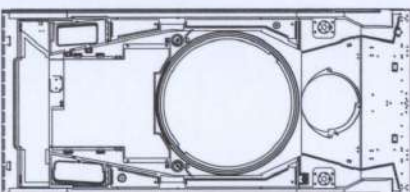
**F: 1 piece**



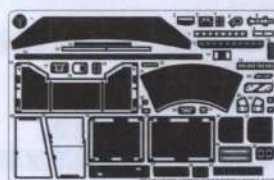
**T: 1 piece**



**Lower Hull: 1 piece**



**Y: 1 piece**



**Decal: 1 piece**

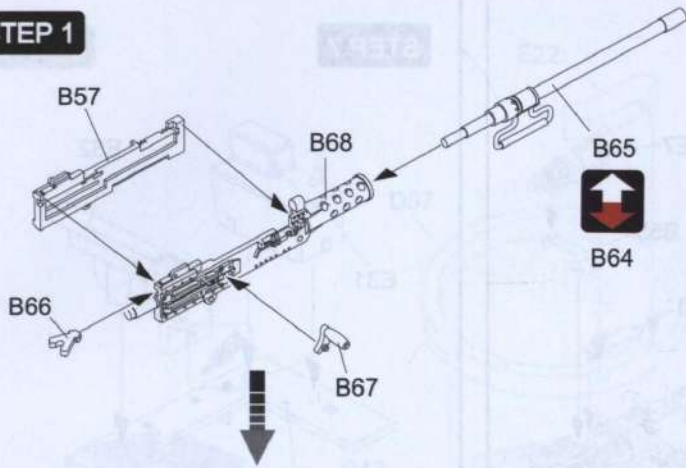


**Spring**

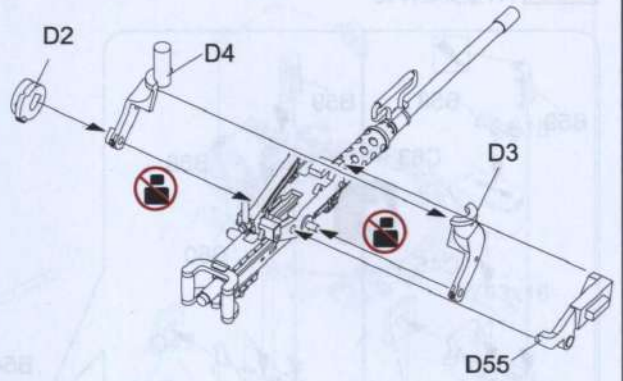




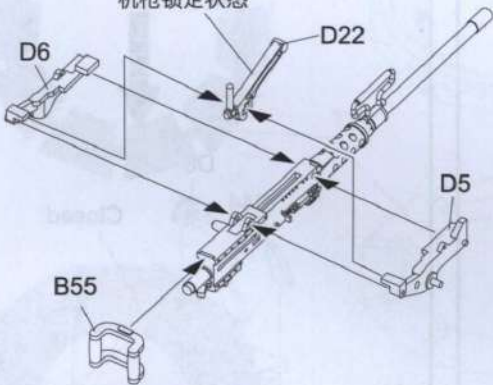
STEP 1



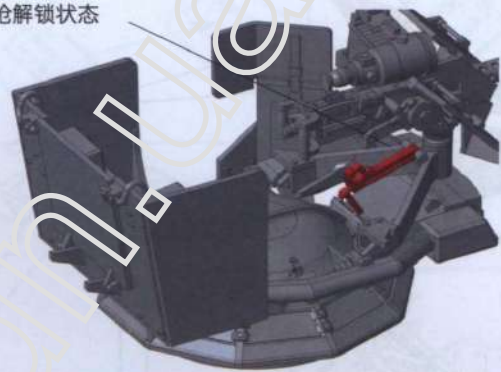
STEP 2



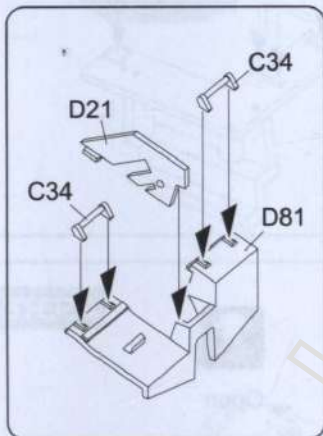
Locked  
机枪锁定状态



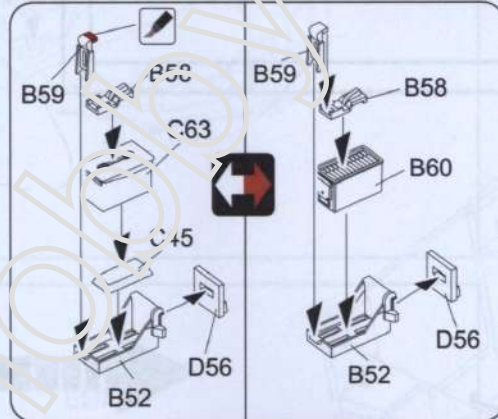
Unlocked  
机枪解锁状态



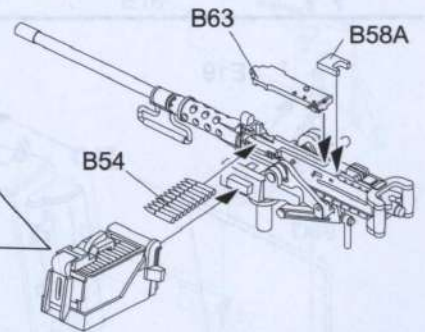
STEP 3



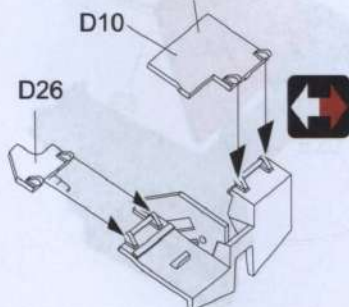
STEP 4



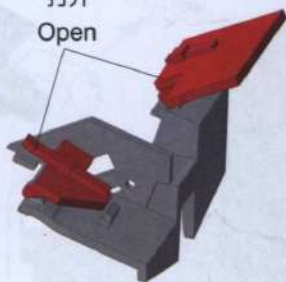
Use only for A1TTS  
仅适用于A1TTS 型号



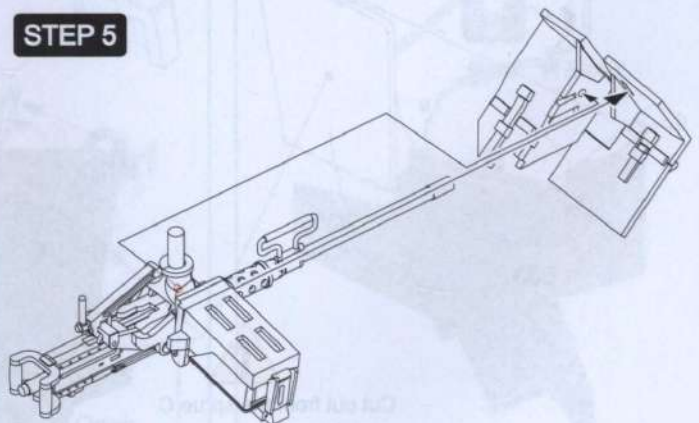
关闭  
Closed



打开  
Open



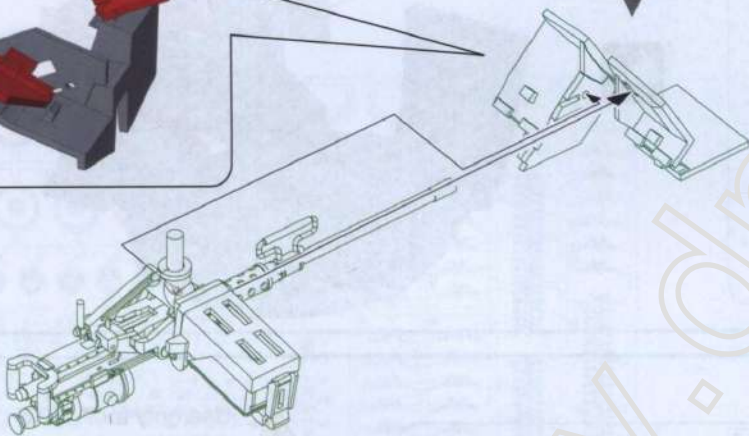
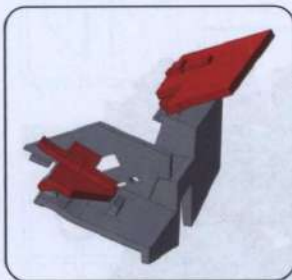
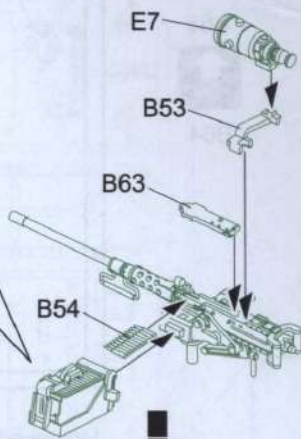
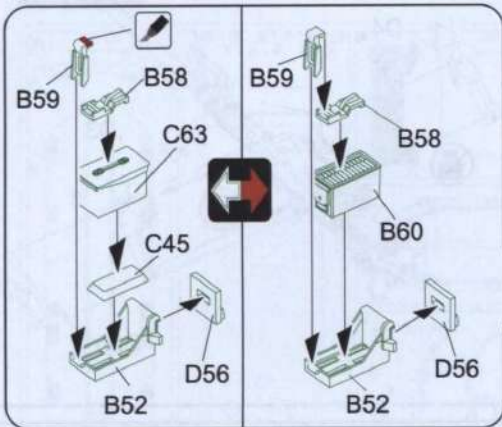
STEP 5



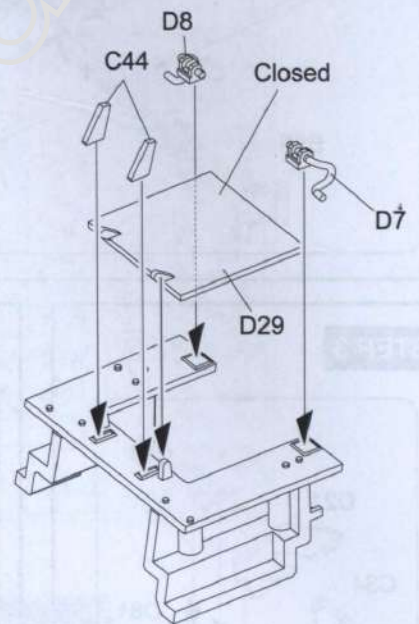
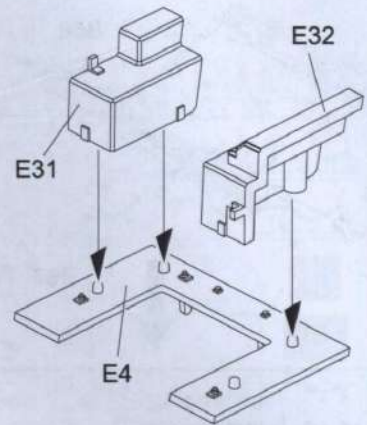




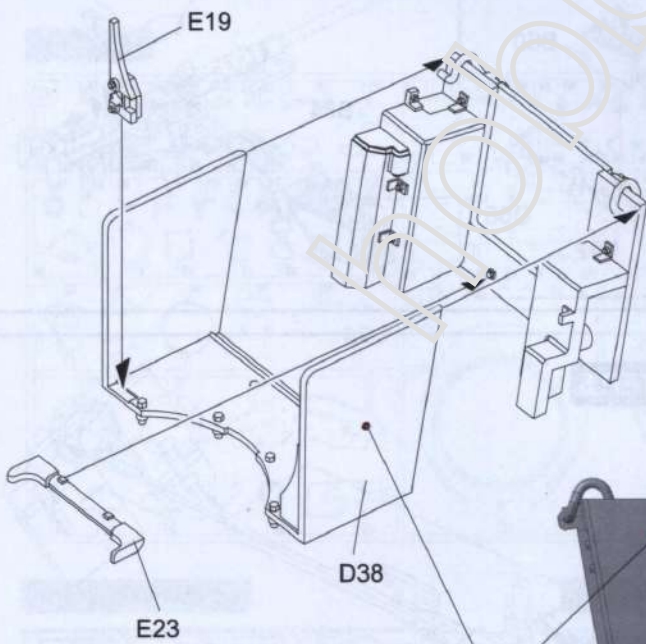
Use only for A1  
A1型安装样式



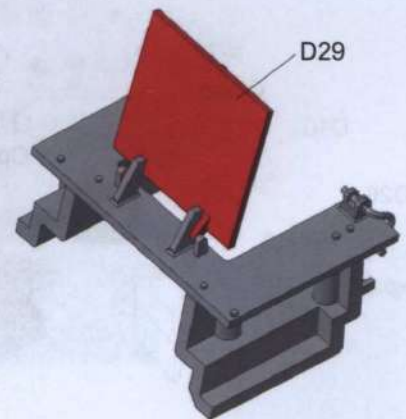
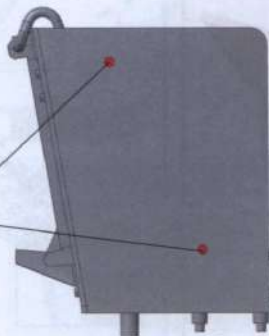
**STEP 7**



Open

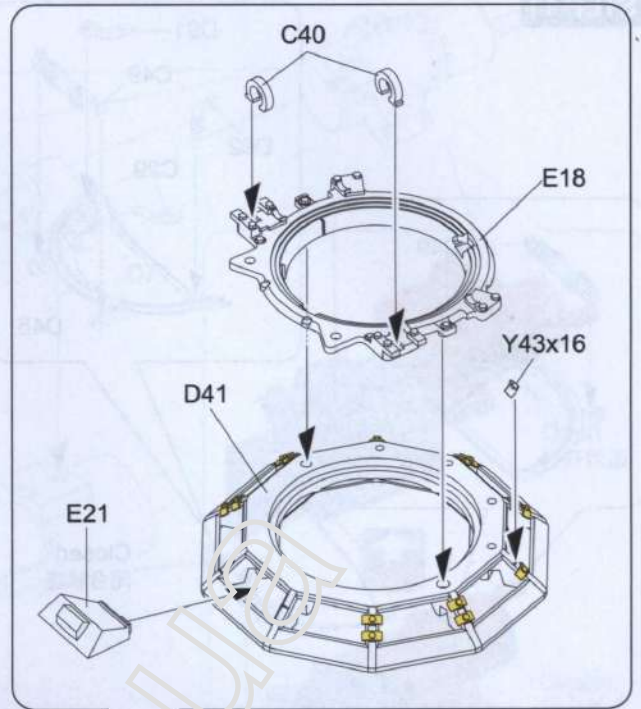
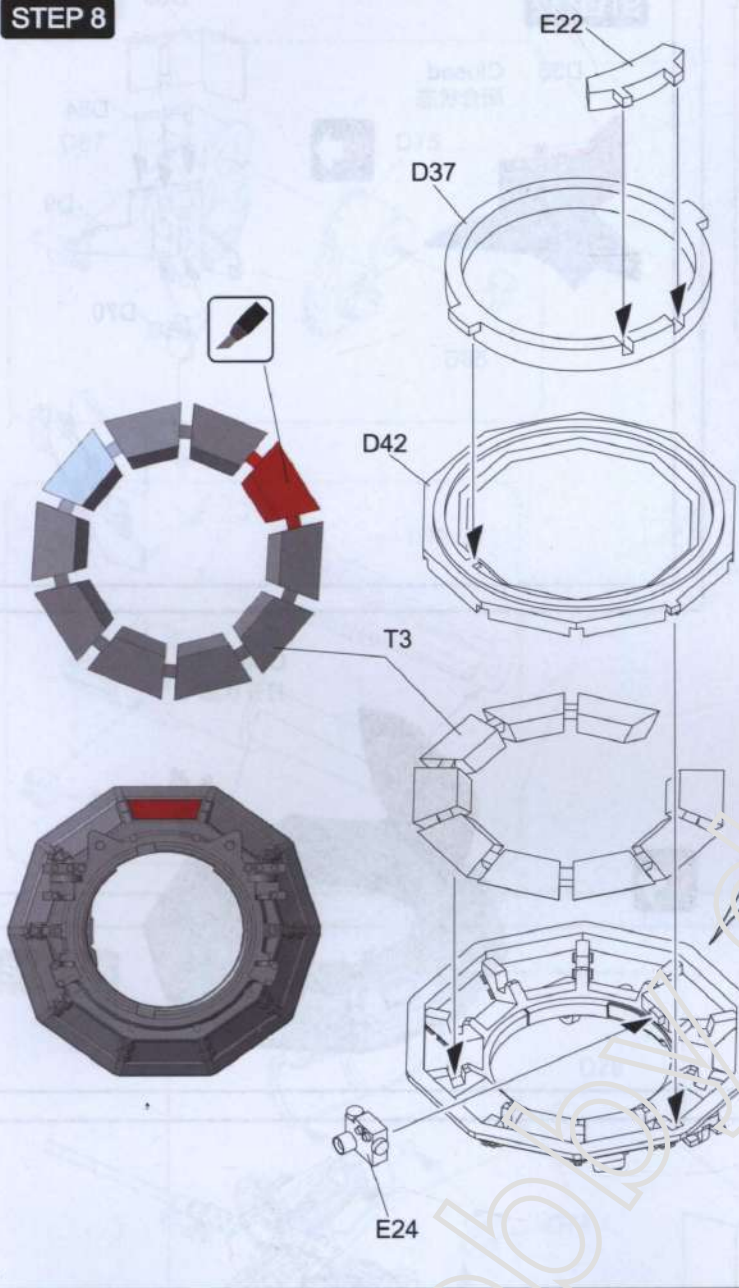


Cut out from the sprue C  
从C版胶道上获取



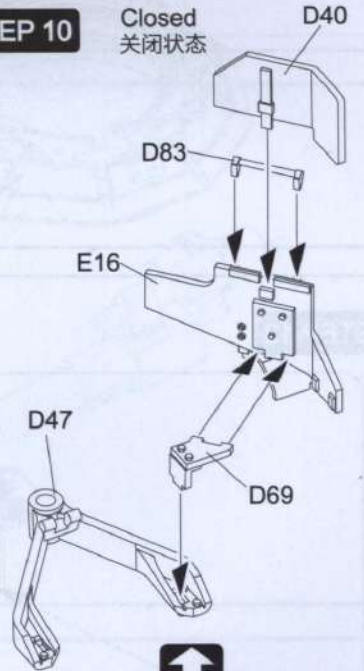


**STEP 8**

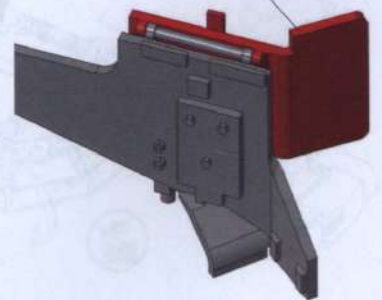


**STEP 10**

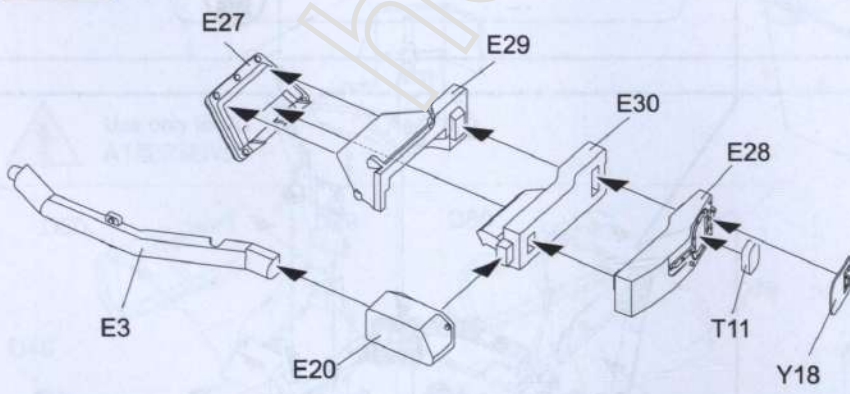
Closed  
关闭状态



Open 打开状态

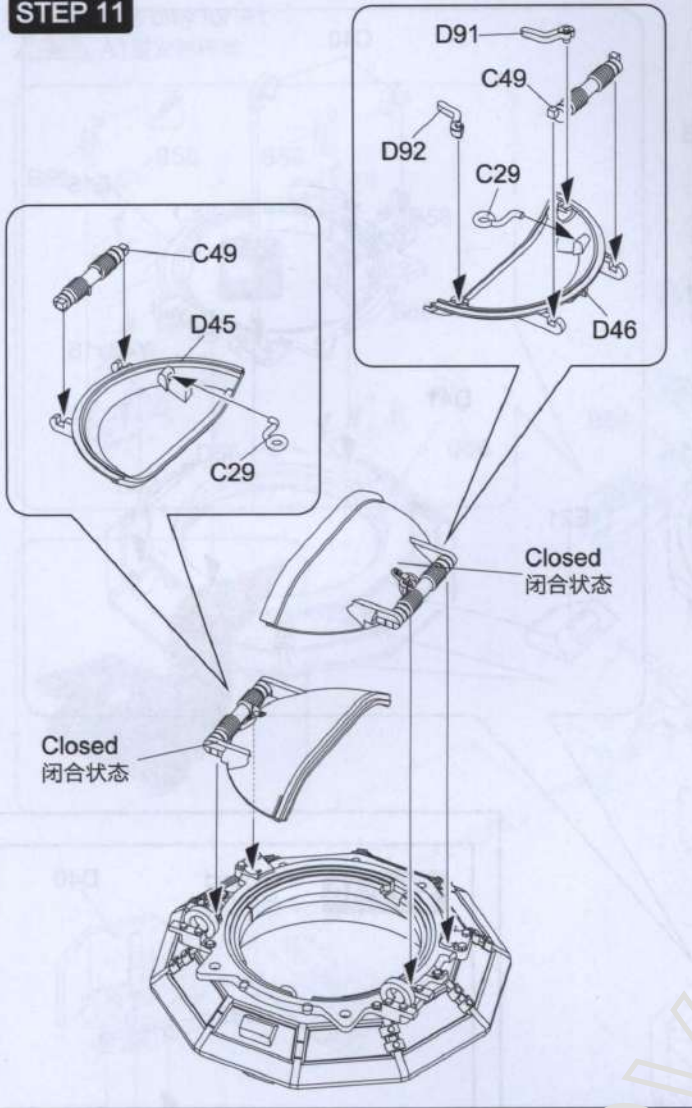


**STEP 9**

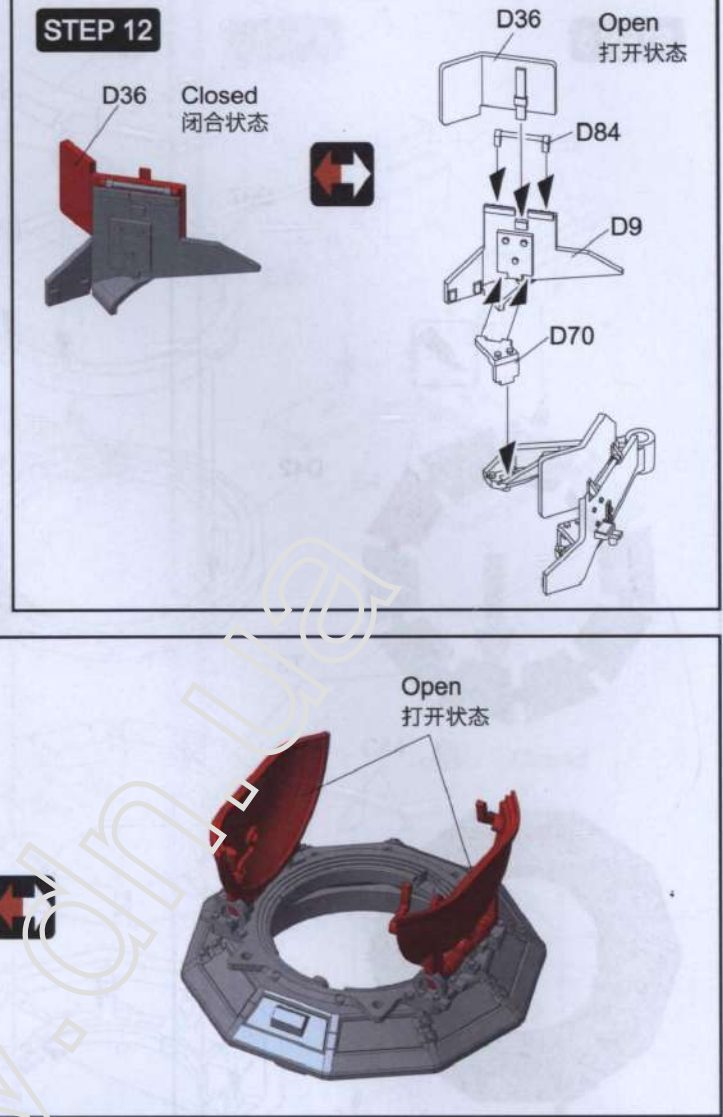




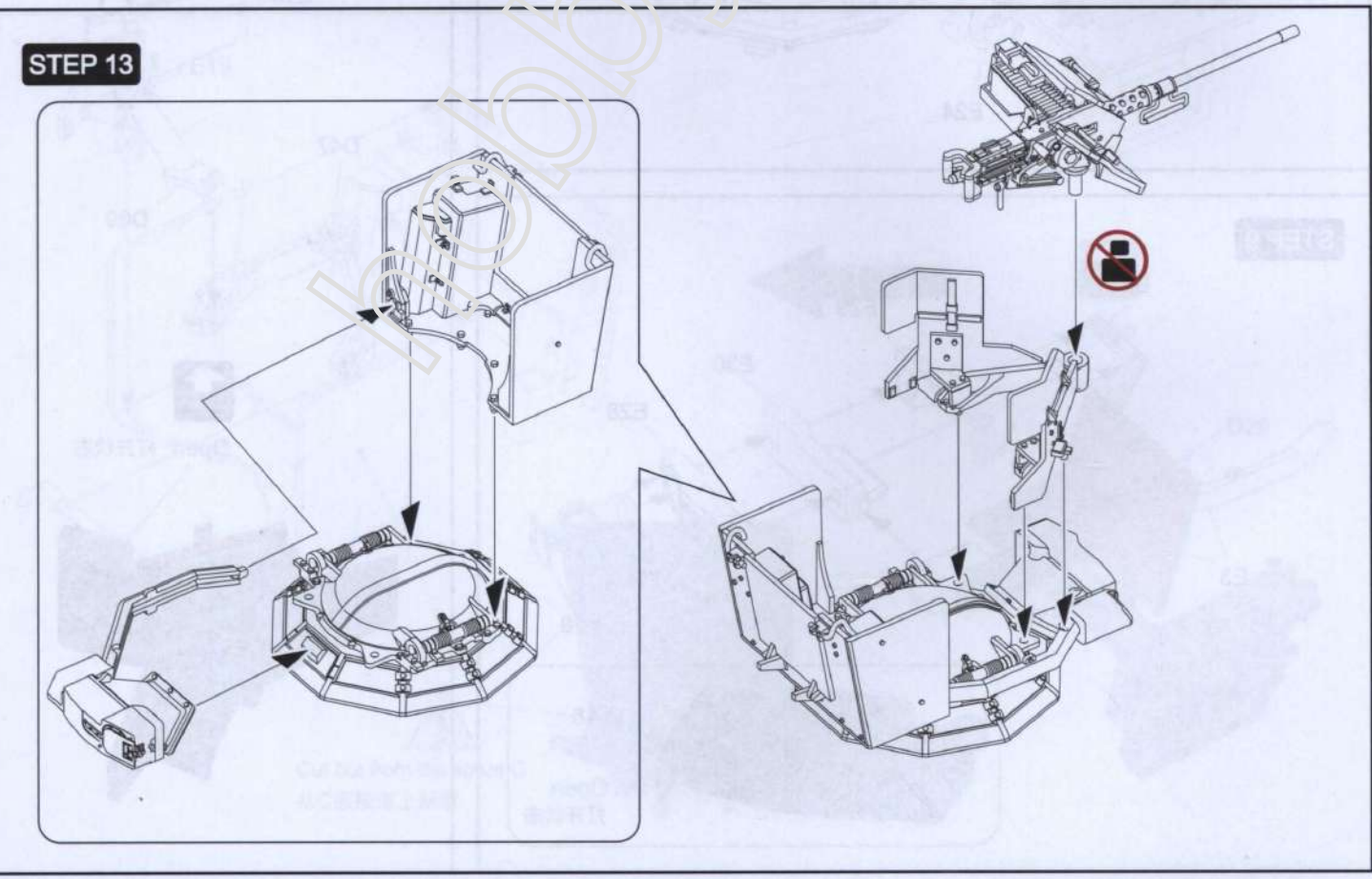
**STEP 11**



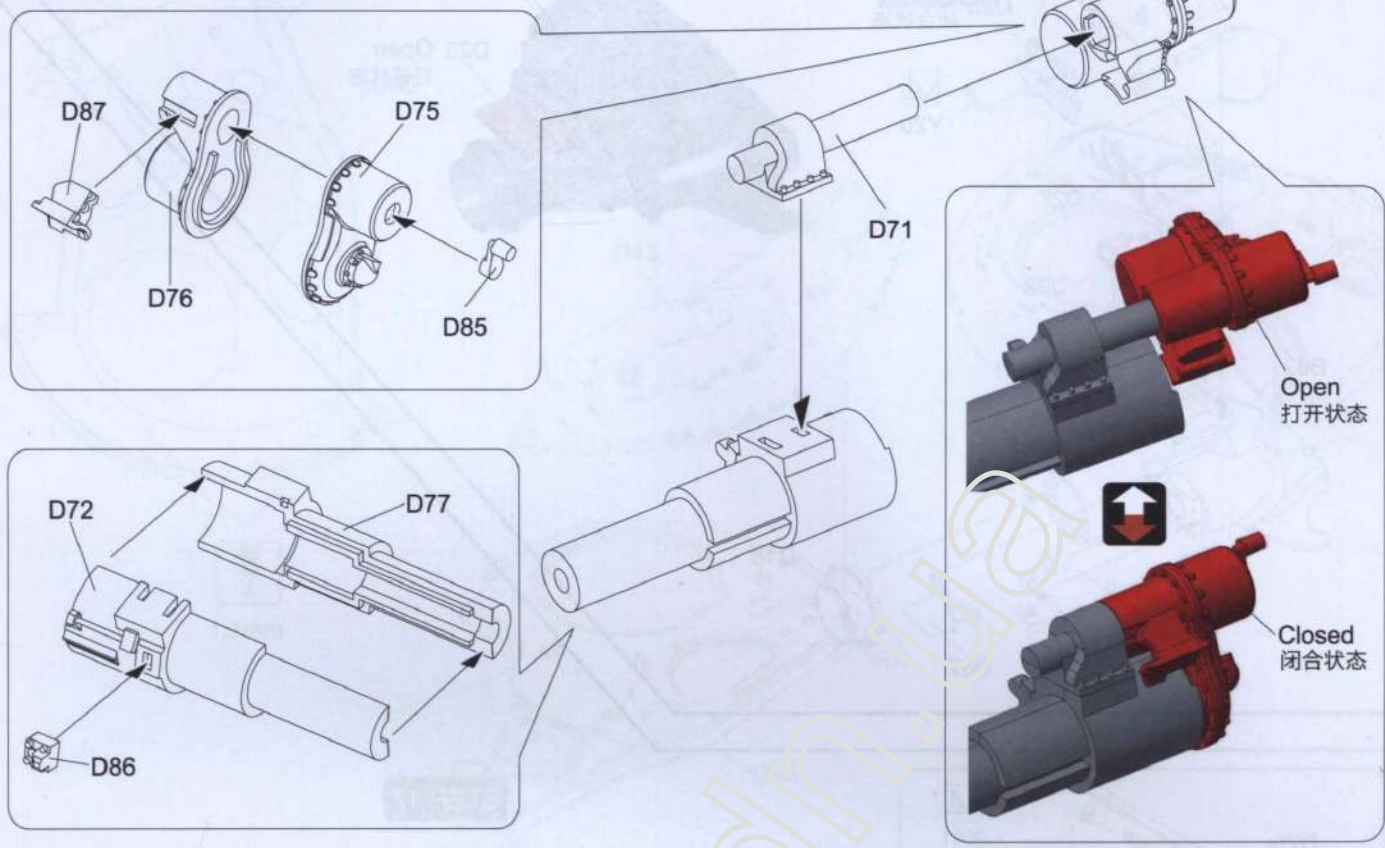
**STEP 12**



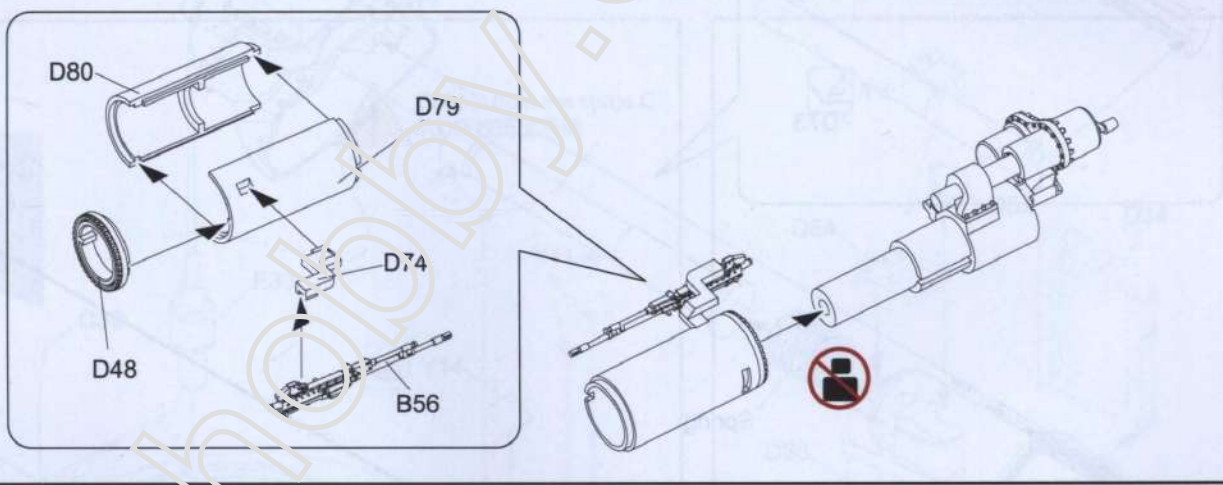
**STEP 13**



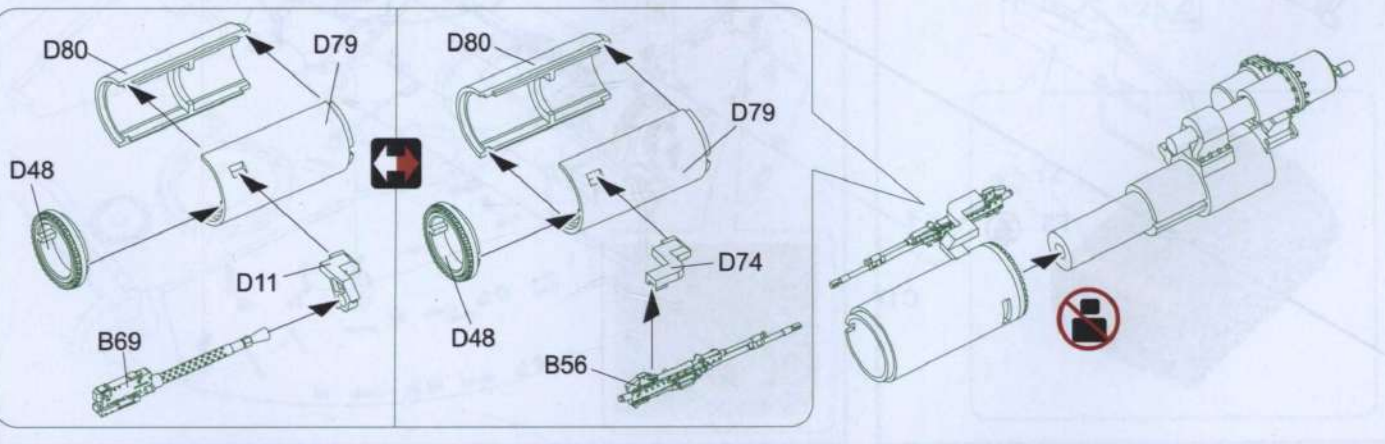
### STEP 14



### STEP 15

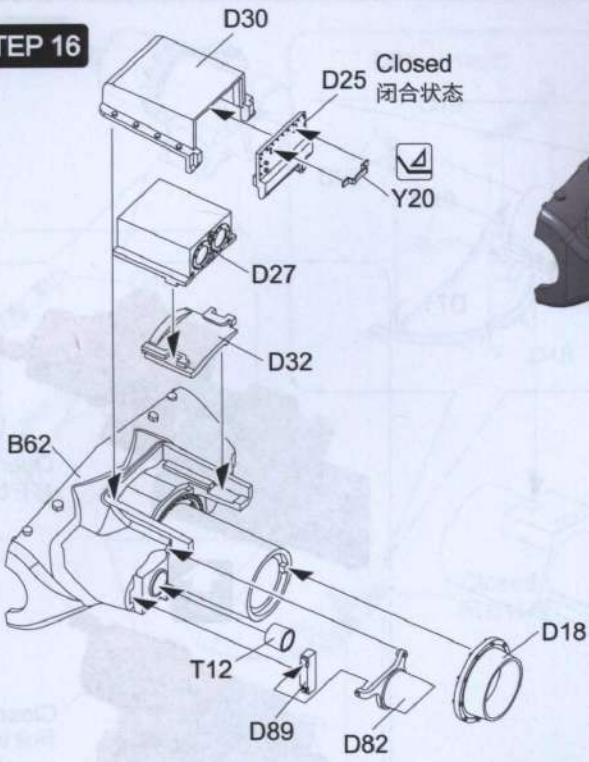


**!** Use only for A1  
A1型安装样式

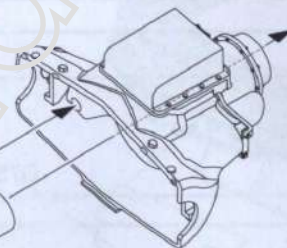
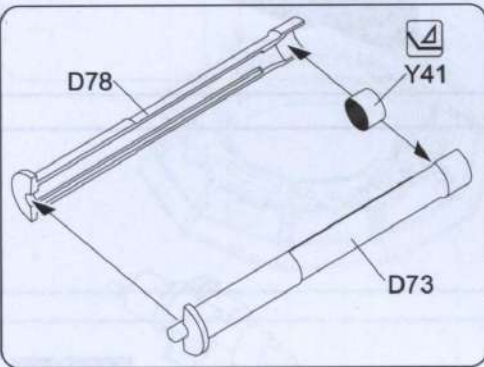




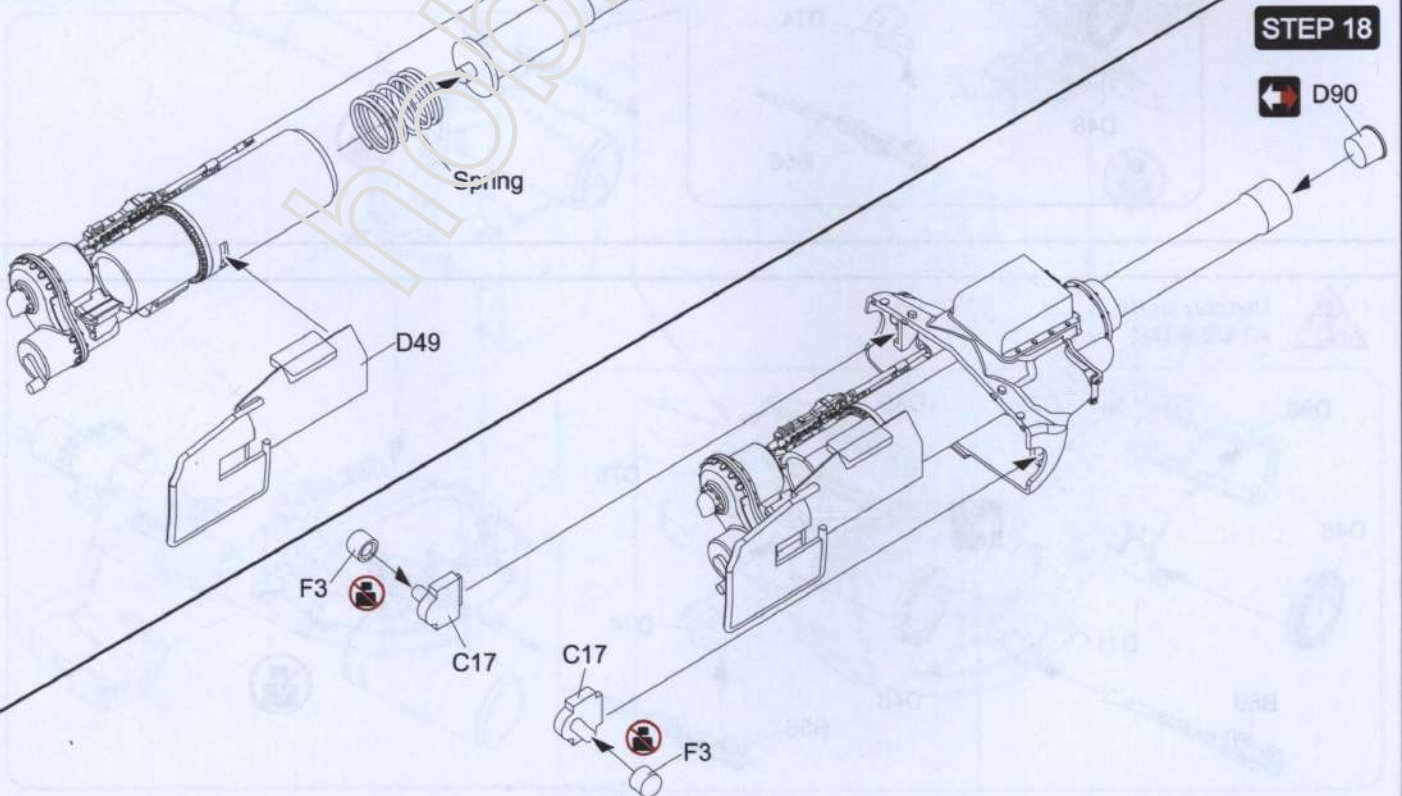
**STEP 16**



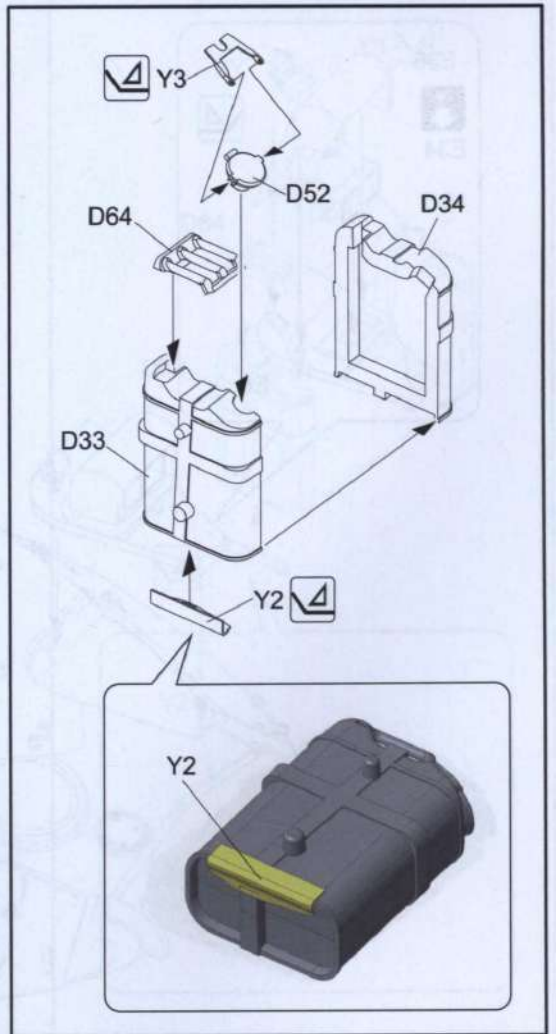
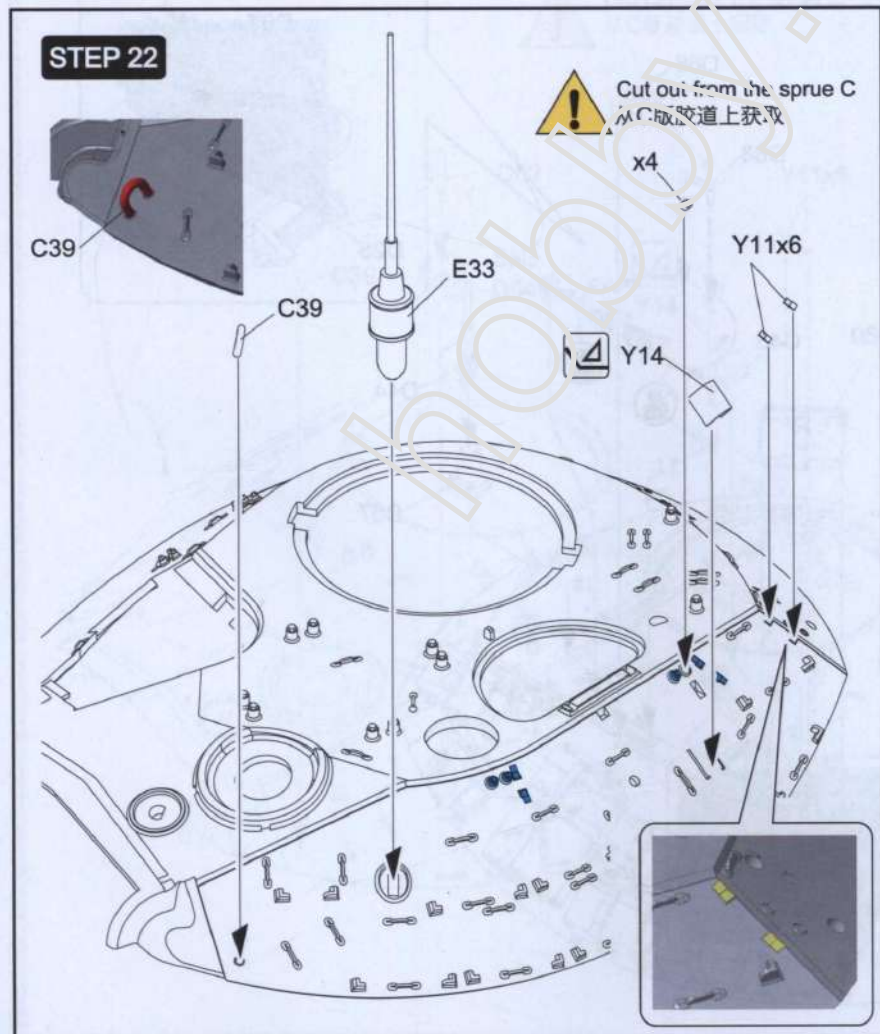
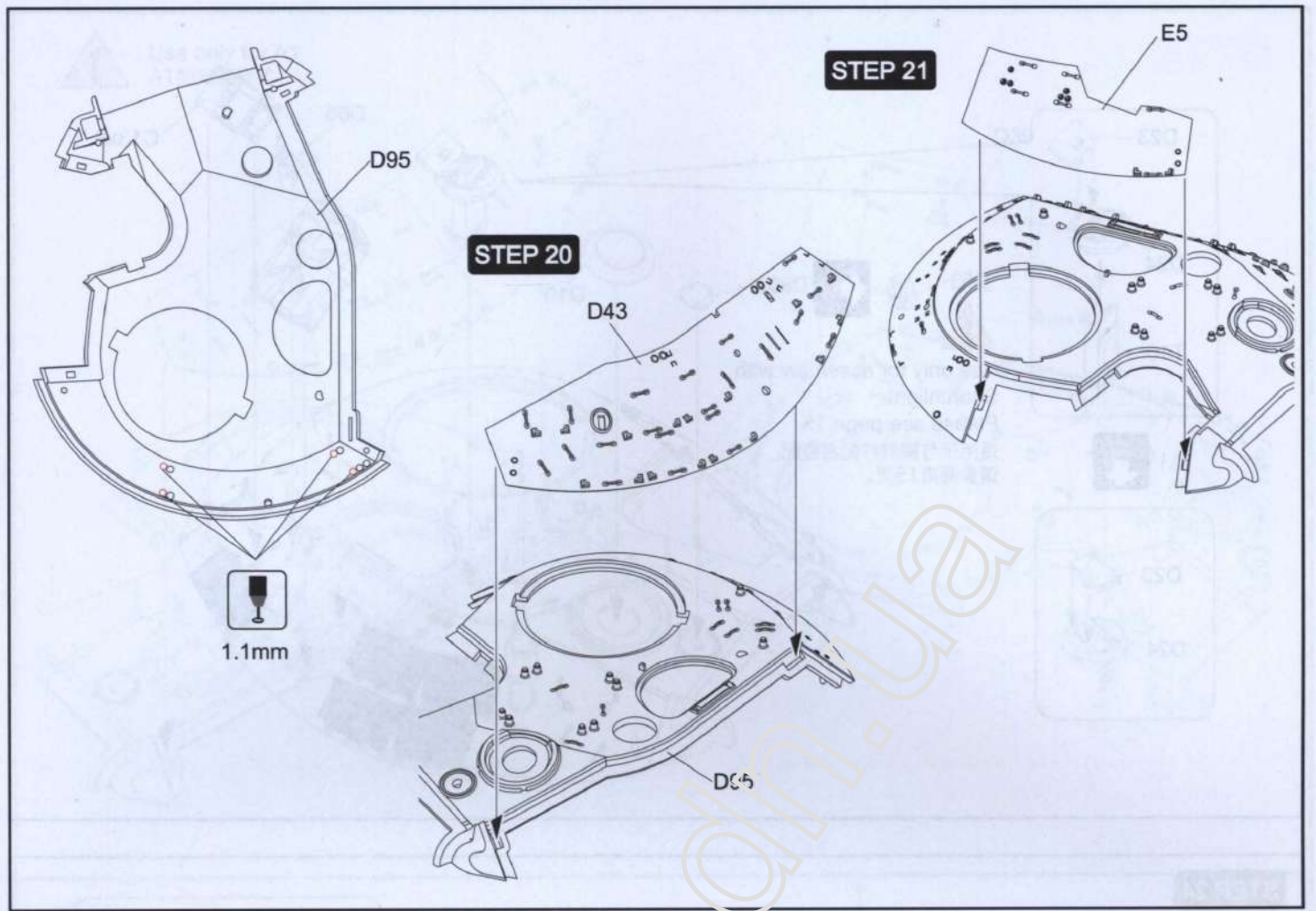
**STEP 17**



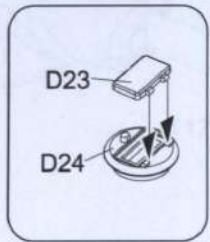
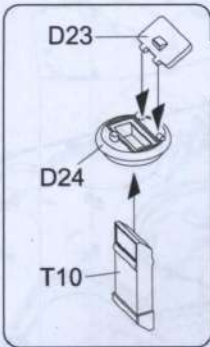
**STEP 18**



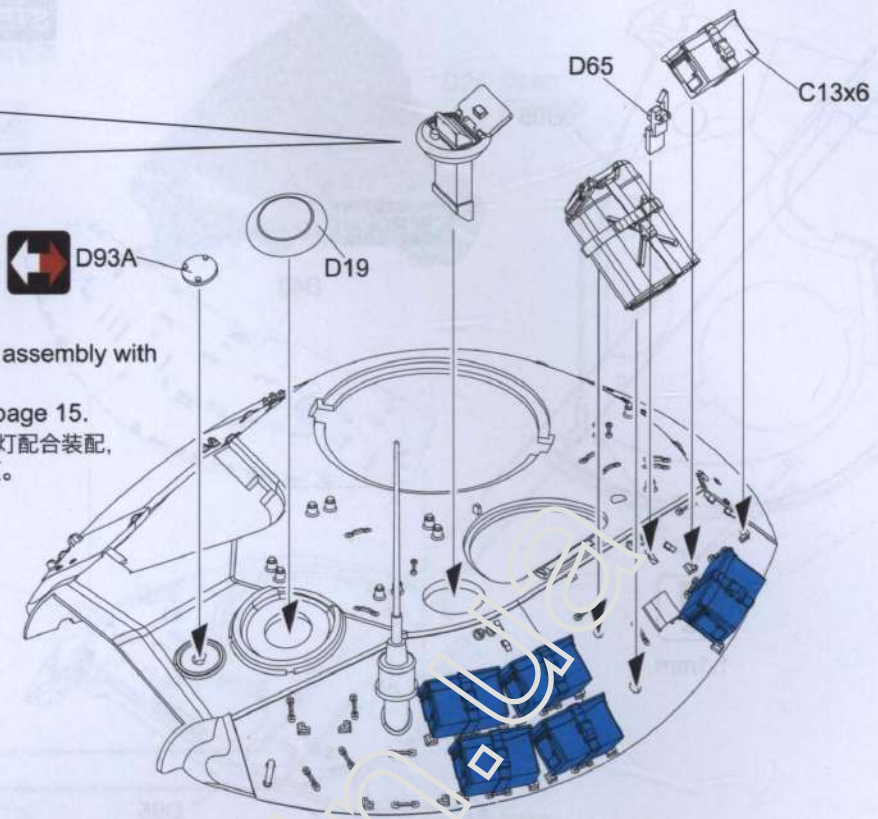




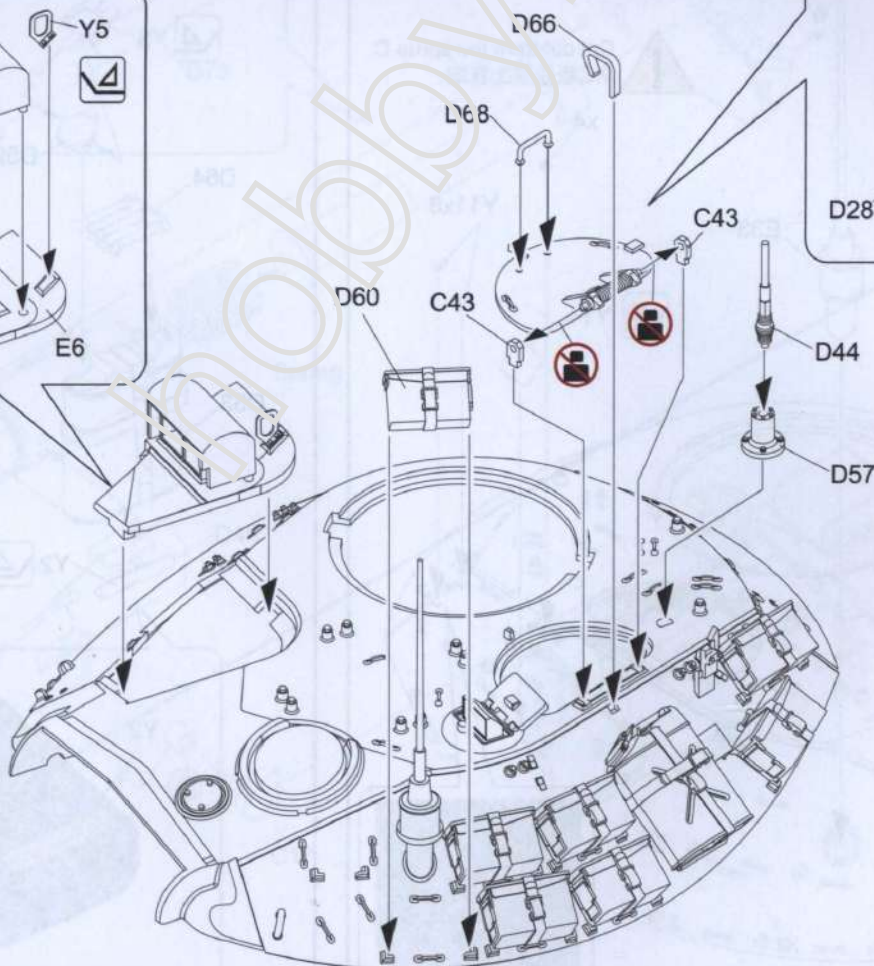
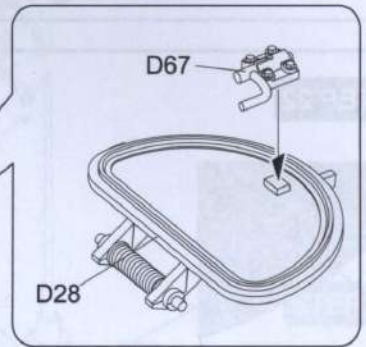
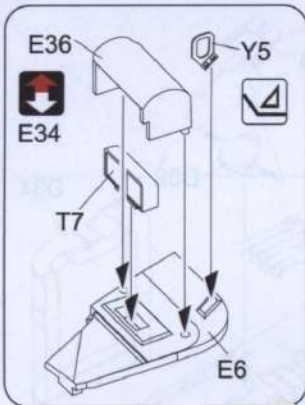




Use only for assembly with Searchlight.  
Please see page 15.  
适用于与探照灯配合装配，  
请参阅第15页。



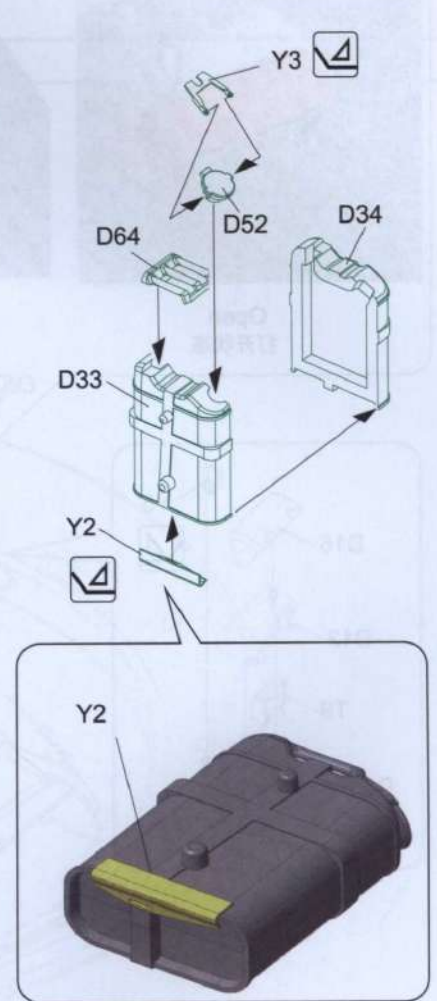
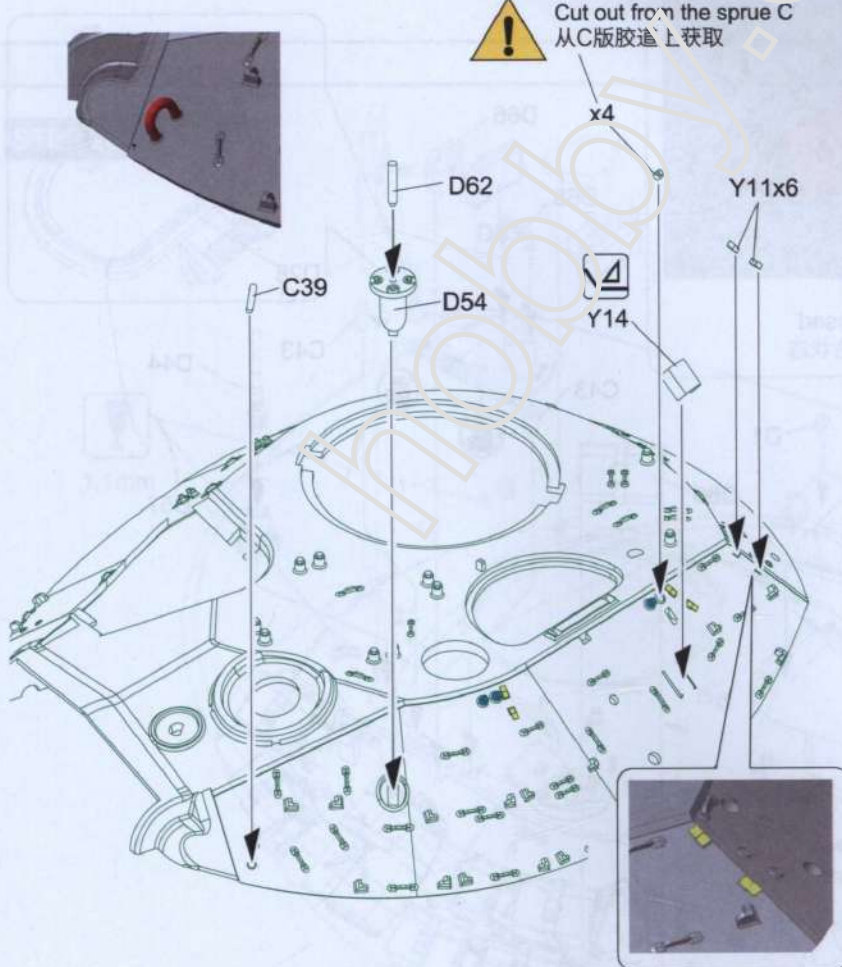
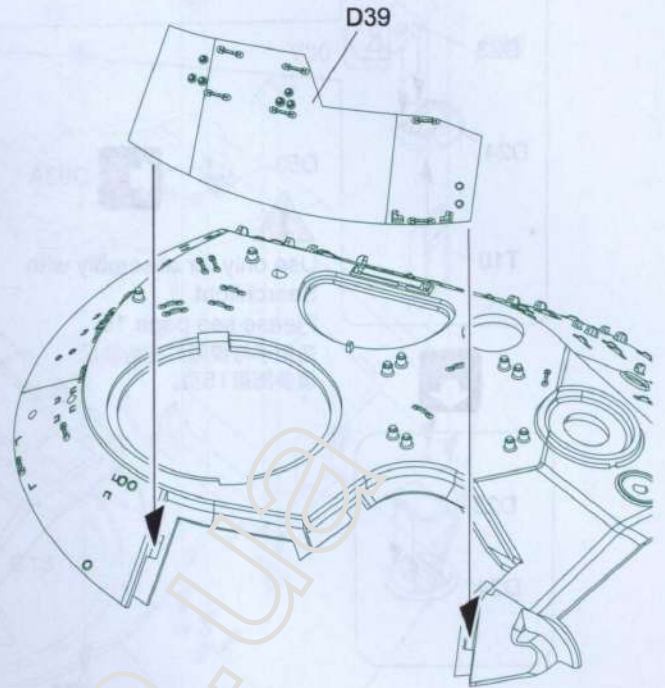
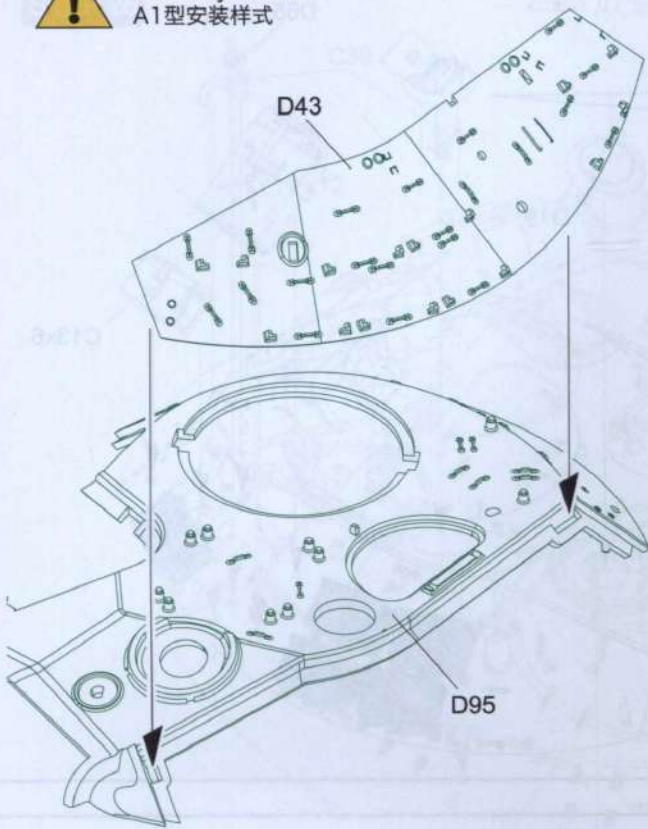
**STEP 24**







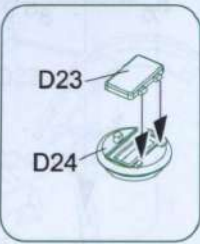
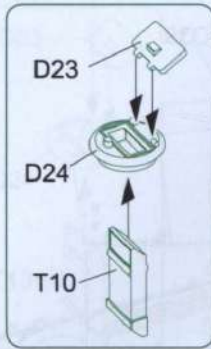
Use only for A1  
A1型安装样式







Use only for A1  
A1型安装样式



Use only for assembly with  
Searchlight.  
Please see page 15.  
适用于与探照灯配合装配，  
请参阅第15页。



D93A

D19

D65

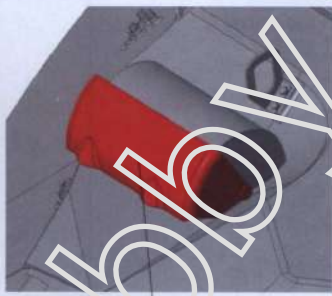
C13x6



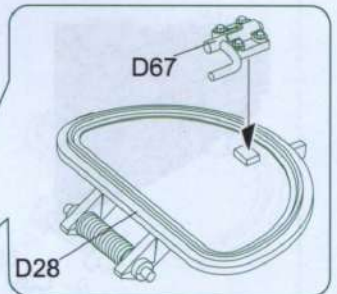
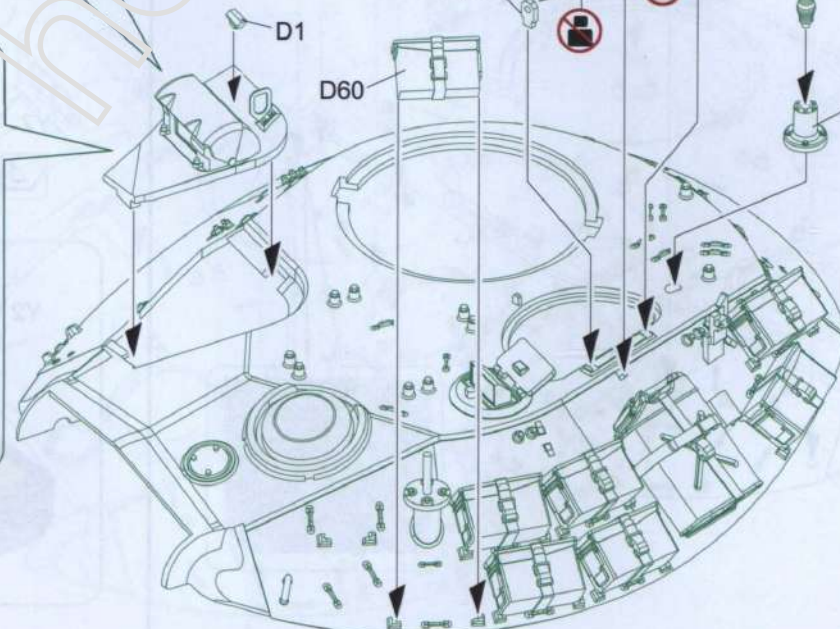
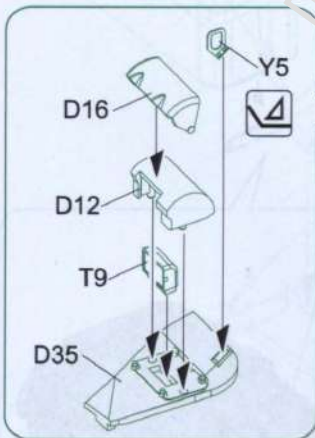
Use only for A1  
A1型安装样式



Open  
打开状态



Closed  
闭合状态



D67

D28

D66

D68

C43

C43

D44


D57

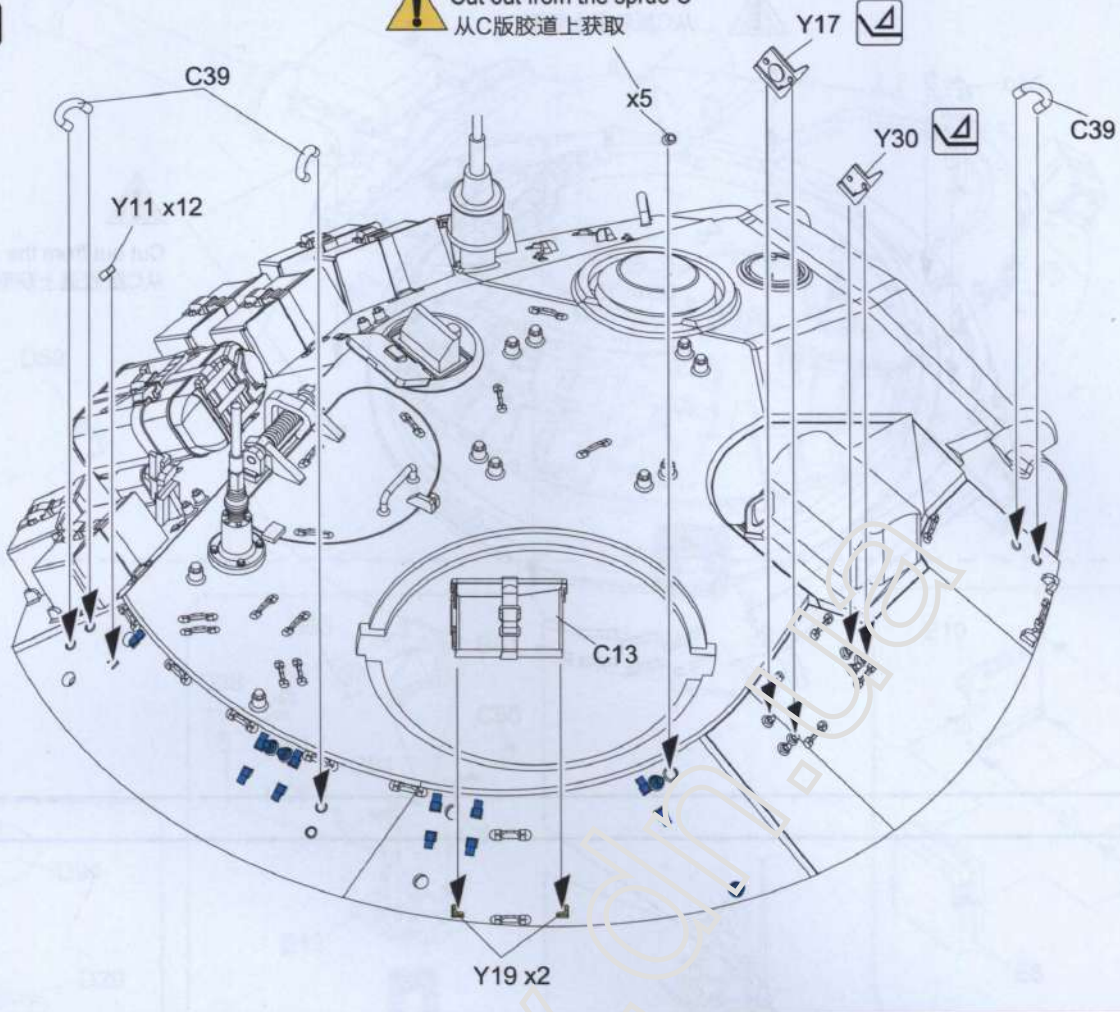
D1

D60



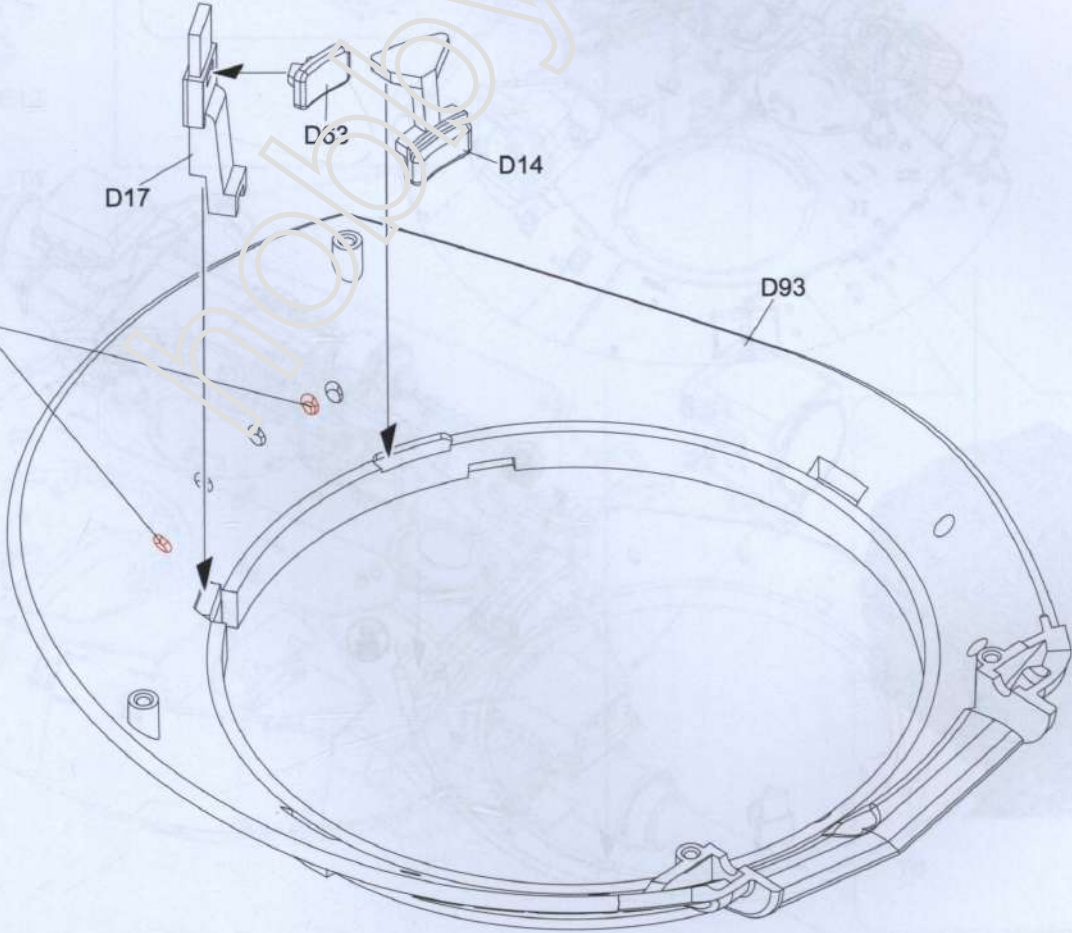
**STEP 25**

 Cut out from the sprue C  
从C版胶道上获取



**STEP 26**

 1.1mm

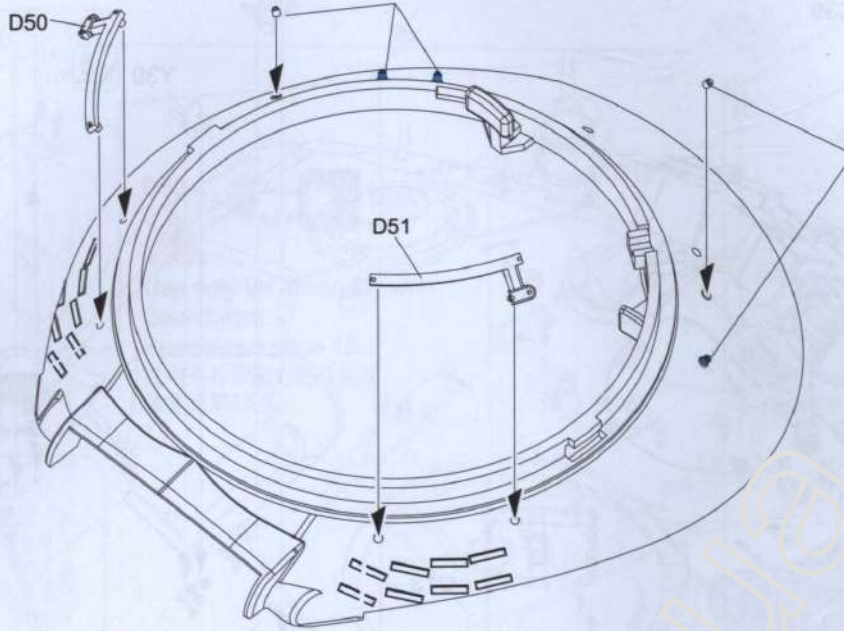




**STEP 27**

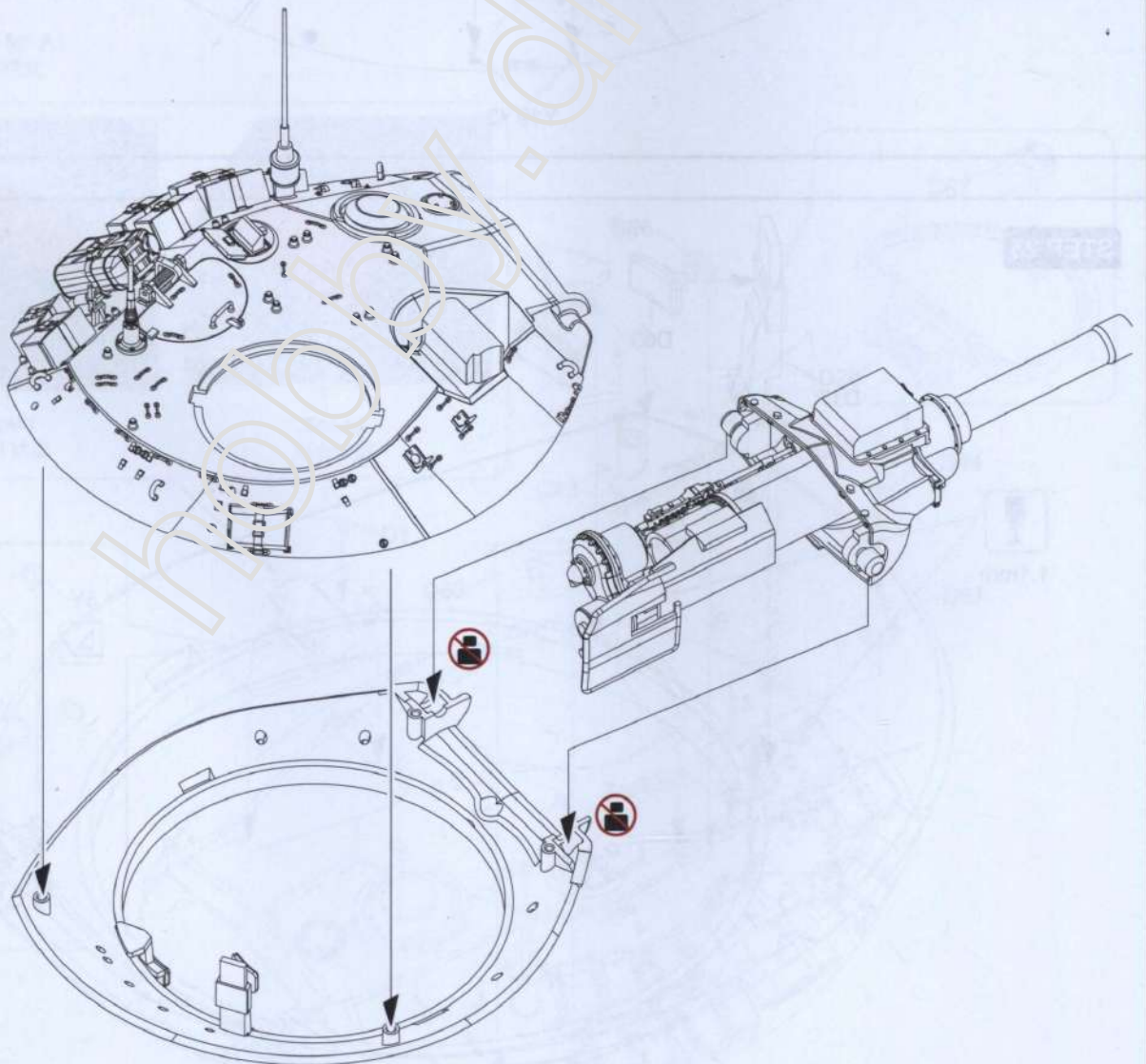


Cut out from the sprue C  
从C版胶道上获取



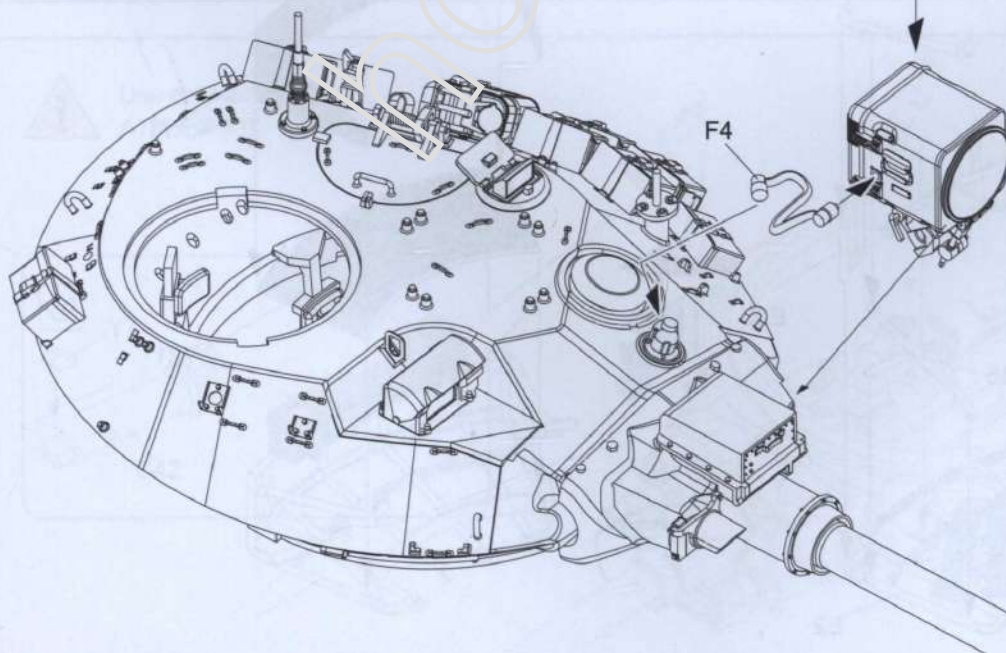
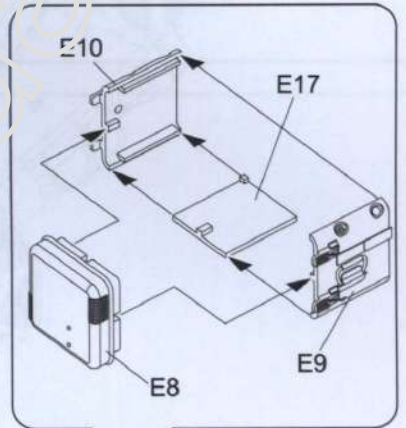
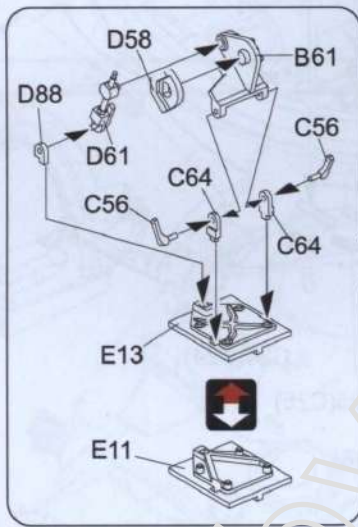
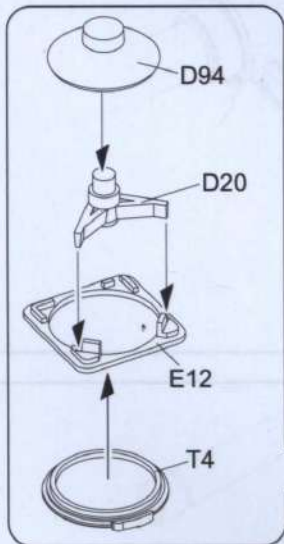
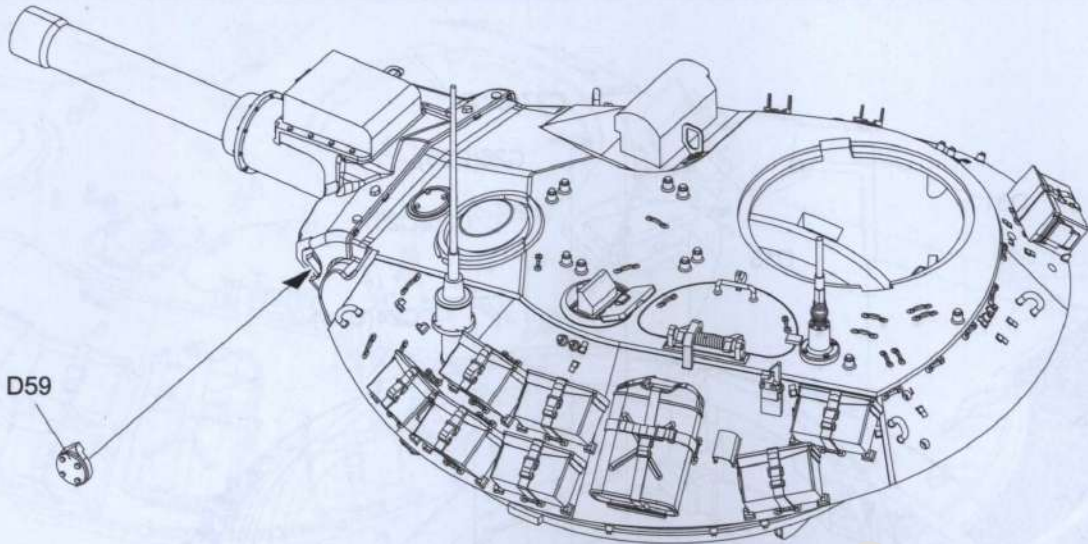
Cut out from the sprue C  
从C版胶道上获取

**STEP 28**





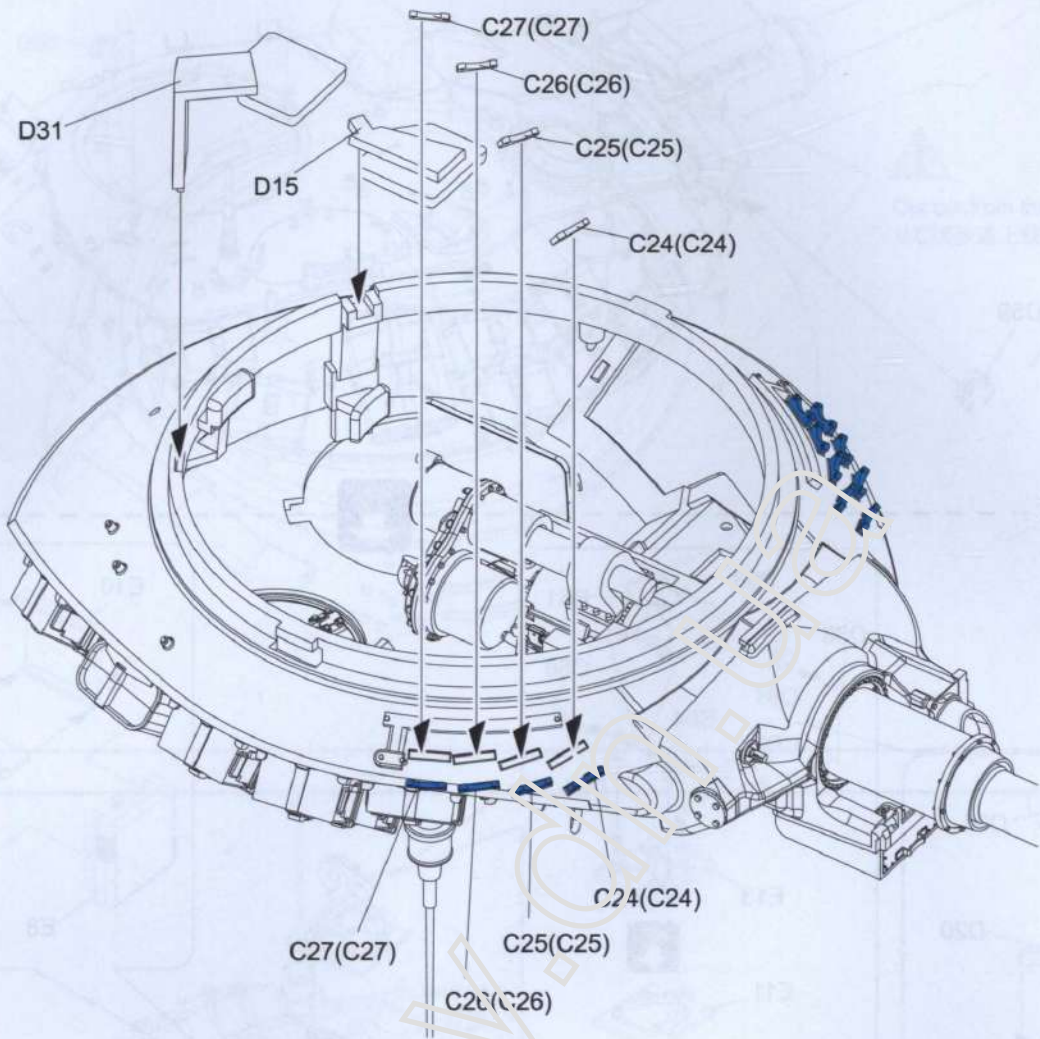
STEP 29



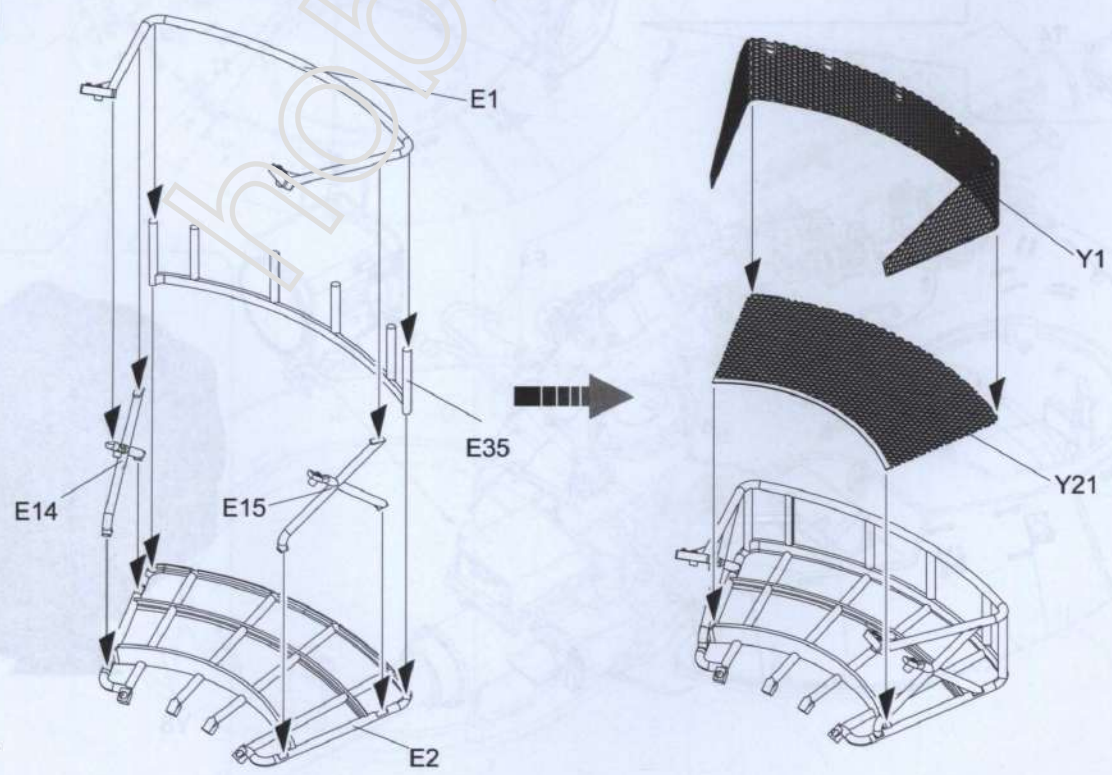


STEP 30

85 9878

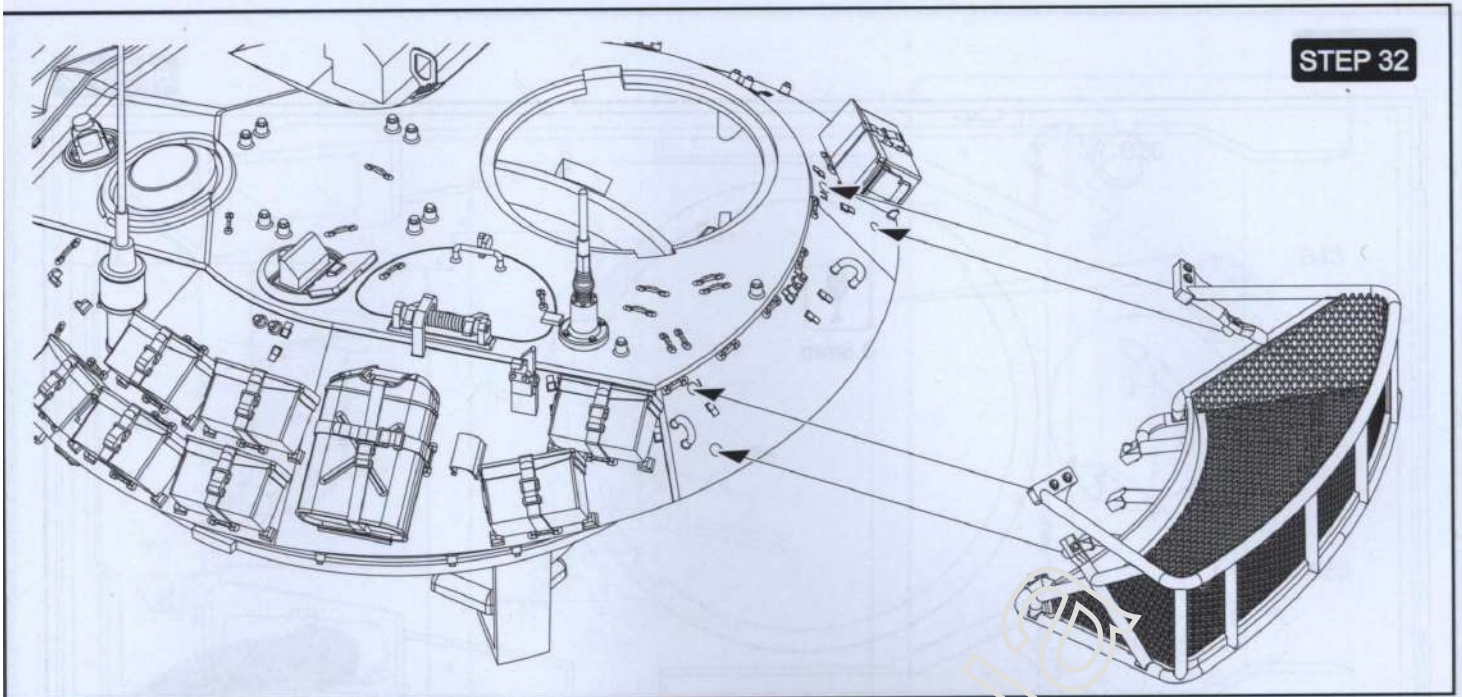


STEP 31

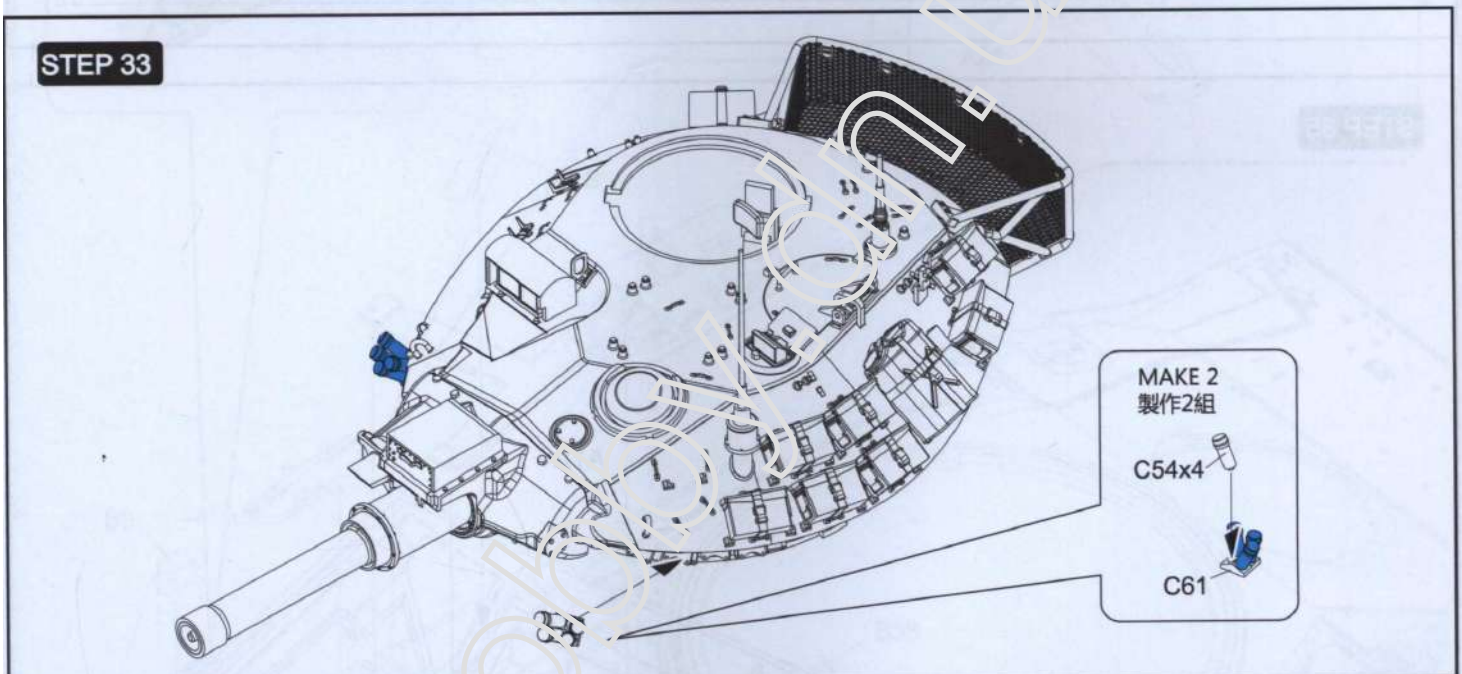




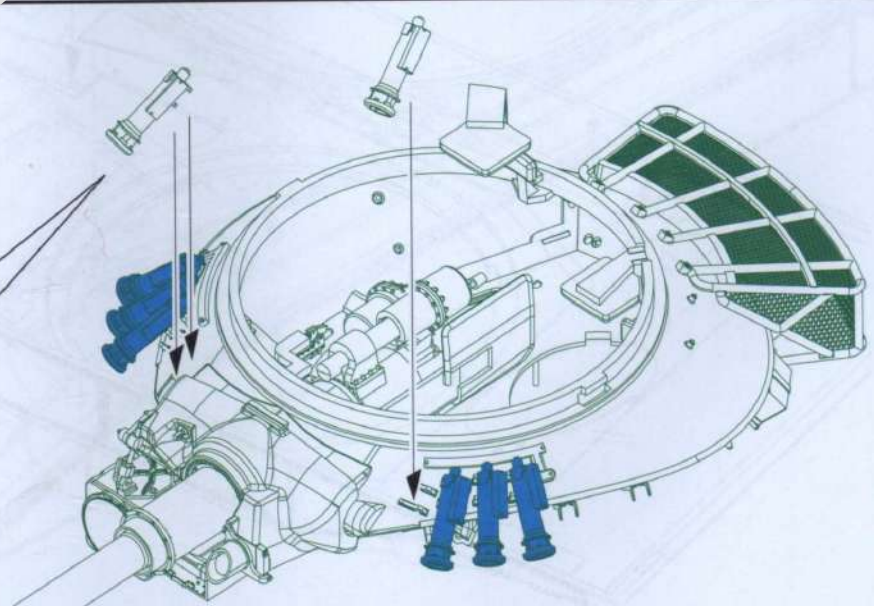
STEP 32



STEP 33

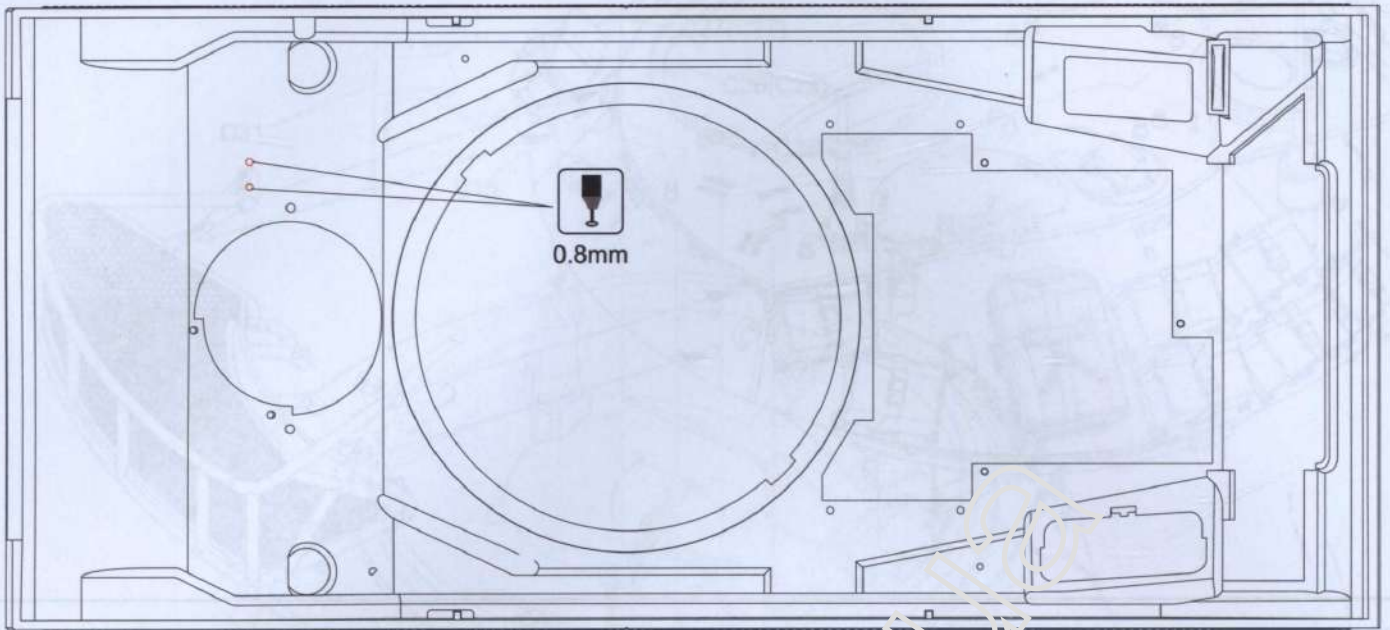


Use only for A1  
A1型安装样式

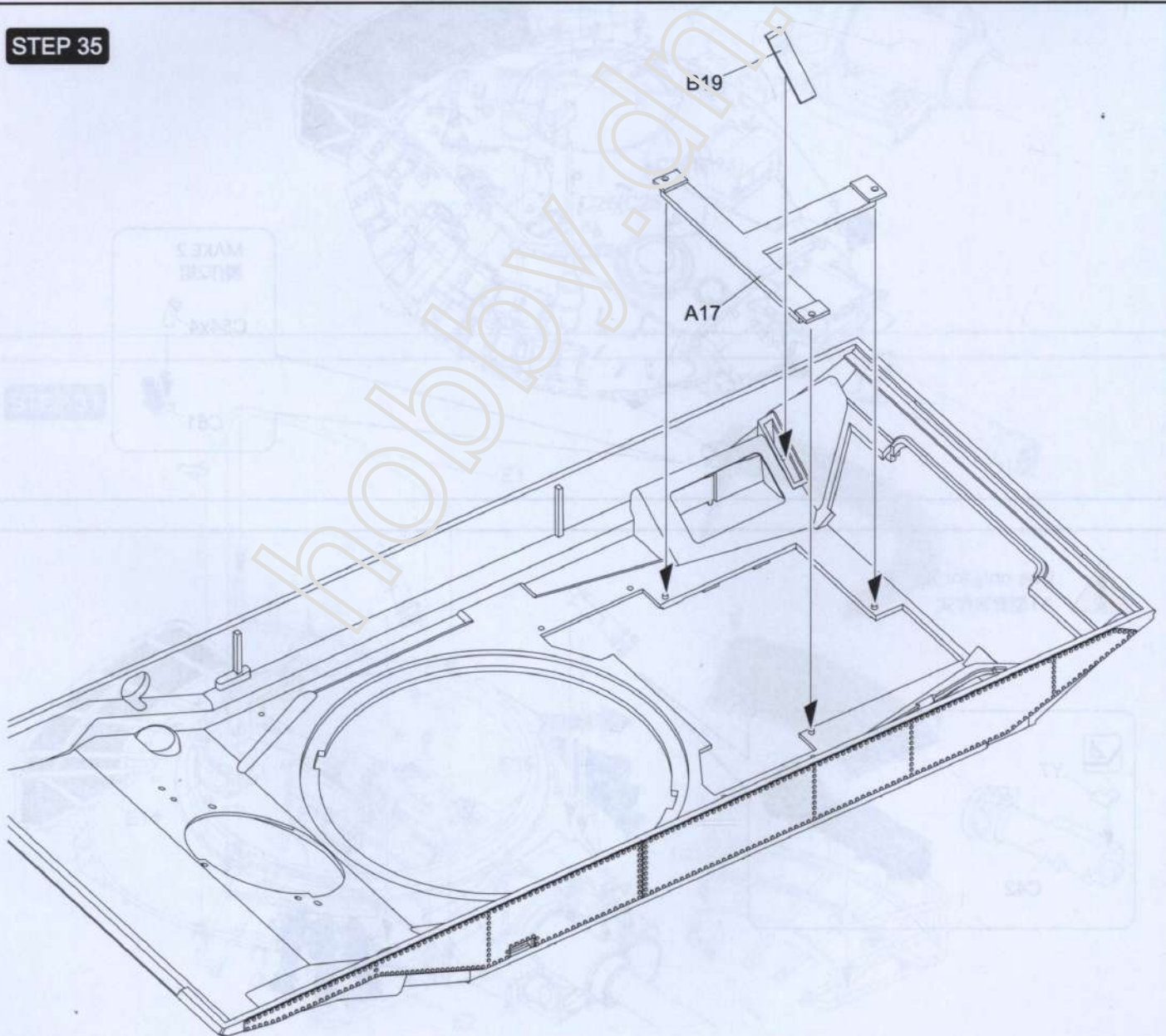




STEP 34

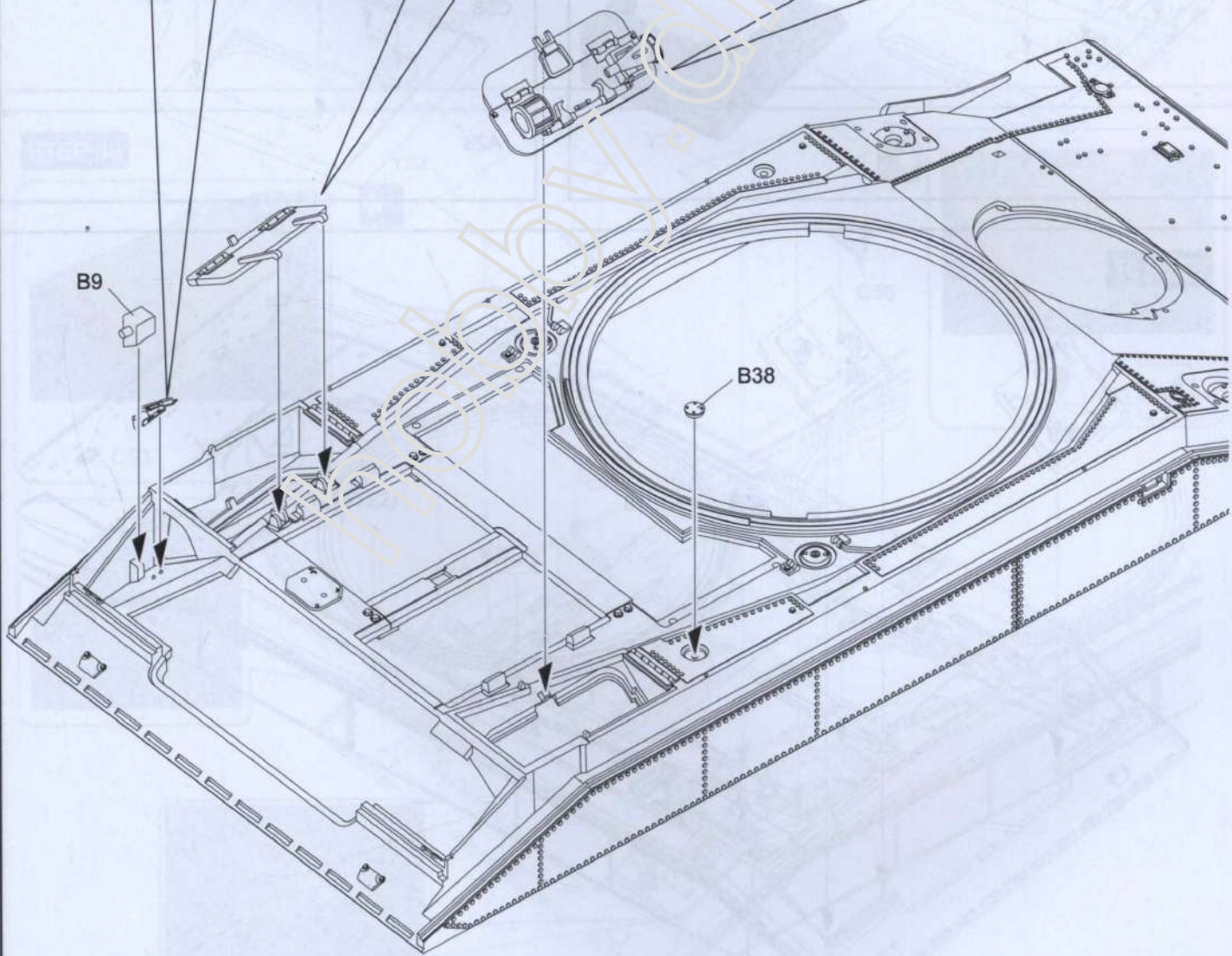
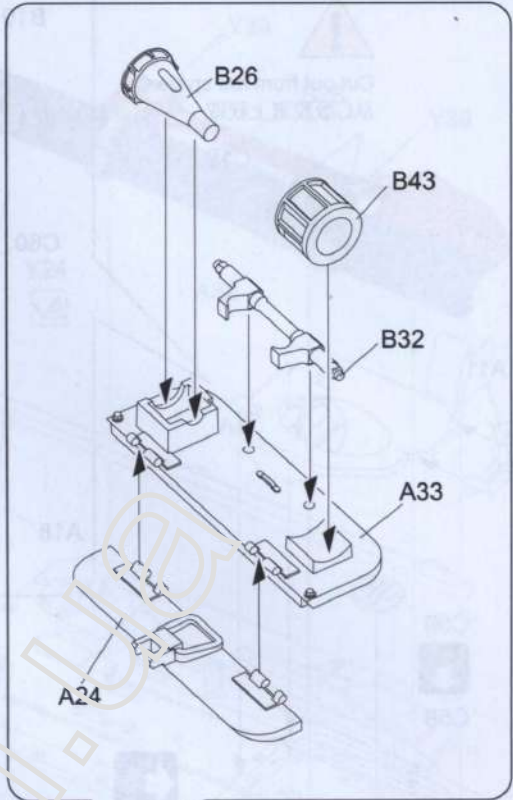
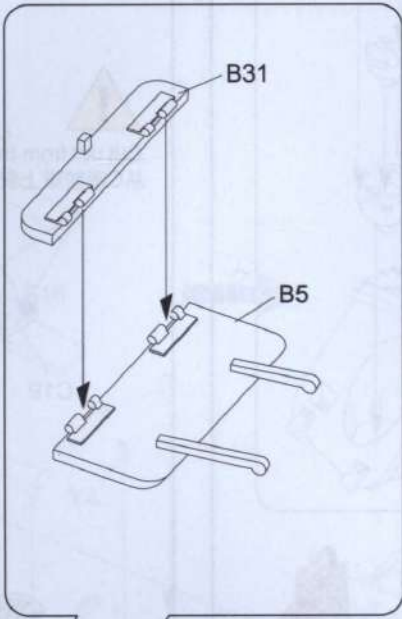


STEP 35

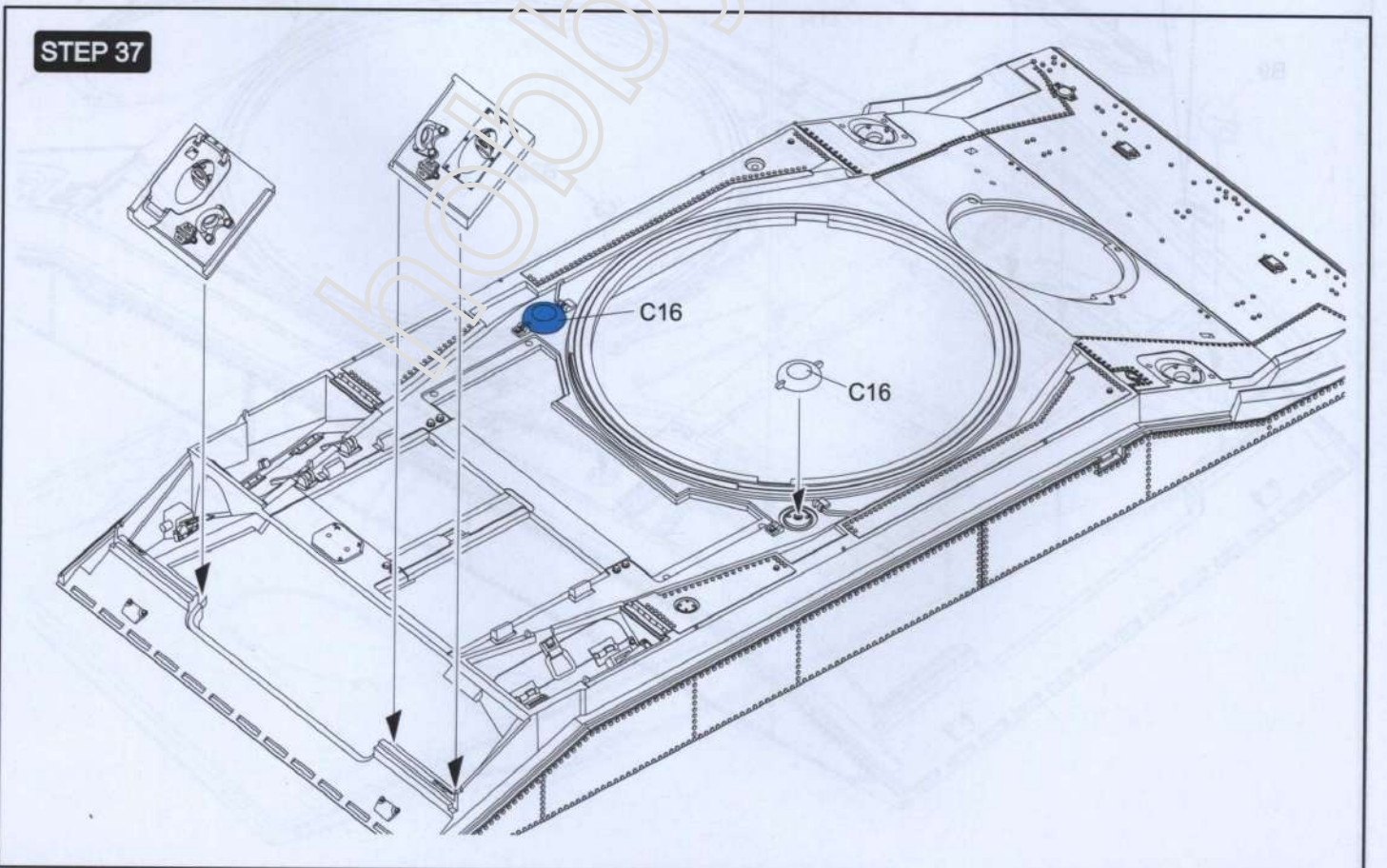
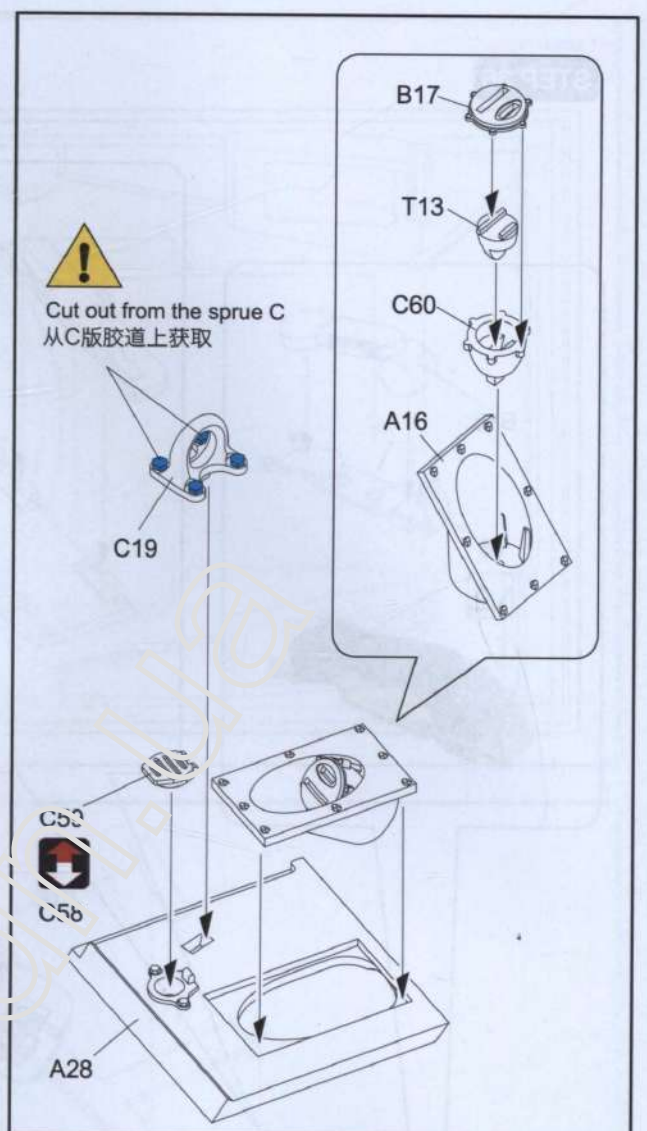
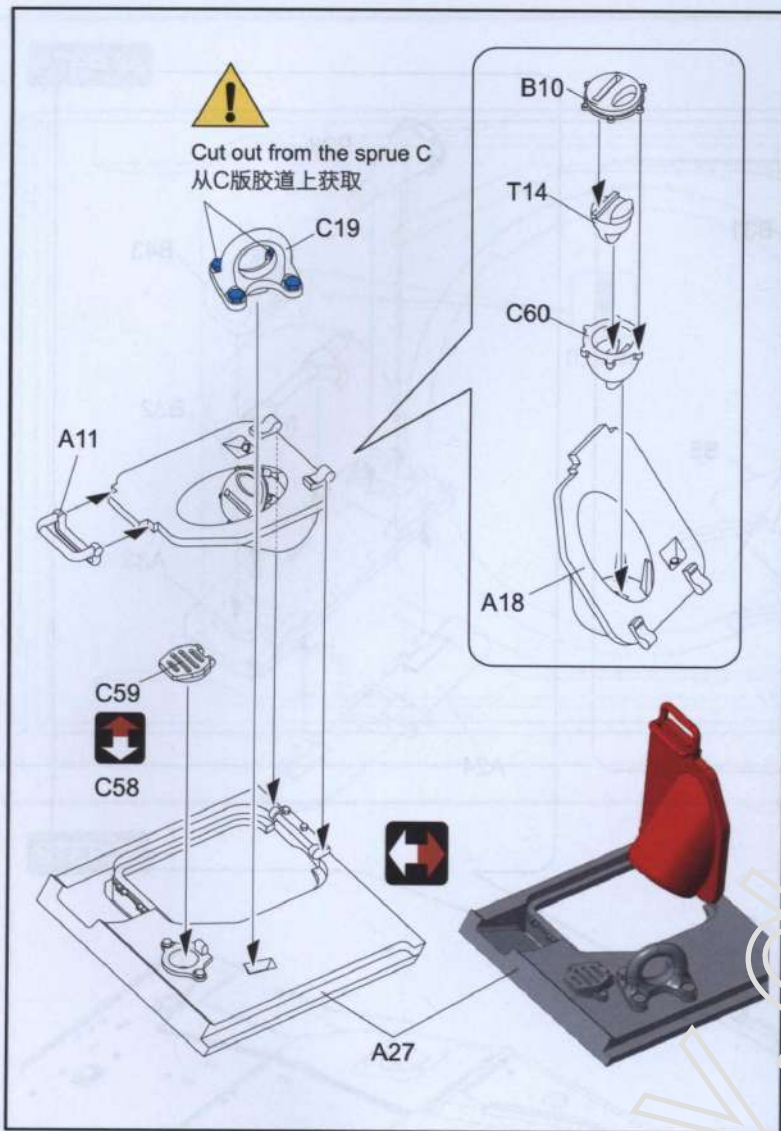




STEP 36

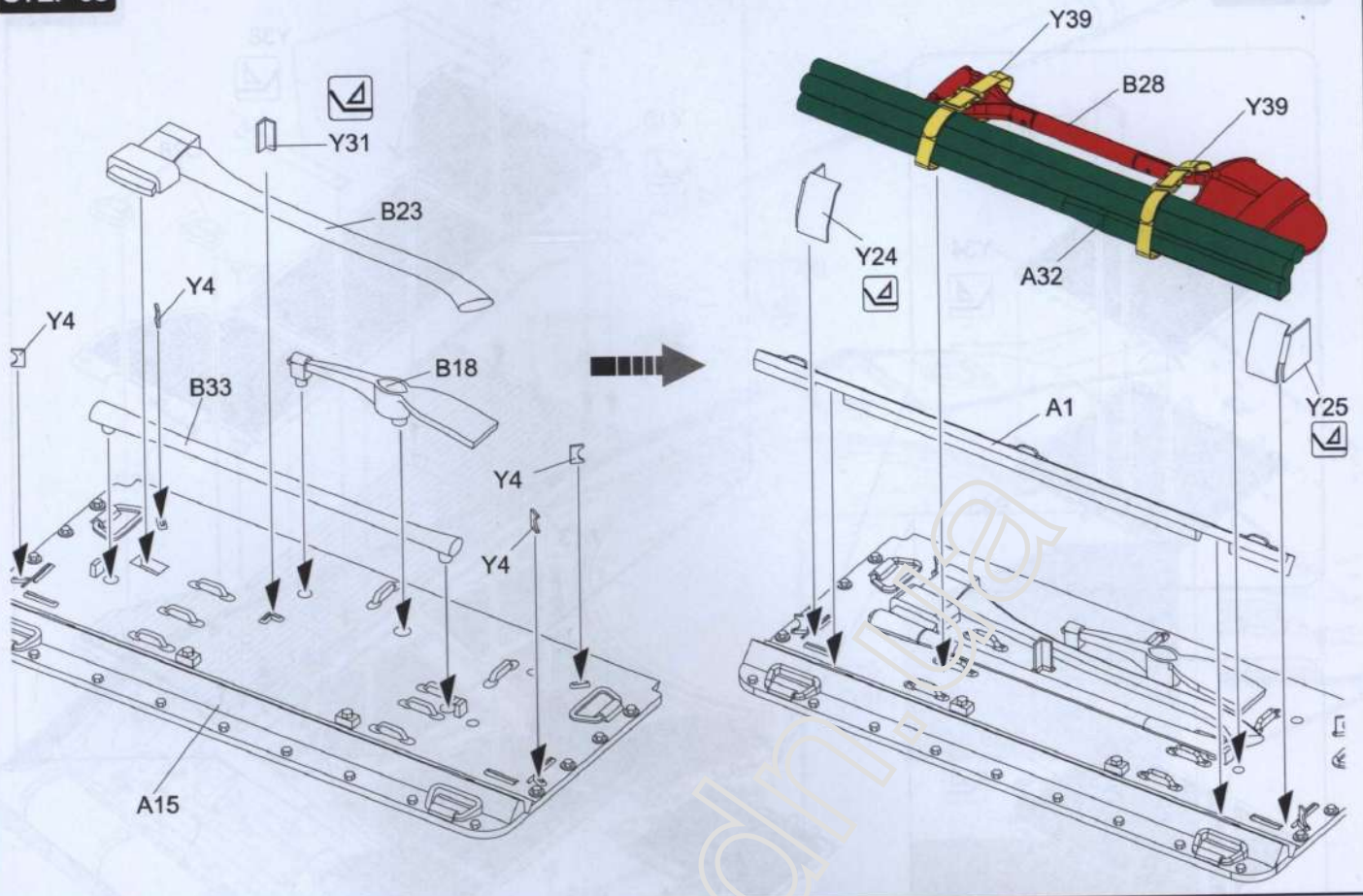




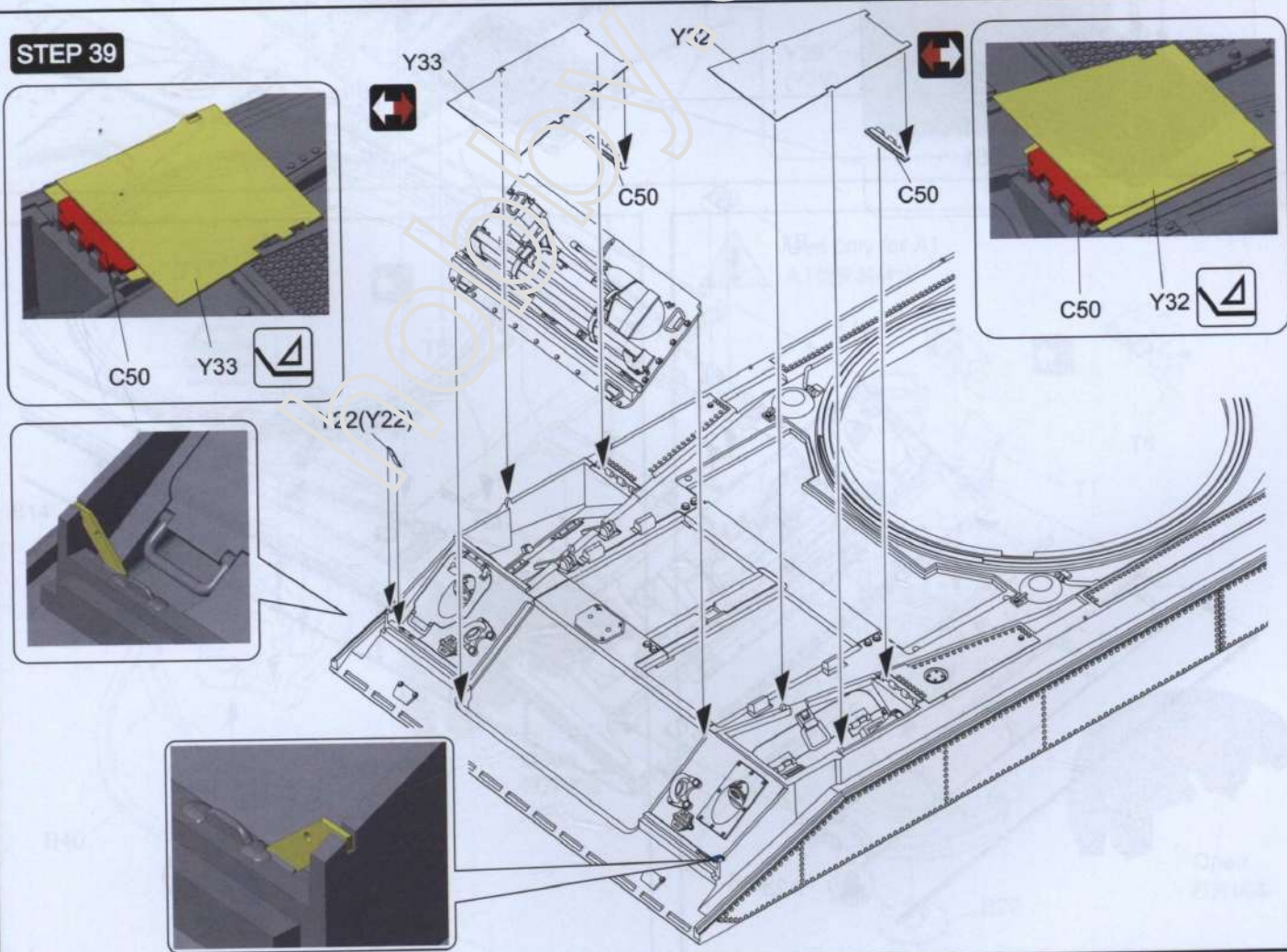




**STEP 38**

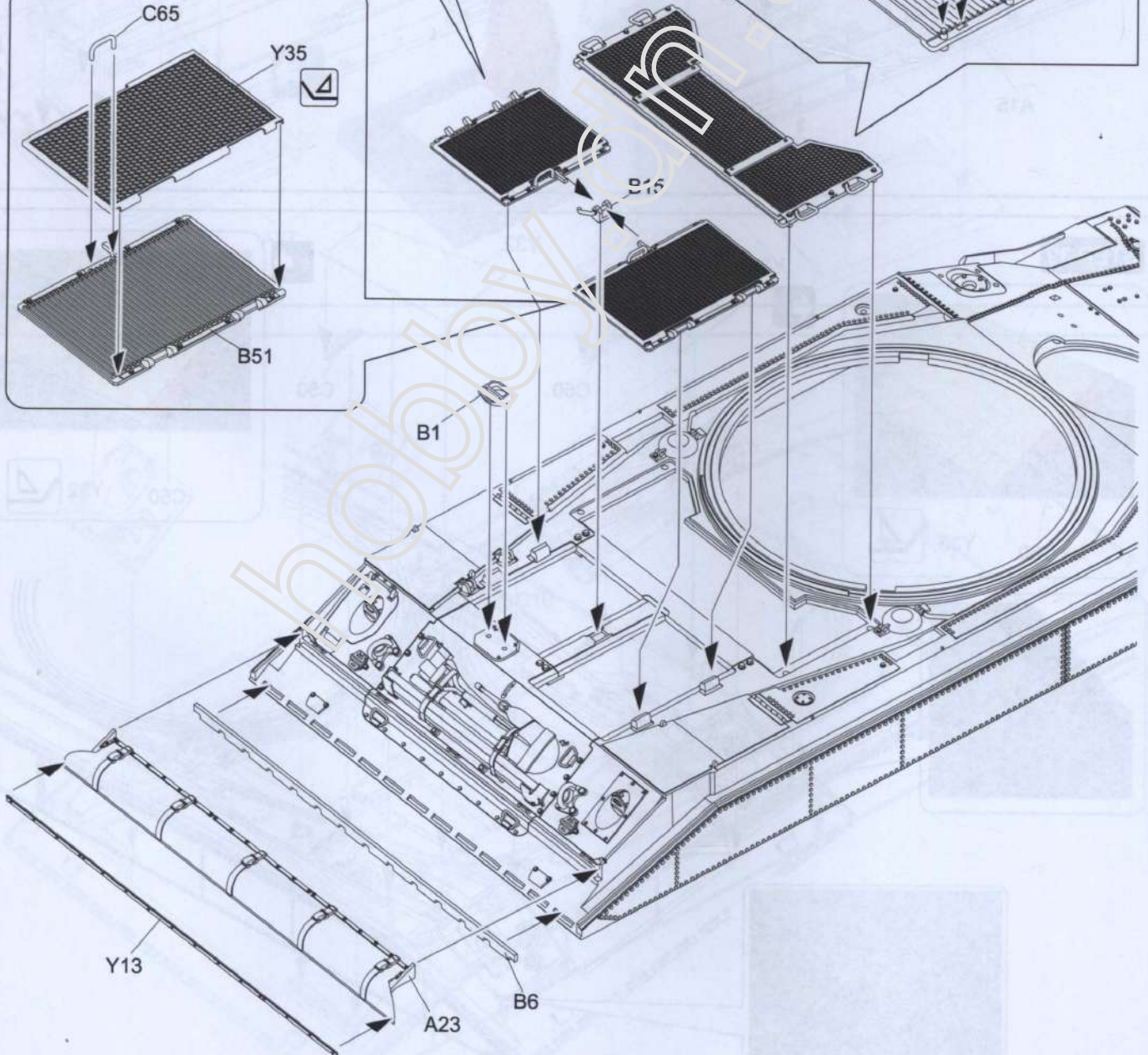
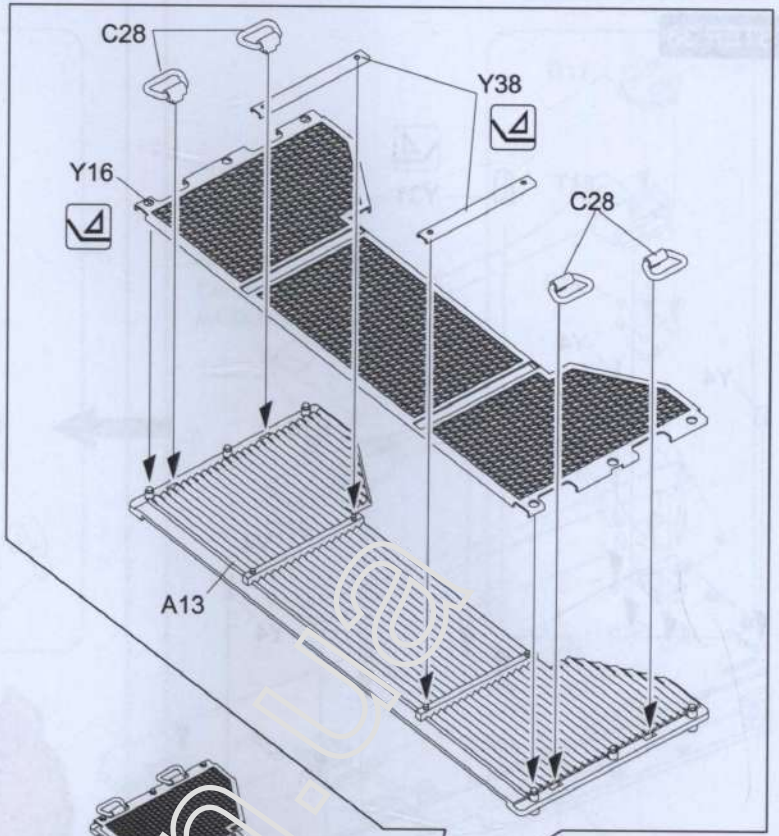
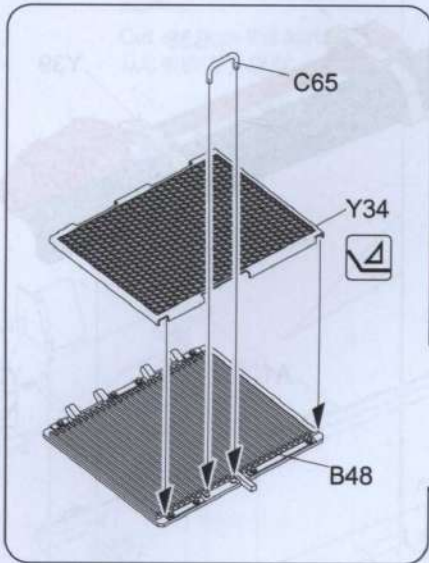


**STEP 39**



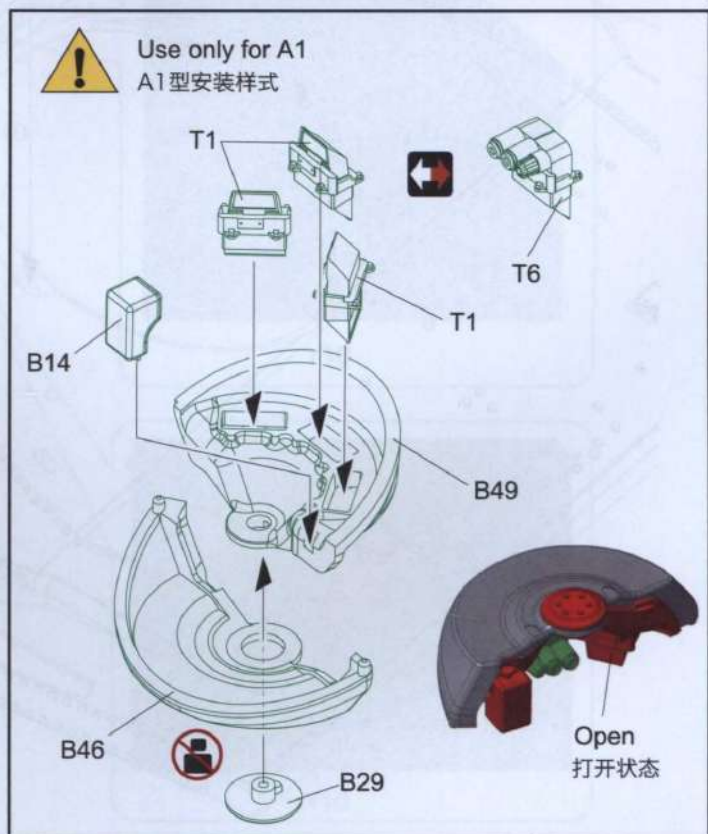
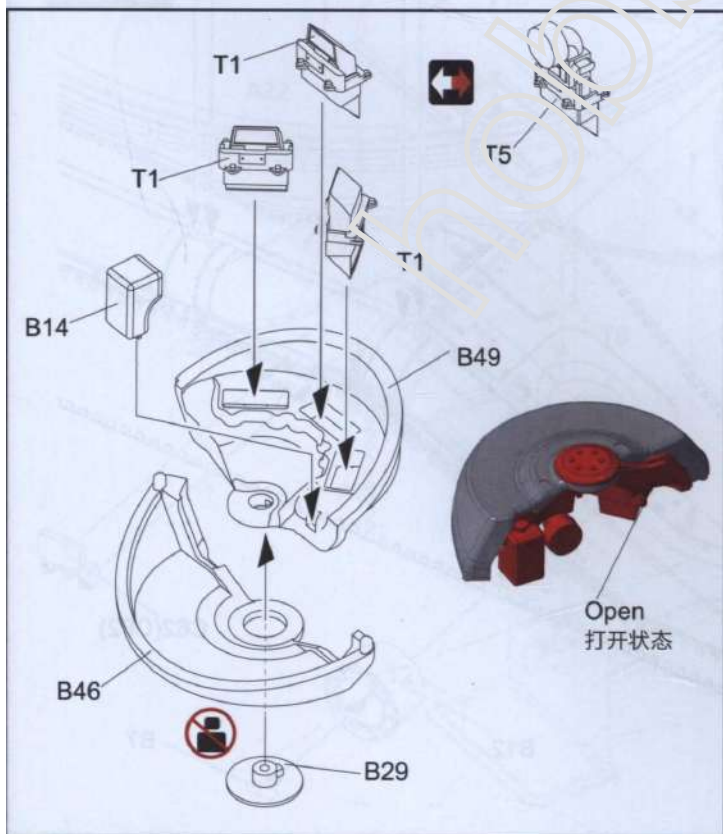
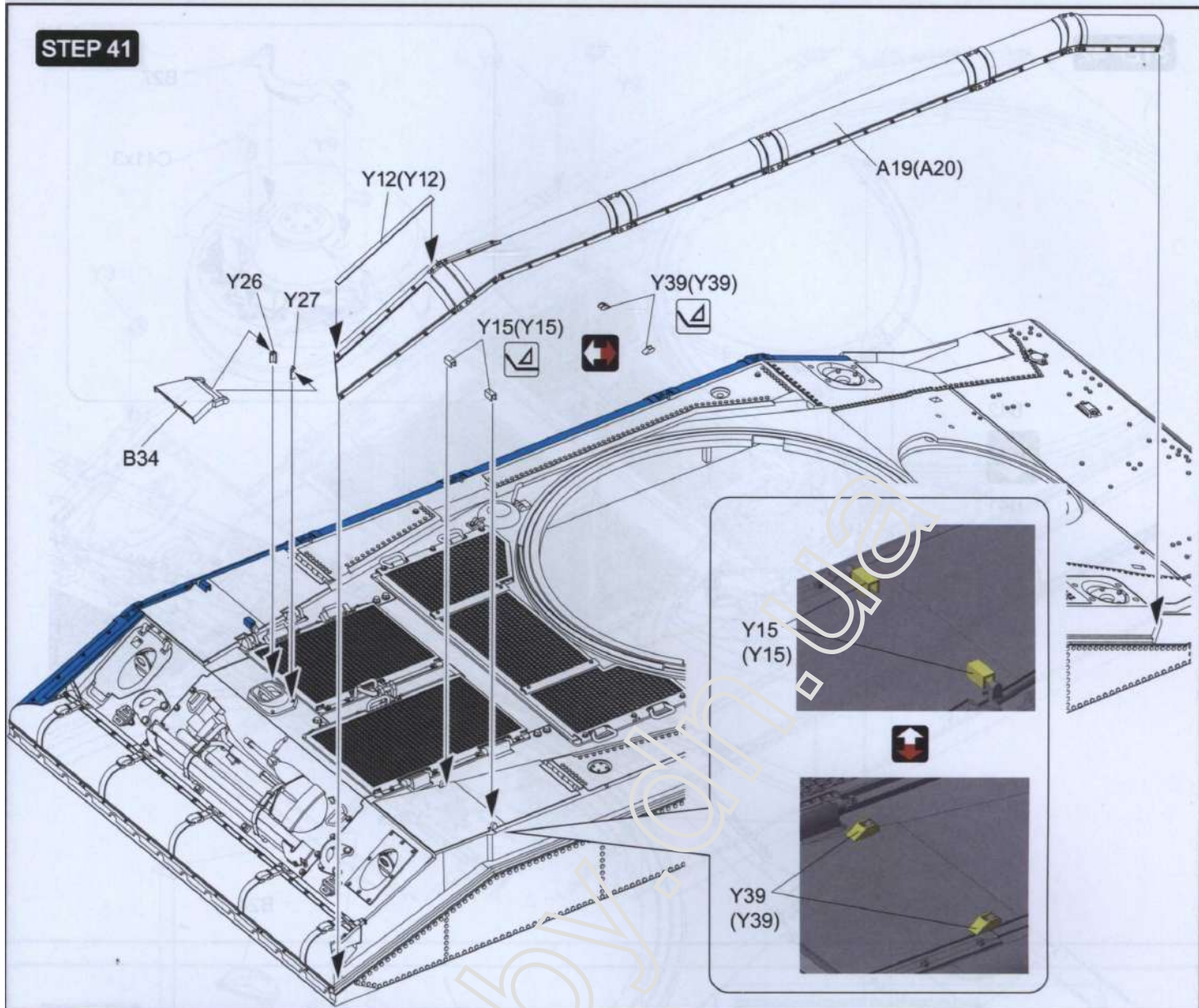


**STEP 40**



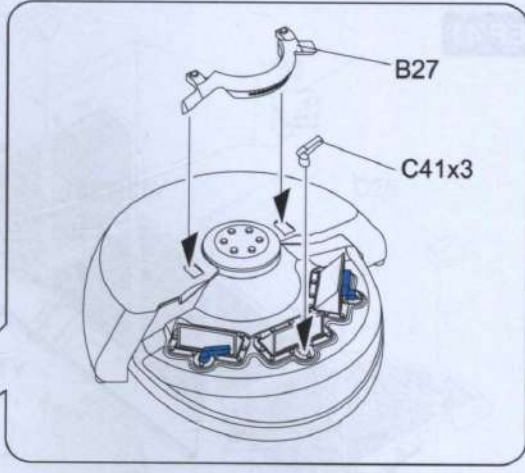


**STEP 41**

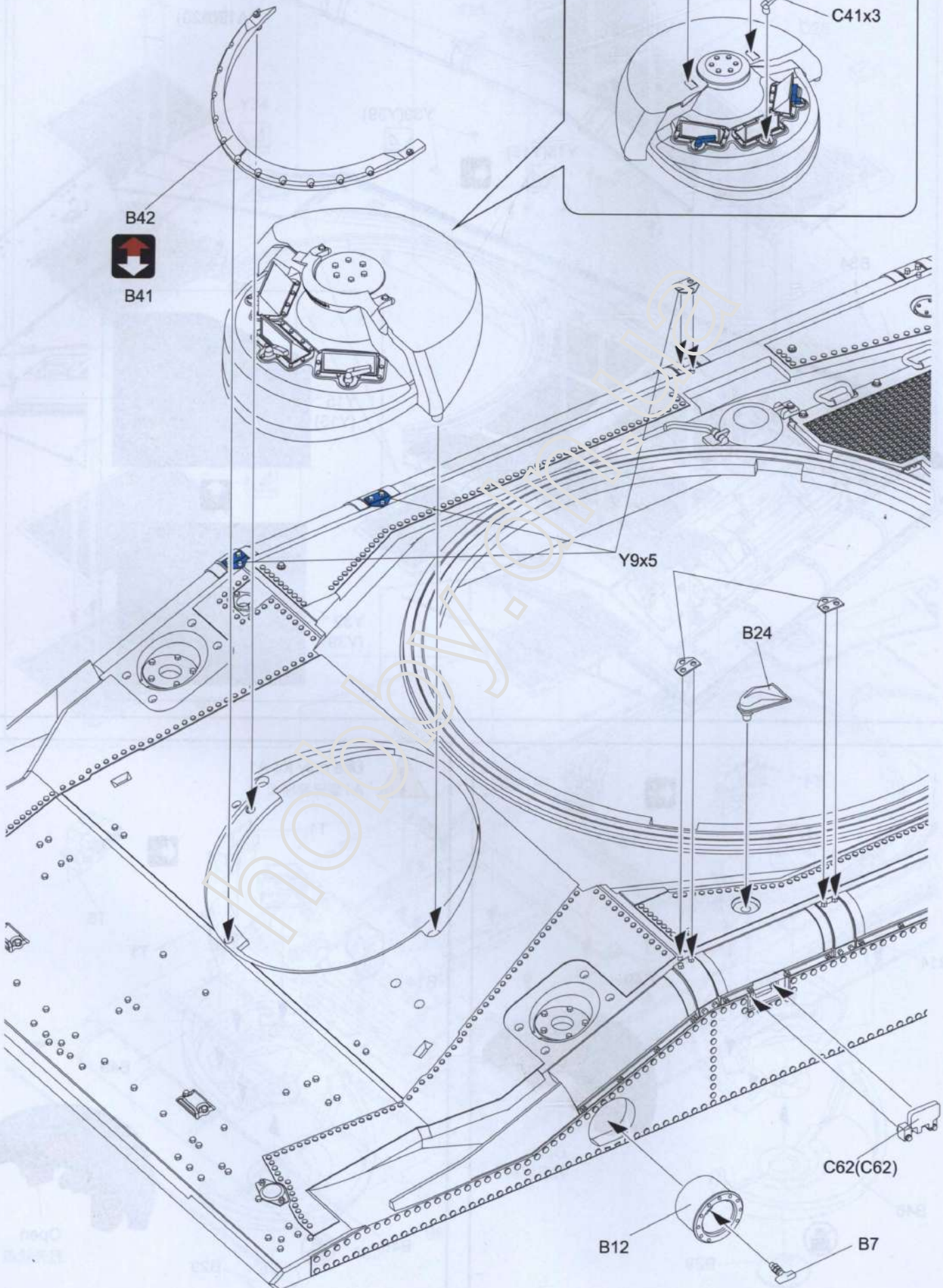




STEP 42

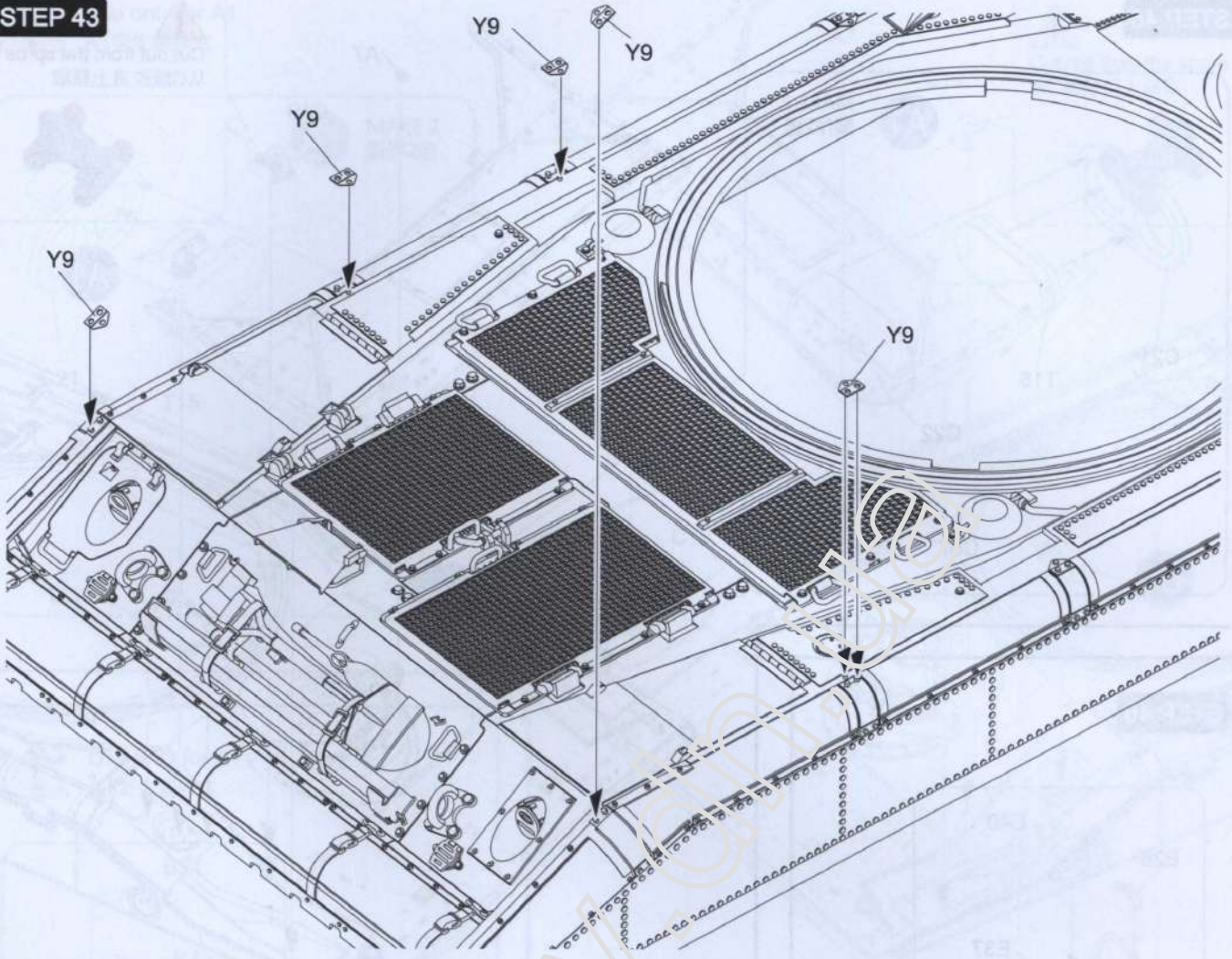


B42  
B41

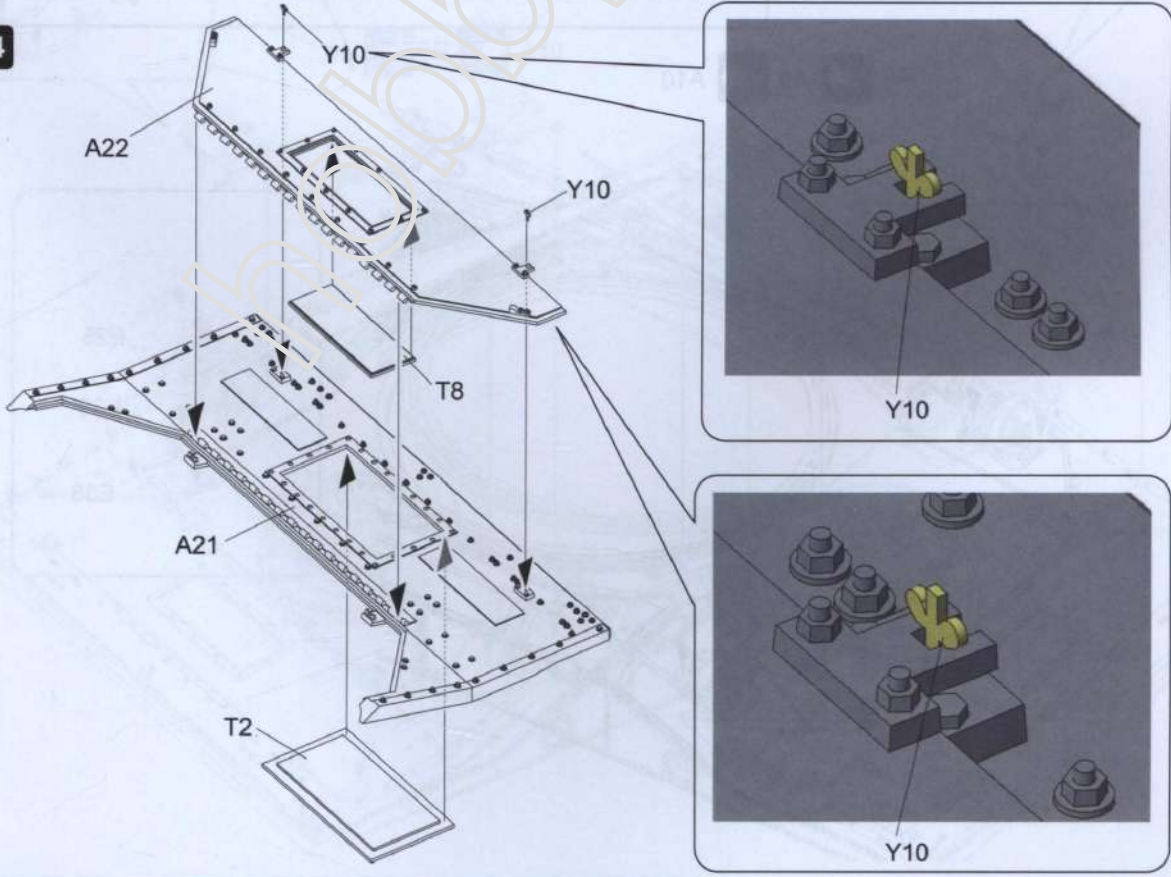




**STEP 43**

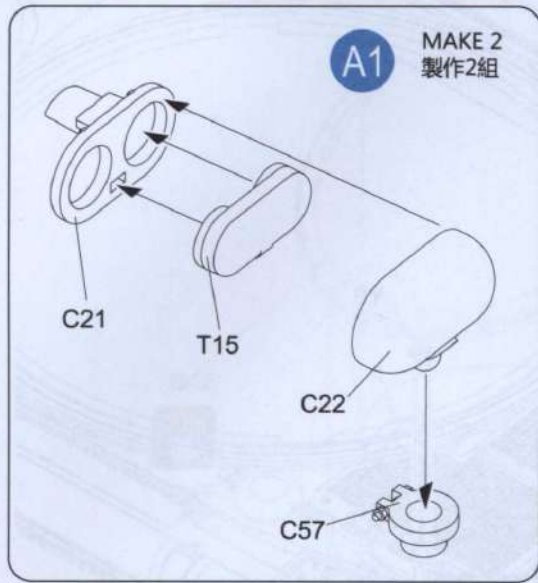


**STEP 44**

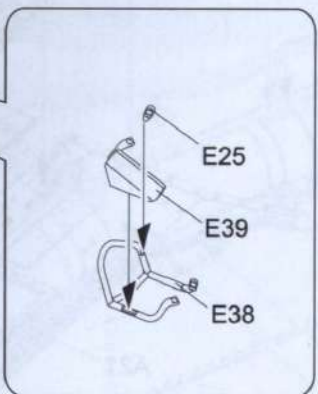
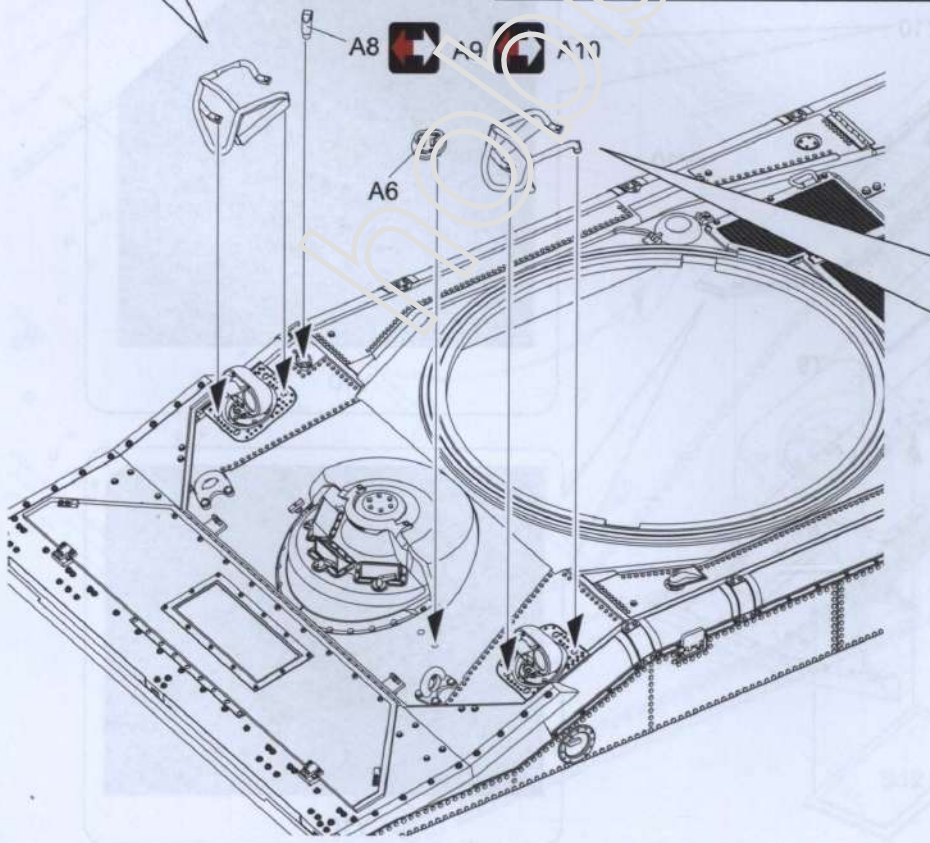
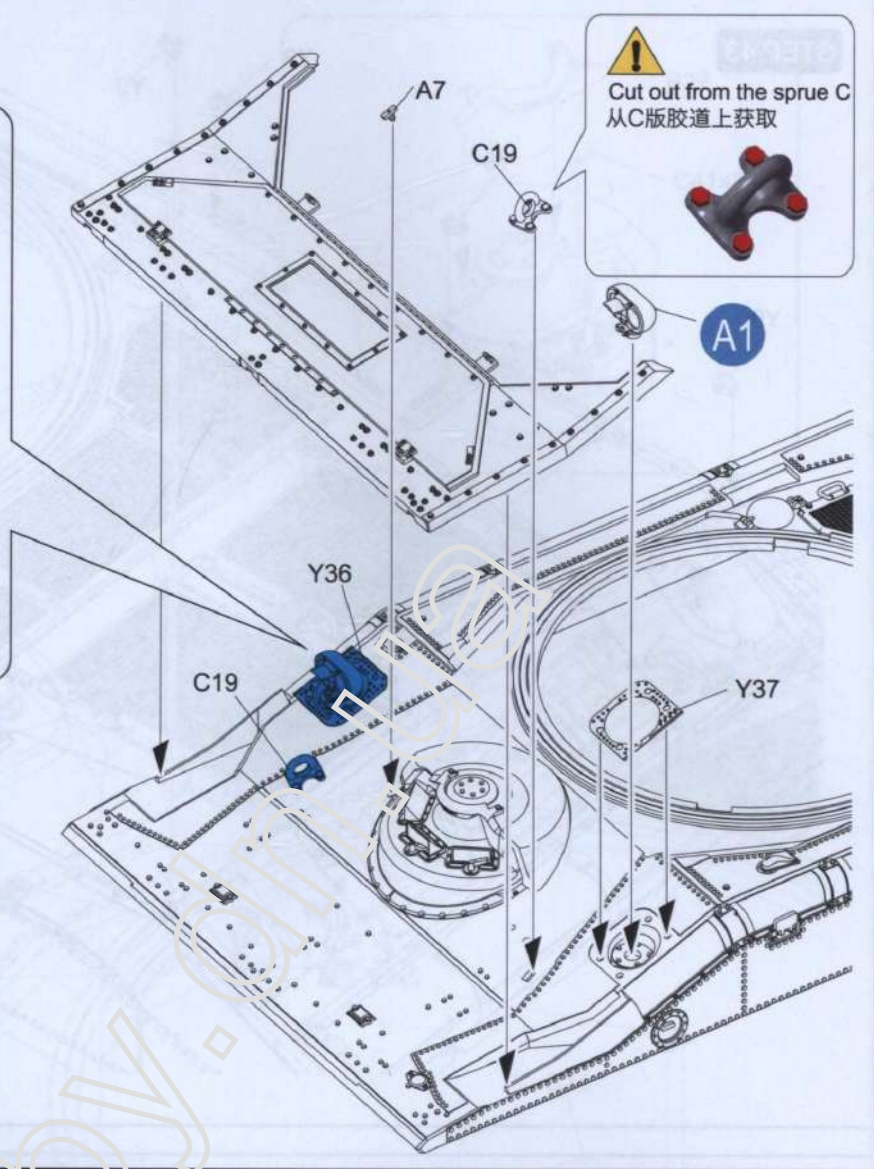
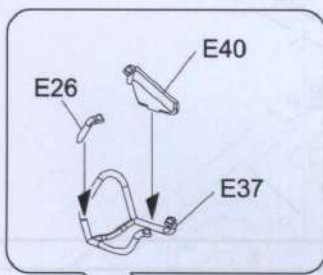




STEP 45



STEP 46

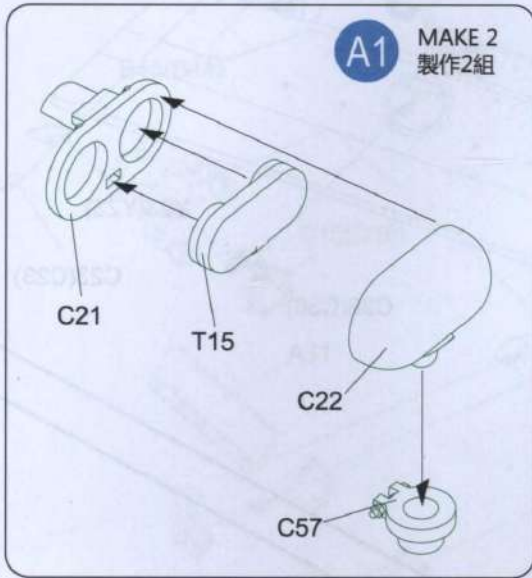




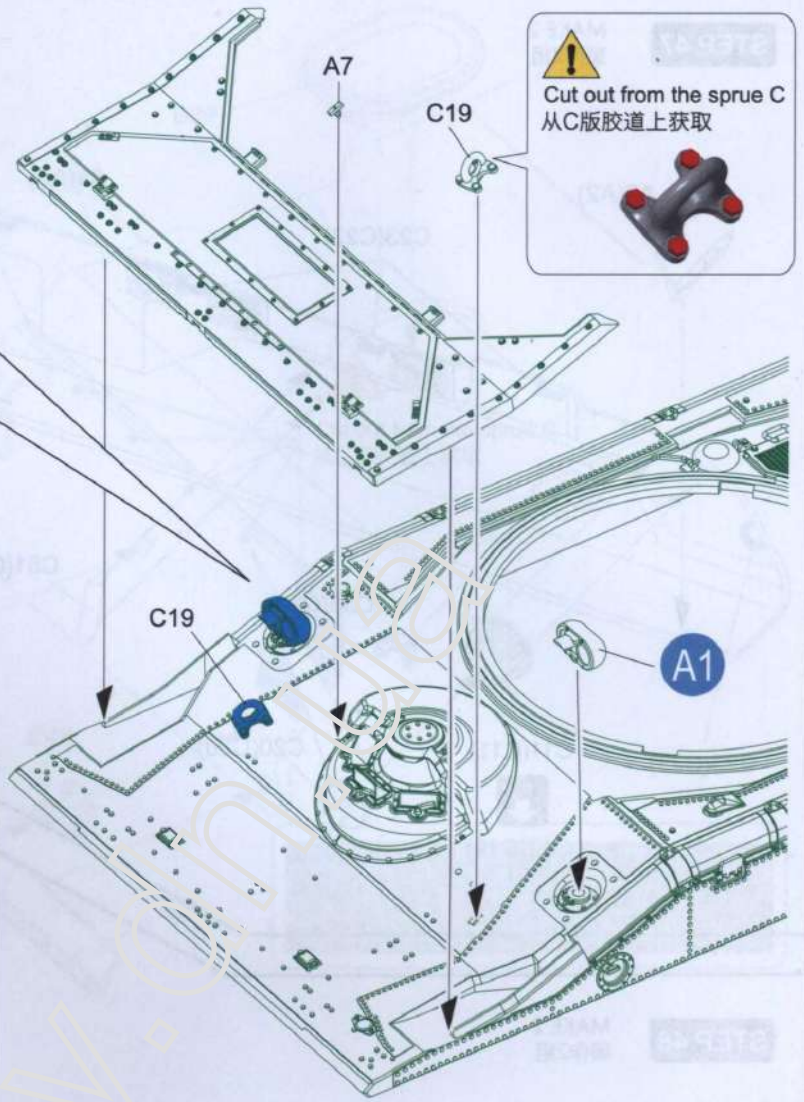


Use only for A1  
A1型安装样式

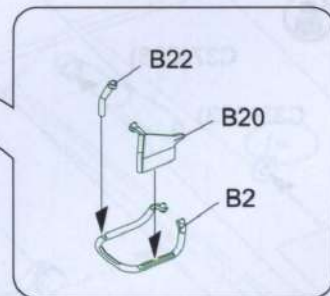
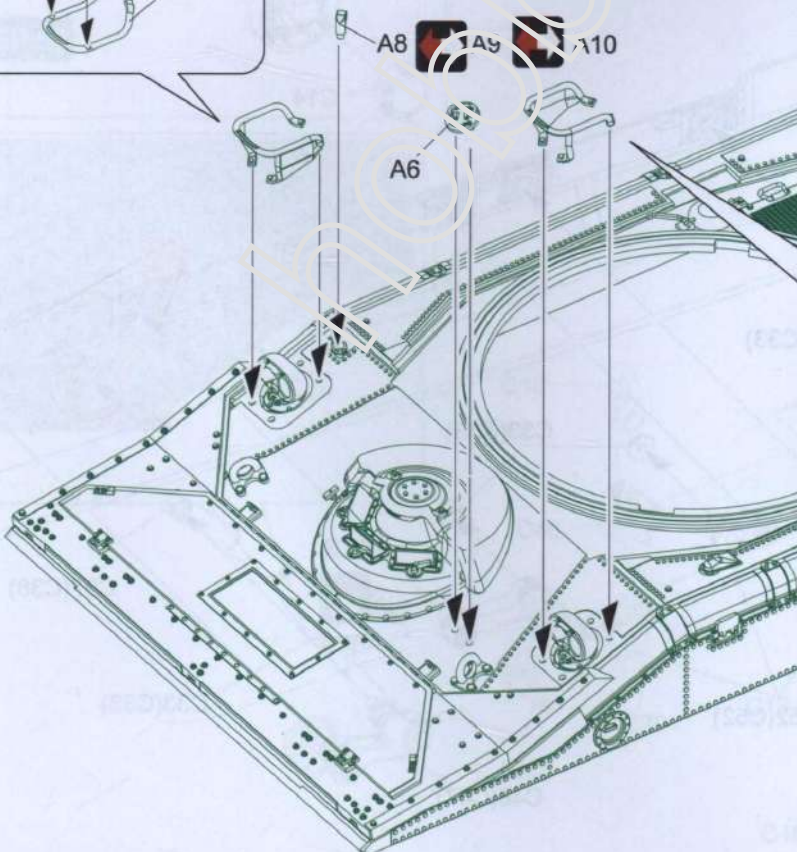
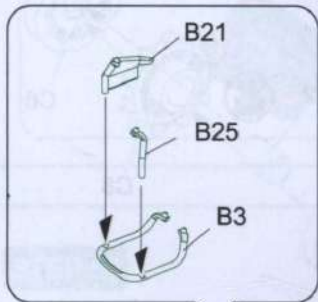
**A1** MAKE 2  
製作2組



Cut out from the sprue C  
从C版胶道上获取



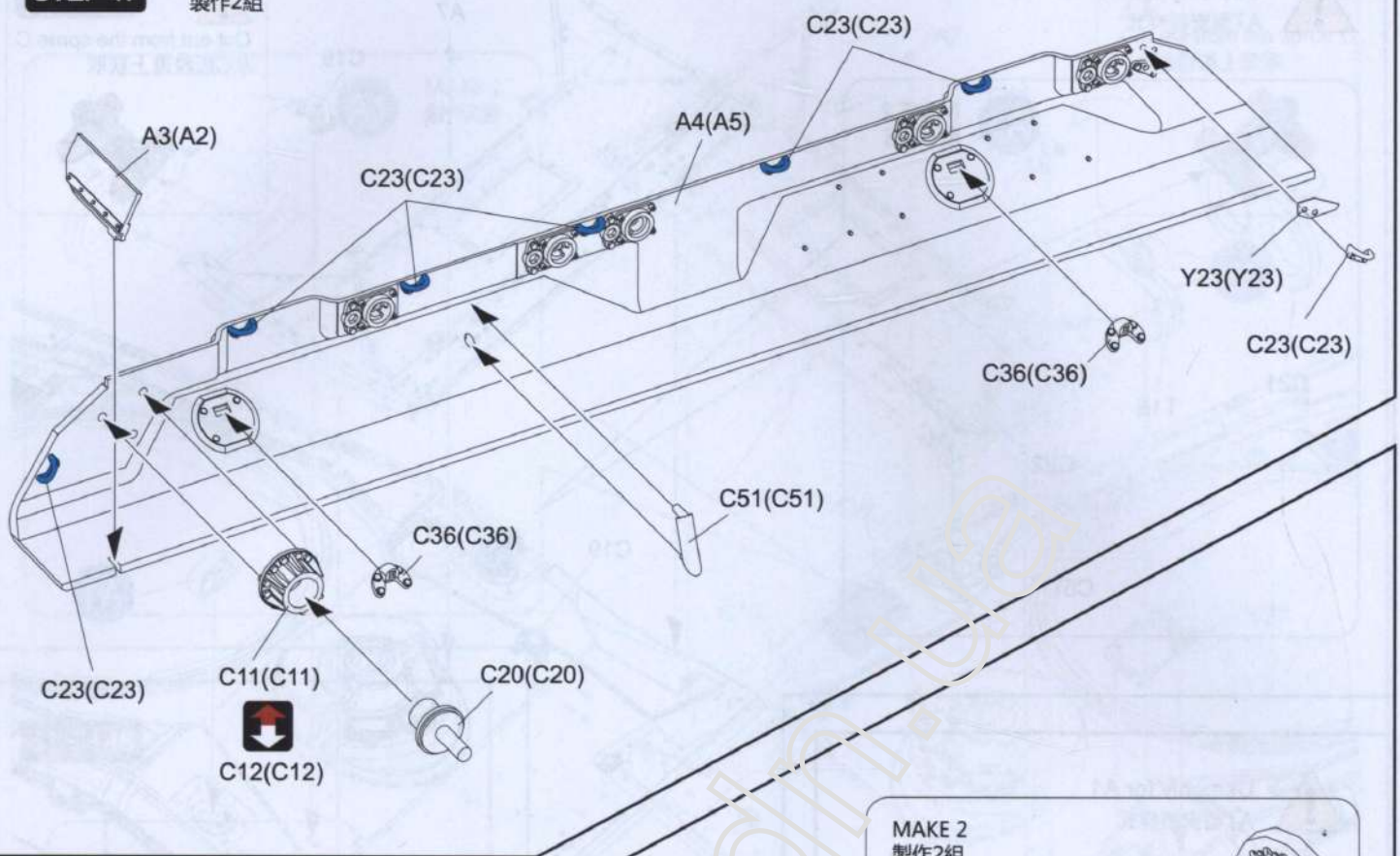
Use only for A1  
A1型安装样式





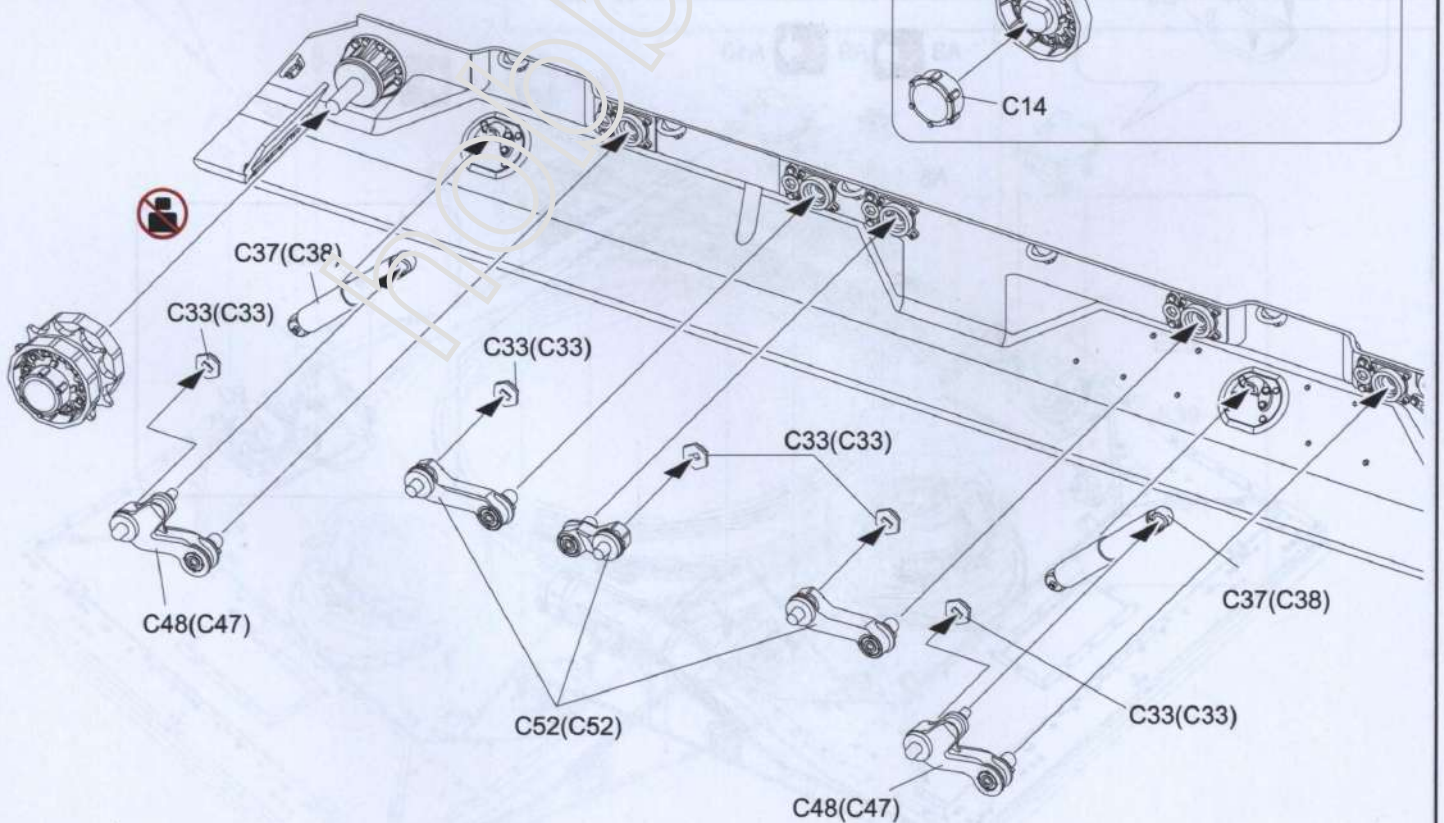
**STEP 47**

MAKE 2  
製作2組



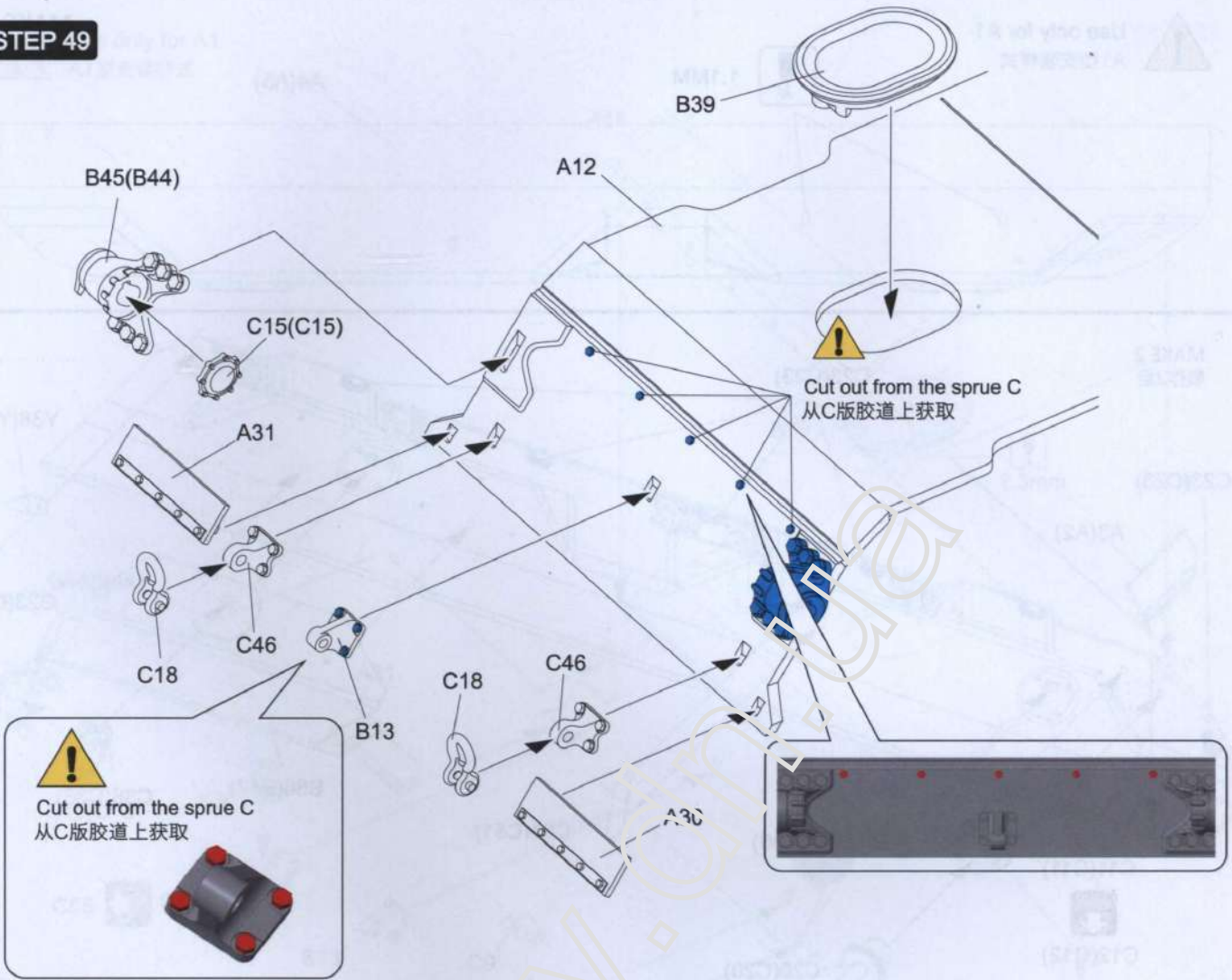
**STEP 48**

MAKE 2  
製作2組

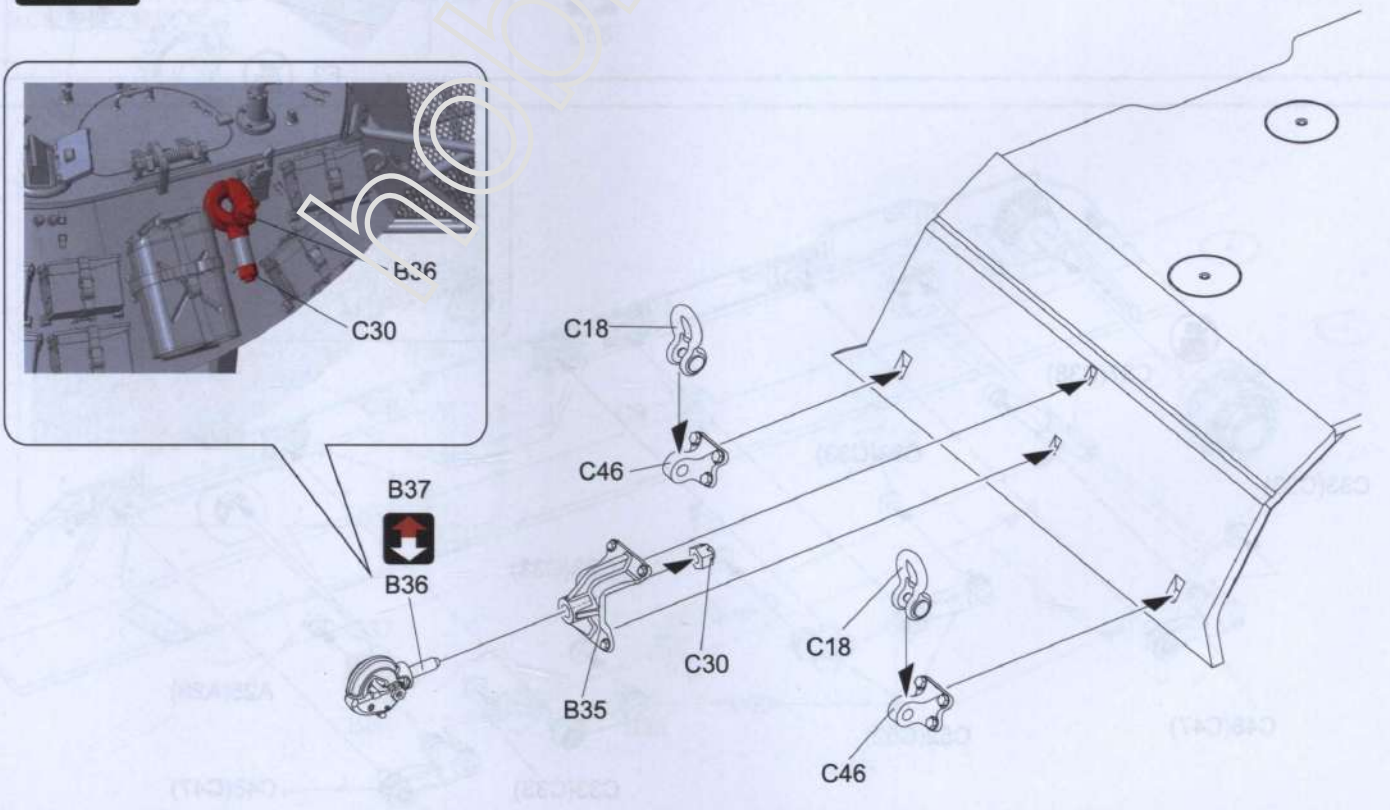




**STEP 49**



**STEP 50**







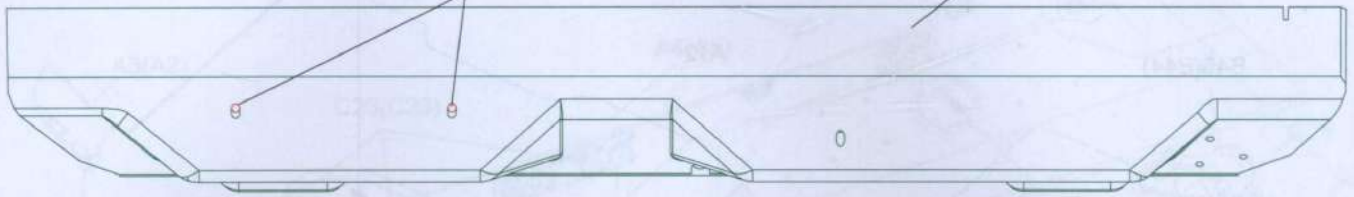
Use only for A1  
A1型安裝樣式

MAKE 2  
製作2組



1.1MM

A4(A5)



MAKE 2  
製作2組

C23(C23)

C23(C23)

A3(A2)

Y38(Y38)

C23(C23)

B50(B47)

C36(C36)

C51(C51)

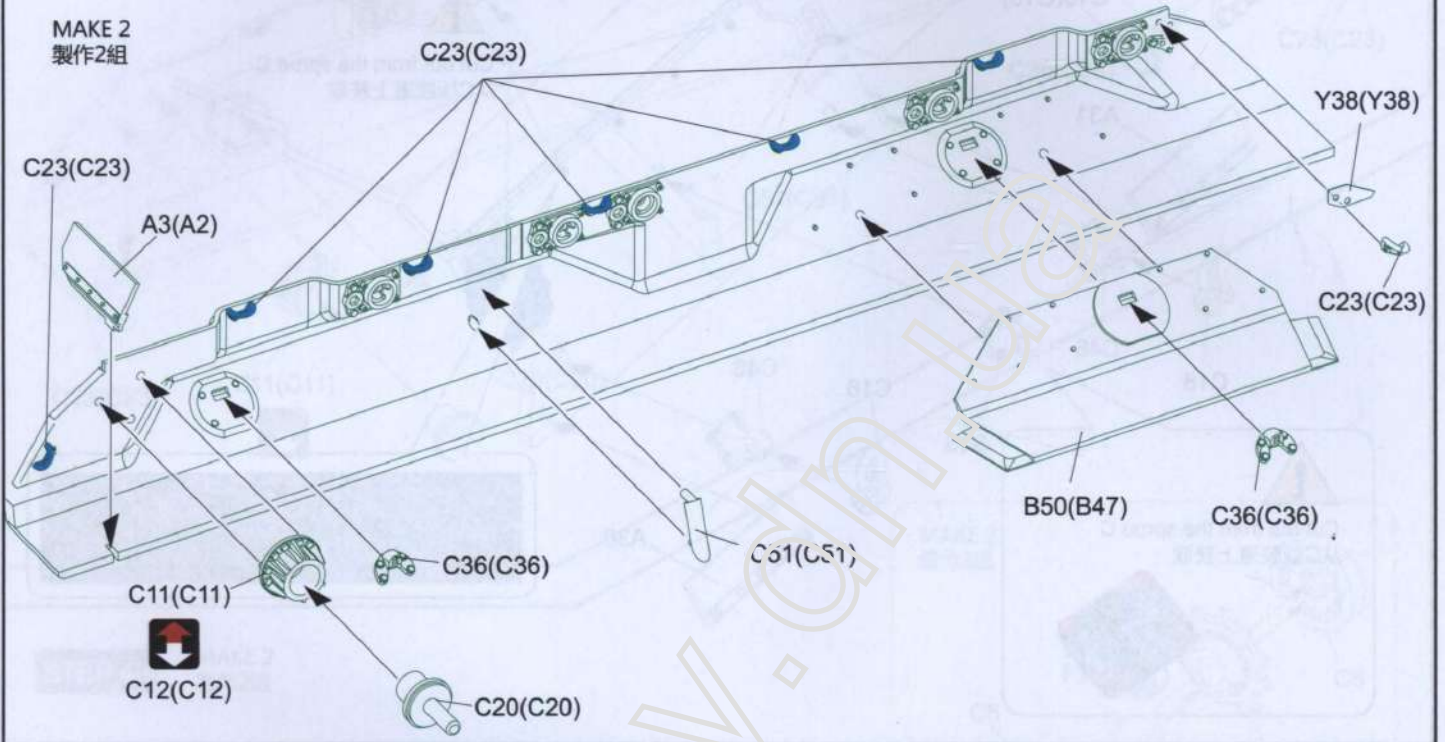
C11(C11)



C12(C12)

C36(C36)

C20(C20)



MAKE 2  
製作2組

MAKE 2  
製作2組

C5

F2

C8

C14

C33(C33)

C37(C38)

C33(C33)

C33(C33)

C33(C33)

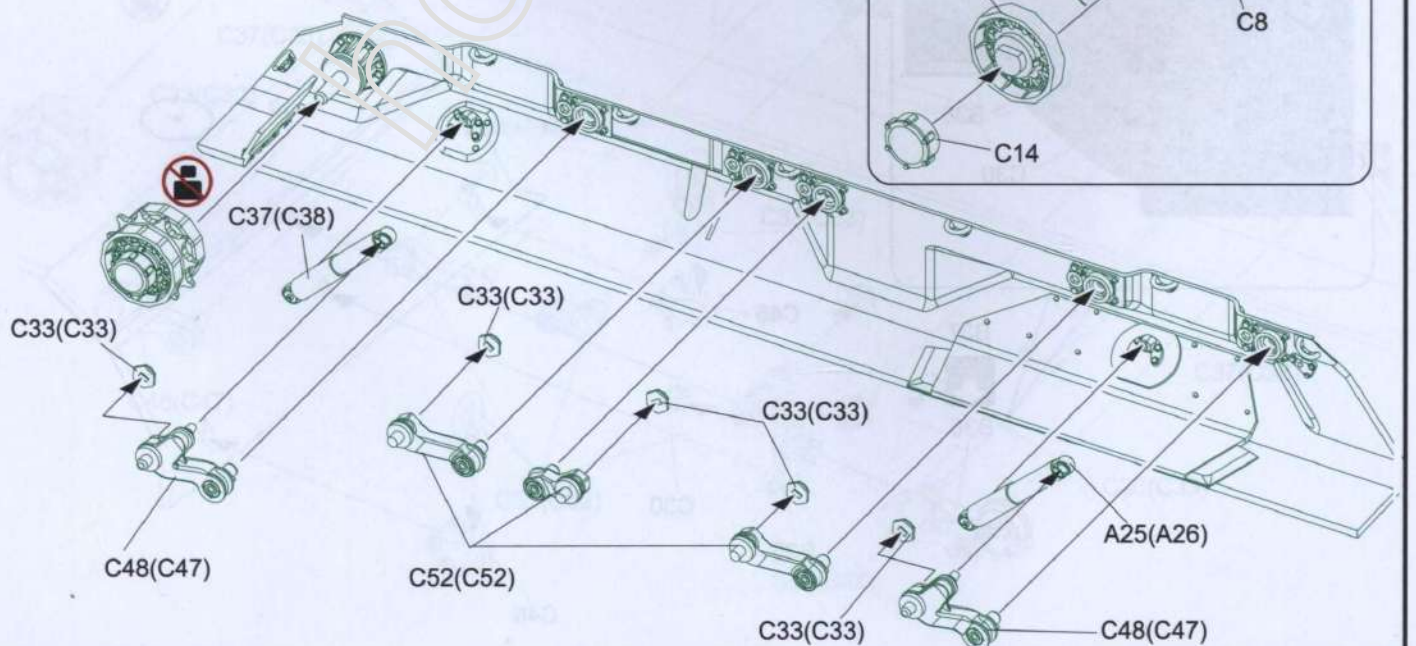
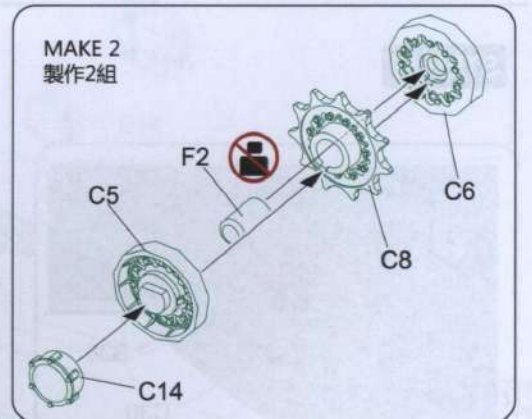
A25(A26)

C48(C47)

C52(C52)

C33(C33)

C48(C47)







Use only for A1  
A1型安装样式

Step 61

A14

B39

1.3mm

1.3mm

A12

1.3mm

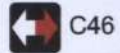
B45(B44)

A31

C15(C15)

C9

C55



C46

B13

C9

C46

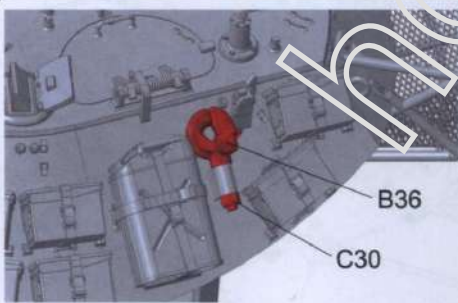
C55

A30



B13

Cut out from the sprue C  
从C版胶道上获取



B36

C30

B37



B36

C9

C55

C9

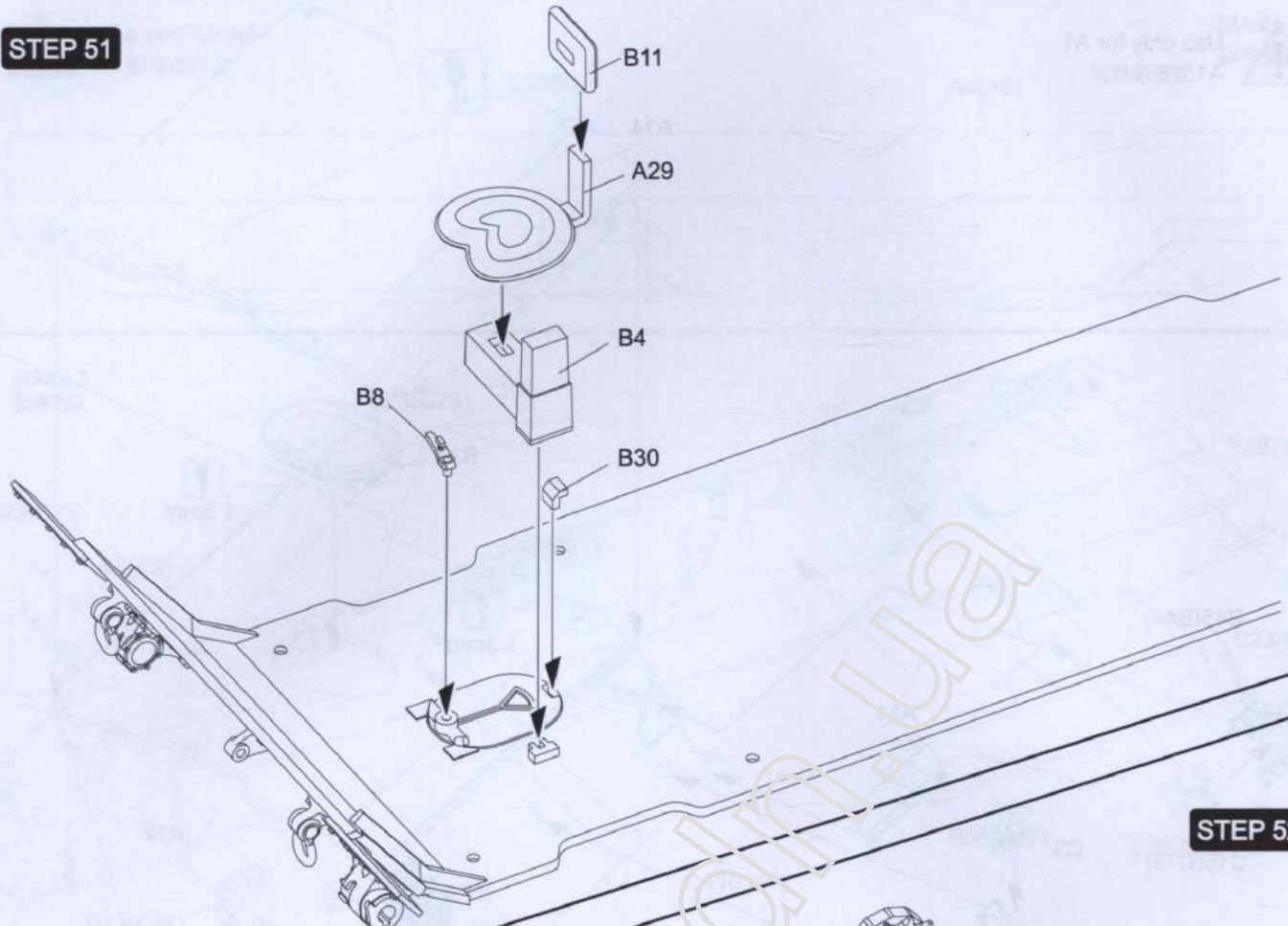
C55

B35

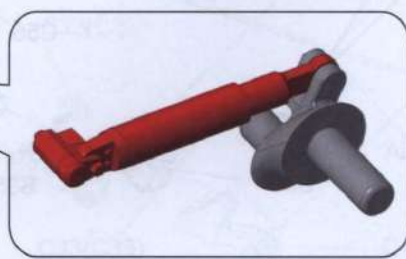
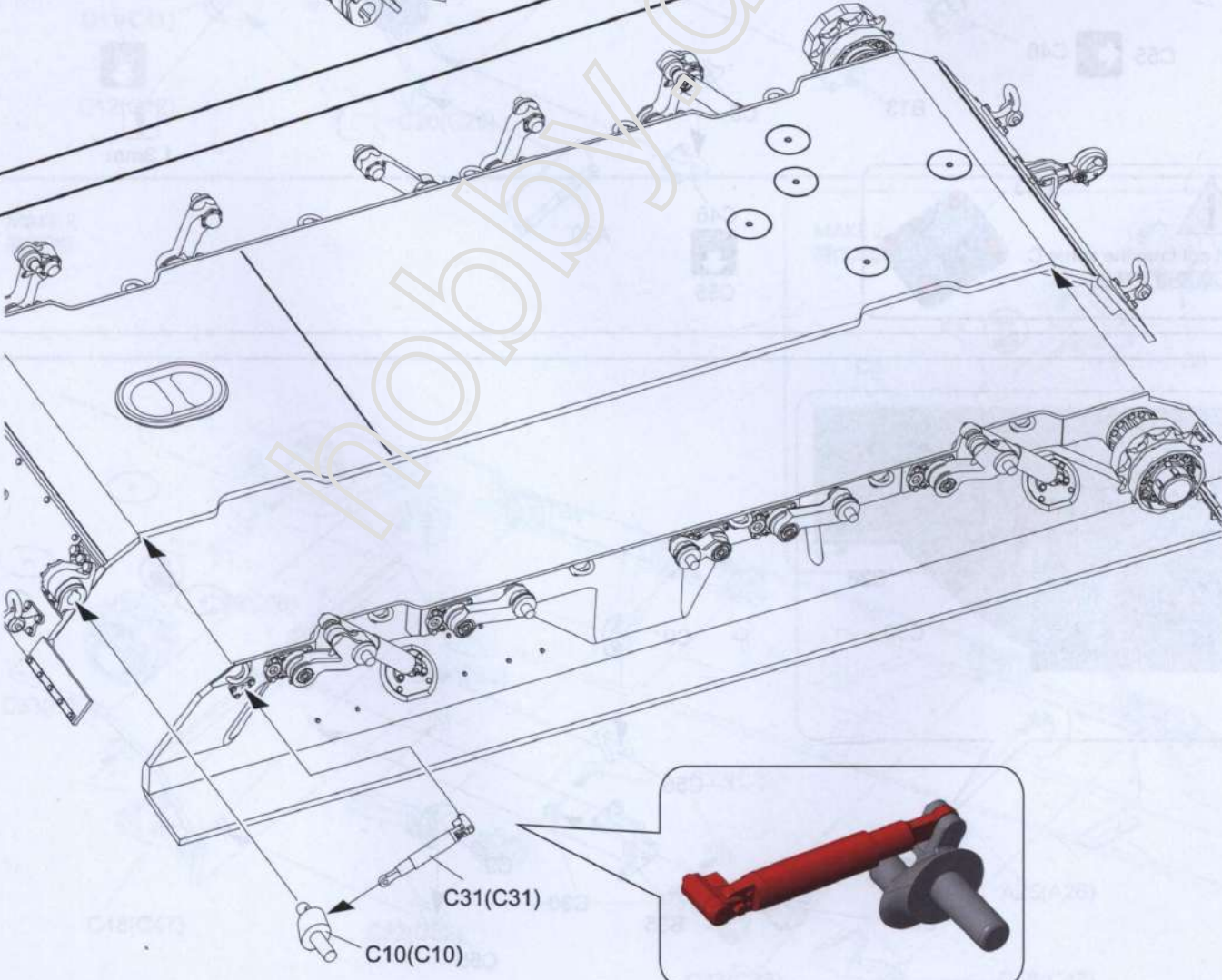
C30



**STEP 51**

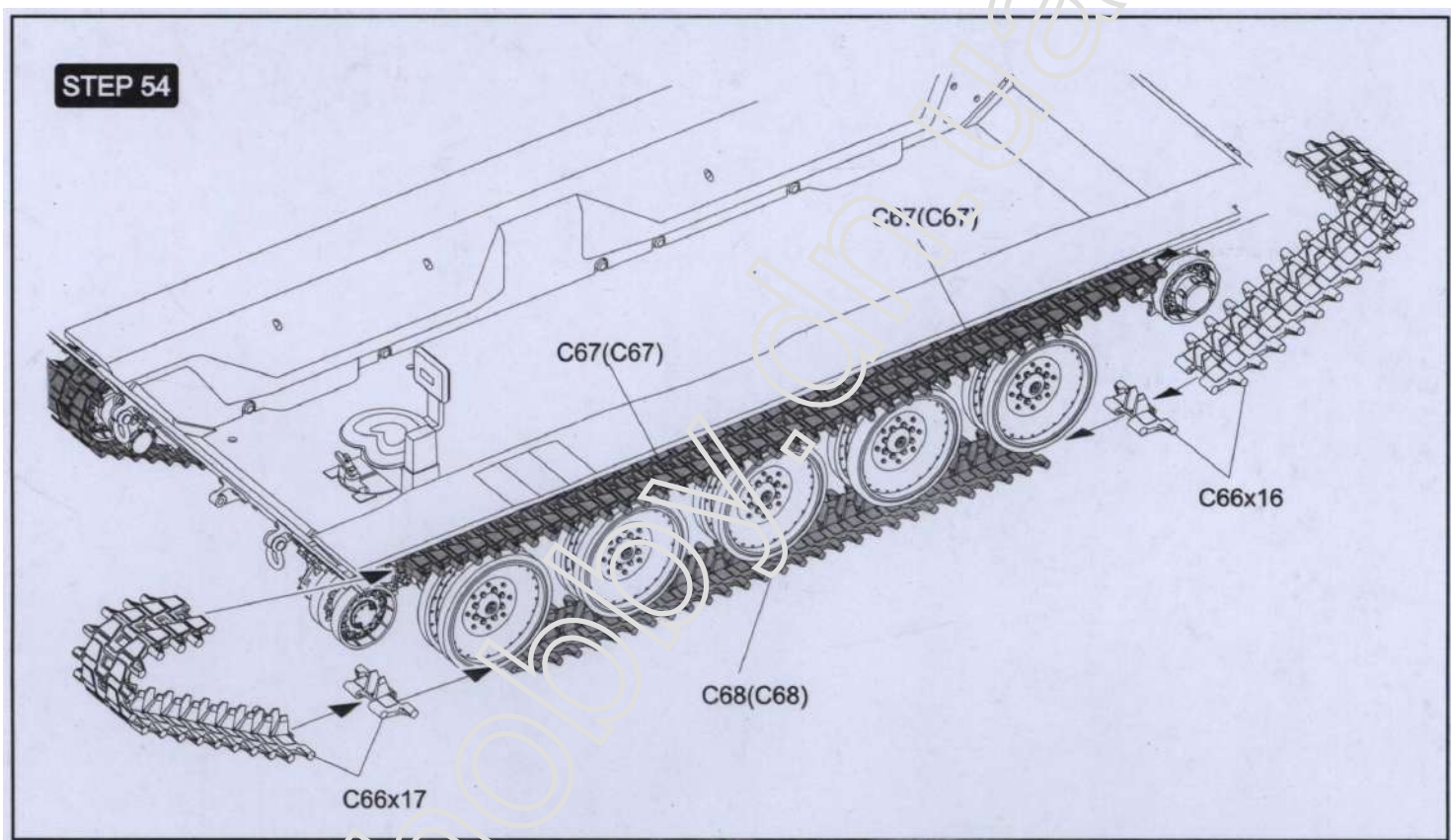


**STEP 52**



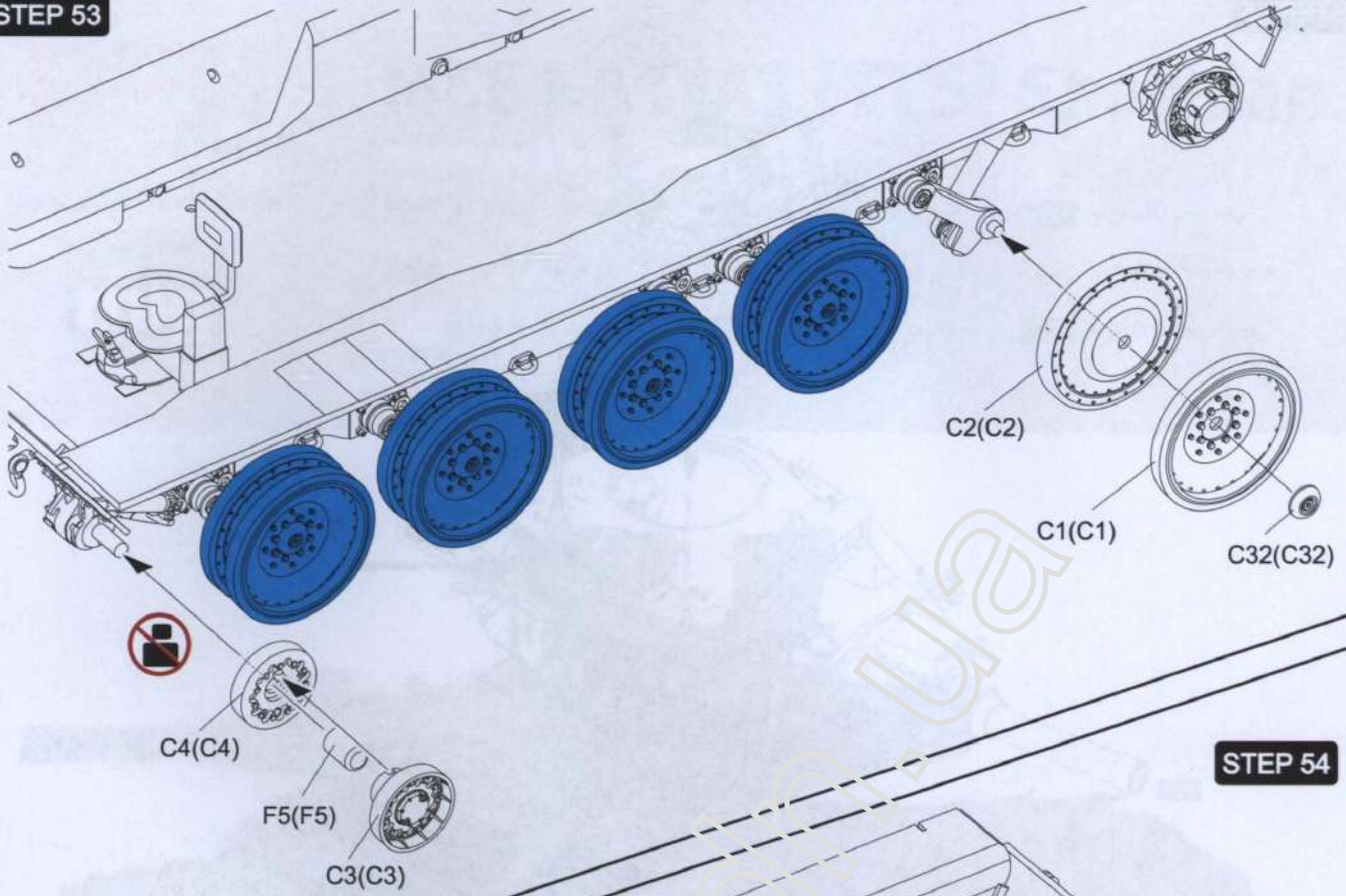


**STEP 54**

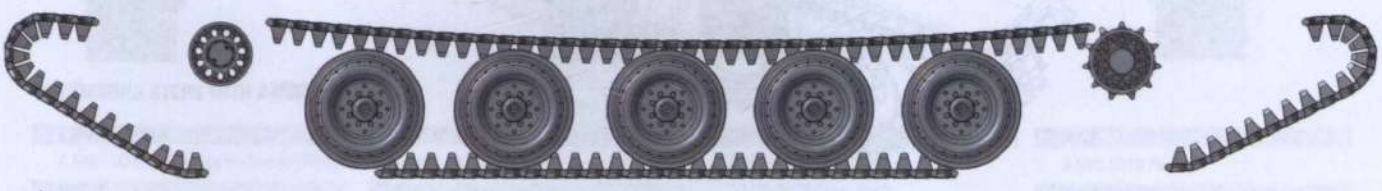
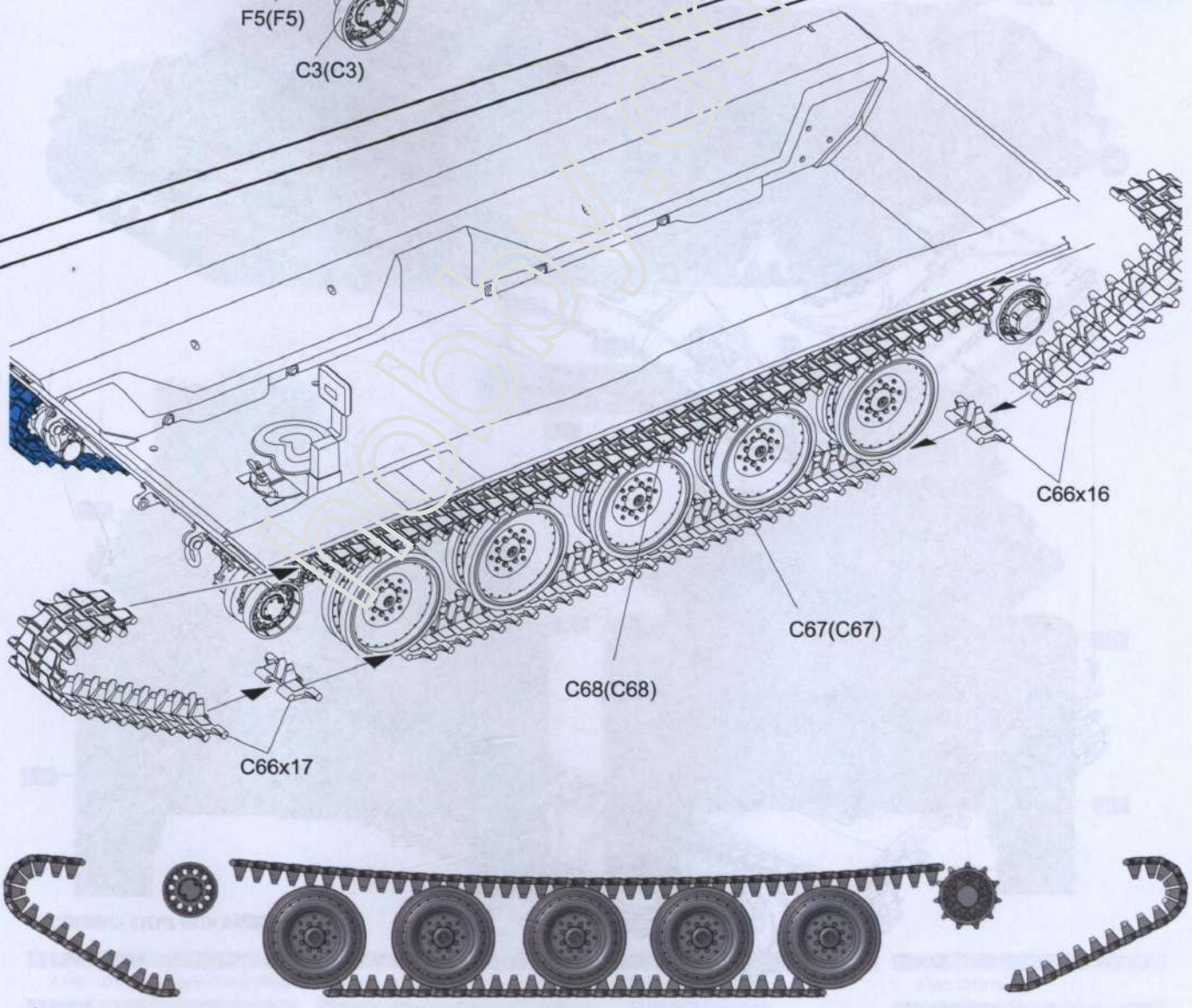




**STEP 53**

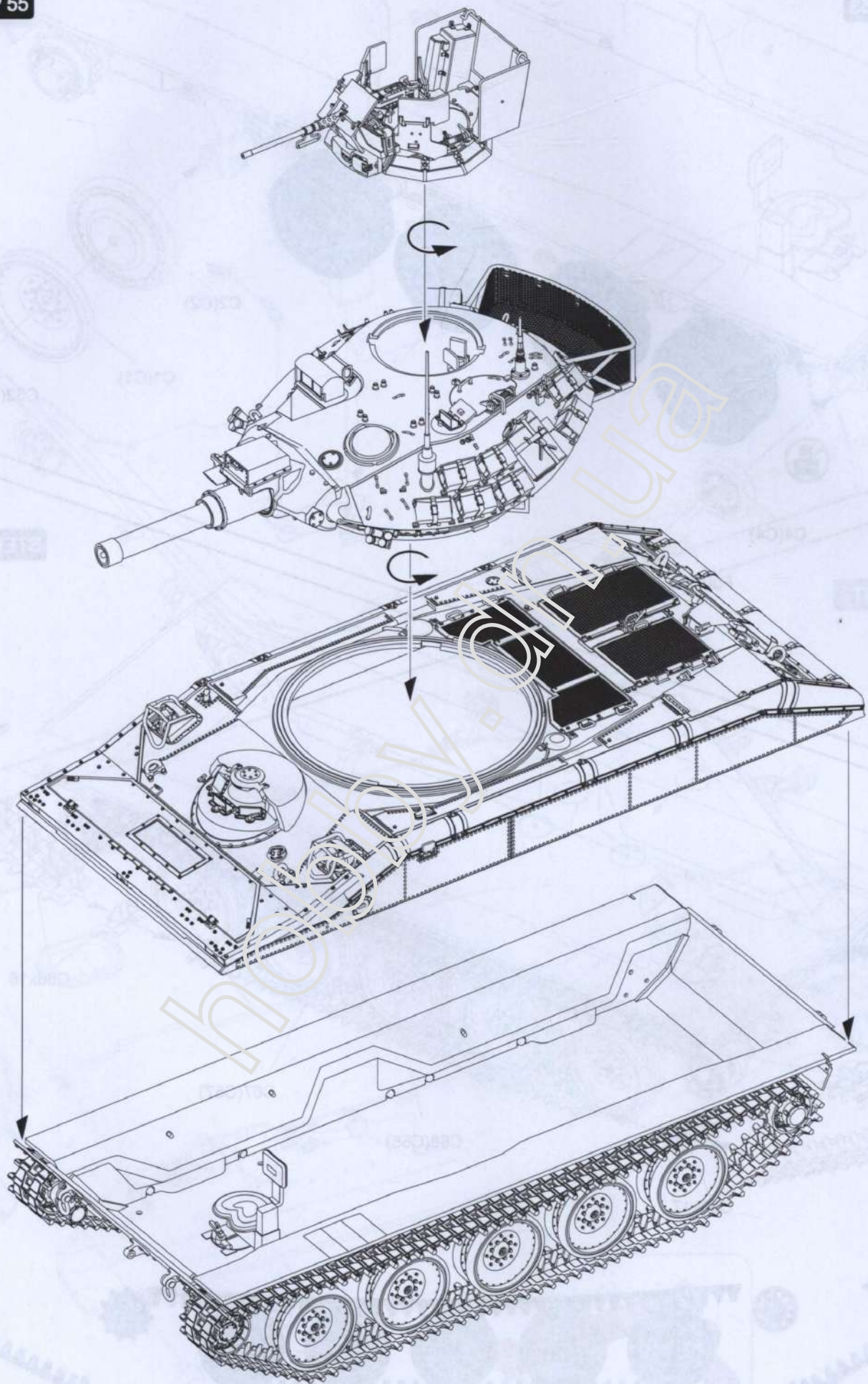


**STEP 54**





STEP 55












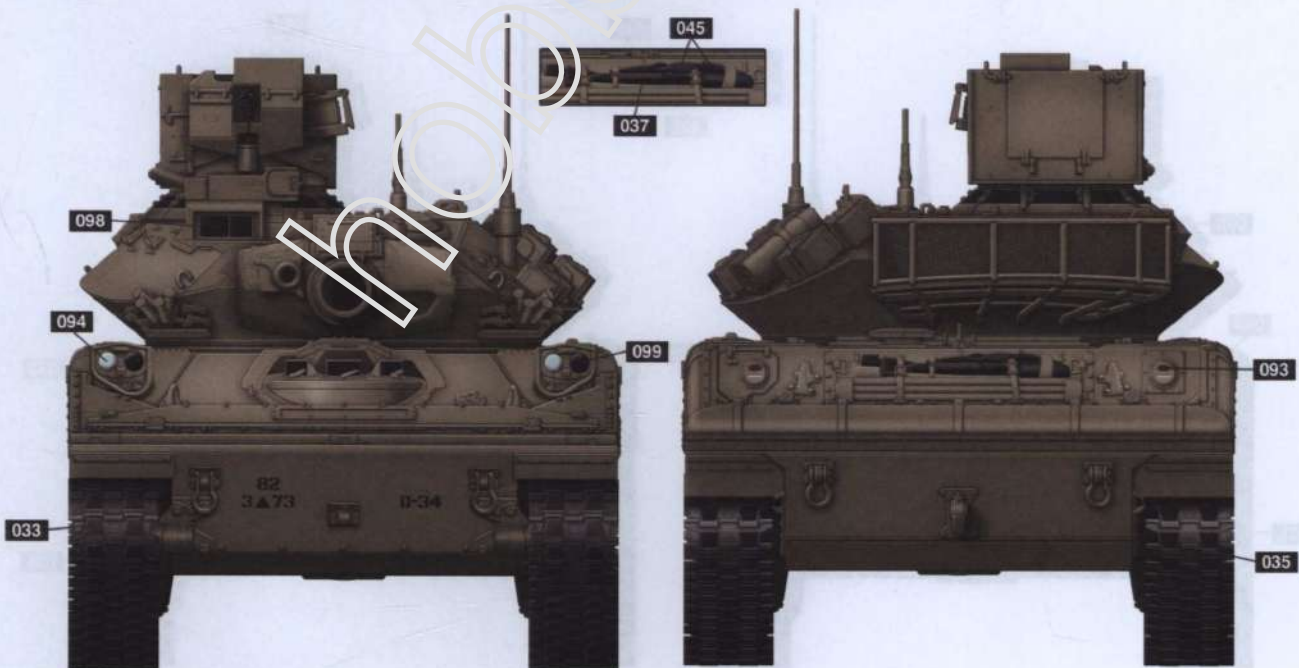




# M551 A1/A1 (TTS) Sheridan

## Painting and Marking Guide

 A.MIG 025 US Modern Vehicles	 A.MIG 033 Rubber & Tires	 A.MIG 035 Dark Tracks
 A.MIG 037 New Wood	 A.MIG 045 Gun Metal	 A.MIG 093 Crystal Red
 A.MIG 094 Crystal Glass	 A.MIG 098 Crystal Black Blue	 A.MIG 099 Crystal Smoke



### WEATHERING STEPS WITH AMMO PRODUCTS

- |  |  |   |  |
|--|--|---|--|
| <b>1 GENERAL WASH</b><br>A.MIG-1000 Brown Wash for German Yellow | <b>3 STREAKING</b><br>A.MIG-1203 Streaking Grime | <b>5 DUST</b><br>A.MIG-3002 Light Dust<br>A.MIG-3026 Golan Earth<br>A.MIG-3013 Rubbel | <b>6 RUST</b><br>A.MIG-3510 Rust                         |
| <b>2 FILTER</b><br>A.MIG-1504 Brown for Desert Yellow            | <b>5 TRACK WASH</b><br>A.MIG-1002 Tracks Wash    |   | <b>7 GREASE &amp; OIL</b><br>A.MIG-1408 Fresh Engine Oil |





# M551 A1/A1 (TTS) Sheridan

## Painting and Marking Guide

 A.MIG 033 Rubber & Tires	 A.MIG 035 Dark Tracks	 A.MIG 037 New Wood
 A.MIG 045 Gun Metal	 A.MIG 046 Matt Black	 A.MIG 084 NATO Green
 A.MIG 085 NATO Brown	 A.MIG 093 Crystal Red	 A.MIG 094 Crystal Glass
 A.MIG 098 Crystal Black Blue	 A.MIG 099 Crystal Smoke	



### WEATHERING STEPS WITH AMMO PRODUCTS

- |  |  |   |   |
|--|--|---|---|
| <p><b>1 GENERAL WASH</b><br/>A.MIG-1000 Brown Wash for German Yellow</p> <p><b>2 FILTER</b><br/>A.MIG-1504 Brown for Desert Yellow</p> | <p><b>3 STREAKING</b><br/>A.MIG-1203 Streaking Grime</p> <p><b>5 TRACK WASH</b><br/>A.MIG-1002 Tracks Wash</p> | <p><b>5 DUST</b><br/>A.MIG-3002 Light Dust<br/>A.MIG-3026 Golan Earth<br/>A.MIG-3013 Rubbel</p> | <p><b>6 RUST</b><br/>A.MIG-3510 Rust</p> <p><b>7 GREASE &amp; OIL</b><br/>A.MIG-1408 Fresh Engine Oil</p> |
|--|--|---|---|