

GERMAN STAFF CAR TYPE 82E

德国82E型军官车 ドイツ軍スタッフカータイプ82E

WITH FULL INTERIOR

1/35 SCALE



5023

MILITARY MINIATURE SER

RFM
RYEFIELD MODEL®

ASSEMBLY ICONS



OPTIONAL
选择



CEMENT
膠水



DO NOT CEMENT
不使用膠水



INSTANT CEMENT
瞬間接著劑



BEND
彎折



MAKE 2
製作2組



OPEN HOLE
鑿孔



REMOVE
切除



BE CAREFUL
注意



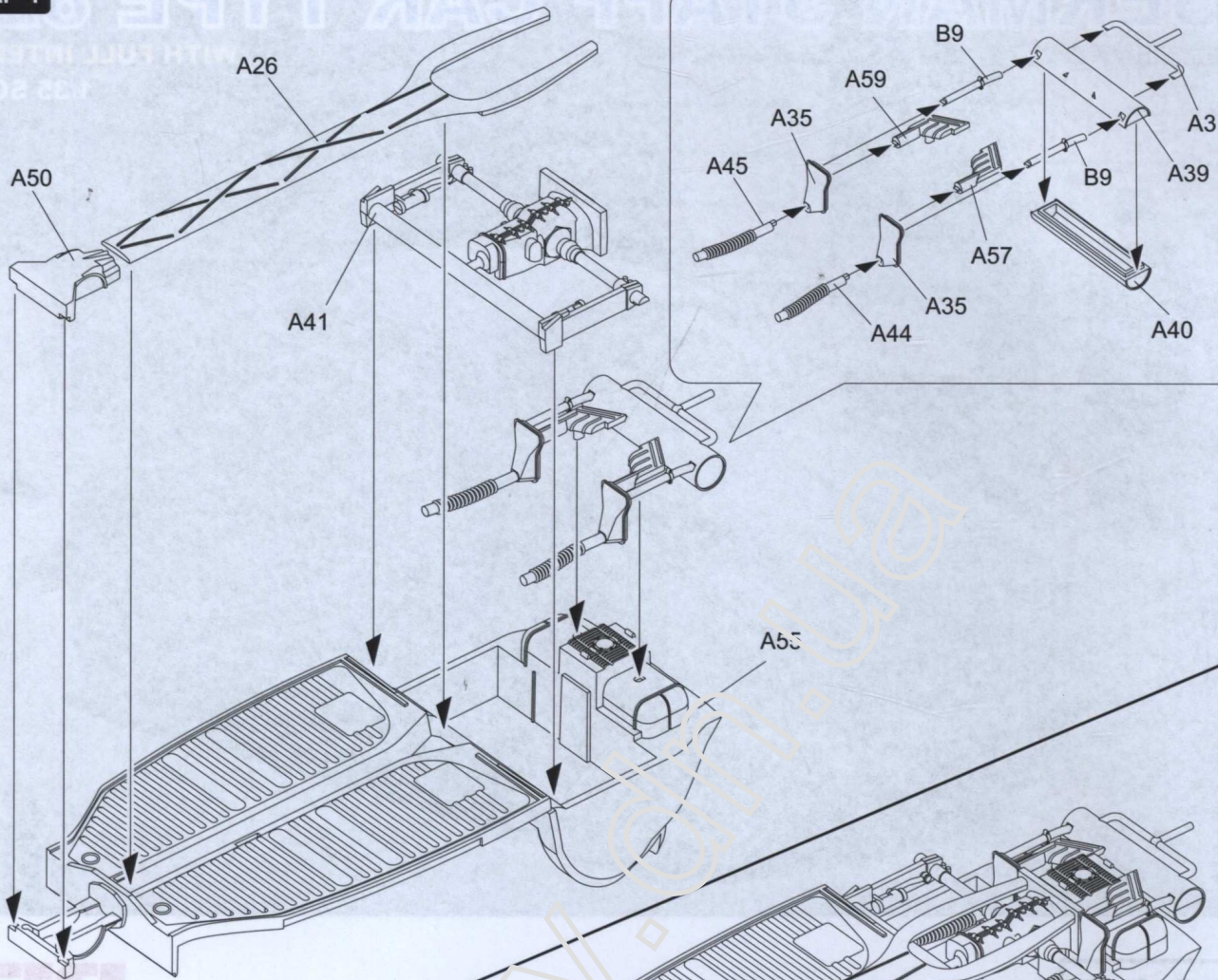
APPLY DECAL
貼上水貼紙

CAUTION!

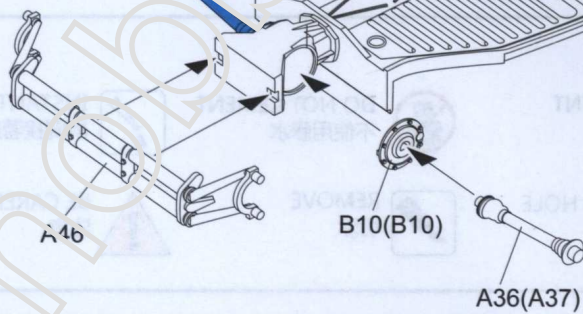
Read carefully and fully understand the instructions before commencing assembly.
Supervising adult should also read the instructions if a child assembles the model.
When you used glue or paint, do not use near a naked flame, and use in a well-ventilated room.
When assembling this kit, tools including knives are used. Extra care should be taken to avoid personal injury.
Read and follow the instructions supplied with paints and/ or cement. Use plastic cement and paints only.
Keep out of reach of small children. Children must not be allowed to suck any part, or pull vinyl bag over the head.

在裝配前仔細閱讀說明並完全理解。小孩裝配時需成人看護且需仔細閱讀說明。
使用膠水和油漆時，應遠離火源並打開窗戶保持空氣流通。
製作時請格外注意工具刀和零件的鋒利尖銳部分，避免對身體造成傷害。
在使用膠水和油漆前仔細閱讀注意事項，按照說明正確使用膠水和油漆。
請將本品放在兒童接觸不到的地方，套件中的塑膠包裝袋會對兒童造成窒息的危險。

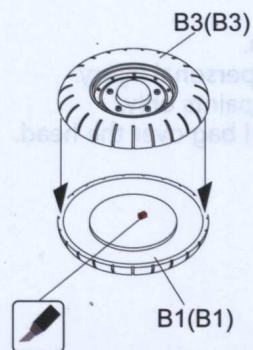
STEP 1



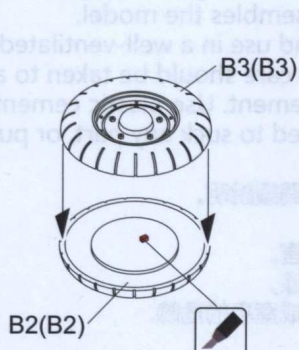
STEP 2



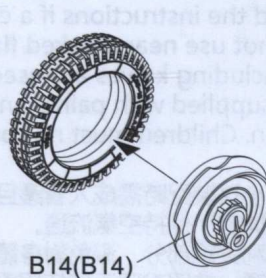
A1 MAKE 2
制作2组



A2 MAKE 2
制作2组



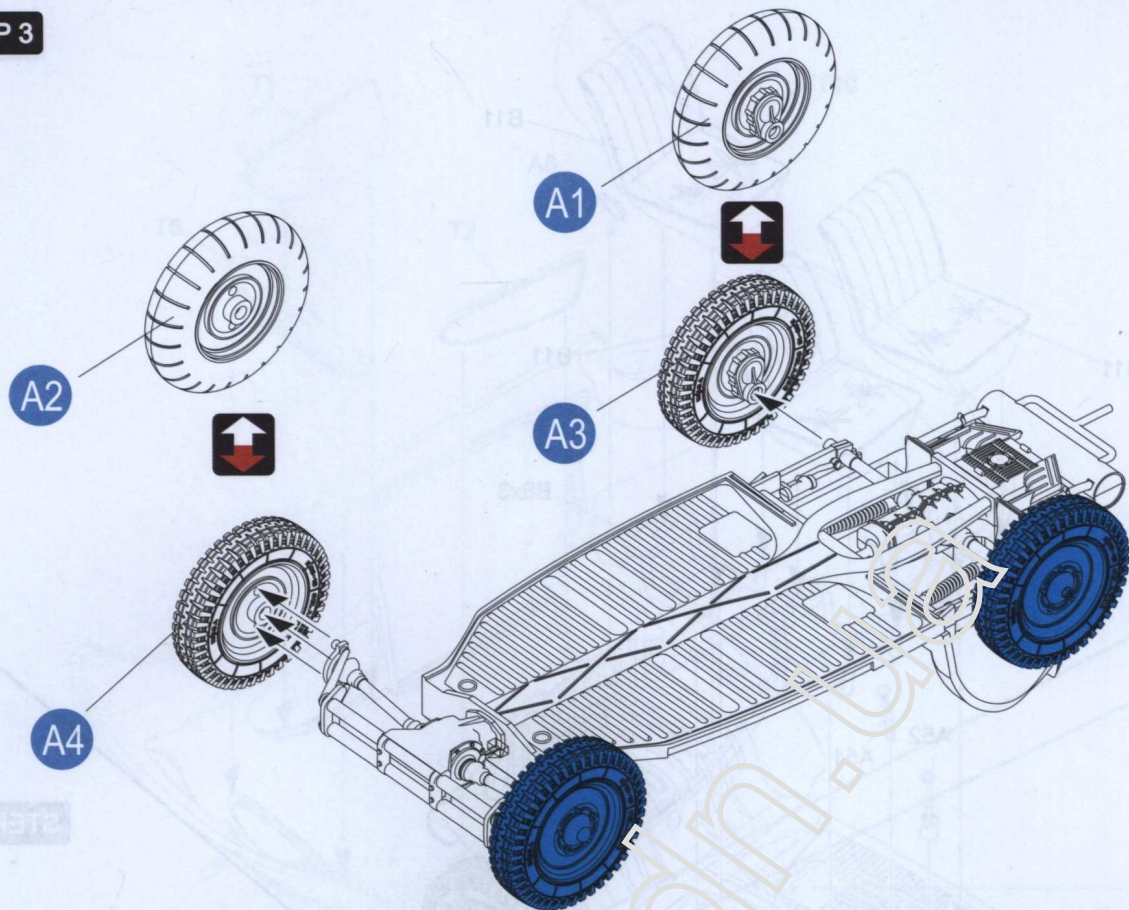
A3 MAKE 2
制作2组



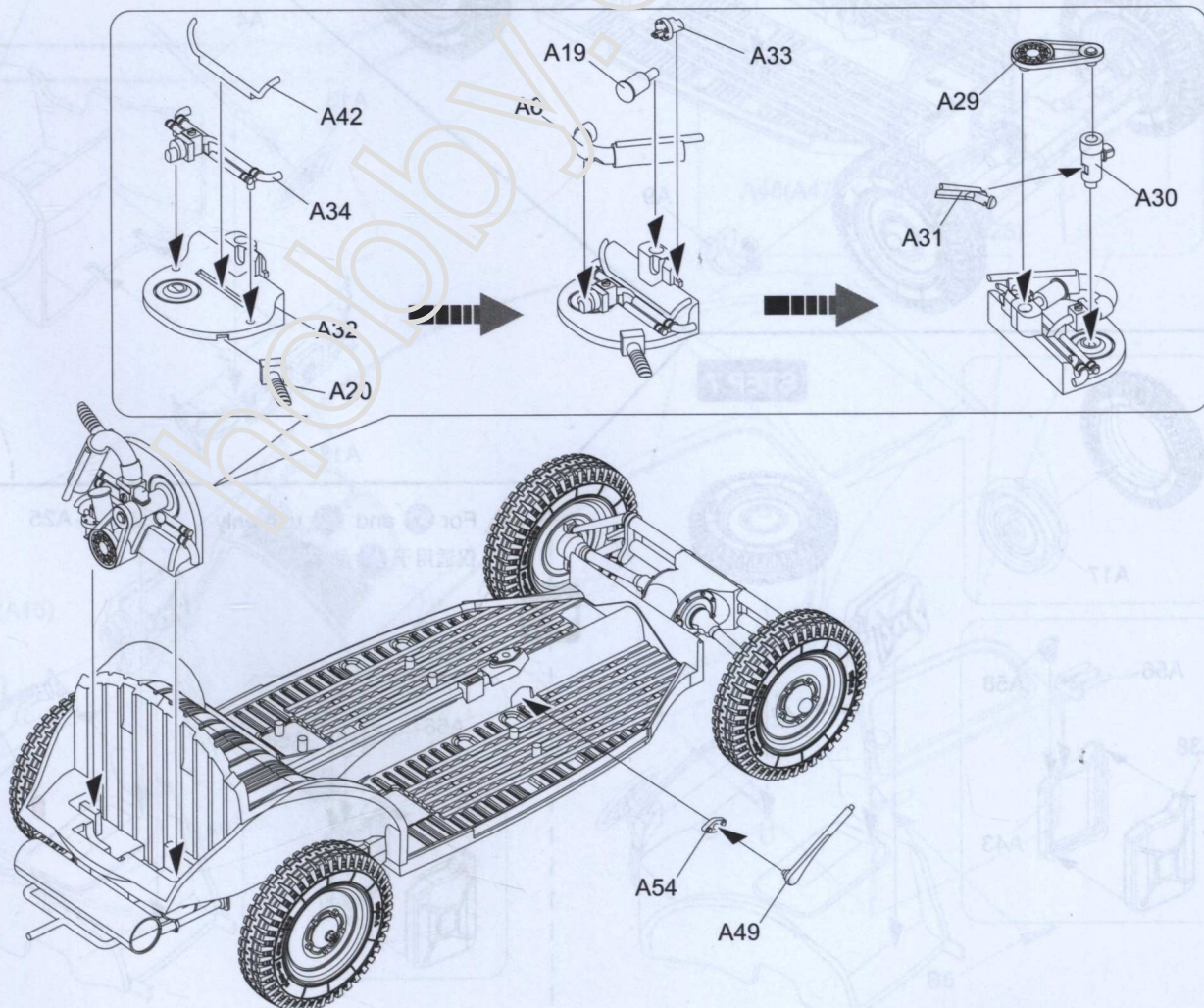
A4 MAKE 2
制作2组



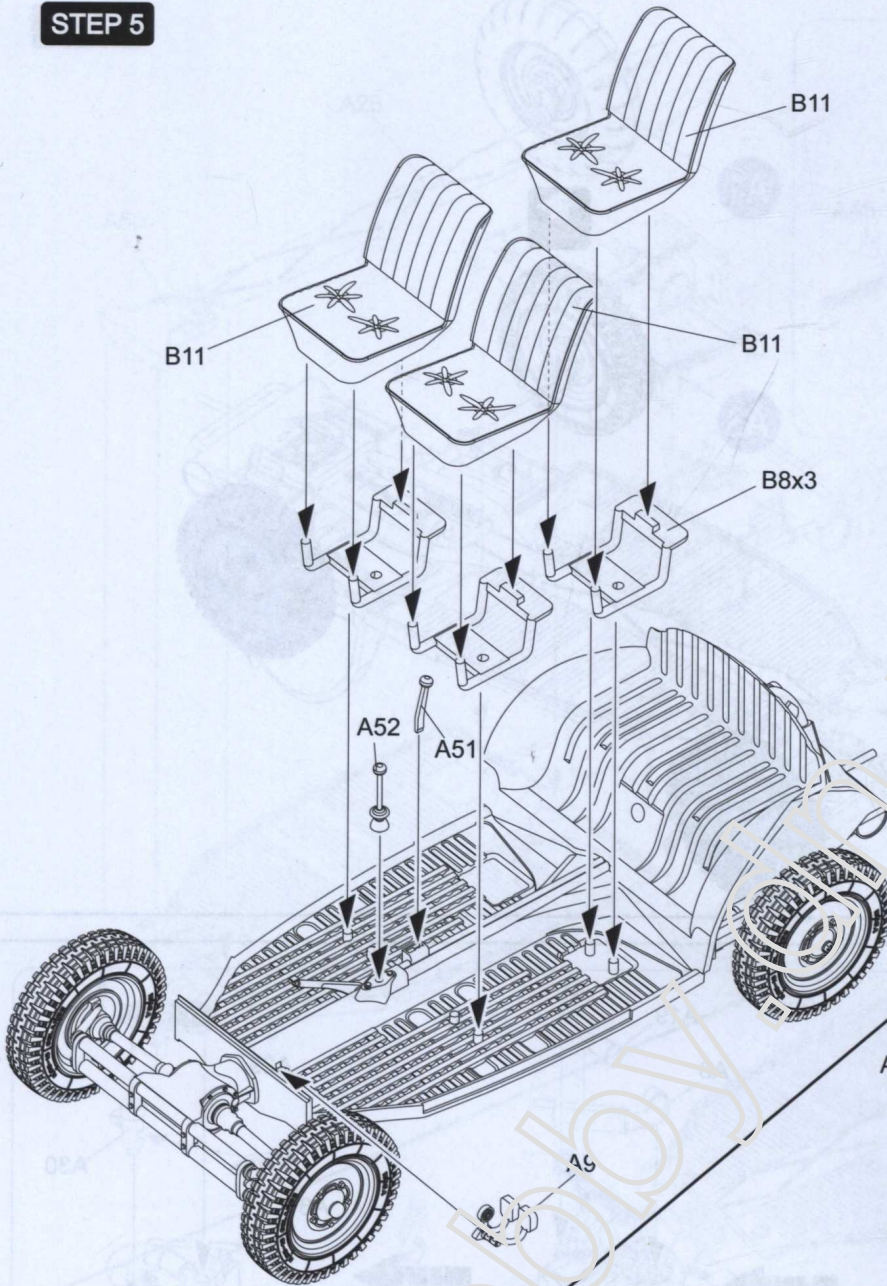
STEP 3



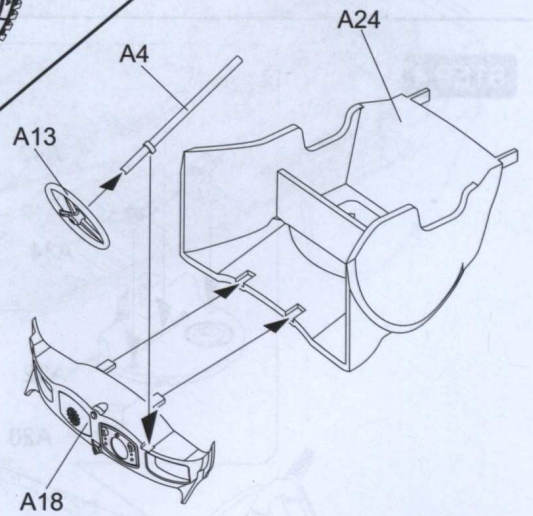
STEP 4



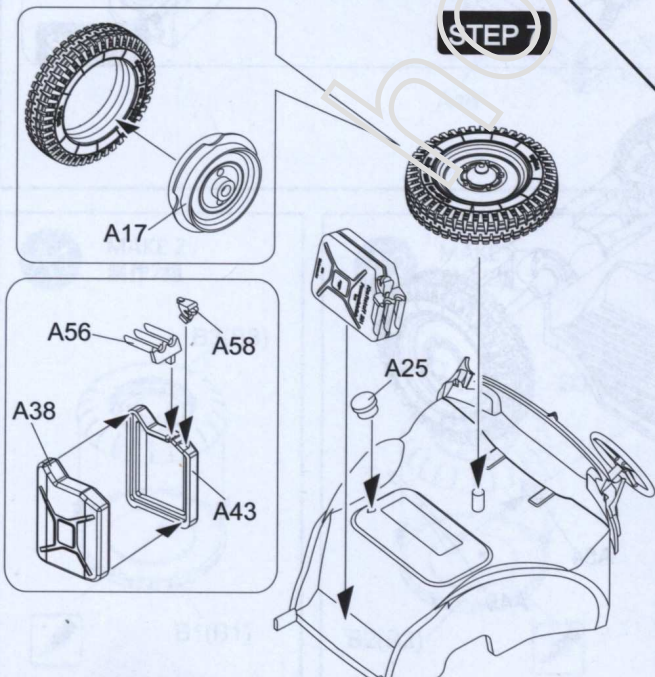
STEP 5



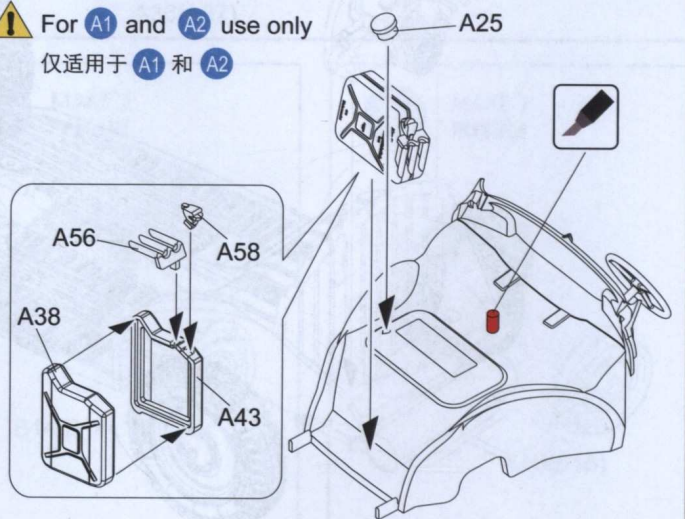
STEP 6



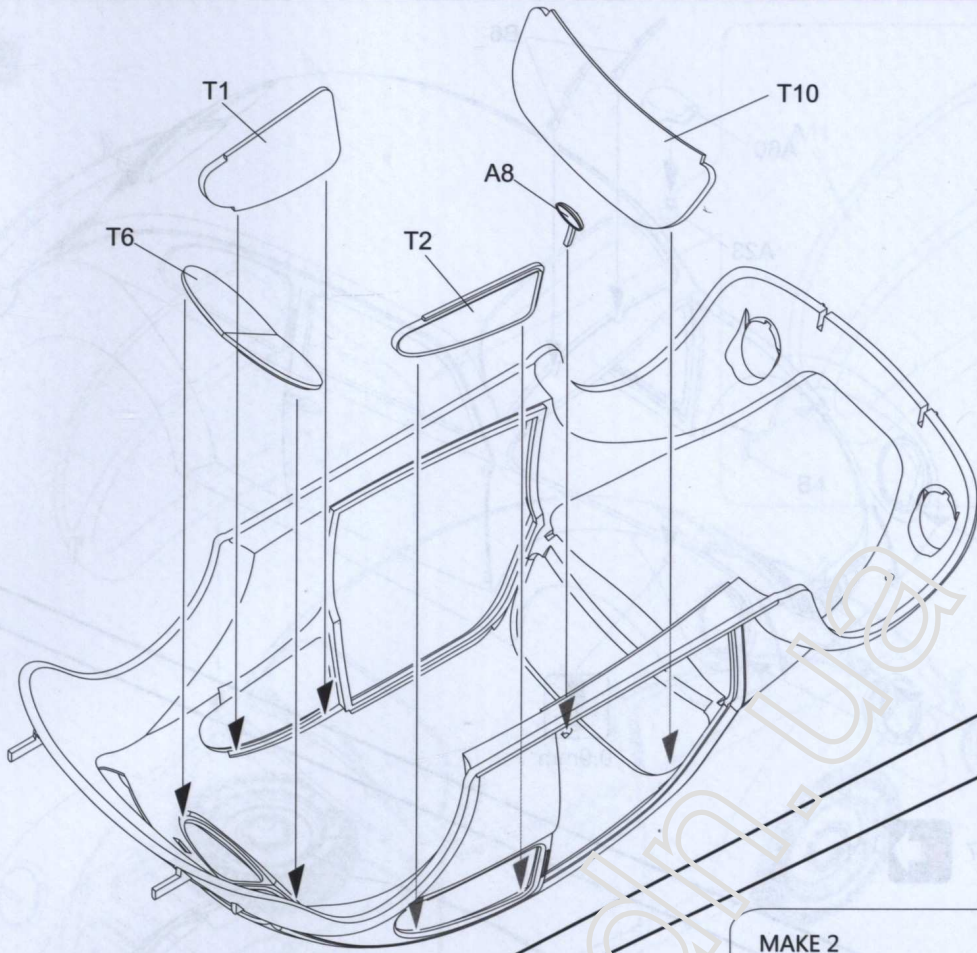
STEP 7



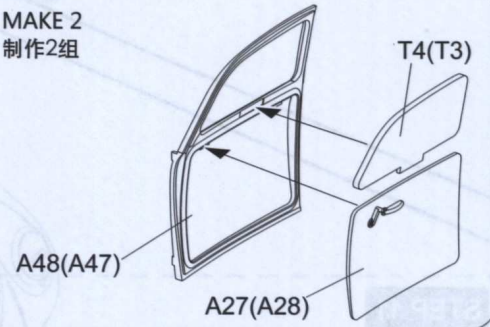
! For A1 and A2 use only
仅适用于 A1 和 A2



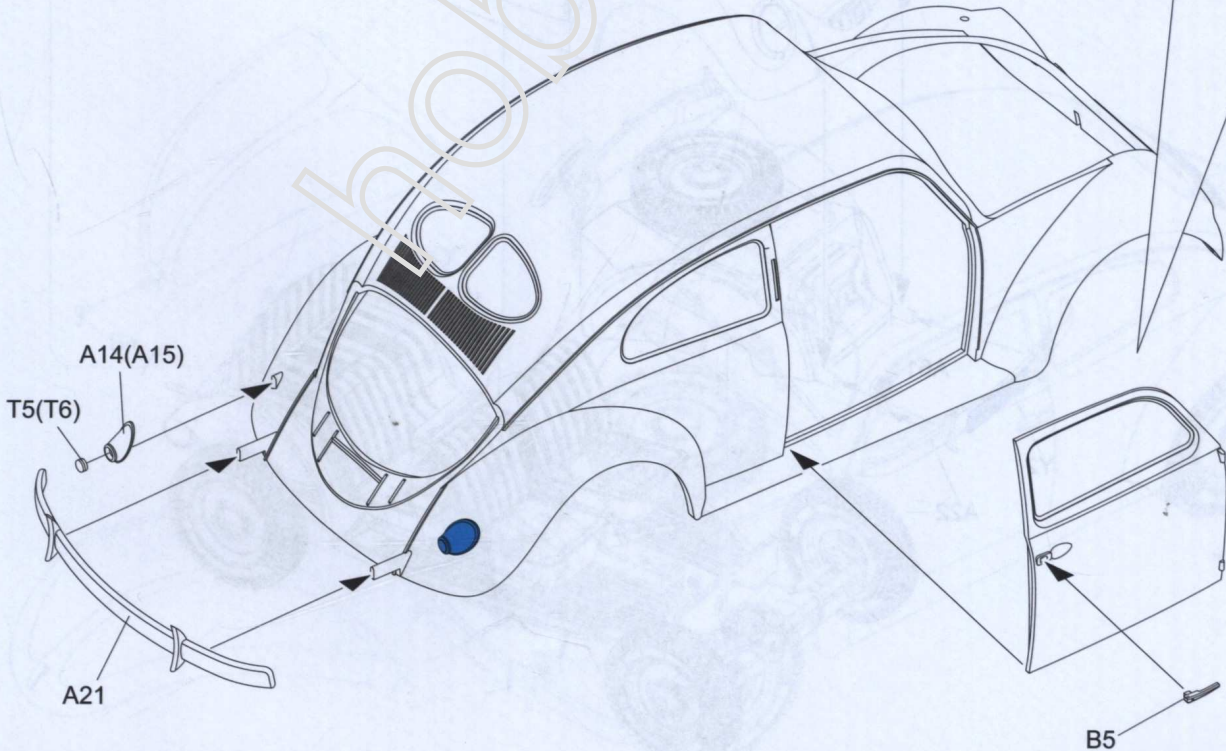
STEP 8



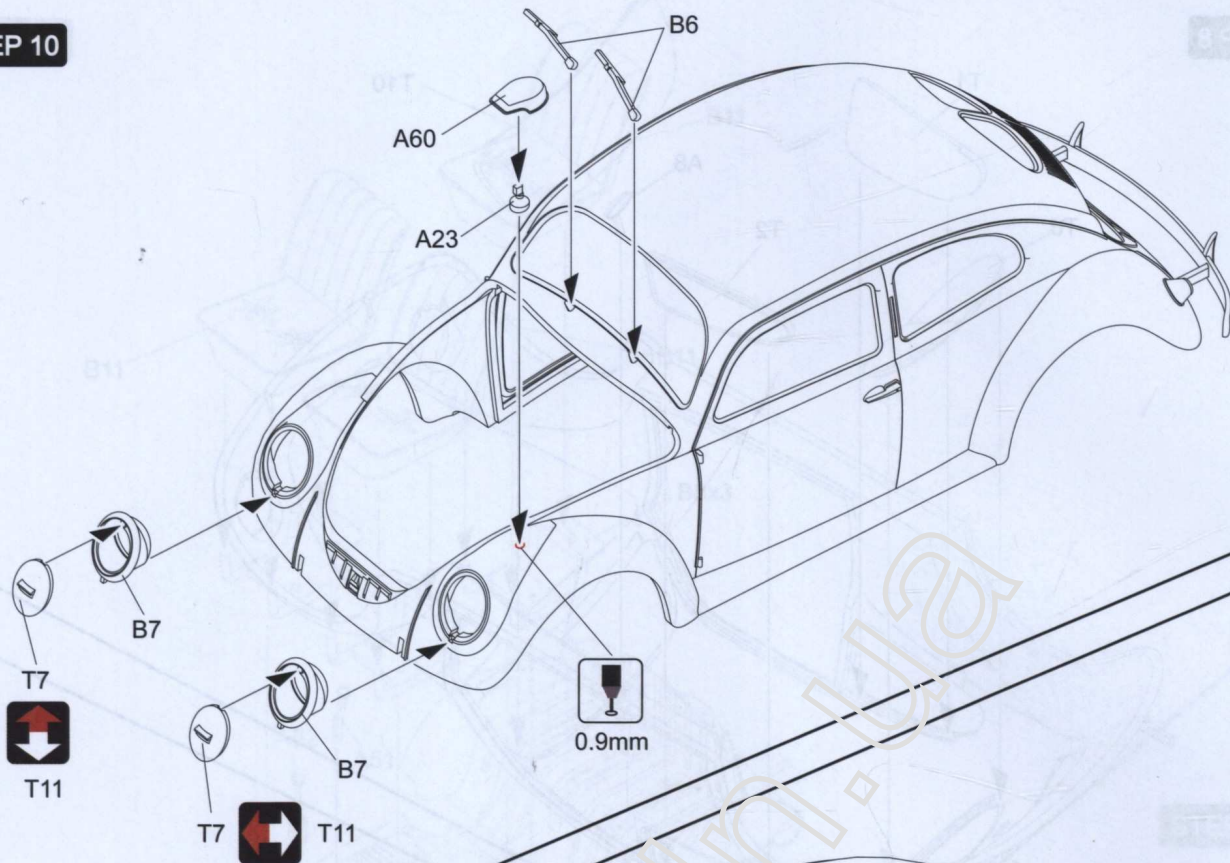
MAKE 2
制作2组



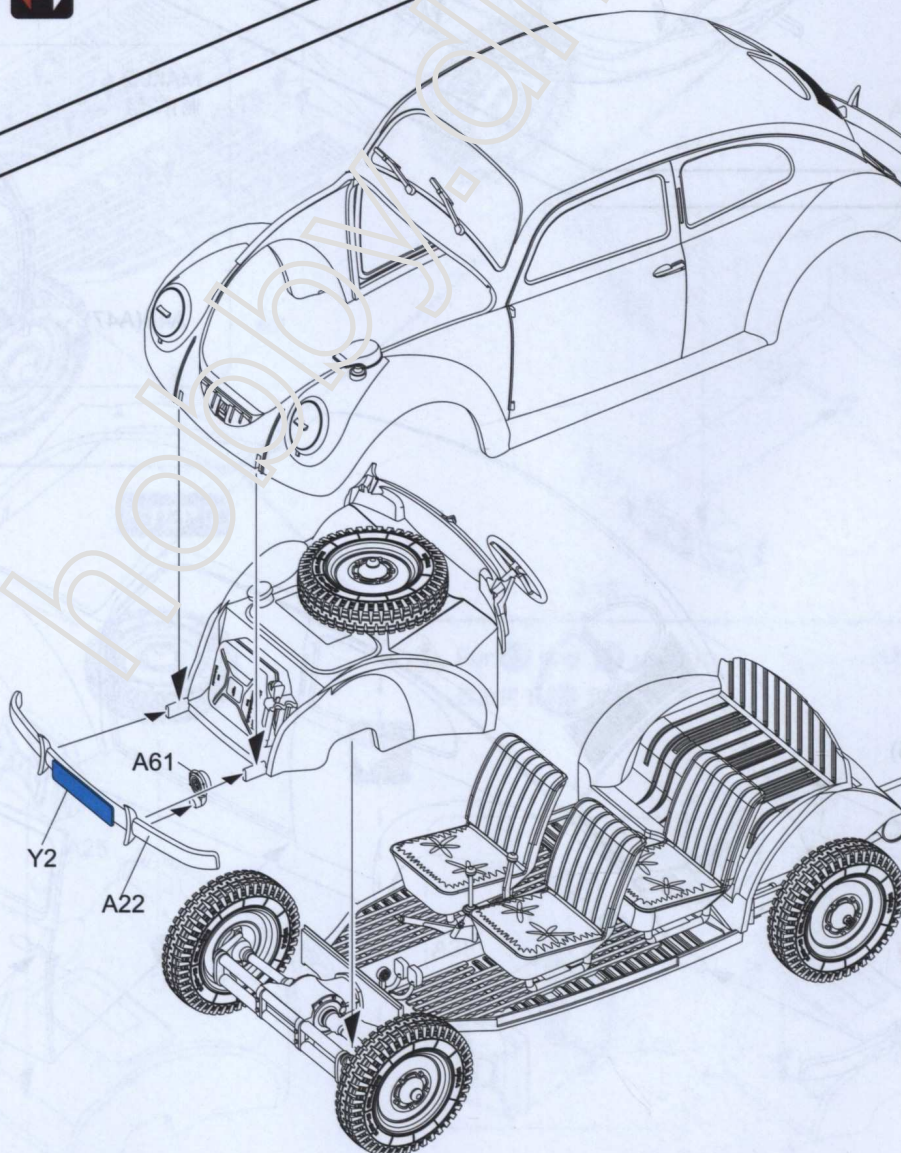
STEP 9



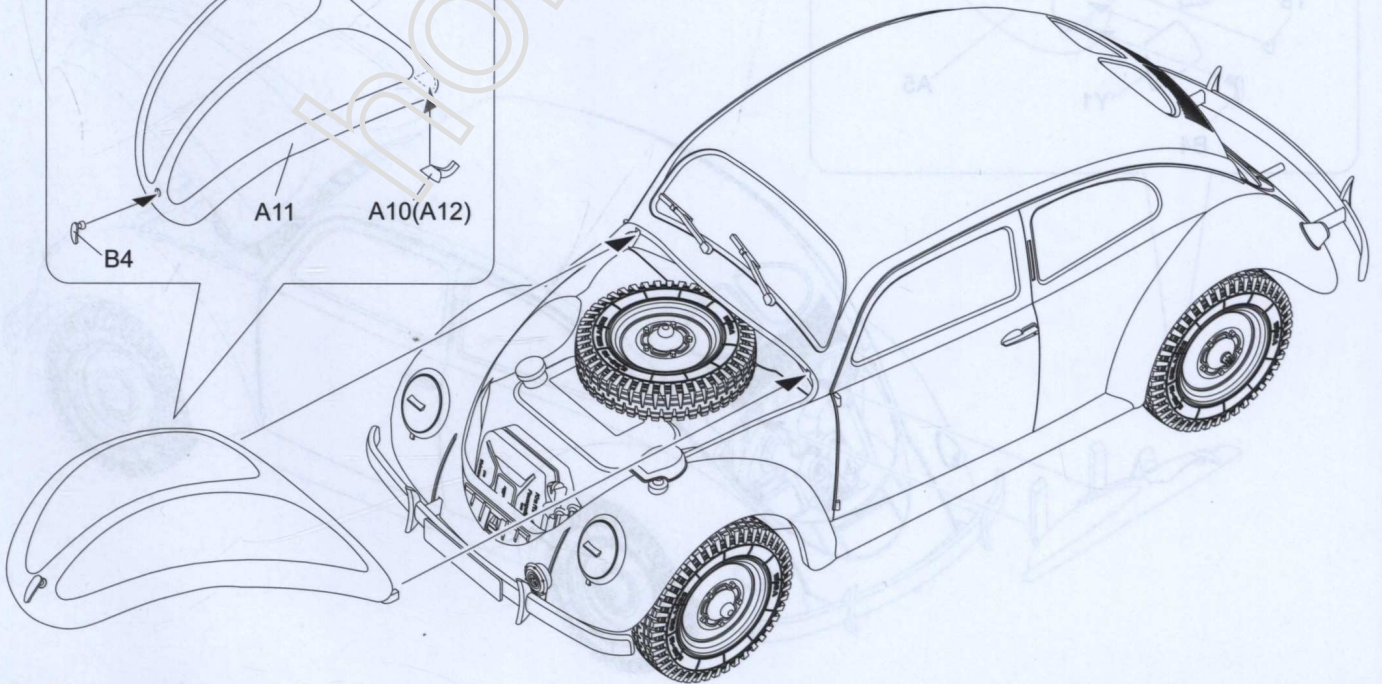
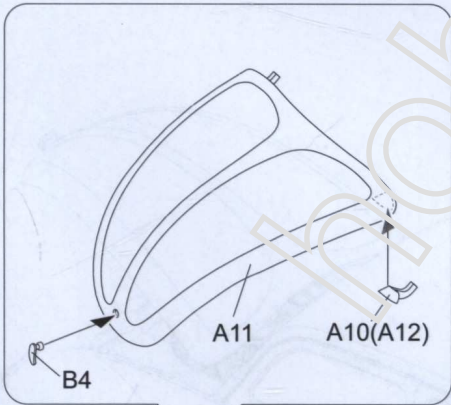
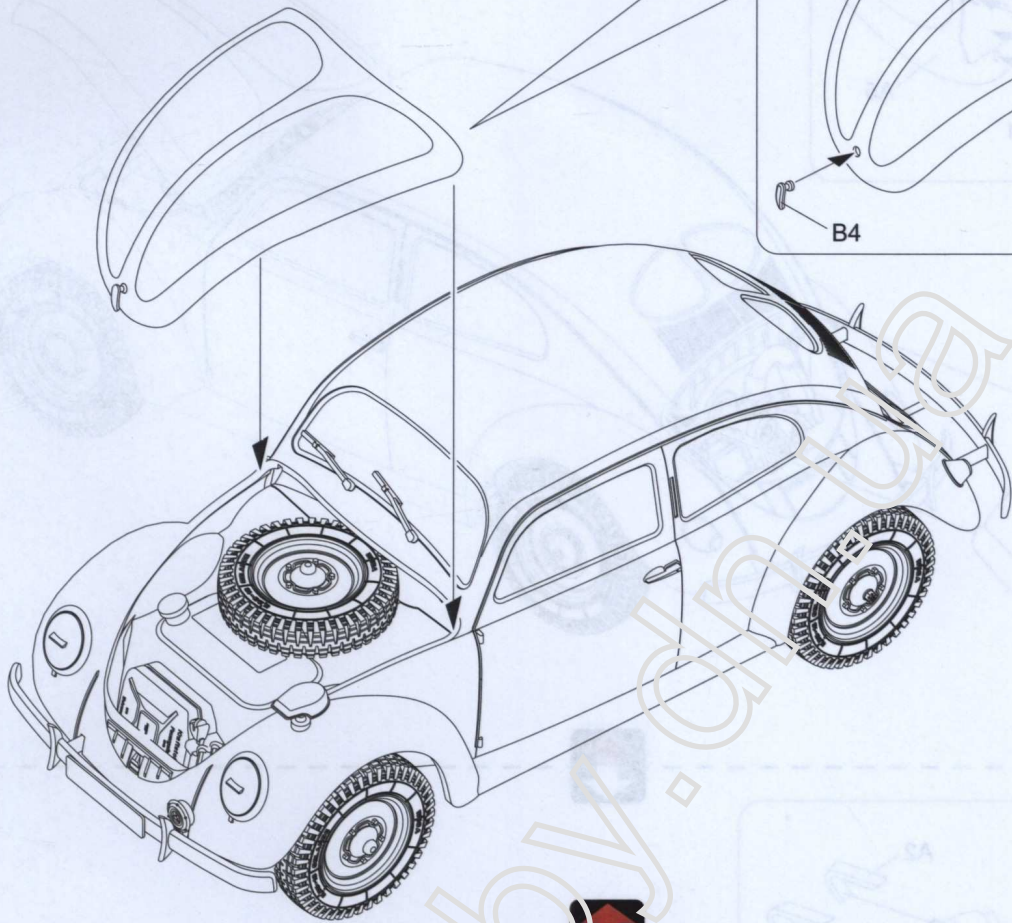
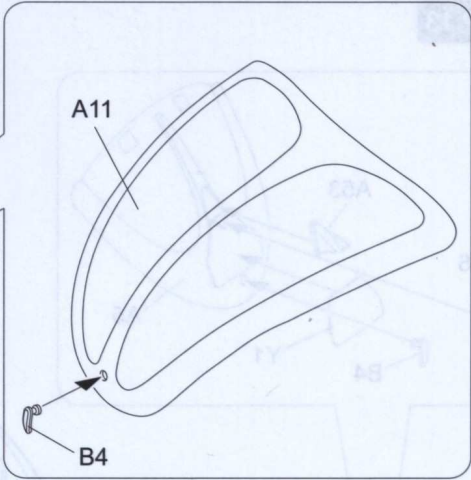
STEP 10



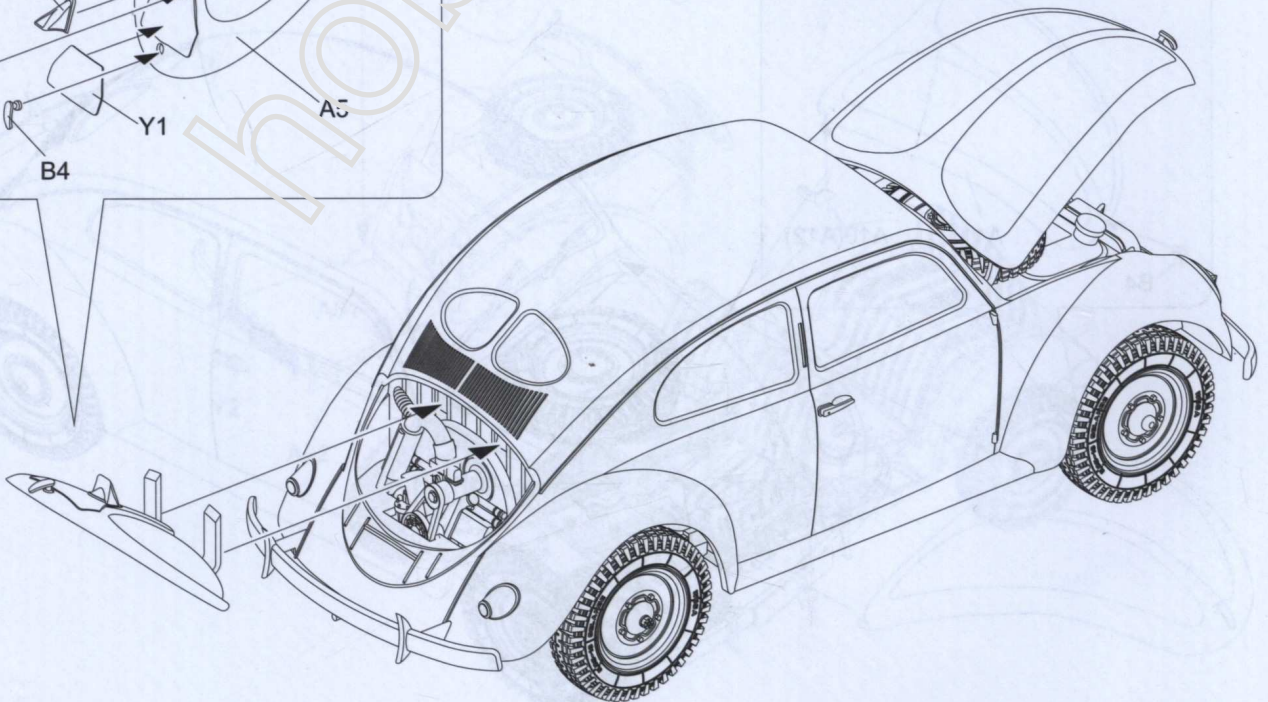
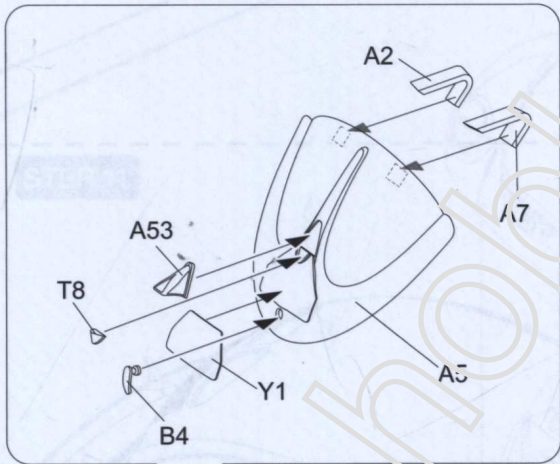
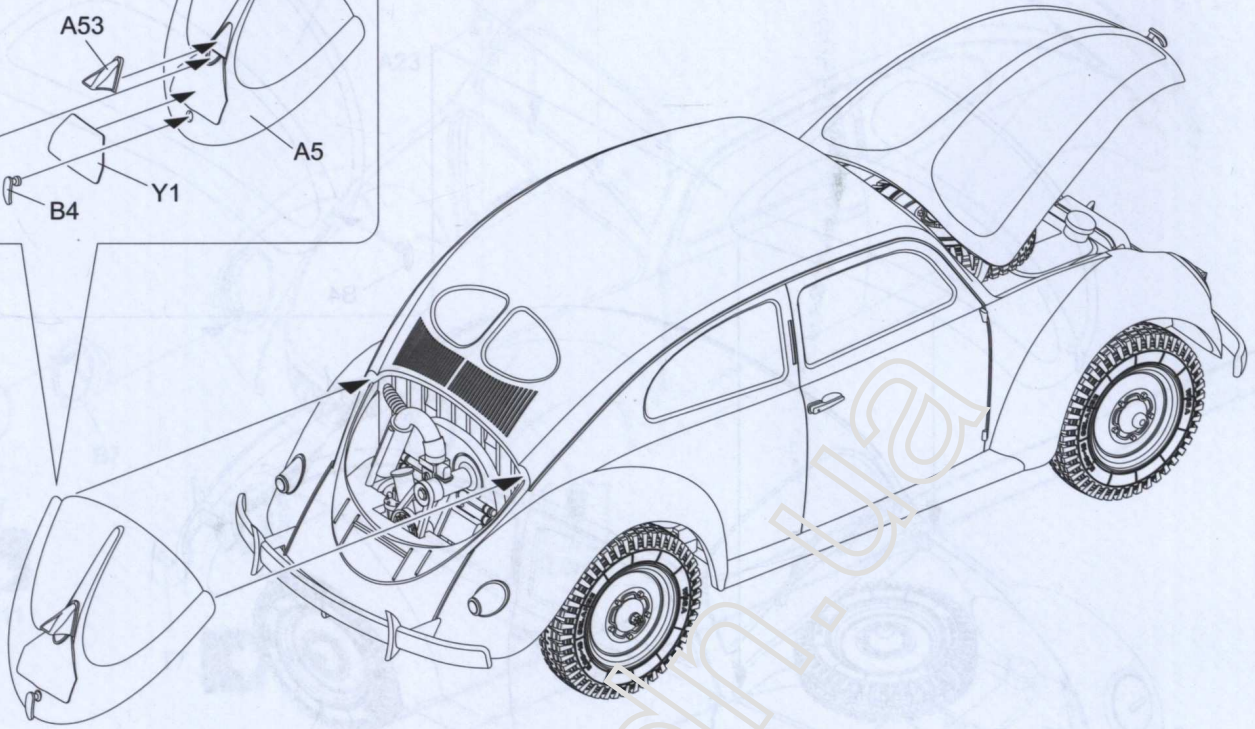
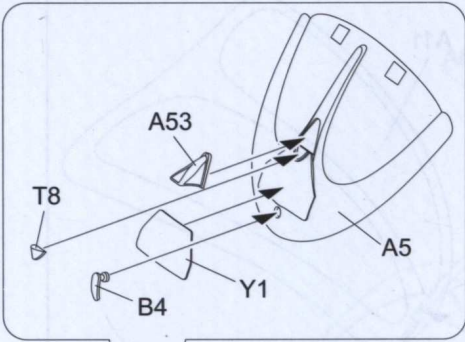
STEP 11



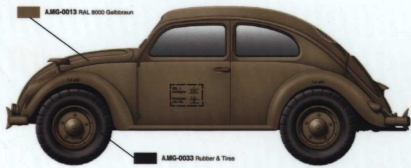
STEP 12



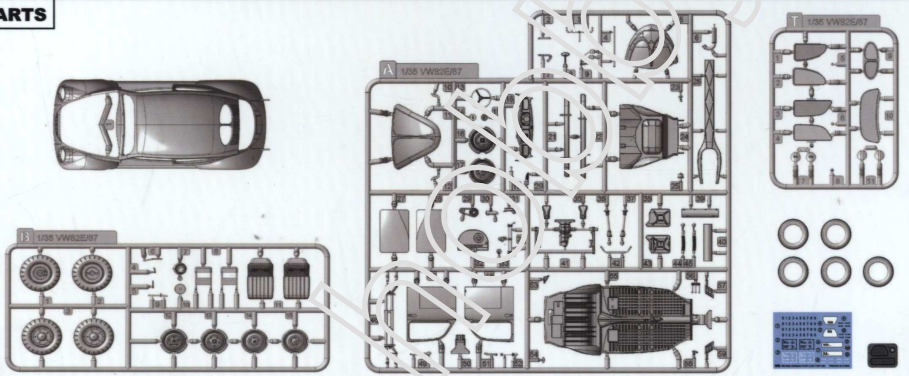
STEP 13



PAINTING & MARKING GUIDE



PARTS



Color info and profiles by



**GERMAN STAFF CAR
TYPE 82E**

5023
MILITARY MINIATURE SERIE

RFM
RYEFIELD MODEL®