



1/35 SCALE U.S. MAIN BATTLE TANK

# M1A2 SEP ABRAMS TUSK I/ TUSK II 2 IN 1

M1A2 SEP エイブラムス TUSK I/TUSK II w/フルインテリア 美国主战坦克M1A2 艾布拉姆斯 TUSK I/ TUSK II 2合1

## ASSEMBLY ICONS



OPTIONAL  
选择



CEMENT  
膠水



DO NOT CEMENT  
不使用膠水



INSTANT CEMENT  
瞬間接著劑



BEND  
彎折



MAKE 2  
製作2組



OPEN HOLE  
鑽孔



REMOVE  
切除



BE CAREFUL  
注意



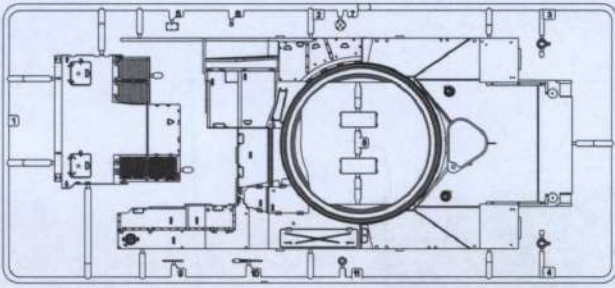
APPLY DECAL  
貼上水貼紙

## CAUTION!

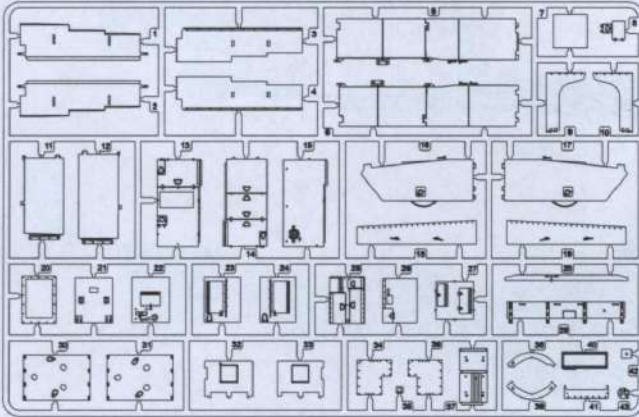
Read carefully and fully understand the instructions before commencing assembly.  
Supervising adult should also read the instructions if a child assembles the model.  
When you used glue or paint, do not use near a naked flame, and use in a well-ventilated room.  
When assembling this kit, tools including knives are used. Extra care should be taken to avoid personal injury.  
Read and follow the instructions supplied with paints and/ or cement. Use plastic cement and paints only.  
Keep out of reach of small children. Children must not be allowed to suck any part, or pull vinyl bag over the head.

在裝配前仔細閱讀說明並完全理解。小孩裝配時需成人看護且需仔細閱讀說明。  
使用膠水和油漆時，應遠離火源並打開窗戶保持空氣流通。  
製作時請格外注意工具刀和零件的鋒利尖銳部分，避免對身體造成傷害。  
在使用膠水和油漆前仔細閱讀注意事項，按照說明正確使用膠水和油漆。  
請將本品放在兒童接觸不到的地方，套件中的塑膠包裝袋會對兒童造成窒息的危險。

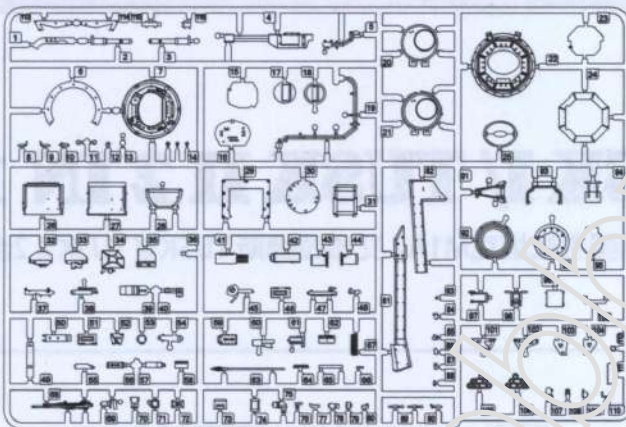
**A X1**



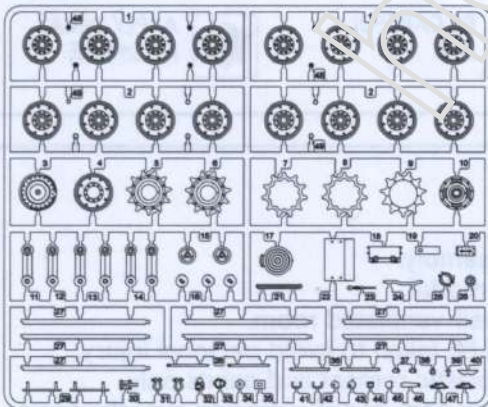
**B X1**



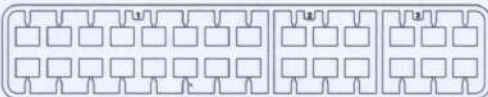
**E X1**



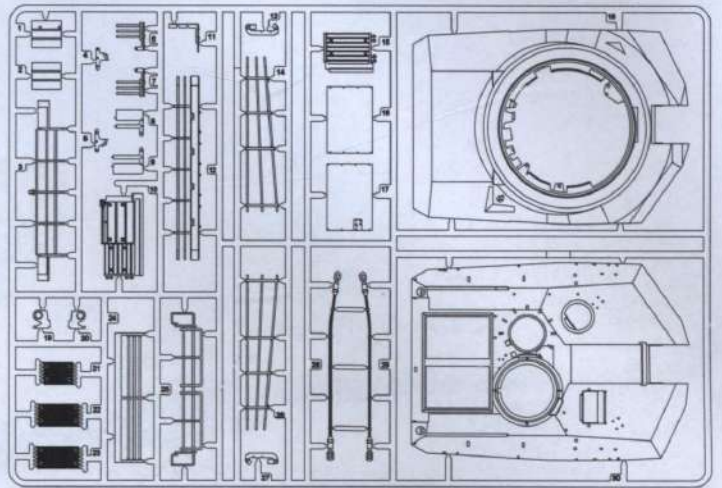
**C X2**



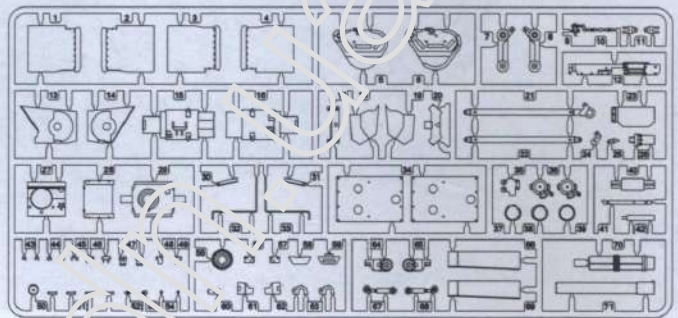
**H x1**



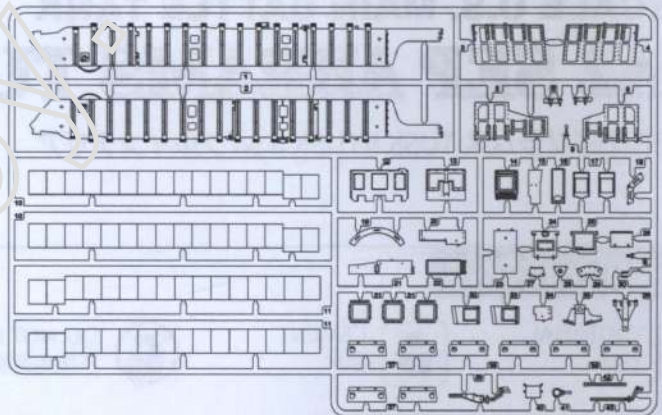
**D X1**



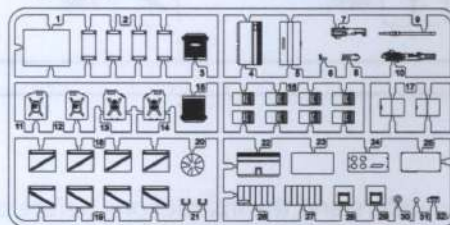
**F X1**



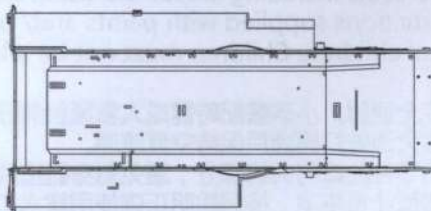
**J x1**



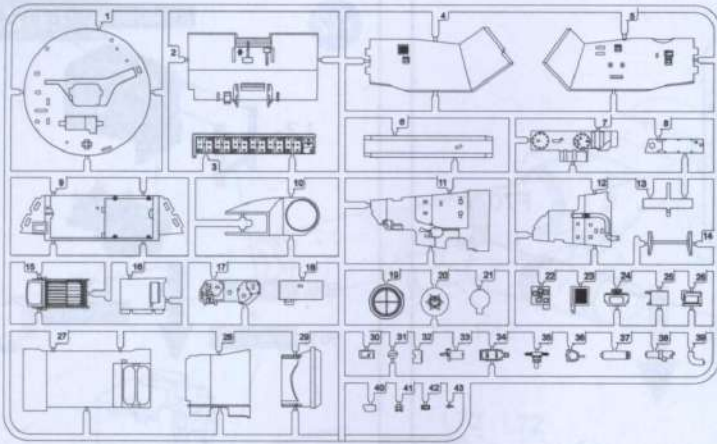
**O X2**



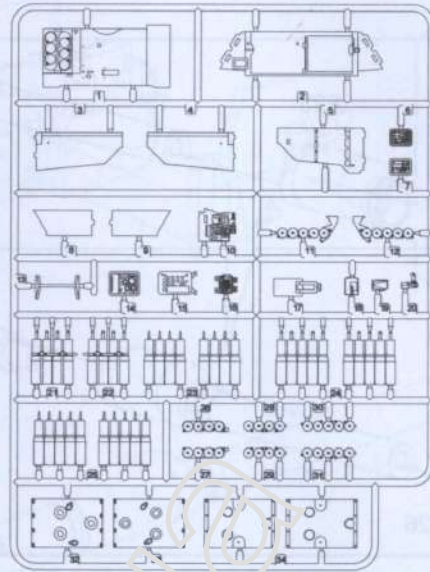
**Lower Hull X1**



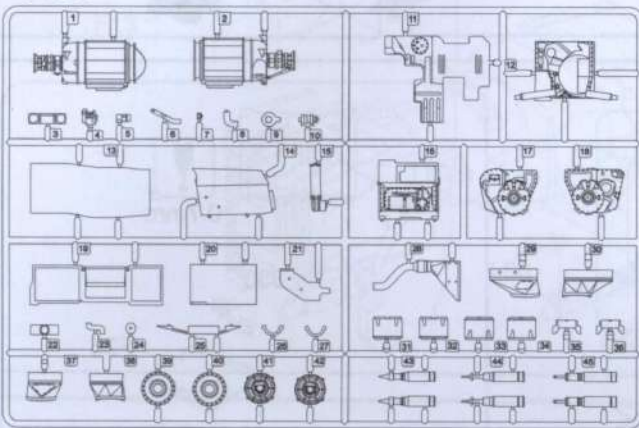
### G X1



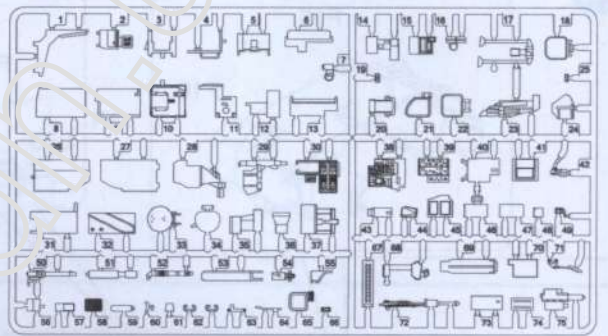
### N X1



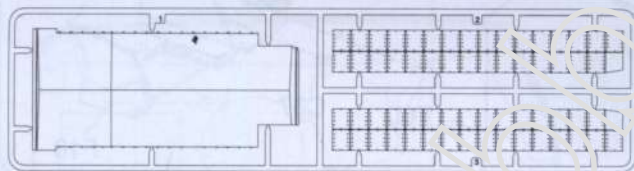
### P X1



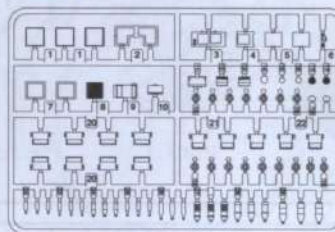
### L X1



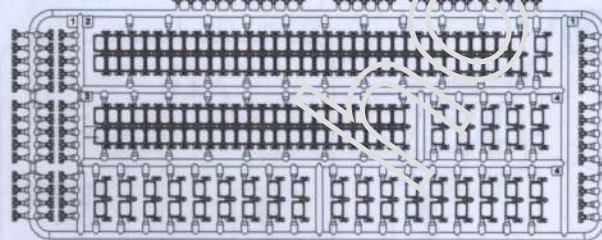
### K X1



### T X1



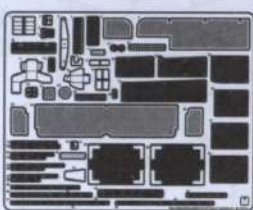
### MX2



### Decal

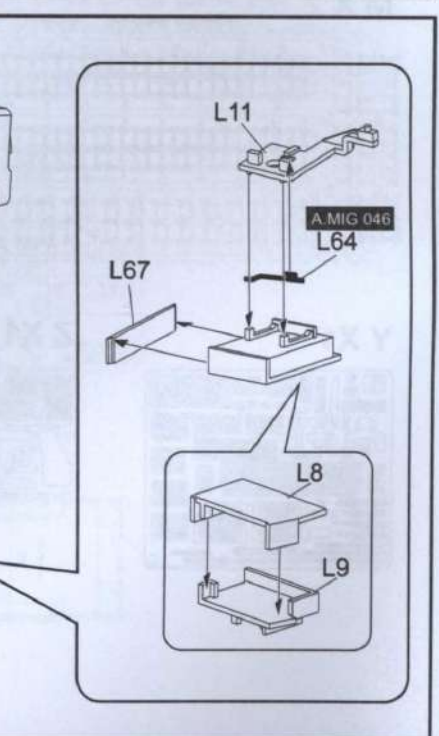
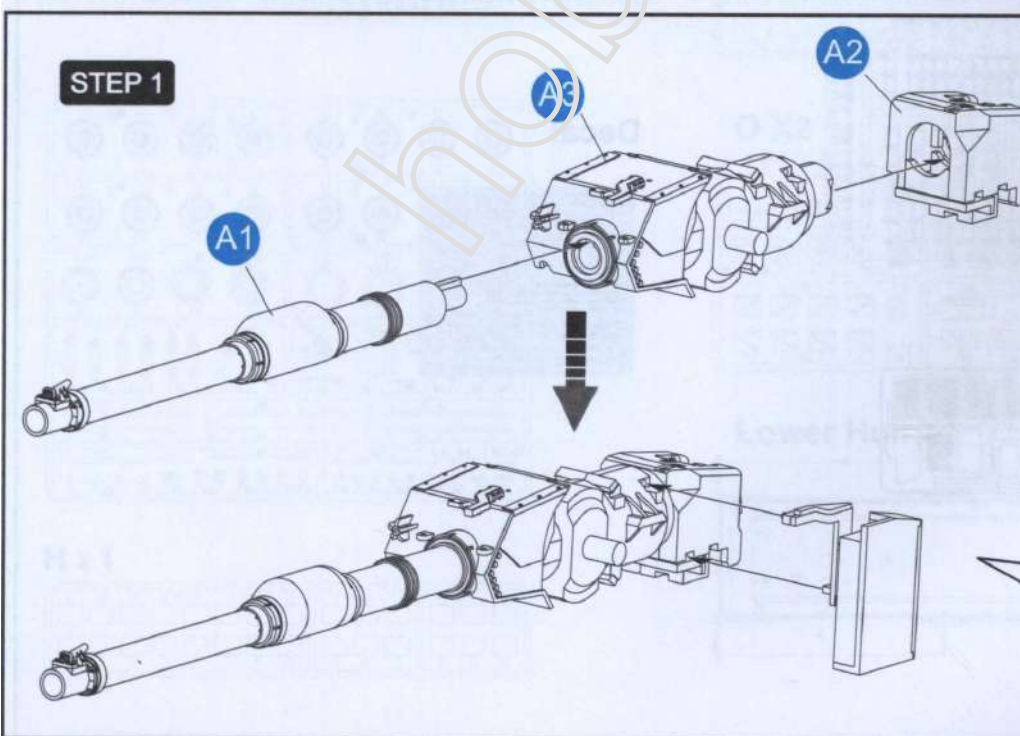
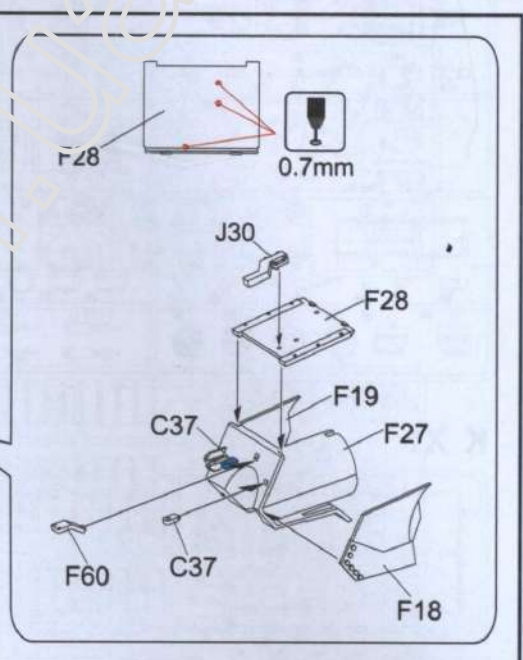
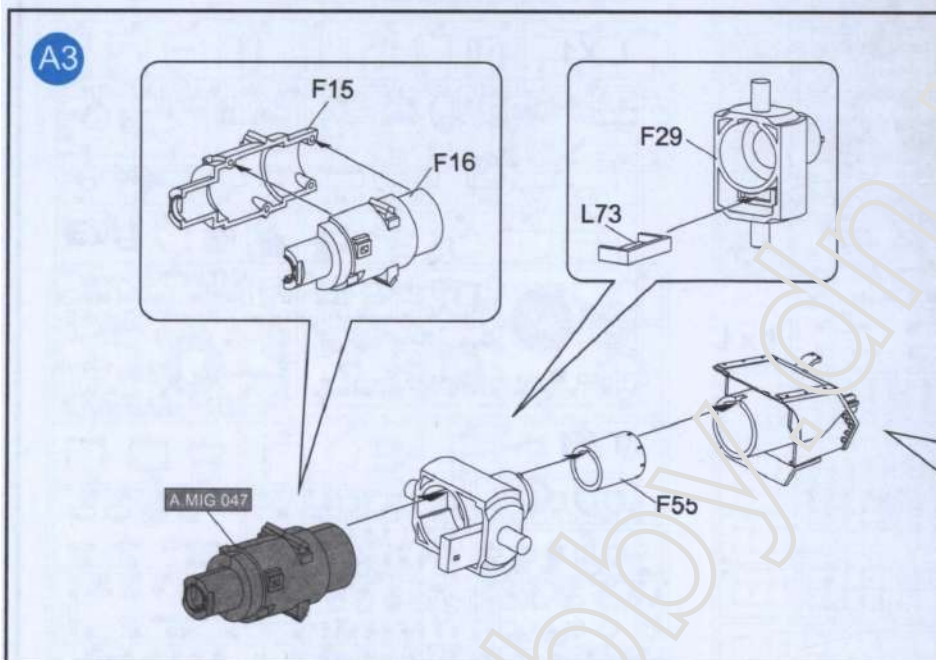
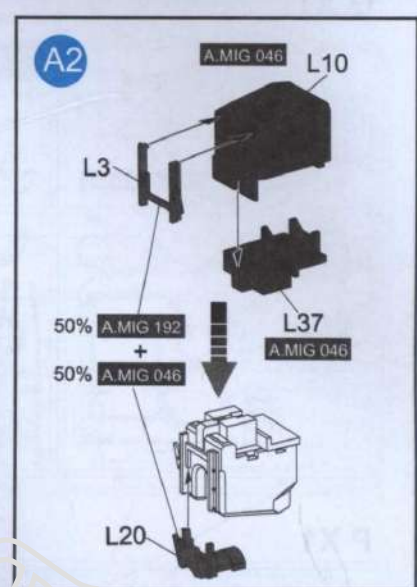
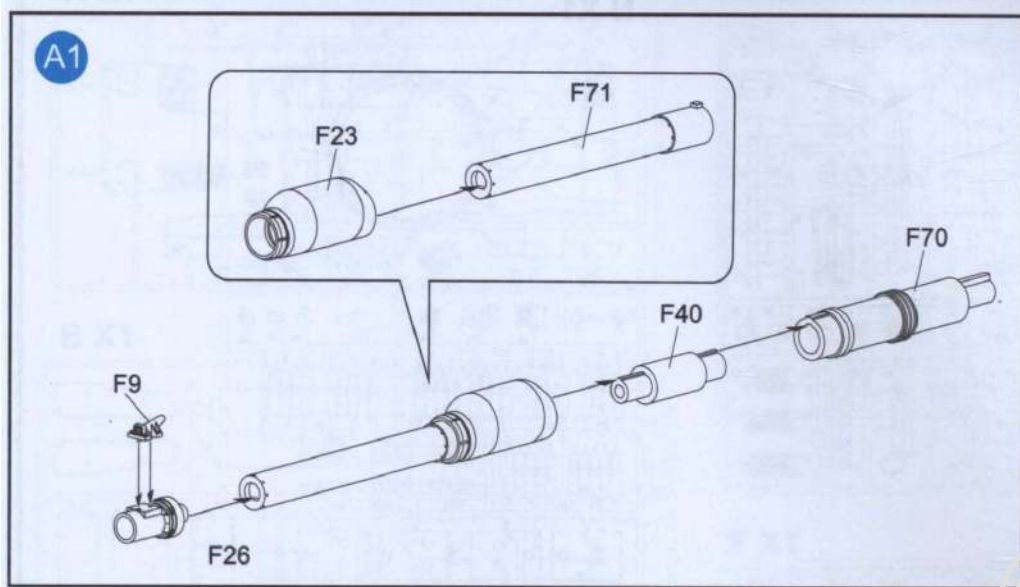


### Y X1

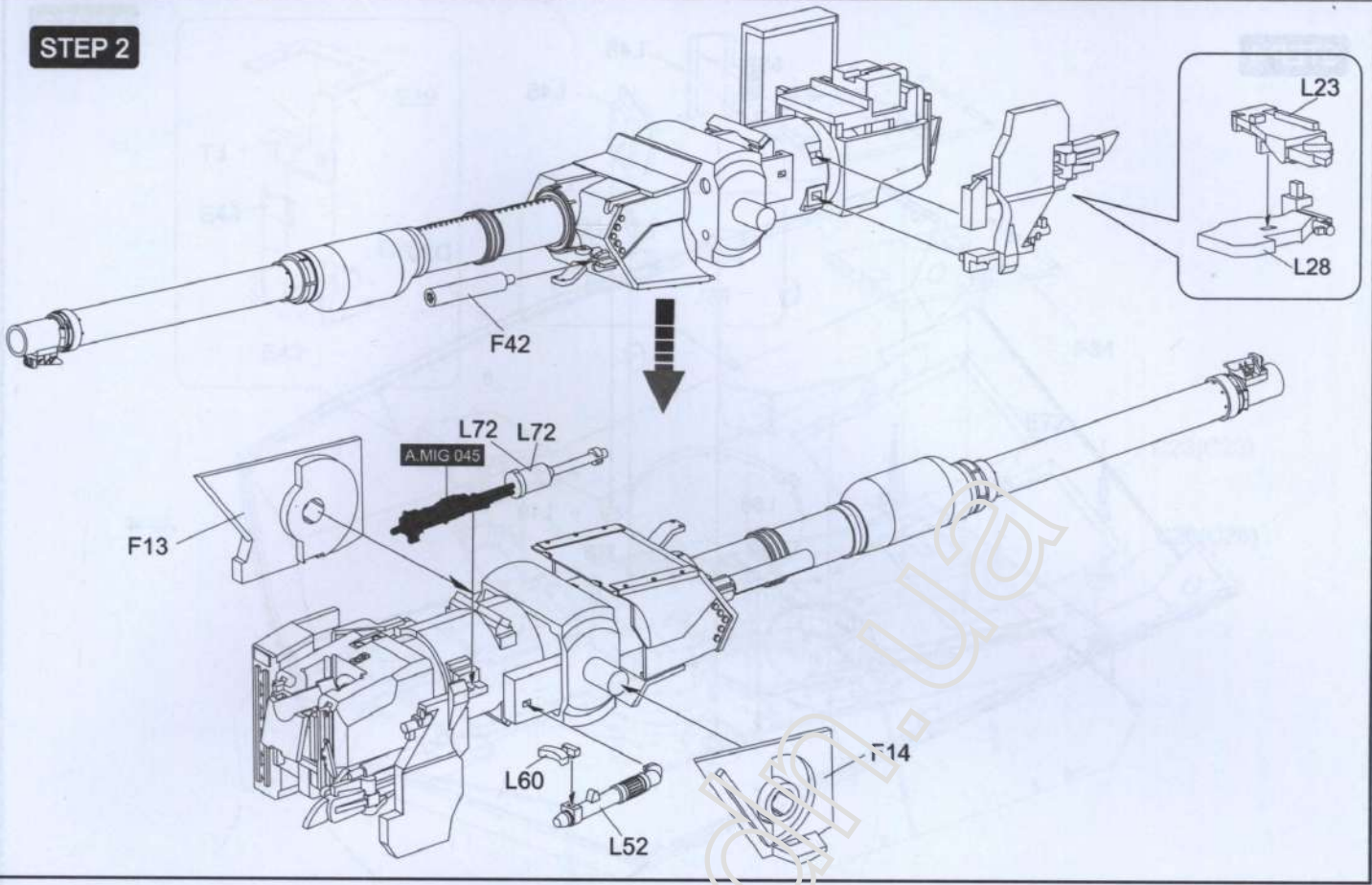


### Z X1

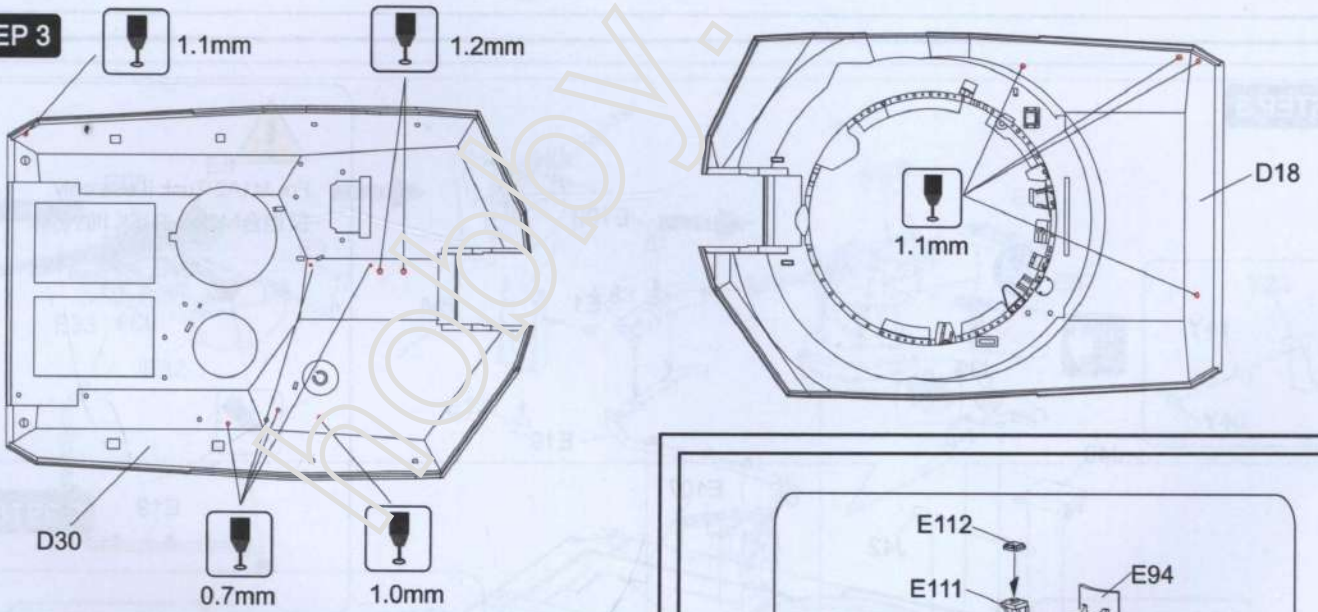




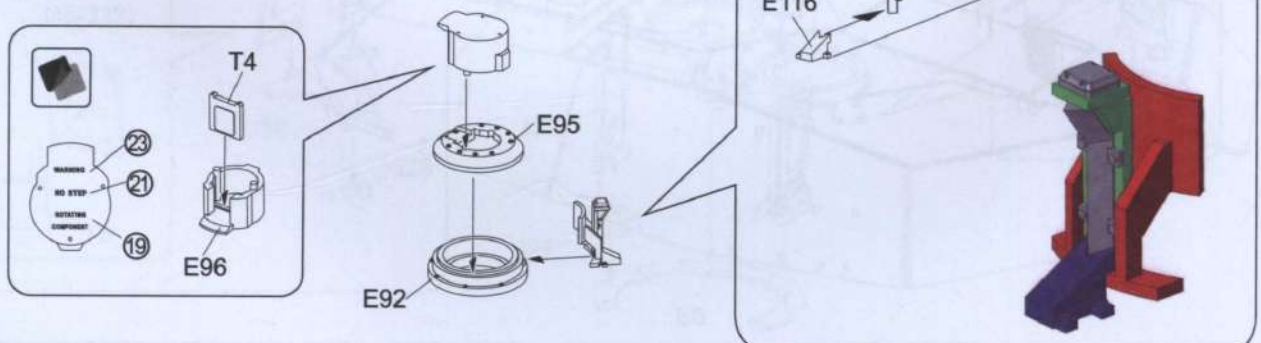
STEP 2



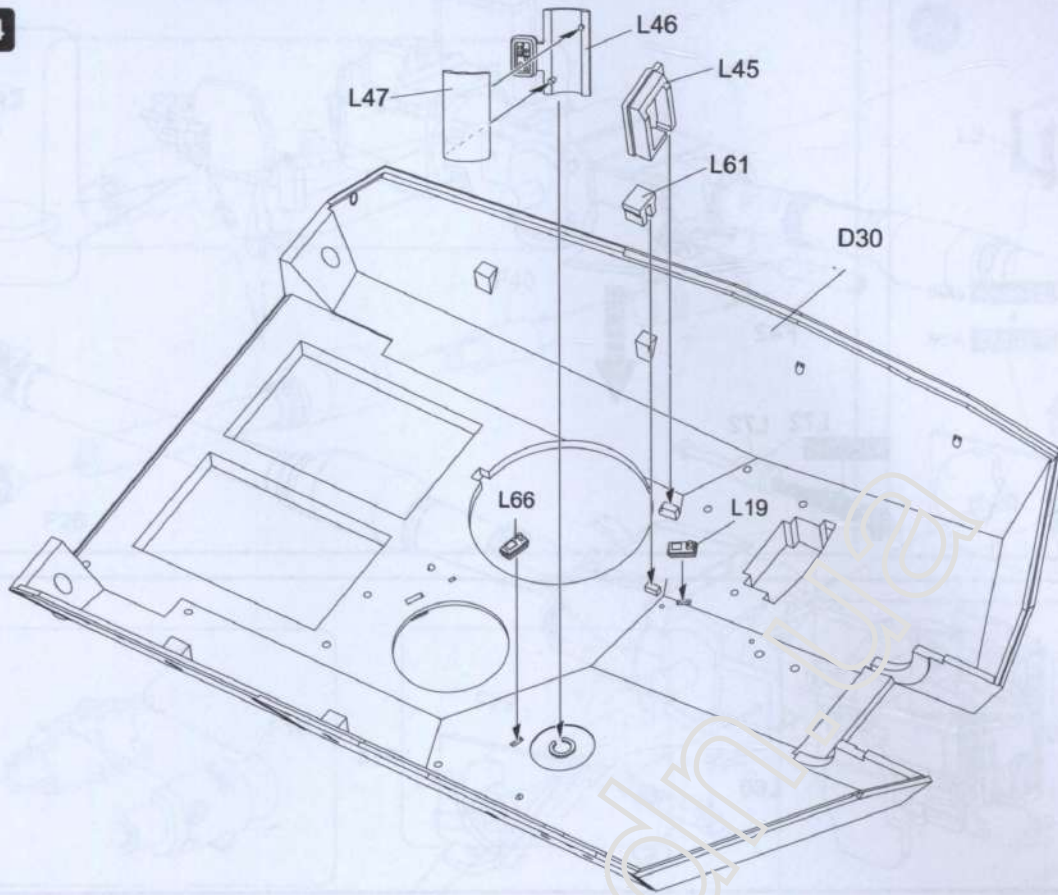
STEP 3



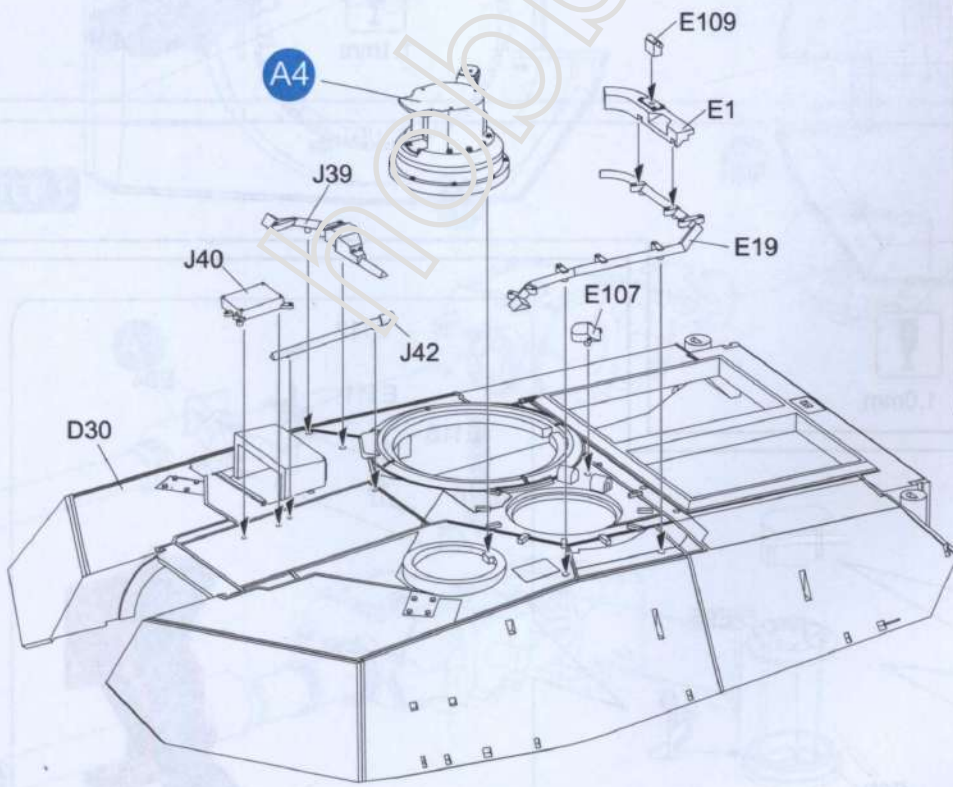
A4



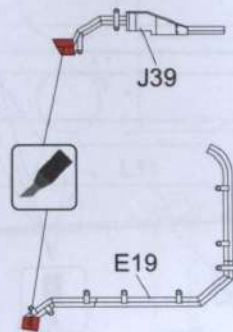
**STEP 4**



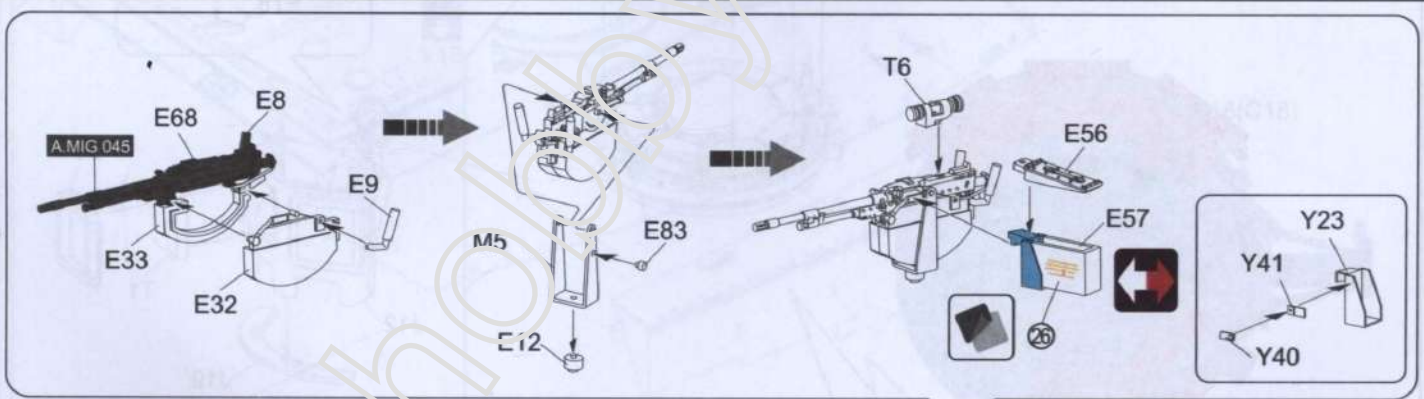
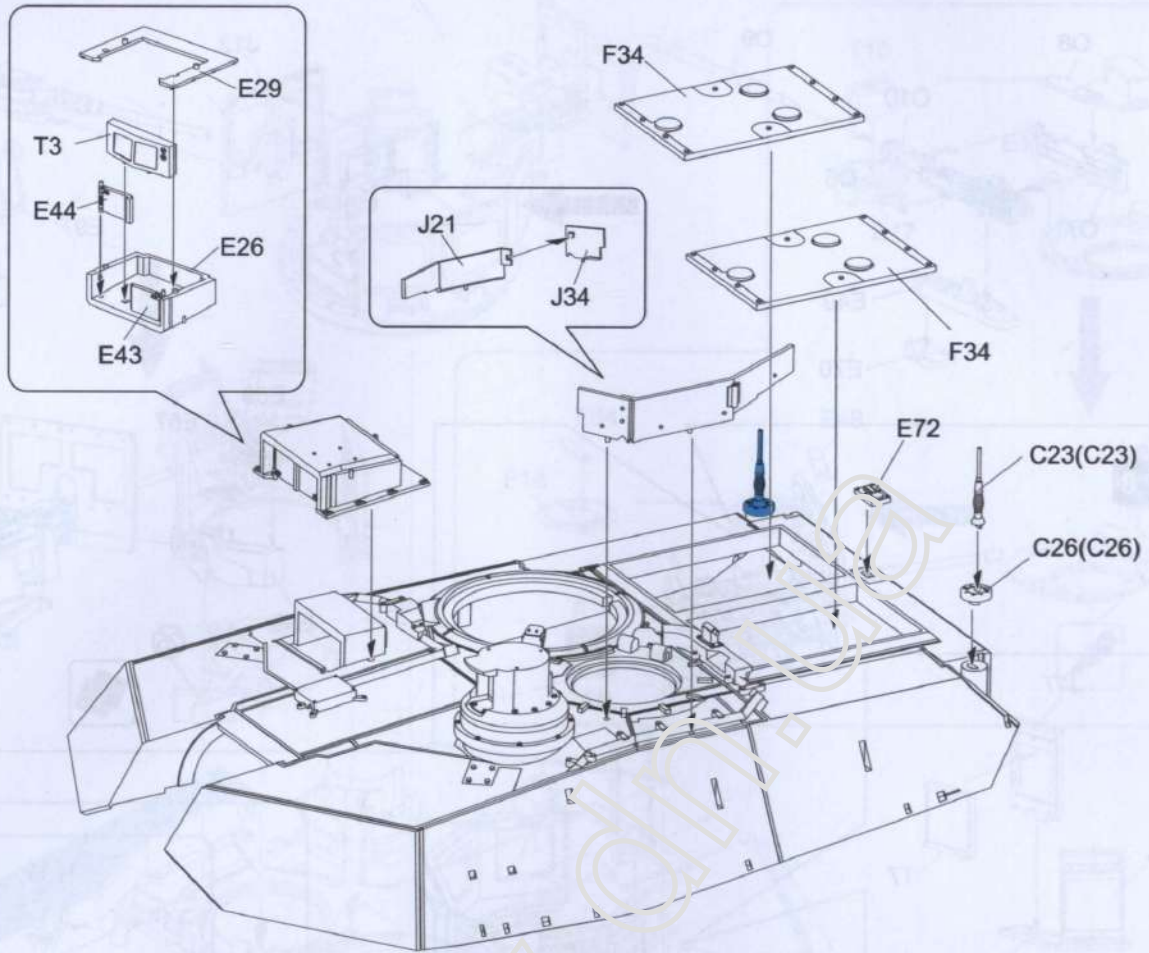
**STEP 5**



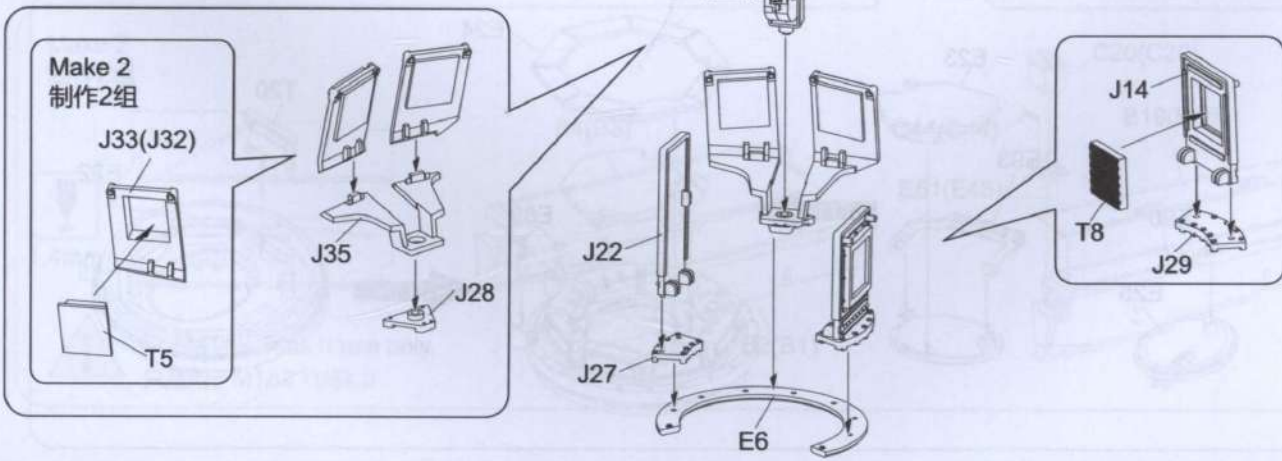
For M1A2 Tusk II use only.  
仅组合M1A2 TUSK II时切除

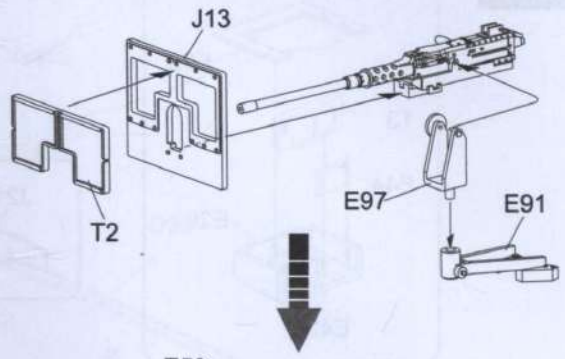
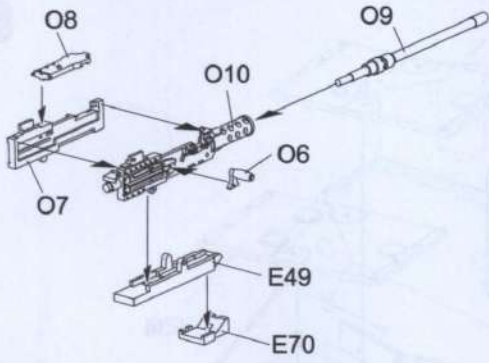


**STEP 6**

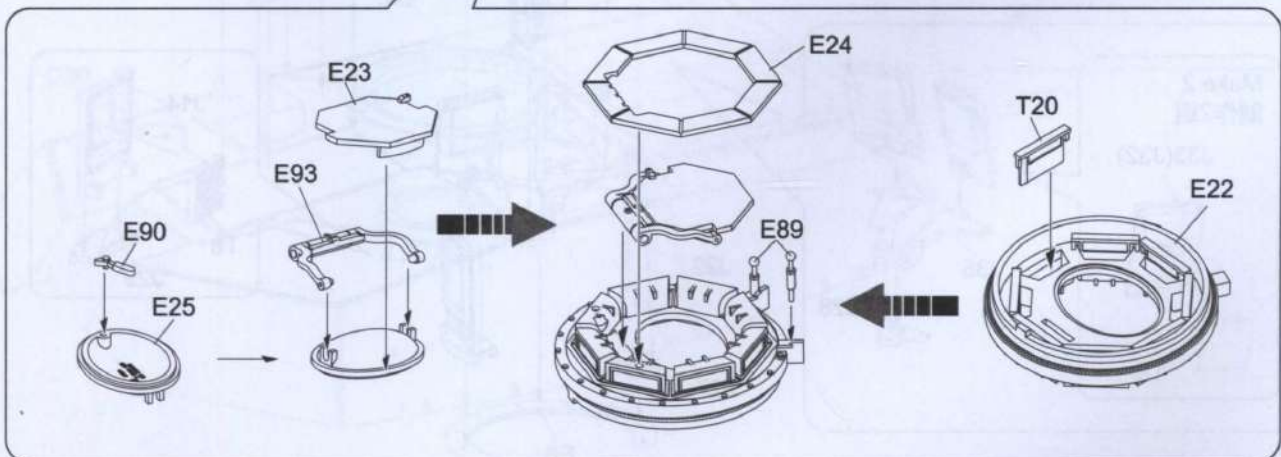
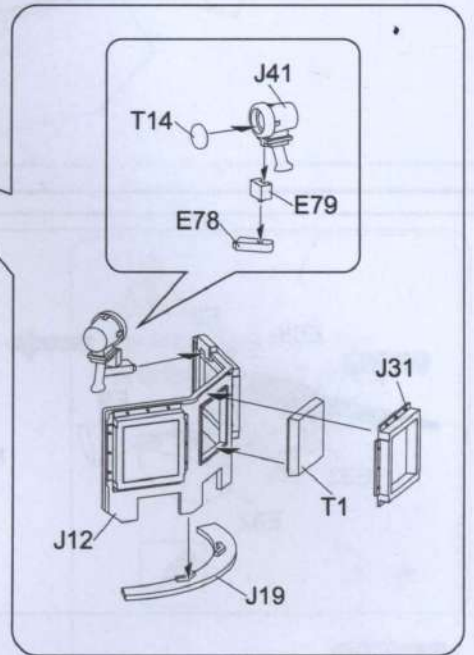
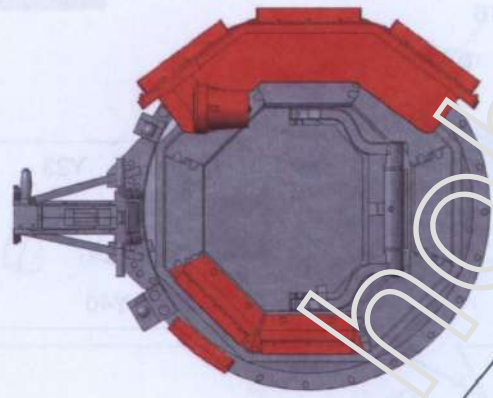
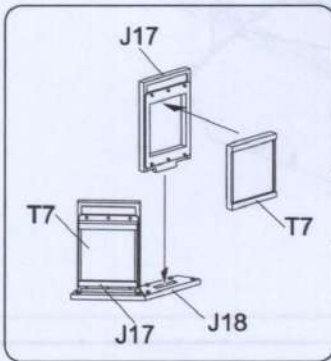
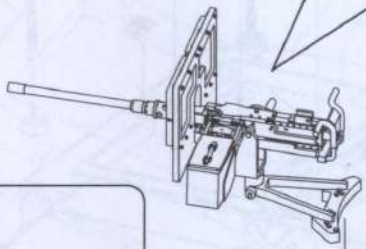


**STEP 7**



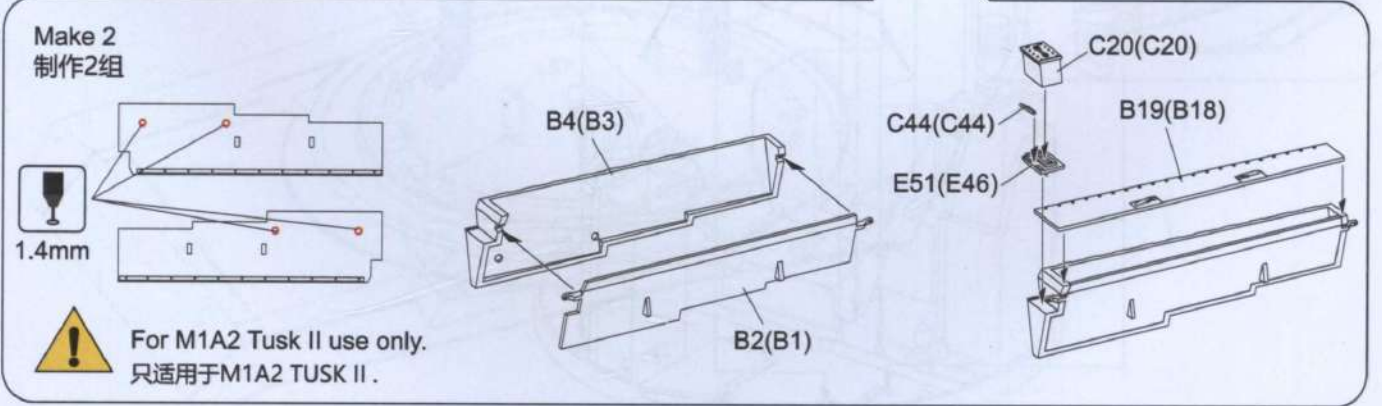
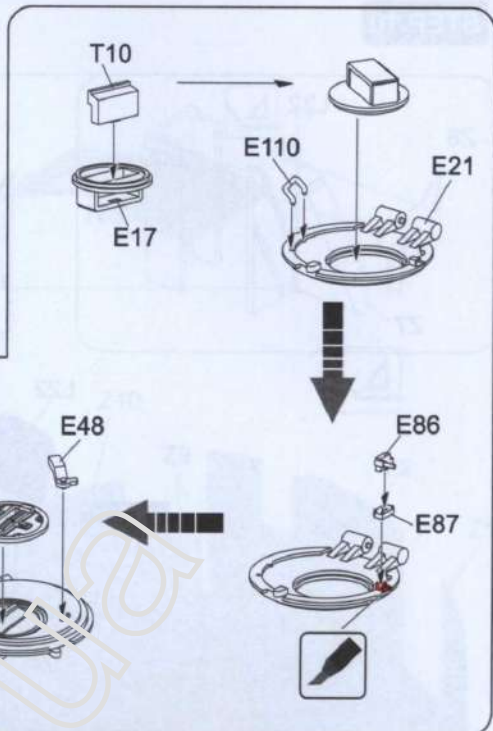
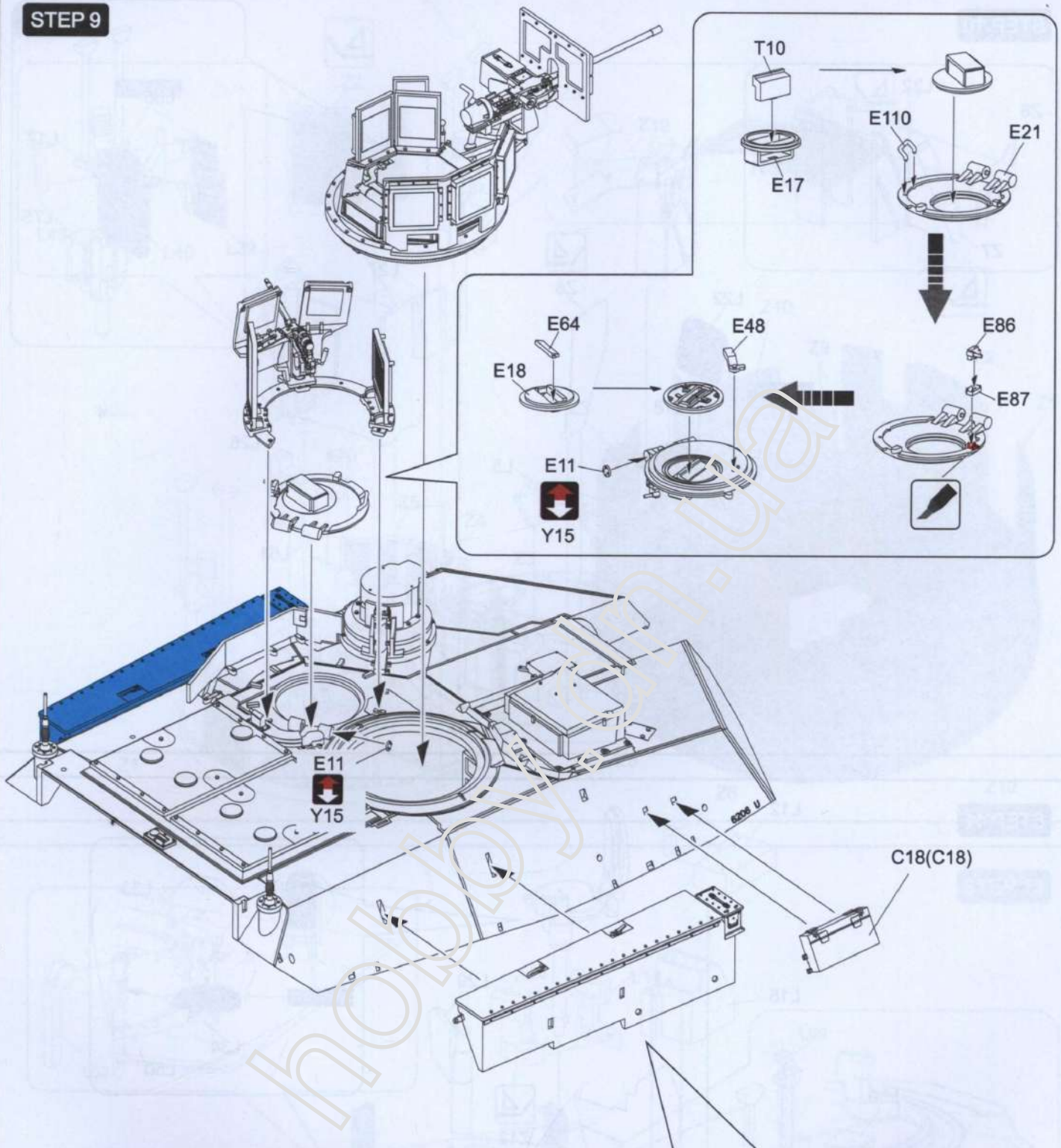


**STEP 8**





**STEP 9**



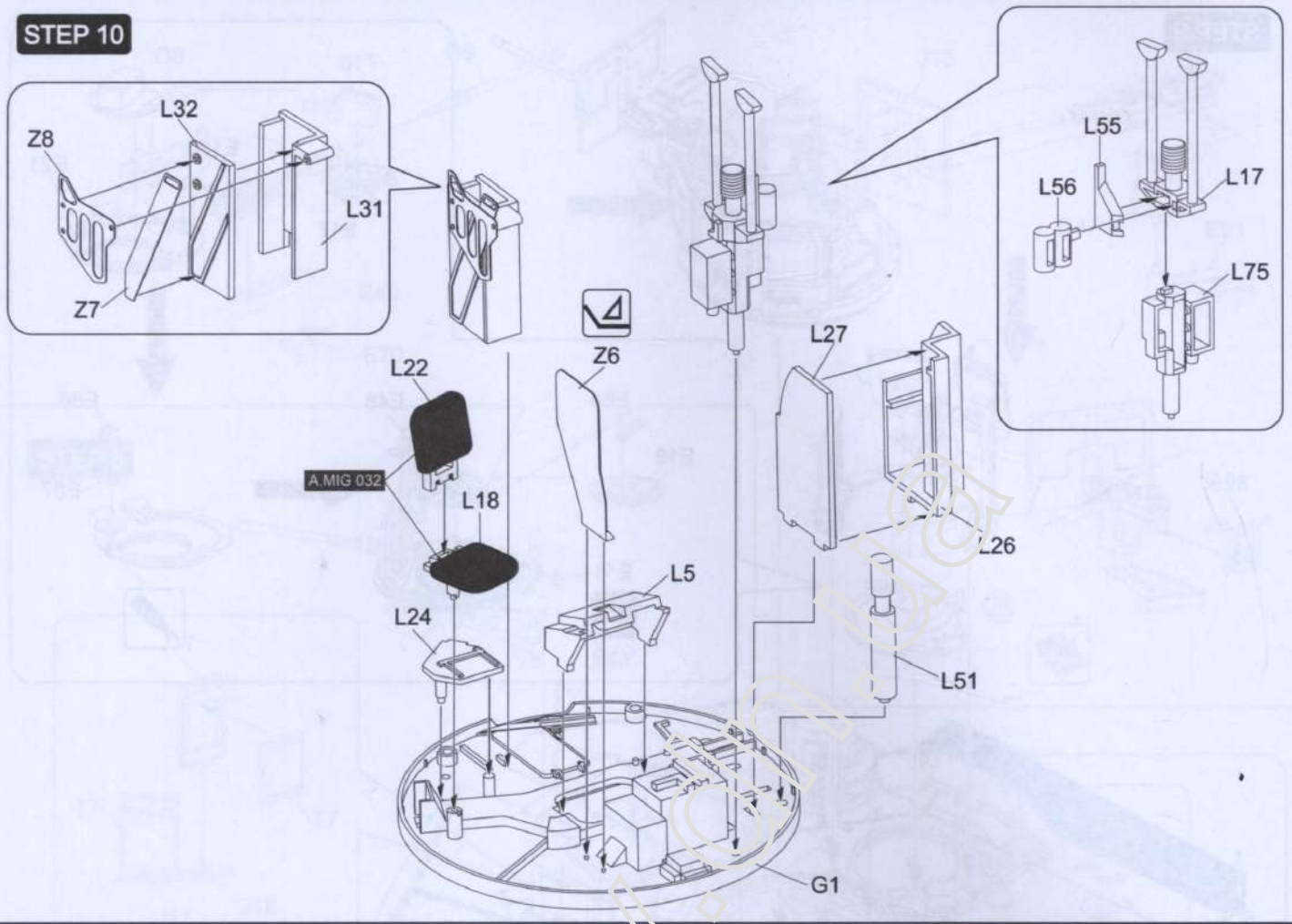
Make 2  
制作2组

1.4mm

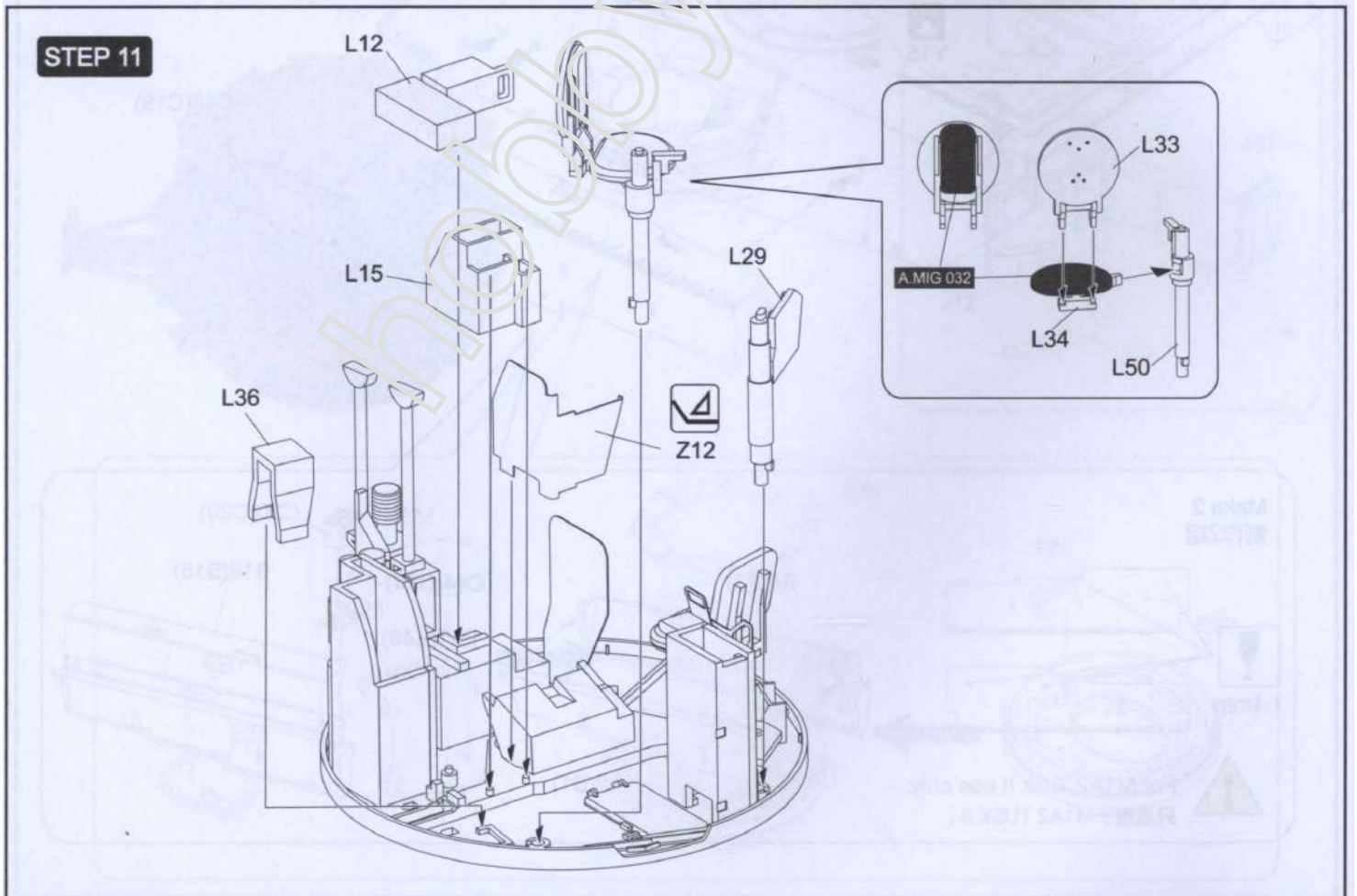


For M1A2 Tusk II use only.  
只适用于M1A2 TUSK II.

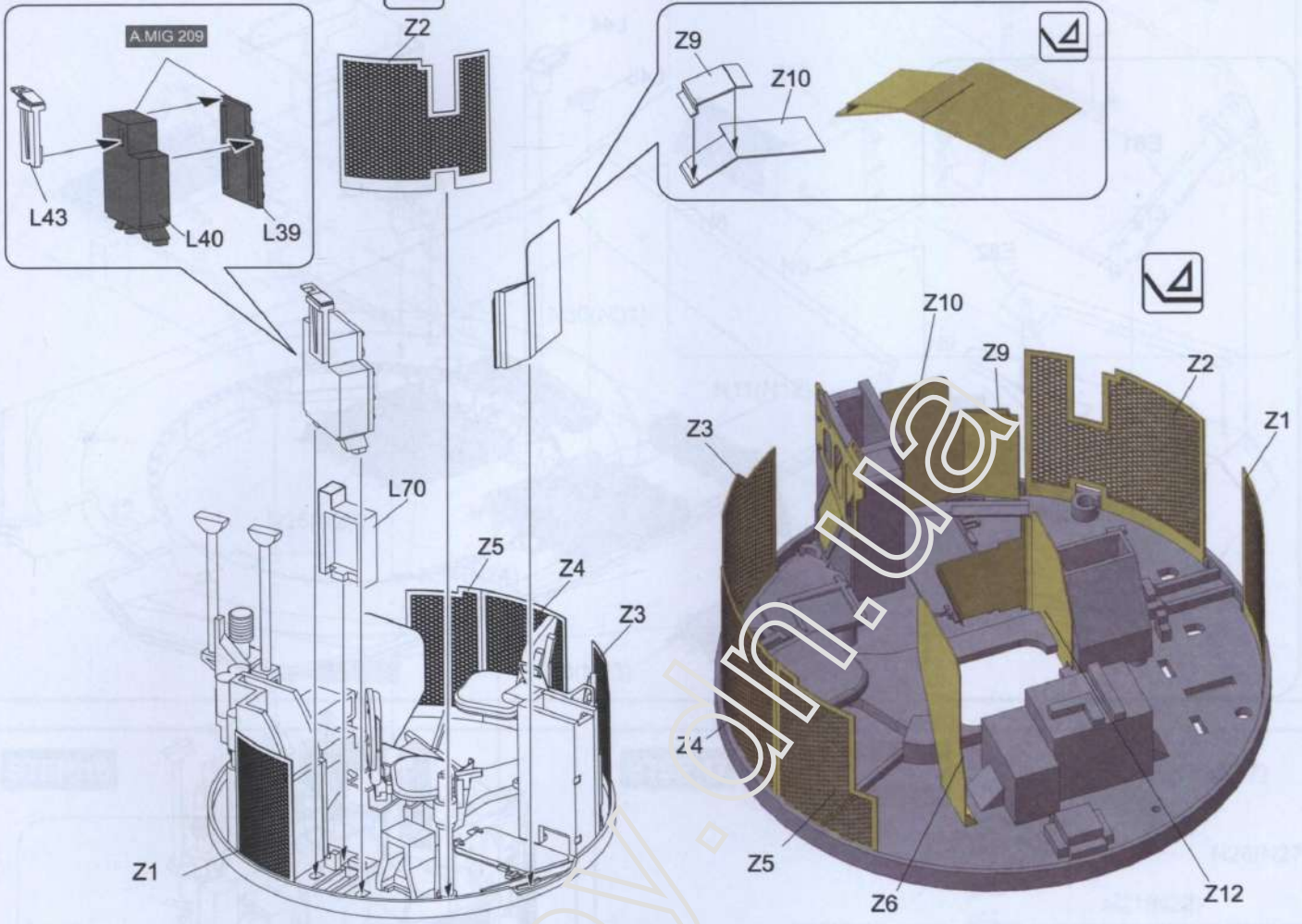
**STEP 10**



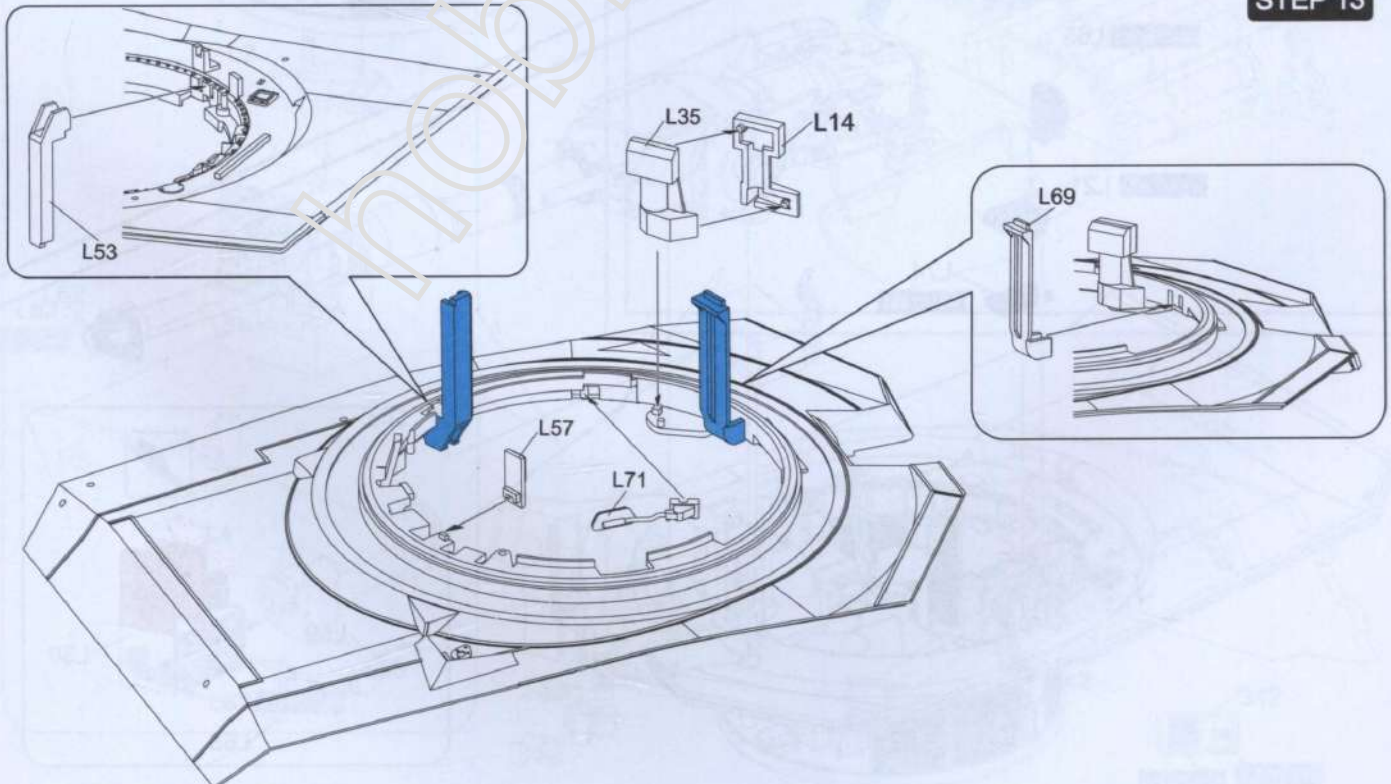
**STEP 11**



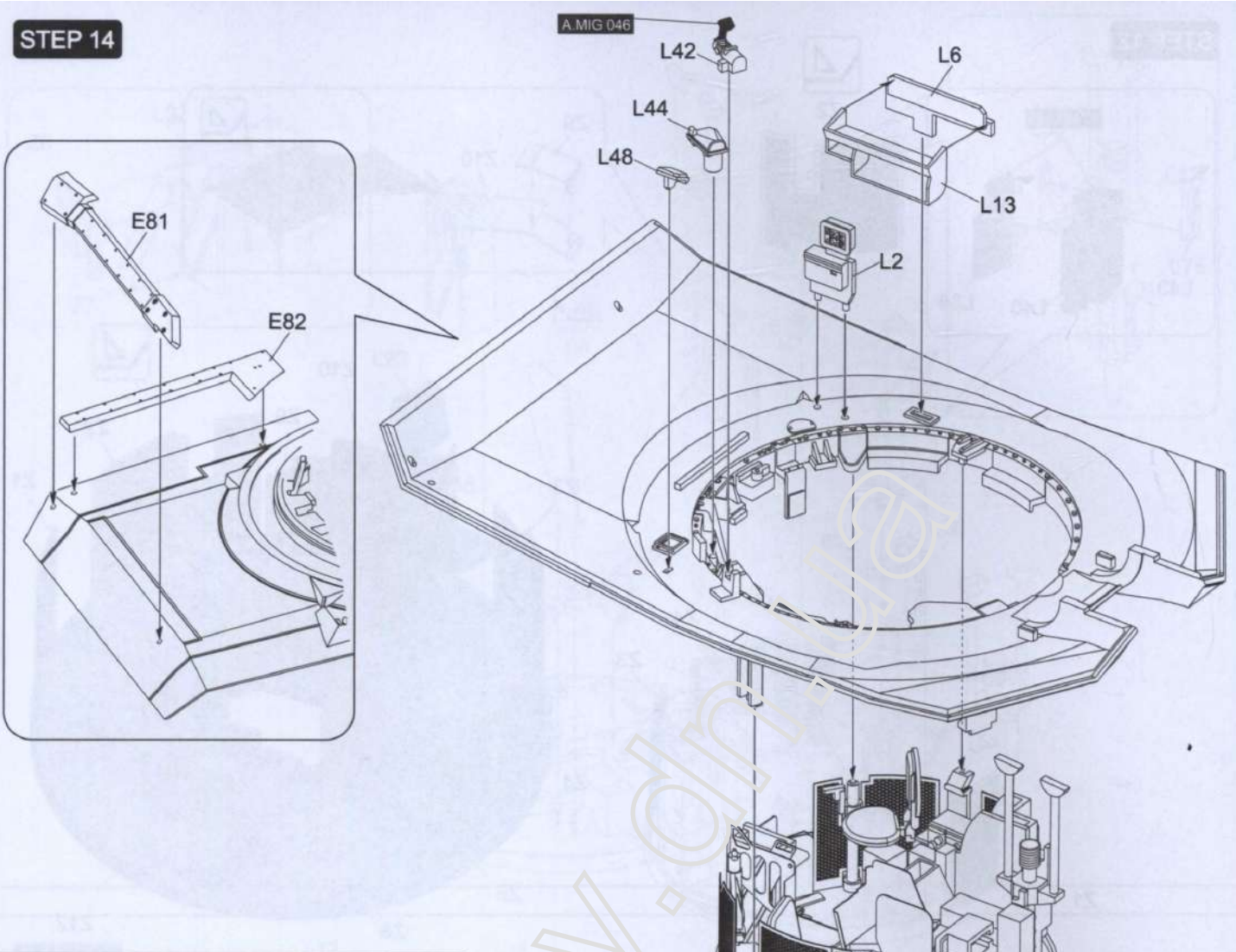
STEP 12



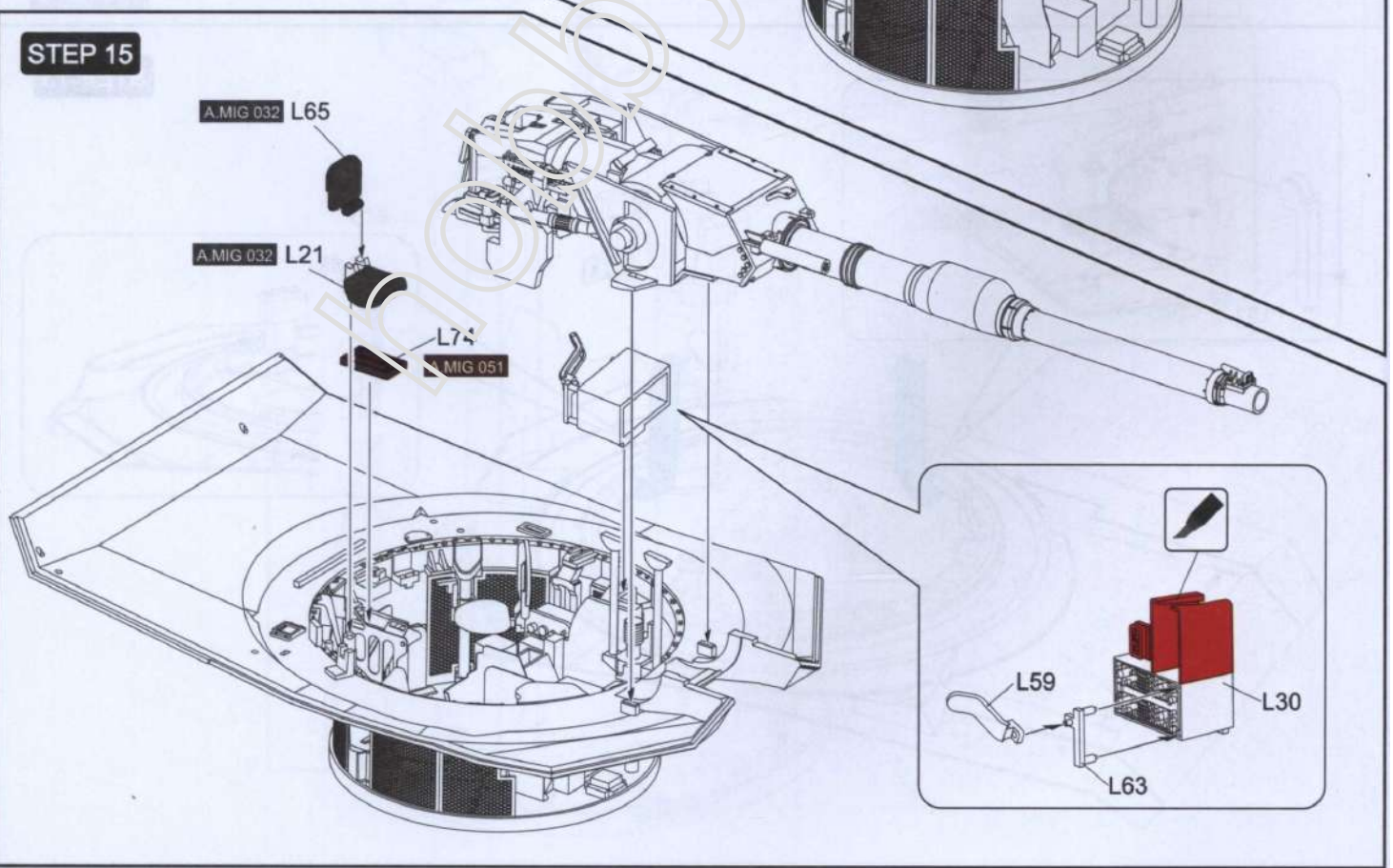
STEP 13



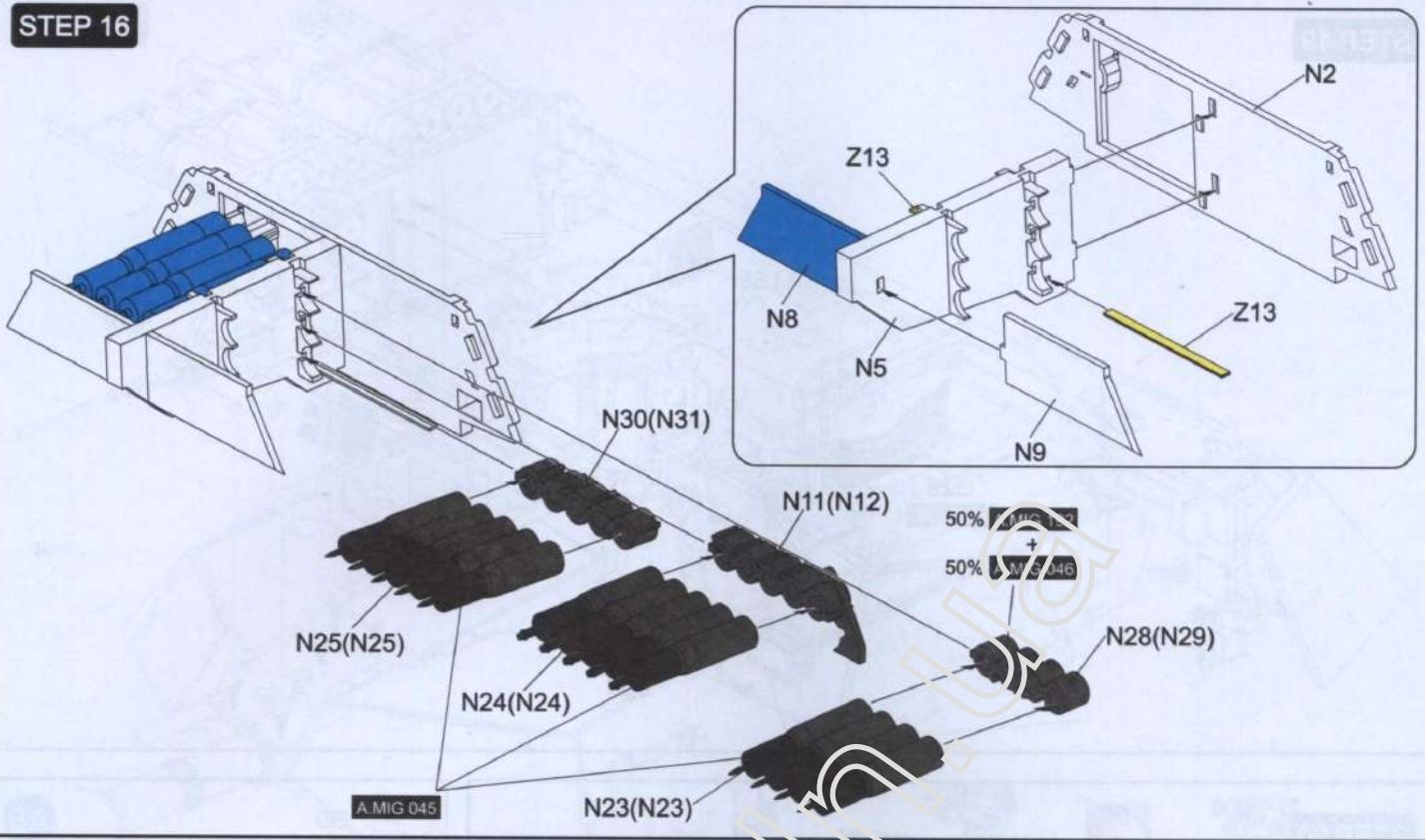
**STEP 14**



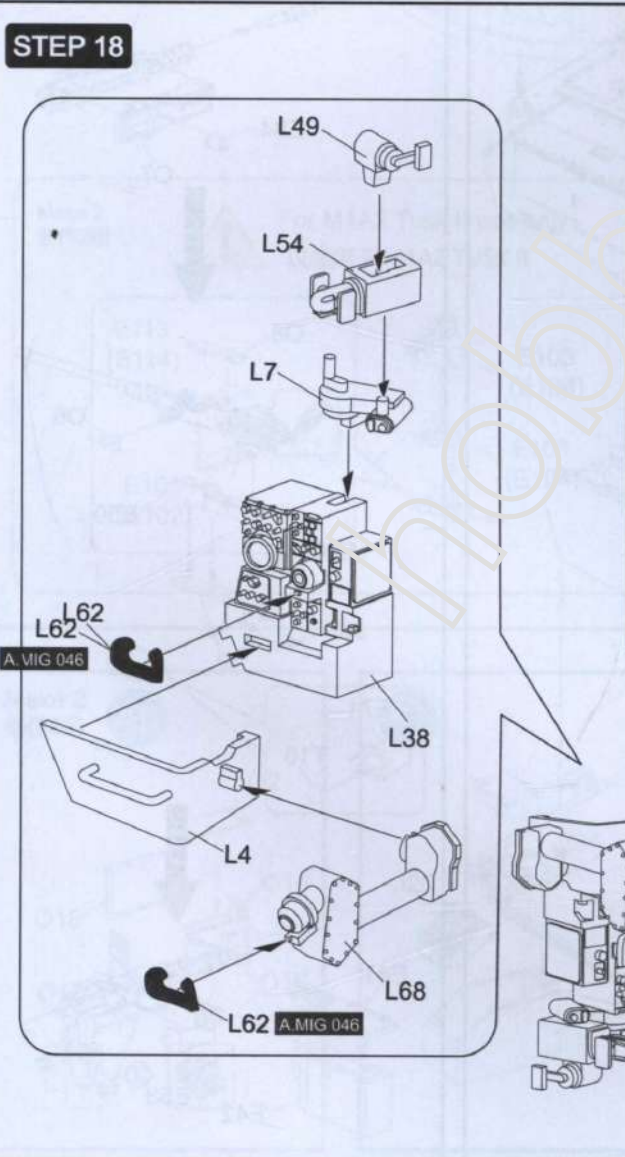
**STEP 15**



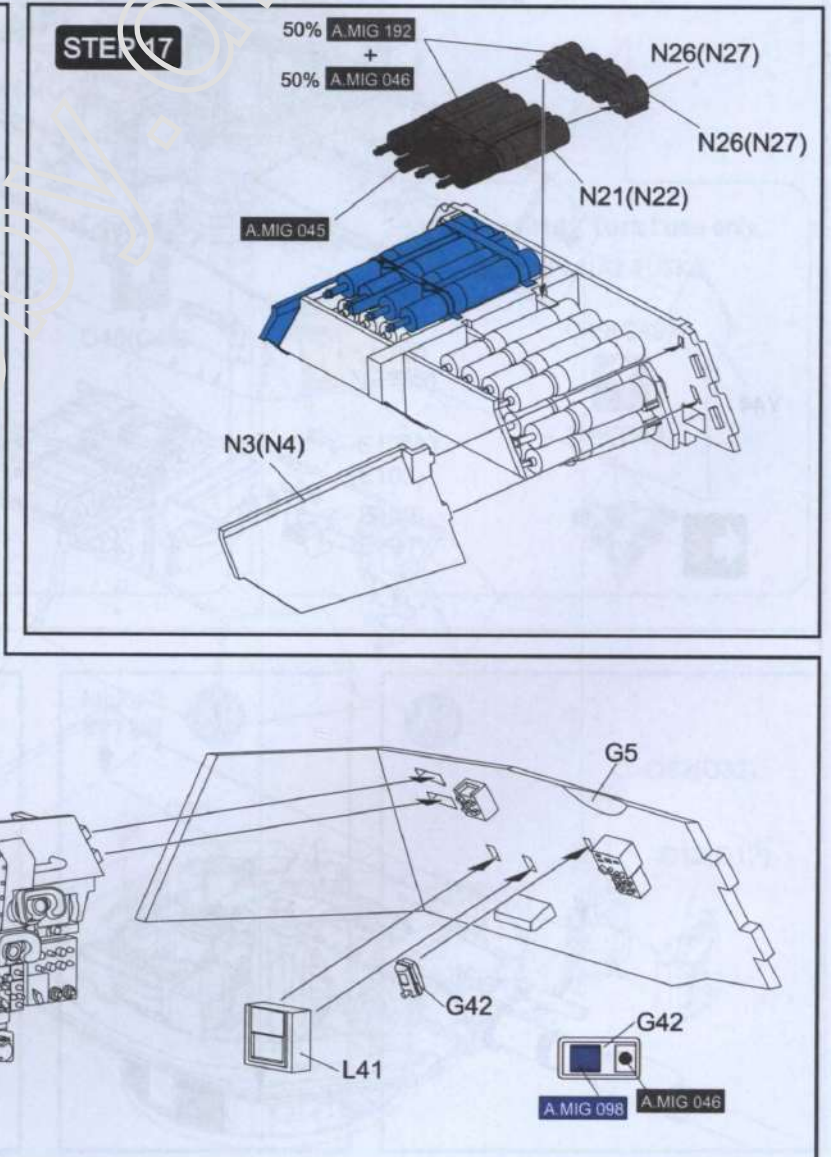
**STEP 16**



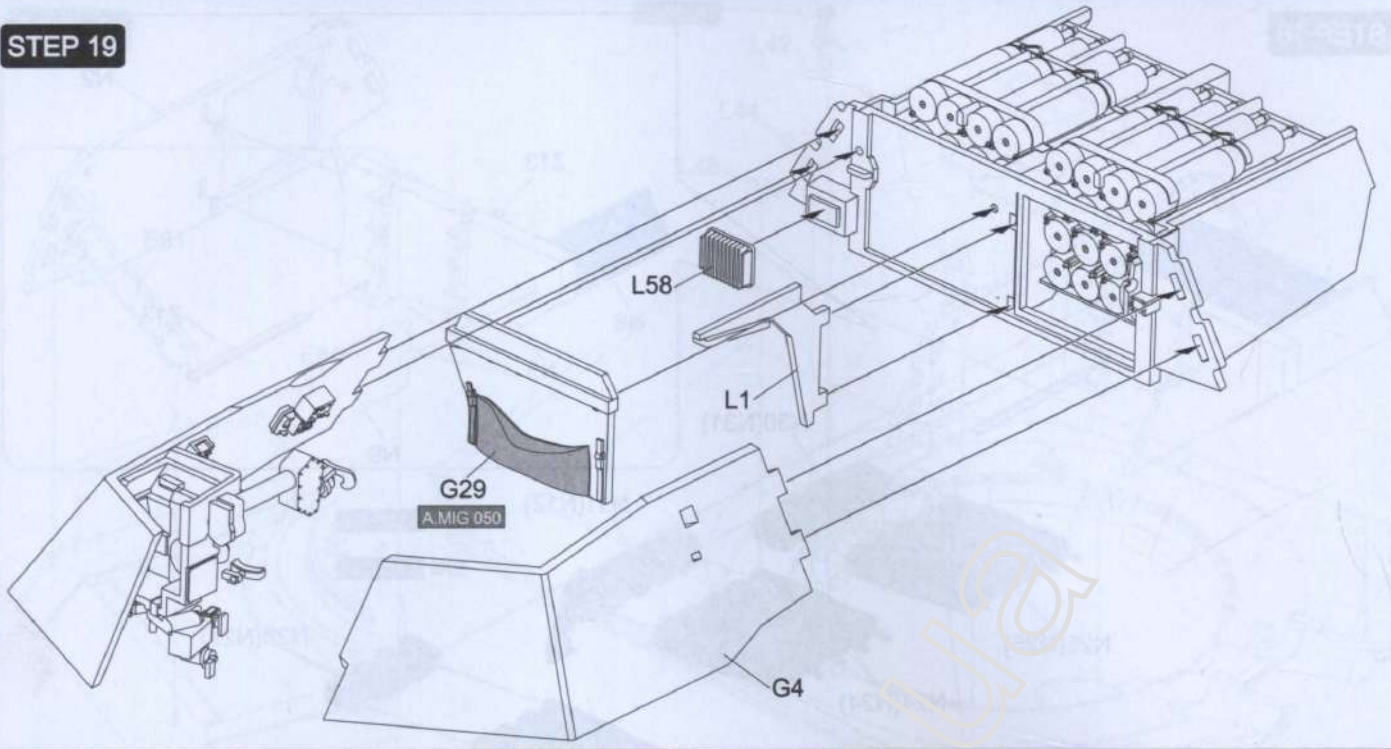
**STEP 18**



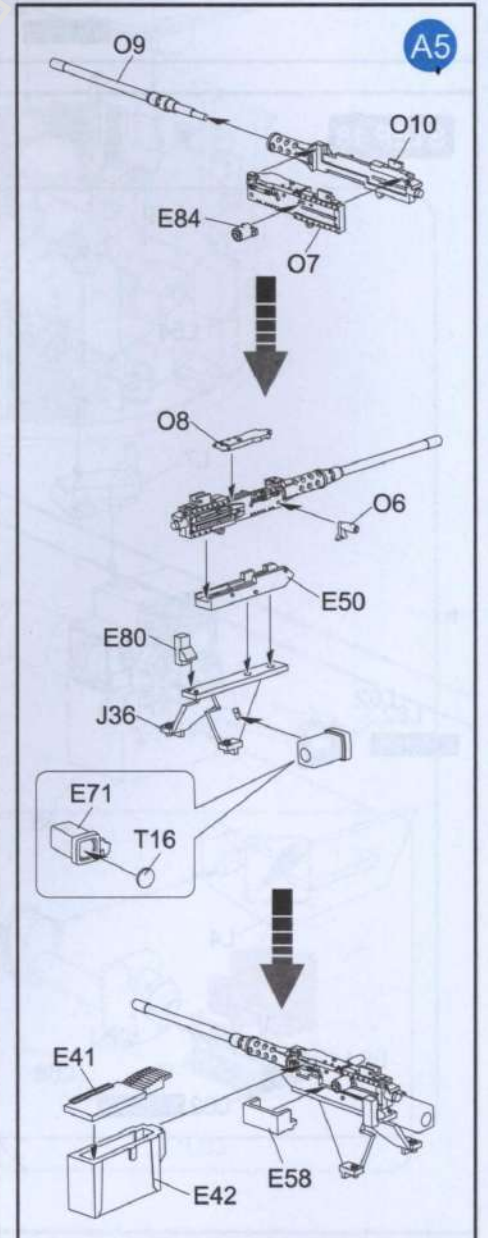
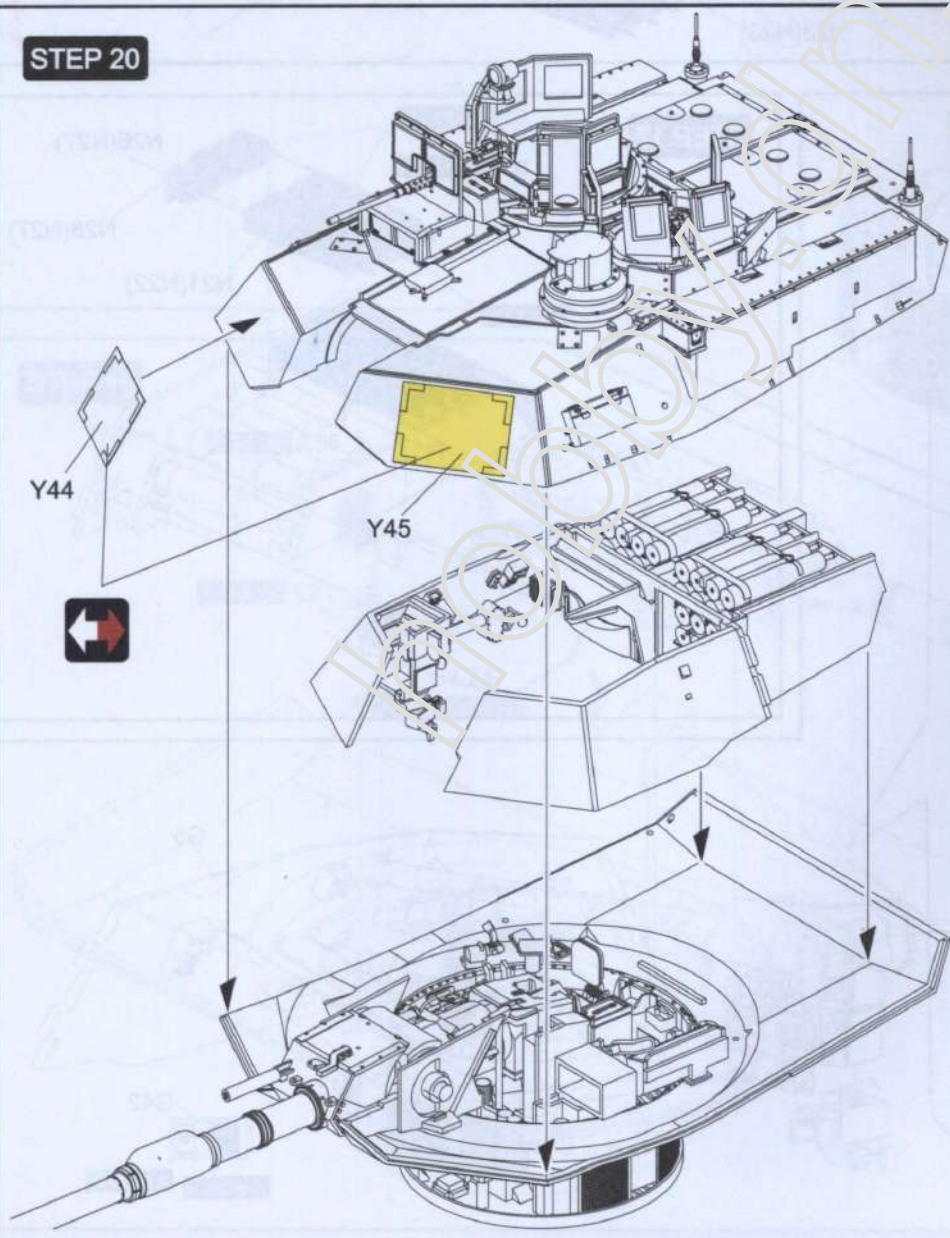
**STEP 17**



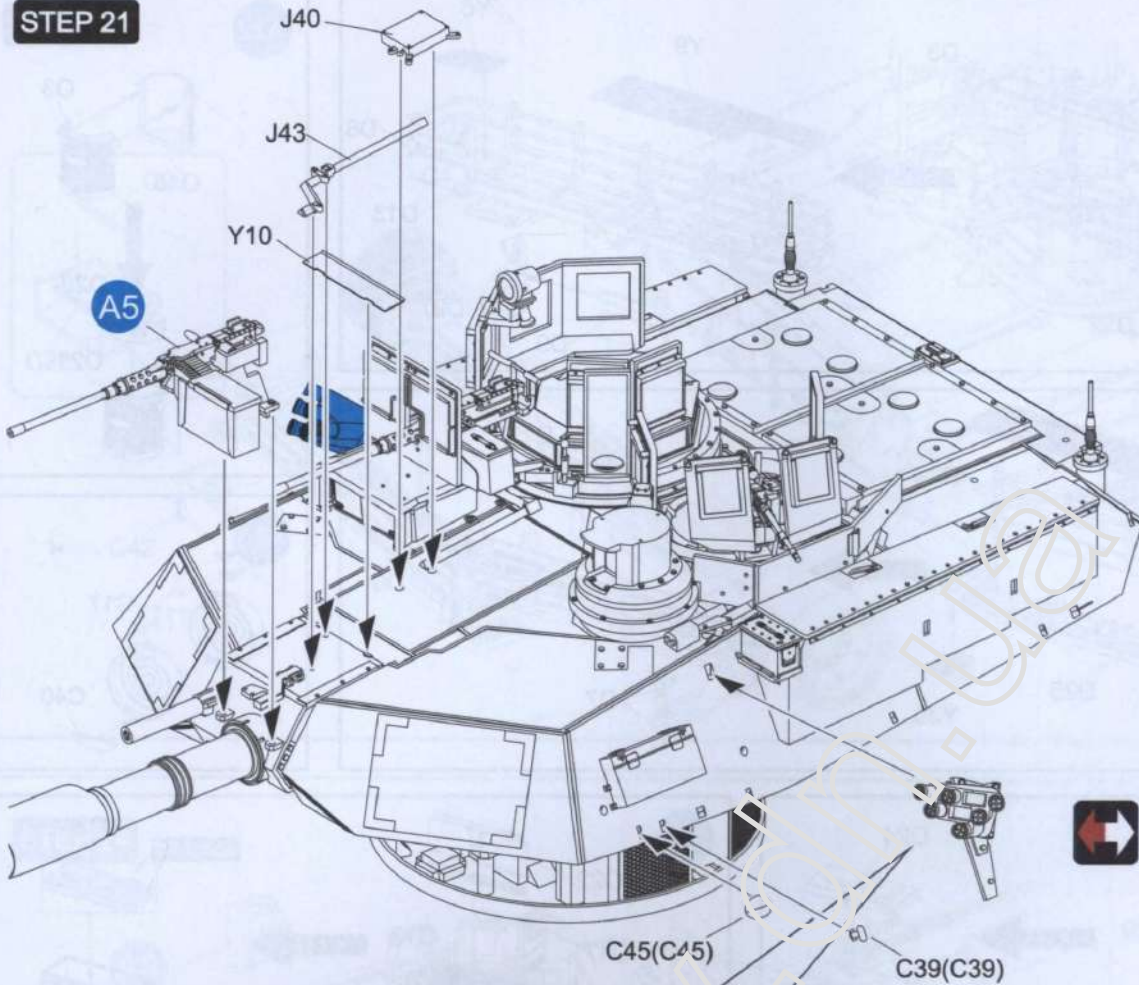
STEP 19



STEP 20



**STEP 21**



Make 2  
制作2组

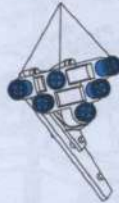


For M1A2 Tusk II use only.  
仅适用于 M1A2 TUSK II

C49(C49)

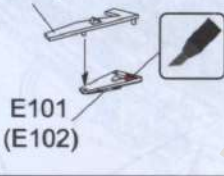


C48(C48)



E113  
(E114)

E101  
(E102)



E105  
(E106)

E103  
(E104)

Make 2  
制作2组



For M1A2 Tusk I use only.  
仅适用于 M1A2 TUSK I

C49(C49)



C48(C48)



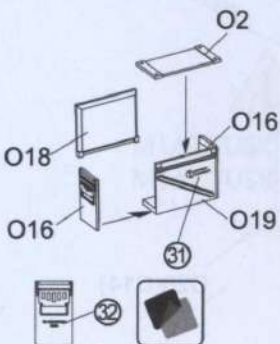
E106  
(E105)

E104  
(E103)

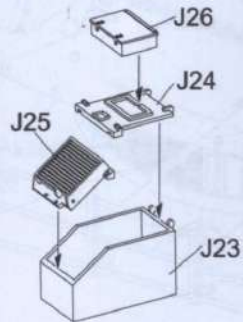
E102  
(E101)

Make 2  
制作2组

**A6**



**A7**

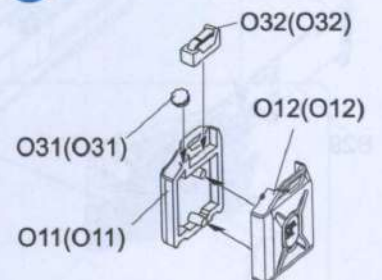


Make 2  
制作2组

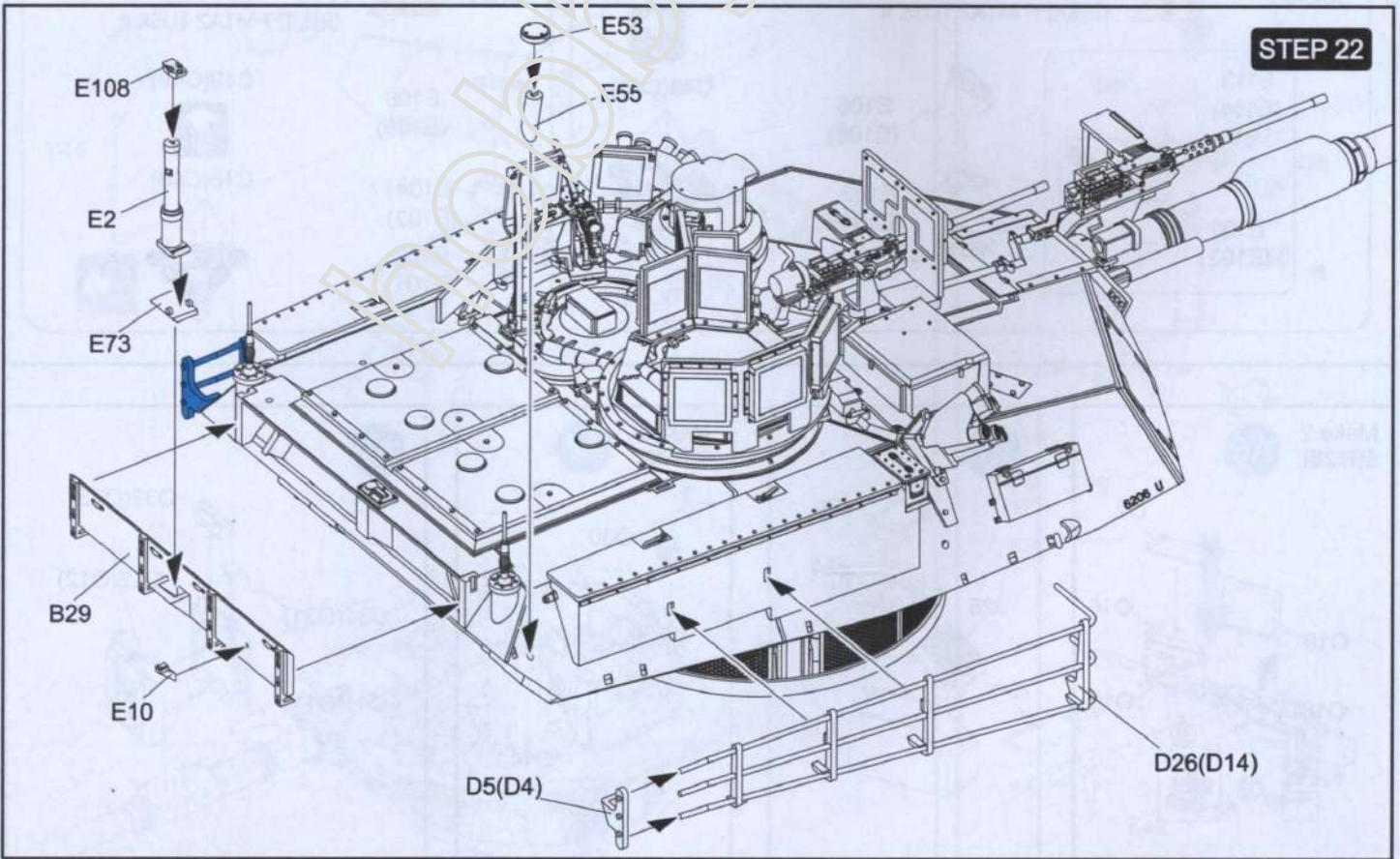
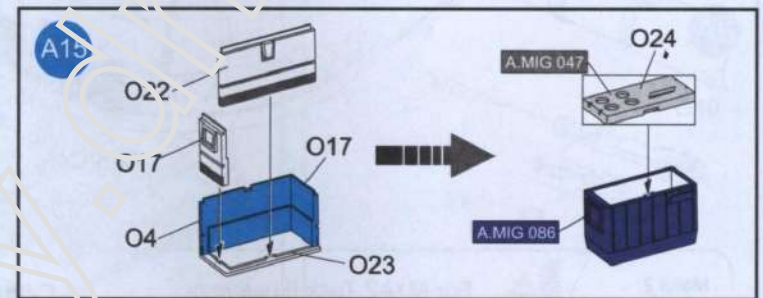
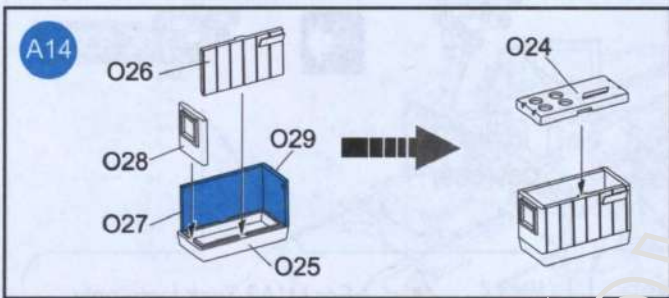
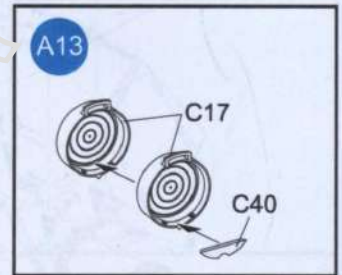
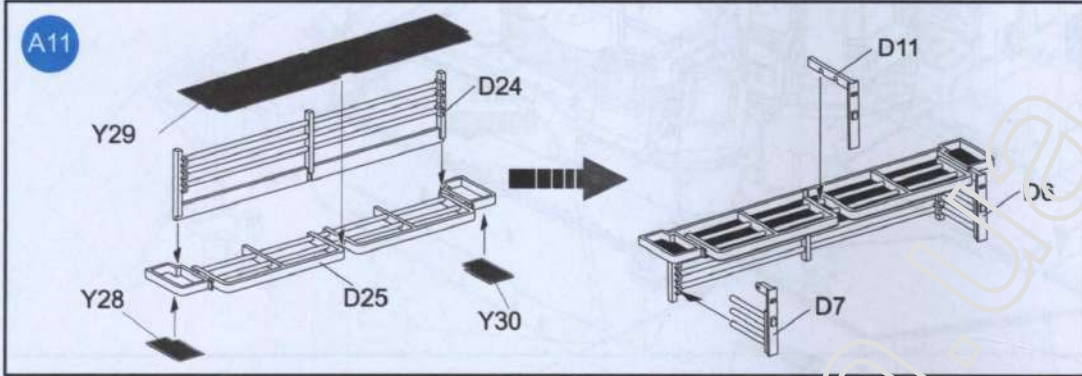
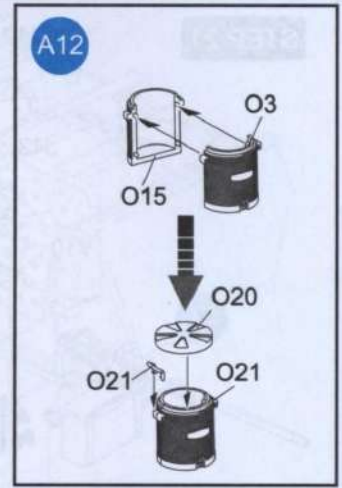
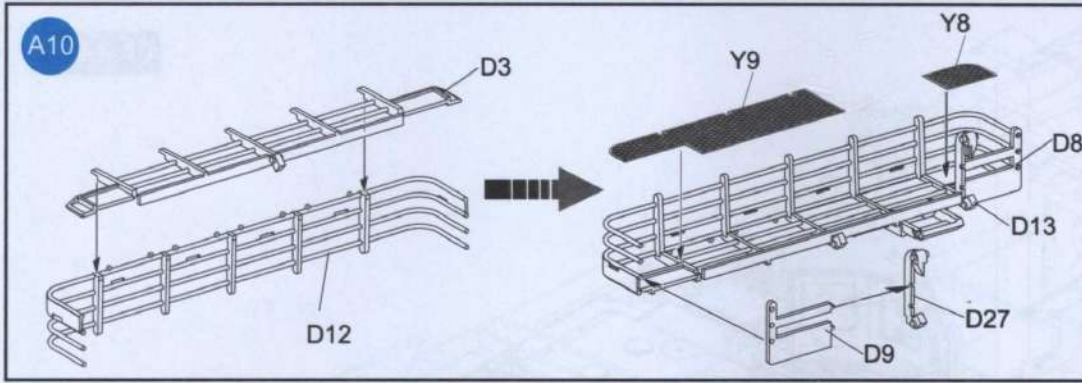
**A8**



**A9**

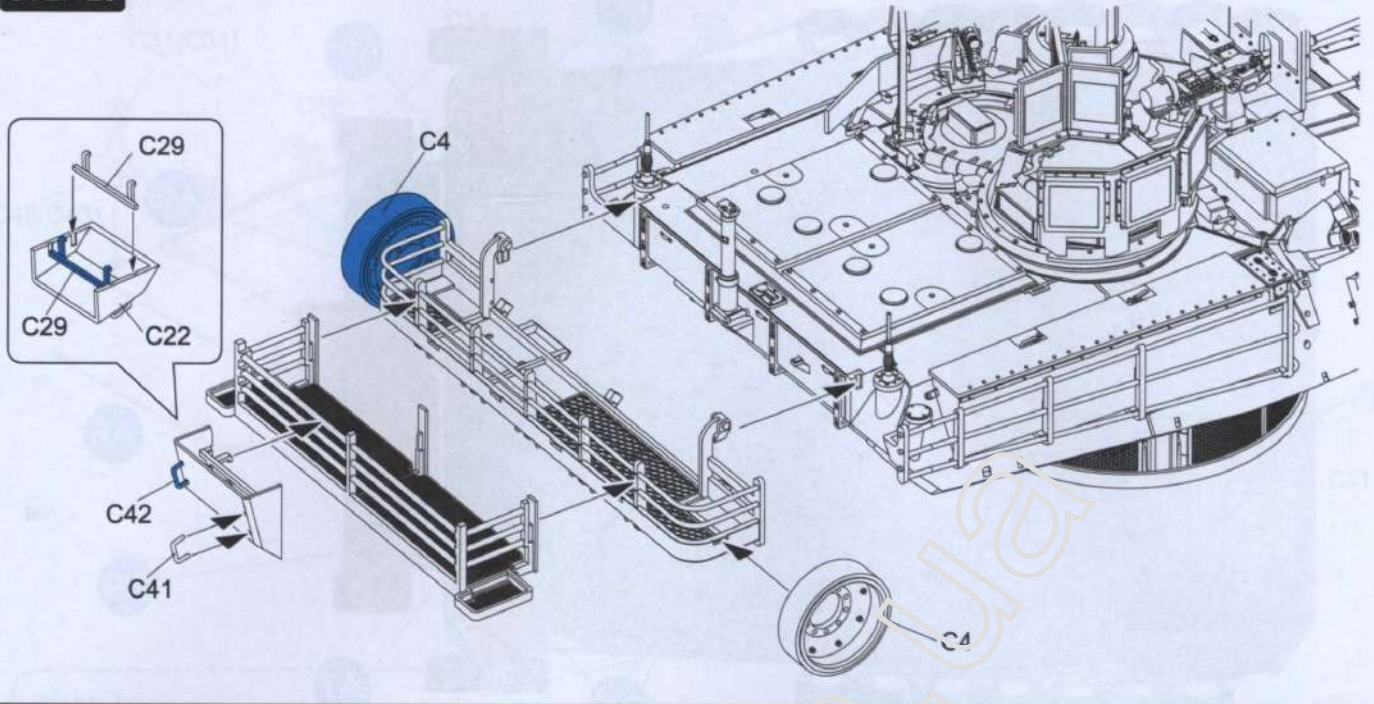


M1A2 TUSK I / TUSK II Turret Assembly • M1A2 TUSK I / TUSK II 炮塔組合

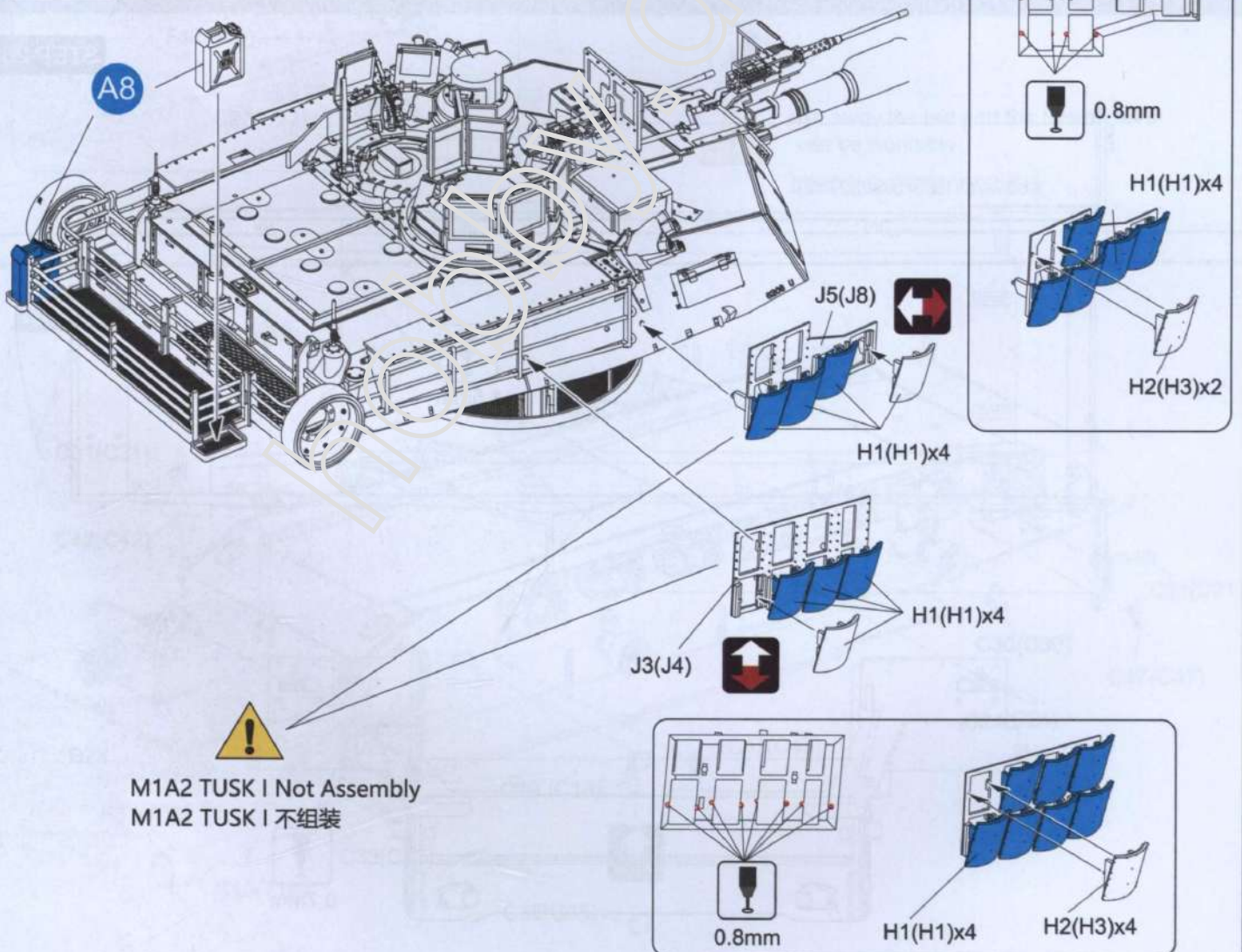




**STEP 23**



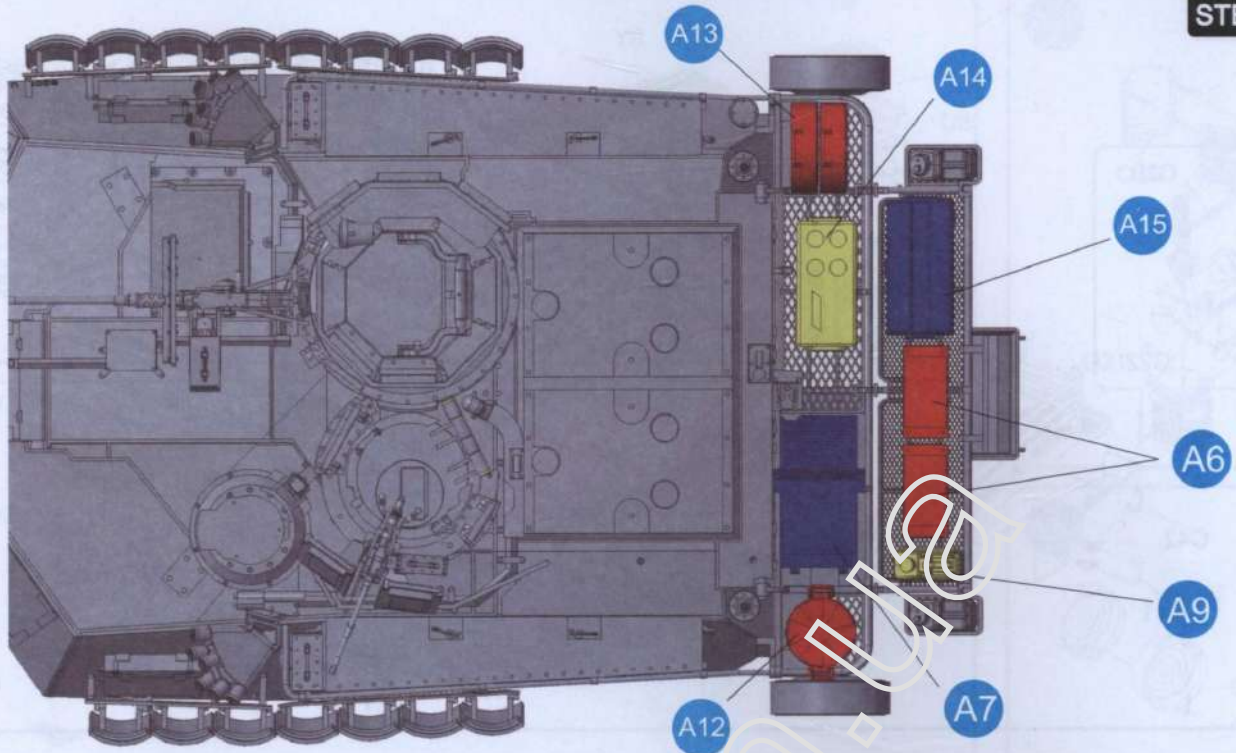
**STEP 24**



M1A2 TUSK I Not Assembly  
M1A2 TUSK I 不組裝

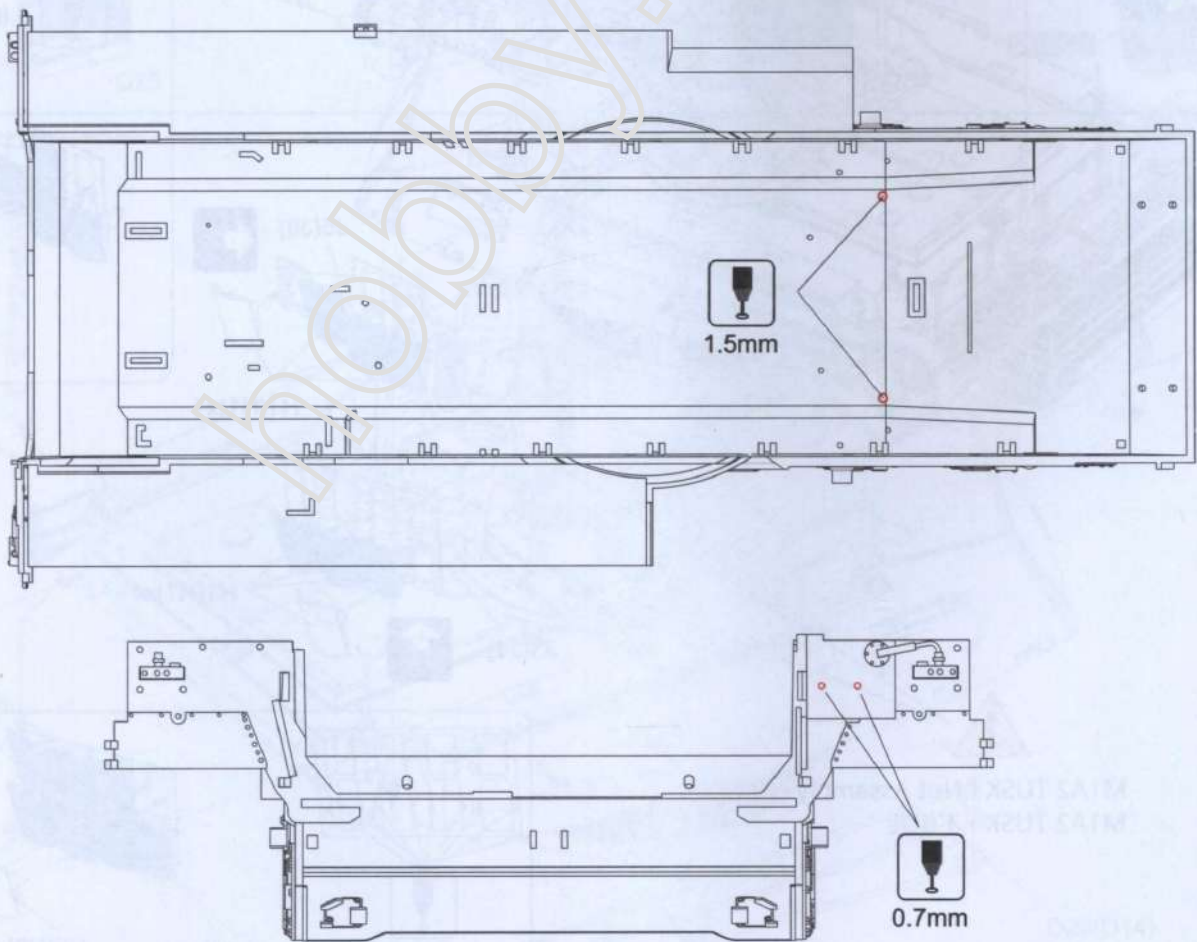
M1A2 TUSK I / TUSK II Turret Assembly • M1A2 TUSK I / TUSK II 炮塔组合

STEP 25

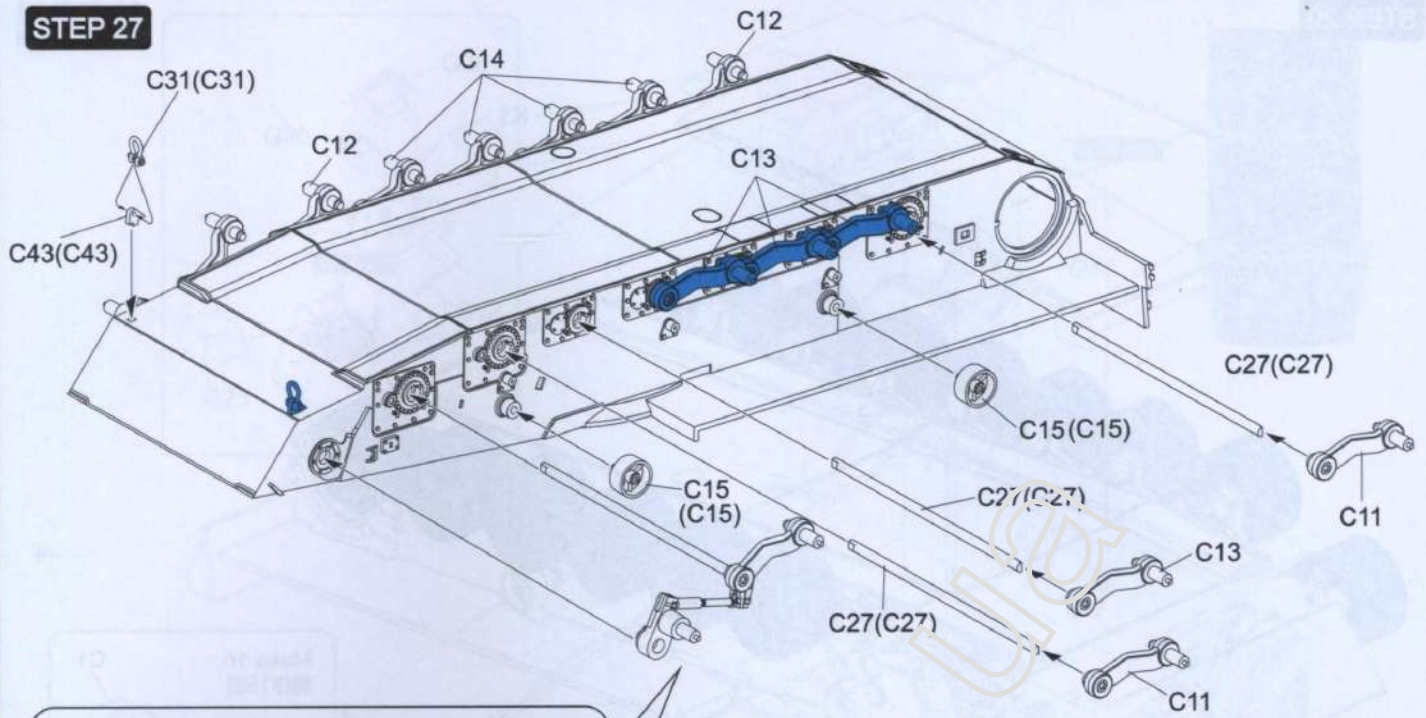


M1A2 TUSK I / TUSK II Body Assembly • M1A2 TUSK I / TUSK II 车体组合

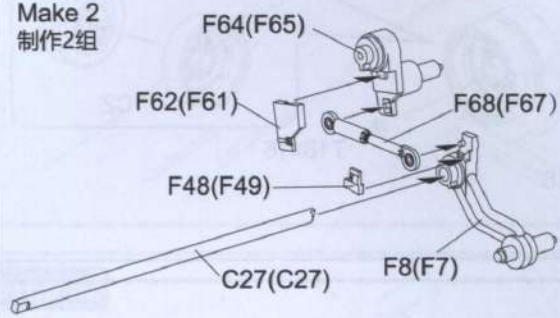
STEP 26



**STEP 27**



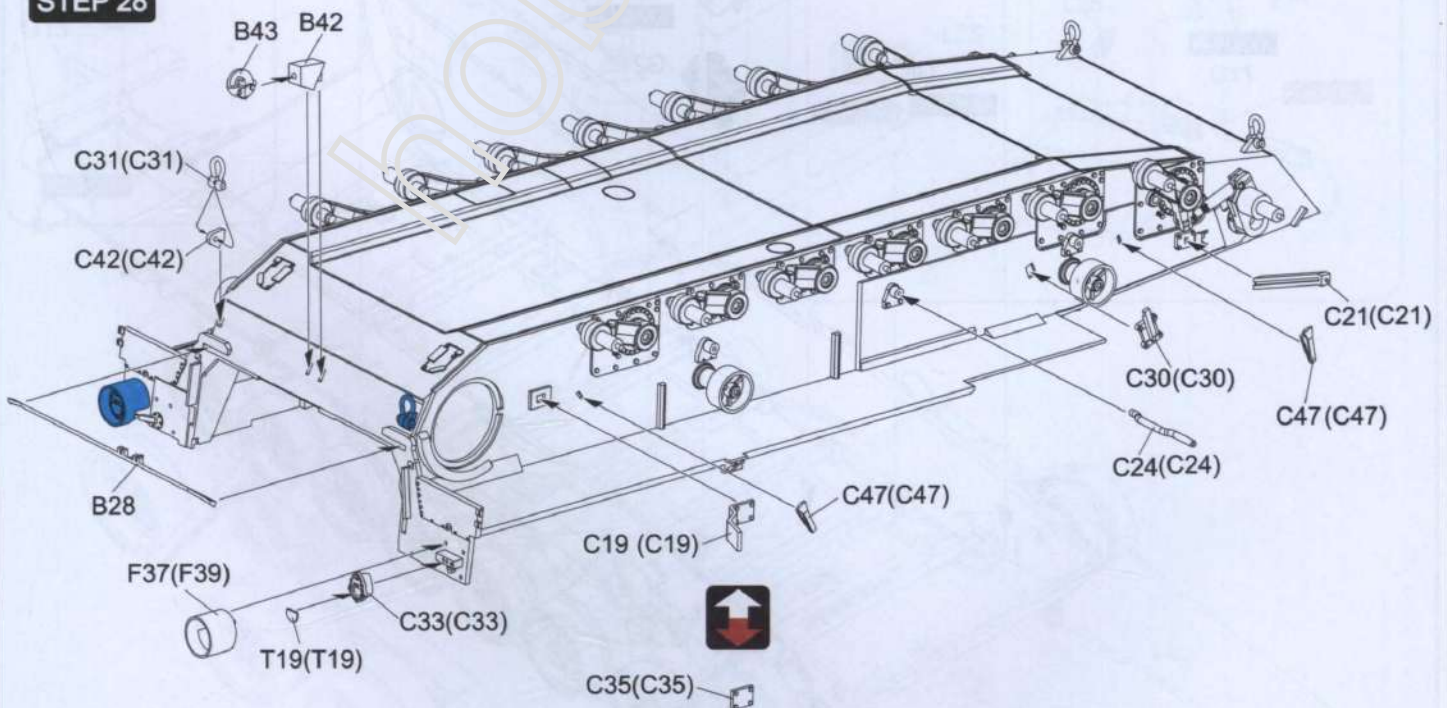
Make 2  
制作2组



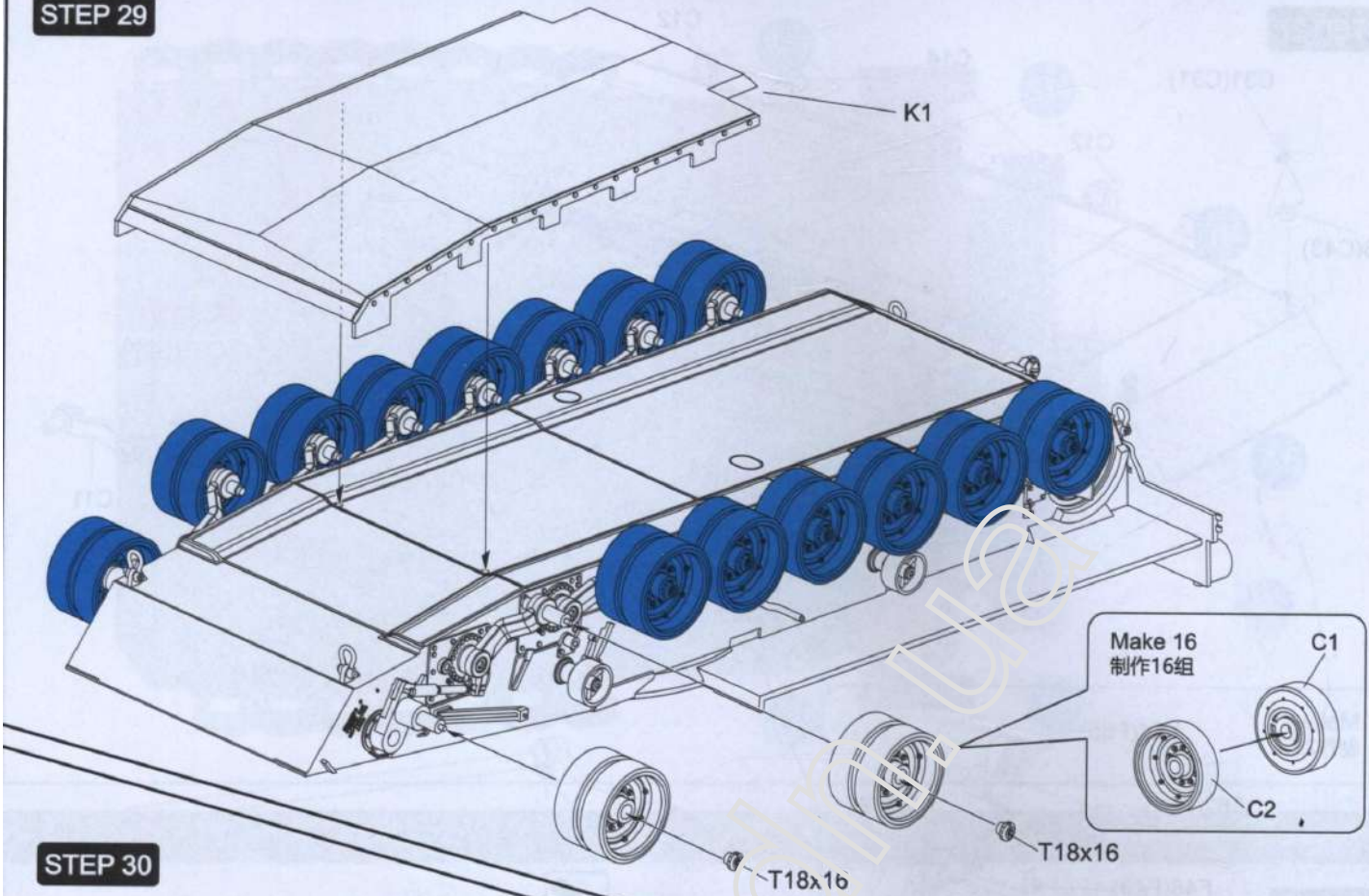
Cut away the red part the torsion bars can be workable

切除红色部分可制作活动悬挂

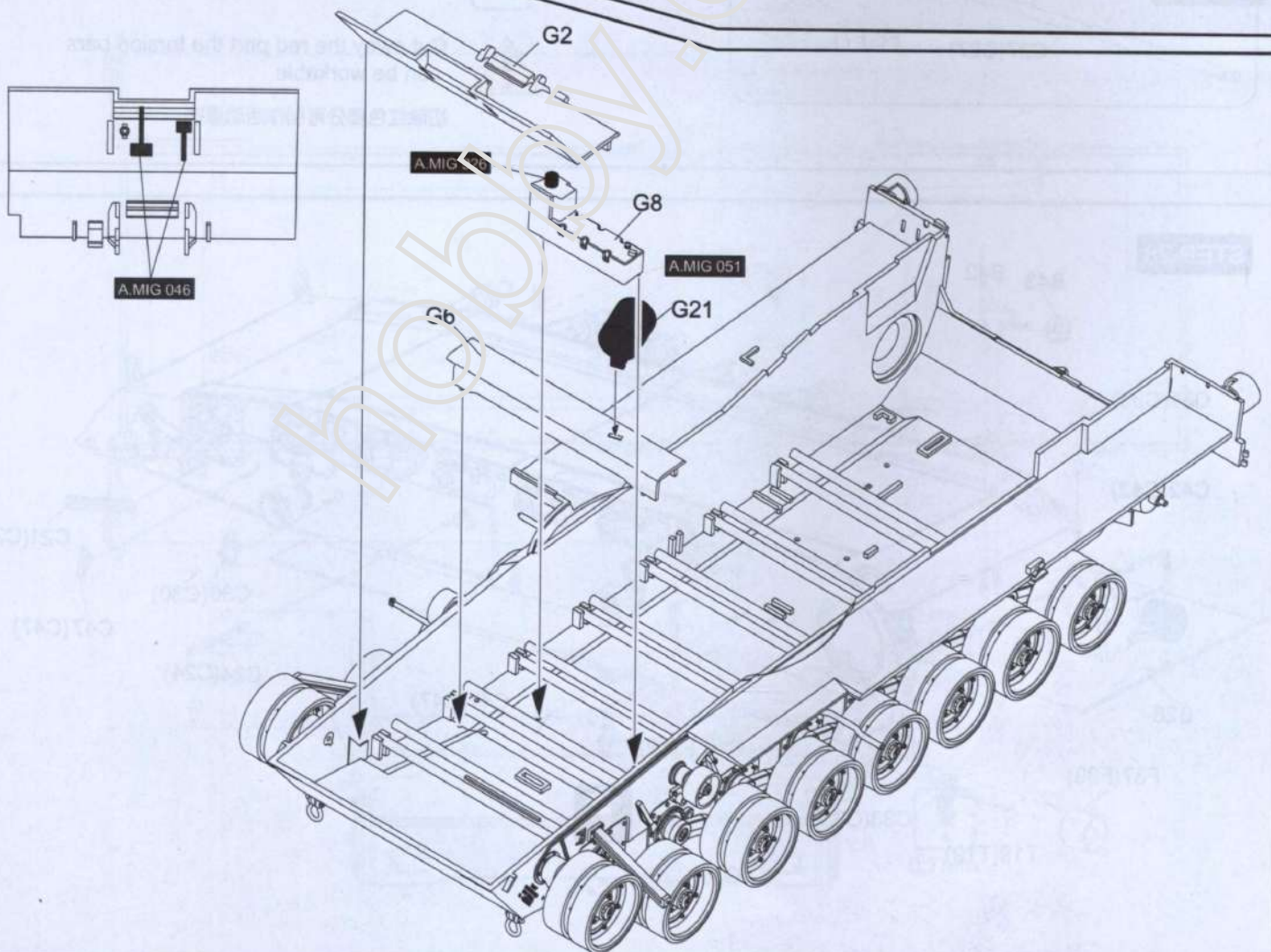
**STEP 28**



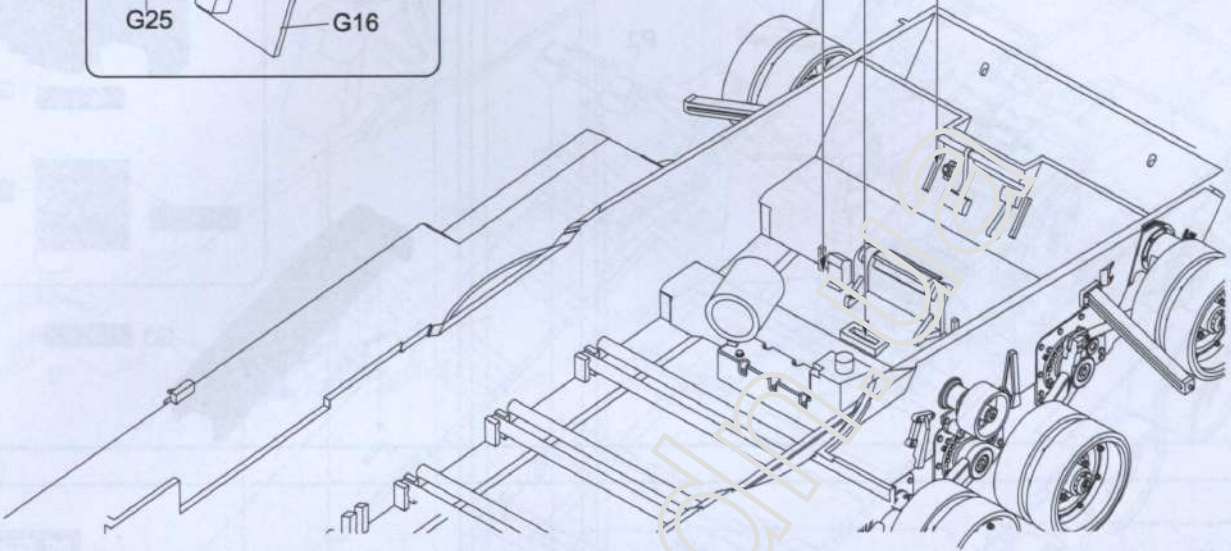
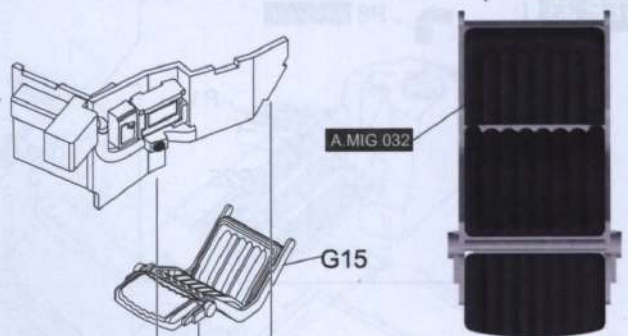
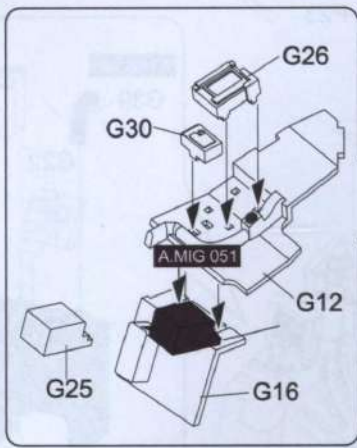
**STEP 29**



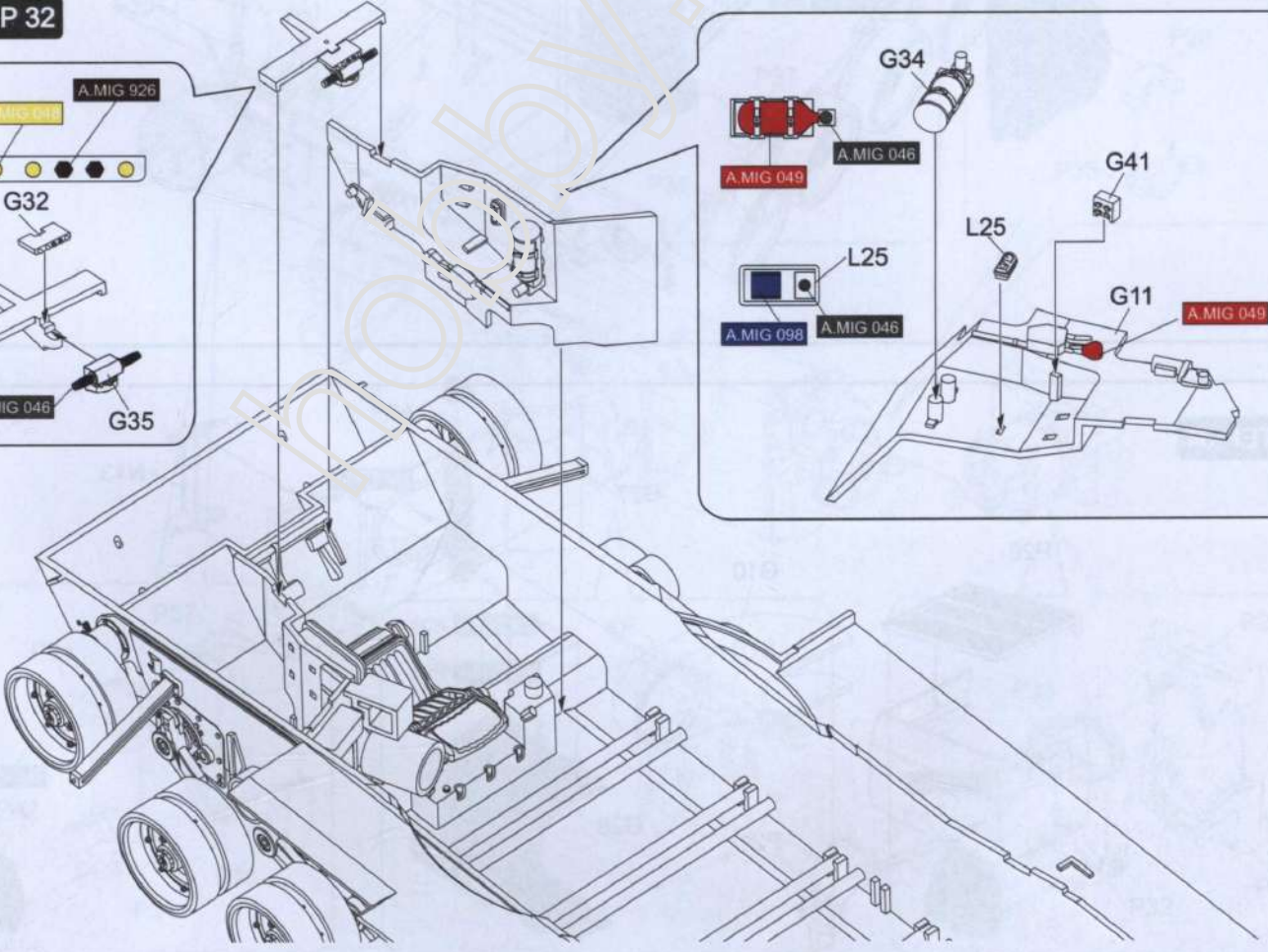
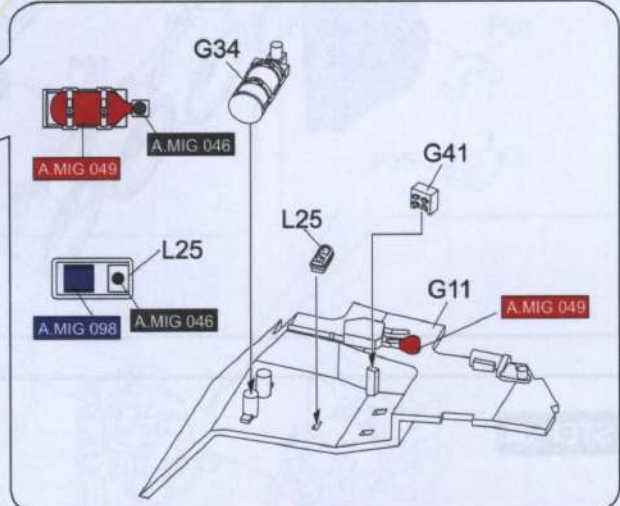
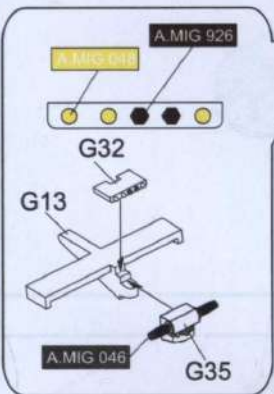
**STEP 30**



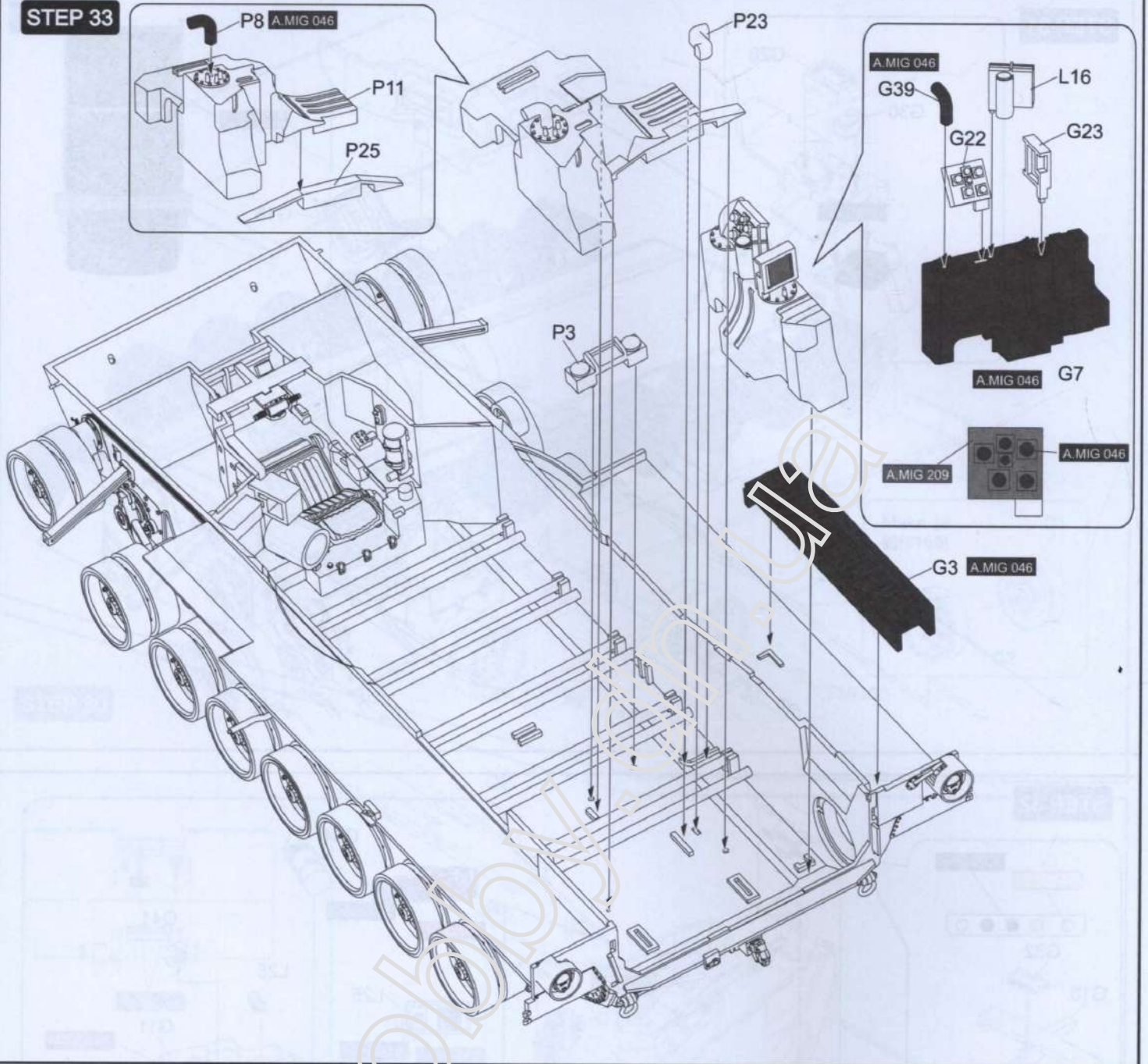
**STEP 31**



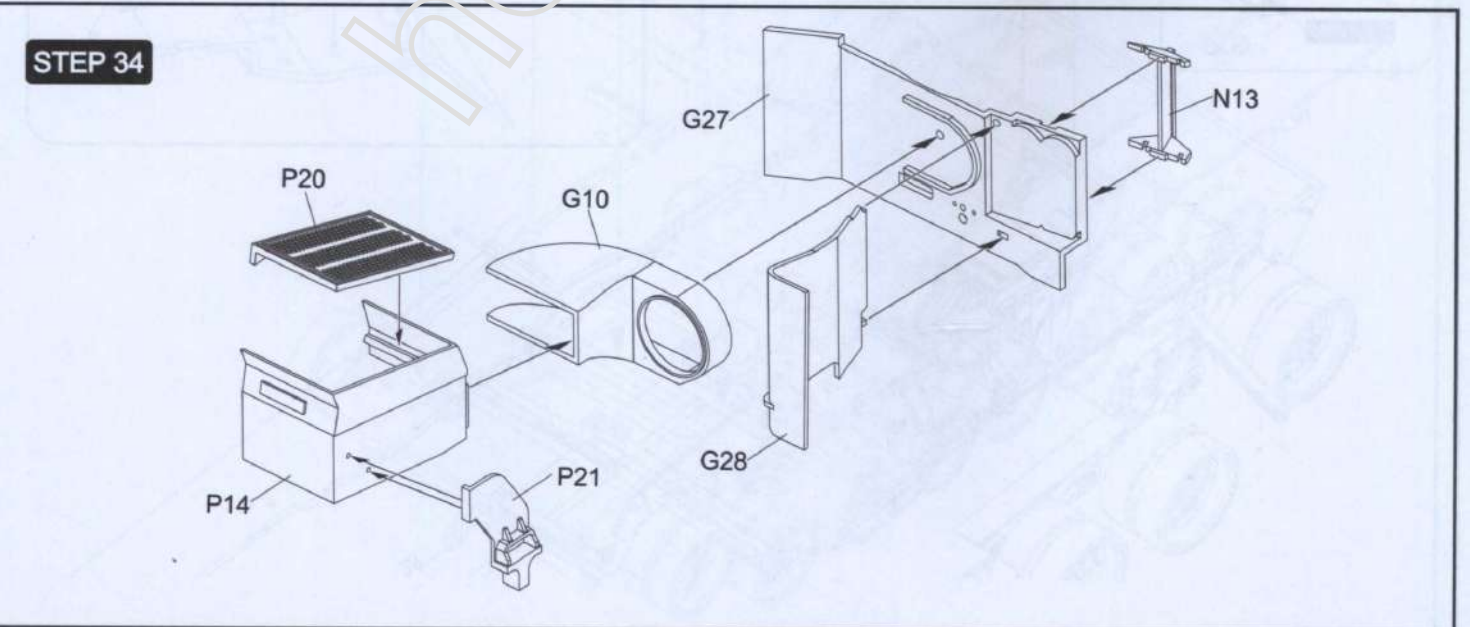
**STEP 32**



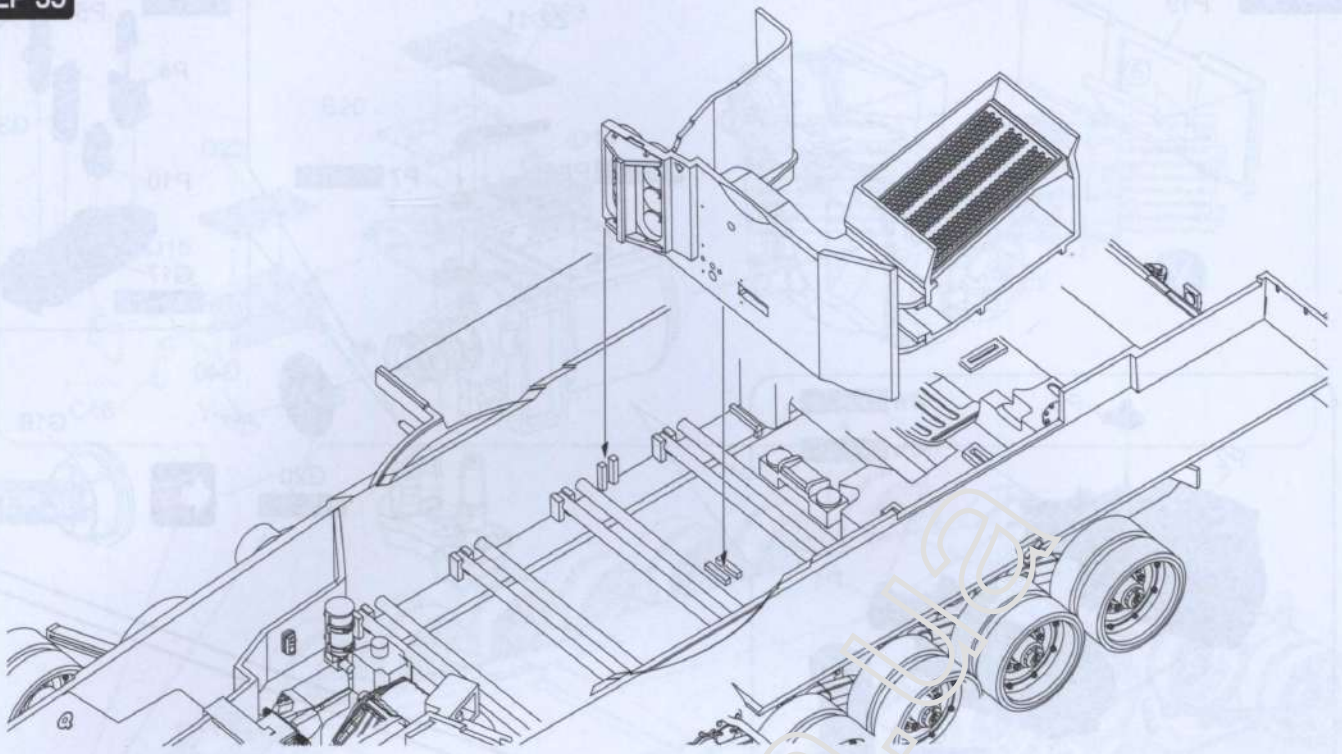
**STEP 33**



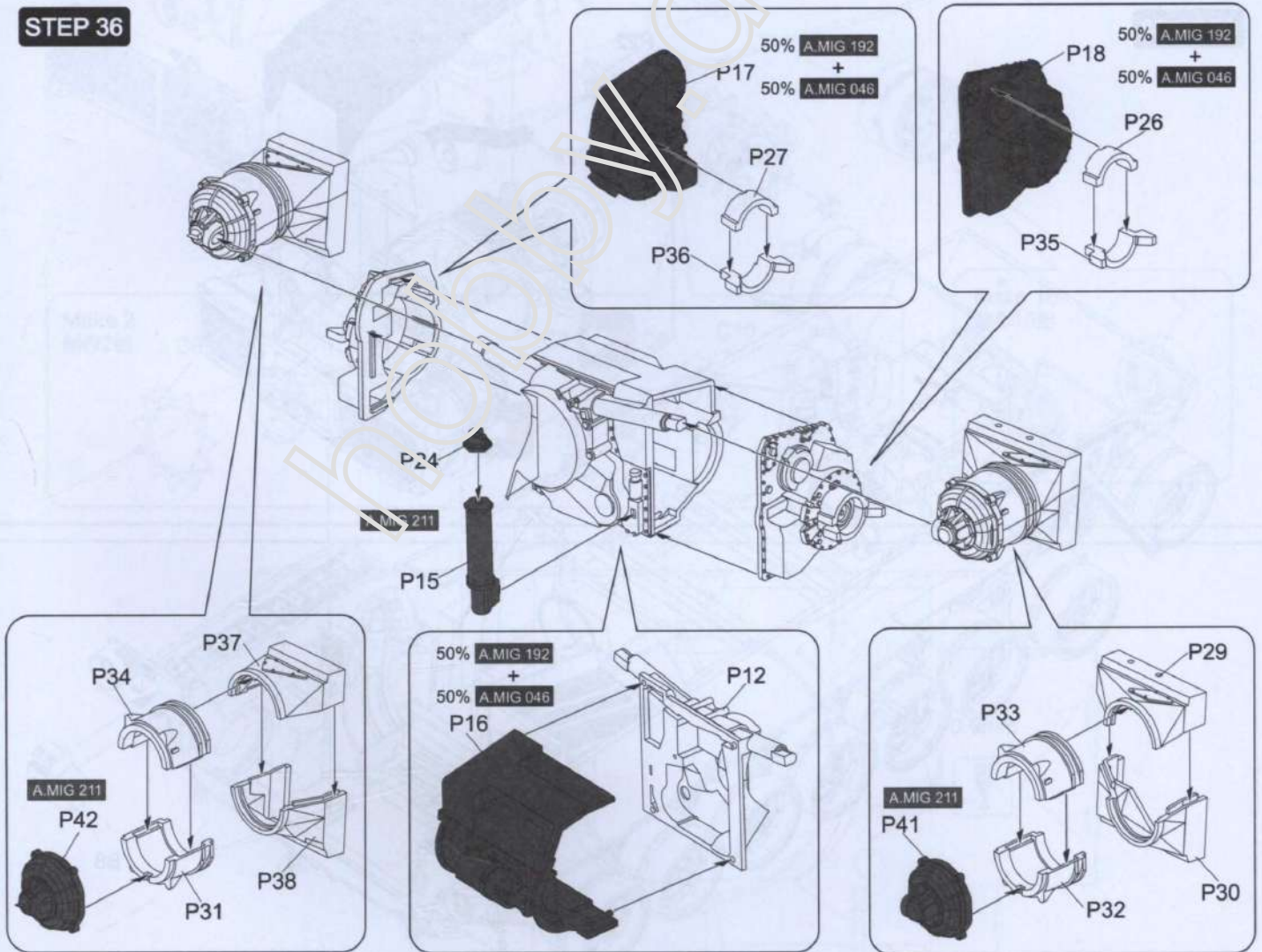
**STEP 34**



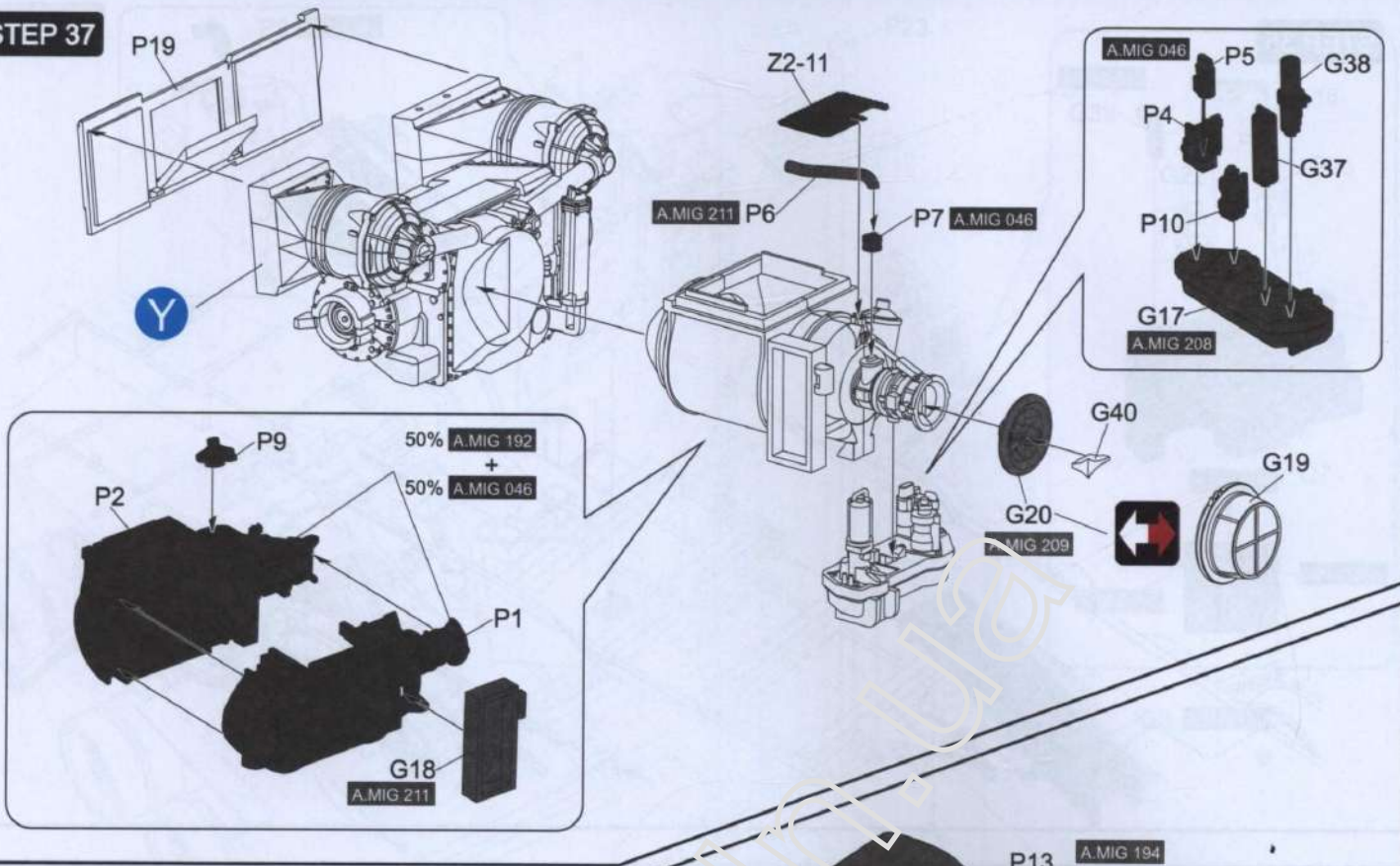
STEP 35



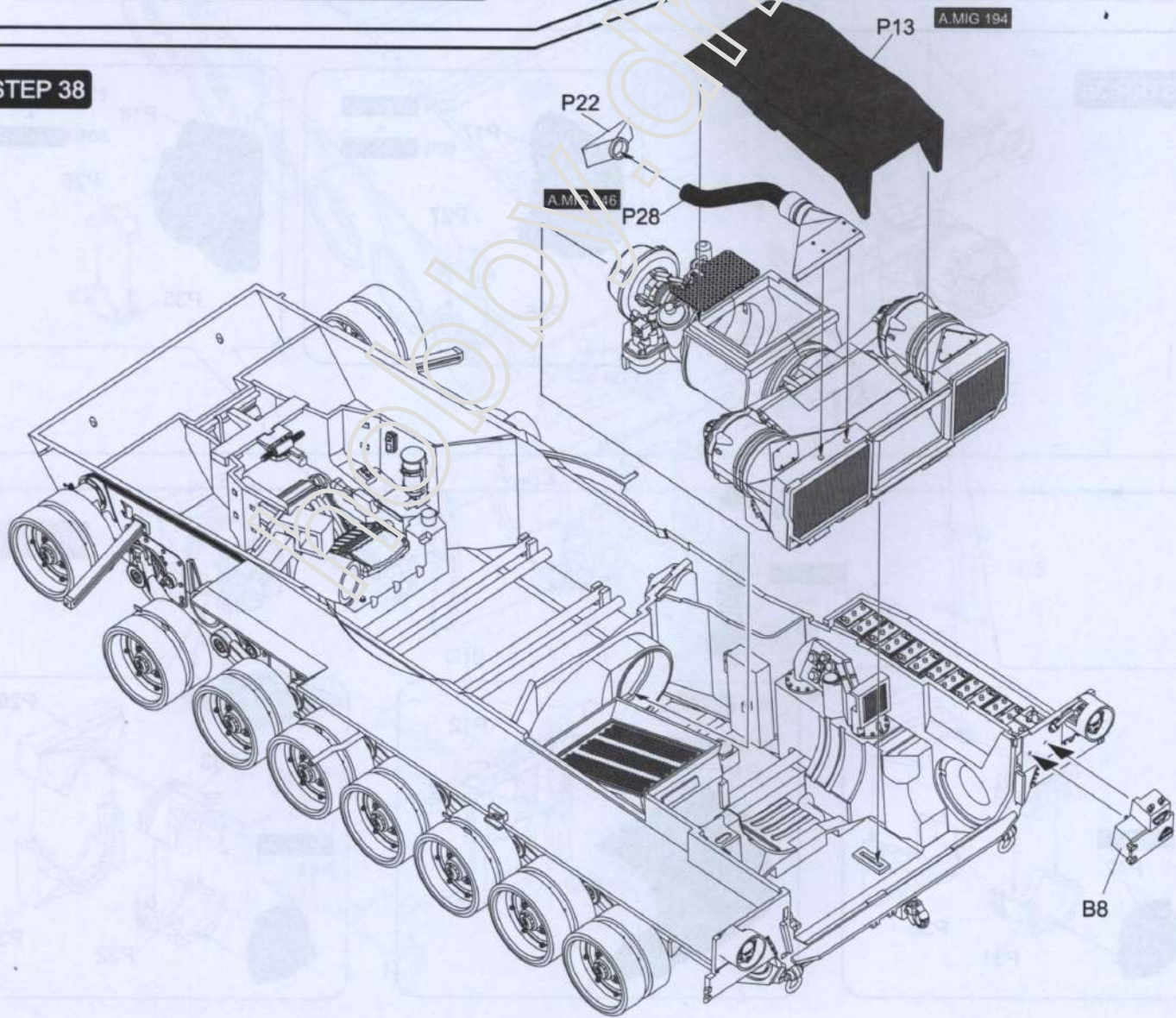
STEP 36



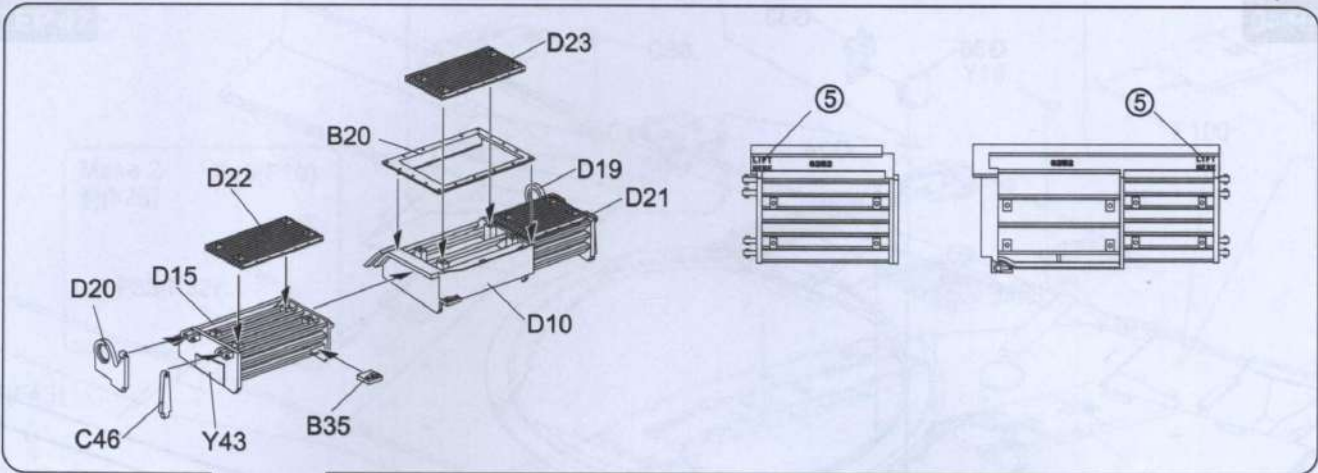
**STEP 37**



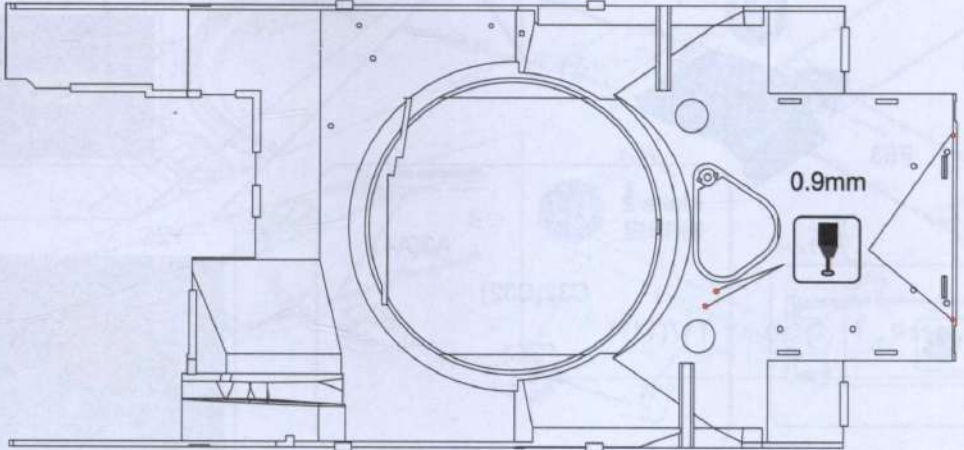
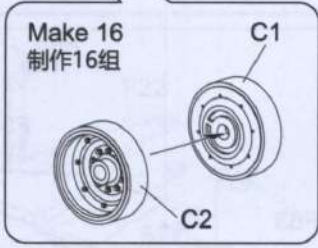
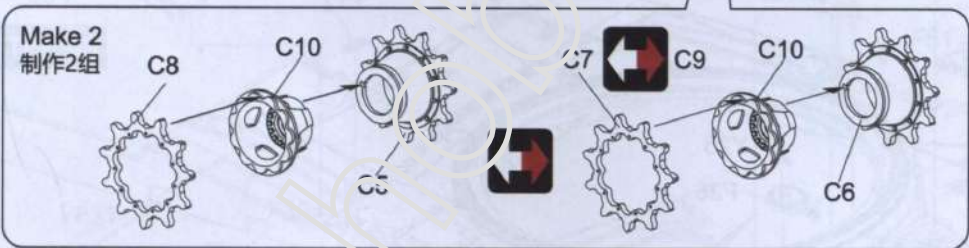
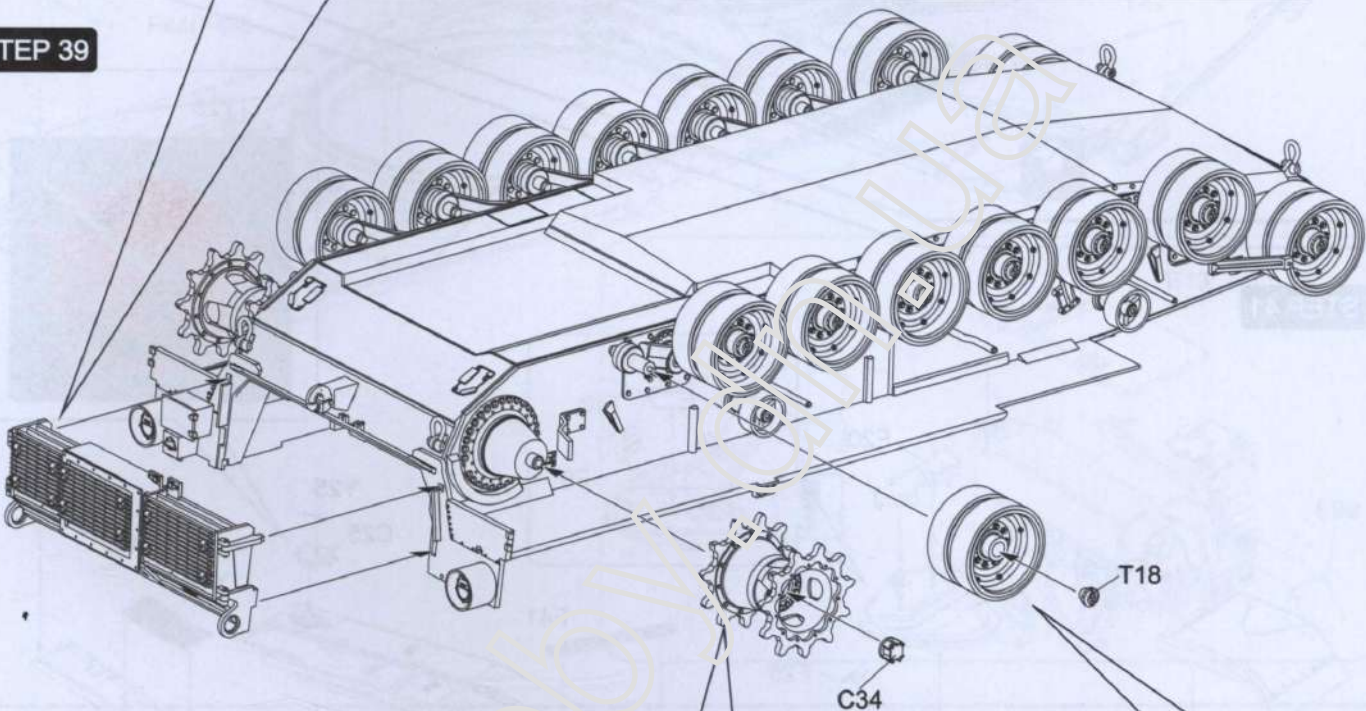
**STEP 38**



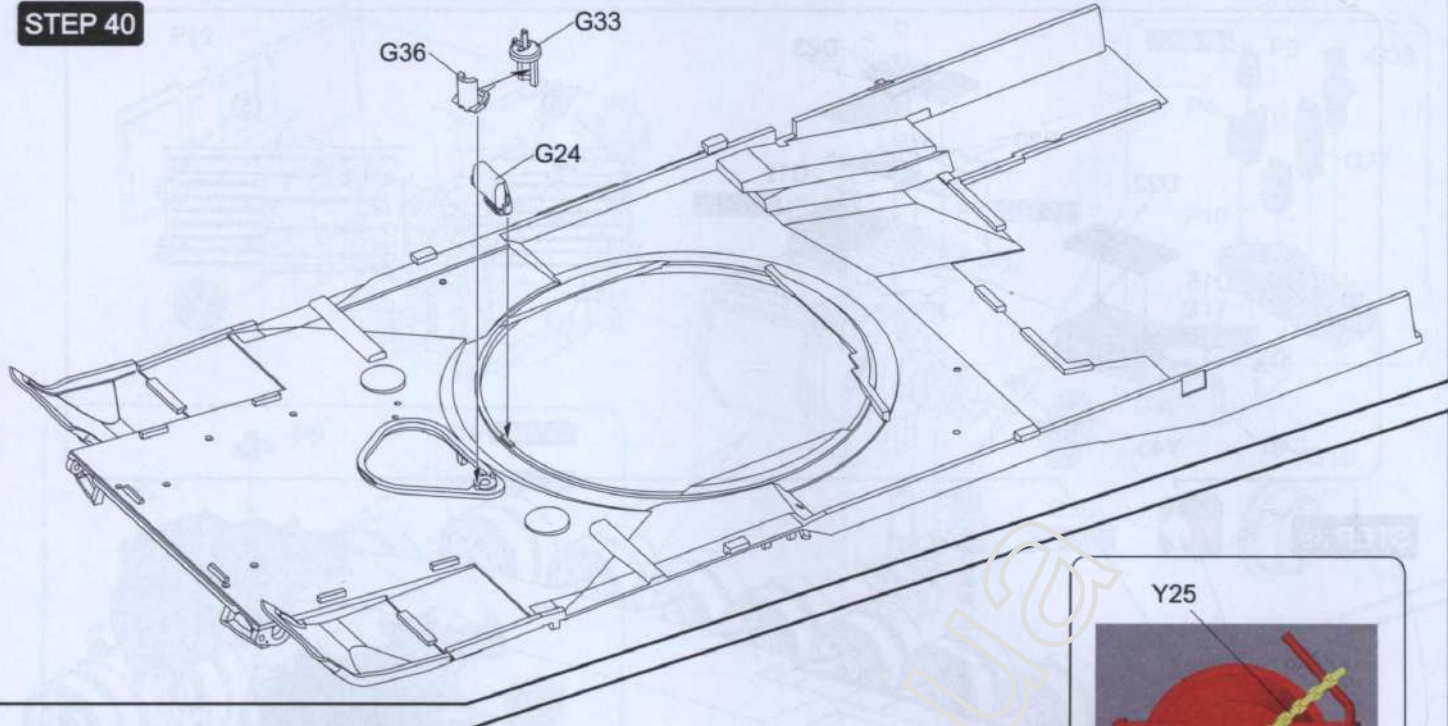




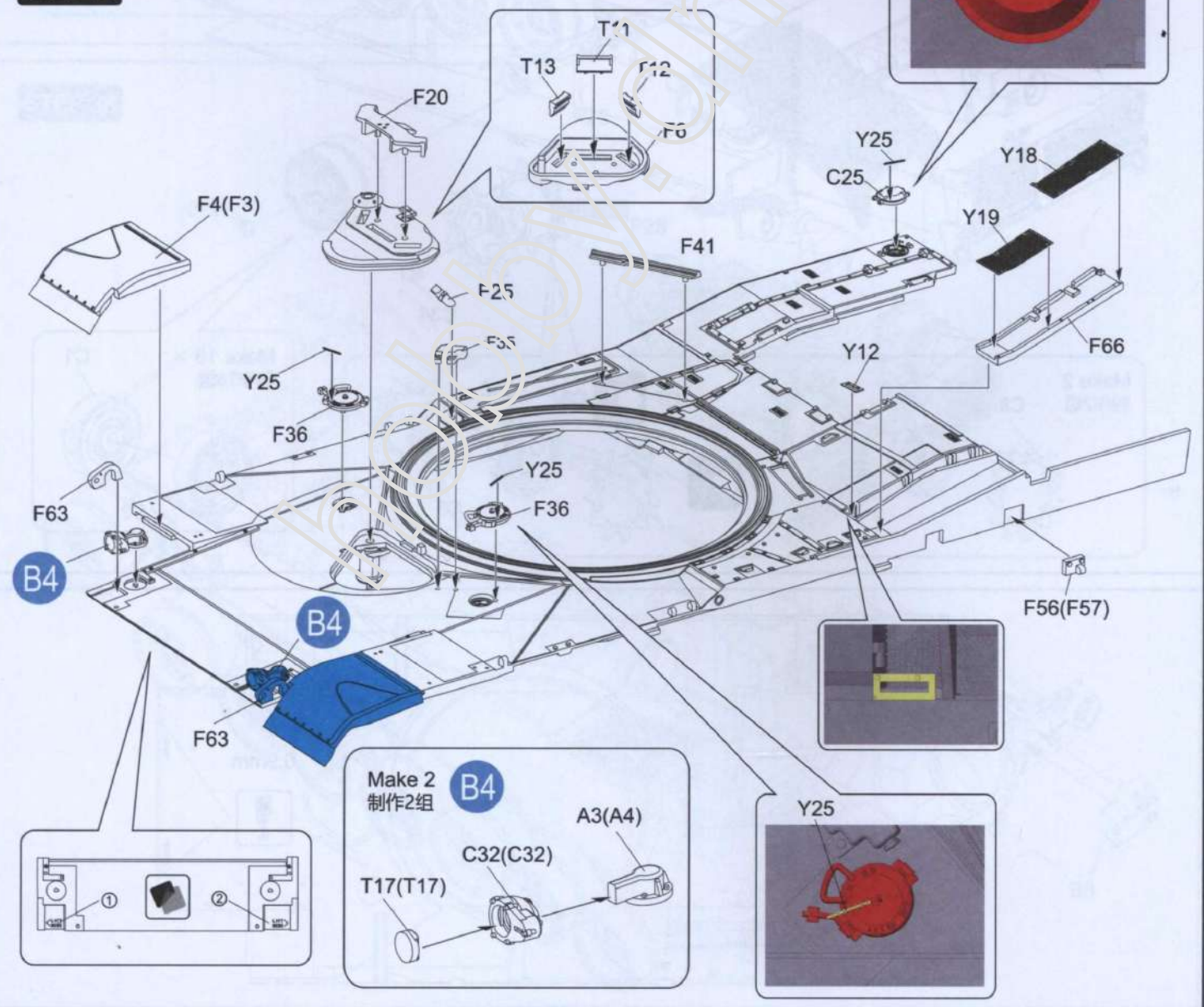
**STEP 39**



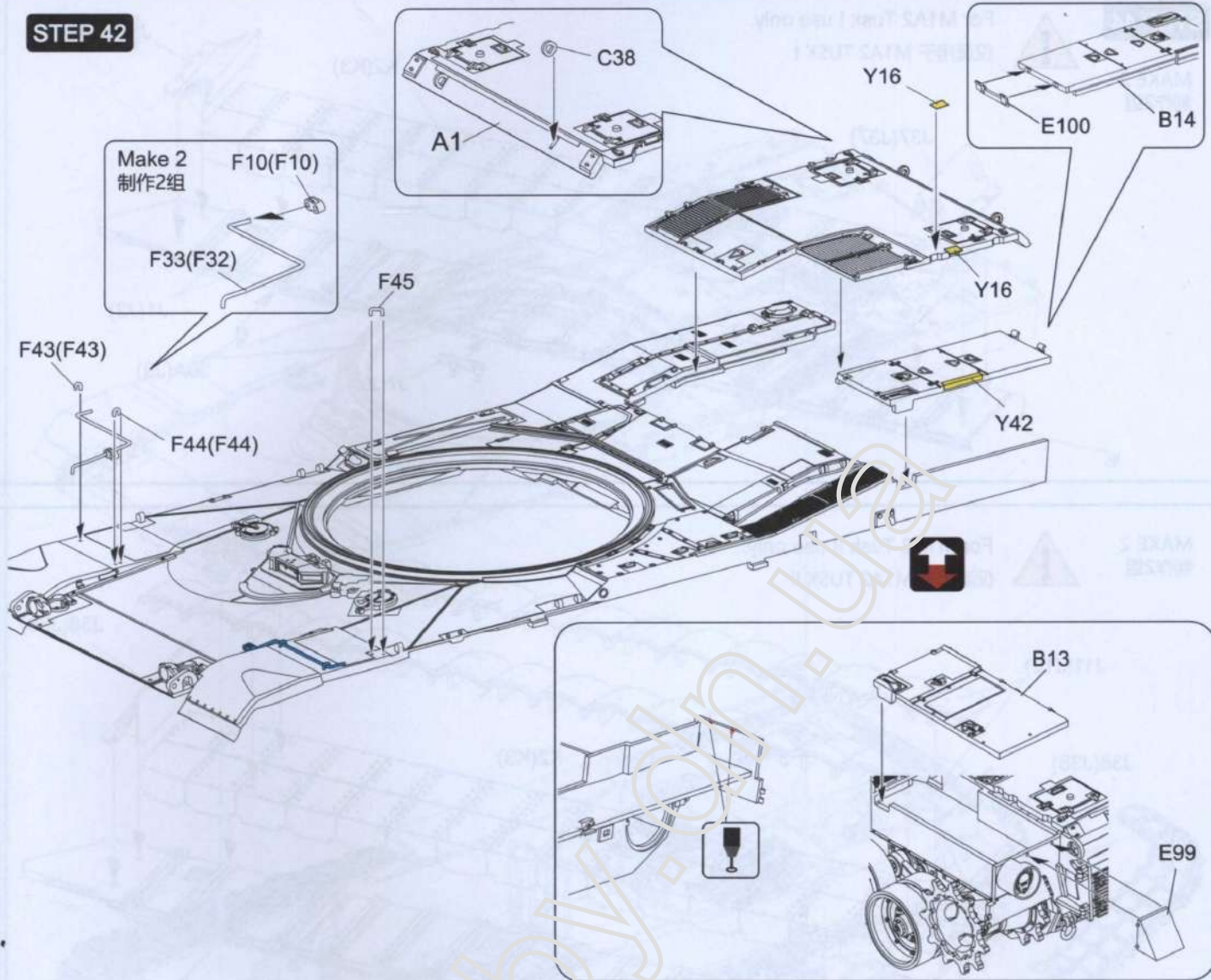
**STEP 40**



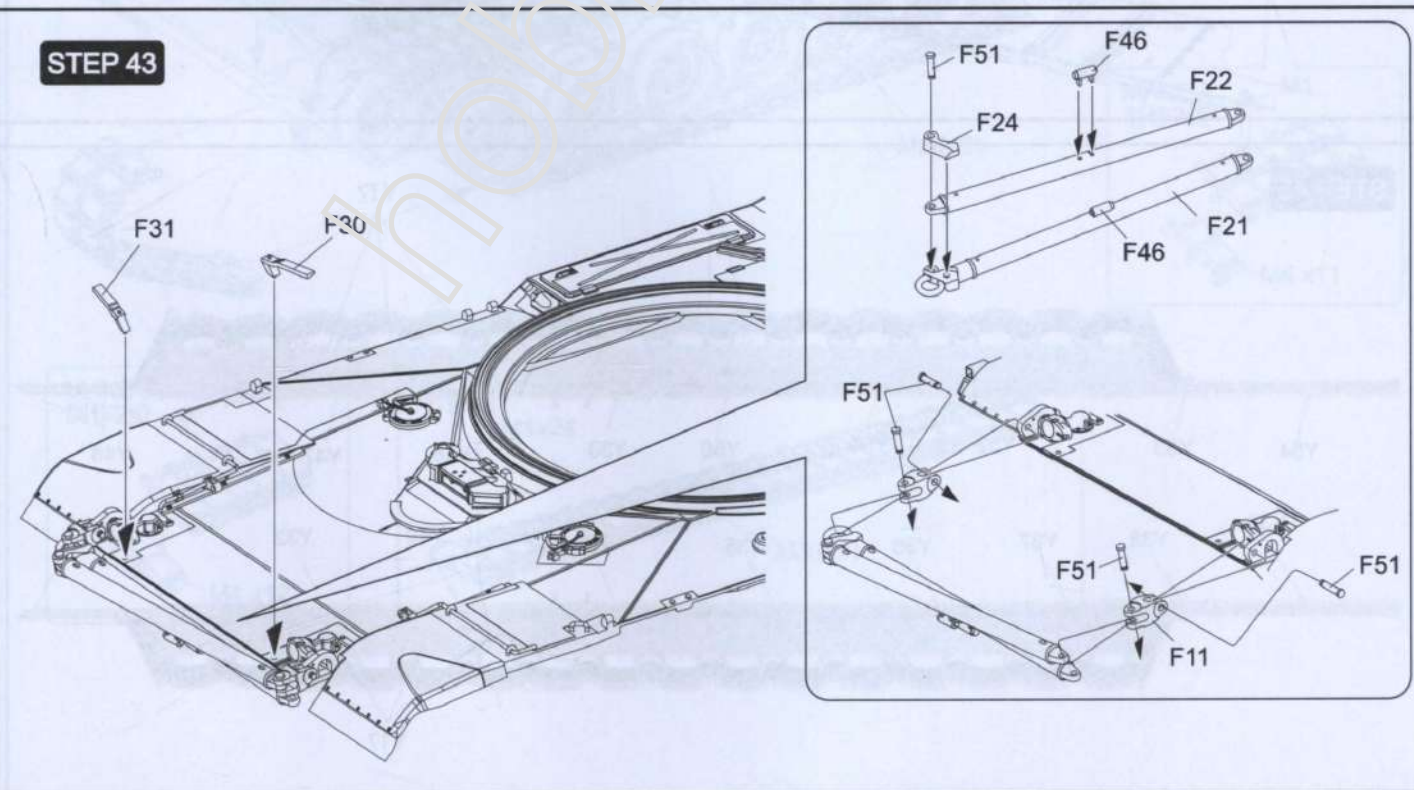
**STEP 41**



**STEP 42**



**STEP 43**

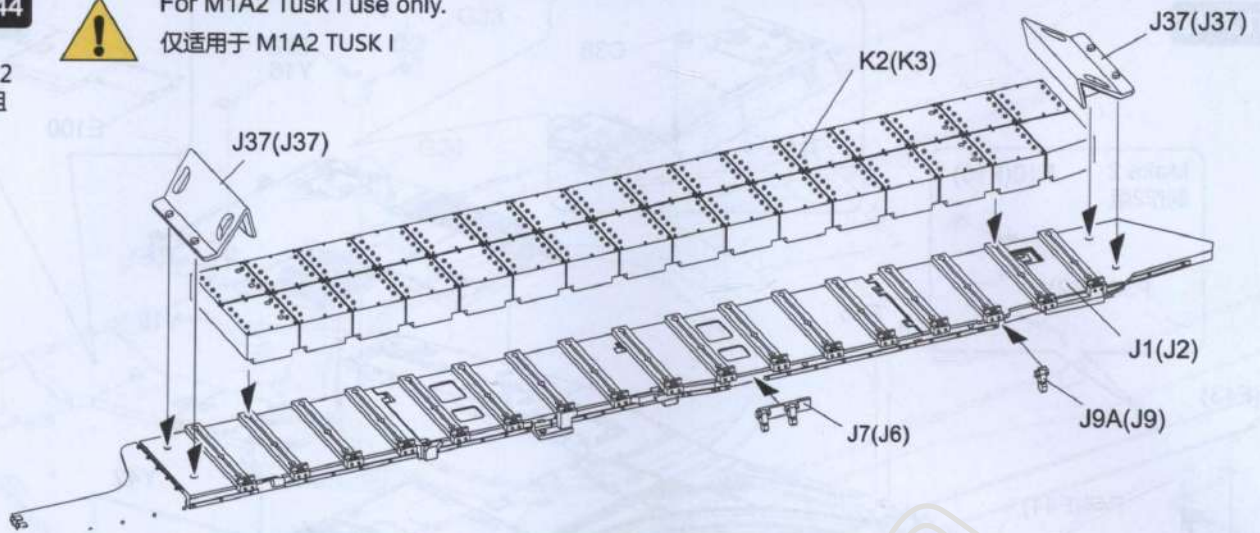


**STEP 44**



For M1A2 Tusk I use only.  
仅适用于 M1A2 TUSK I

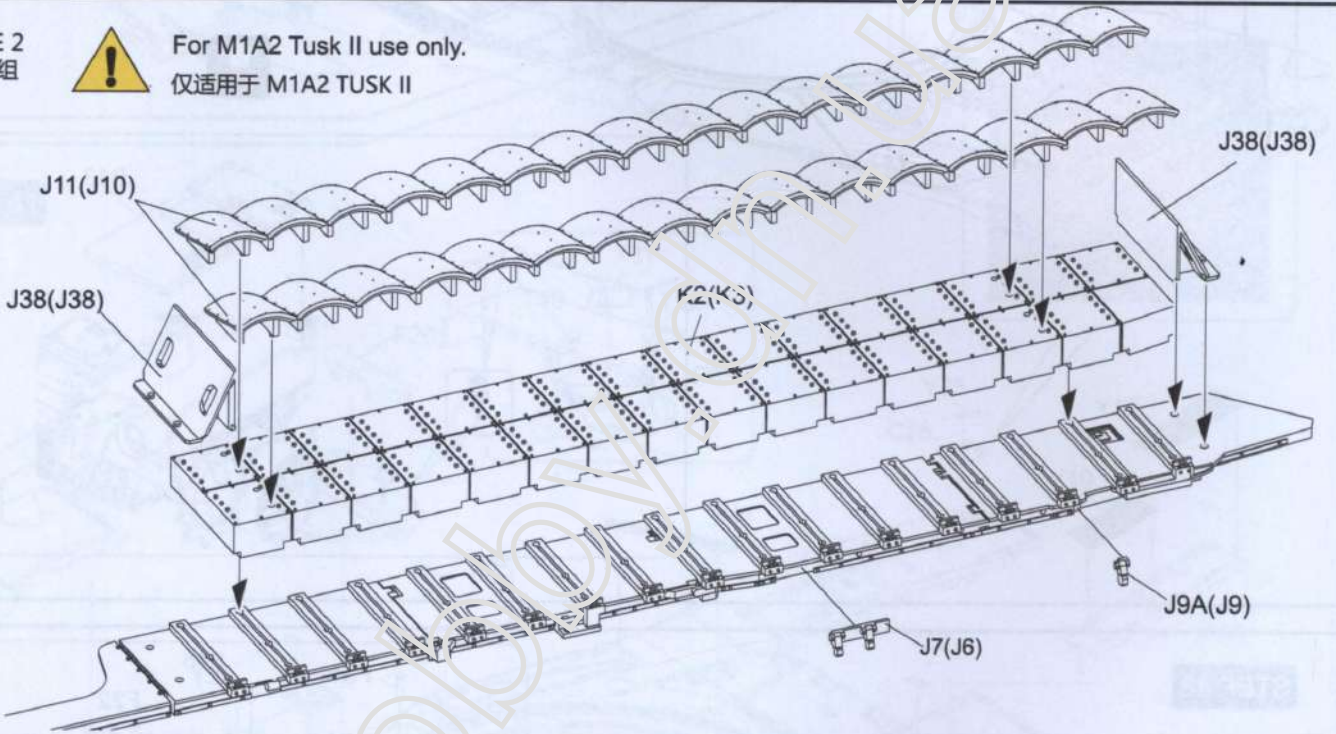
MAKE 2  
制作2组



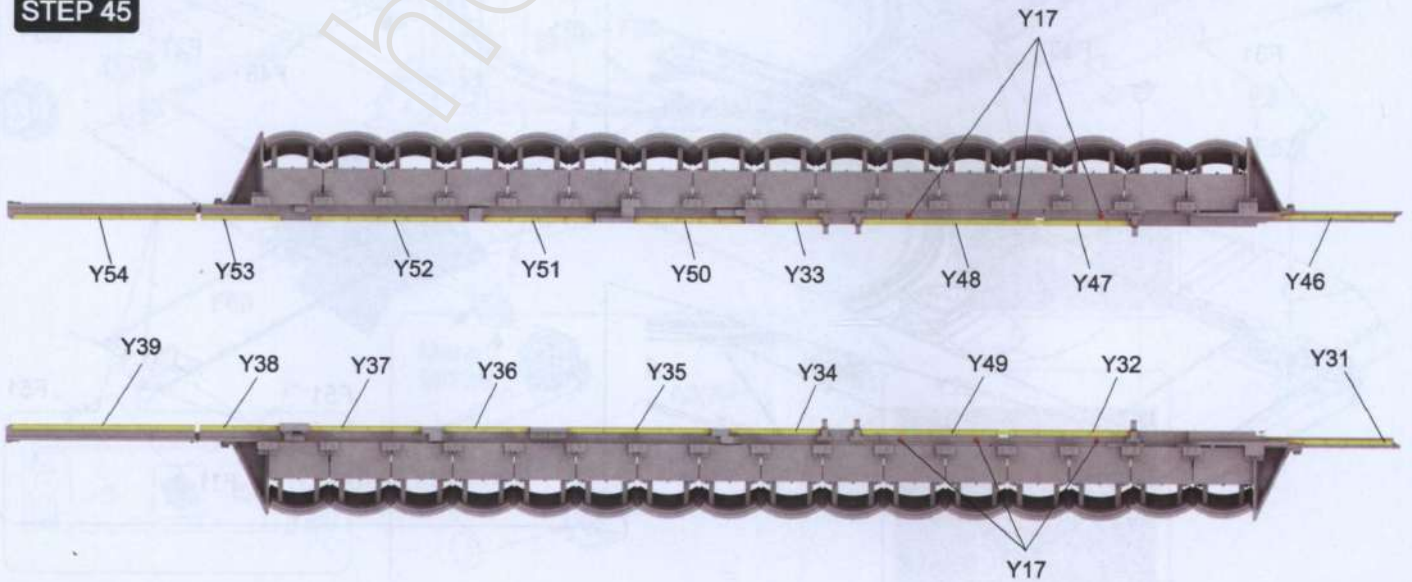
MAKE 2  
制作2组

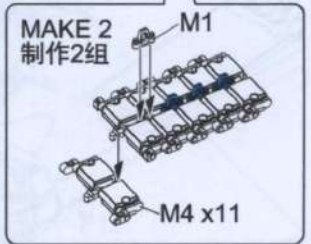
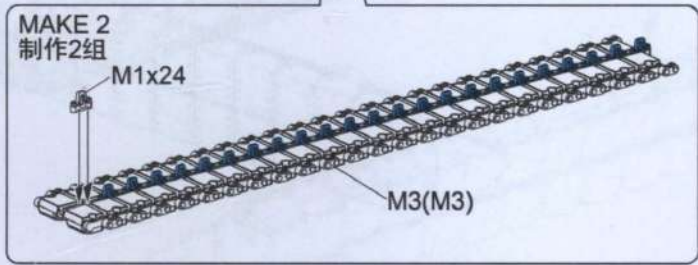
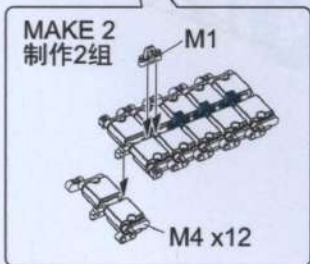
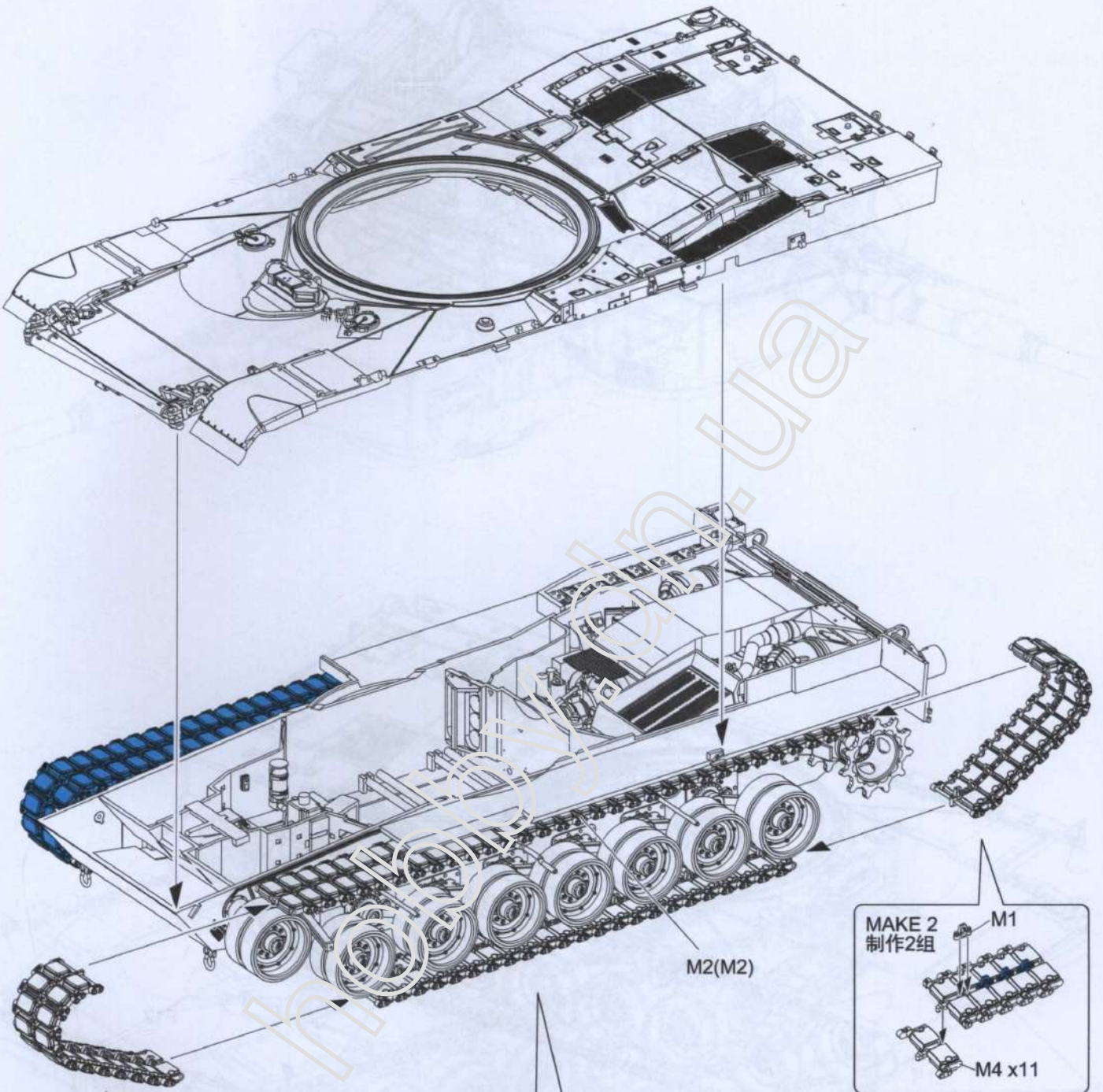


For M1A2 Tusk II use only.  
仅适用于 M1A2 TUSK II



**STEP 45**





**STEP 47**

For M1A2 Tank Line only.  
REF: M1A2 TUSA

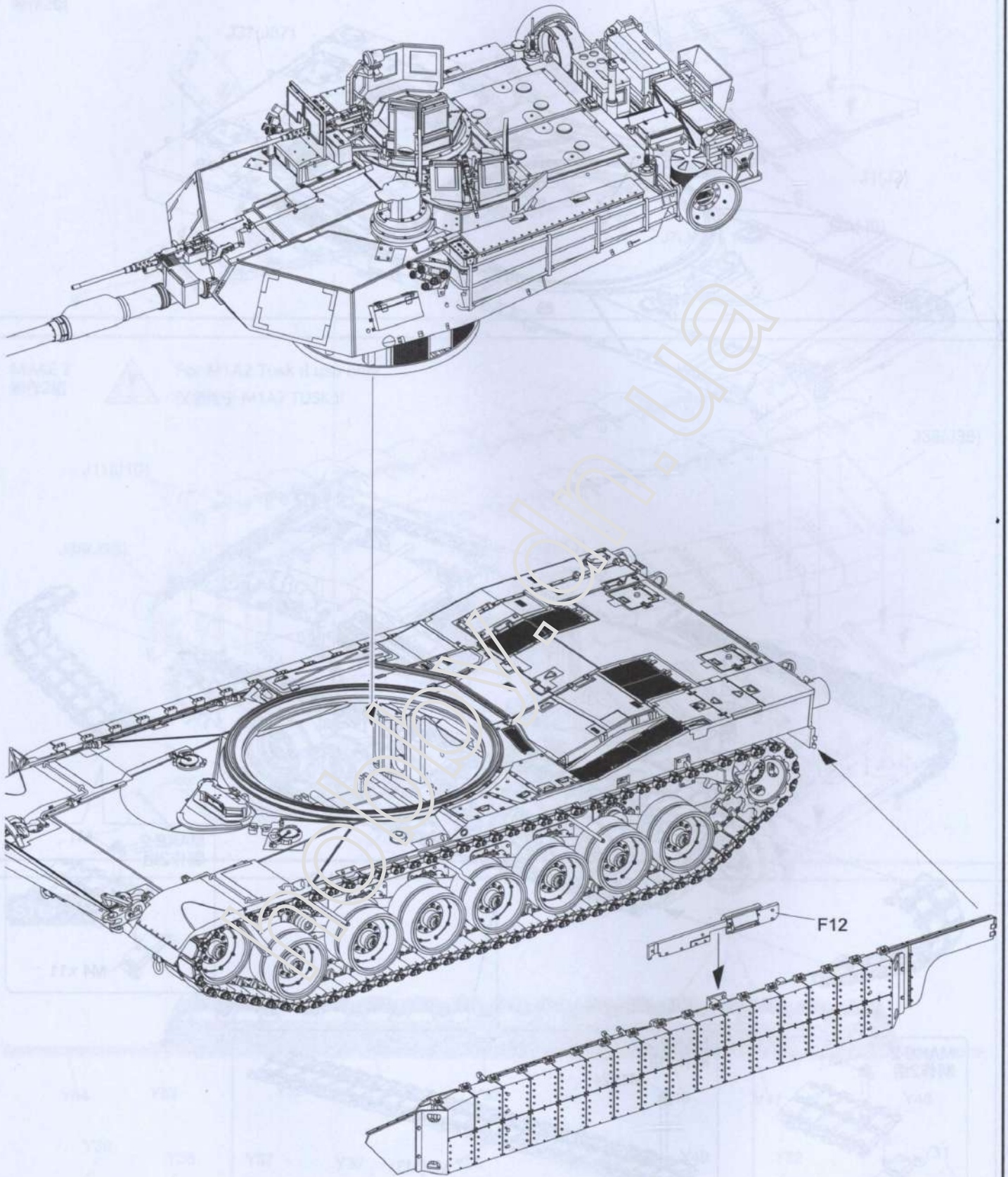
39-2312

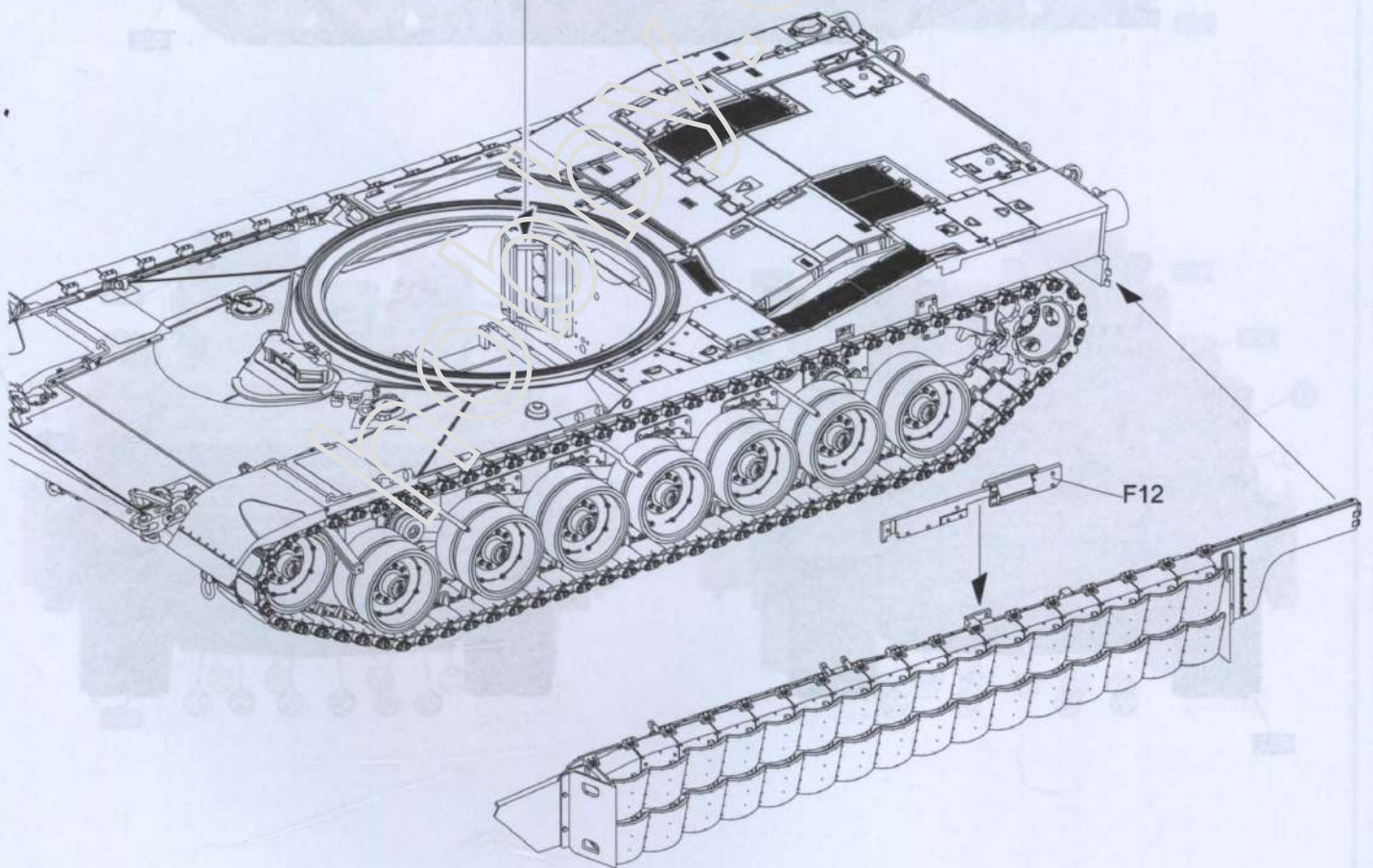
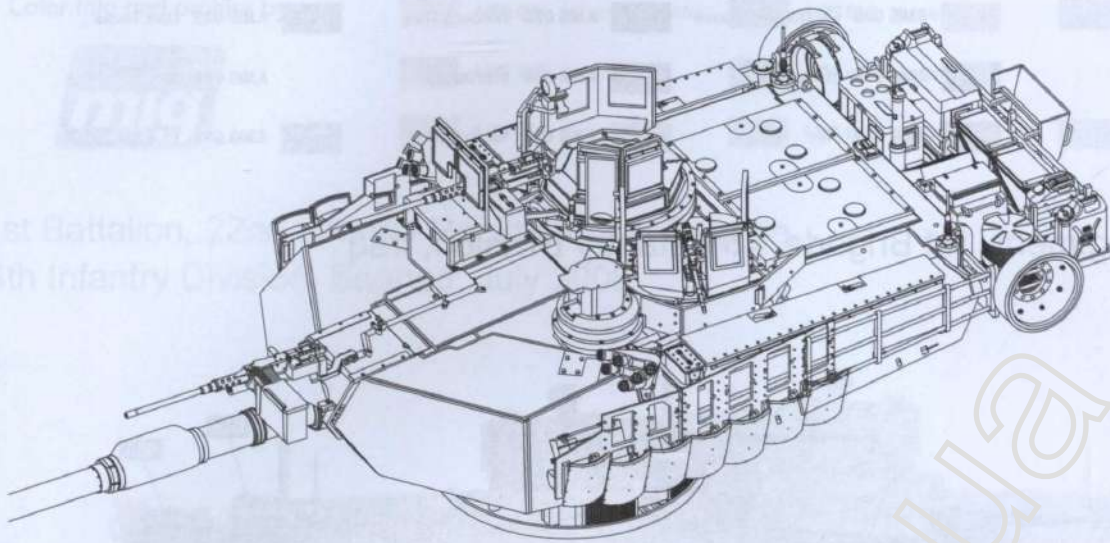
MAKE 2

M1A2

MAKE 1

M1A2





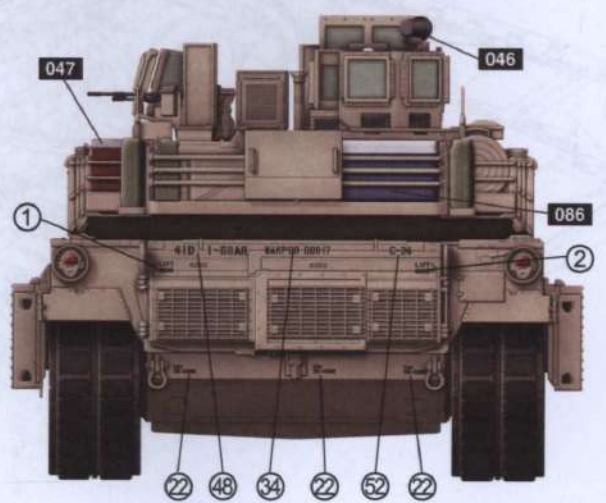
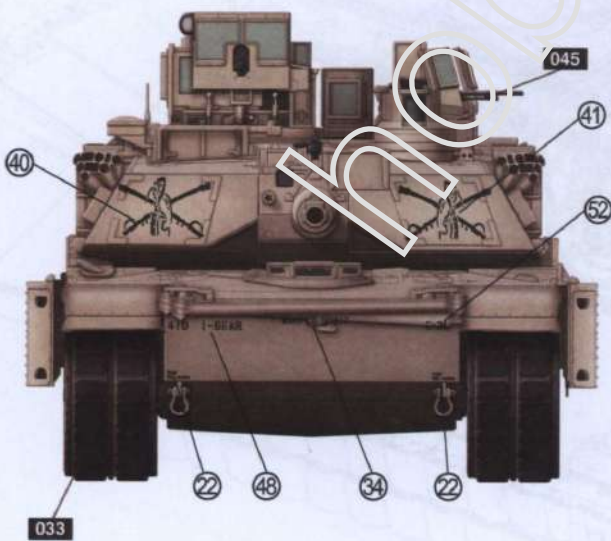
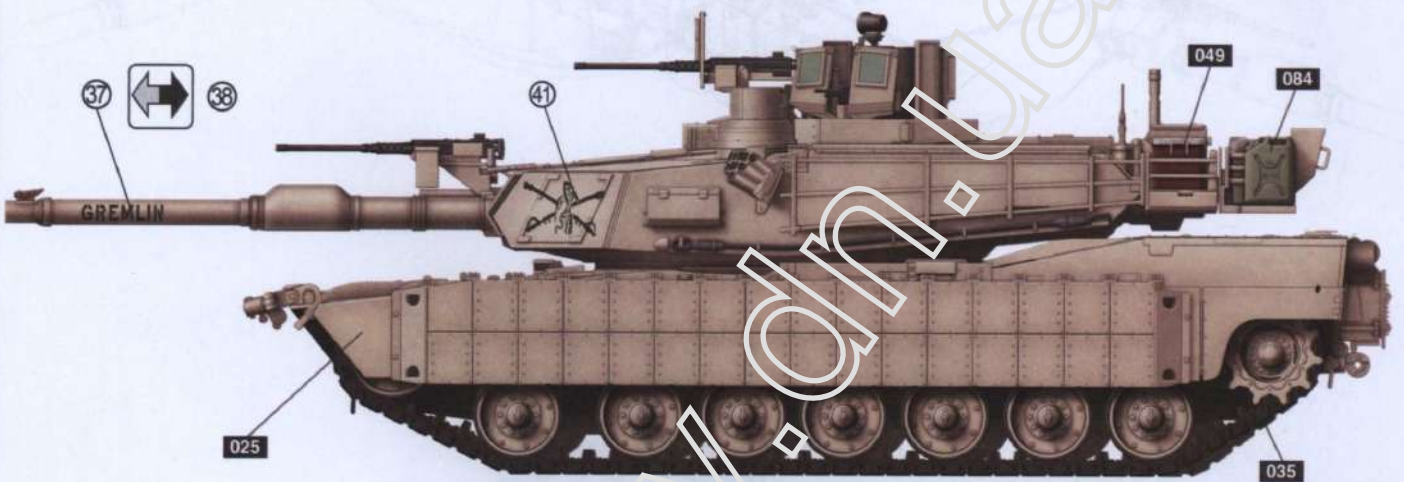
# U.S. Main Battle Tank M1A2 SEP Abrams TUSK I

Color info and profiles by



- |                                                                                                                |                                                                                                            |                                                                                                               |
|----------------------------------------------------------------------------------------------------------------|------------------------------------------------------------------------------------------------------------|---------------------------------------------------------------------------------------------------------------|
|  A.MIG 025 US Modern Vehicles |  A.MIG 033 Rubber & Tires |  A.MIG 035 Dark Tracks     |
|  A.MIG 045 Gun Metal          |  A.MIG 046 Matt Black     |  A.MIG 047 White           |
|  A.MIG 049 Red                |  A.MIG 084 NATO Green     |  A.MIG 086 Blue (RAL 5019) |

68th Armored Regiment, 1st Brigade, 4th Infantry Division, Iraq





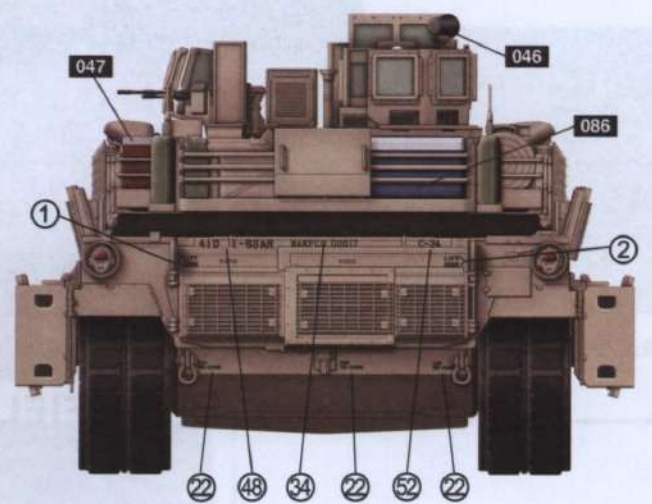
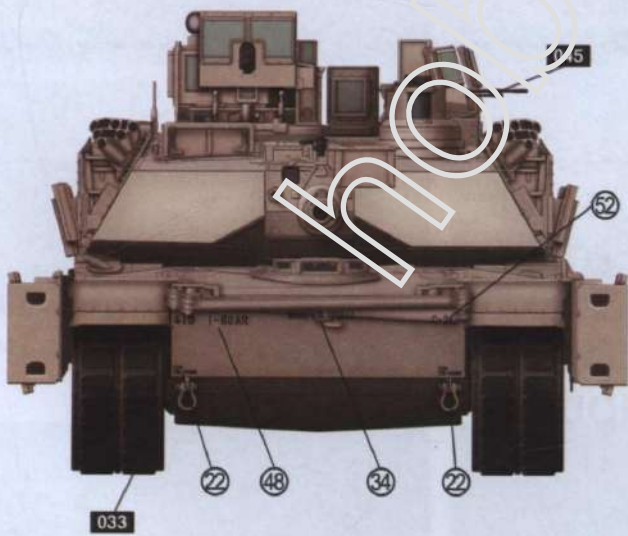
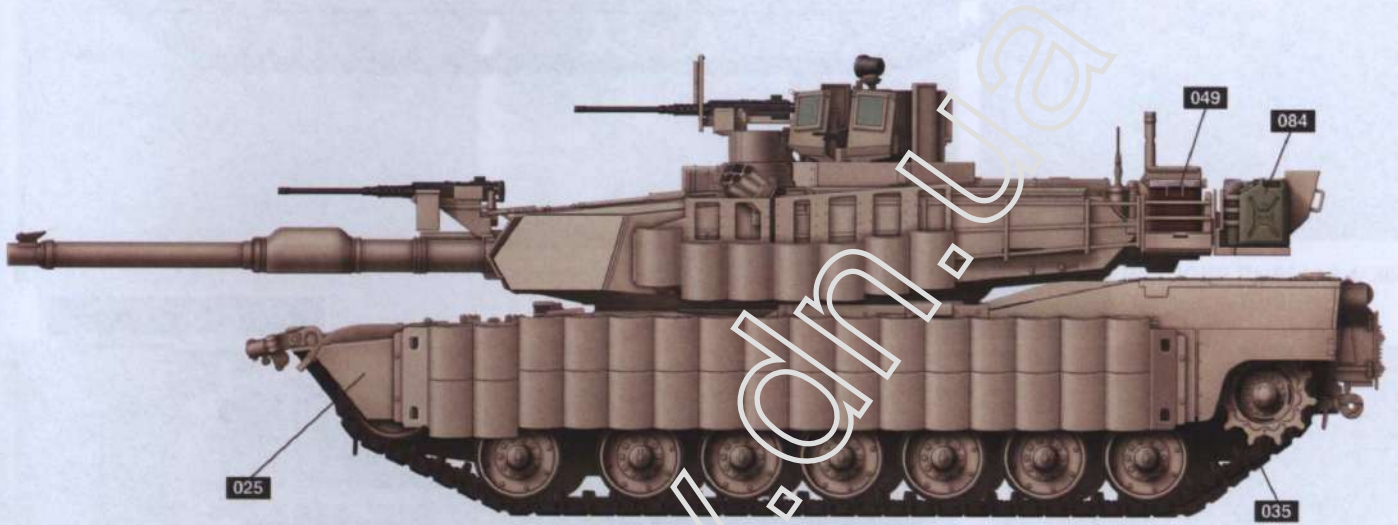
# U.S. Main Battle Tank M1A2 SEP Abrams TUSK II

Color info and profiles by



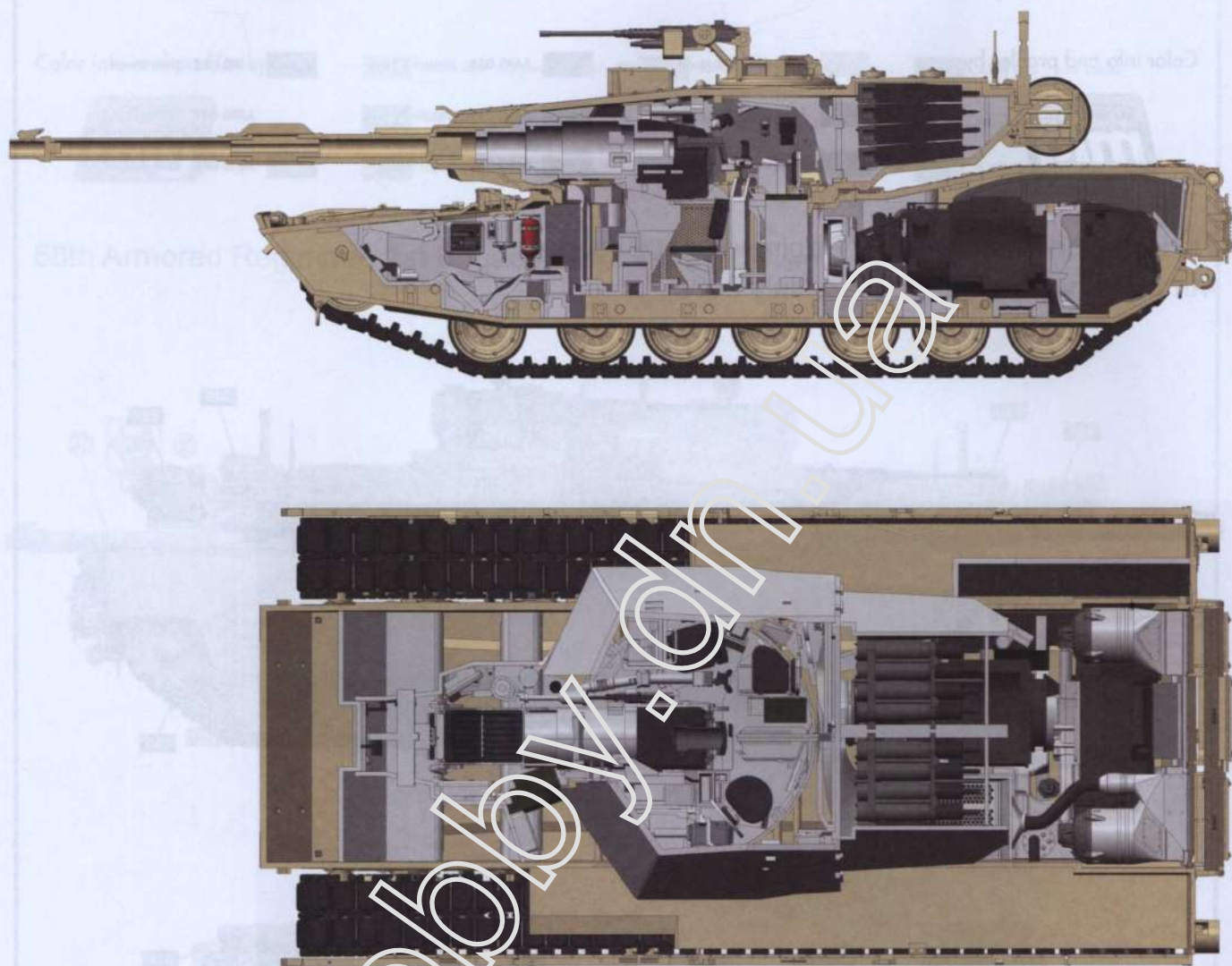
 A.MIG 025 US Modern Vehicles	 A.MIG 033 Rubber & Tires	 A.MIG 035 Dark Tracks
 A.MIG 045 Gun Metal	 A.MIG 046 Matt Black	 A.MIG 047 White
 A.MIG 049 Red	 A.MIG 084 NATO Green	 A.MIG 086 Blue (RAL 5019)

1st Battalion, 22nd Infantry Regiment, 1st Brigade,  
4th Infantry Division, Baghdad, July 2008



# M1A2 SEP ABRAMS TUSK I/ TUSK II 2 IN 1

M1A2 SEP エイブラムス TUSK I/TUSK II w/フルインテリア 美国主战坦克M1A2 艾布拉姆斯 TUSK I/ TUSK II 2合1



**RFM**  
RYEFIELD MODEL®



FACEBOOK



微信公众号



微博

**RYEFIELD MODELS (HK) CO., LTD.**  
香港麦田模型玩具有限公司

Support / 售后支持: [support@ryefield-model.com](mailto:support@ryefield-model.com)  
Website / 网站: [www.ryefield-model.com](http://www.ryefield-model.com)