



# M4A3E8 SHERMAN

アメリカ中戦車シャーマンイージーエイト  
美国M4A3E8“谢尔曼”中型坦克

## ASSEMBLY ICONS



OPTIONAL  
选择



CEMENT  
膠水



DO NOT CEMENT  
不使用膠水



INSTANT CEMENT  
瞬間接著劑



BEND  
彎折



MAKE 2  
製作2組



OPEN HOLE  
鑽孔



REMOVE  
切除



BE CAREFUL  
注意



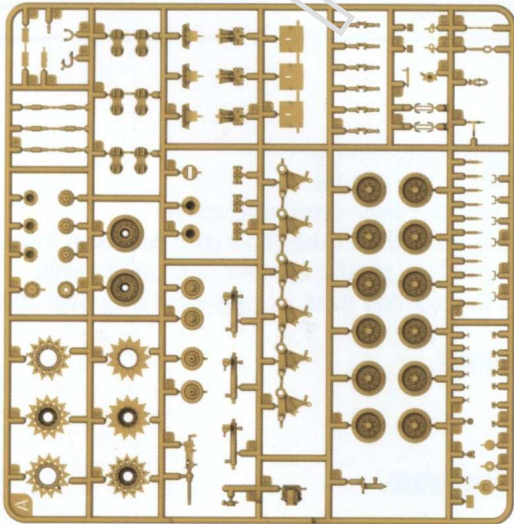
APPLY DECAL  
貼上水貼紙

## CAUTION!

Read carefully and fully understand the instructions before commencing assembly.  
Supervising adult should also read the instructions if a child assembles the model.  
When you used glue or paint, do not use near a naked flame, and use in a well-ventilated room.  
When assembling this kit, tools including knives are used. Extra care should be taken to avoid personal injury.  
Read and follow the instructions supplied with paints and/ or cement. Use plastic cement and paints only.  
Keep out of reach of small children. Children must not be allowed to suck any part, or pull vinyl bag over the head.

在裝配前仔細閱讀說明並完全理解。小孩裝配時需成人看護且需仔細閱讀說明。  
使用膠水和油漆時，應遠離火源並打開窗戶保持空氣流通。  
製作時請格外注意工具刀和零件的鋒利尖銳部分，避免對身體造成傷害。  
在使用膠水和油漆前仔細閱讀注意事項，按照說明正確使用膠水和油漆。  
請將本品放在兒童接觸不到的地方，套件中的塑膠包裝袋會對兒童造成窒息的危險。

A x2



B x1

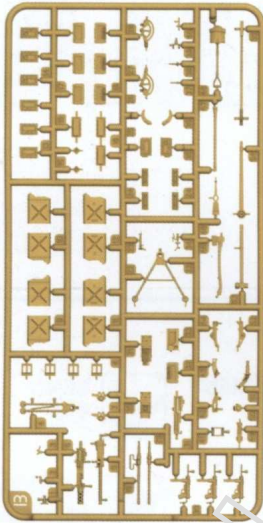
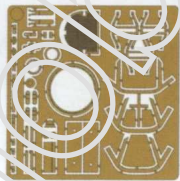


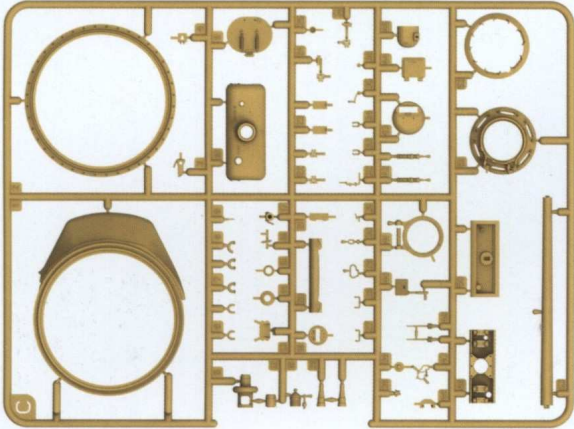
Photo-etched



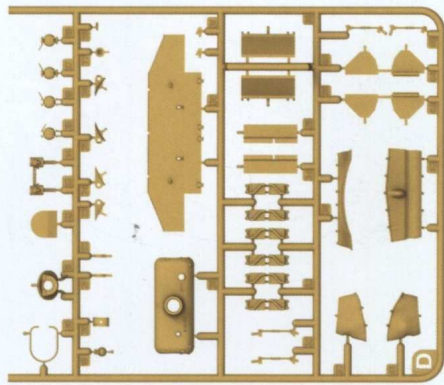
Decal



C x1



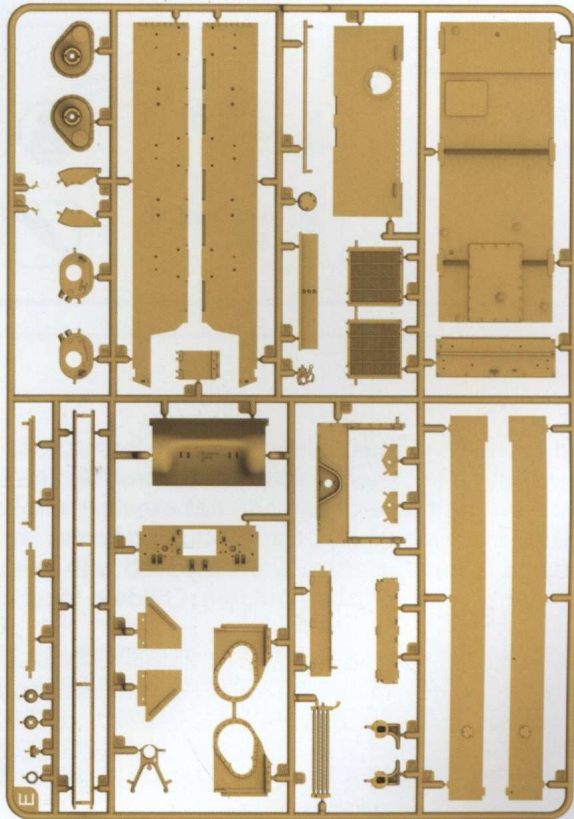
D x1



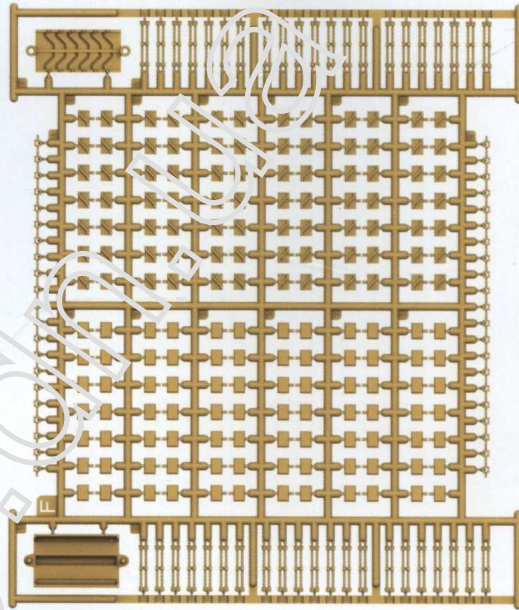
T x1



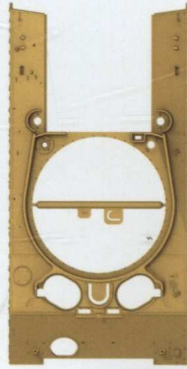
E x1



F x4



Lower Hull



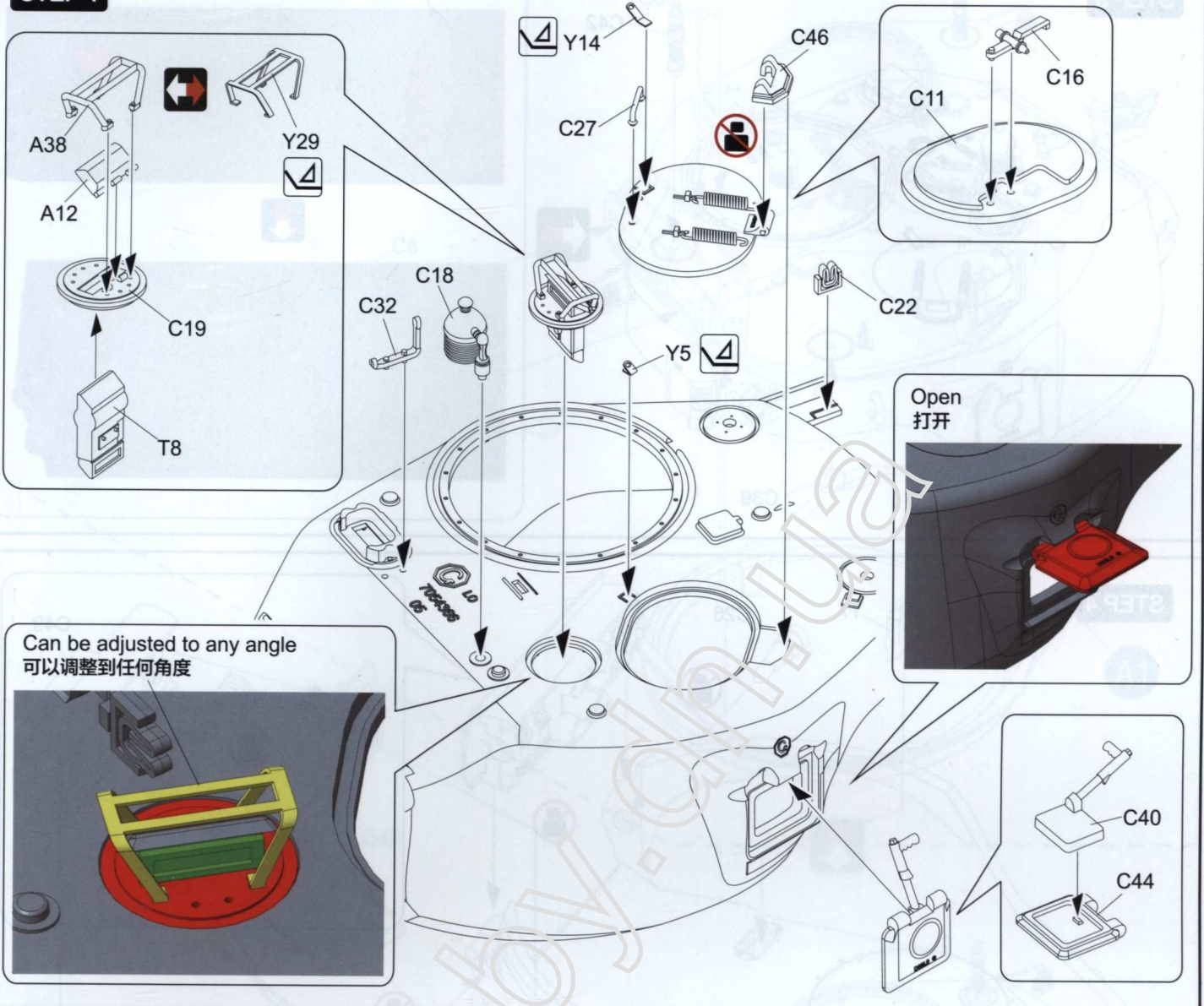
Upper Hull



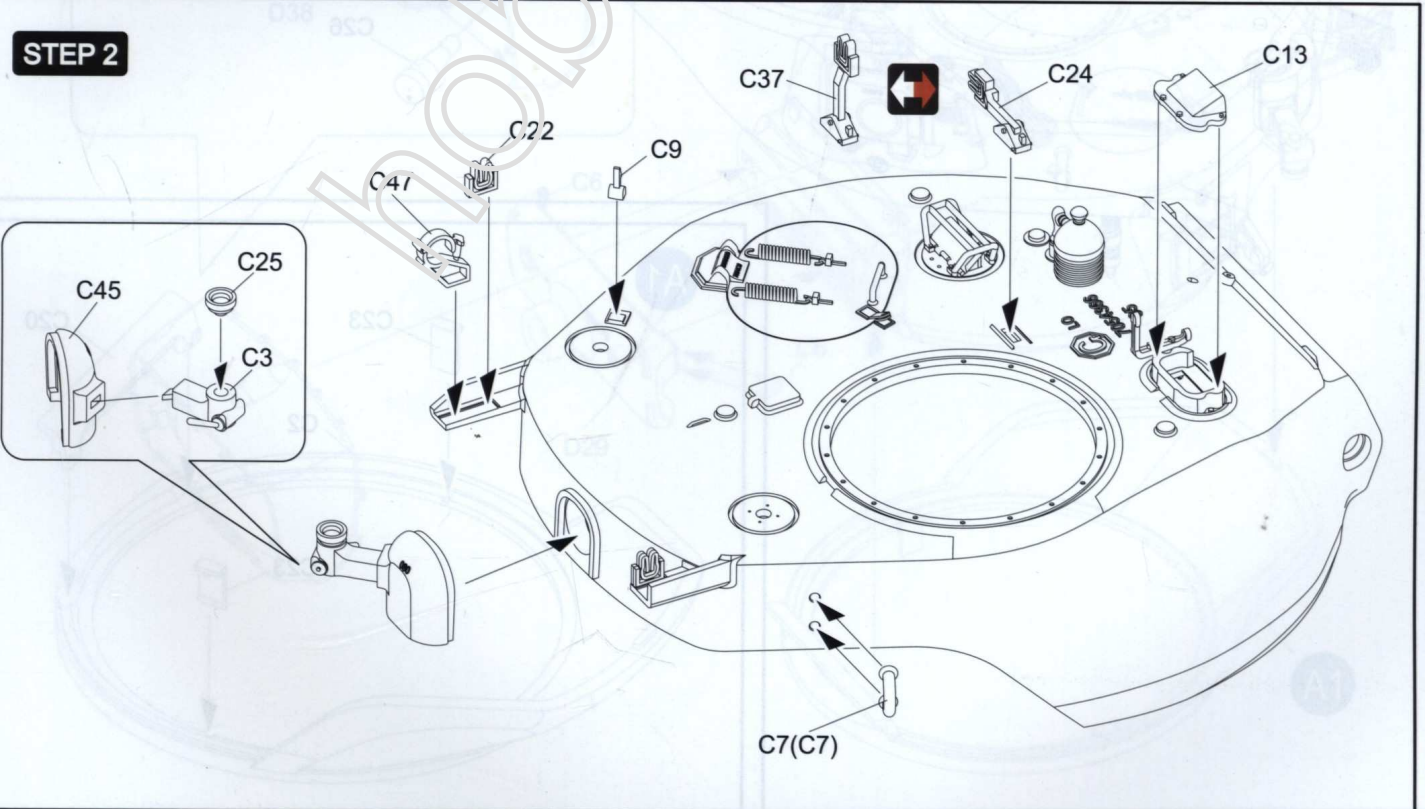
Poly Cap



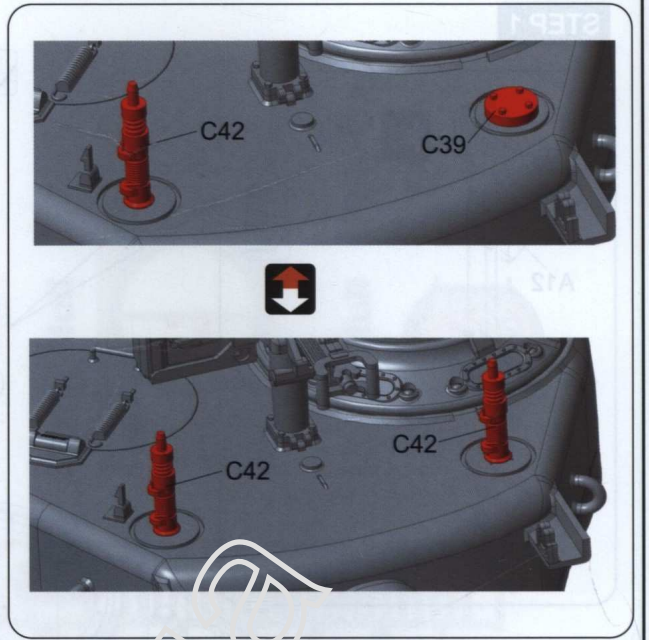
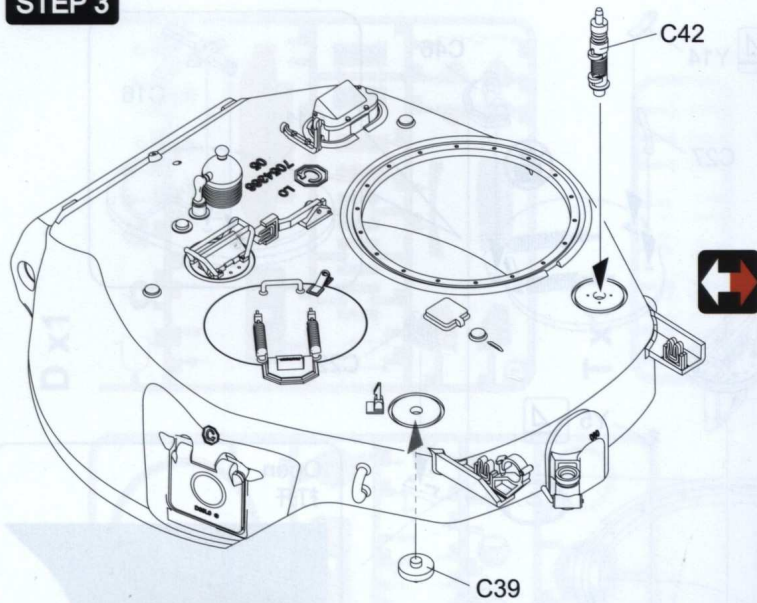
# STEP 1



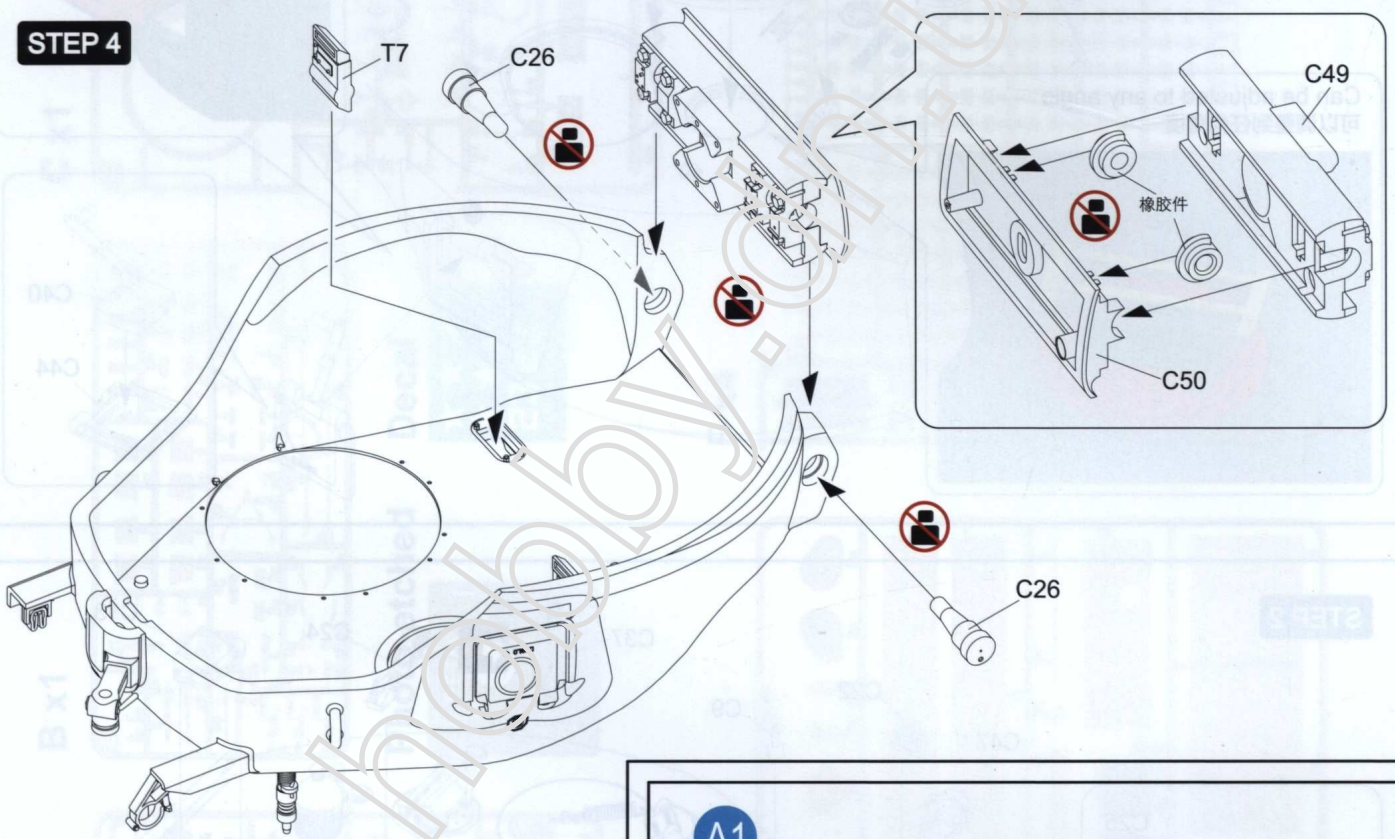
# STEP 2



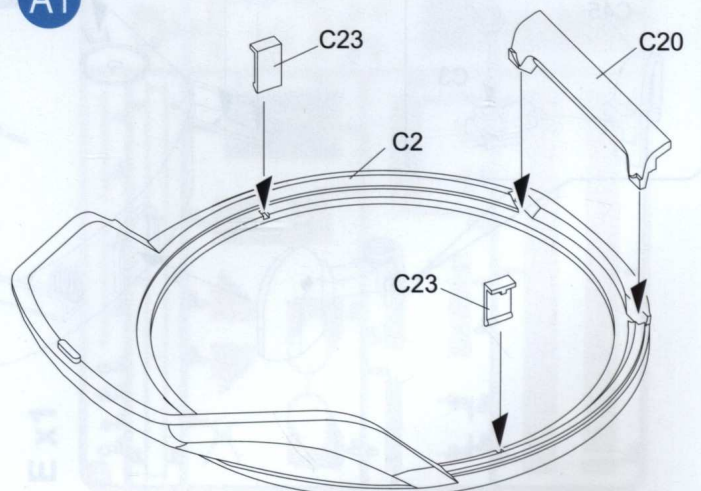
**STEP 3**



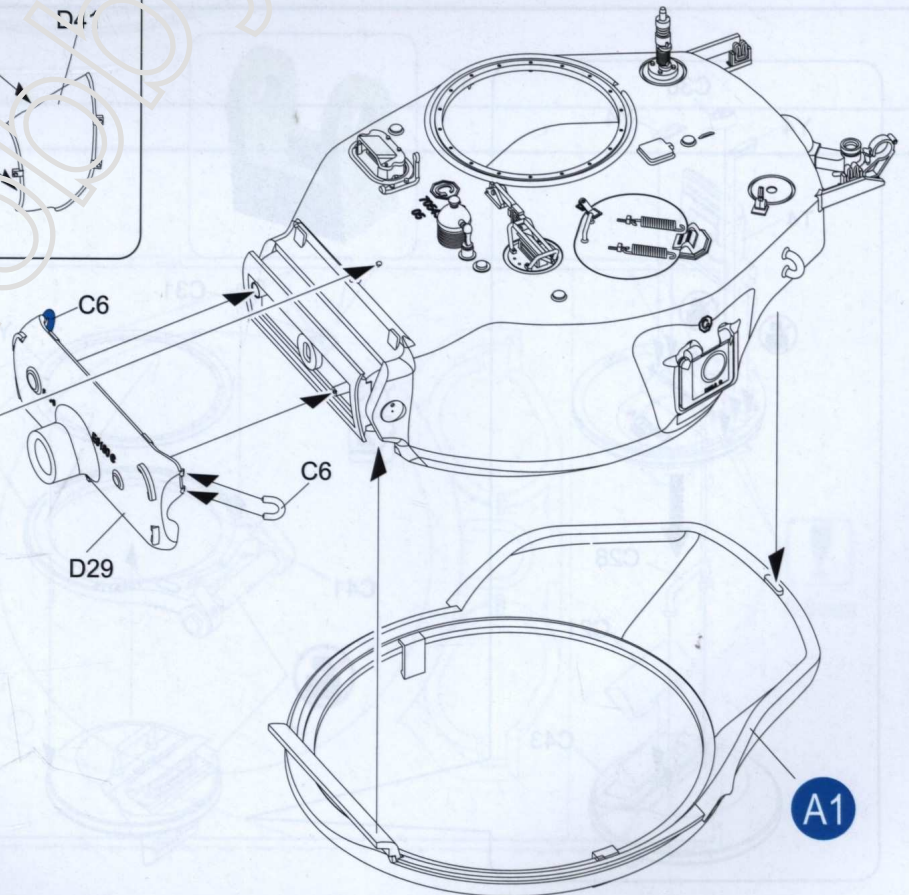
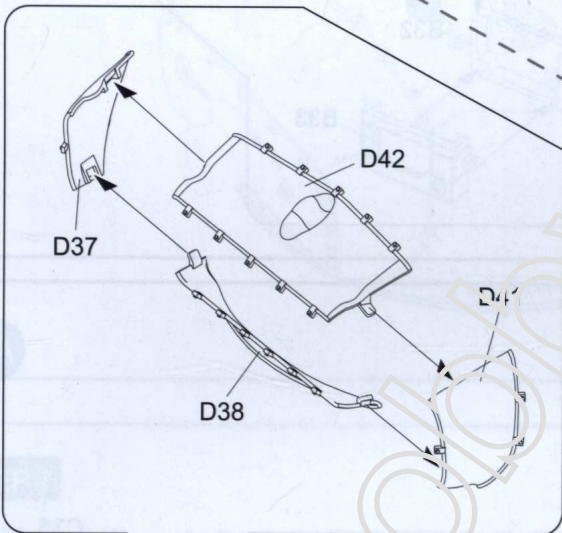
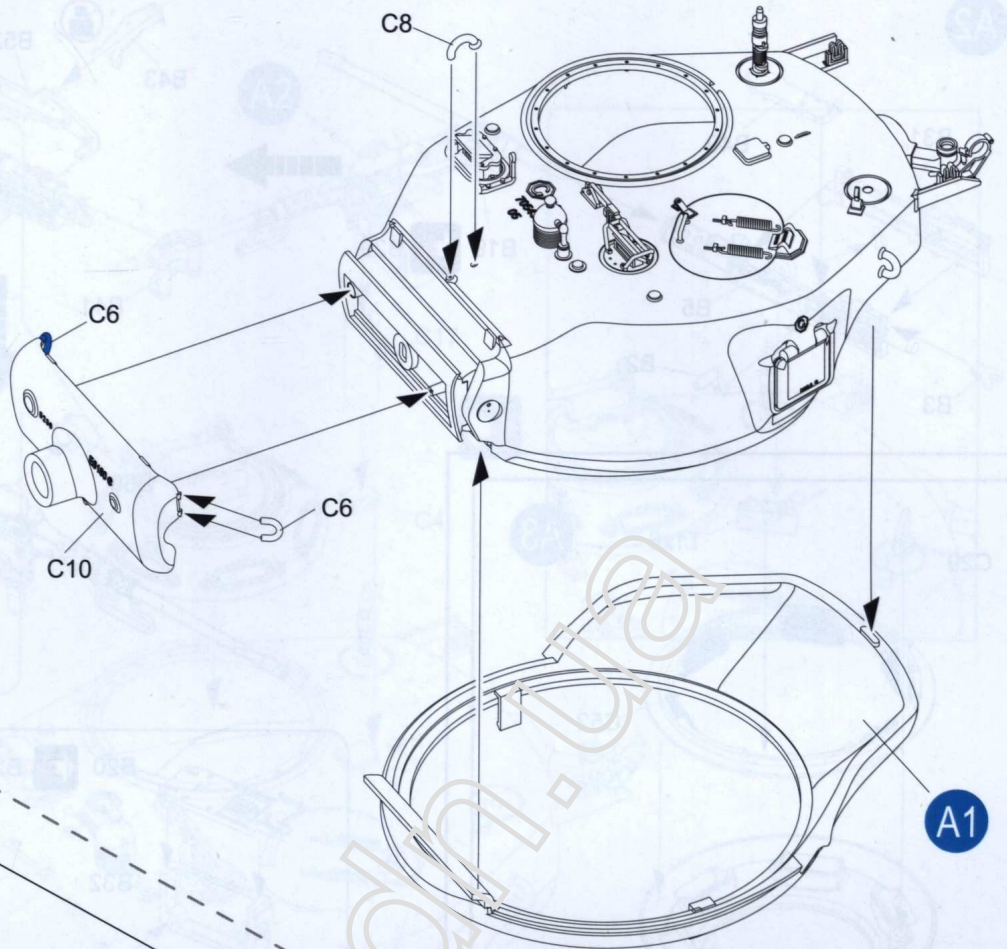
**STEP 4**



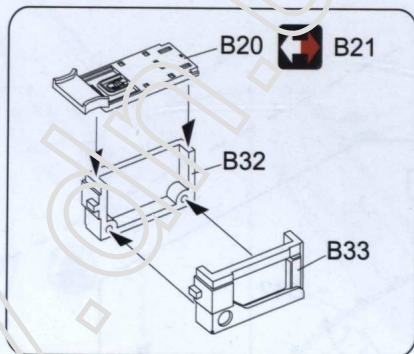
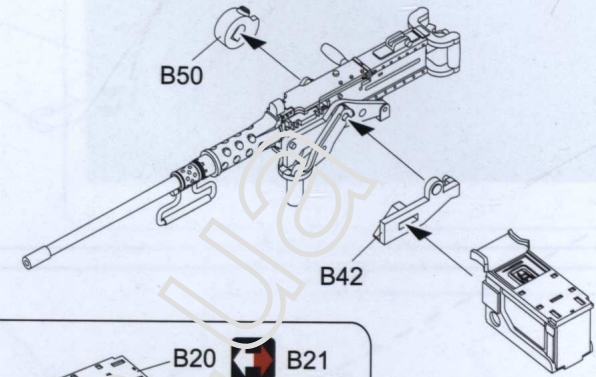
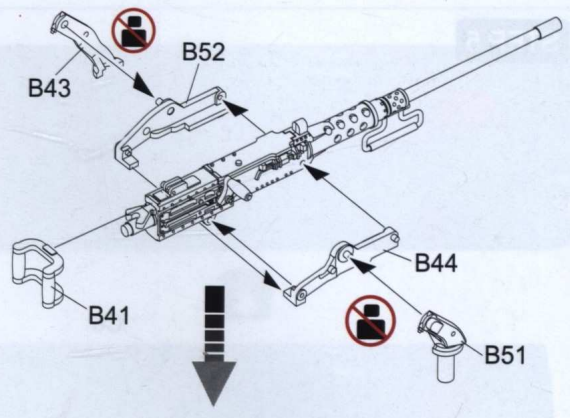
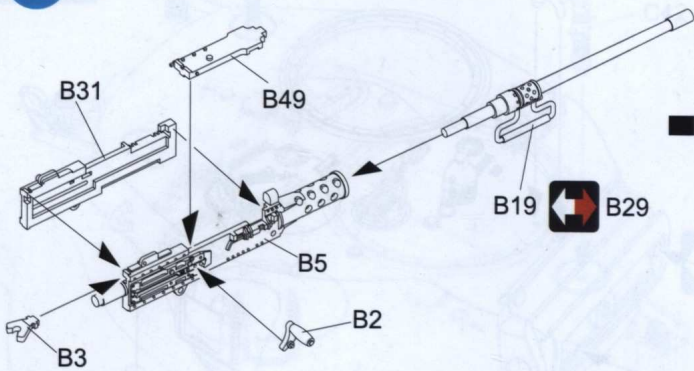
**A1**



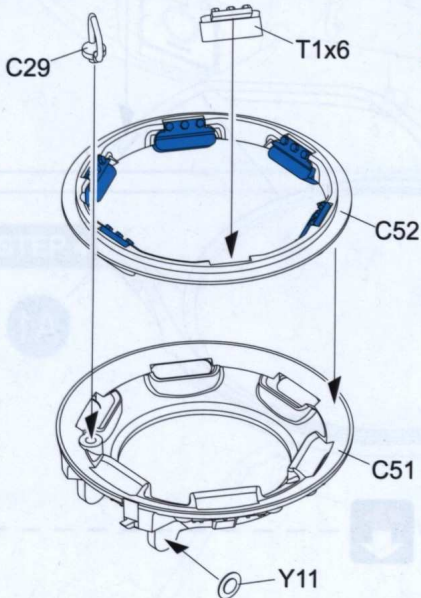
**STEP 5**



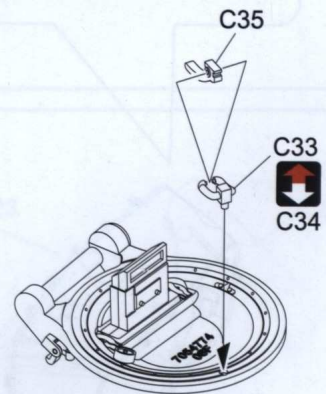
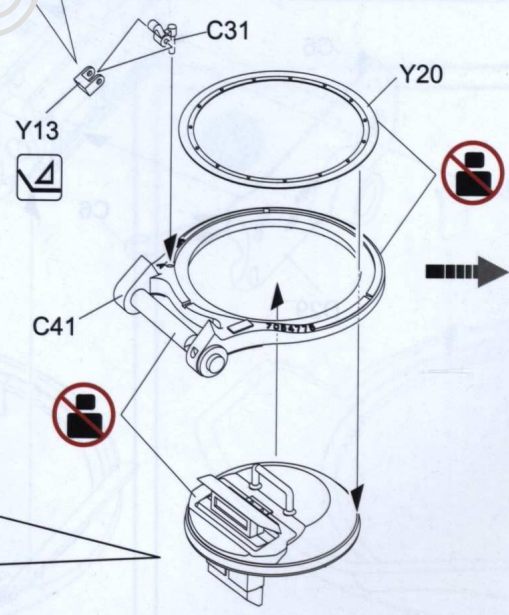
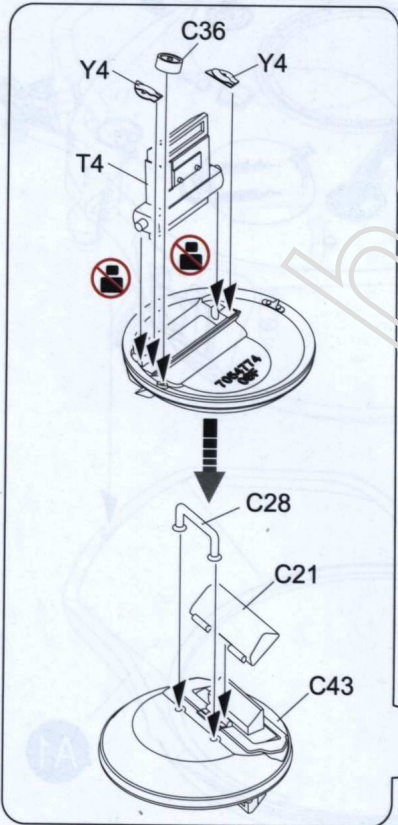
A2



A3

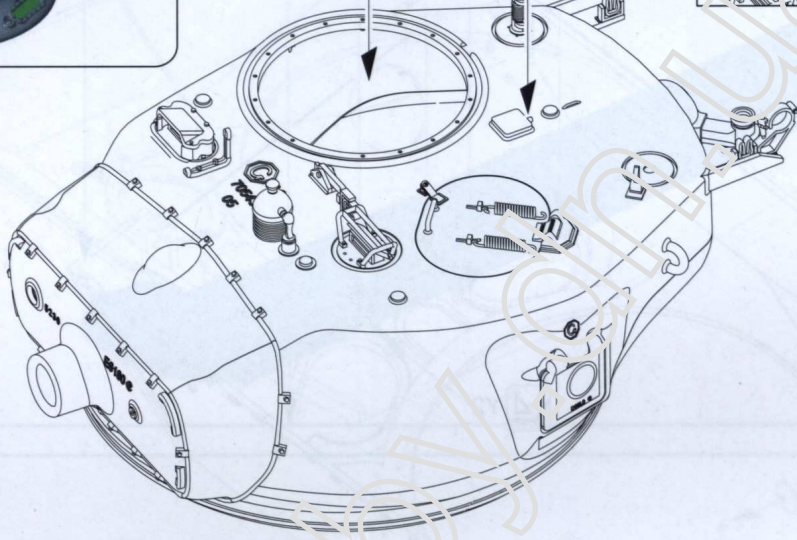
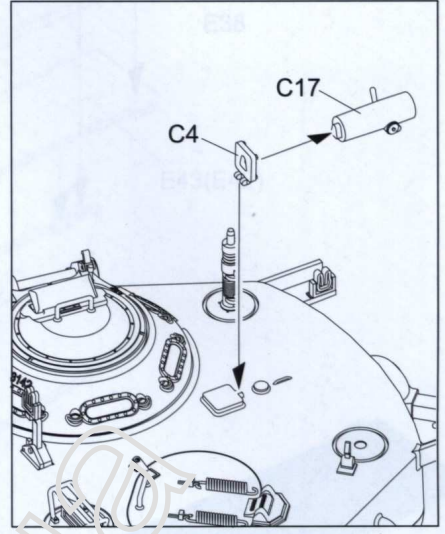
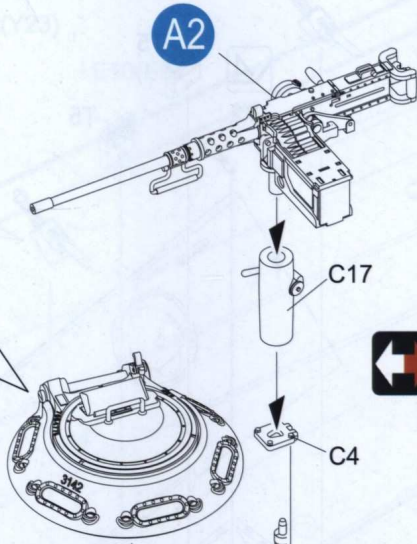
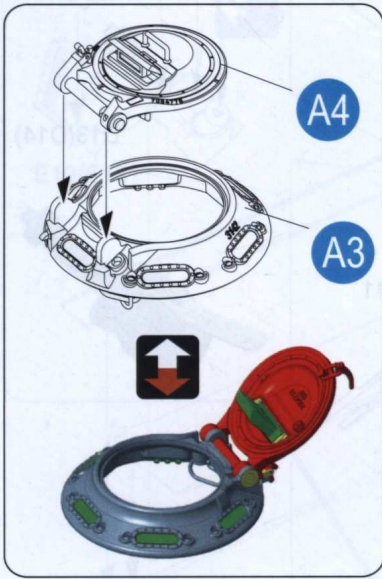


A4

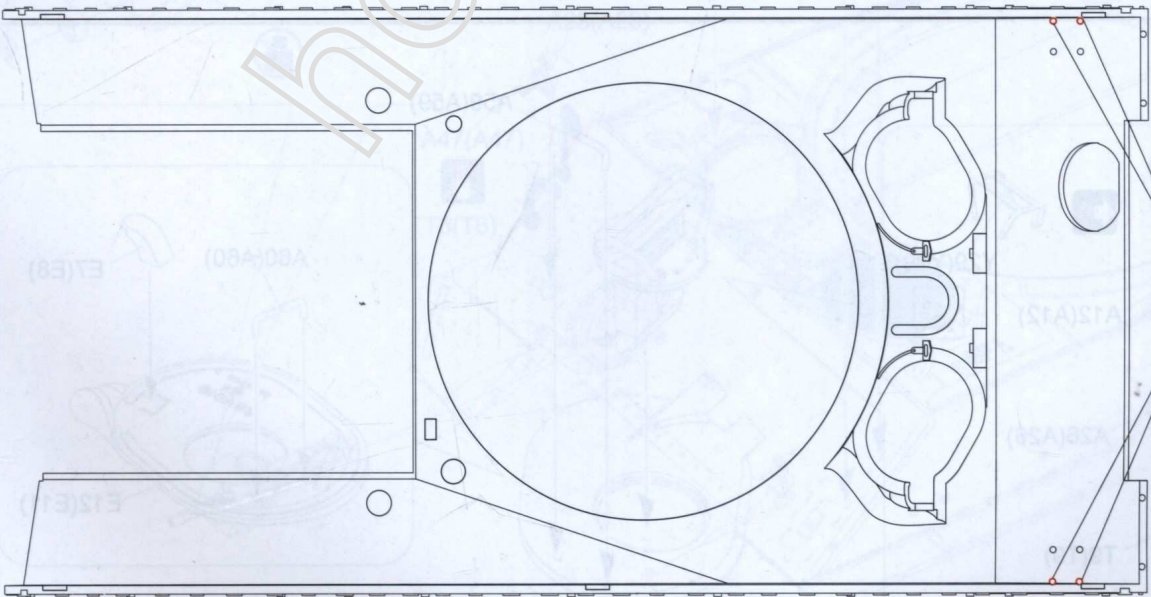


**STEP 6**

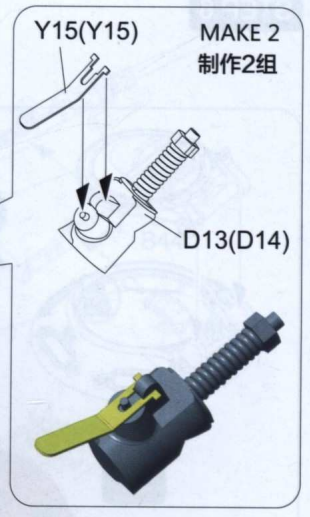
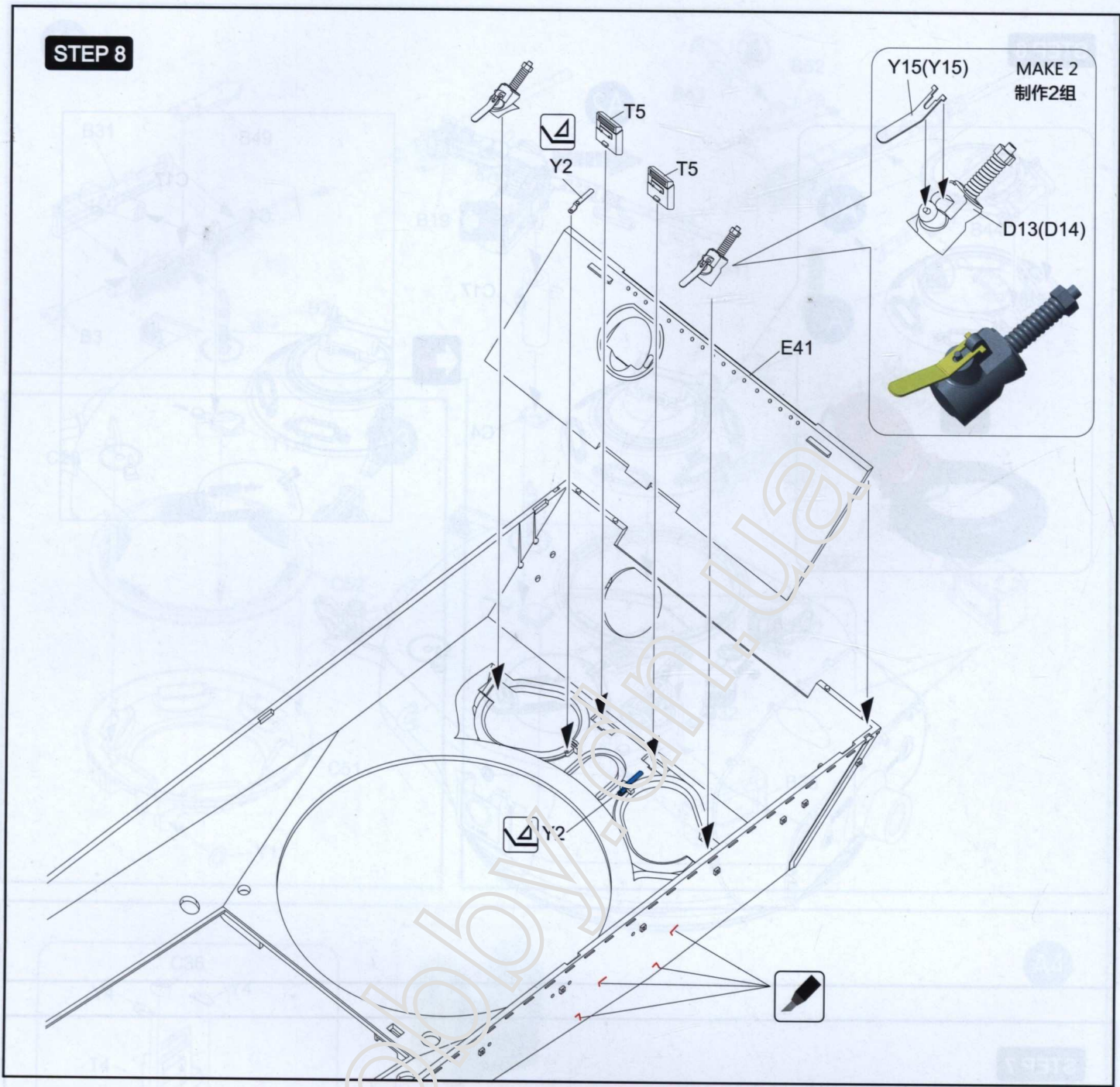
STEP 6



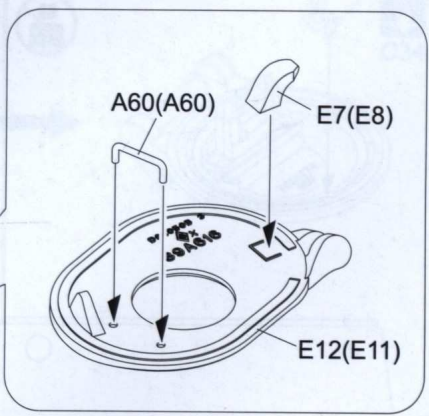
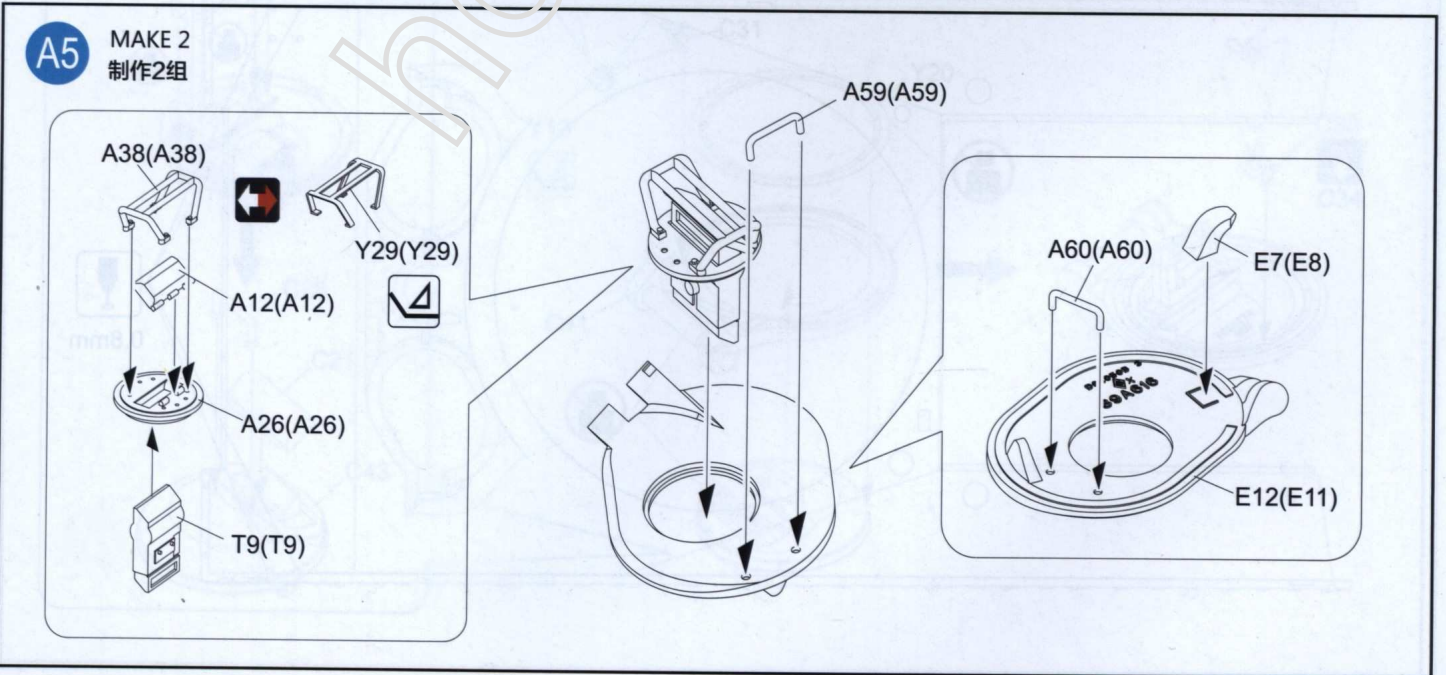
**STEP 7**



**STEP 8**

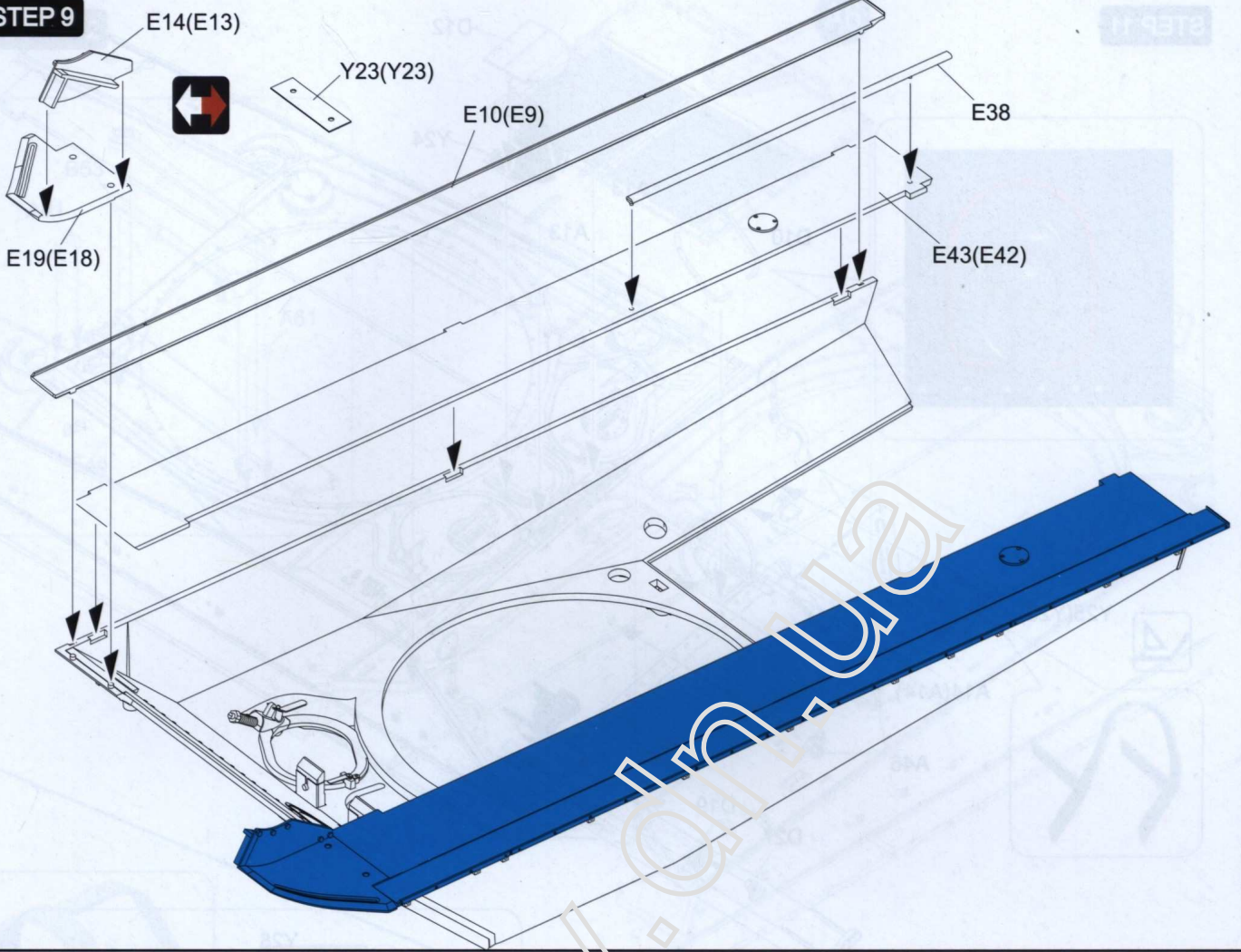


**A5** MAKE 2  
制作2组

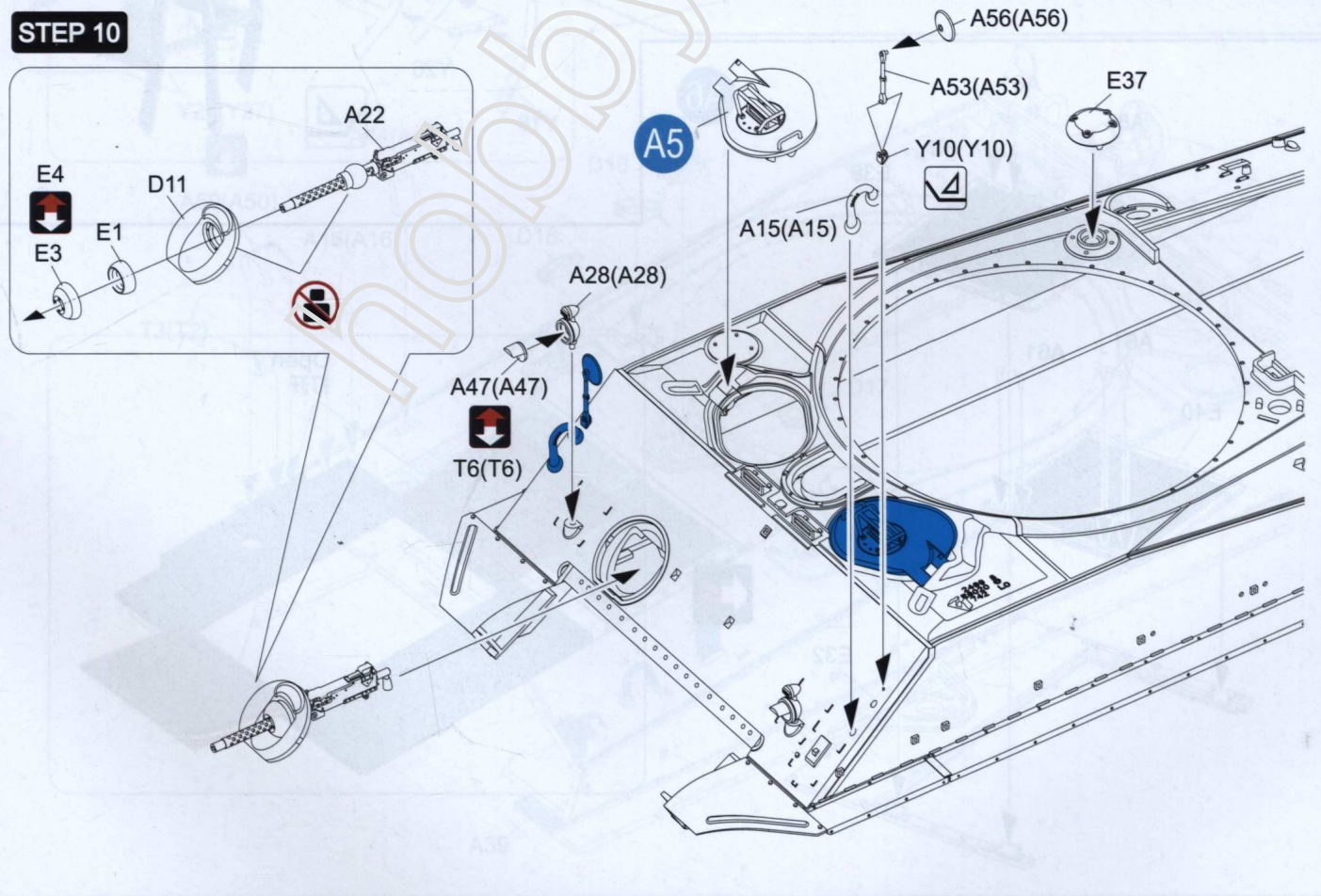




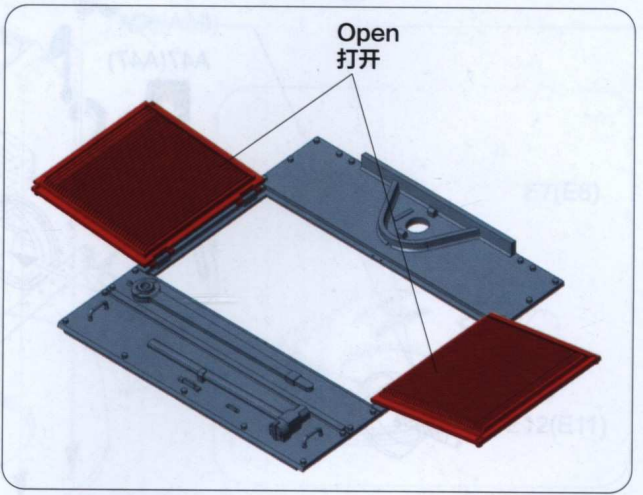
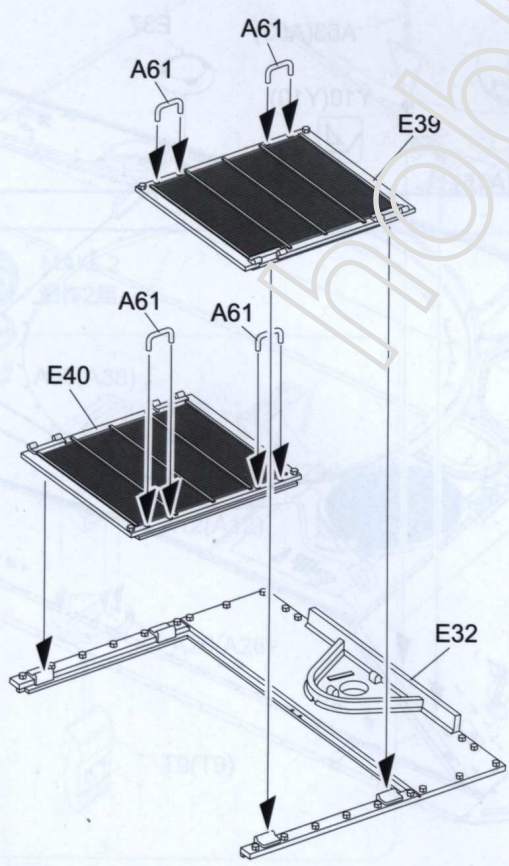
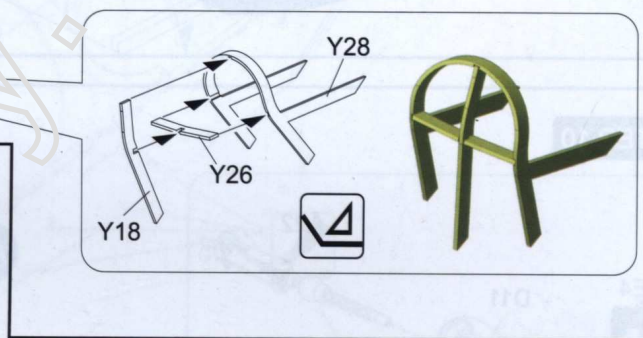
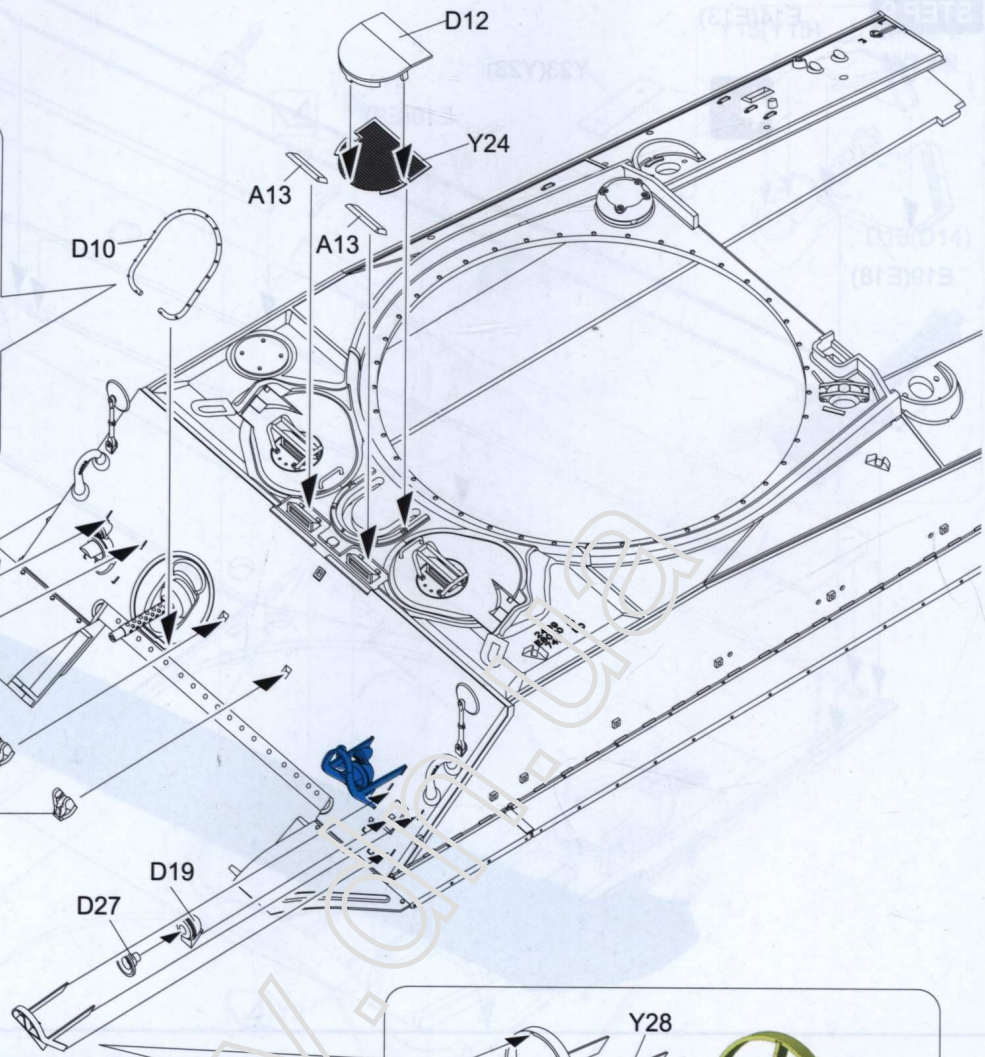
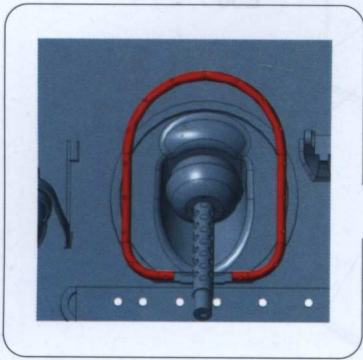
**STEP 9**



**STEP 10**

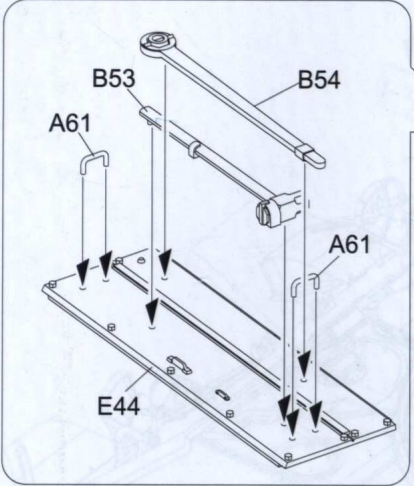


**STEP 11**

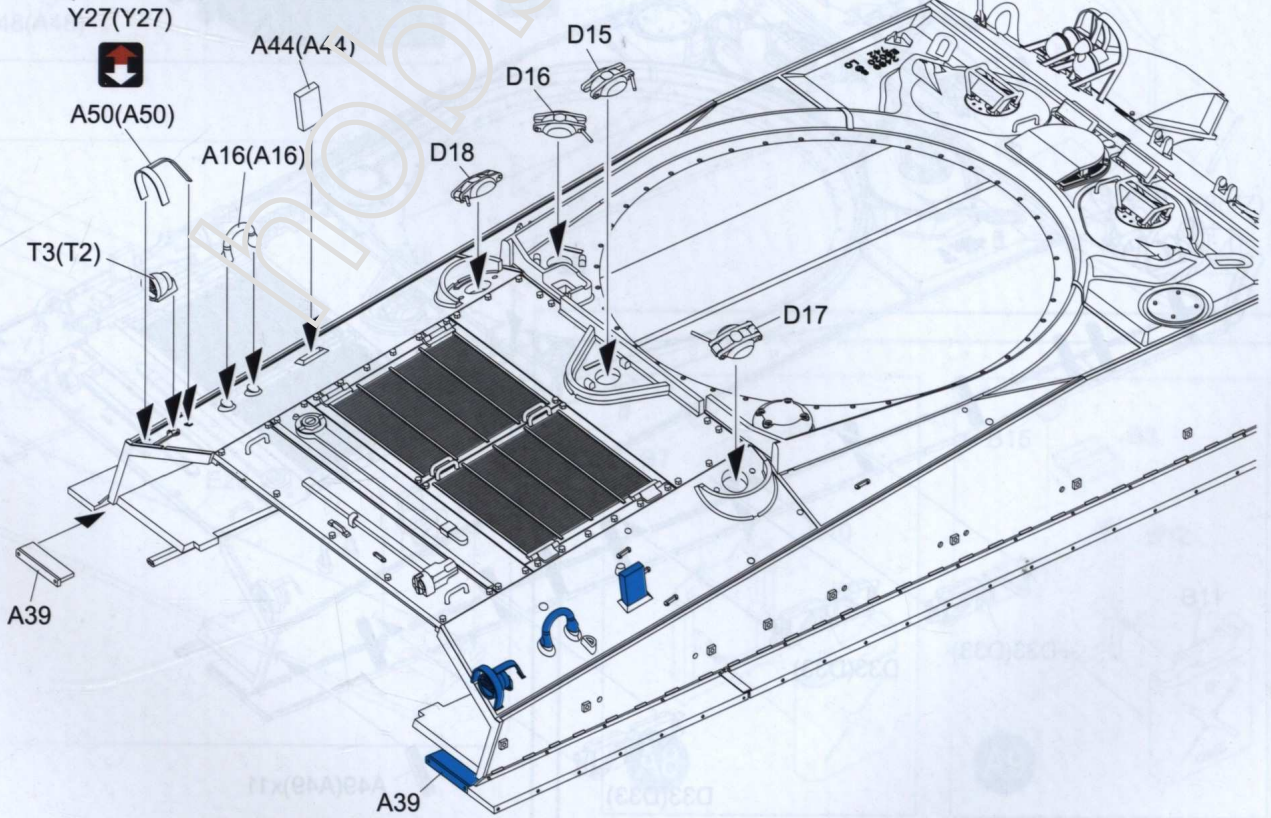
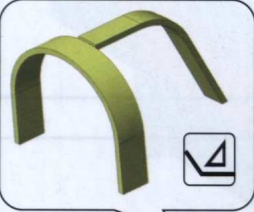


**STEP 12**

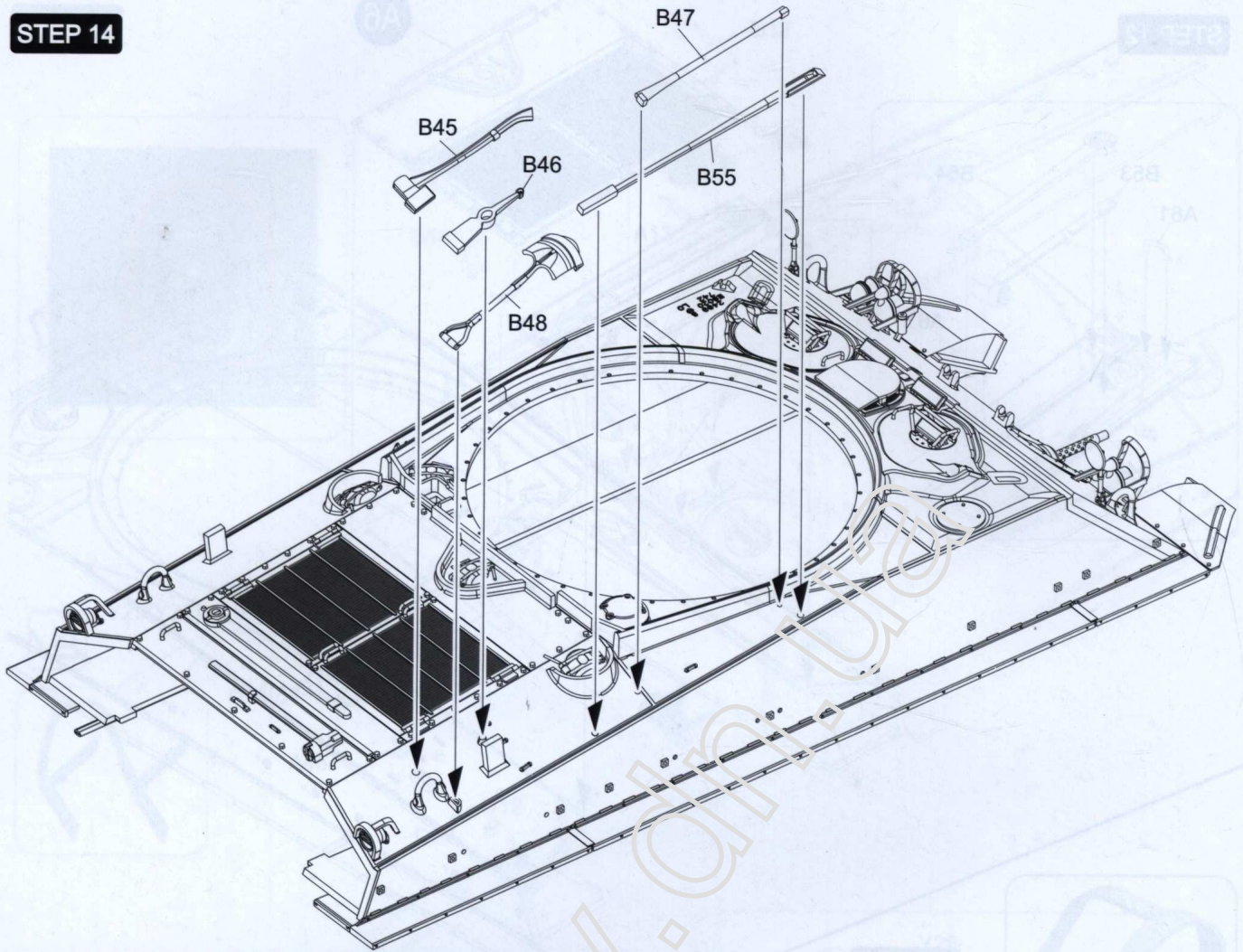
A6



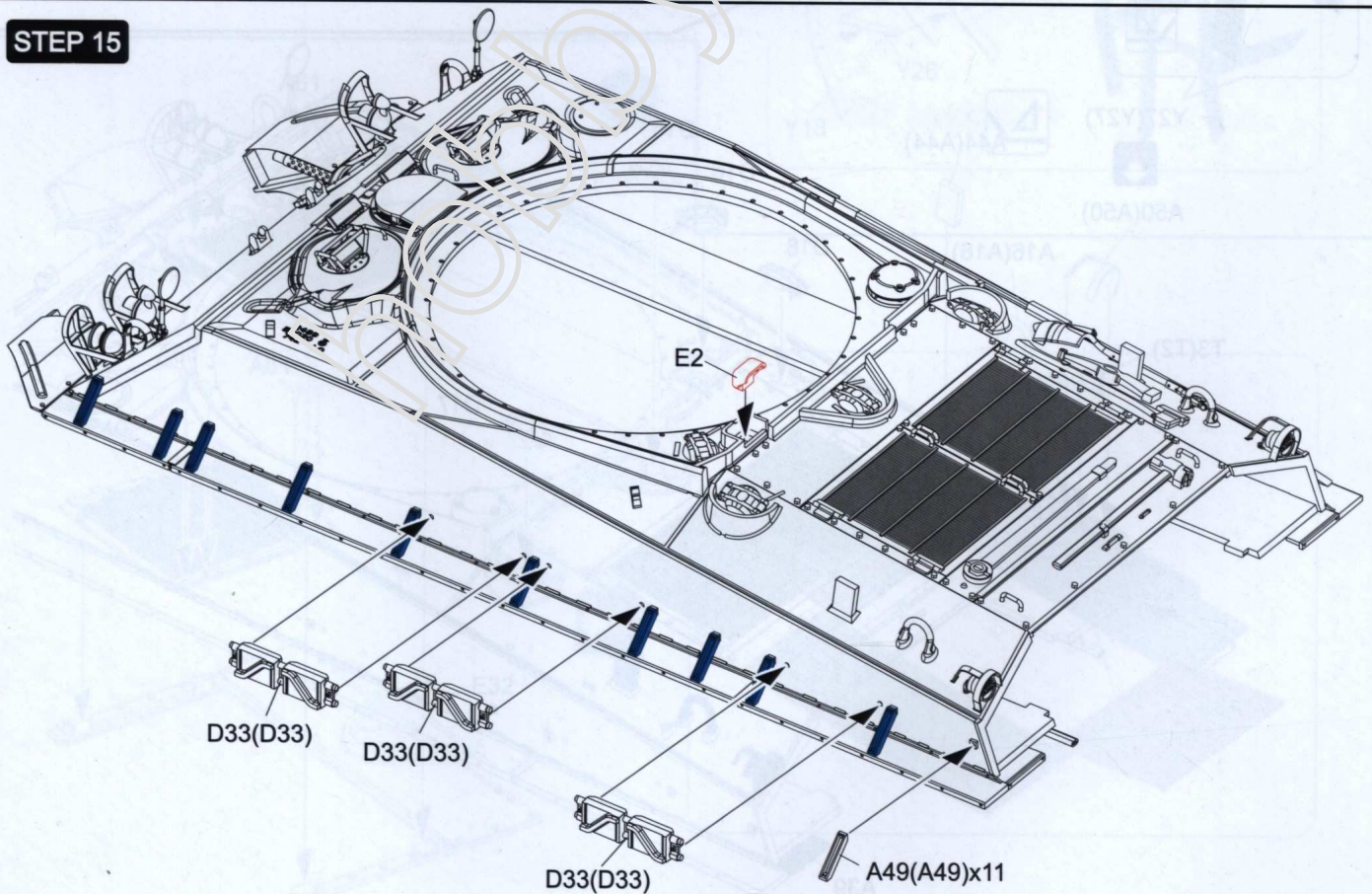
**STEP 13**



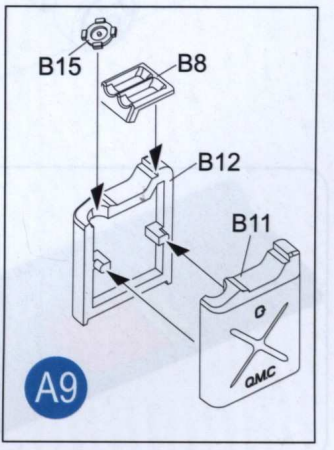
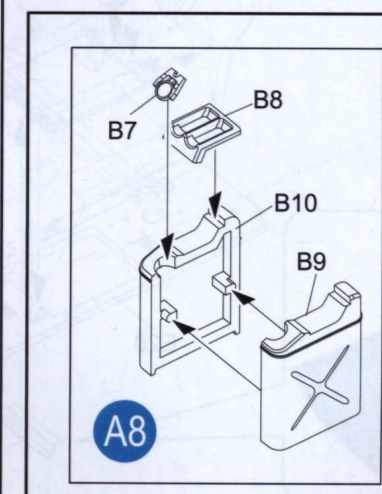
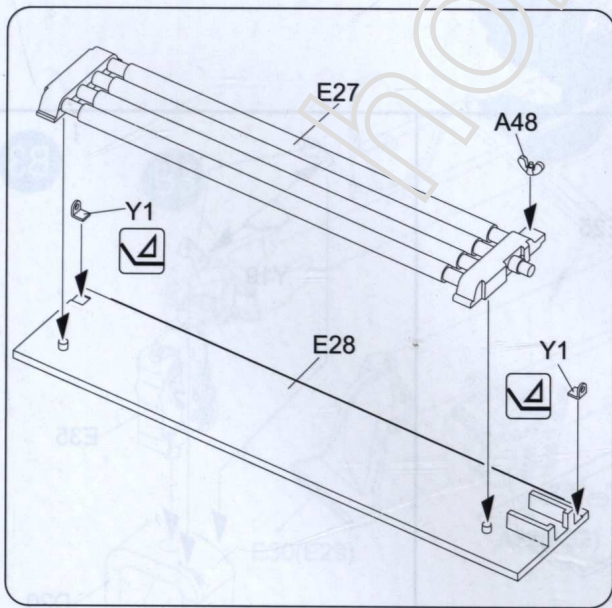
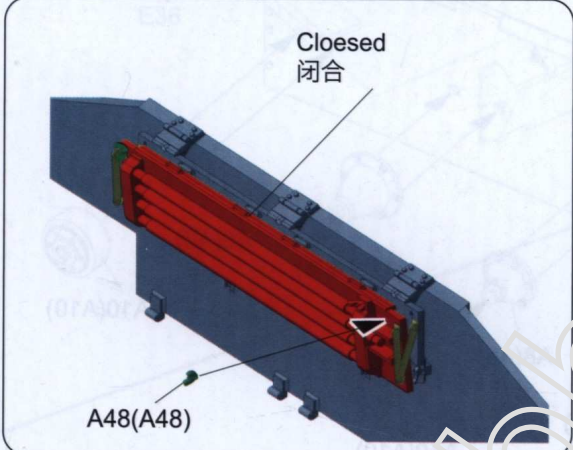
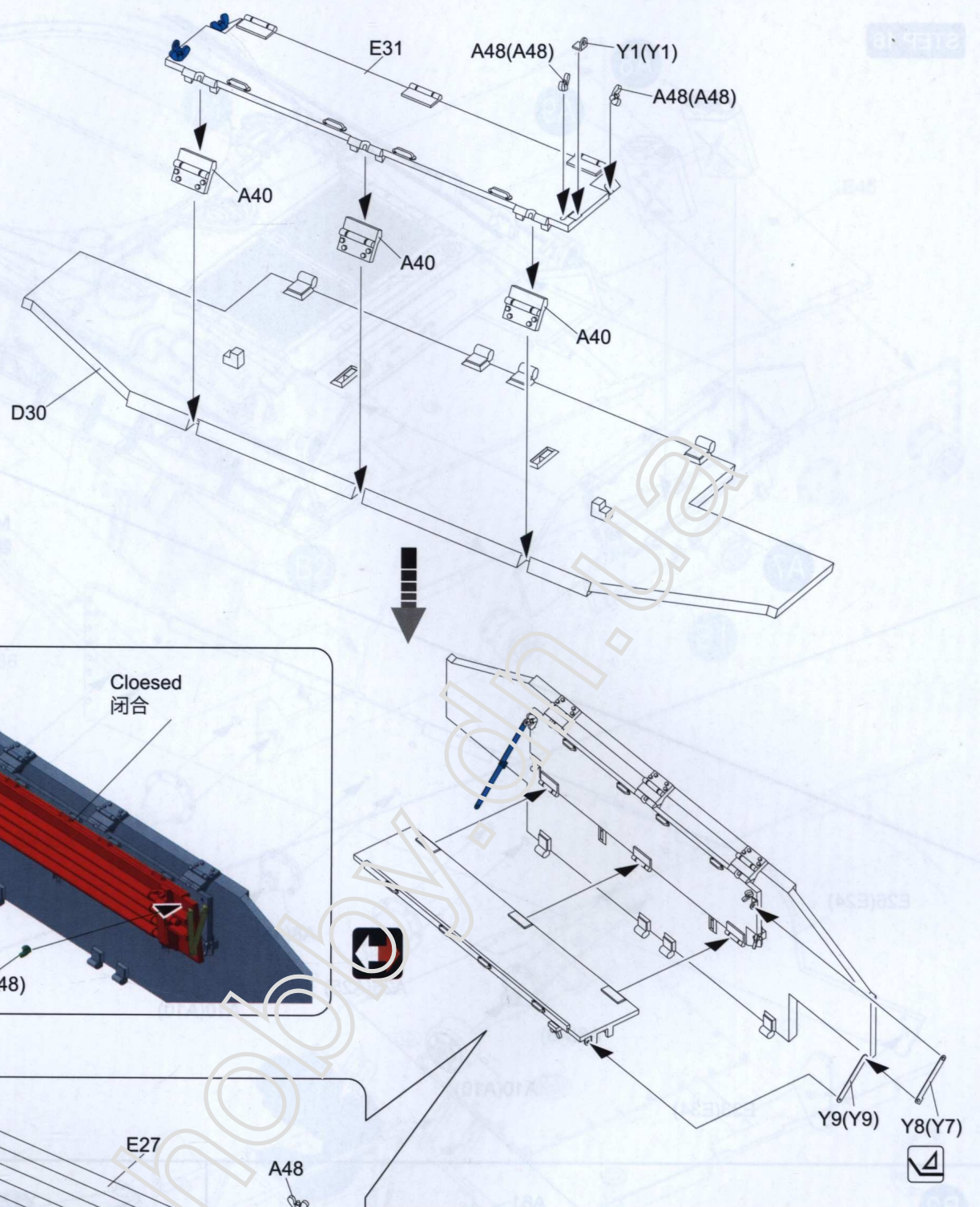
STEP 14



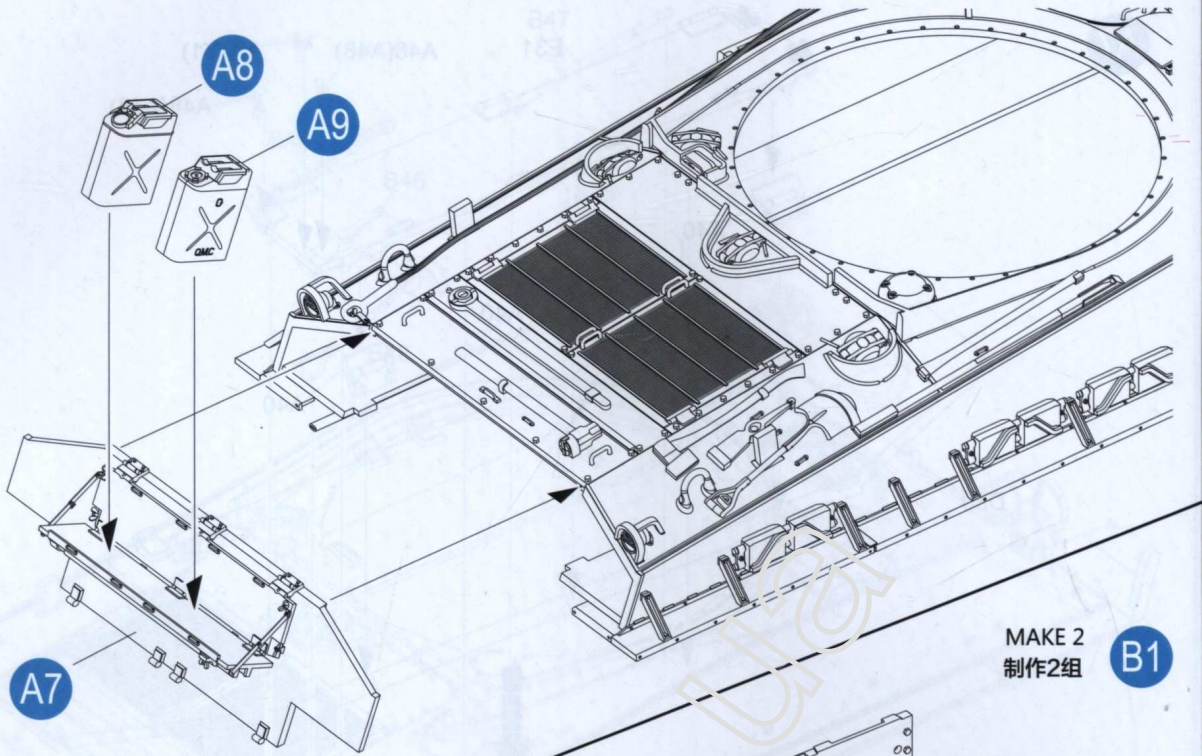
STEP 15



A7

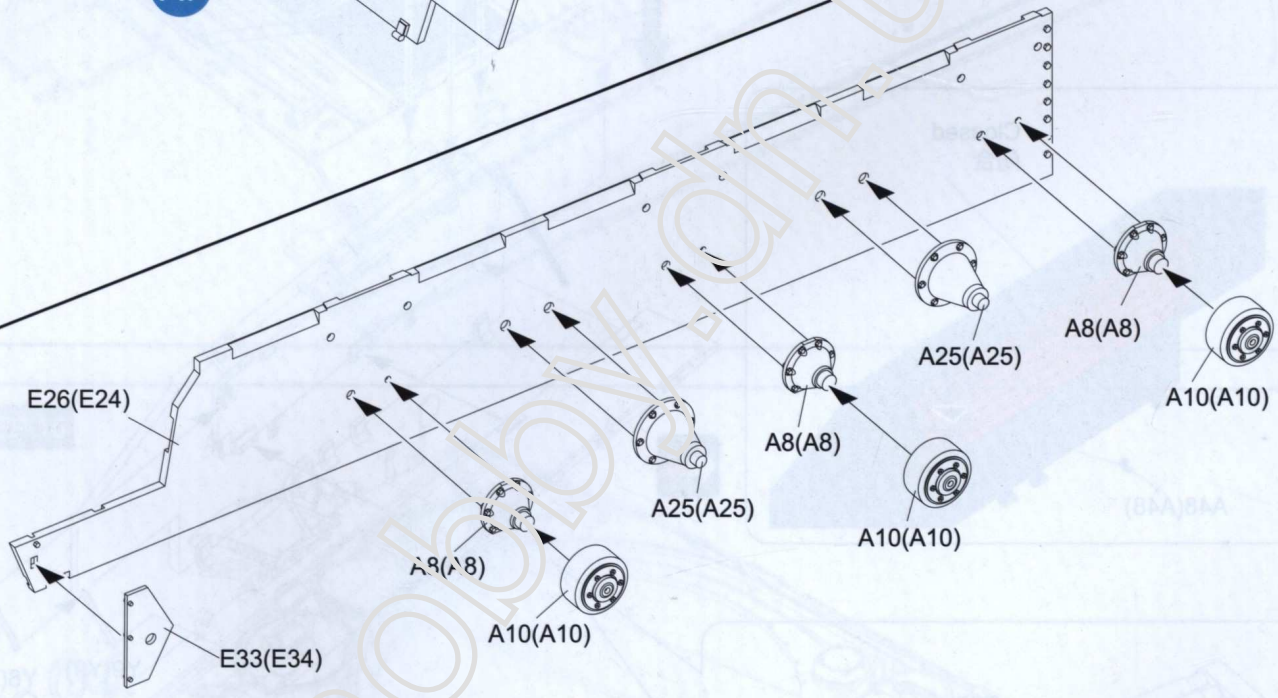


**STEP 16**

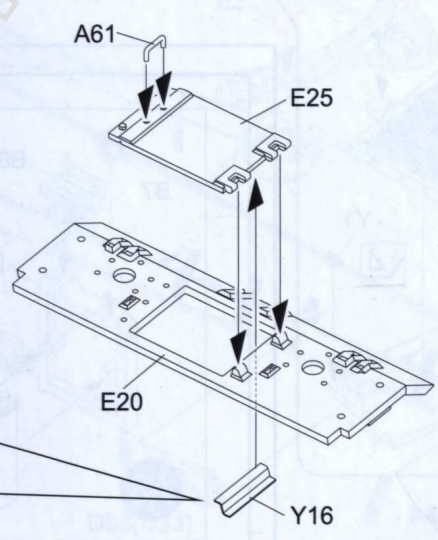
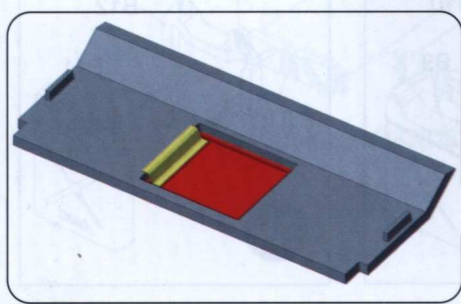


MAKE 2  
制作2组

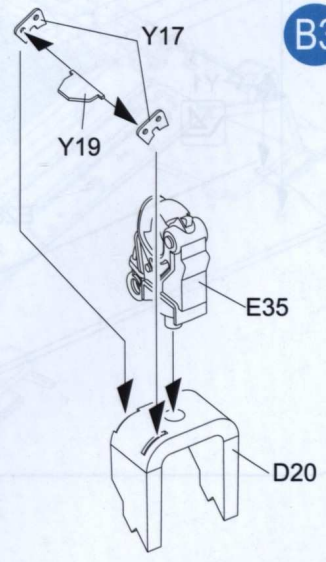
**B1**



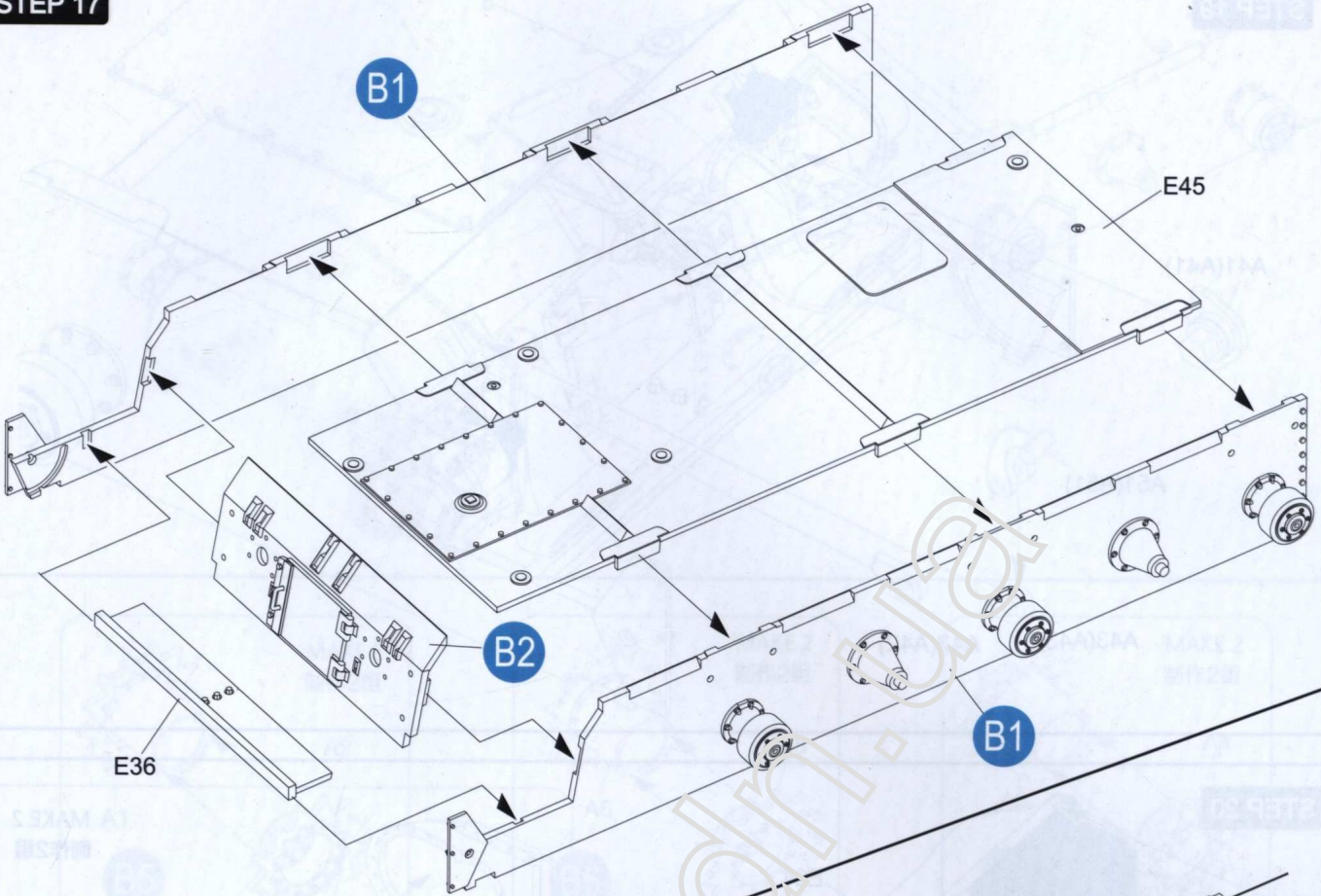
**B2**



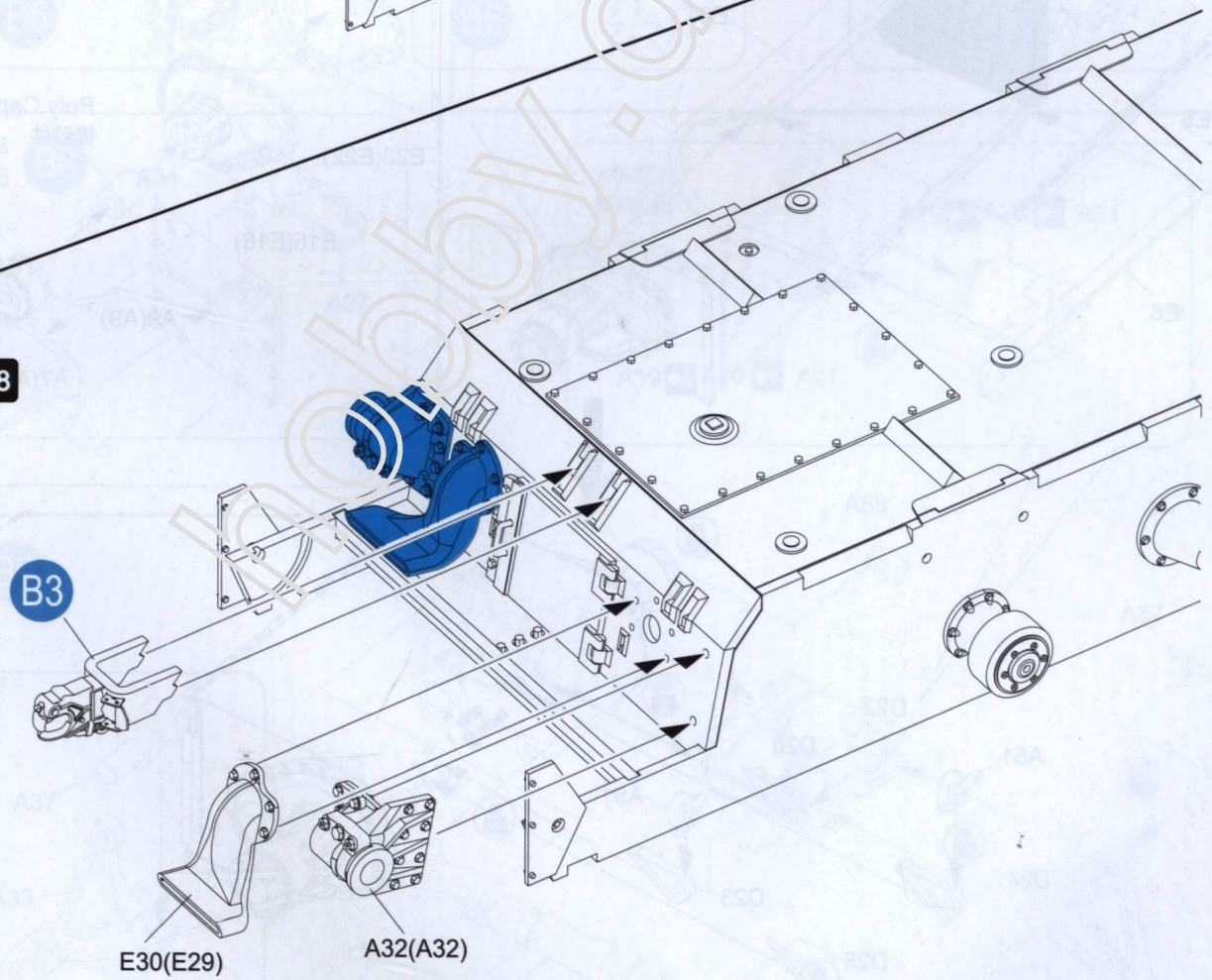
**B3**



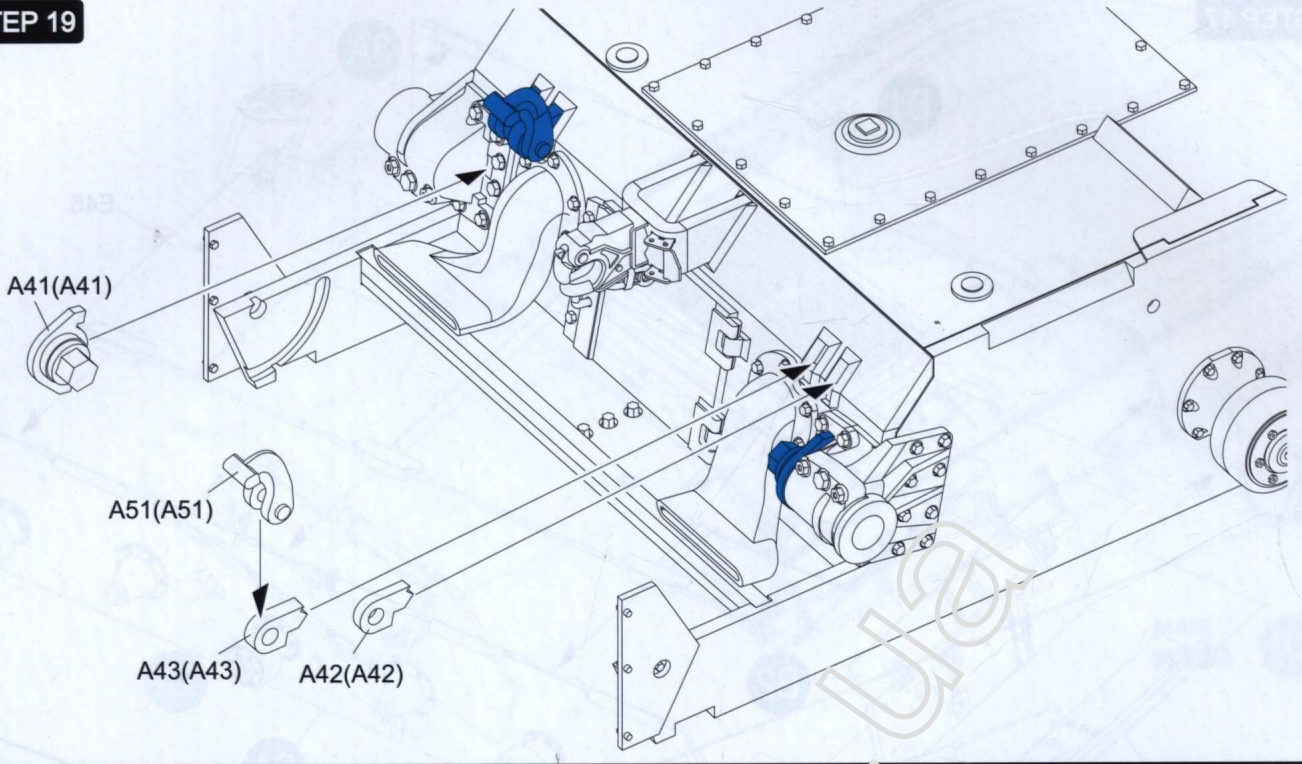
**STEP 17**



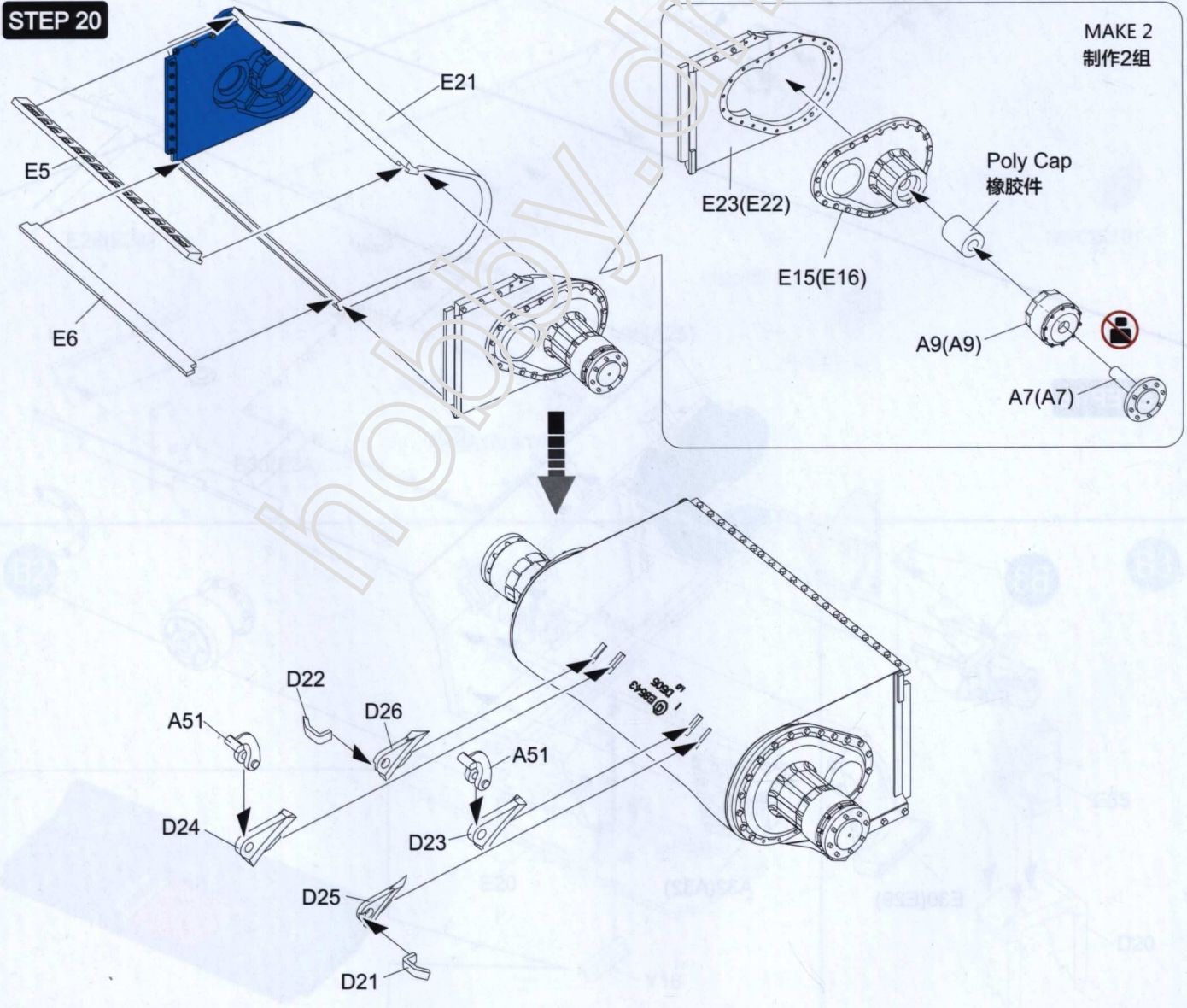
**STEP 18**



**STEP 19**

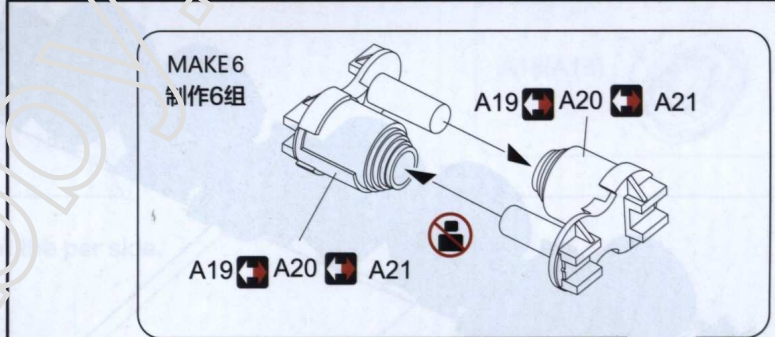
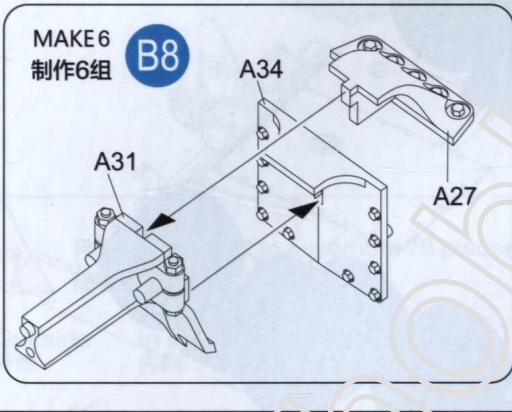
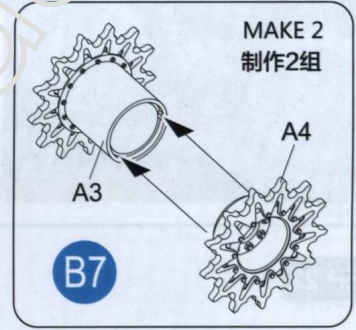
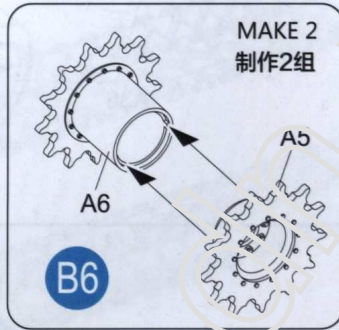
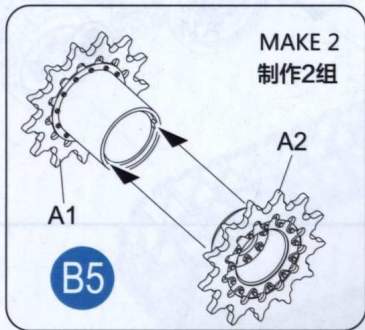
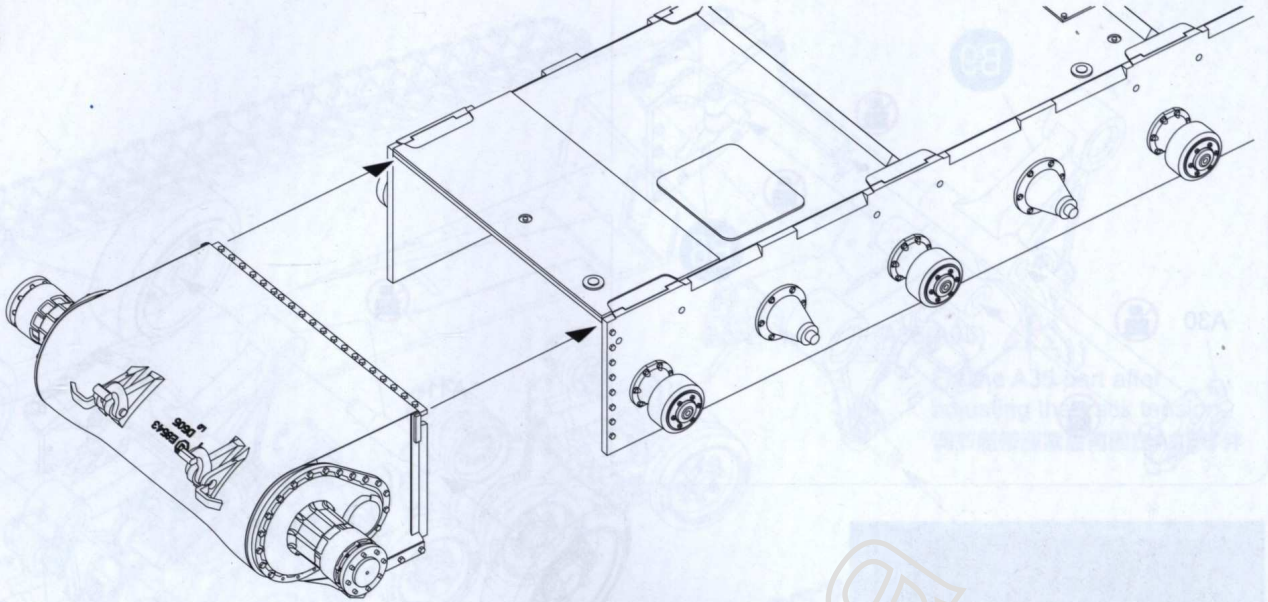


**STEP 20**



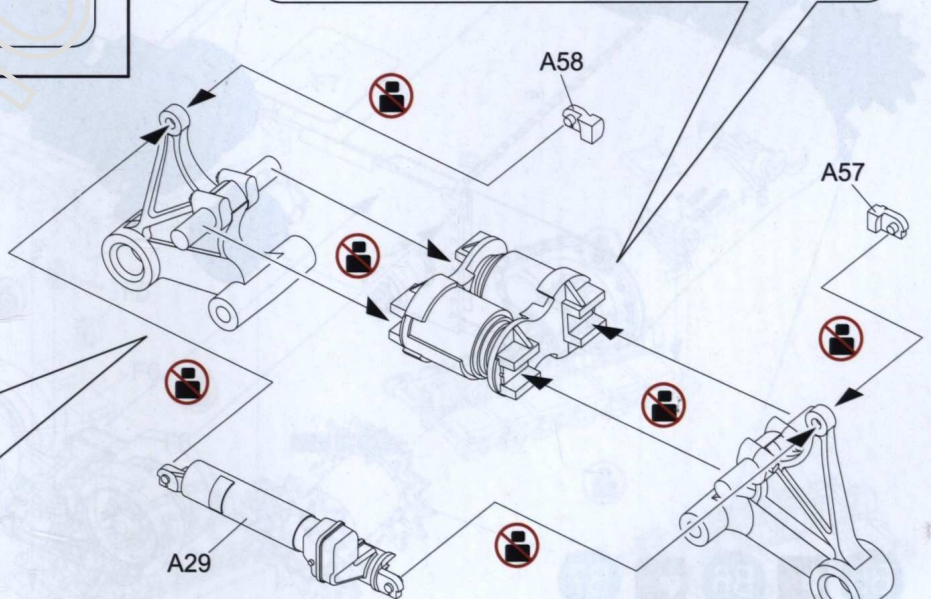
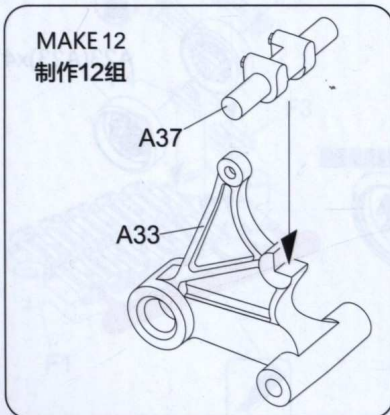


**STEP 21**

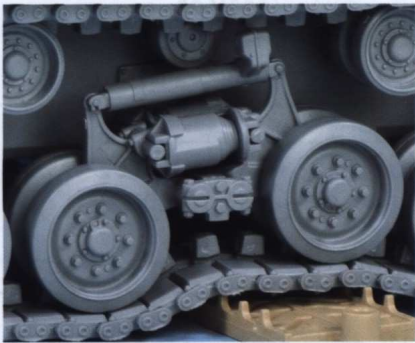
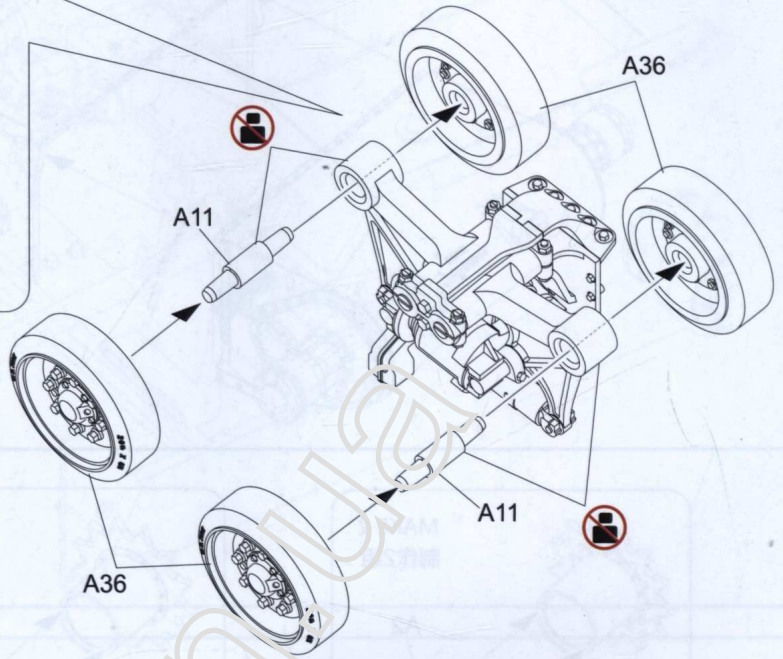
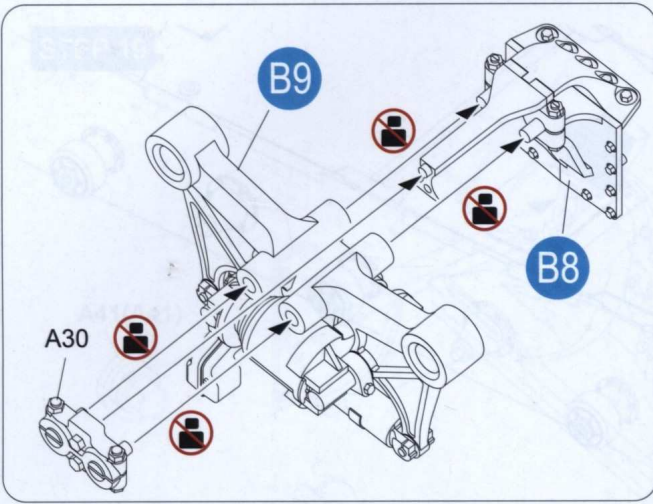


**MAKE 6**  
制作6组

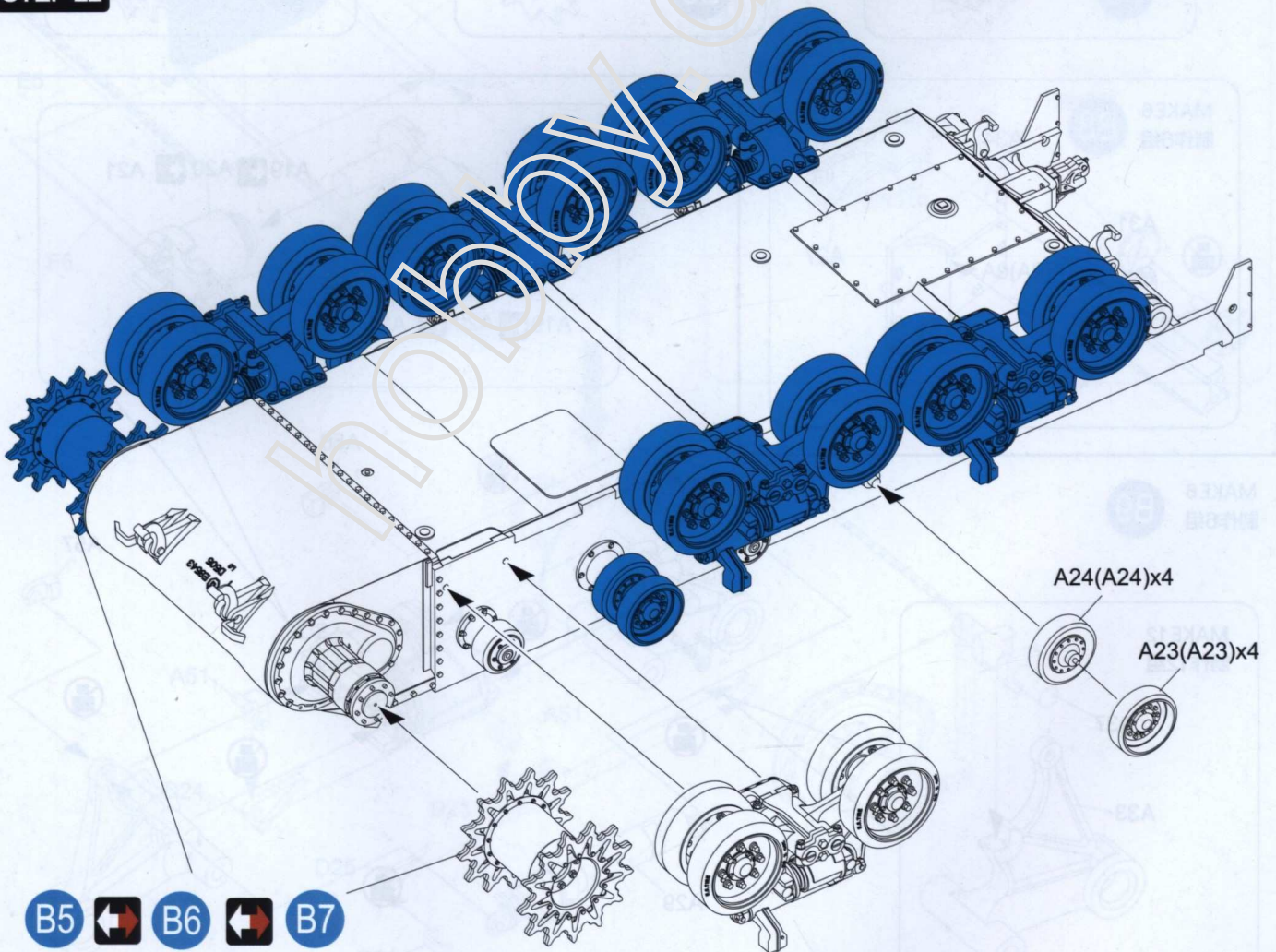
**B9**



MAKE6  
制作6组

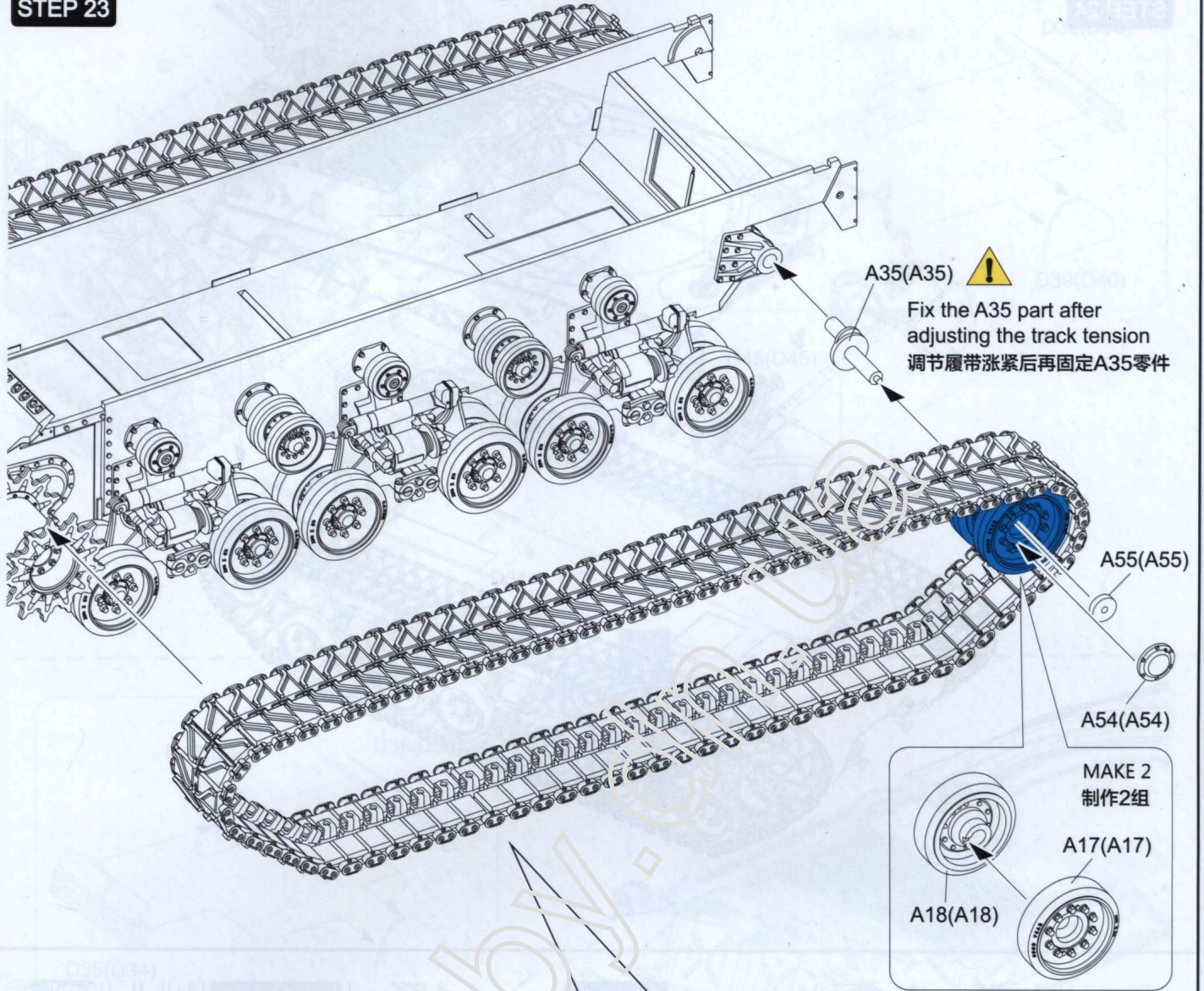



STEP 22

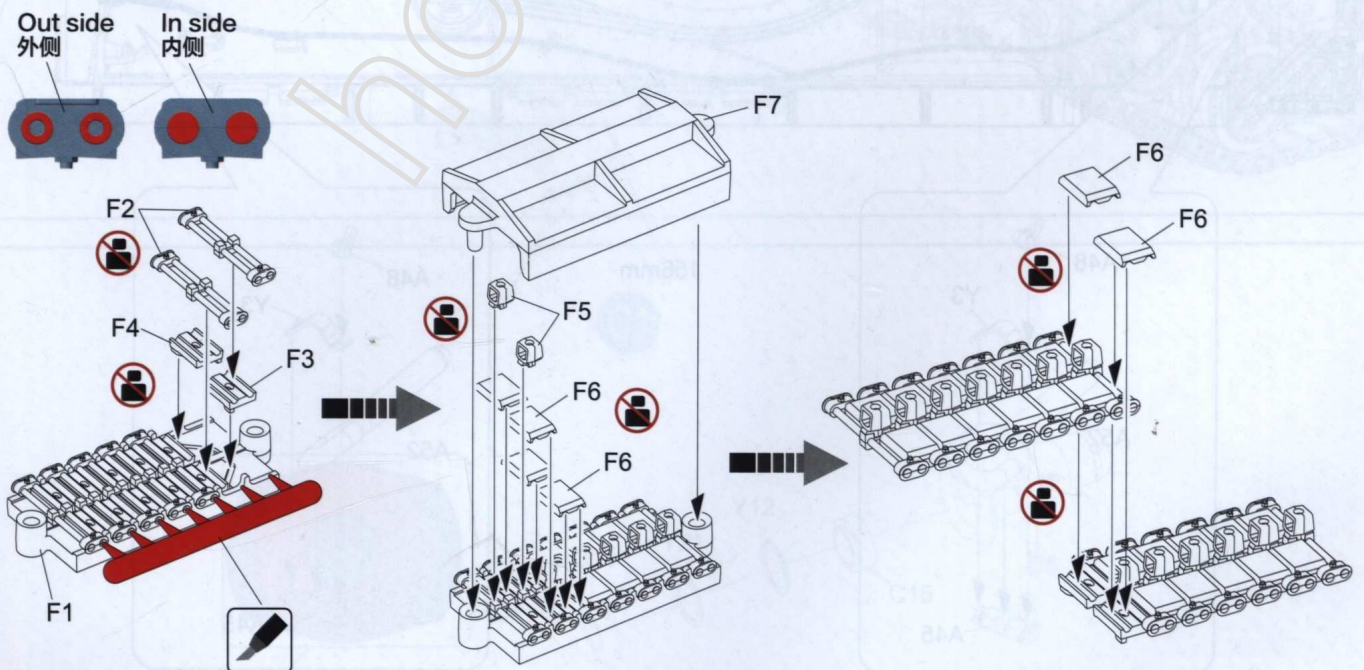


**STEP 23**

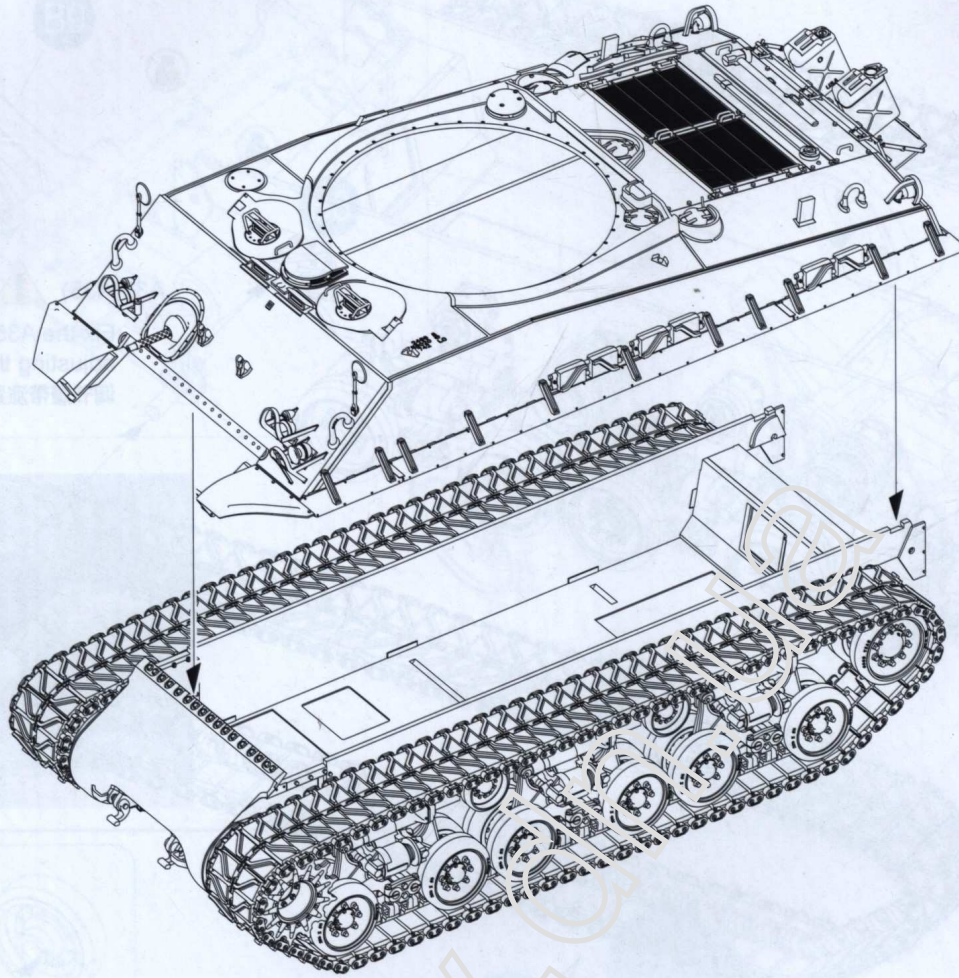
STEP 23



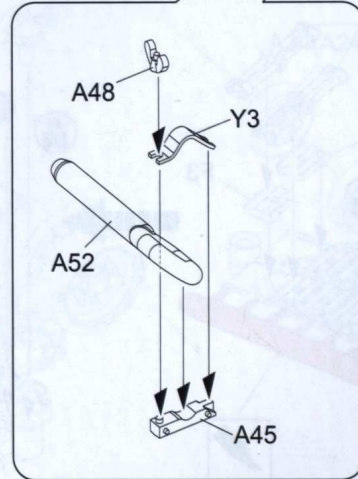
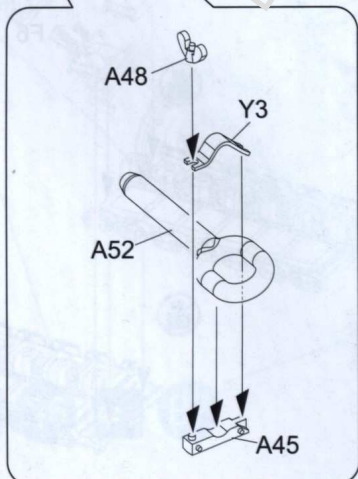
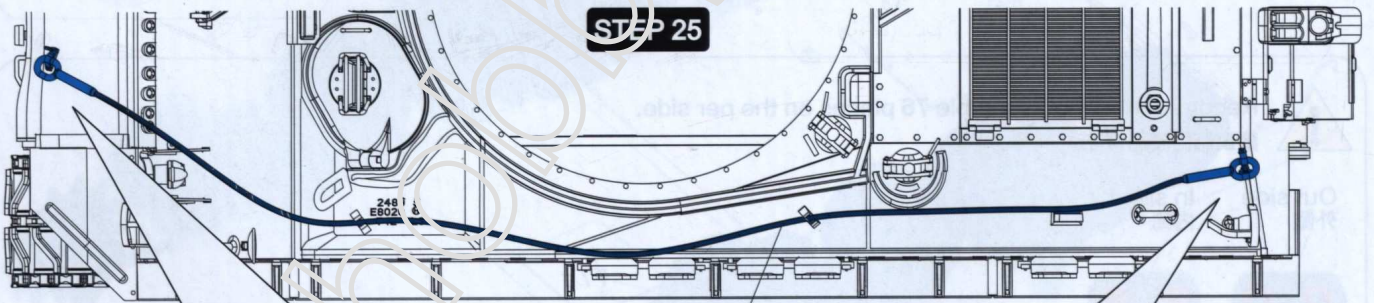
 Recommended to assemble 76 pieces on the per side.  
建议每侧装配76节



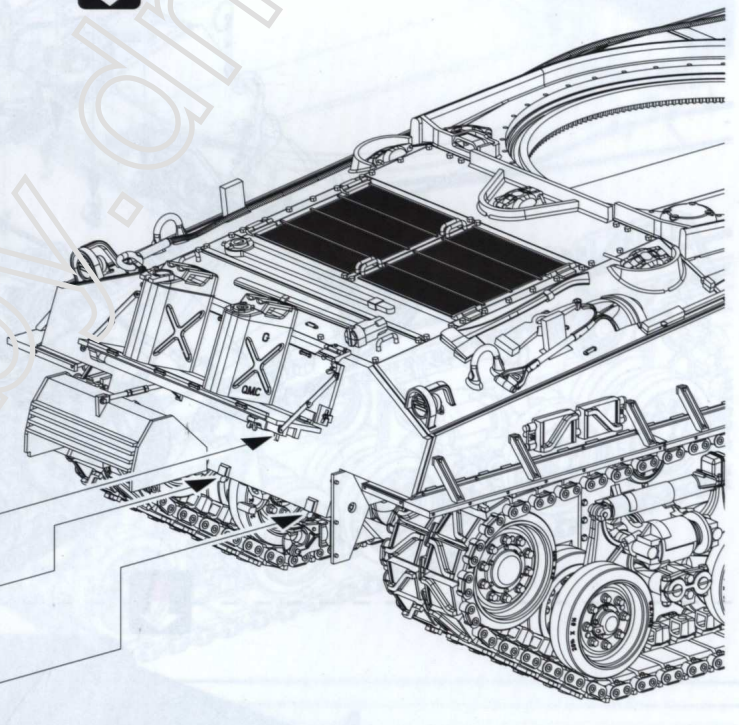
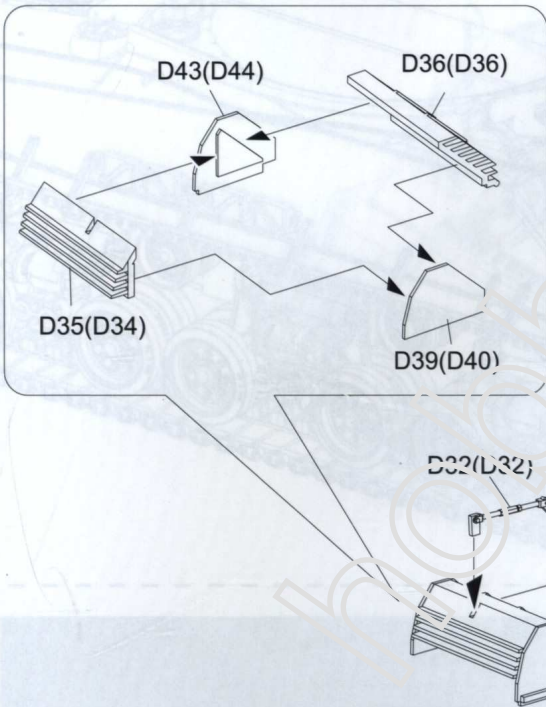
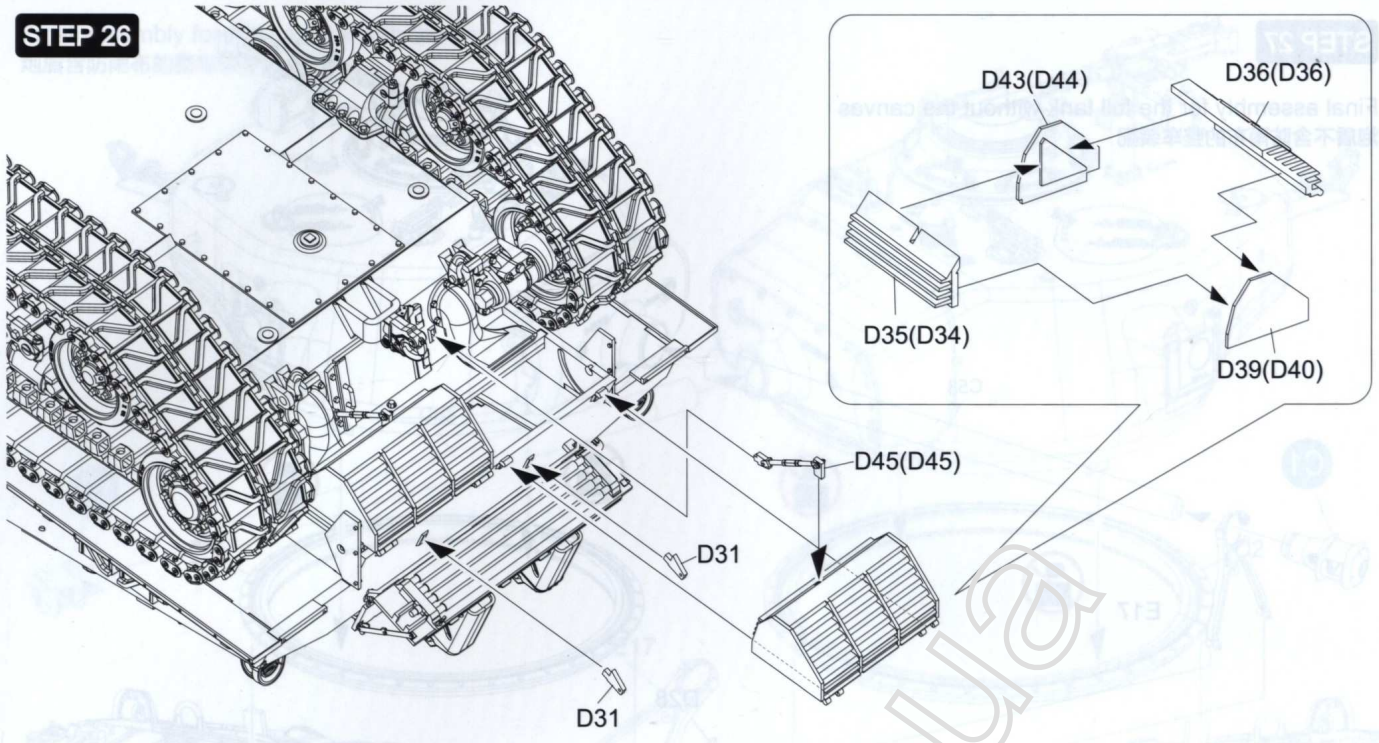
STEP 24



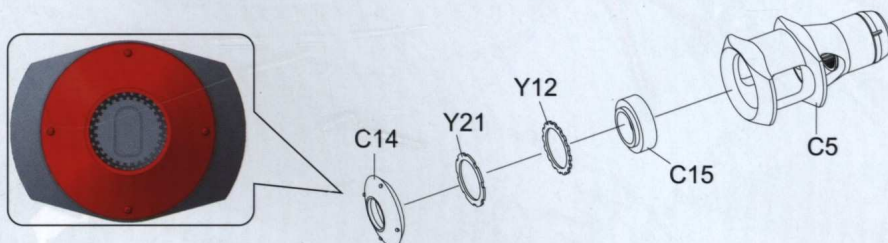
STEP 25



**STEP 26**

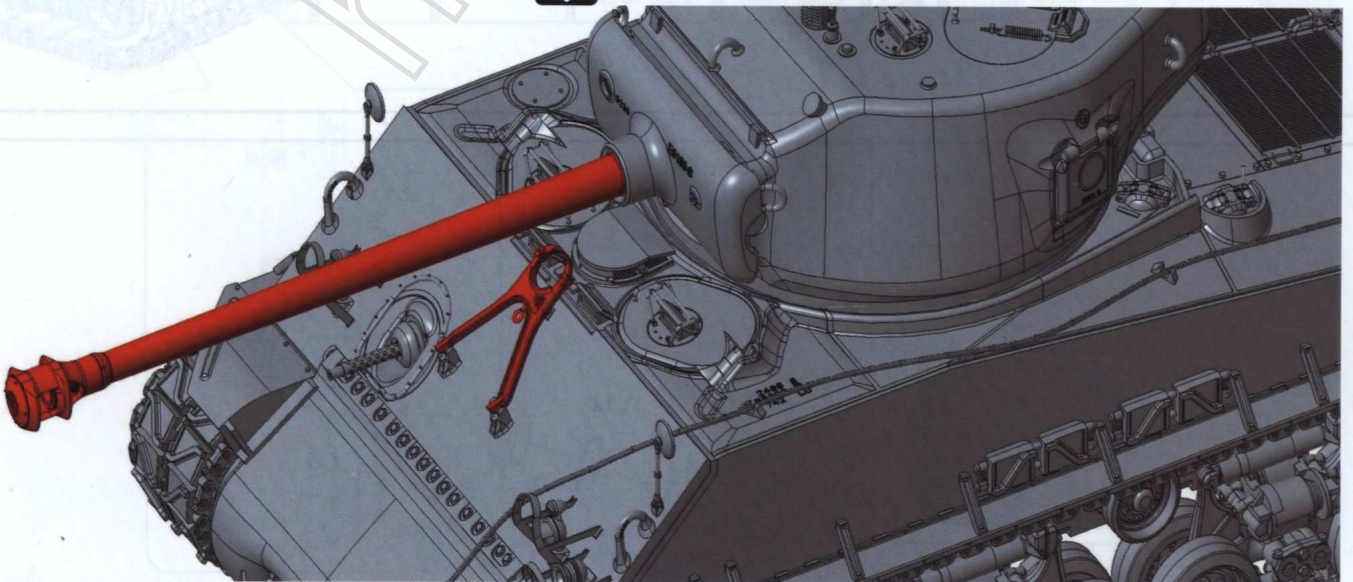
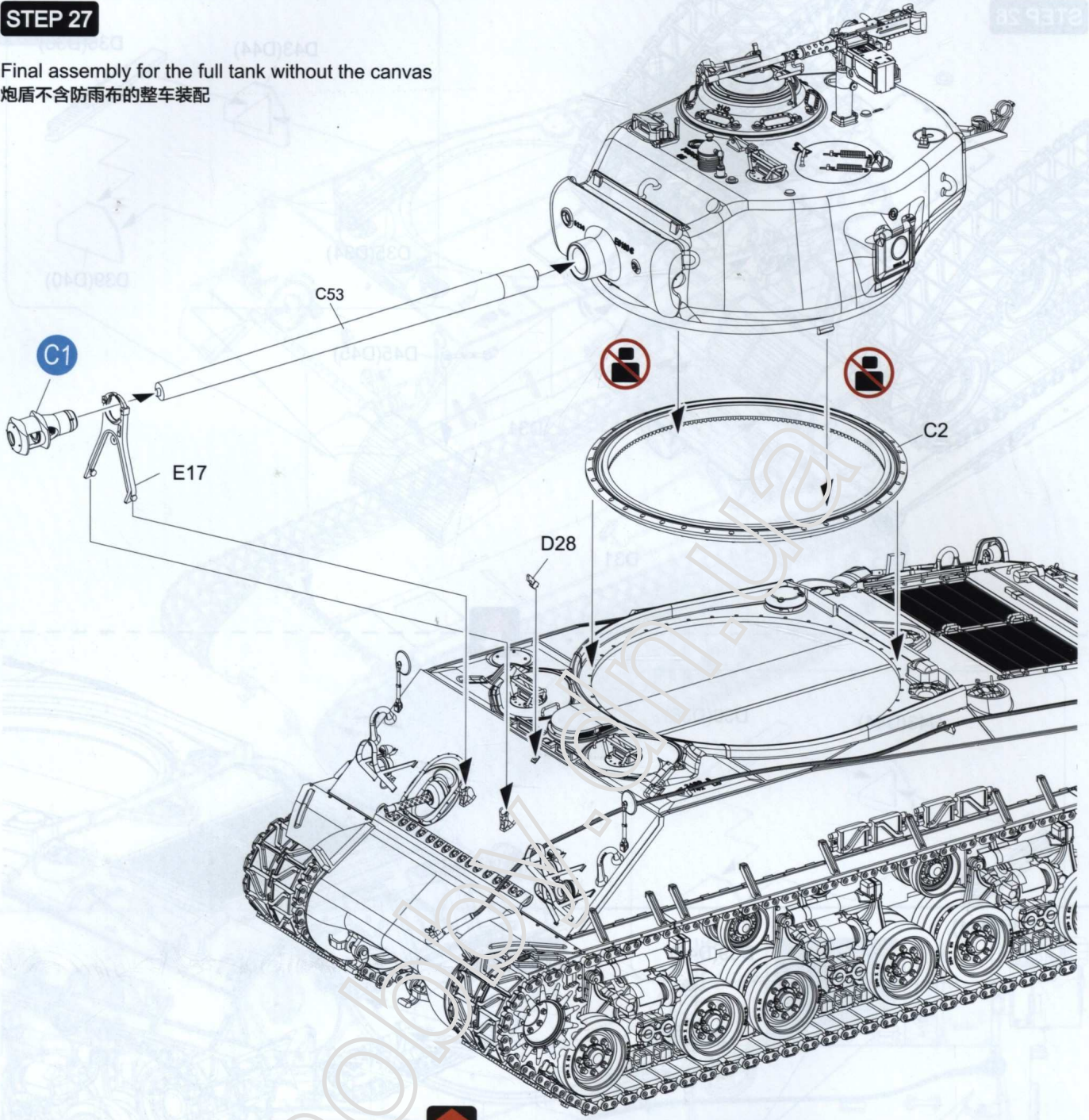


**C1**

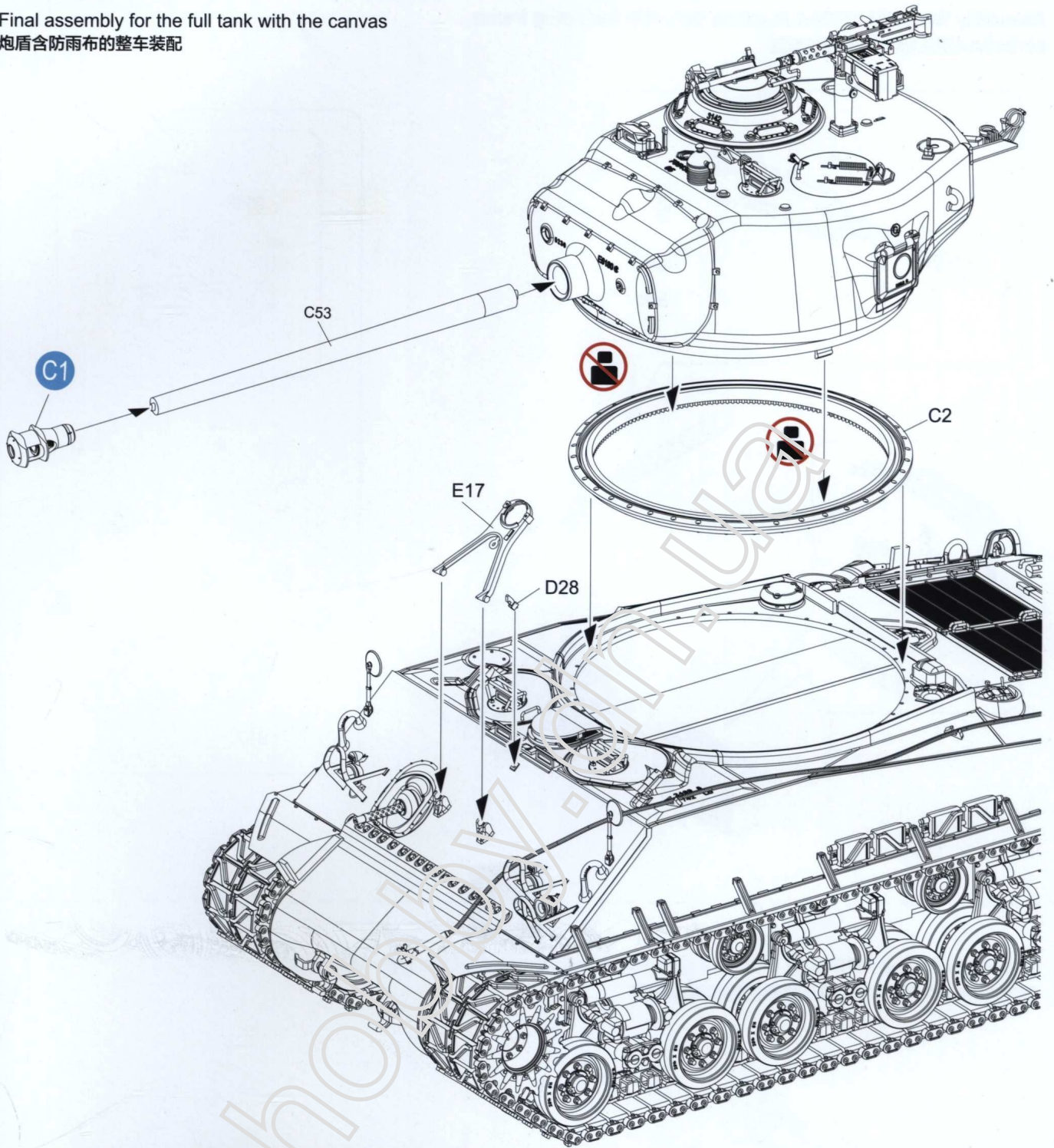


**STEP 27**

Final assembly for the full tank without the canvas  
炮盾不含防雨布的整车装配

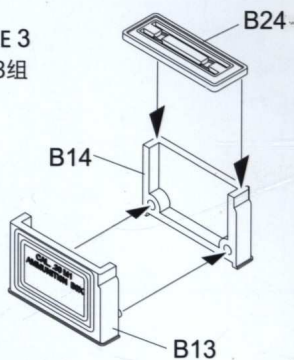


Final assembly for the full tank with the canvas  
 炮盾含防雨布的整车装配



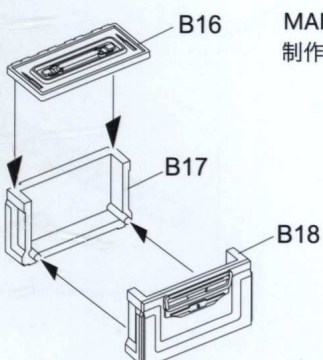
Assembly for the .30 bullet box  
 .30子弹箱装配图

MAKE 3  
 制作3组

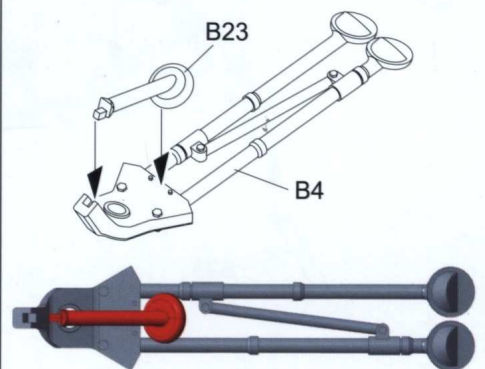


Assembly for the .50 bullet box  
 .50子弹箱装配图

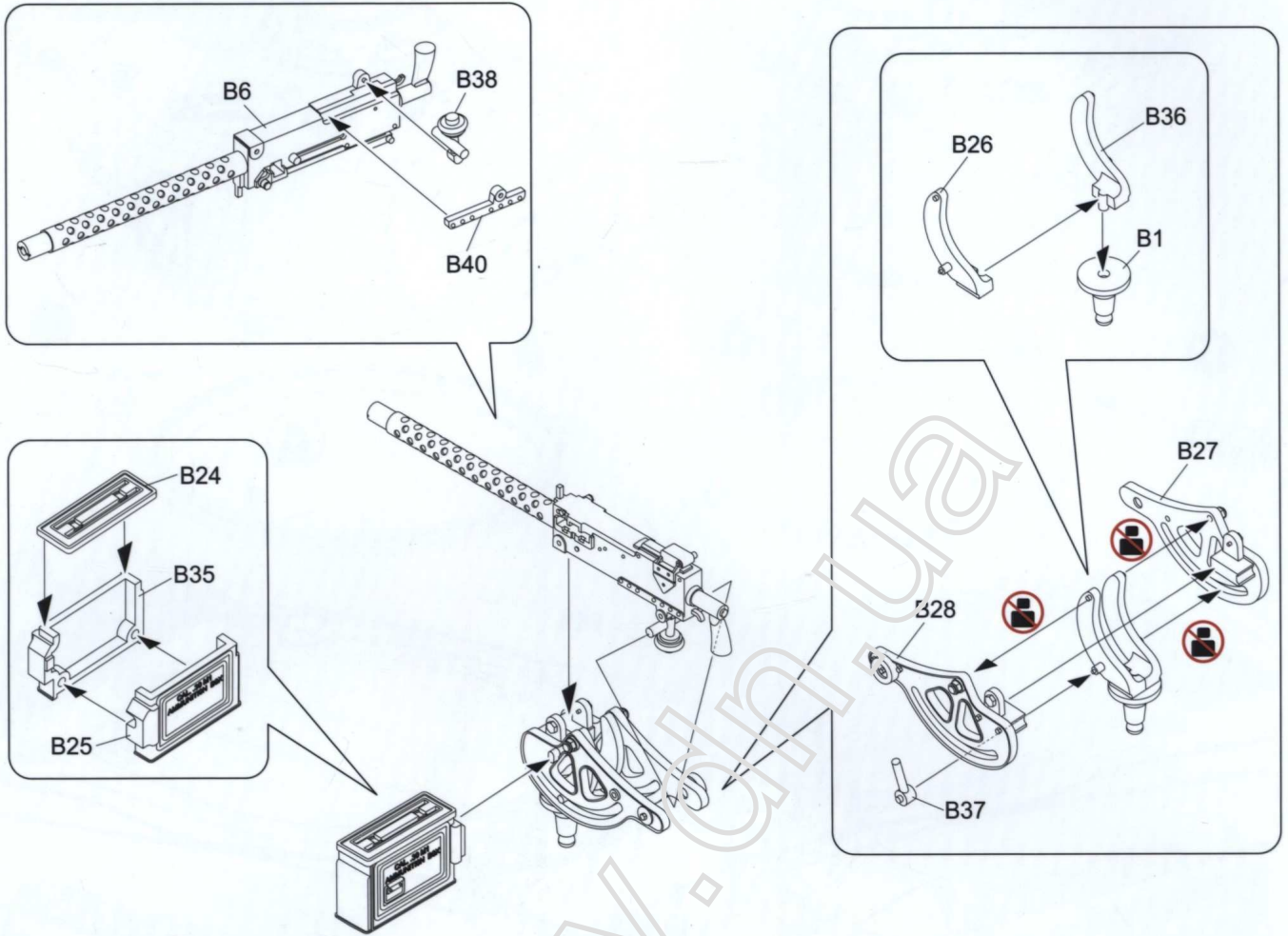
MAKE 3  
 制作3组



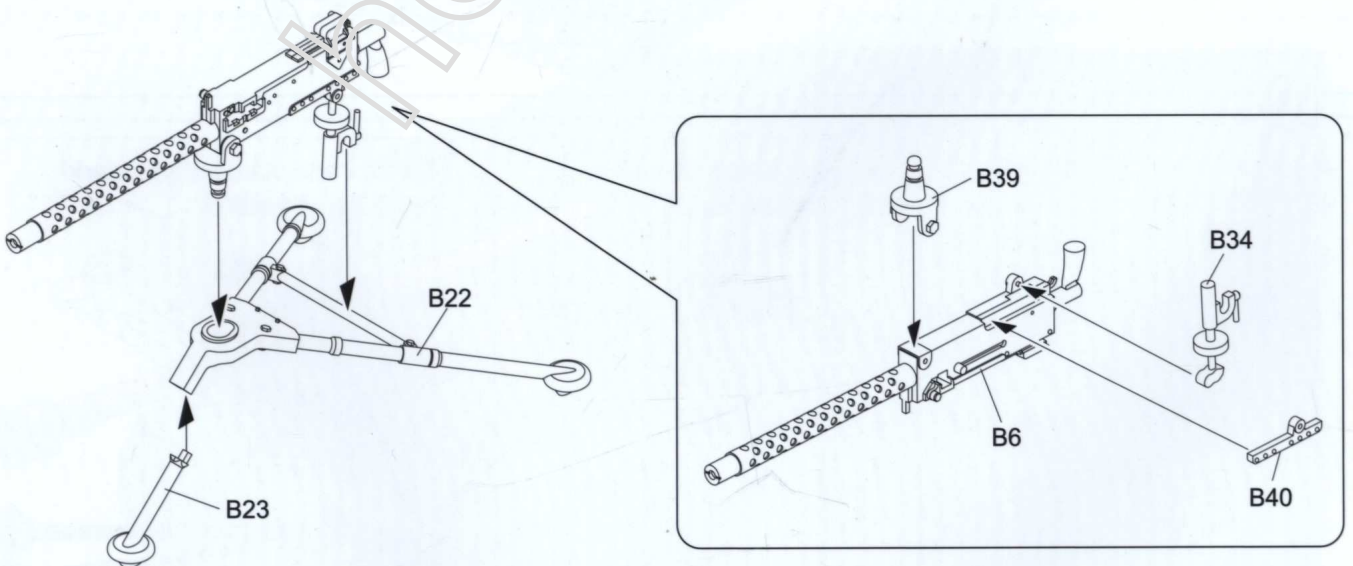
The storage status of the tripod  
 M2型三脚架收纳状态



Assembly for the M1919A4 machine gun with the swing frame  
M1919A4型机枪与摇摆架装配图



Assembly for the M1919A4 machine gun with working status of the type M2 tripod  
M1919A4型机枪与M2型三脚架使用状态装配图







# W/ WORKABLE TRACK LINKS SHERMAN M4A3E8

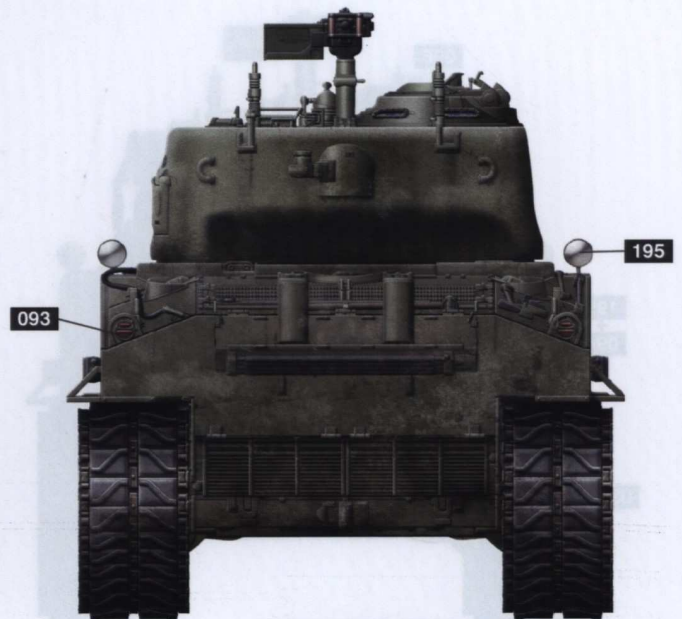
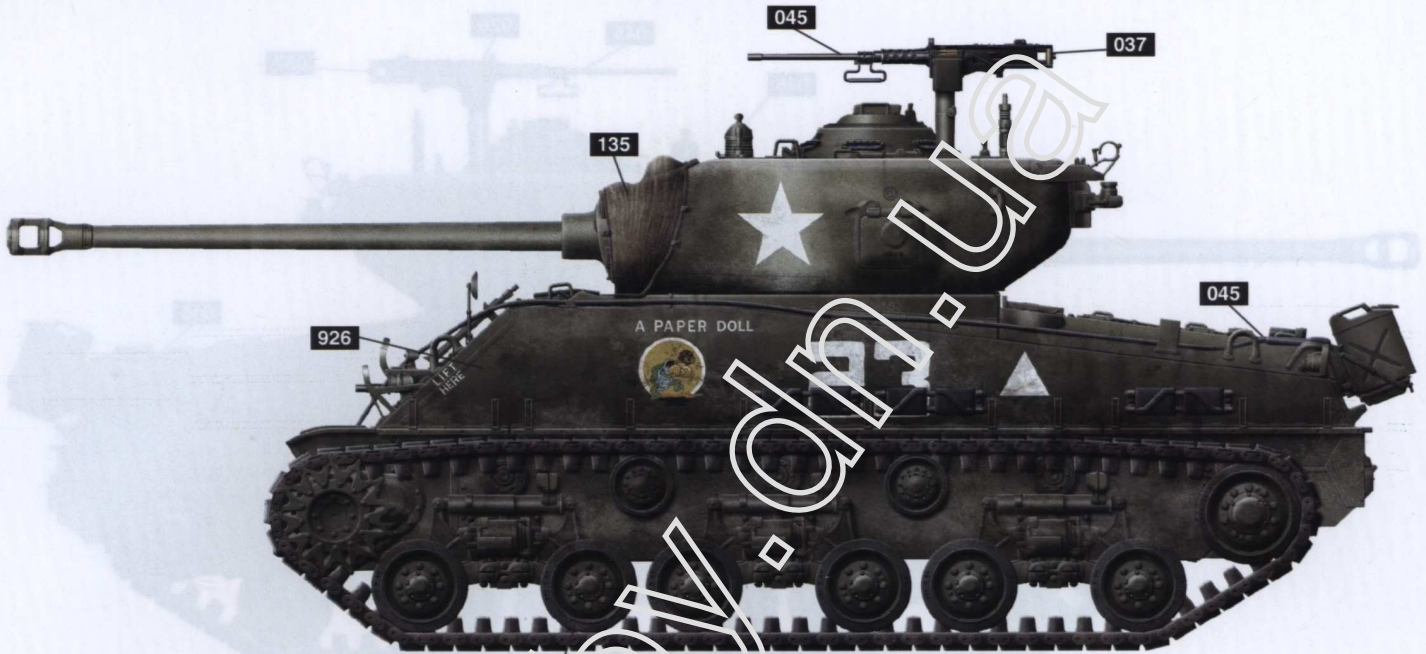
## Painting and Marking Guide

www.migjimenez.com



A.MIG 926 Olive Drab Base	A.MIG 195 Silver	A.MIG 093 Crystal Red
A.MIG 135 Cinnamon	A.MIG 035 Dark Tracks	A.MIG 037 New Wood
A.MIG 033 Rubber & Tires	A.MIG 045 Gun Metal	A.MIG 096 Crystal Periscope Green

M4A3E8 SHERMAN, 68th Tank Battalion, Germany 1945.



DESIGNED BY TRANSFORM

### WEATHERING STEPS WITH AMMO PRODUCTS

- |  |  |   |  |
|--|--|---|--|
| <b>1 GENERAL WASH</b><br>A.MIG-1005 Dark Brown Wash for Green vehicles | <b>3 STREAKING</b><br>A.MIG-1203 Streaking Grime       | <b>5 TRACK WASH</b><br>A.MIG-1002 Tracks Wash | <b>7 MUD &amp; SPLASHES</b><br>A.MIG-1703 Moist Ground A.MIG-1752 Loose Ground |
| <b>2 FILTER</b><br>A.MIG-1506 Brown for Dark Green                     | <b>4 RAINMARKS</b><br>A.MIG-1258 Streakingbrusher Dust | <b>6 DUST</b><br>A.MIG-3004 Europe Earth      | <b>8 GREASE &amp; OIL</b><br>A.MIG-1408 Fresh Engine Oil                       |

W/ WORKABLE TRACK LINKS  
**SHERMAN M4A3E8**

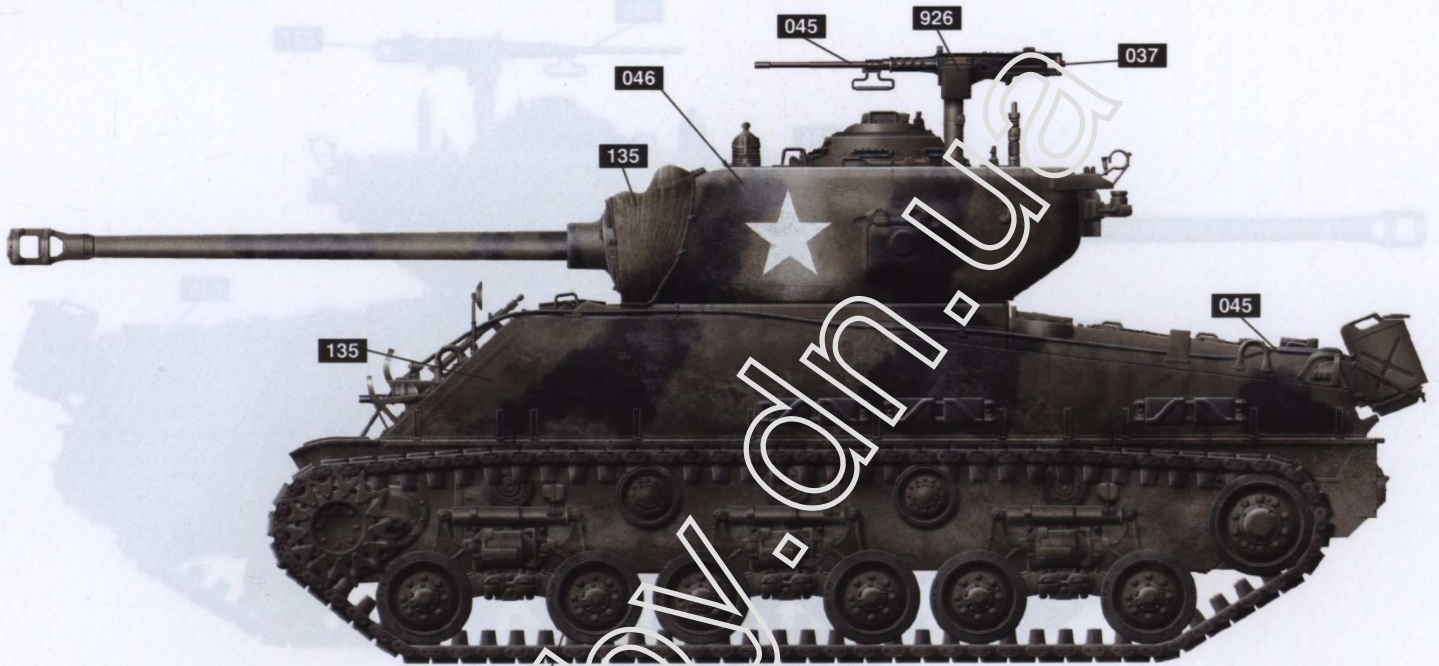
Painting and Marking Guide

www.migjimenez.com



	A.MIG 926 Olive Drab Base		A.MIG 195 Silver		A.MIG 094 Crystal Glass
	A.MIG 135 Cinnamon		A.MIG 046 Matt Black		A.MIG 093 Crystal Red
	A.MIG 033 Rubber & Tires		A.MIG 035 Dark Tracks		A.MIG 037 New Wood
			A.MIG 045 Gun Metal		A.MIG 096 Crystal Periscope Green

M4A3E8 SHERMAN, 12th Armored Division, Germany 1945.



WEATHERING STEPS WITH AMMO PRODUCTS

- |  |  |   |  |
|--|--|---|--|
| <b>1 GENERAL WASH</b><br>A.MIG-1008 Dark Wash      | <b>3 STREAKING</b><br>A.MIG-1256 Streakingbrusher Green-Grey Grime | <b>5 TRACK WASH</b><br>A.MIG-1002 Tracks Wash | <b>7 MUD &amp; SPLASHES</b><br>A.MIG-1704 Heavy Earth A.MIG-1753 Turned Dirt |
| <b>2 FILTER</b><br>A.MIG-1508 Green for Grey Green | <b>4 RUST</b><br>A.MIG-1204 Streaking Rust                         | <b>6 DUST</b><br>A.MIG-3028 City Dark Dust    | <b>8 GREASE &amp; OIL</b><br>A.MIG-1408 Fresh Engine Oil                     |