



## 1/35 SCALE U.S. MAIN BATTLE TANK

# M1A2 SEP V2 ABRAMS

M1A2 SEP V2 艾布拉姆斯  
M1A2 SEP V2 エイブラムス

### ASSEMBLY ICONS



OPTIONAL  
选择



CEMENT  
膠水



DO NOT CEMENT  
不使用膠水



INSTANT CEMENT  
瞬間接著劑



BEND  
彎折



MAKE 2  
製作2組



OPEN HOLE  
開孔



REMOVE  
切除



BE CAREFUL  
注意



APPLY DECAL  
貼上水貼紙

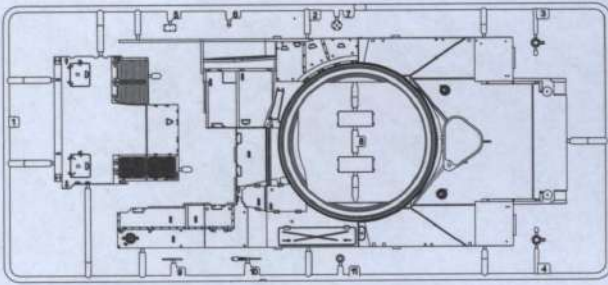
### CAUTION!

Read carefully and fully understand the instructions before commencing assembly.  
Supervising adult should also read the instructions if a child assembles the model.  
When you used glue or paint, do not use near a naked flame, and use in a well-ventilated room.  
When assembling this kit, tools including knives are used. Extra care should be taken to avoid personal injury.  
Read and follow the instructions supplied with paints and/ or cement. Use plastic cement and paints only.  
Keep out of reach of small children. Children must not be allowed to suck any part, or pull vinyl bag over the head.

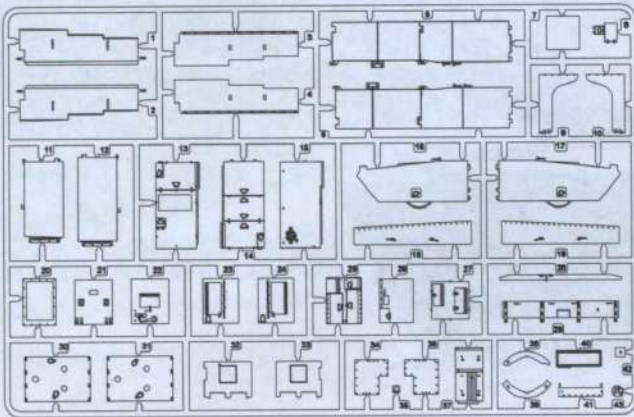
在裝配前仔細閱讀說明並完全理解。小孩裝配時需成人看護且需仔細閱讀說明。  
使用膠水和油漆時，應遠離火源並打開窗戶保持空氣流通。  
製作時請格外注意工具刀和零件的鋒利尖銳部分，避免對身體造成傷害。  
在使用膠水和油漆前仔細閱讀注意事項，按照說明正確使用膠水和油漆。  
請將本品放在兒童接觸不到的地方，套件中的塑膠包裝袋會對兒童造成窒息的危險。



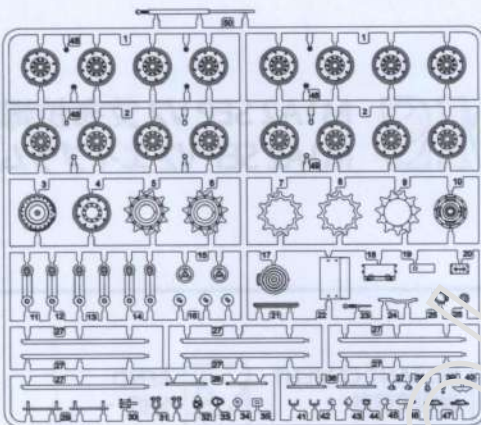
**A X1**



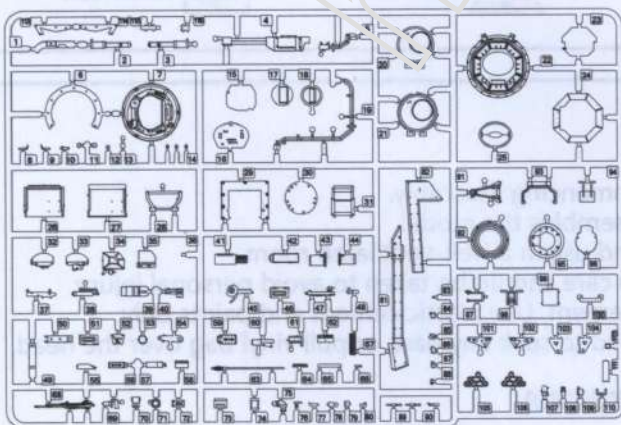
**B X1**



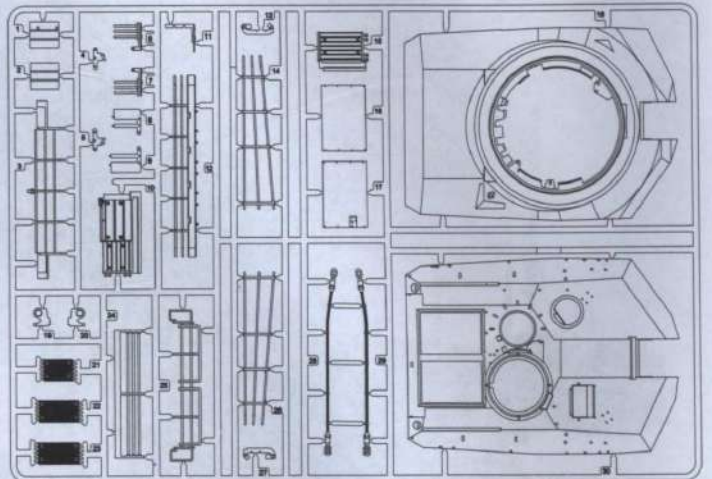
**C X2**



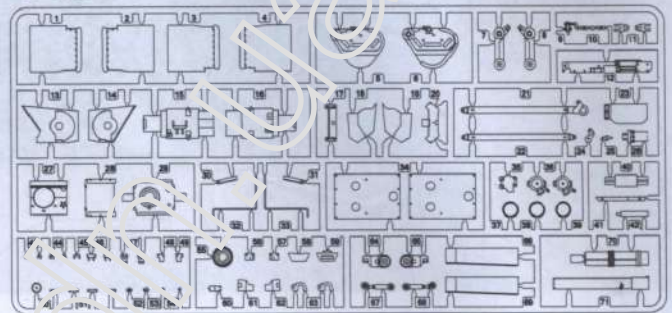
**E X1**



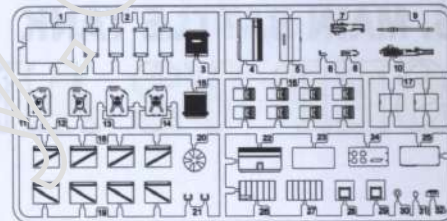
**D X1**



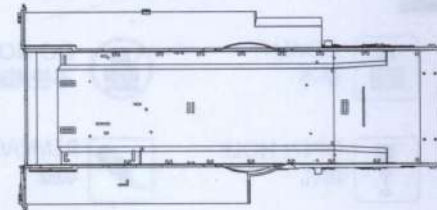
**F X1**



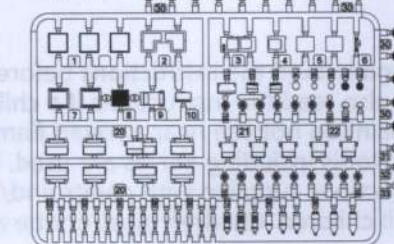
**G X2**



**Lower Hull X1**

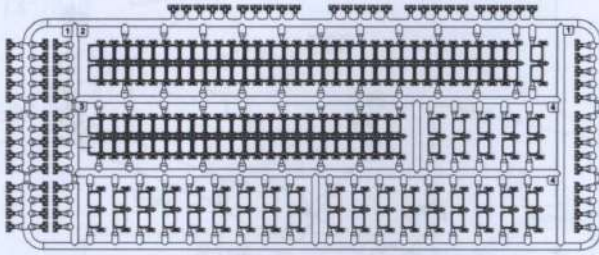


**T X1**

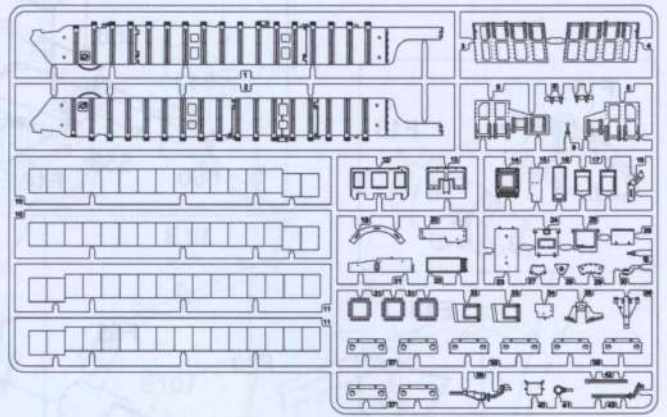




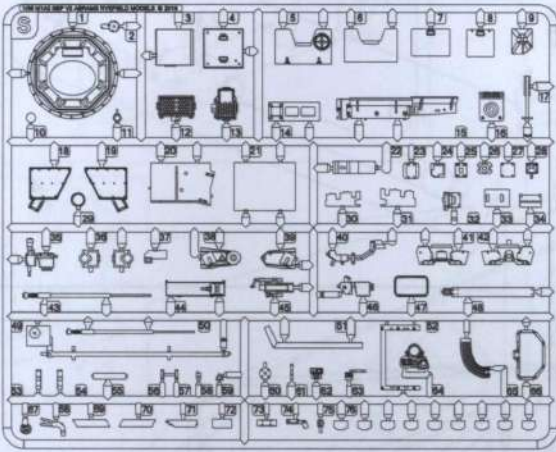
### MX2



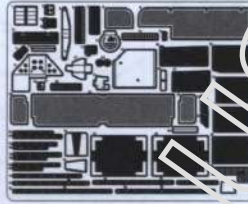
### JX1



### SX1



### YX1



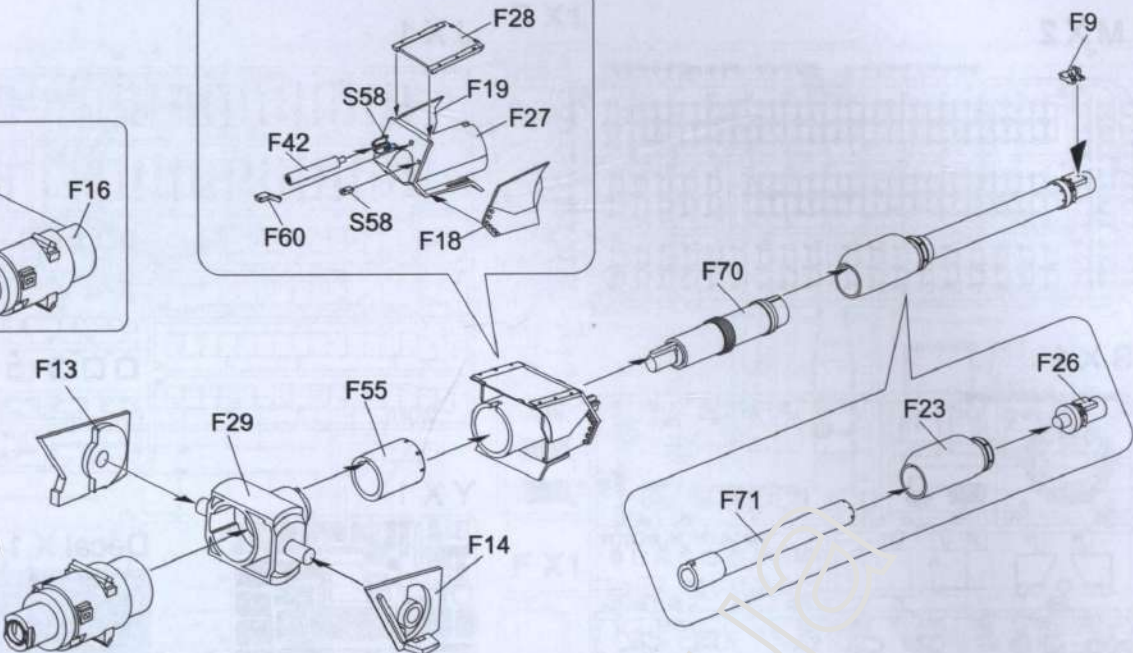
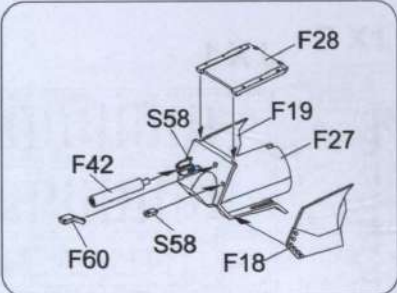
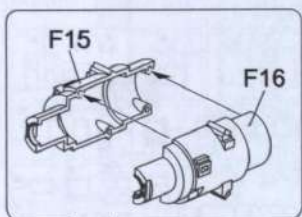
### Decal X 1



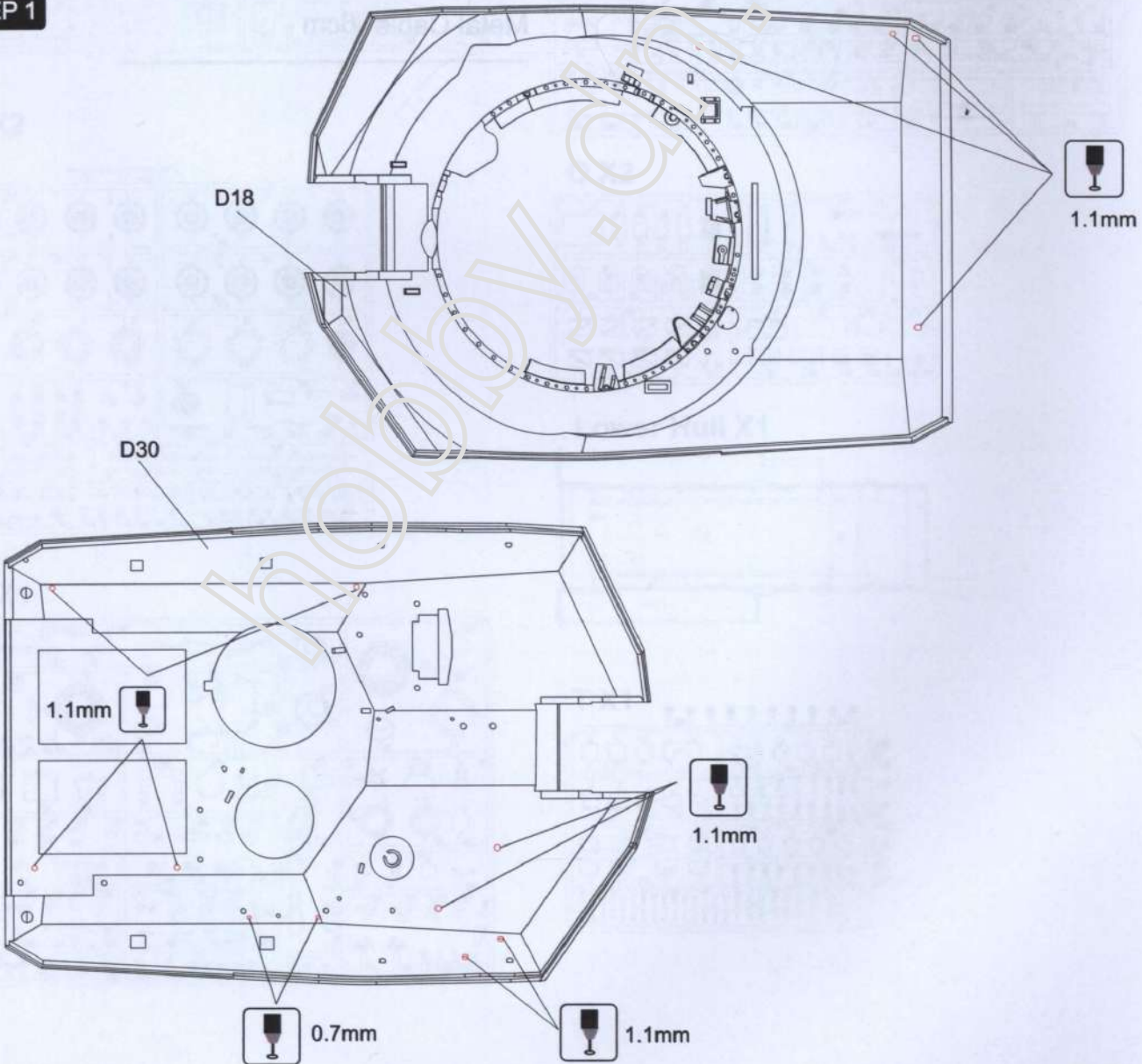
### Metal Cable 5cm

hobbyonline.com

A1

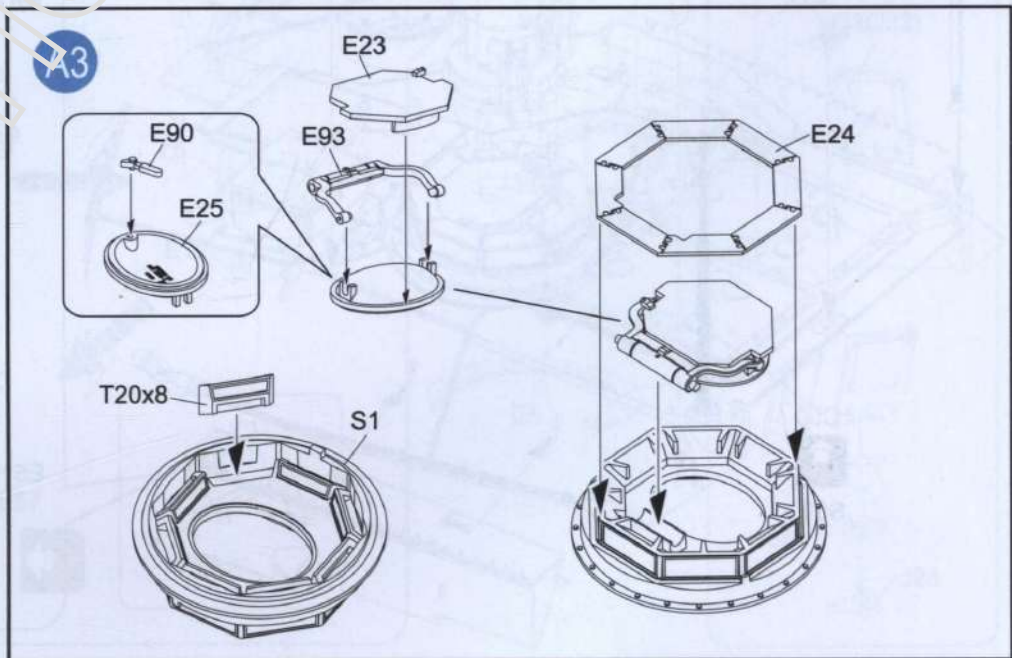
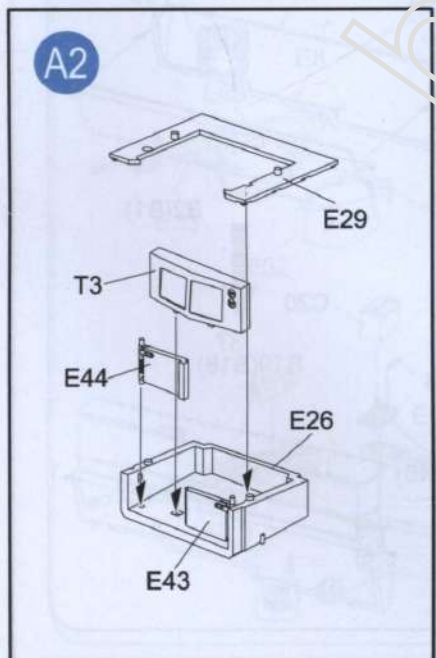
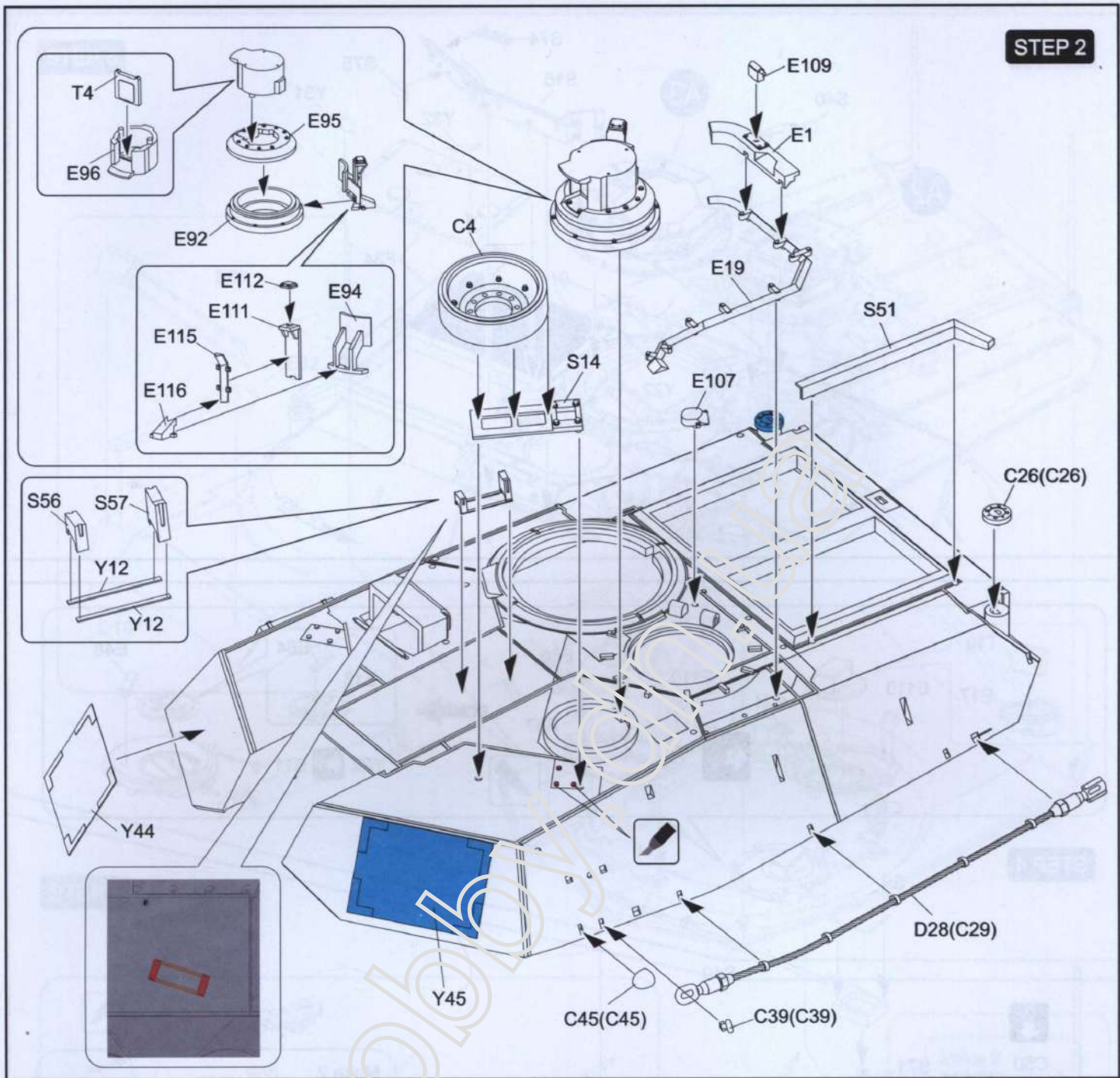


STEP 1



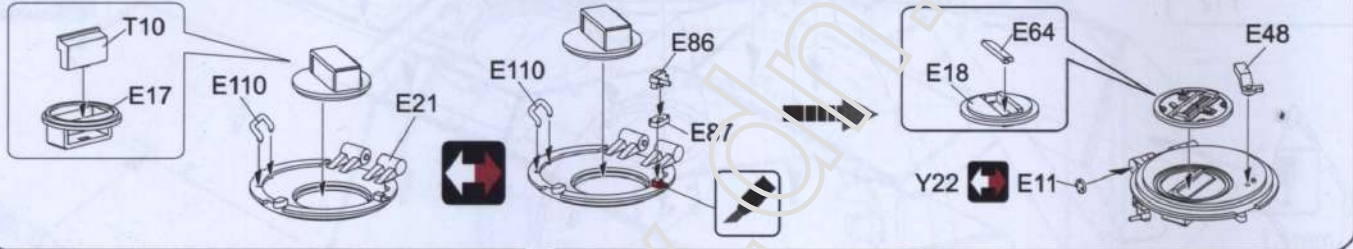
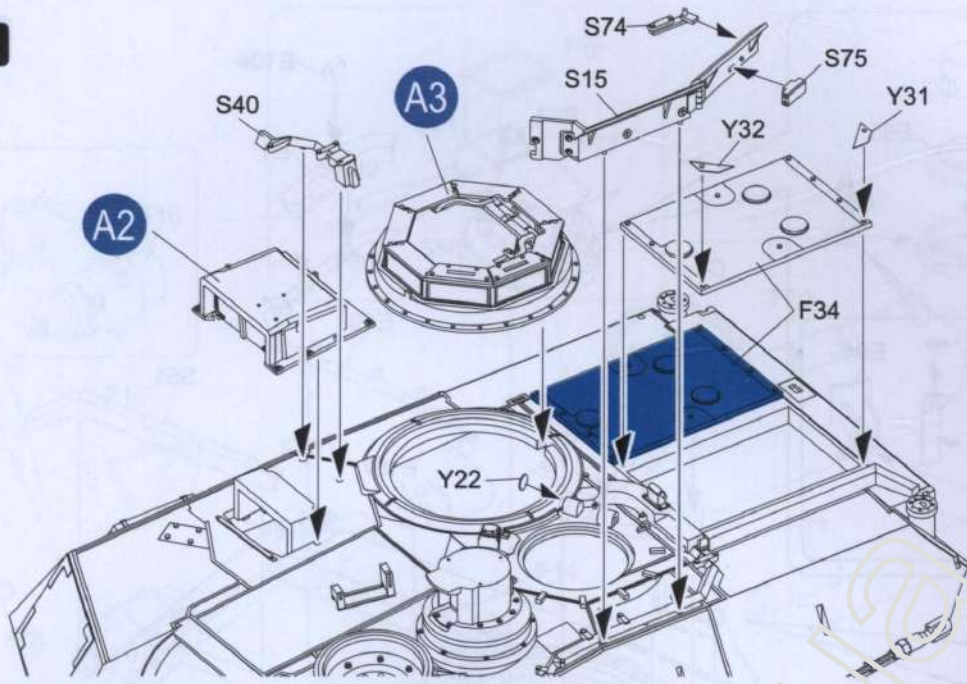


STEP 2

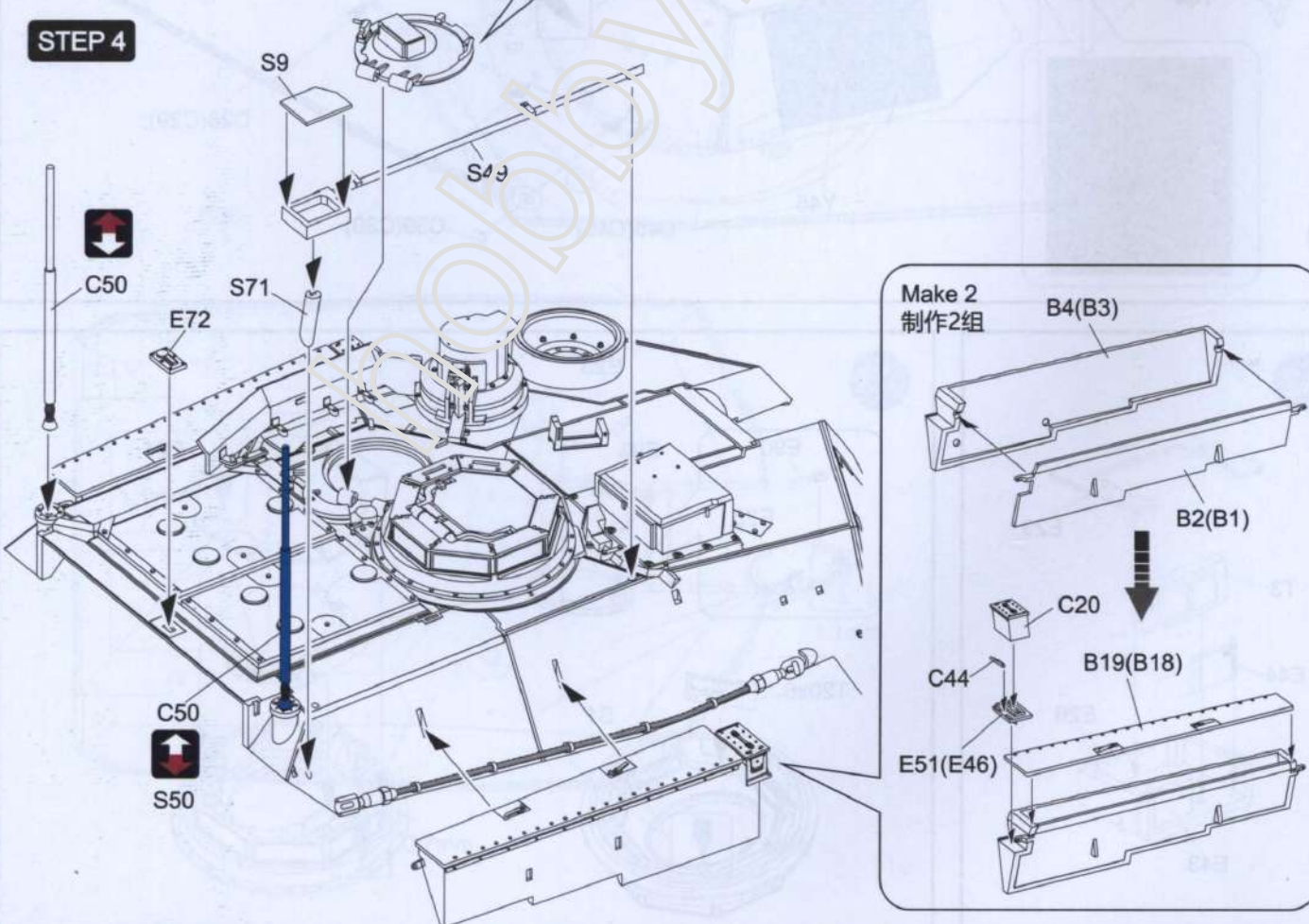




**STEP 3**

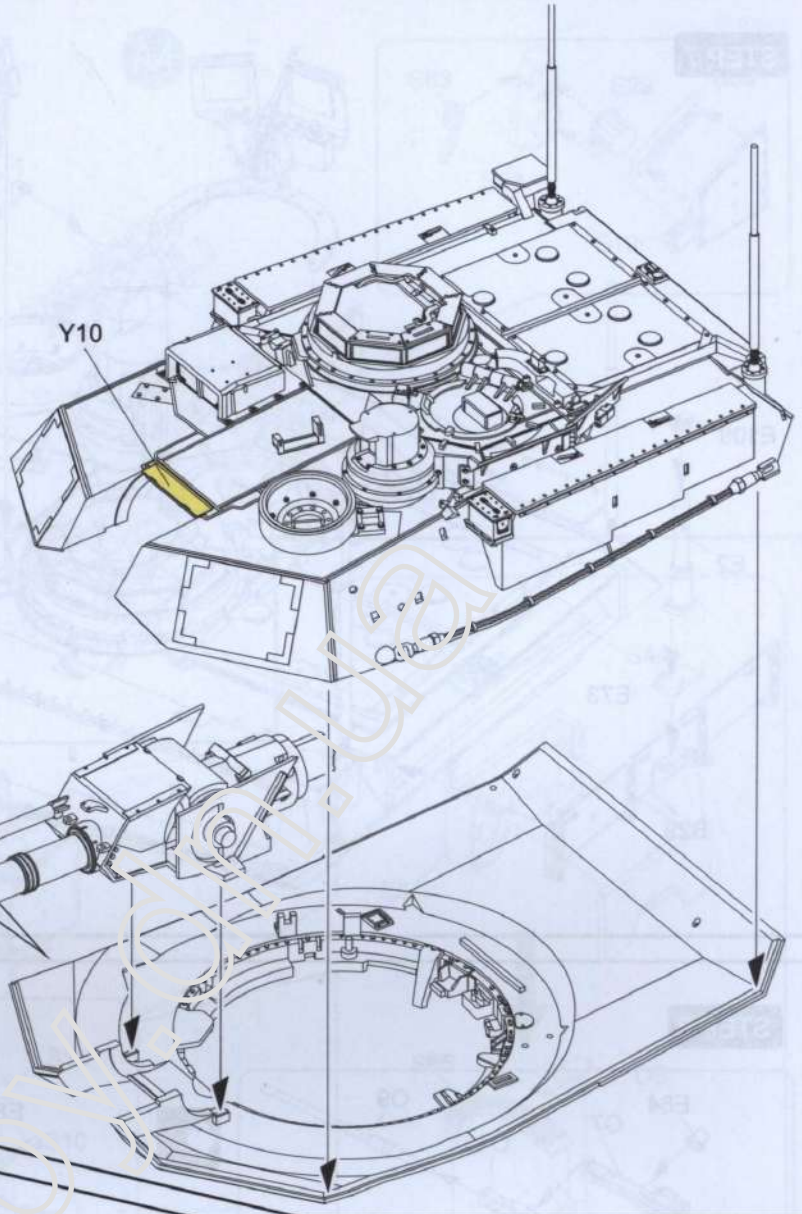
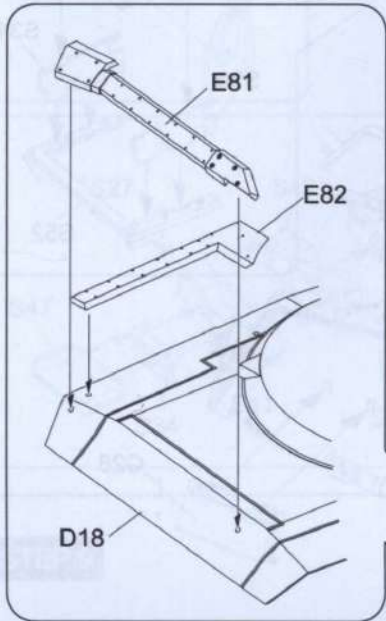


**STEP 4**

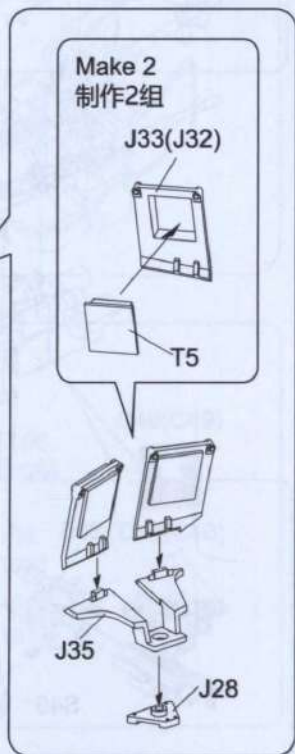
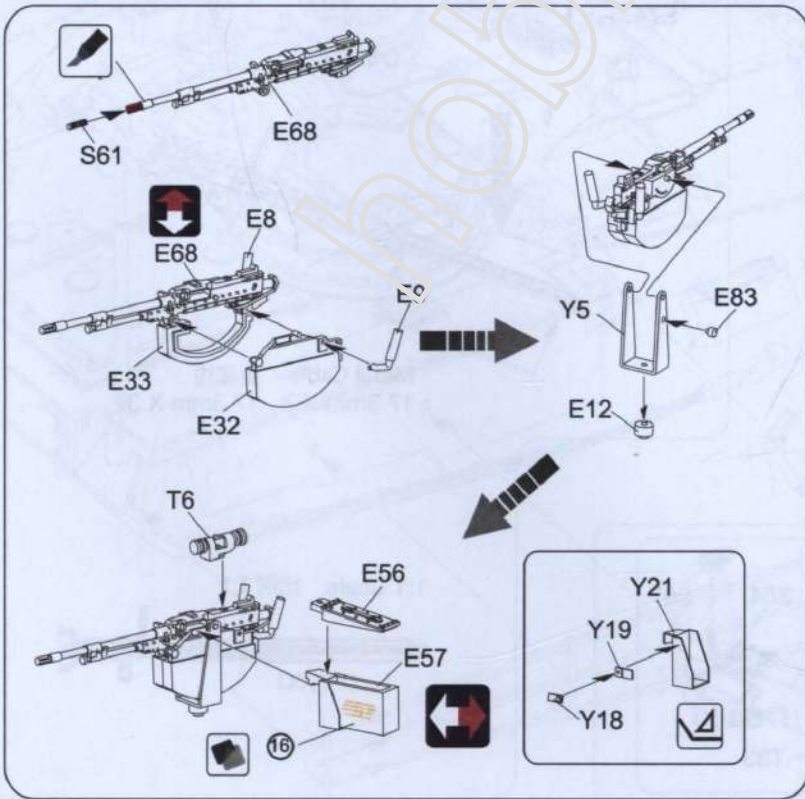




STEP 5

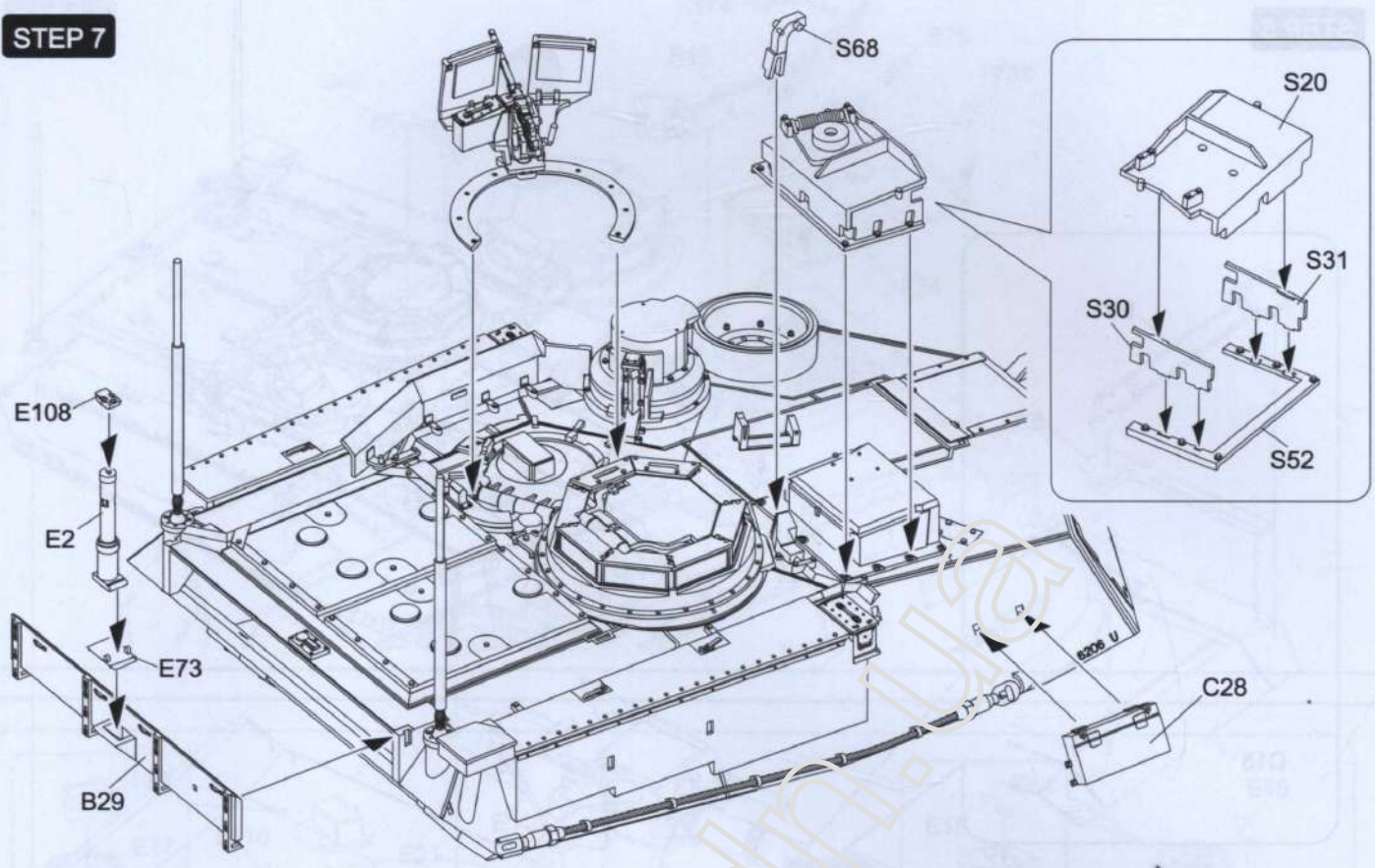


STEP 6

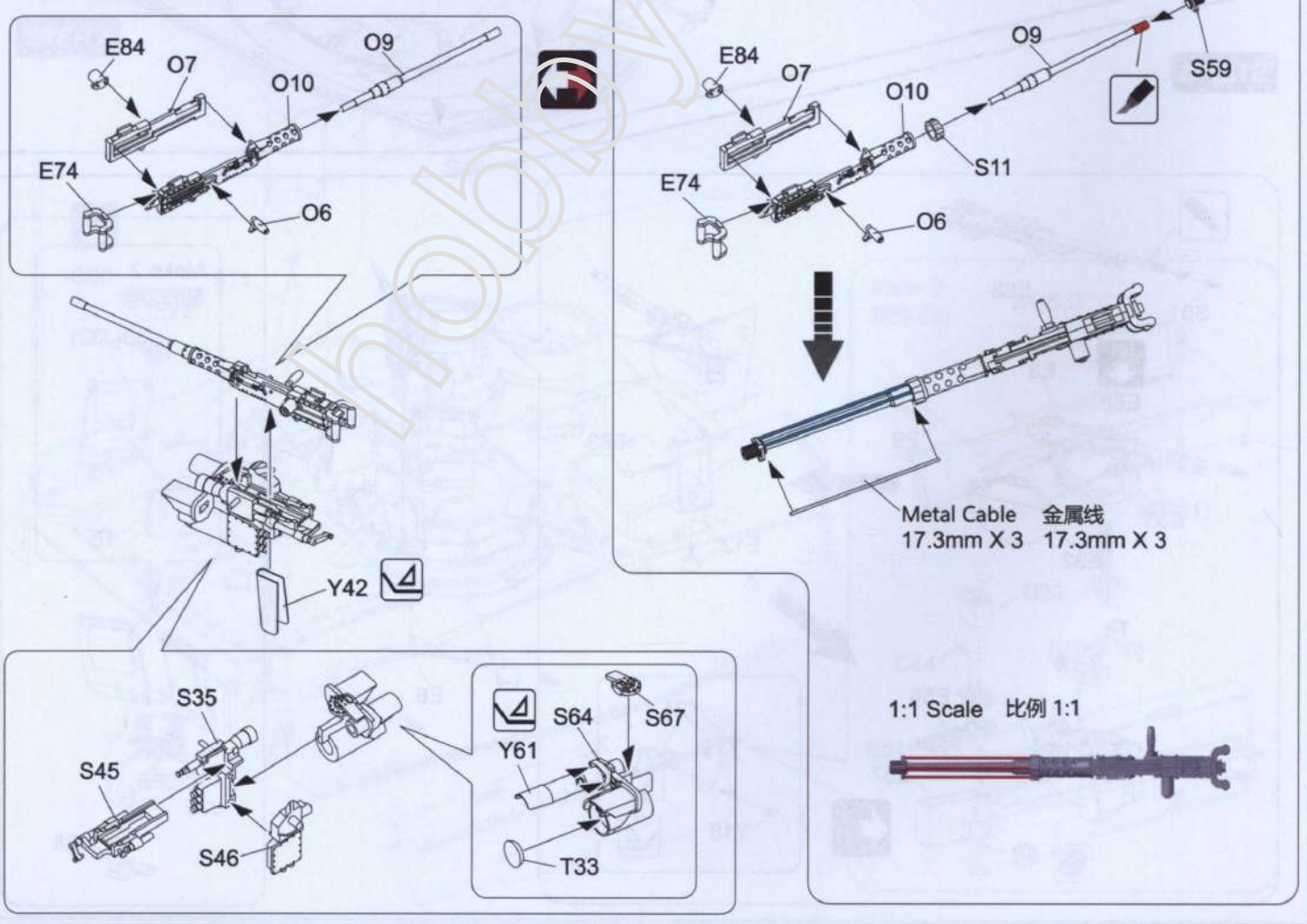




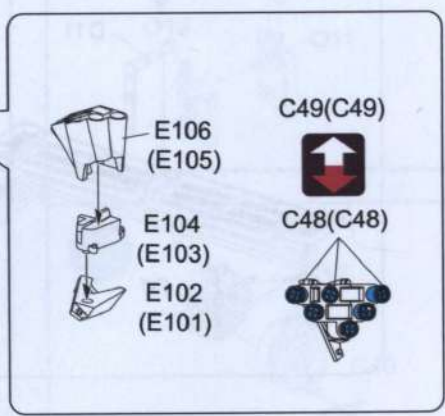
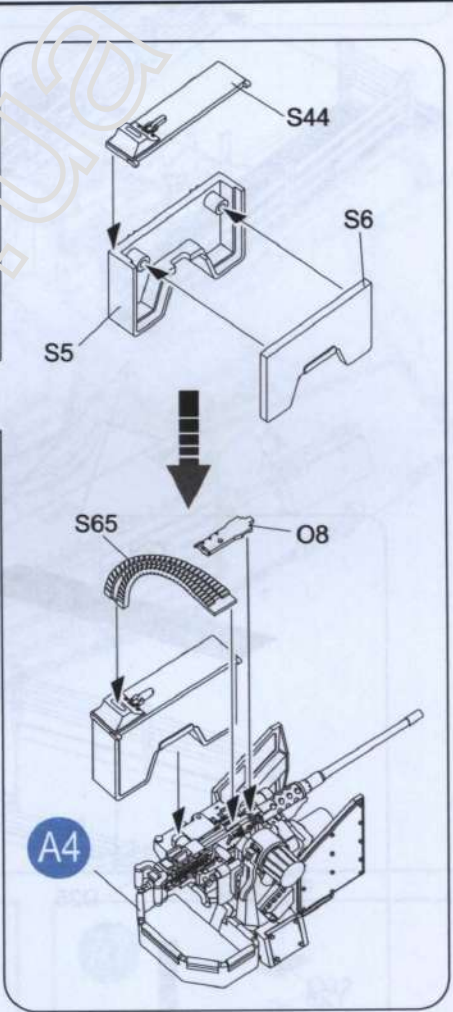
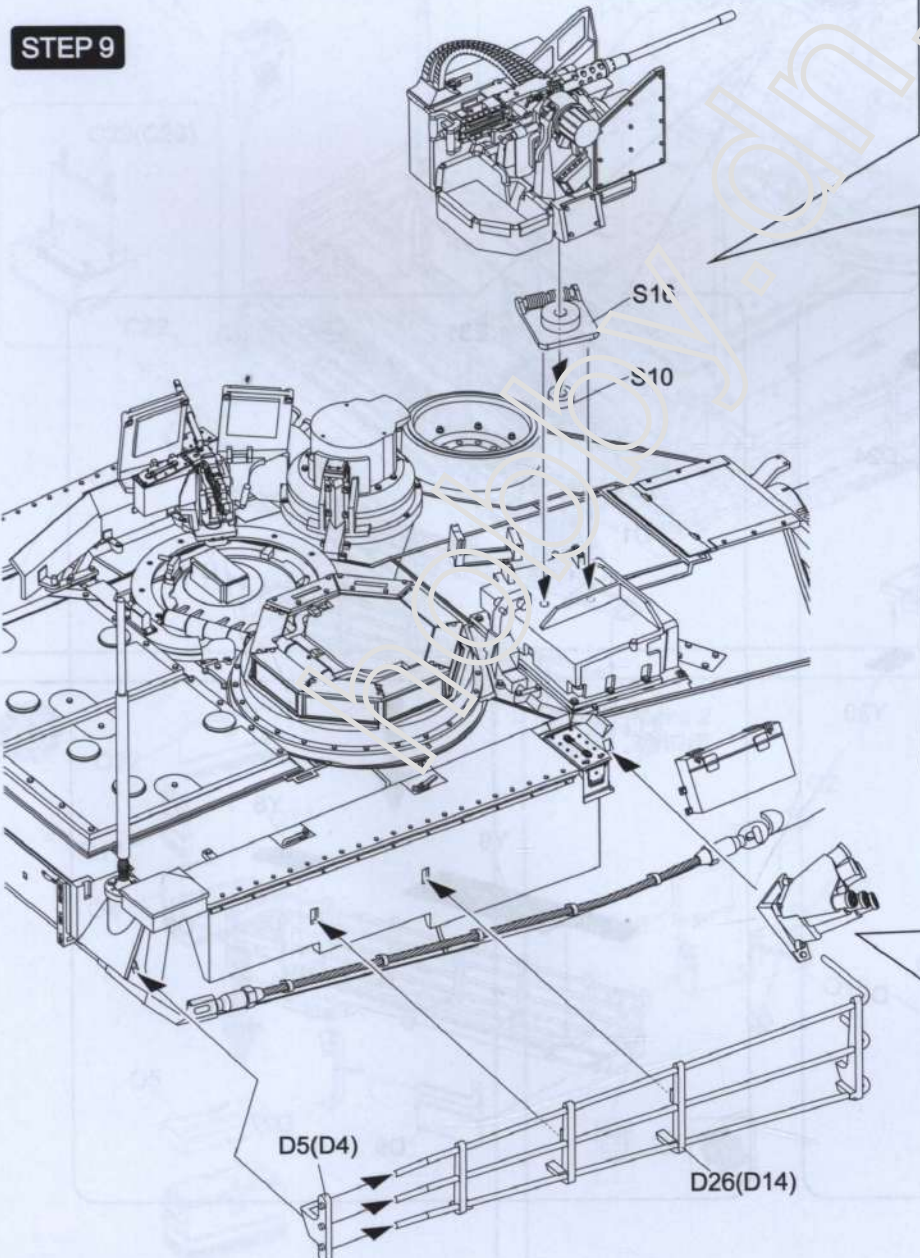
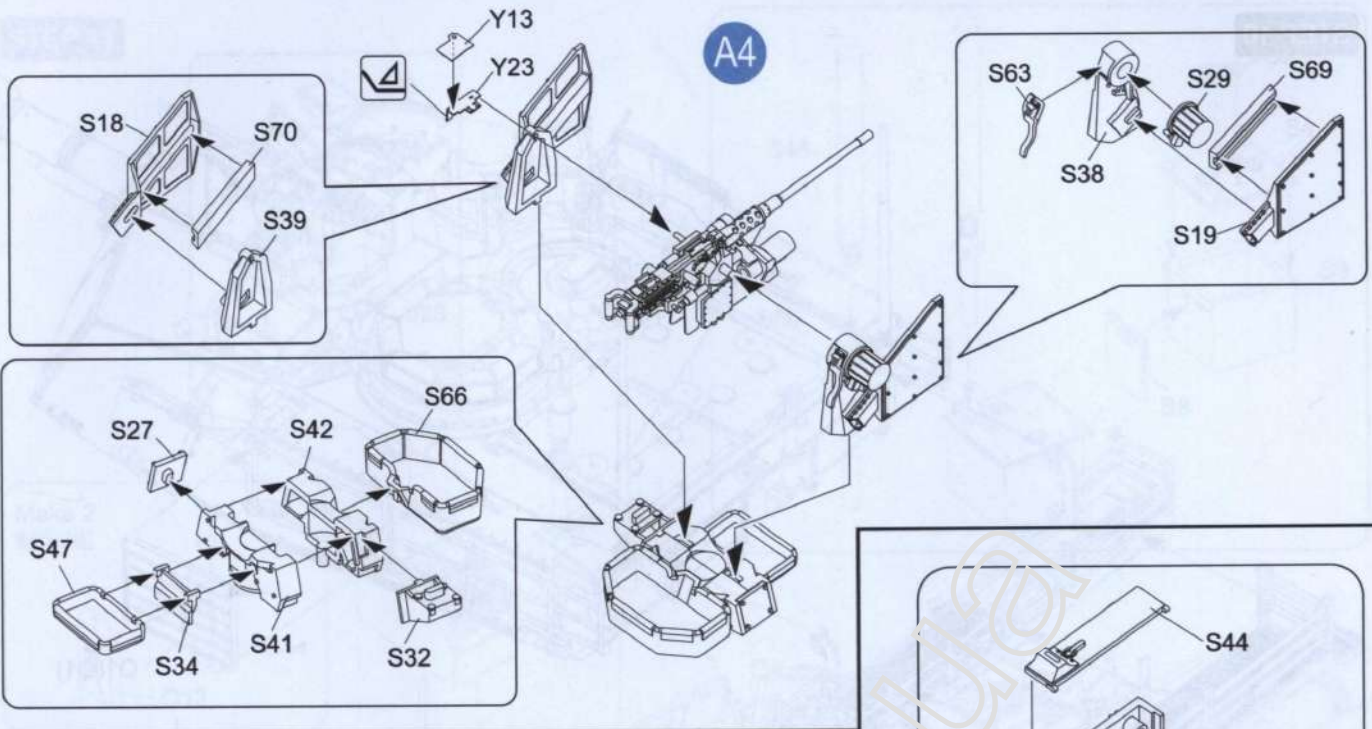
**STEP 7**



**STEP 8**

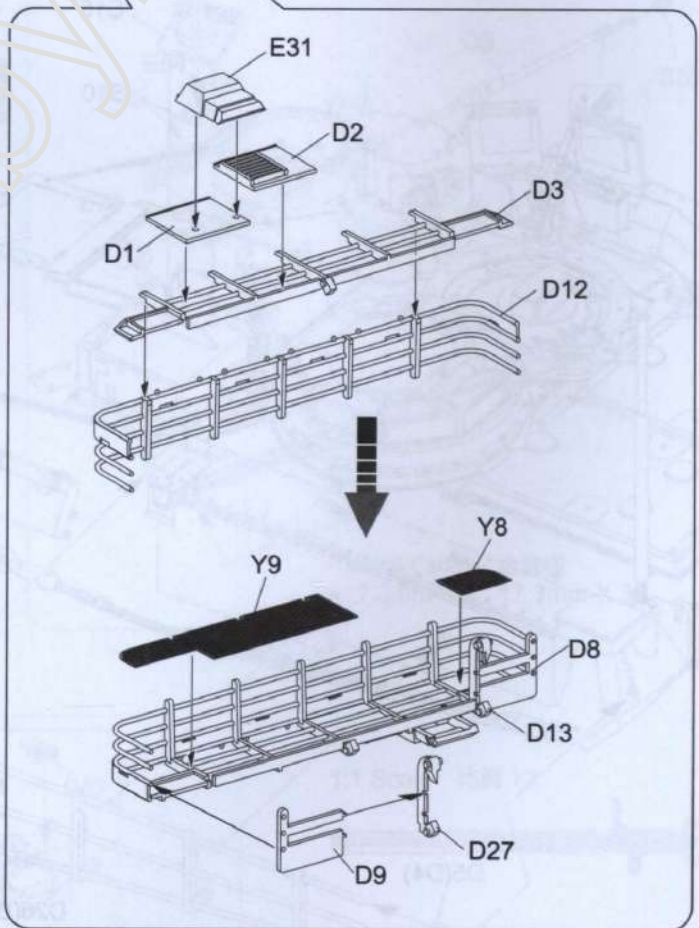
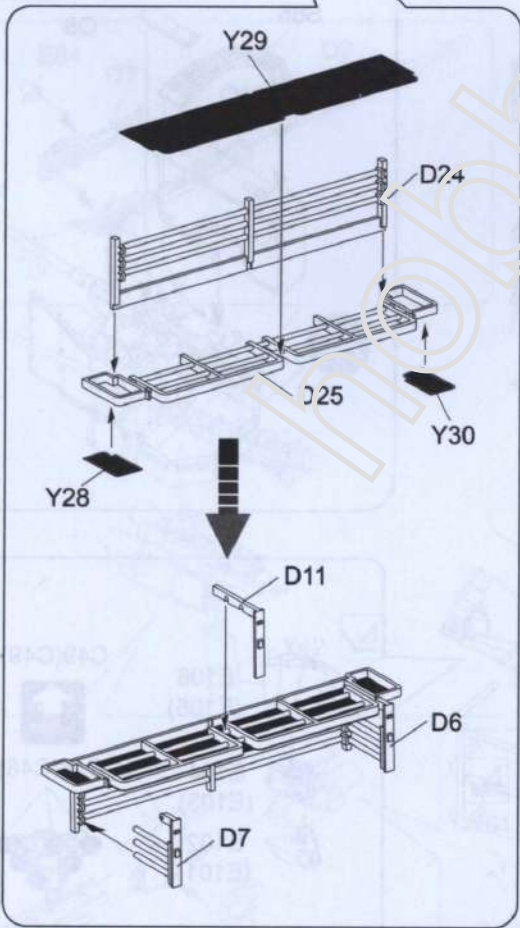
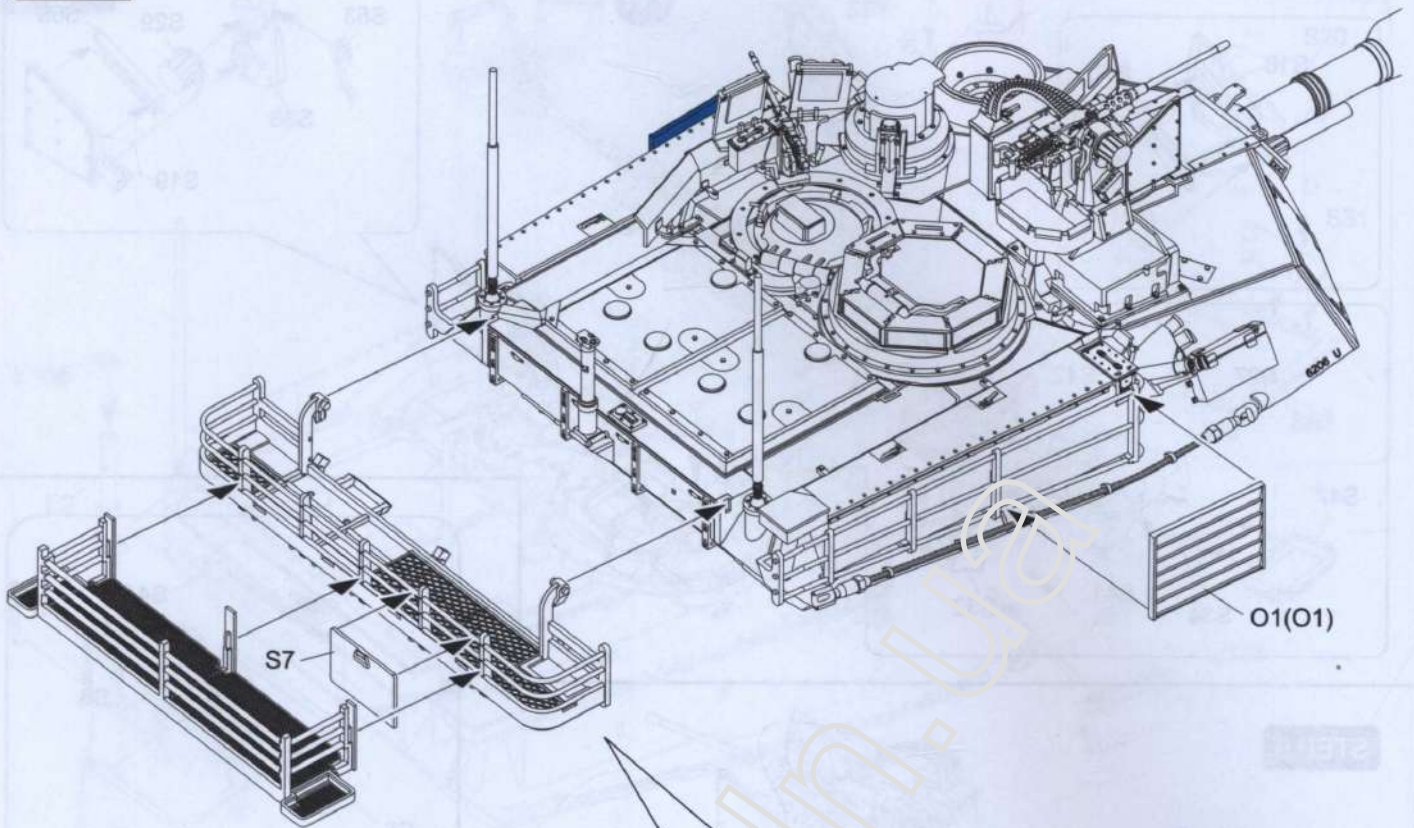






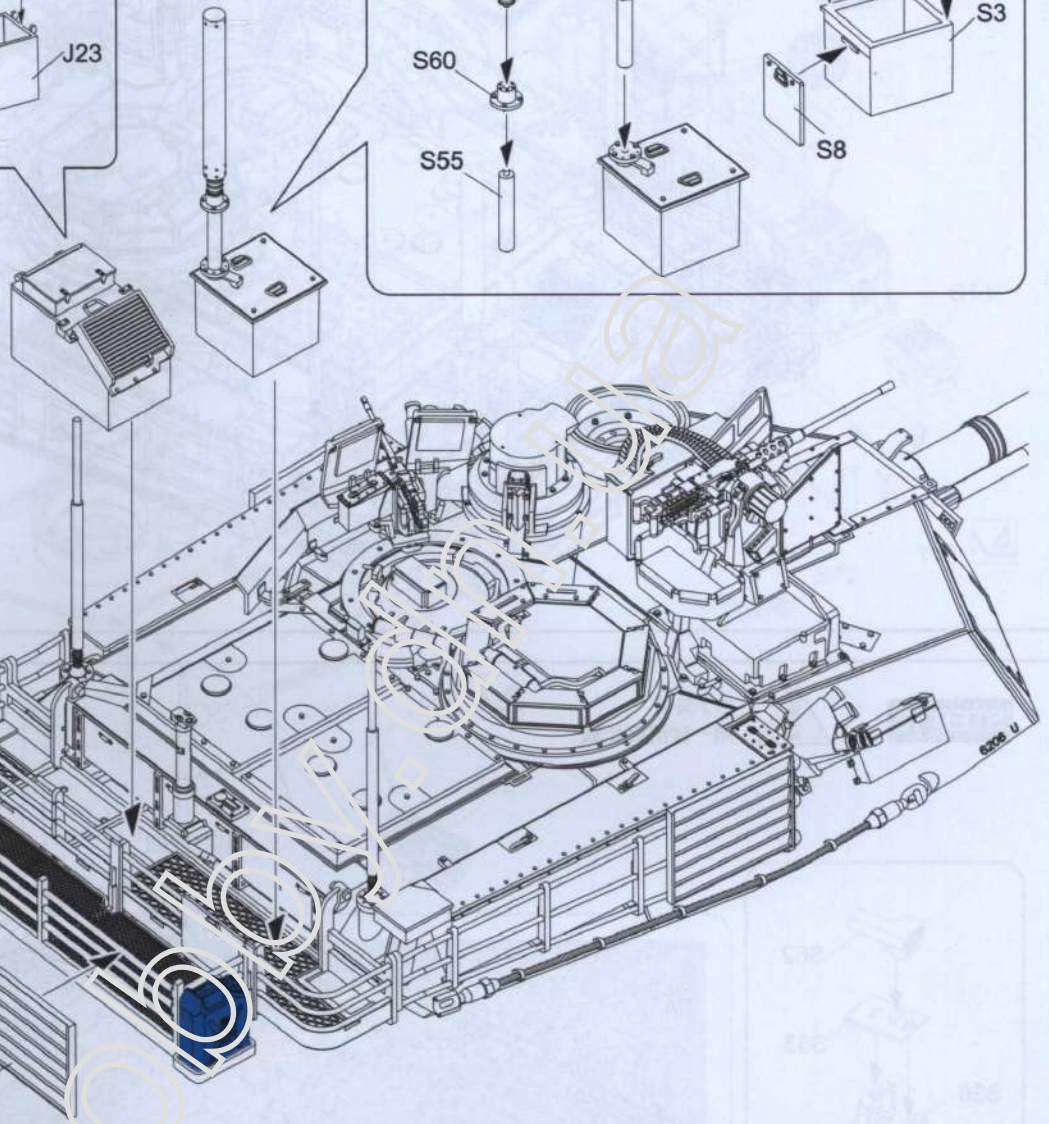
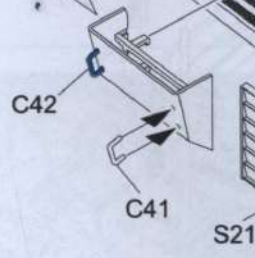
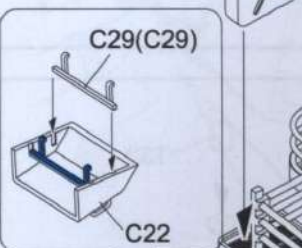
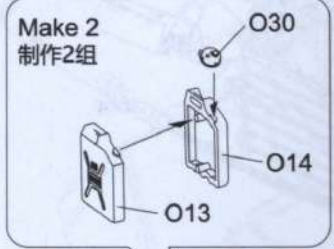
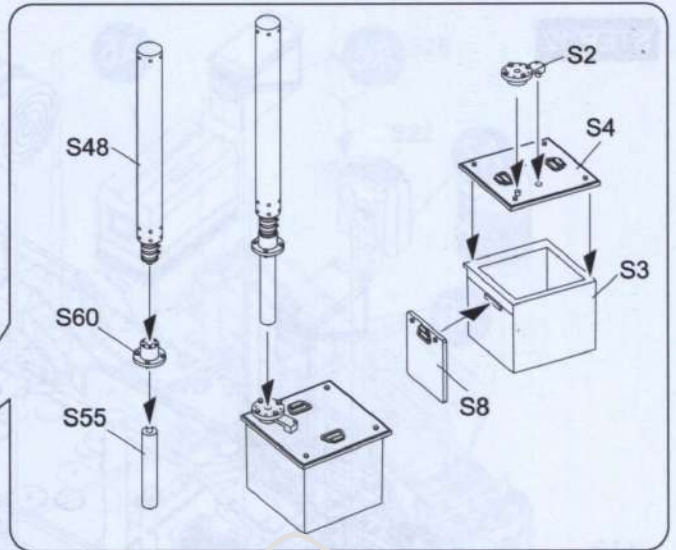
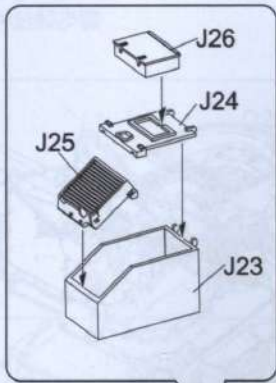


STEP 10

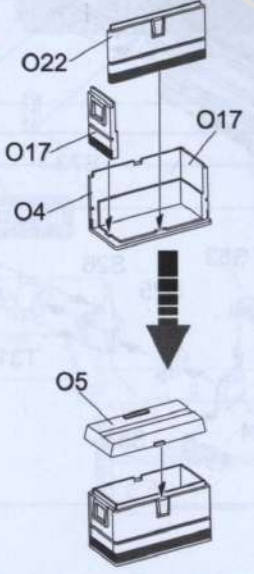




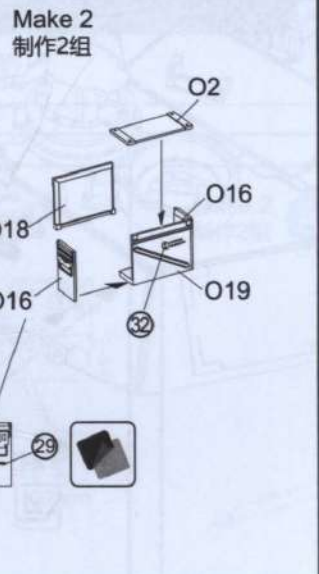
**STEP 11**



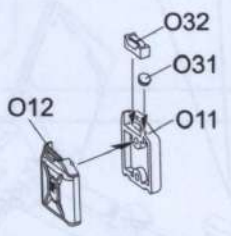
**A5**



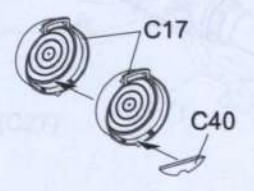
**A6**



**A7**

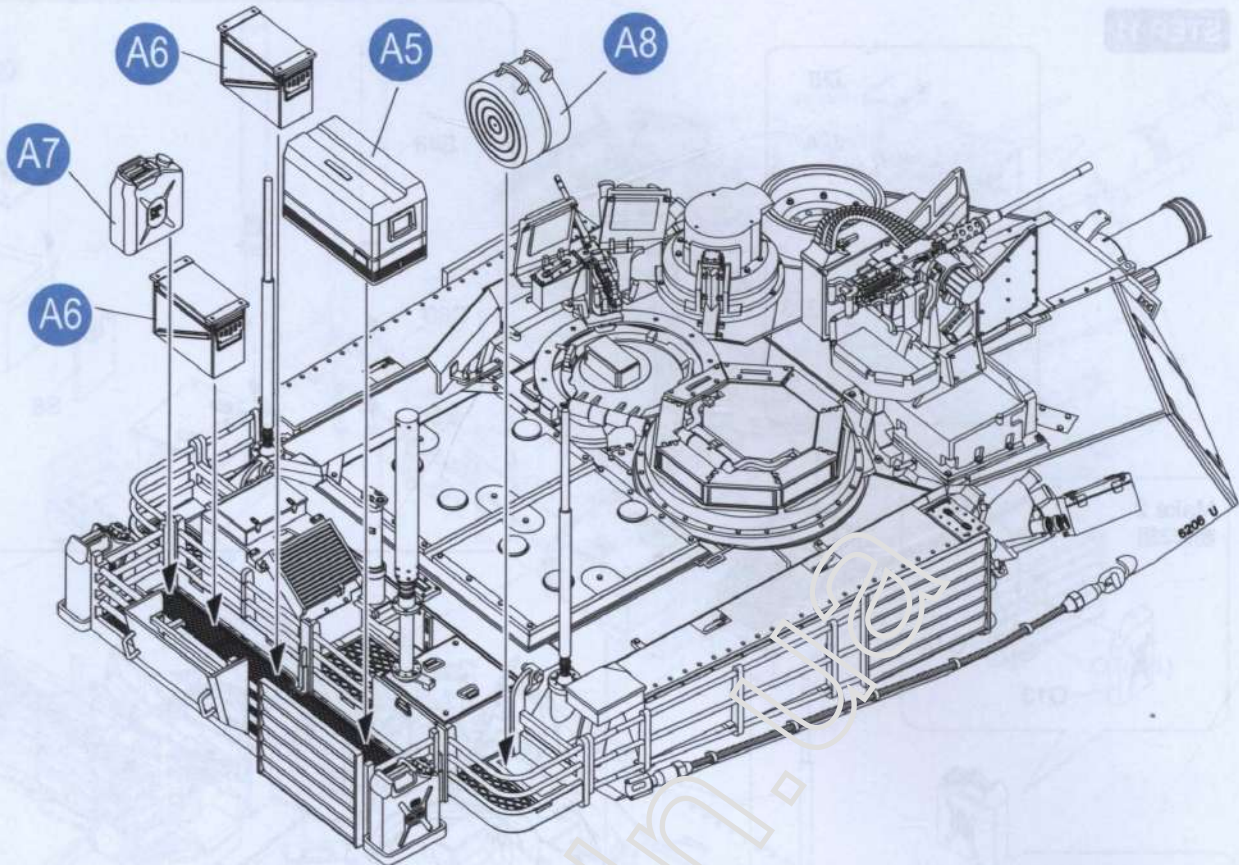


**A8**





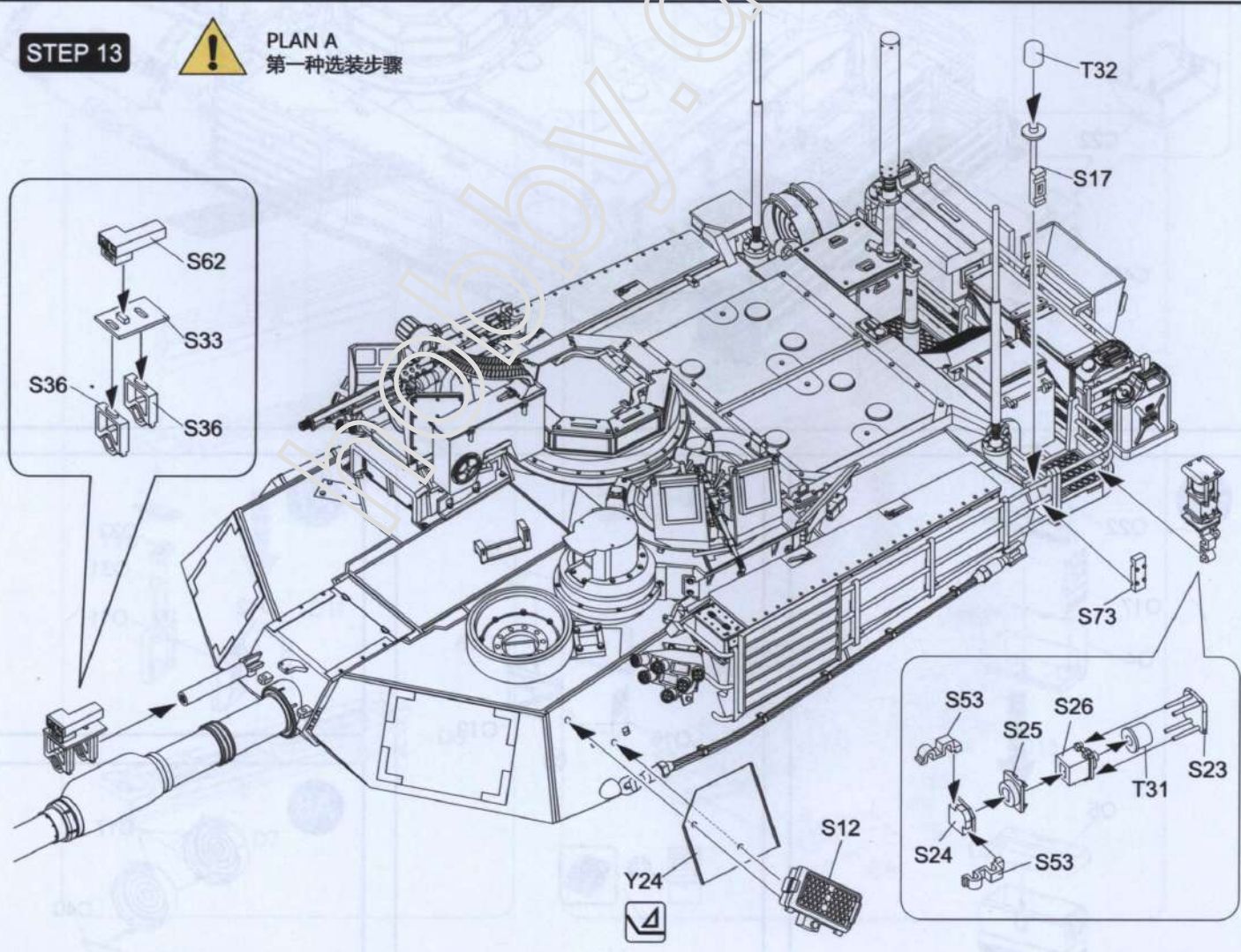
STEP 12



STEP 13



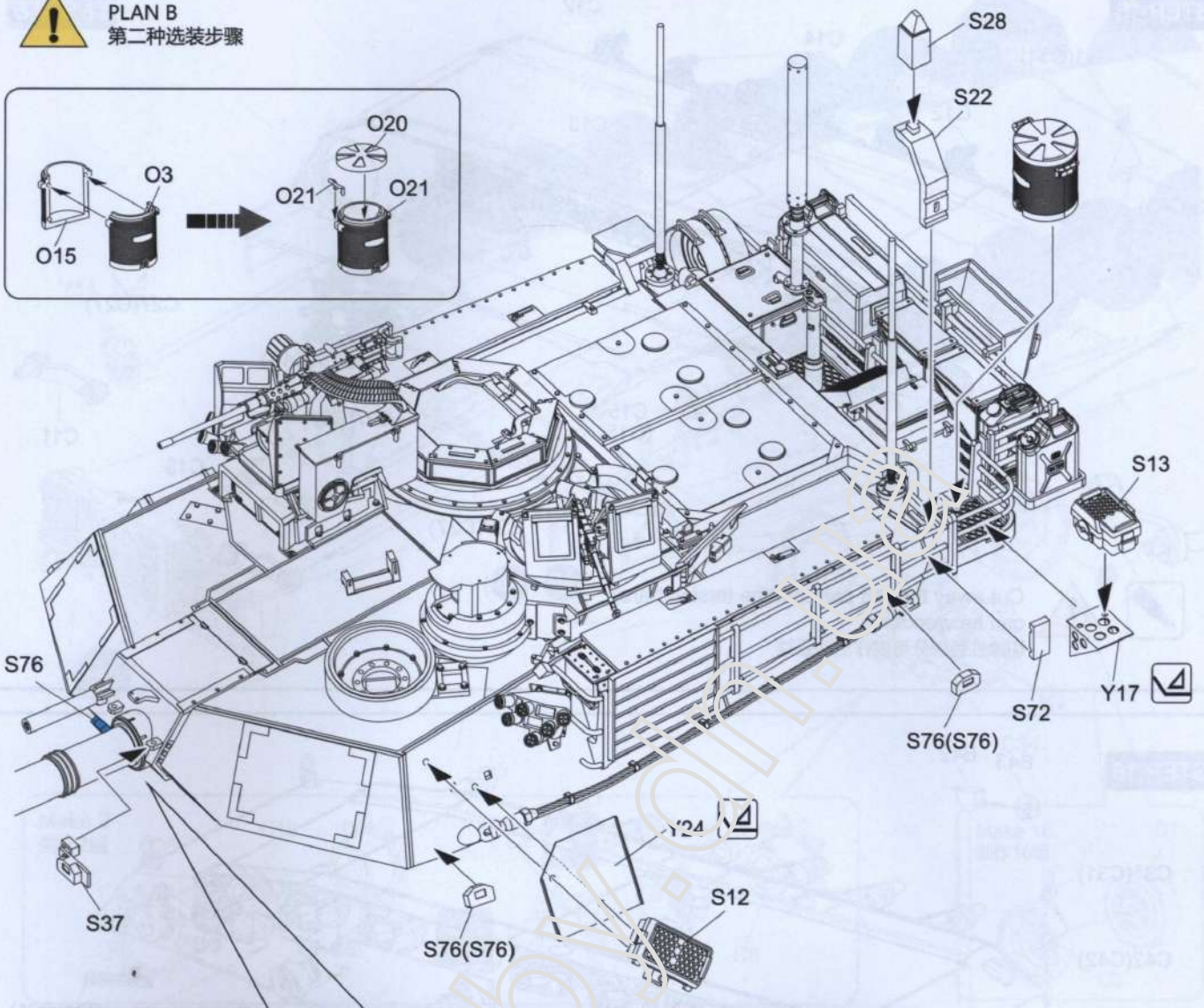
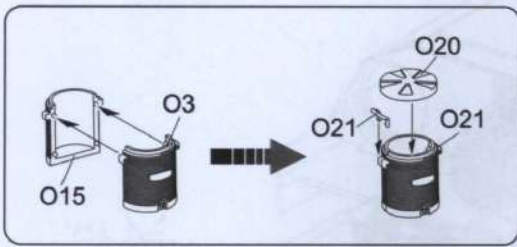
PLAN A  
第一种选装步骤



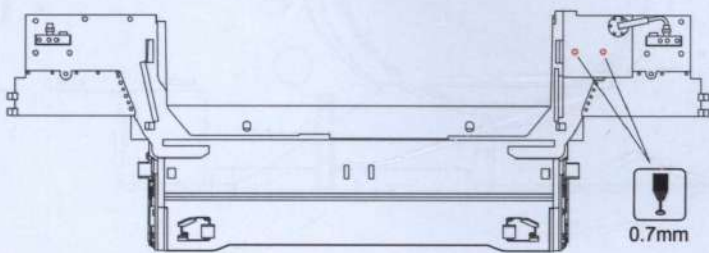




PLAN B  
第二种选装步骤

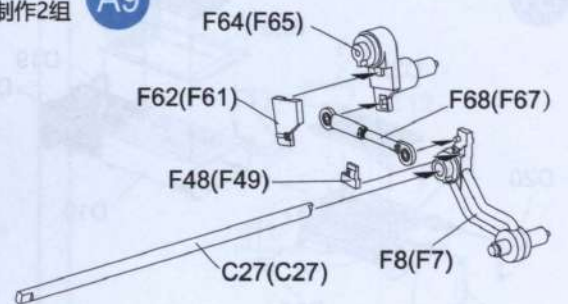


**STEP 14**



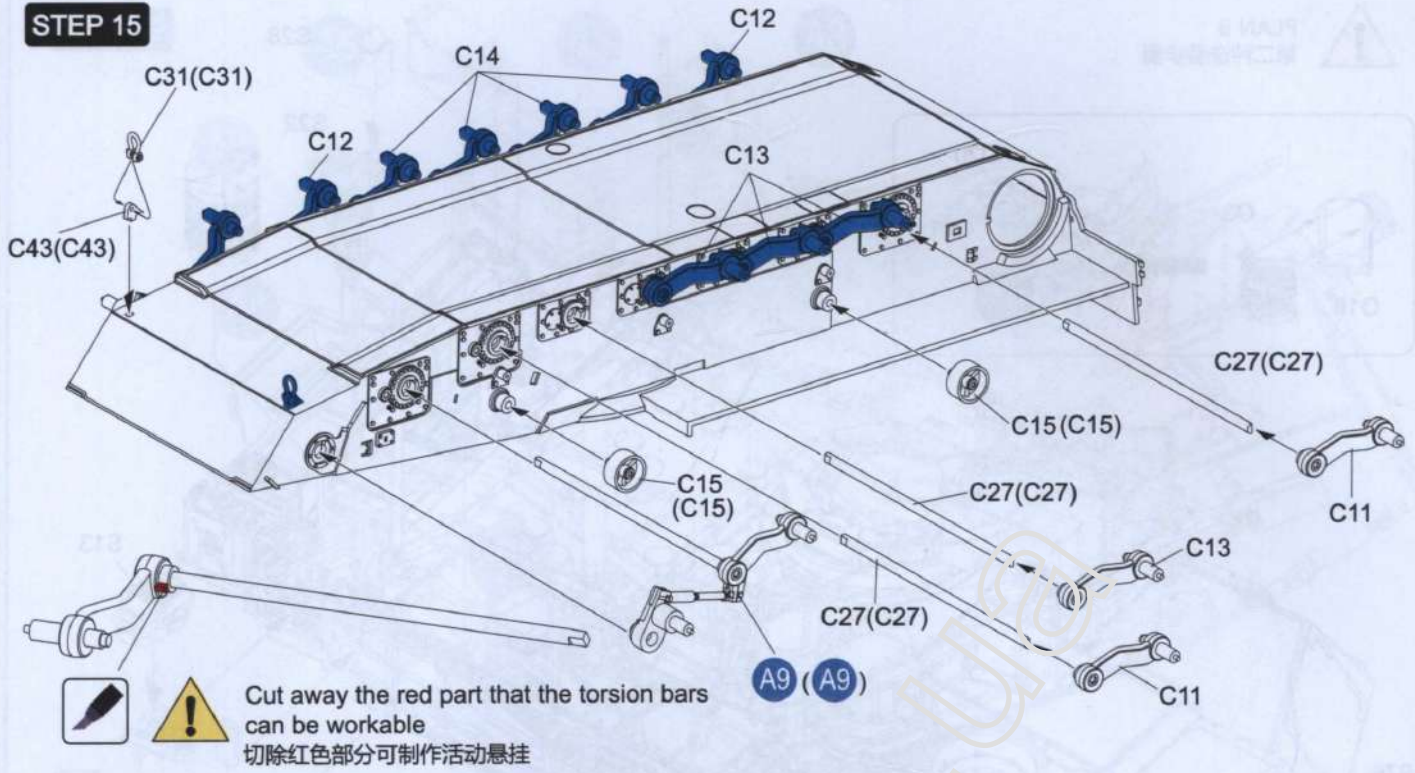
Make 2  
制作2组

A9

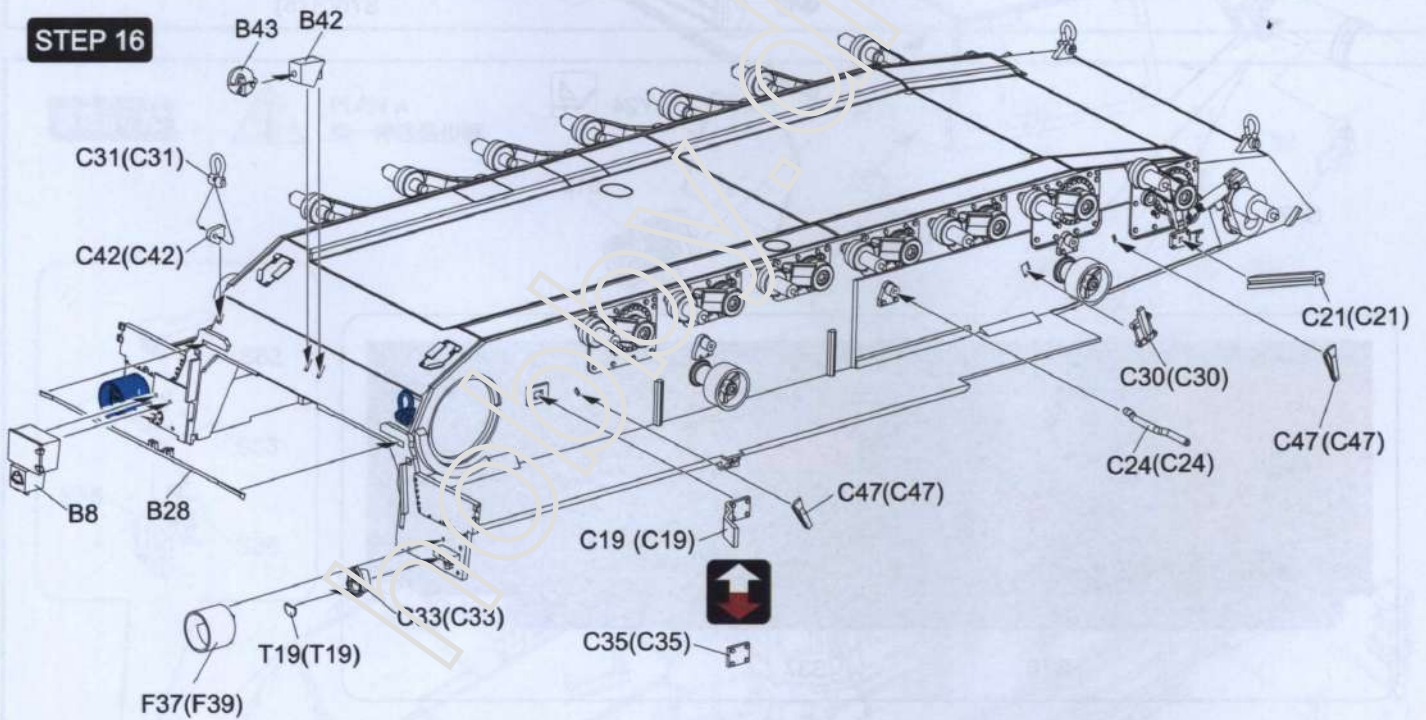




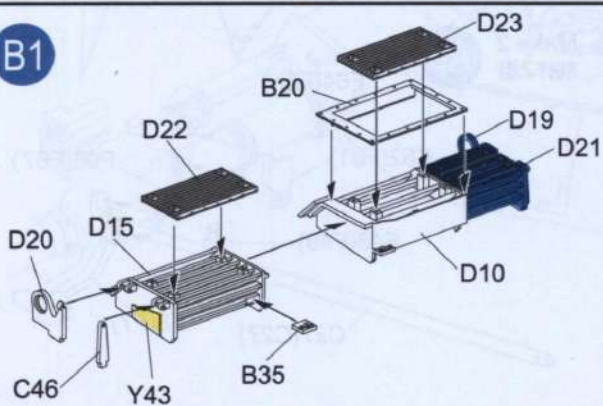
**STEP 15**



**STEP 16**

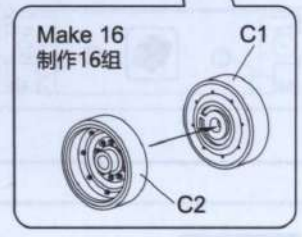
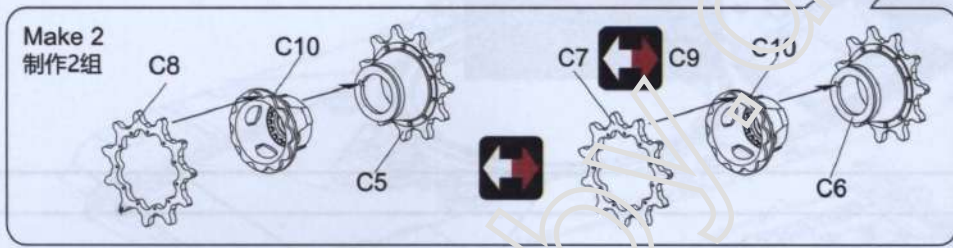
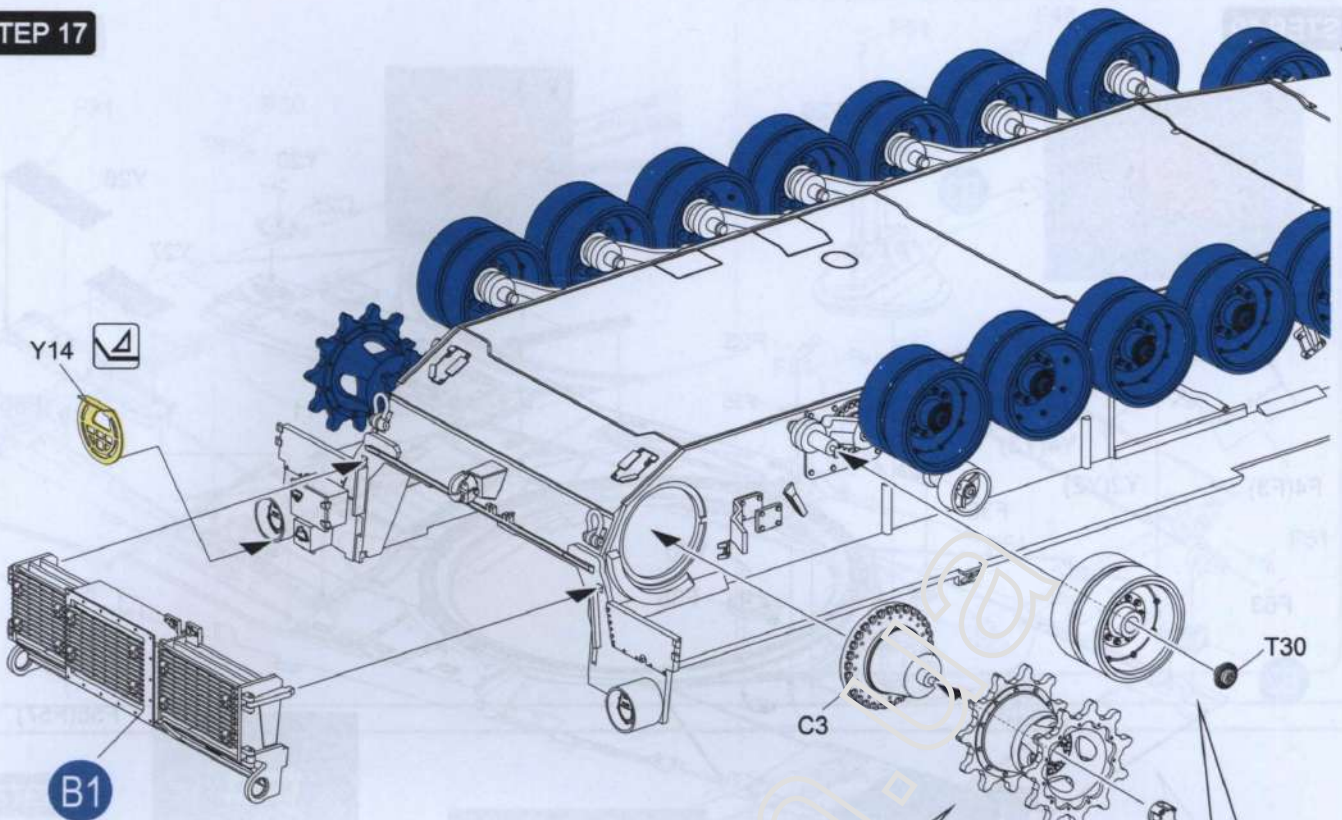


**B1**

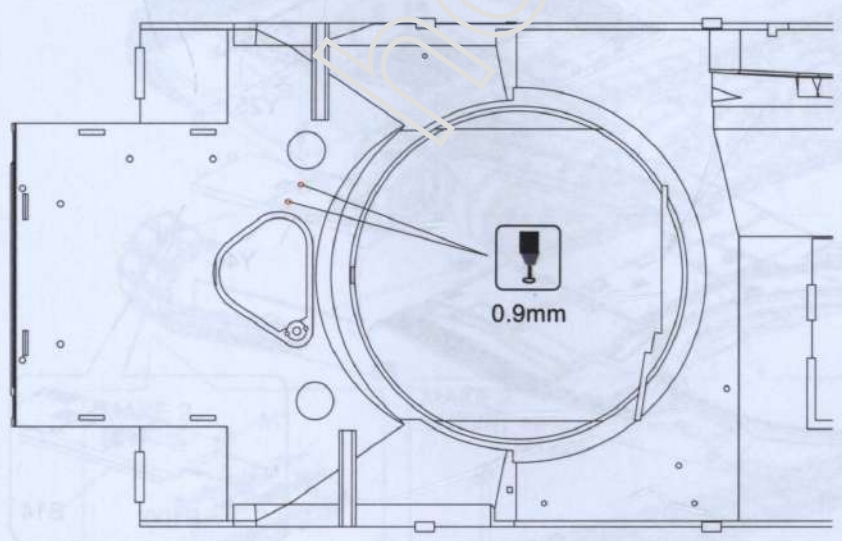




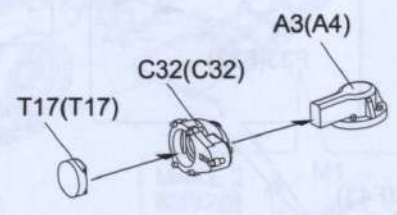
**STEP 17**



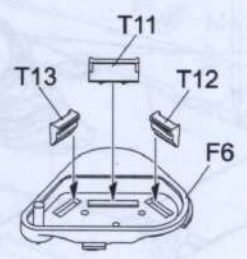
**STEP 18**



Make 2  
制作2组 **B2**

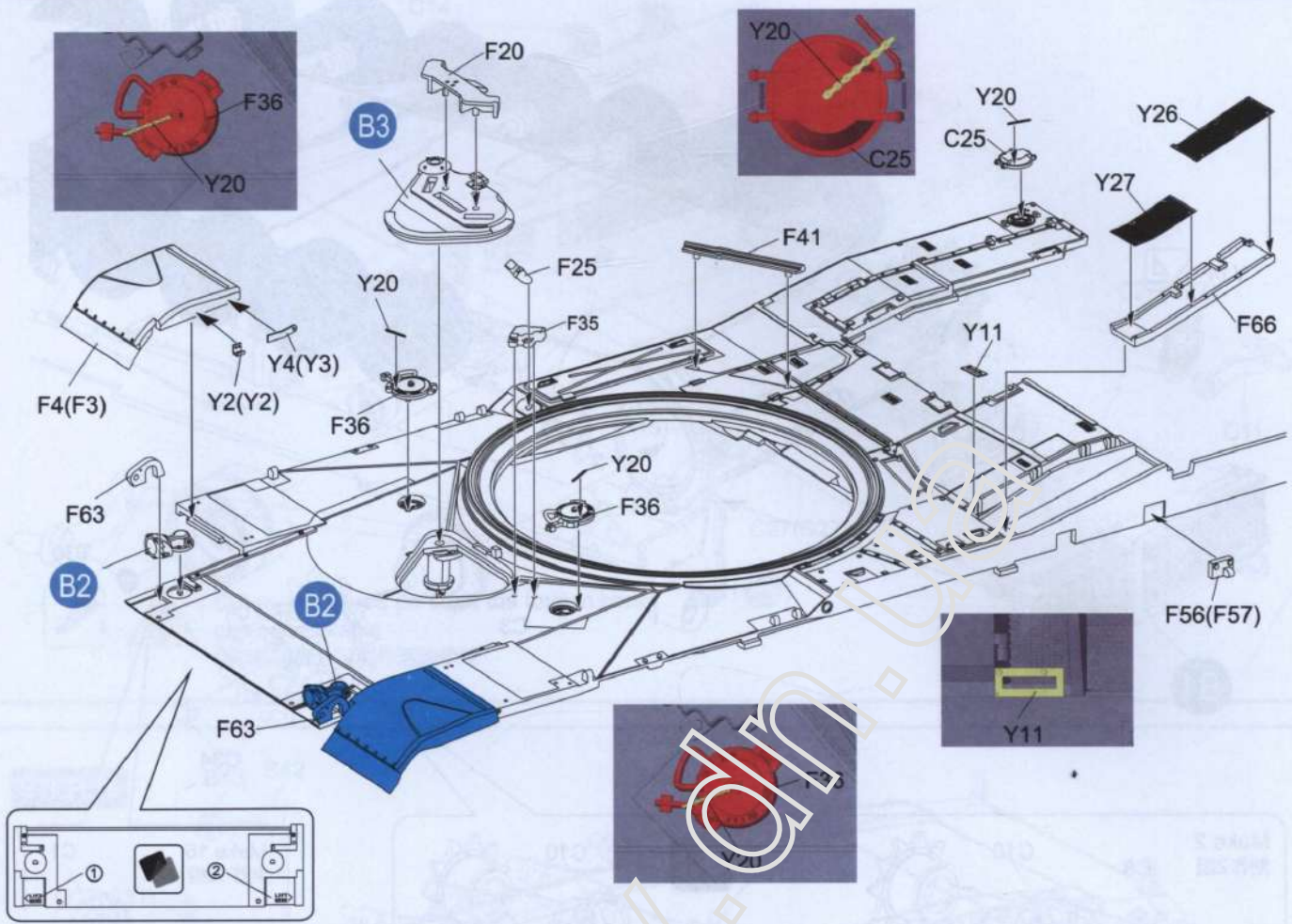


**B3**

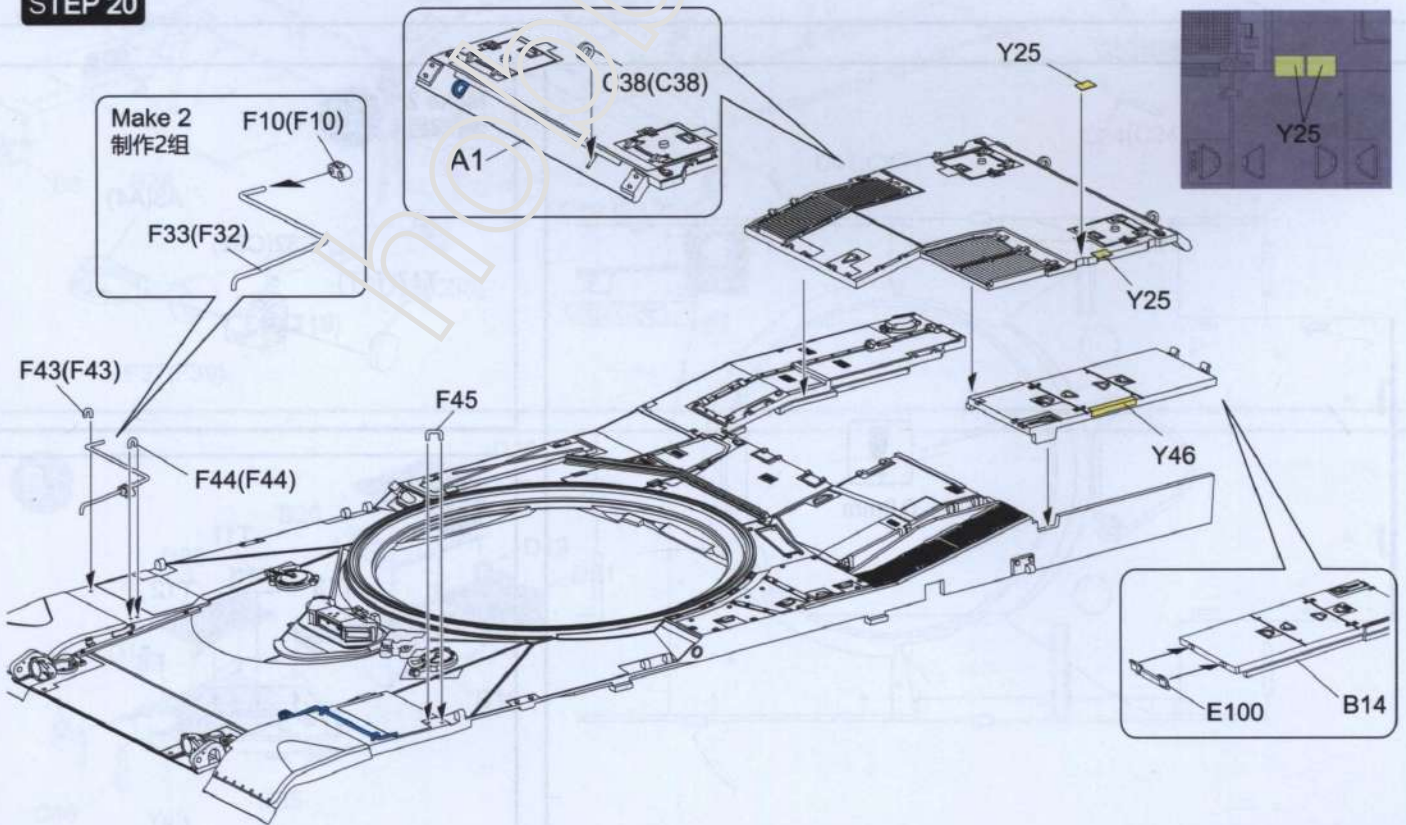




STEP 19

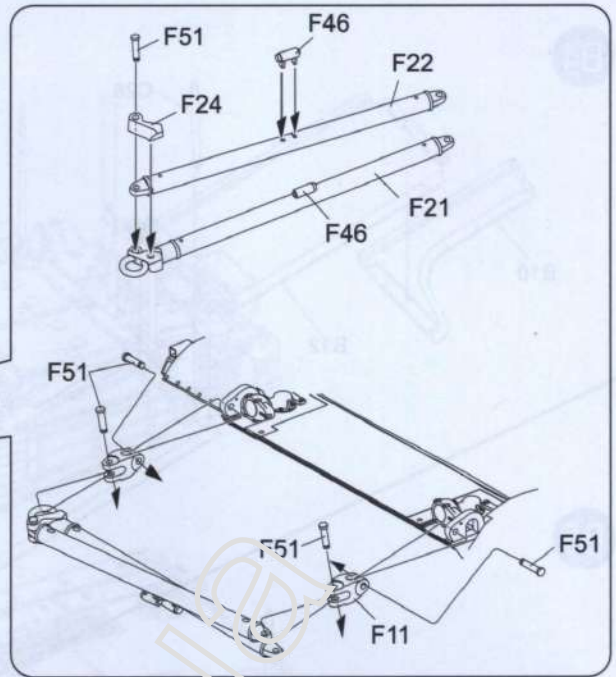
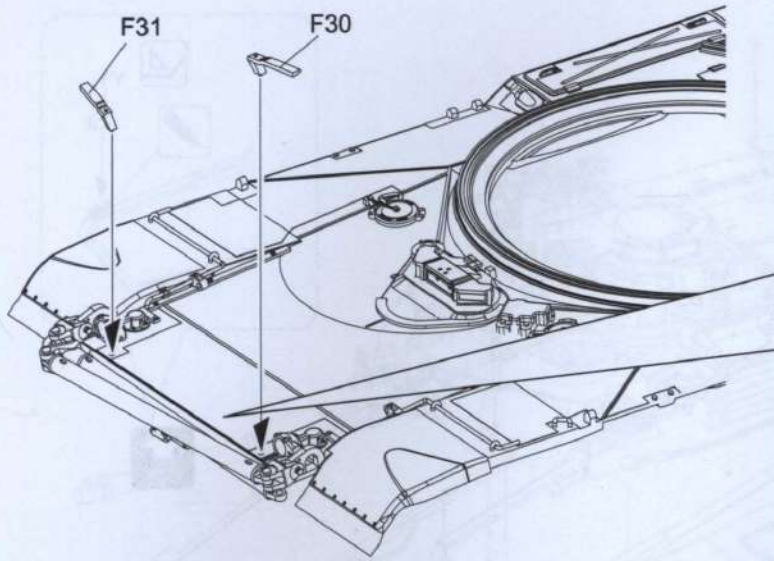


STEP 20

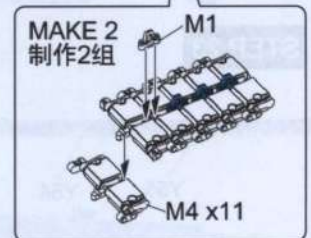
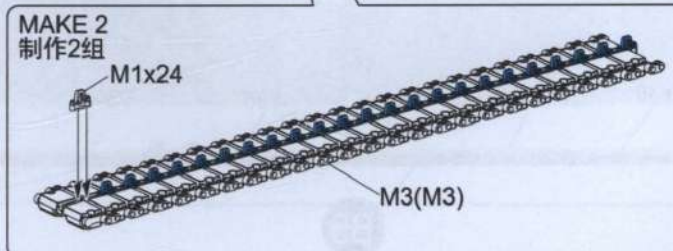
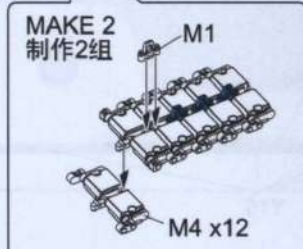
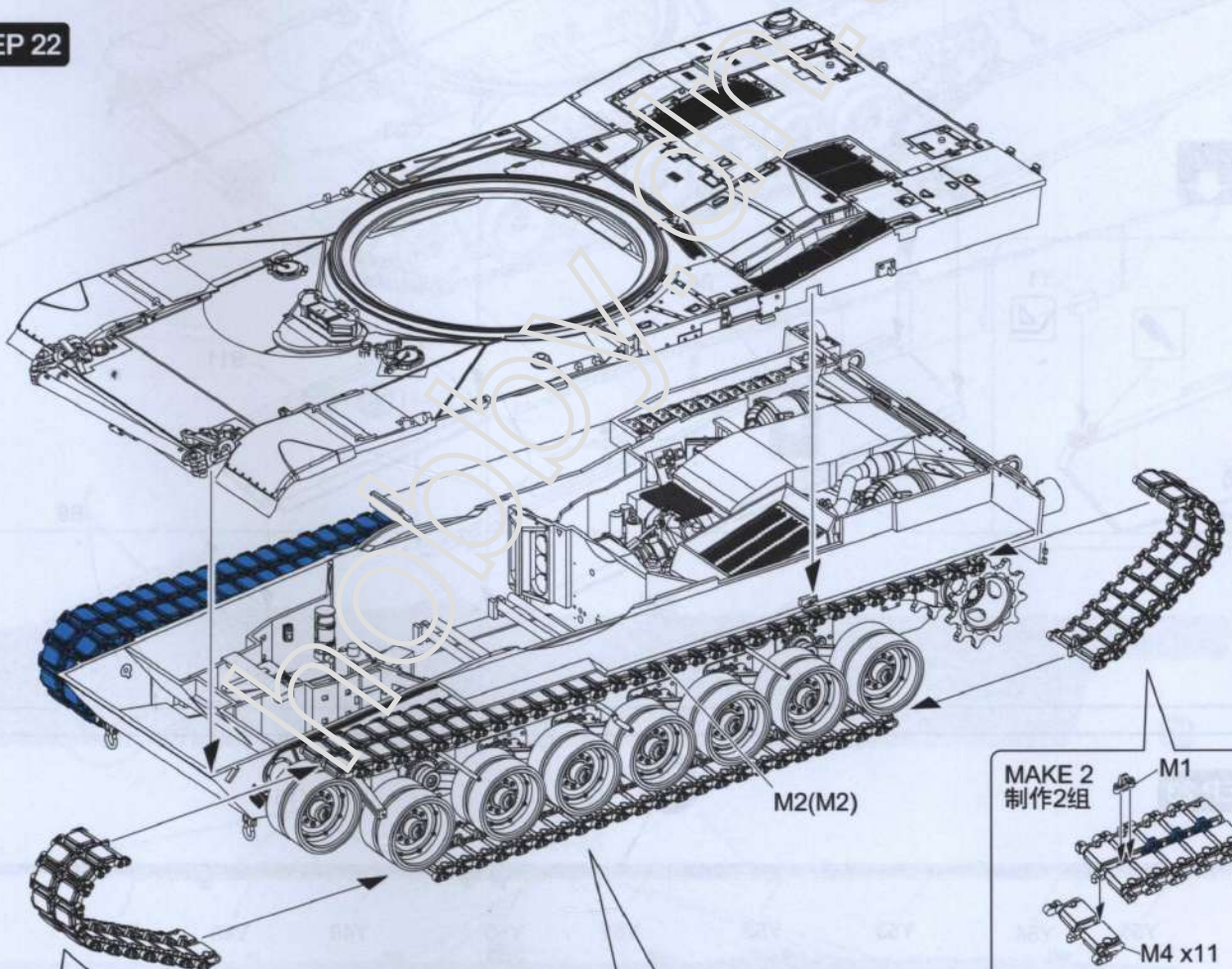




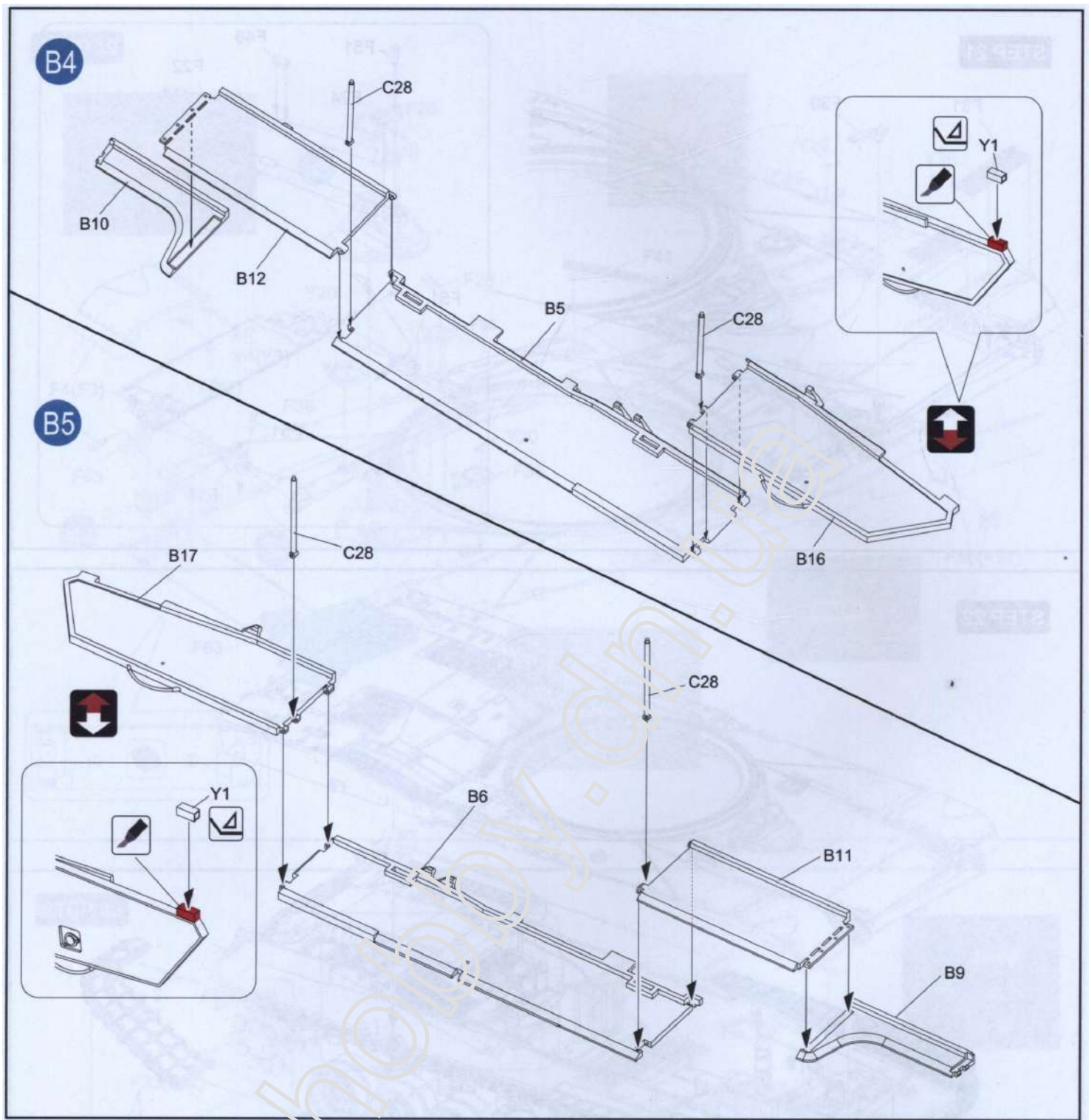
**STEP 21**



**STEP 22**



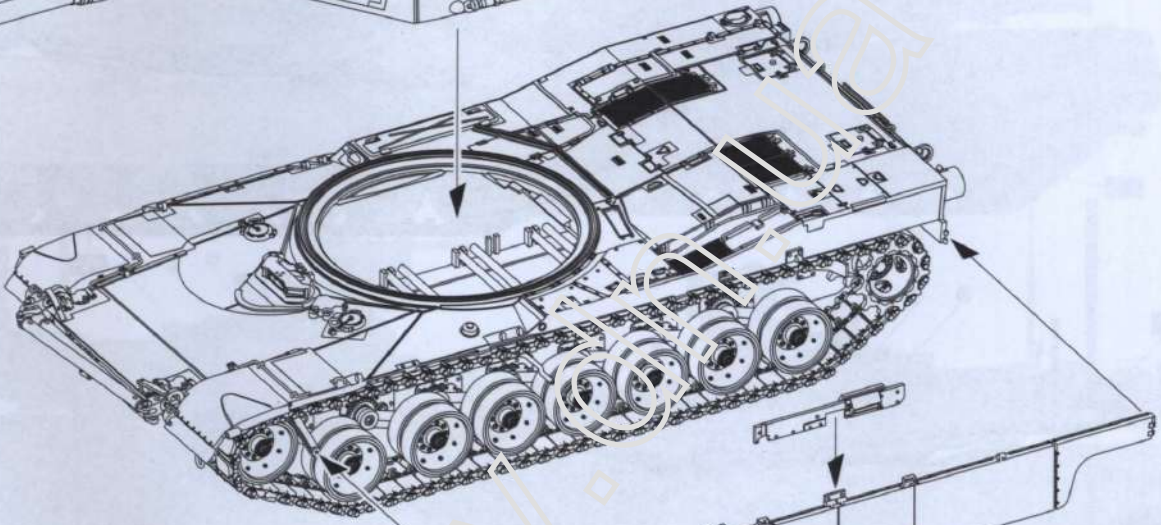
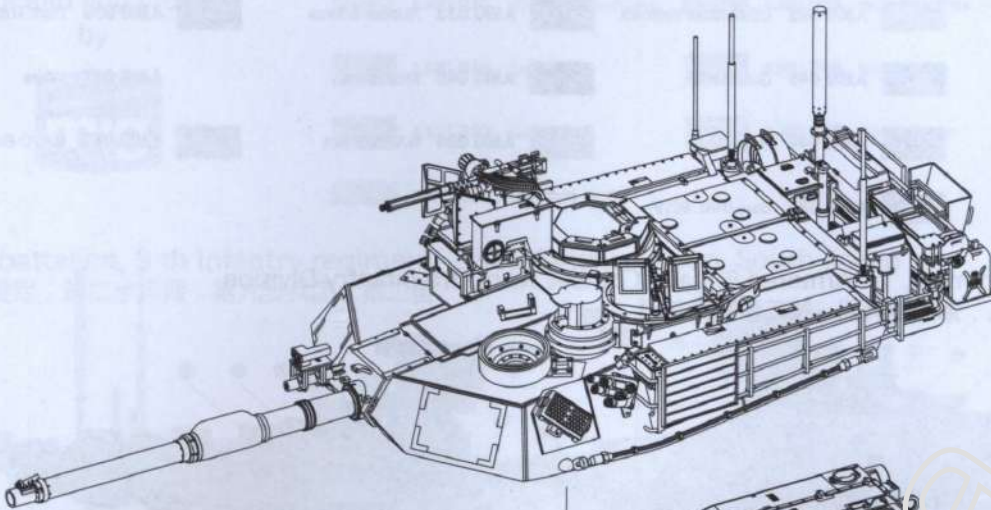




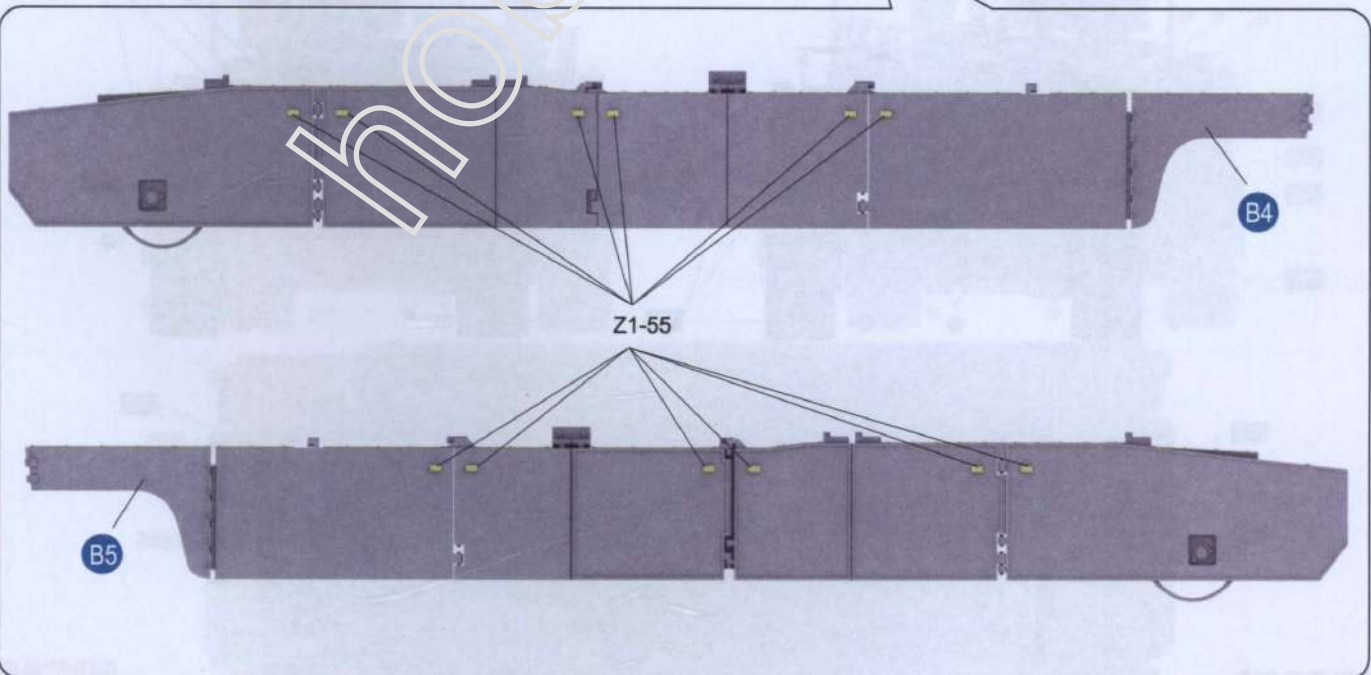


STEP 24

PAINTING & MARKING GUIDE



B4 (B5)



Z1-55

B4

B5


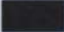


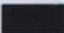


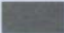




# PAINTING & MARKING GUIDE

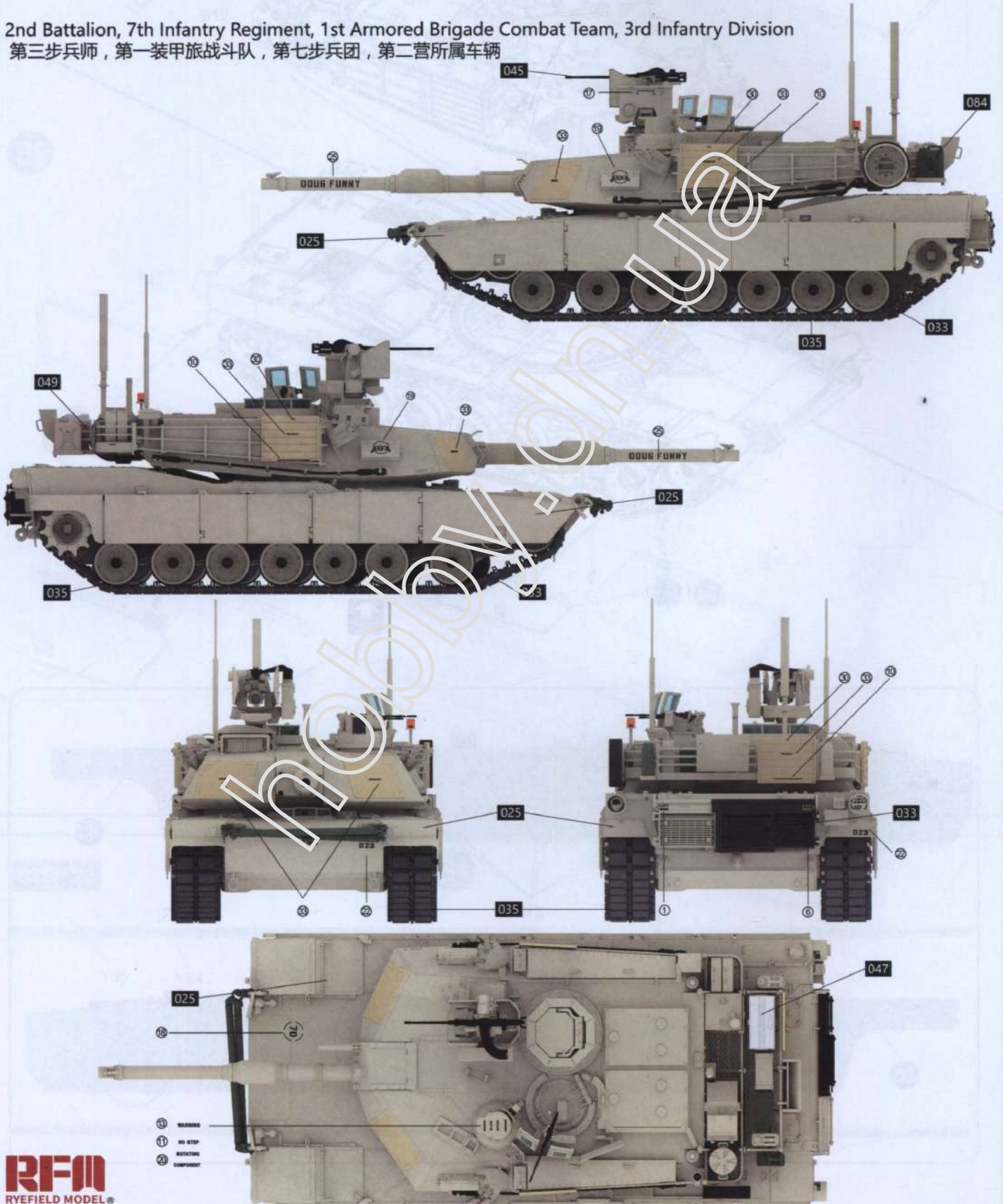
STEP 21

Color info and profiles by



 A.MIG 025 US Modern Vehicles	 A.MIG 033 Rubber & Tires	 A.MIG 035 Dark Tracks
 A.MIG 045 Gun Metal	 A.MIG 046 Matt Black	 A.MIG 047 White
 A.MIG 049 Red	 A.MIG 084 NATO Green	 A.MIG 085 NATO Brown
 A.MIG 086 Blue (RAL 5019)		

2nd Battalion, 7th Infantry Regiment, 1st Armored Brigade Combat Team, 3rd Infantry Division  
 第三步兵师，第一装甲旅战斗队，第七步兵团，第二营所属车辆




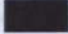








- ⑩ WARNING
- ⑪ NO STOP
- ⑫ ROTATING
- ⑬ COMPART



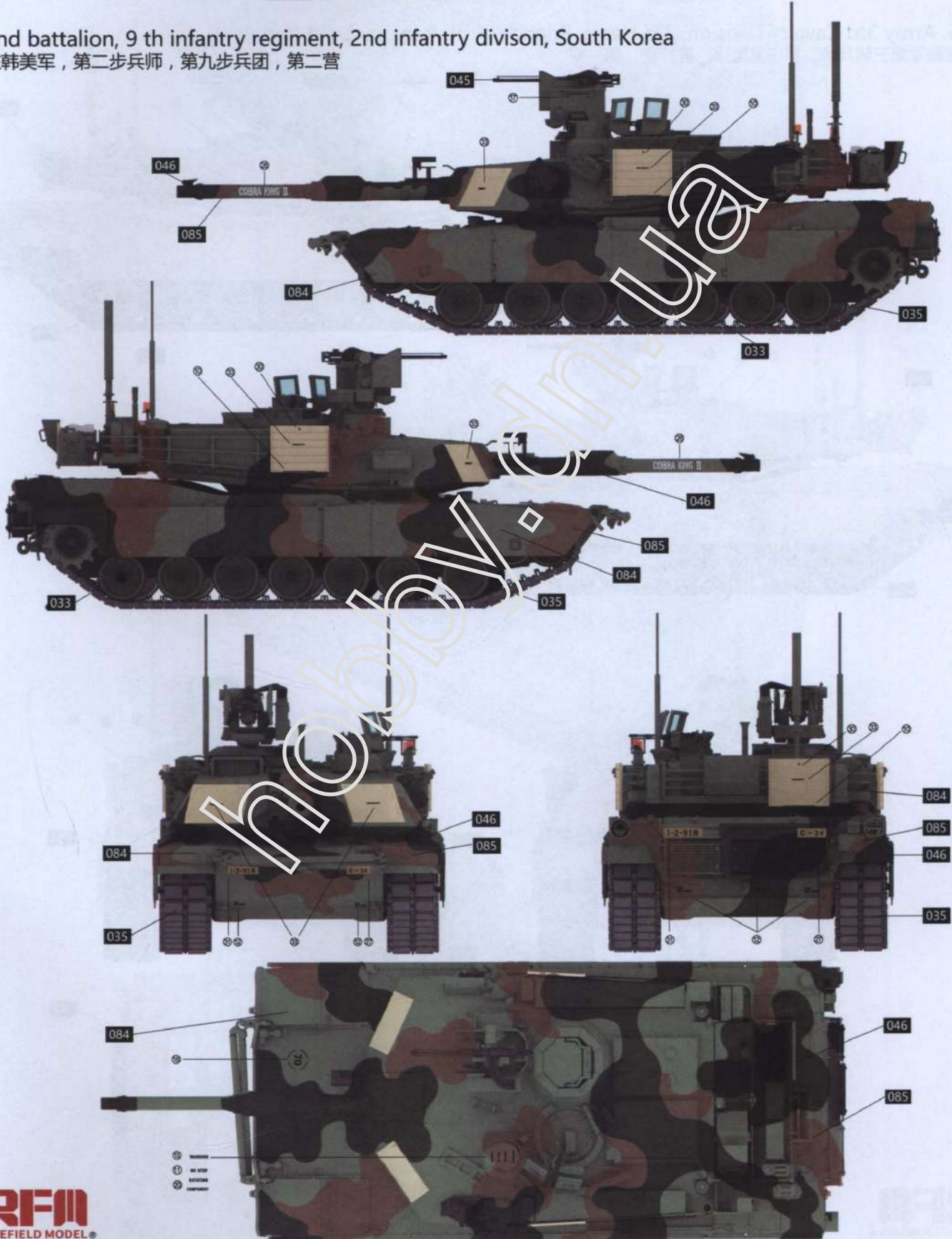
# PAINTING & MARKING GUIDE

Color info and profiles  
by



 A.MIG 025 US Modern Vehicles	 A.MIG 033 Rubber & Tires	 A.MIG 035 Dark Tracks
 A.MIG 045 Gun Metal	 A.MIG 046 Matt Black	 A.MIG 047 White
 A.MIG 049 Red	 A.MIG 084 NATO Green	 A.MIG 085 NATO Brown
 A.MIG 086 Blue (RAL 5019)		

2nd battalion, 9th infantry regiment, 2nd infantry division, South Korea  
驻韩美军, 第二步兵师, 第九步兵团, 第二营


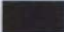


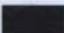









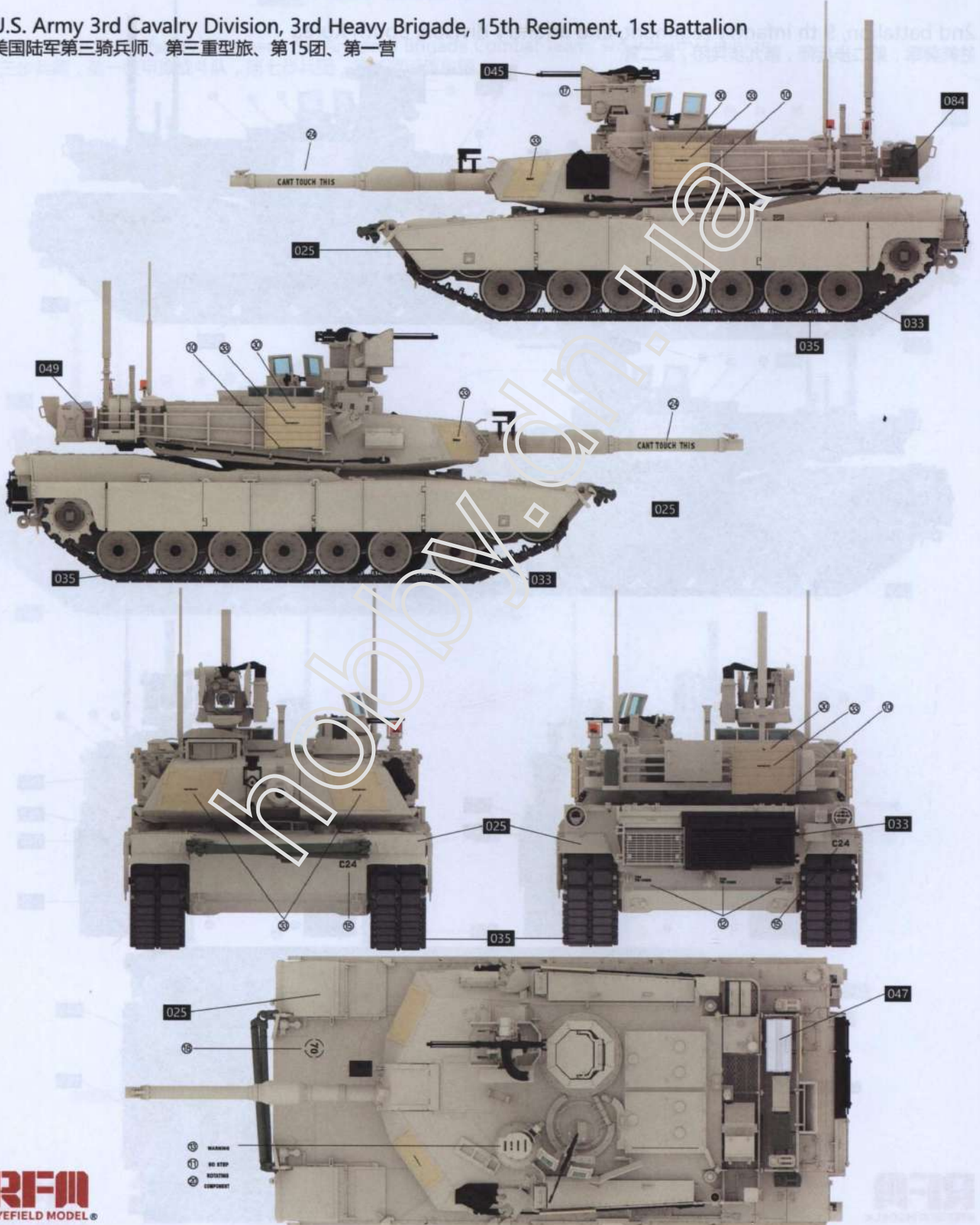
# PAINTING & MARKING GUIDE

Color info and profiles by



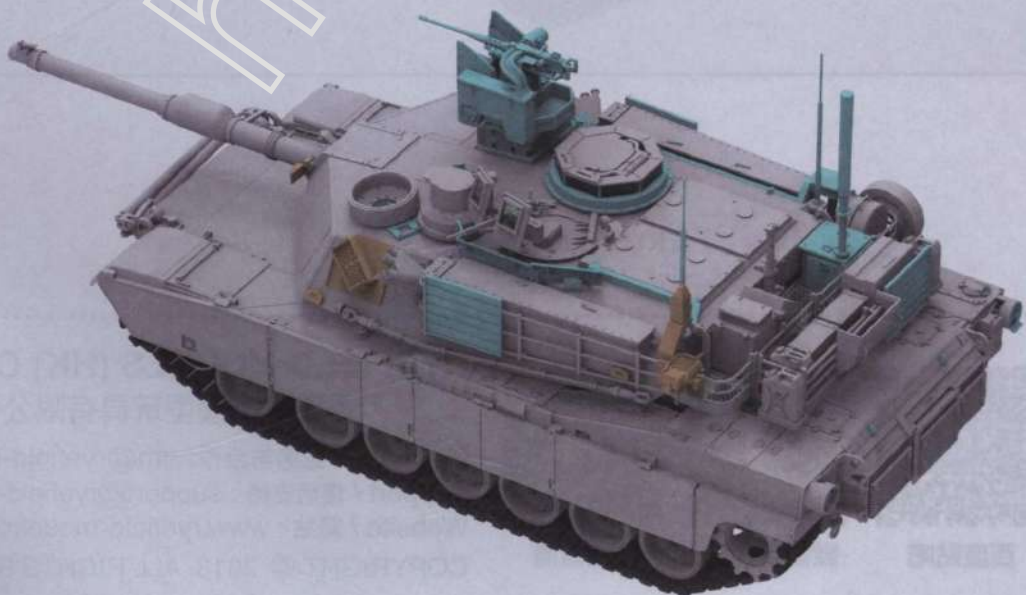
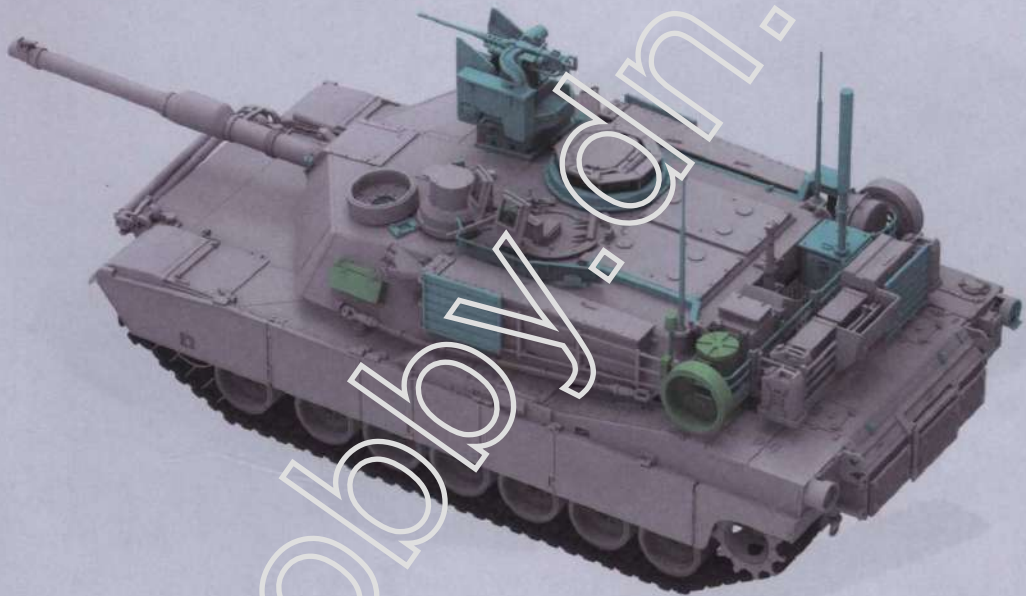
 A.MIG 025 US Modern Vehicles	 A.MIG 033 Rubber & Tires	 A.MIG 035 Dark Tracks
 A.MIG 045 Gun Metal	 A.MIG 046 Matt Black	 A.MIG 047 White
 A.MIG 049 Red	 A.MIG 084 NATO Green	 A.MIG 085 NATO Brown
 A.MIG 086 Blue (RAL 5019)		

U.S. Army 3rd Cavalry Division, 3rd Heavy Brigade, 15th Regiment, 1st Battalion  
 美国陆军第三骑兵师、第三重型旅、第15团、第一营



- ⑮ MARKING
- ⑰ NO STEP
- ⑱ ROTATING COMPONENT





hobbyon.us

1:35 SCALE U.S. MAIN BATTLE TANK

FACEBOOK