

T-34/ D30 122MM

SYRIAN SELF-PROPELLED HOWITZER

叙利亚 T-34/D30 自行榴彈炮 · T-34/D30 自走砲 シリア軍

ASSEMBLY ICONS



OPTIONAL
选择



CEMENT
膠水



DO NOT CEMENT
不使用膠水



INSTANT CEMENT
瞬間接著劑



BEND
彎折



MAKE 2
製作2組



OPEN HOLE
鑽孔



REMOVE
切除



BE CAREFUL
注意



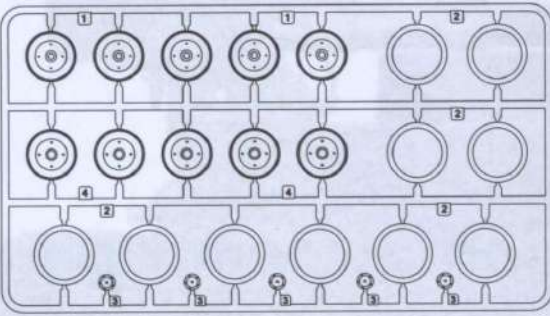
APPLY DECAL
貼上水貼紙

CAUTION!

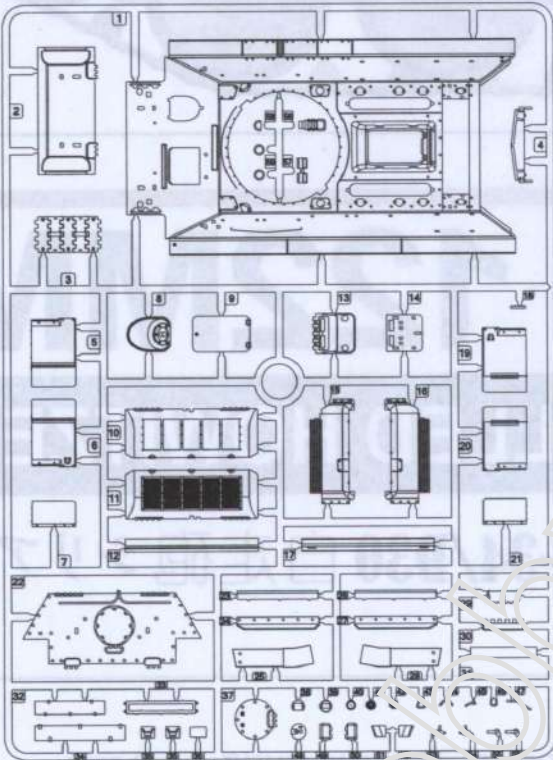
Read carefully and fully understand the instructions before commencing assembly.
Supervising adult should also read the instructions if a child assembles the model.
When you used glue or paint, do not use near a naked flame, and use in a well-ventilated room.
When assembling this kit, tools including knives are used. Extra care should be taken to avoid personal injury.
Read and follow the instructions supplied with paints and/ or cement. Use plastic cement and paints only.
Keep out of reach of small children. Children must not be allowed to suck any part, or pull vinyl bag over the head.

在裝配前仔細閱讀說明並完全理解。小孩裝配時需成人看護且需仔細閱讀說明。
使用膠水和油漆時，應遠離火源並打開窗戶保持空氣流通。
製作時請格外注意工具刀和零件的鋒利尖銳部分，避免對身體造成傷害。
在使用膠水和油漆前仔細閱讀注意事項，按照說明正確使用膠水和油漆。
請將本品放在兒童接觸不到的地方，套件中的塑膠包裝袋會對兒童造成窒息的危險。

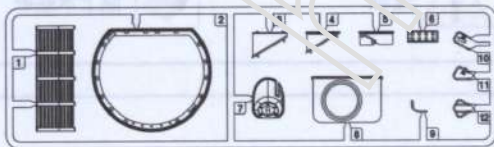
B. 2 pieces



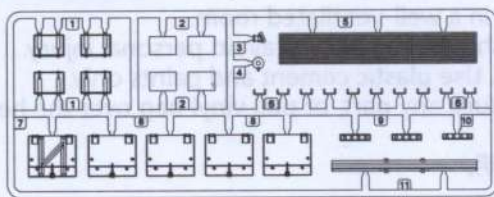
D. 1 piece



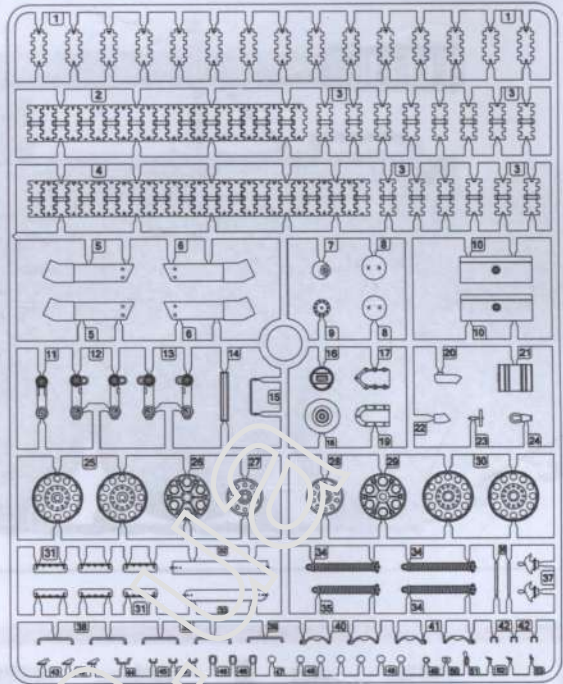
H. 1 piece



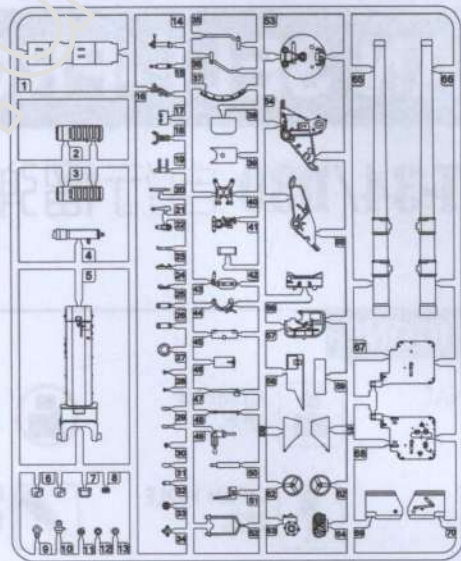
G. 2 pieces



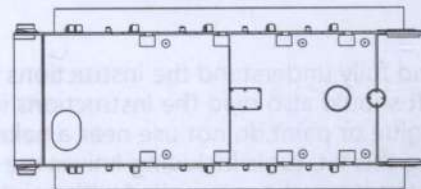
C. 2 pieces



E. 1 piece



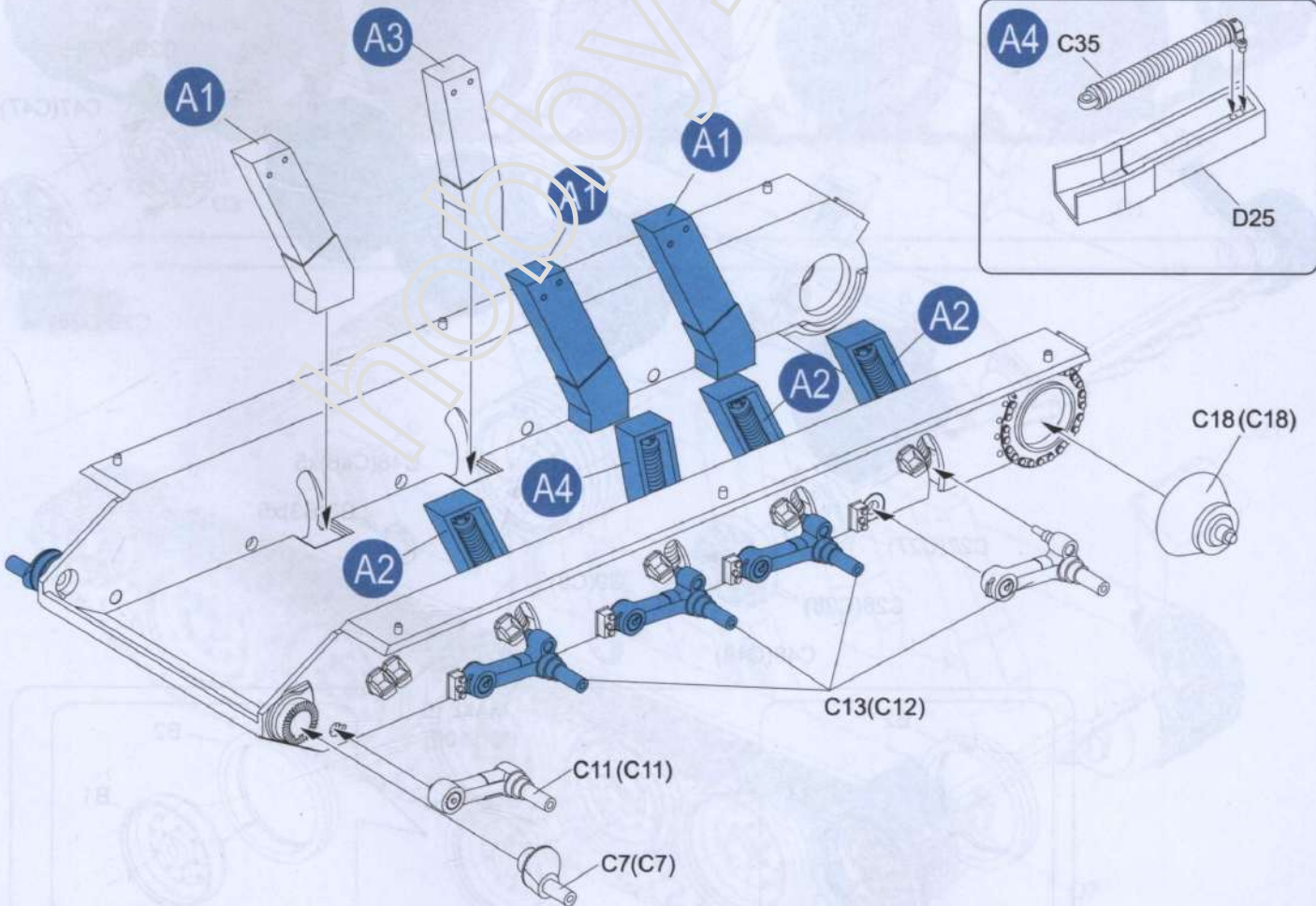
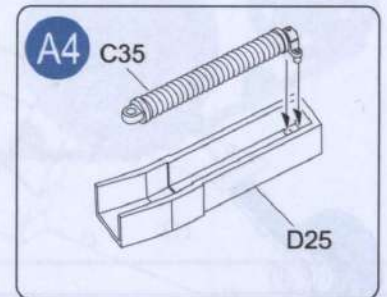
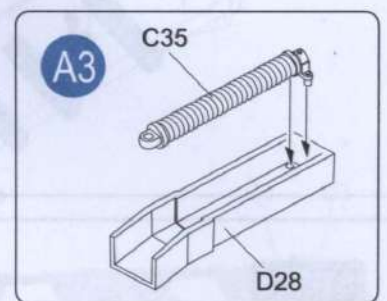
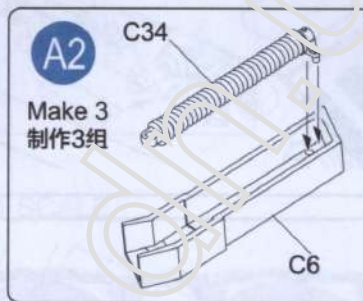
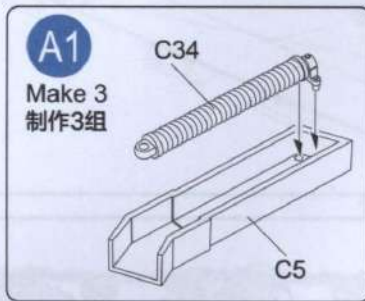
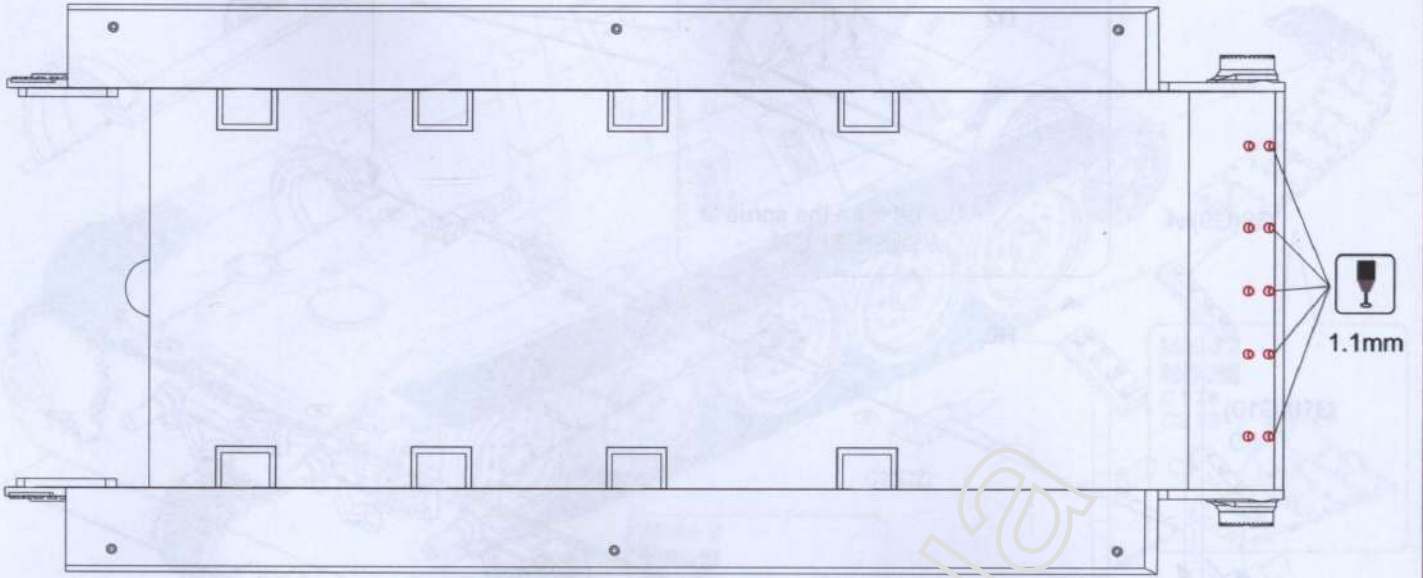
Lower Hull: 1 piece



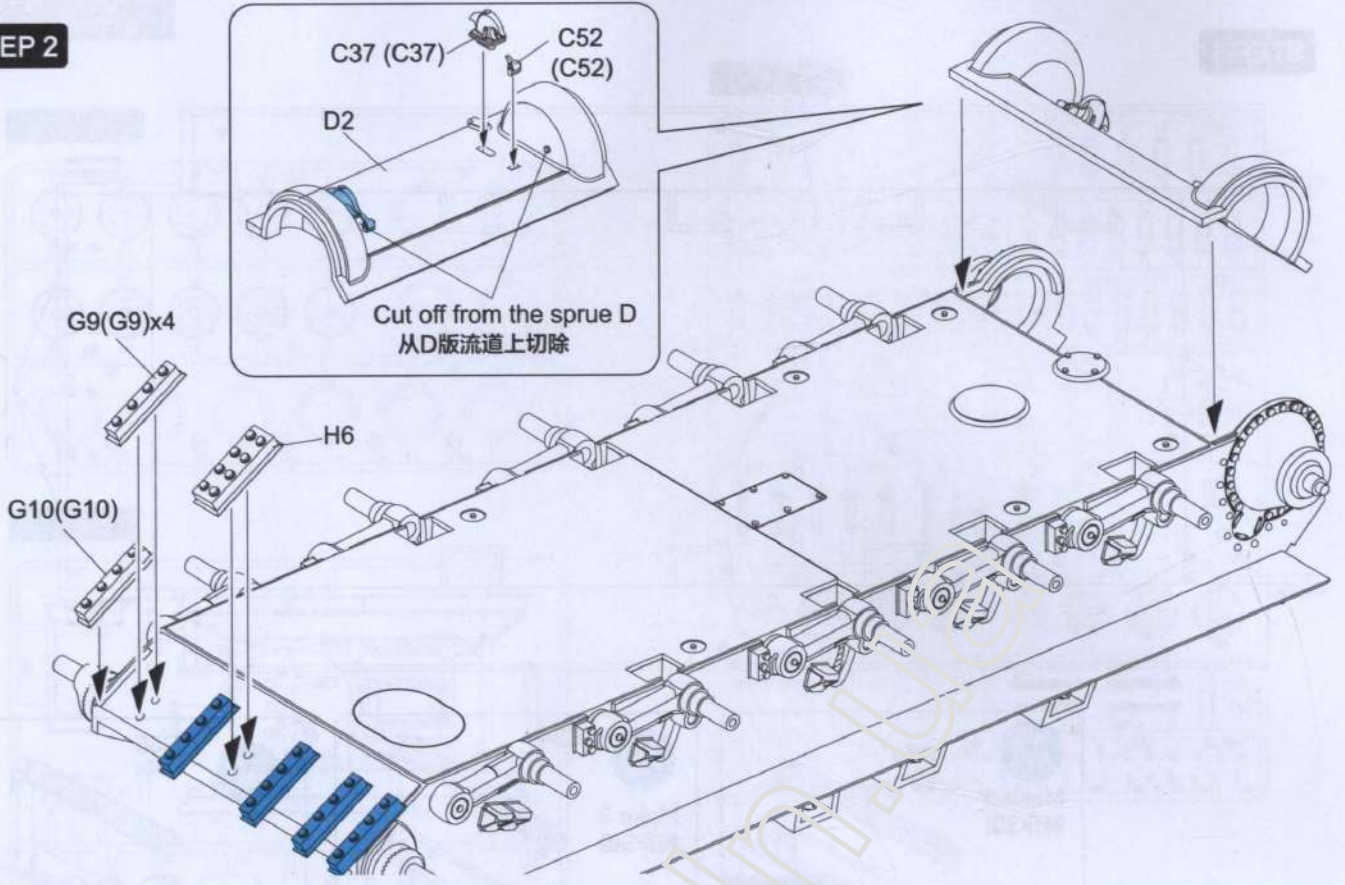
Y. 1 piece



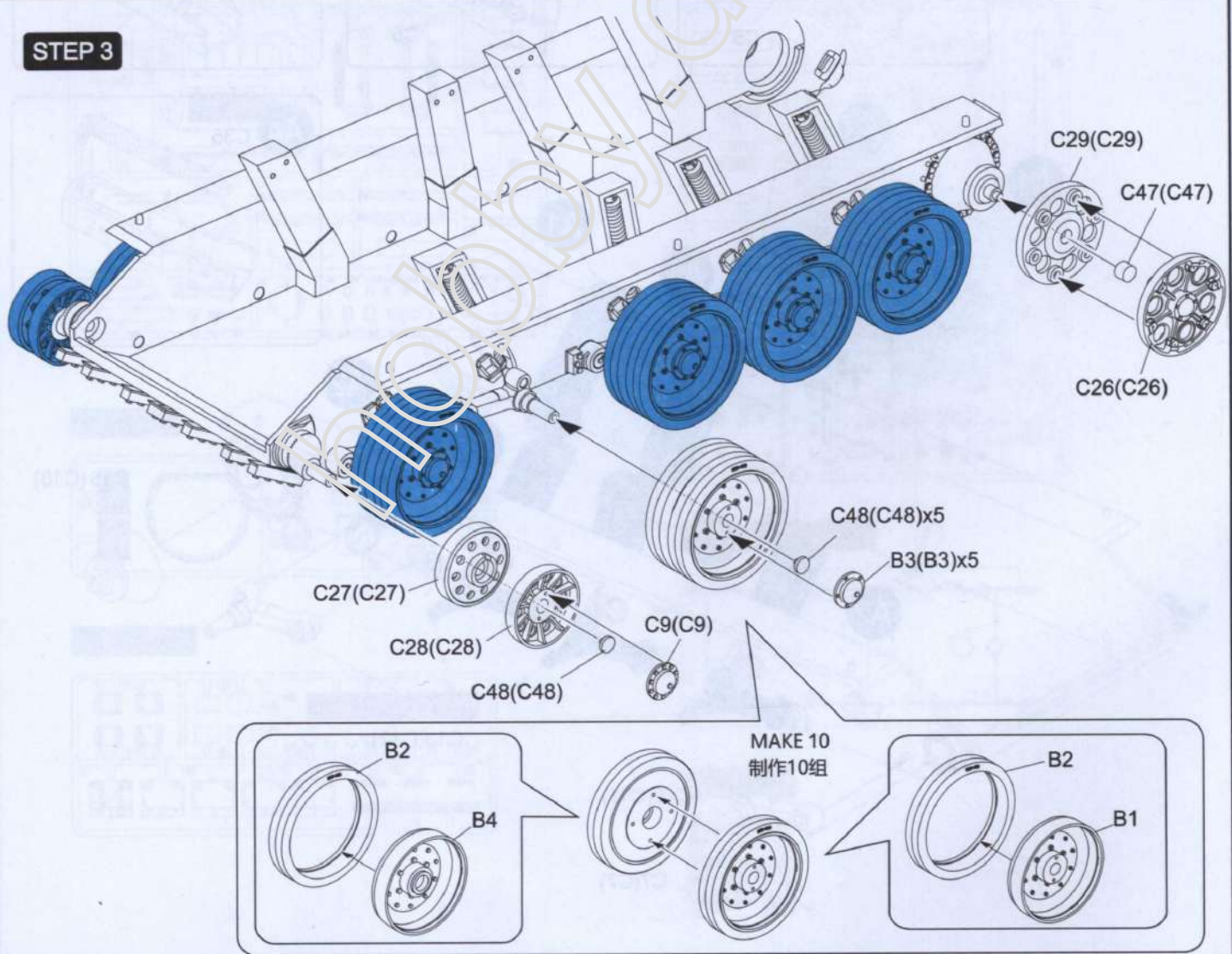
STEP 1



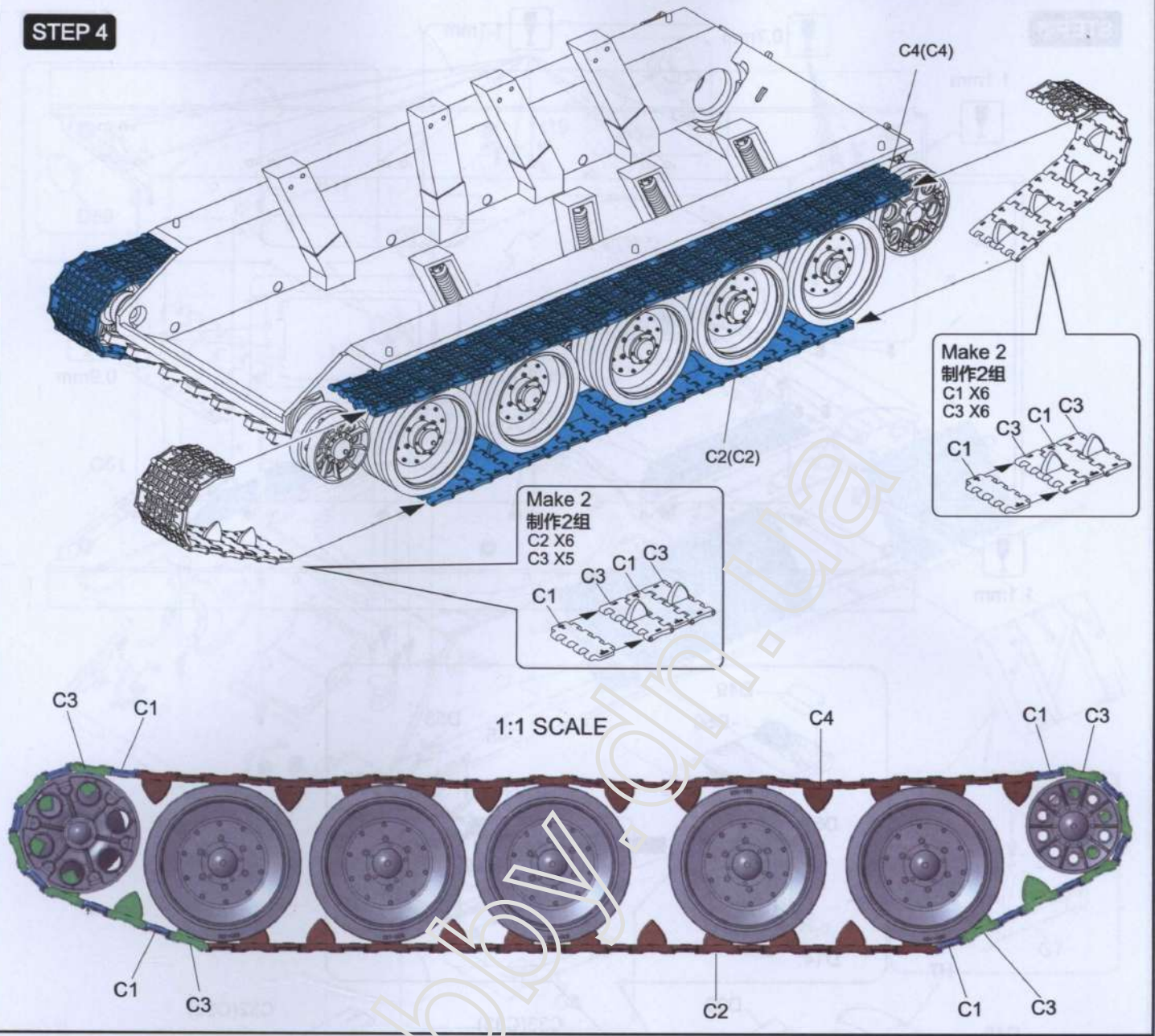
STEP 2



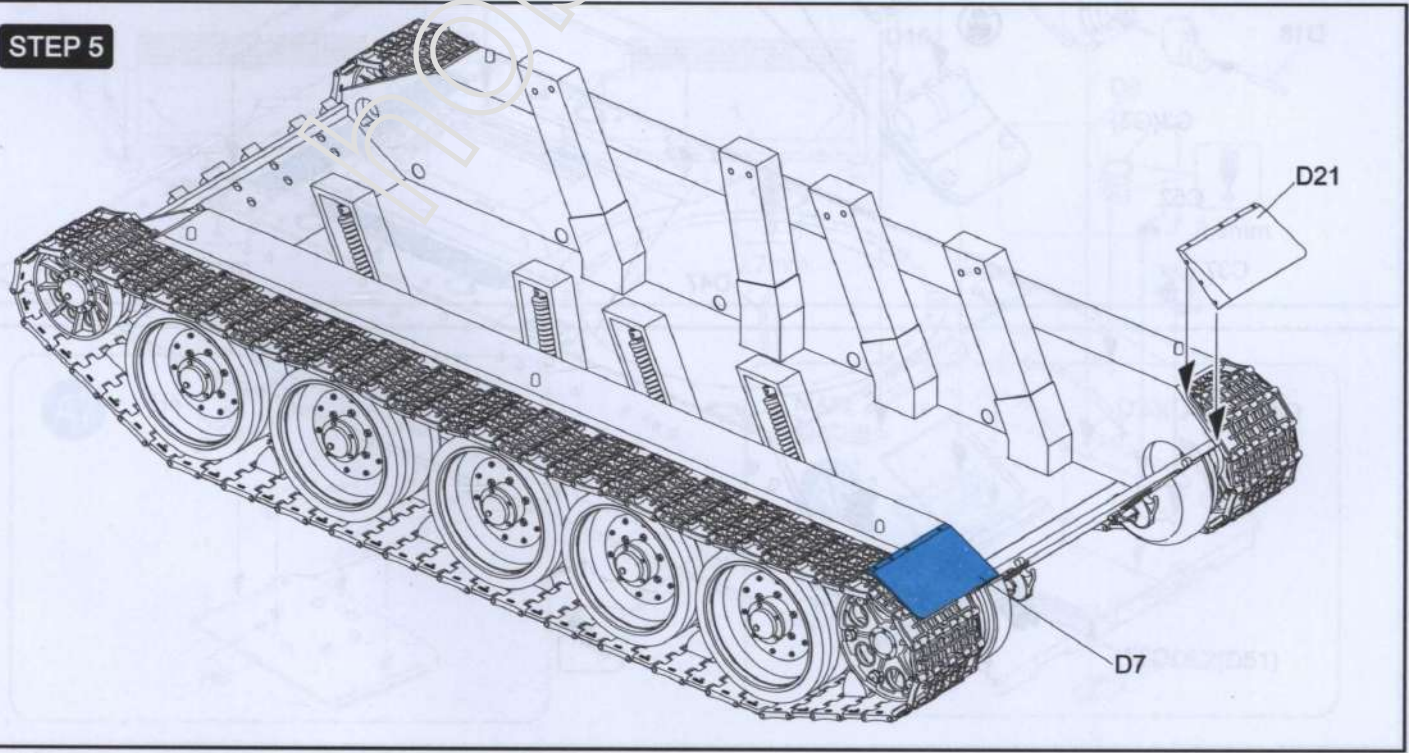
STEP 3



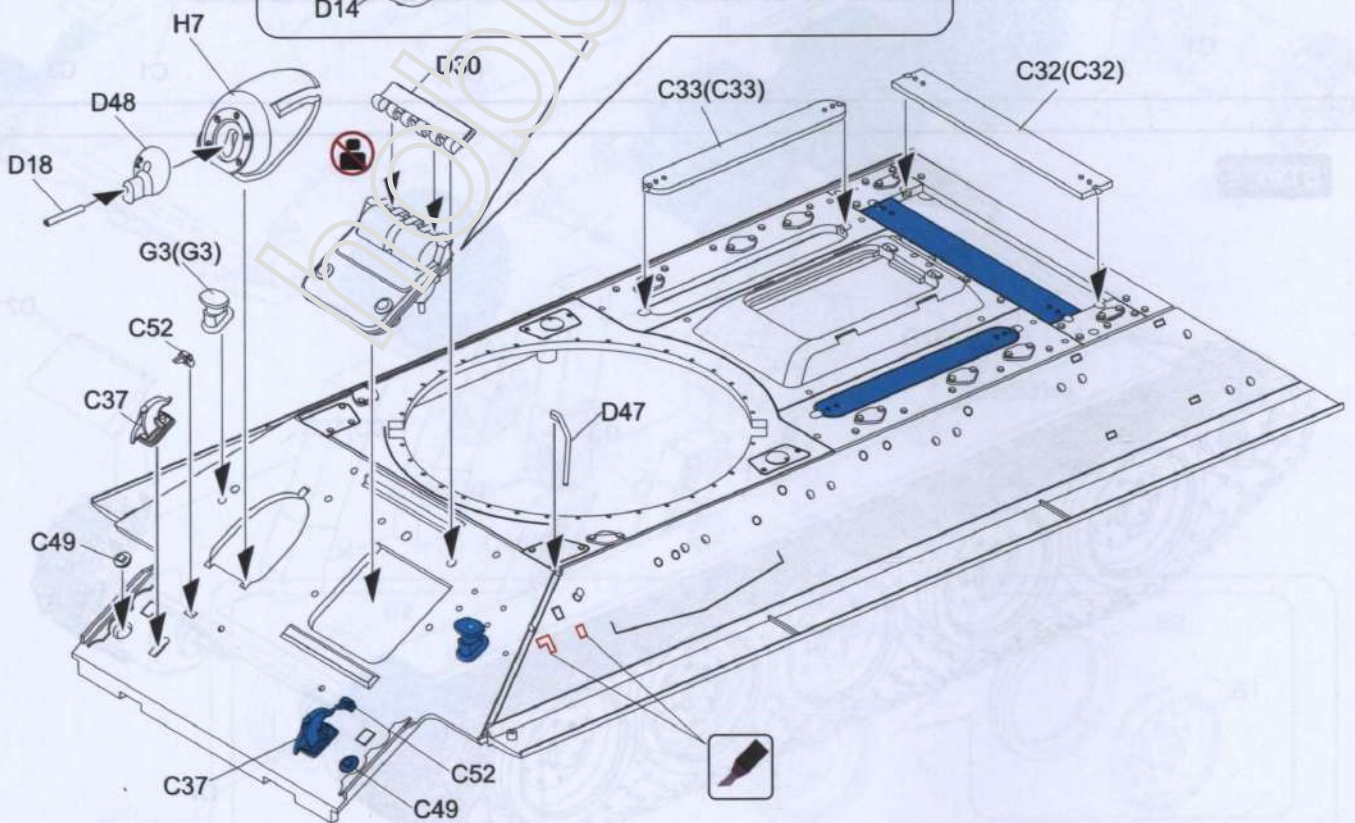
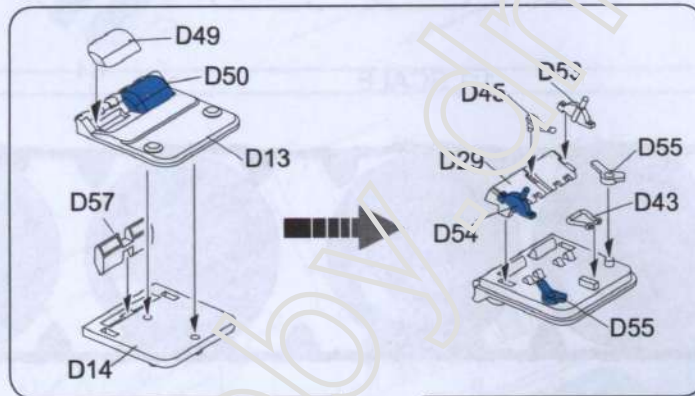
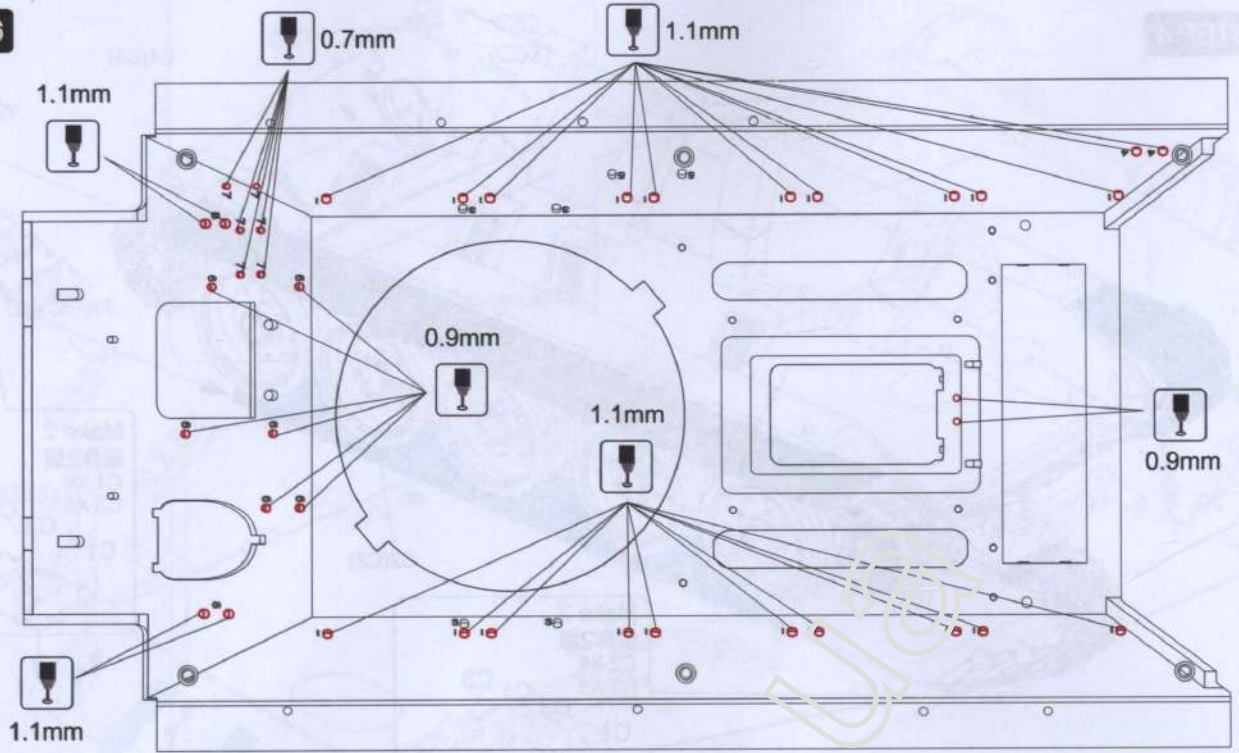
STEP 4



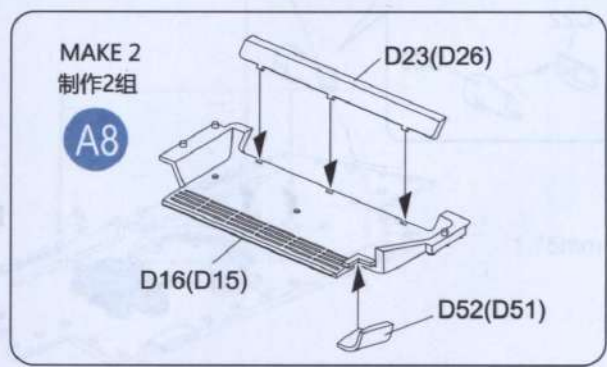
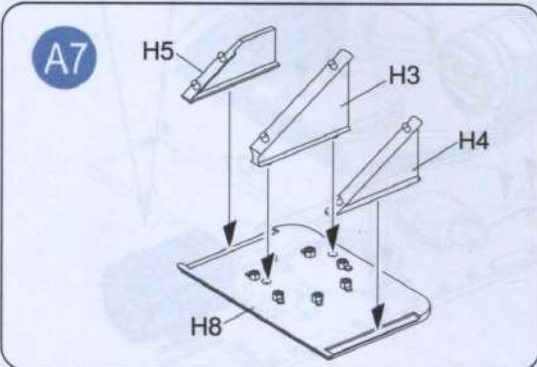
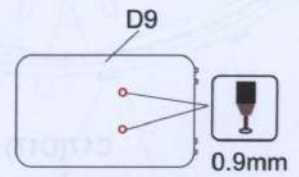
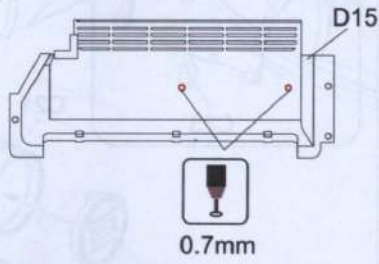
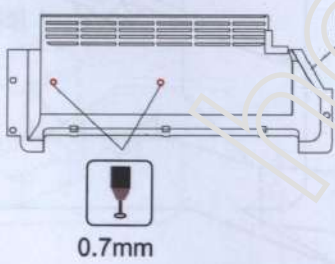
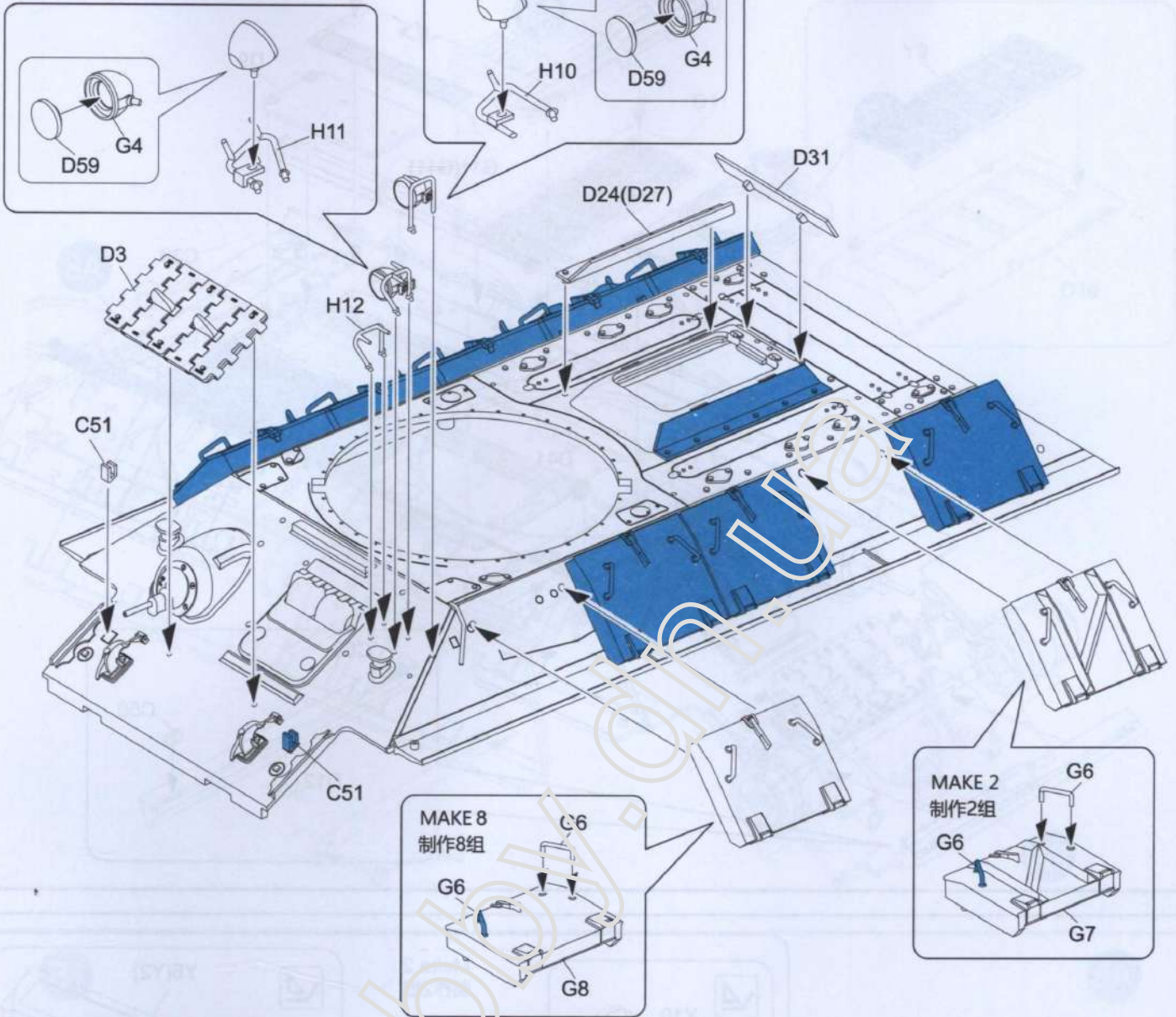
STEP 5



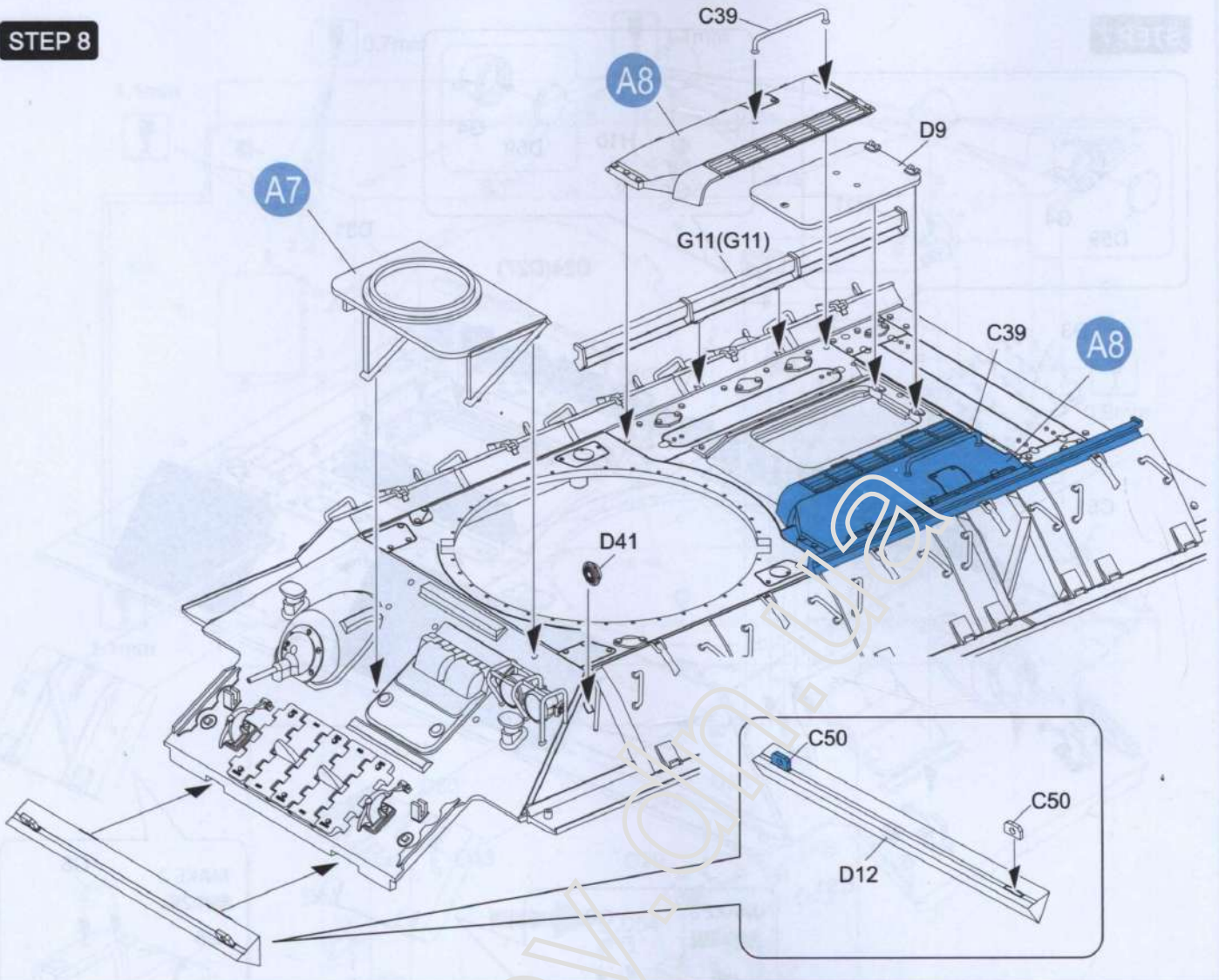
STEP 6



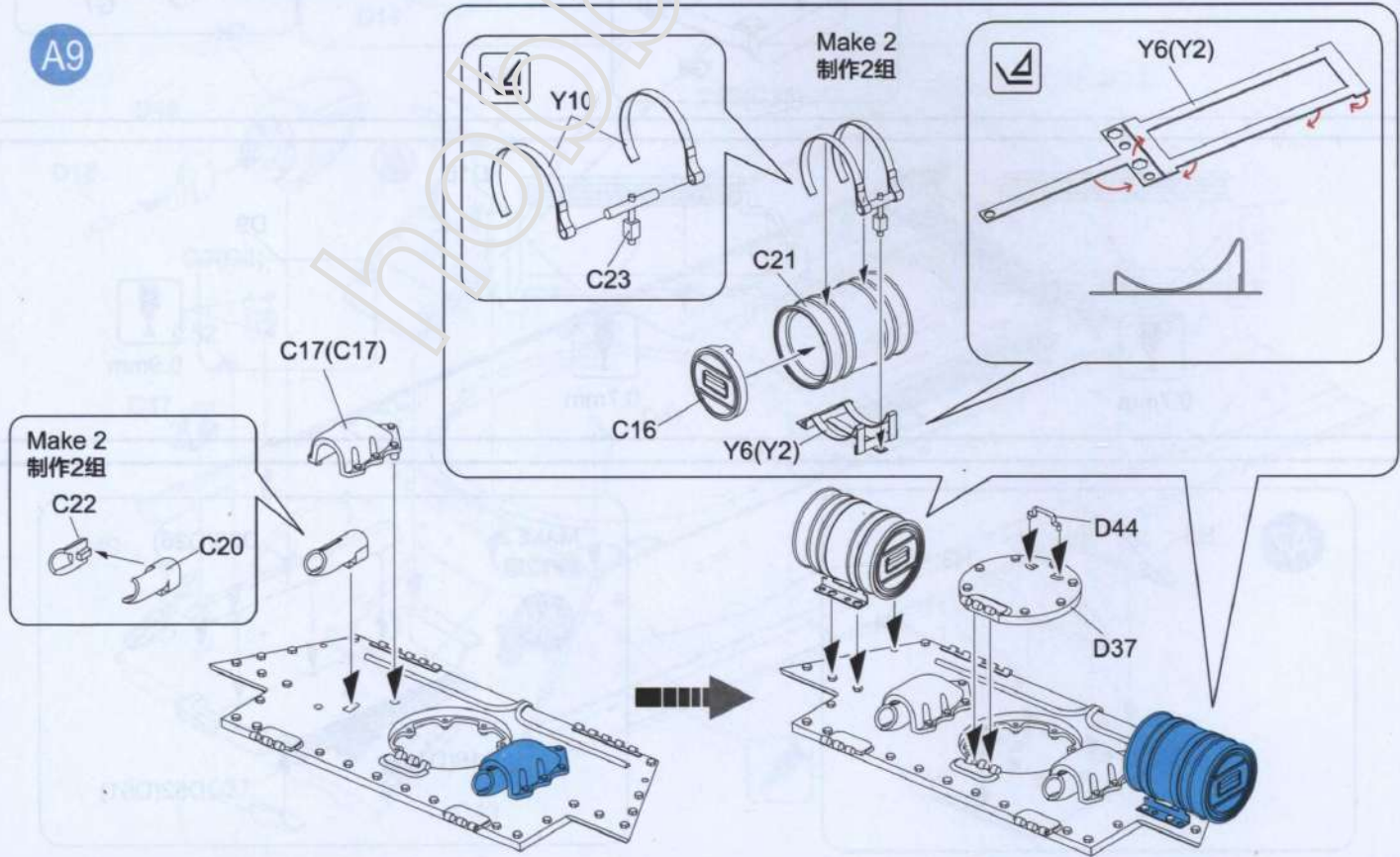
STEP 7



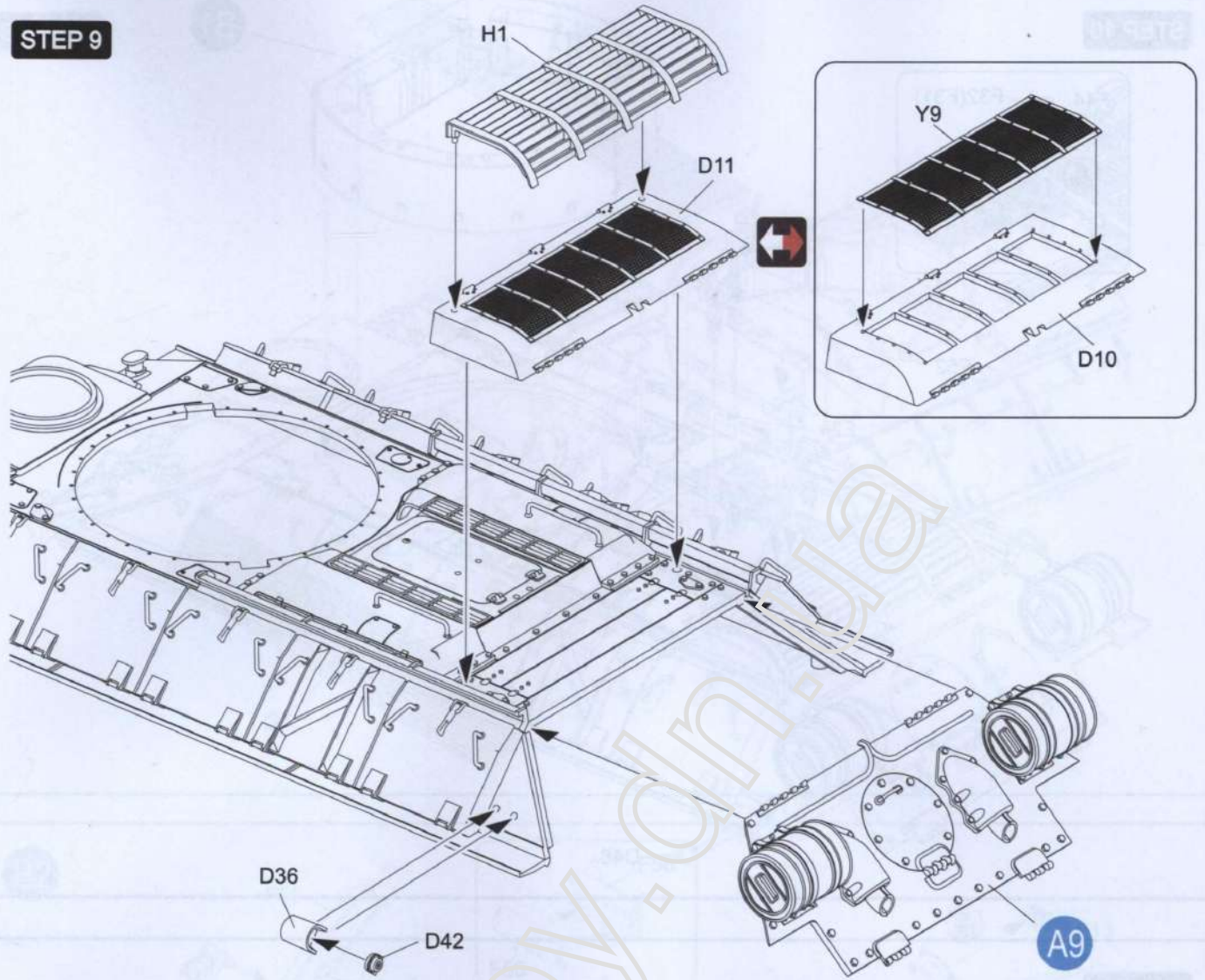
STEP 8



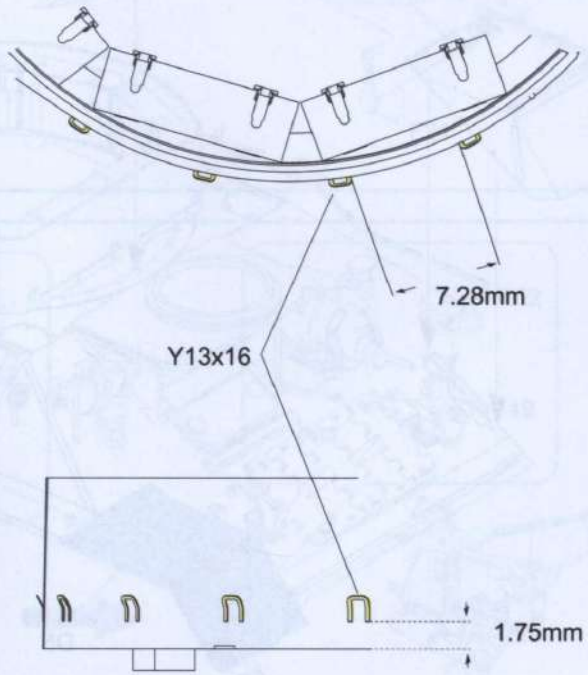
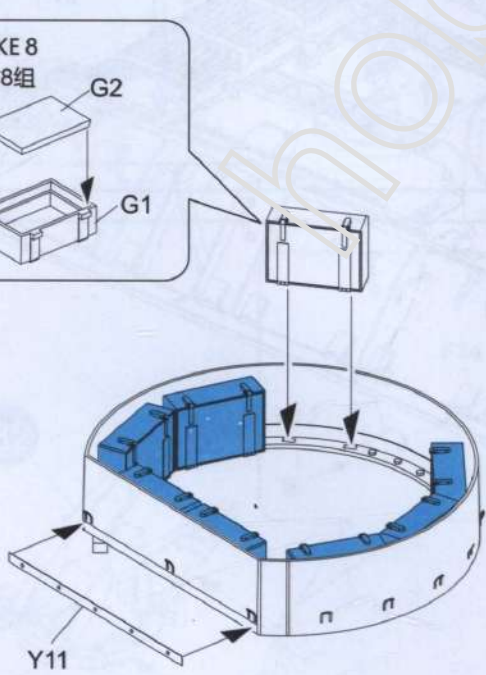
A9



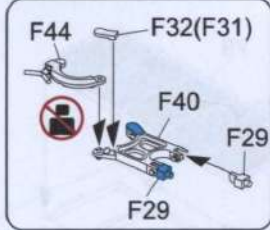
STEP 9



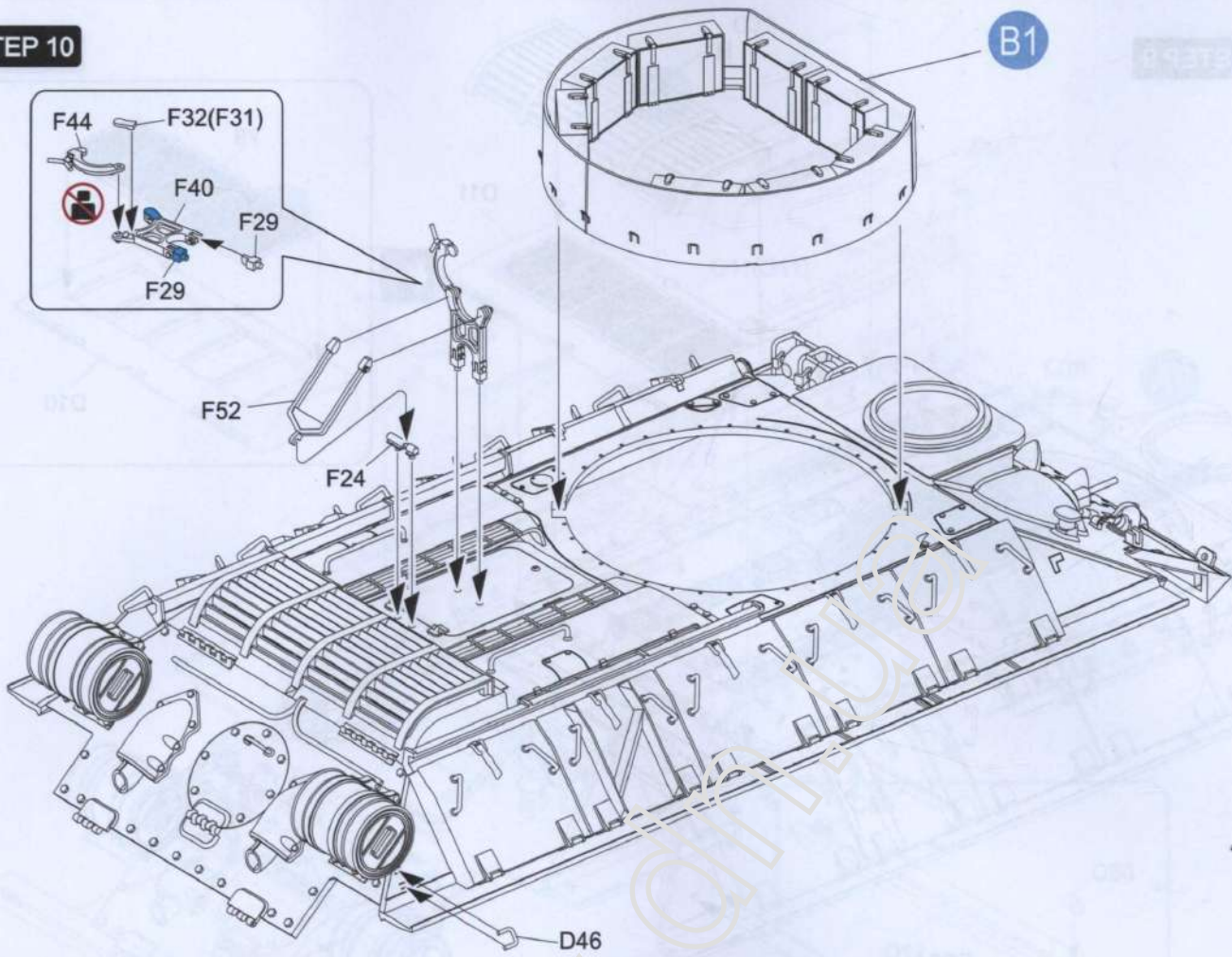
B1



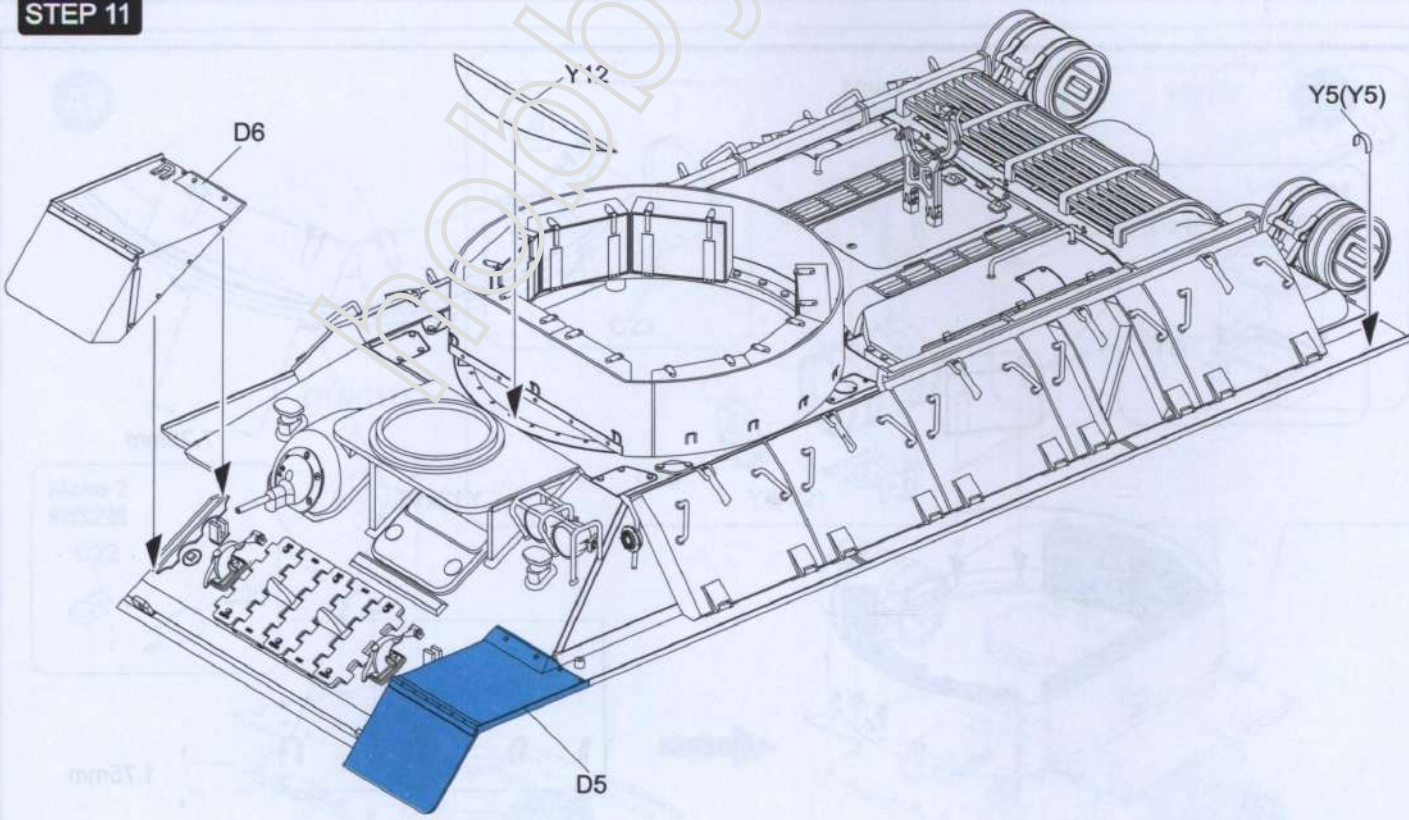
STEP 10



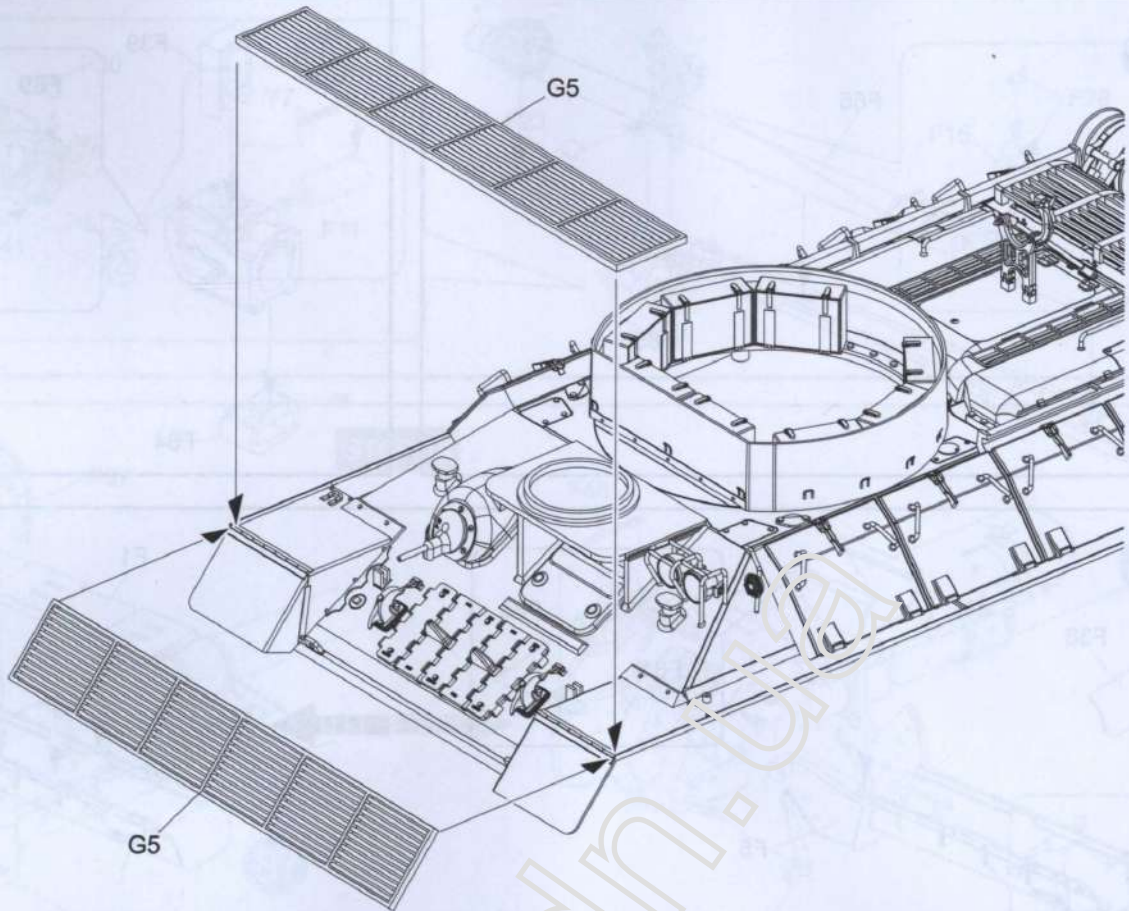
B1



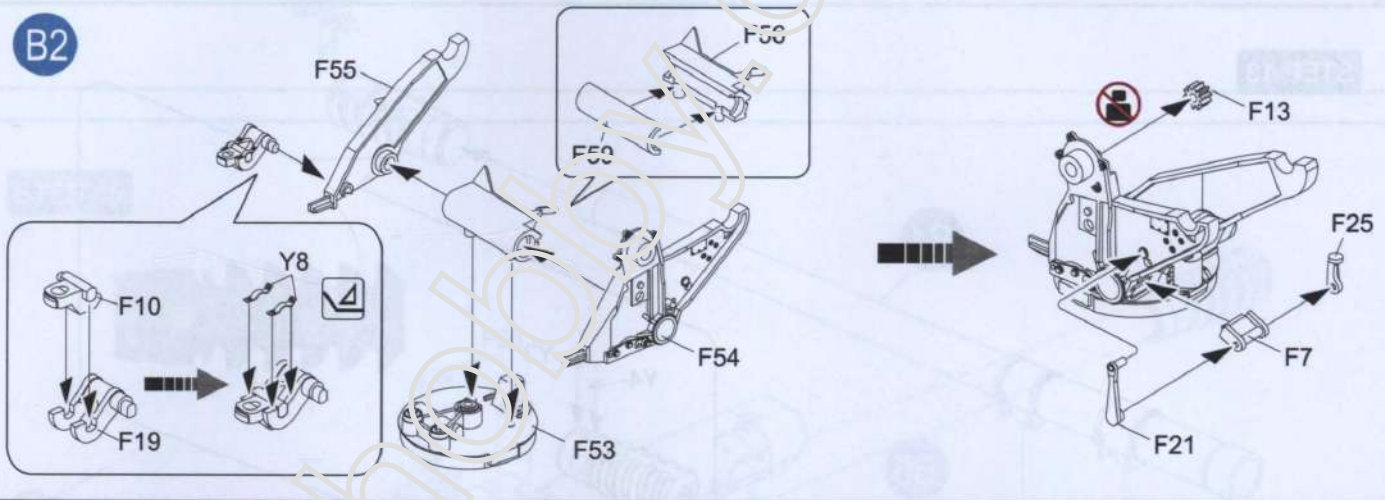
STEP 11



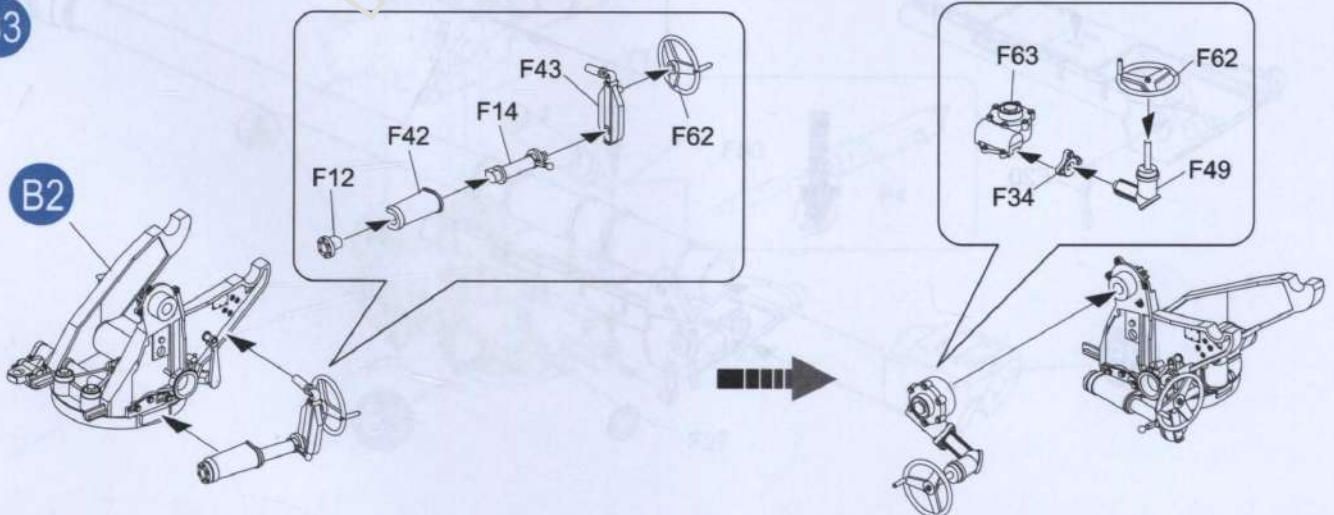
STEP 12

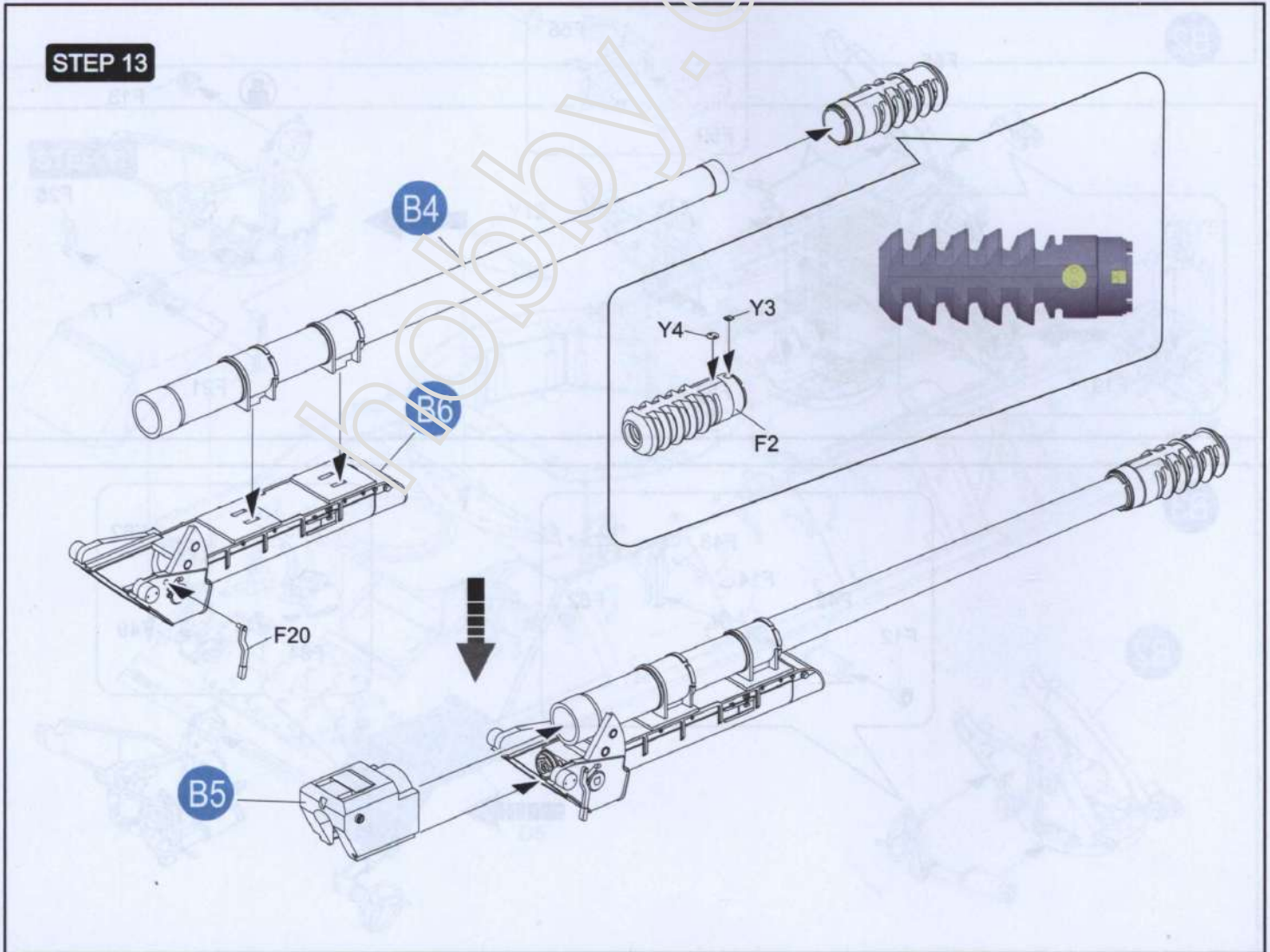
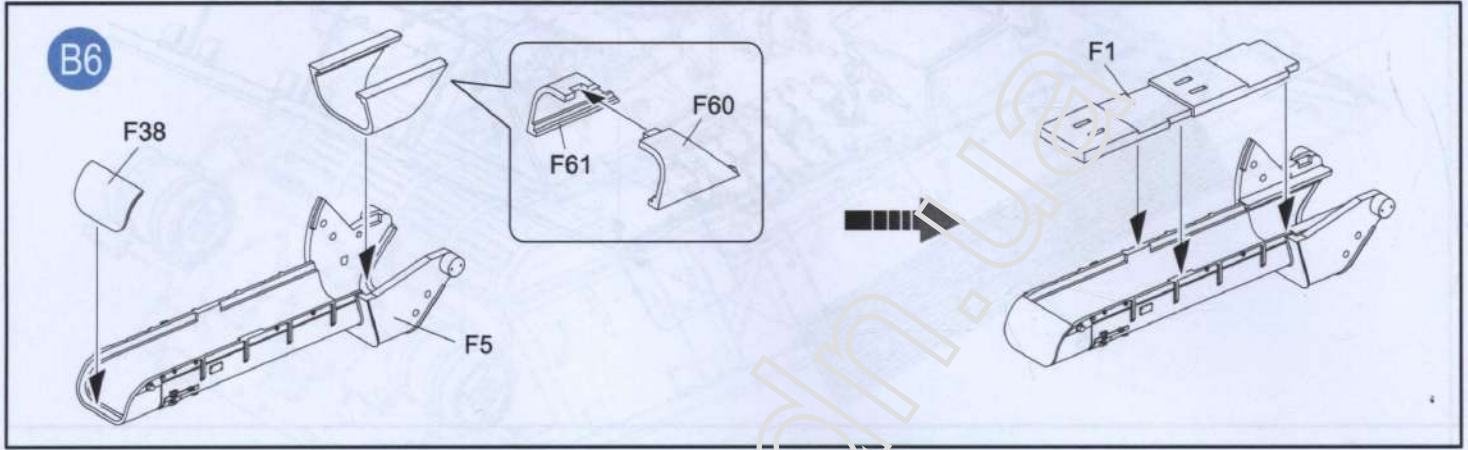
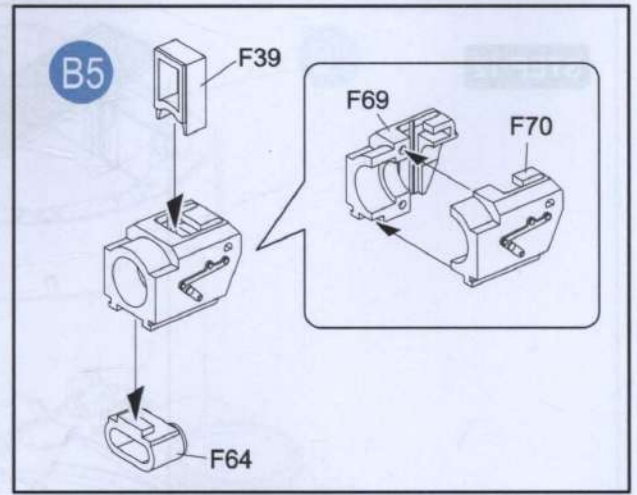
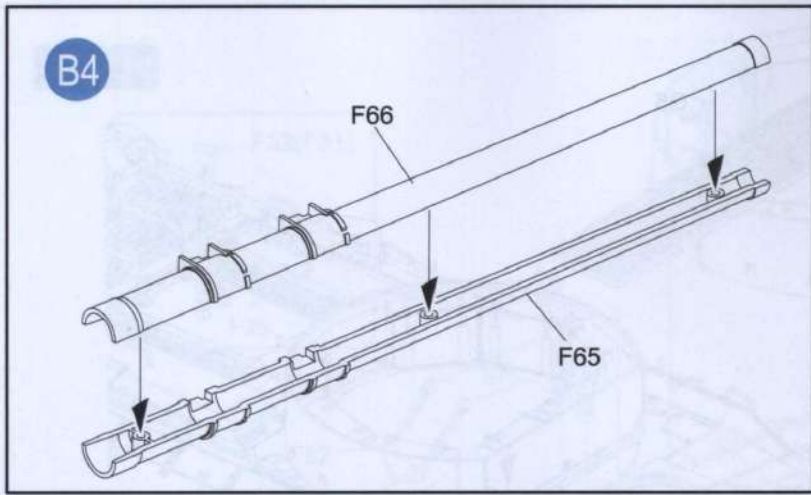


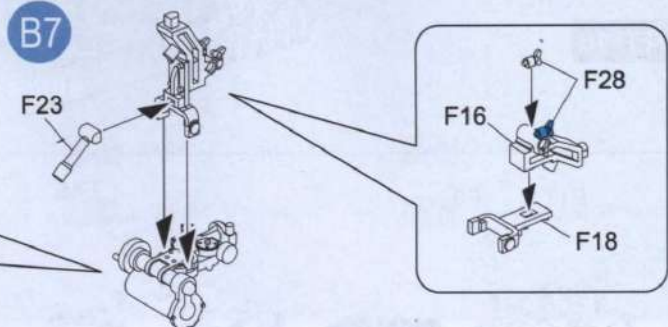
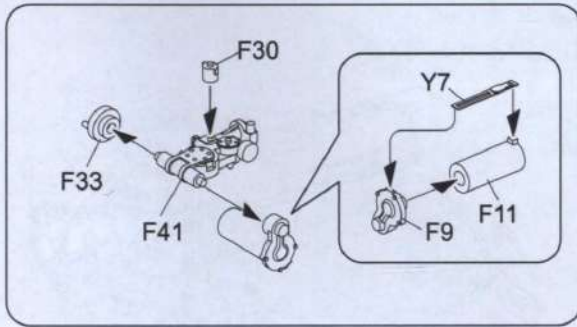
B2



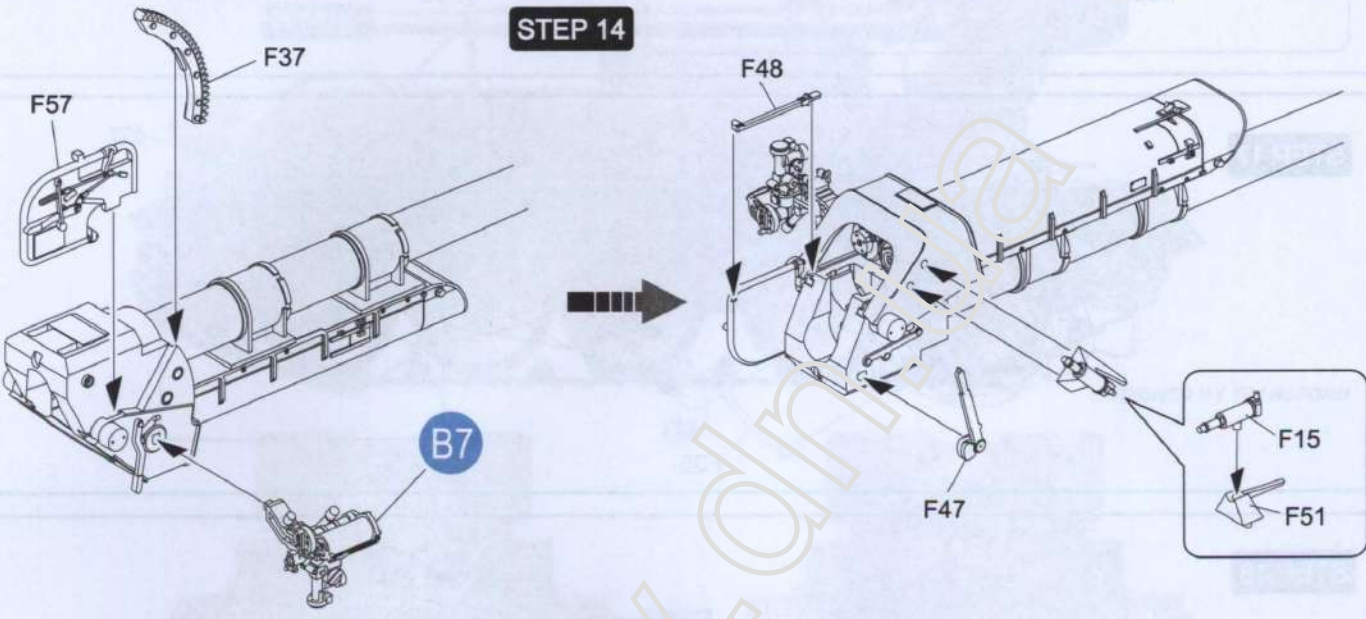
B3



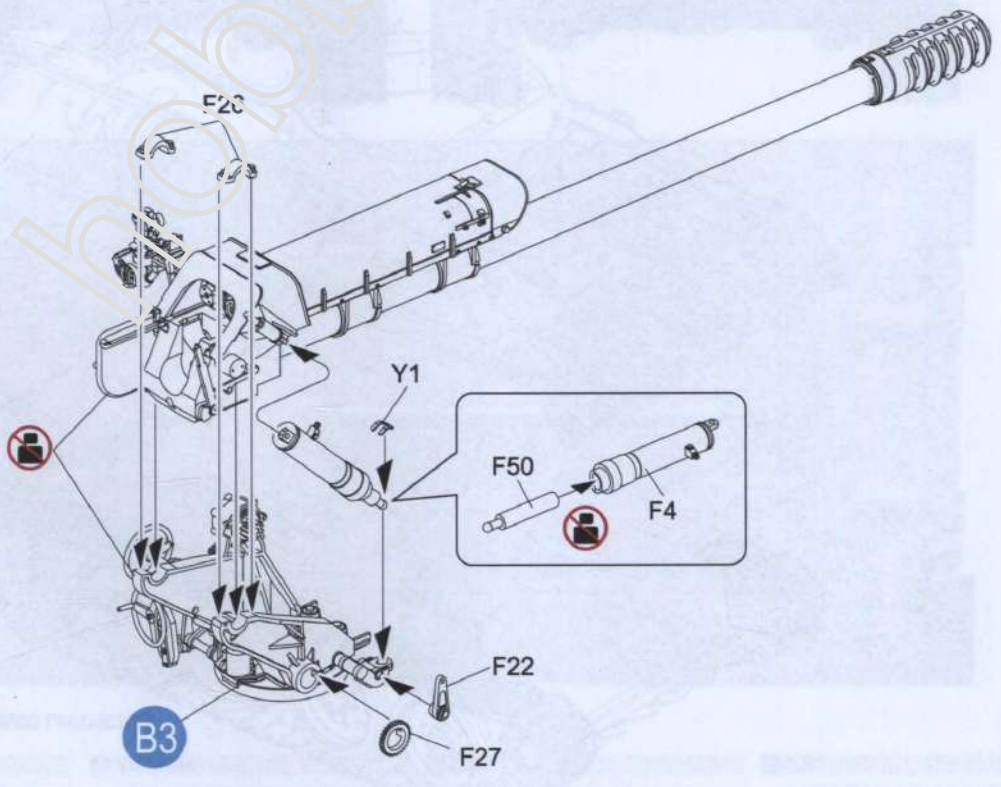




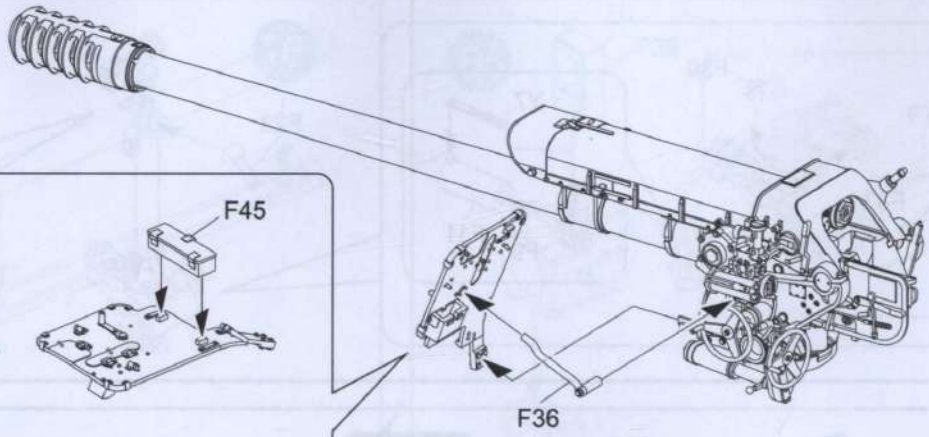
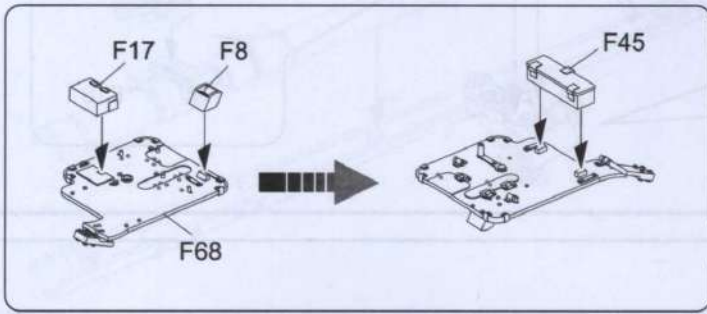
STEP 14



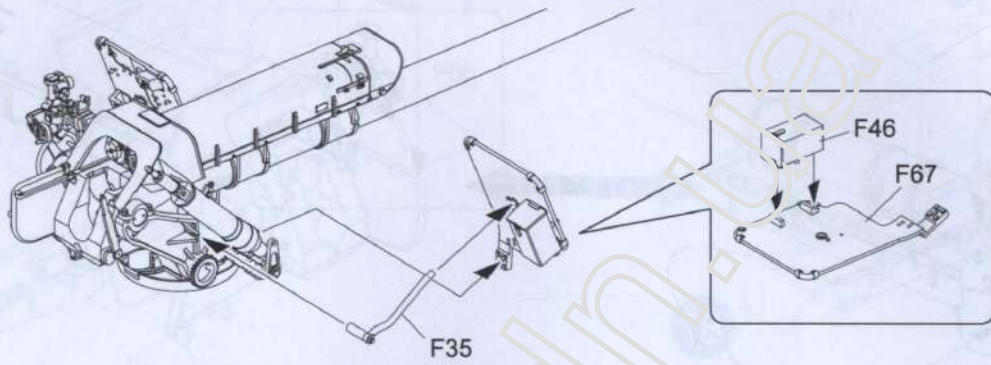
STEP 15



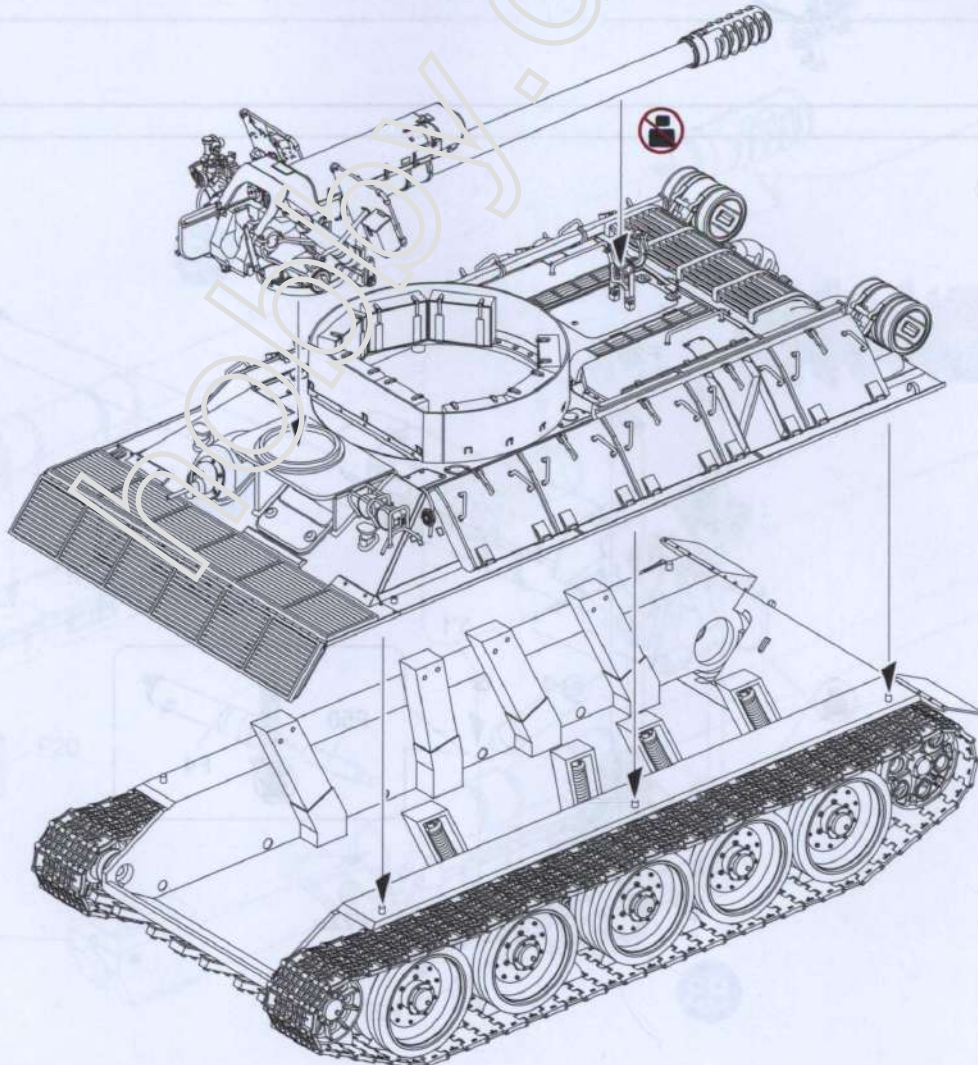
STEP 16



STEP 17



STEP 18



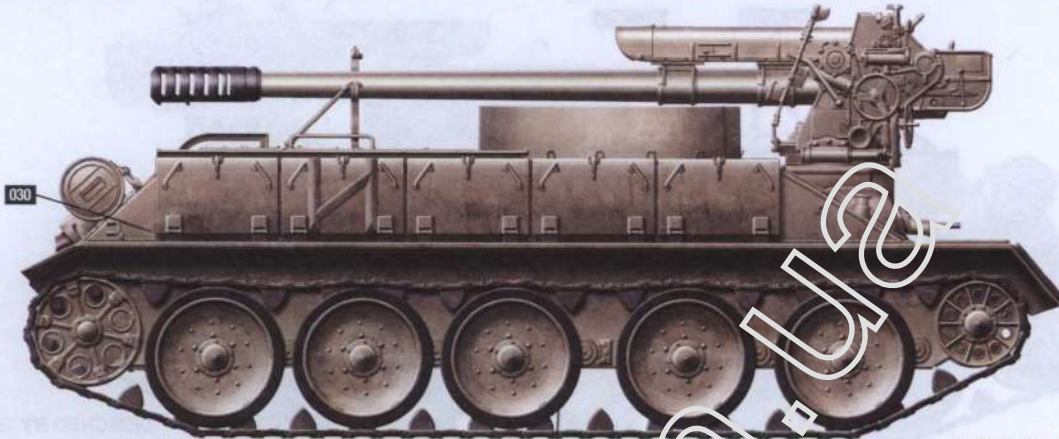


T-34/ D30 122MM

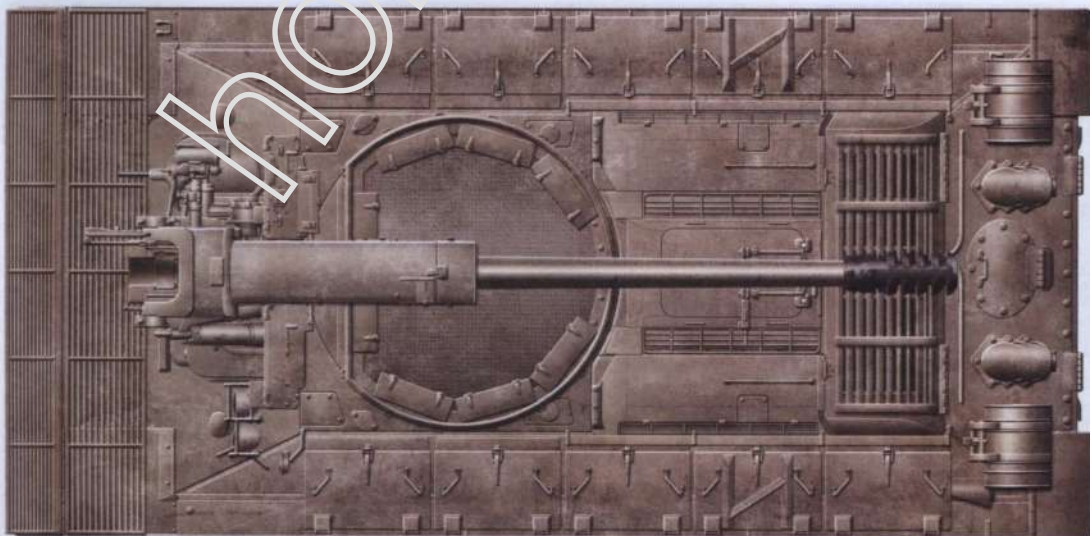
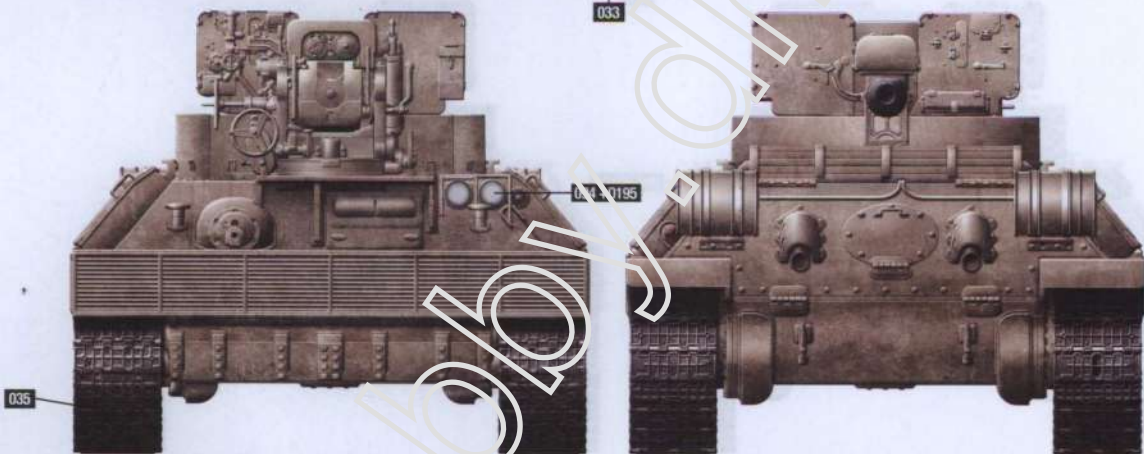
SYRIAN SELF-PROPELLED HOWITZER

Painting and Marking Guide

	A.MIG-0030 Sand Yellow		A.MIG-0033 Rubber & Tires		A.MIG-0035 Dark Tracks
	A.MIG-0042 Old Rust		A.MIG-0045 Gun Metal		A.MIG-0096 Crystal Periscope Green
	A.MIG-0094 Crystal Gels 50%				
	A.MIG-0195 Silver 50%				



DESIGNED BY TRANSFORM



WEATHERING STEPS WITH AMMO PRODUCTS


- | | | | |
|---|---|---|---|
| 1 GENERAL WASH
A.MIG-1007 US Modern Vehicles Wash | 3 STREAKING
A.MIG-1255 Streakingbrusher Grime | 5 DUST
A.MIG-3025 Syrian Ground
A.MIG-3018 Middle East Dust
A.MIG-3012 Sand | 6 RUST
A.MIG-1254 Streakingbrusher Rust |
| 2 FILTER
A.MIG-1503 Ochre For Light Sand | 5 TRACK WASH
A.MIG-1002 Tracks Wash | 7 GREASE & OIL
A.MIG-1408 Fresh Engine Oil | |

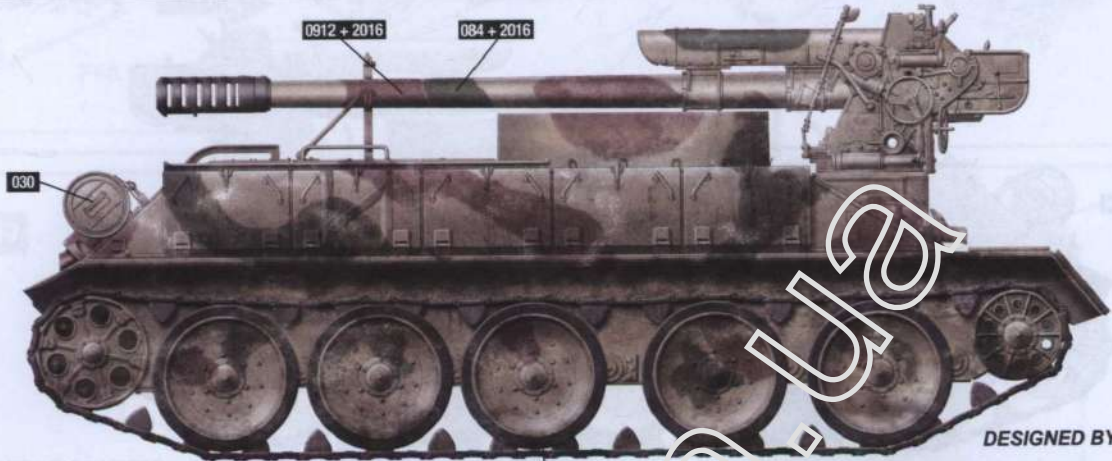


T-34/ D30 122MM

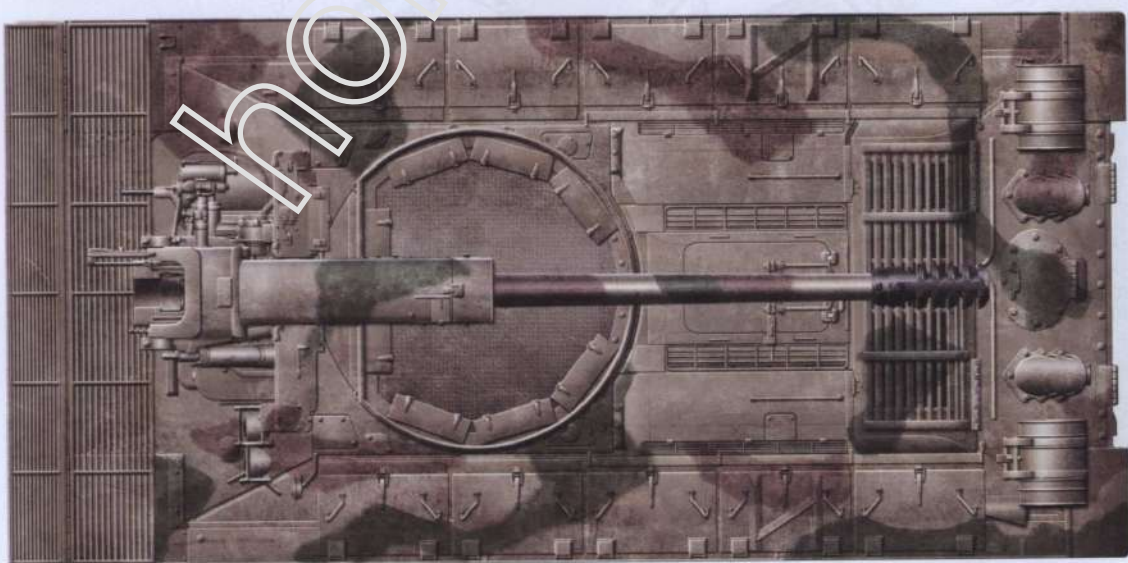
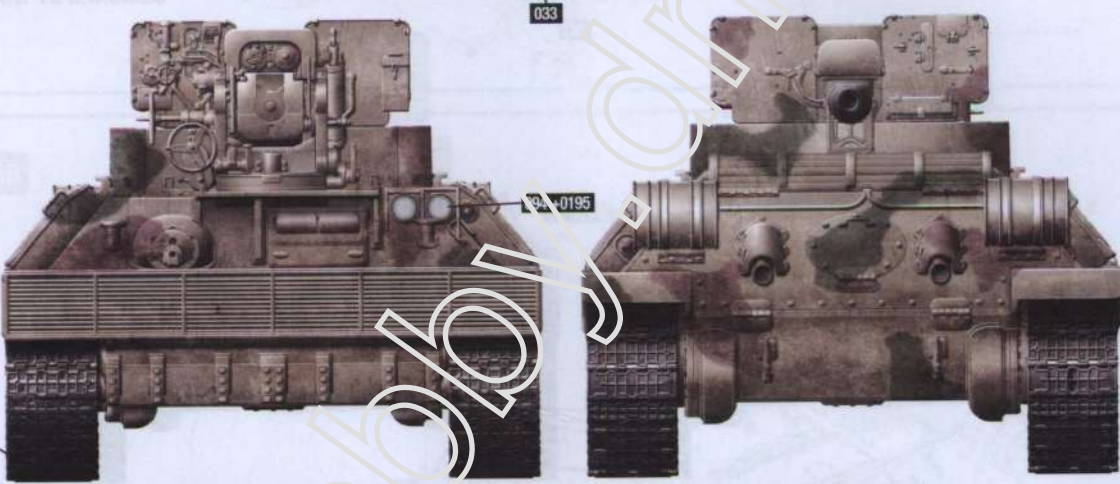
SYRIAN SELF-PROPELLED HOWITZER

Painting and Marking Guide

 A.MIG-0030 Sand Yellow	 A.MIG-0033 Rubber & Tires	 A.MIG-0035 Dark Tracks
 A.MIG-0042 Old Rust	 A.MIG-0045 Gun Metal	 A.MIG-0096 Crystal Periscope Green
 A.MIG-0912 Red Brown Shadow 50%	 A.MIG-0084 Russian Dark Base 50%	 A.MIG-0094 Crystal Glass 50%
 A.MIG-2016 Transparator 50%	 A.MIG-2016 Transparator 50%	 A.MIG-0195 Silver 50%



DESIGNED BY TRANSFORM



WEATHERING STEPS WITH AMMO PRODUCTS

- | | | | |
|---|---|---|--|
| 1 GENERAL WASH
A.MIG-1007 US Modern Vehicles Wash | 3 STREAKING
A.MIG-1255 Streakingbrusher Grime | 5 DUST
A.MIG-3025 Syrian Ground
A.MIG-3018 Middle East Dust
A.MIG-3012 Sand | 6 RUST
A.MIG-1254 Streakingbrusher Rust |
| 2 FILTER
A.MIG-1503 Ochre For Light Sand | 5 TRACK WASH
A.MIG-1002 Tracks Wash | | 7 GREASE & OIL
A.MIG-1408 Fresh Engine Oil |