

**5033**

MILITARY MINIATURE SERIES

**RFM**  
RYEFIELD MODEL

# Pz.Kpfw. IV Ausf. J Late Production

## Pz.Beob.Wg. IV Ausf. J w/workable track links

**2 in 1**

IV号戰車 J型 後期型/觀測戰車 w/連結組立可動式履帶 IV号坦克 J型 最后期型/炮兵观测车 含可动式履帶

### ASSEMBLY ICONS


 OPTIONAL  
选择

 CEMENT  
膠水

 DO NOT CEMENT  
不使用膠水

 INSTANT CEMENT  
瞬間接著劑

 BEND  
彎折

 MAKE 2  
製作2組

 OPEN HOLE  
鑿孔

 REMOVE  
切除

 BE CAREFUL  
注意

 APPLY DECAL  
貼上水貼紙

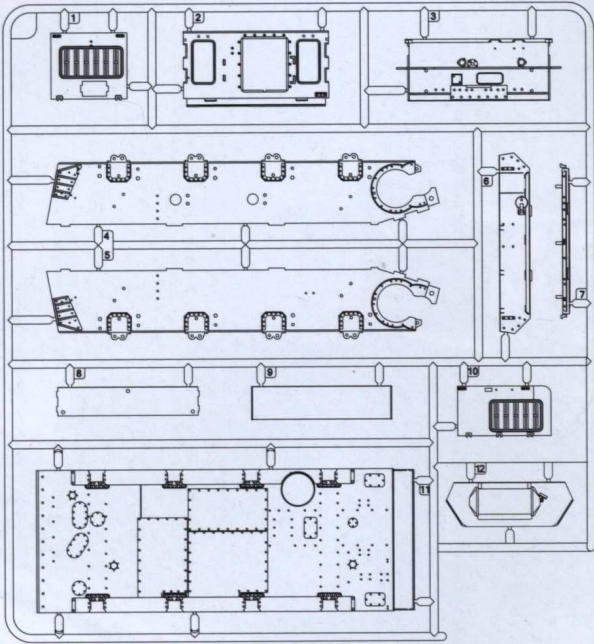
### CAUTION!

Read carefully and fully understand the instructions before commencing assembly. Supervising adult should also read the instructions if a child assembles the model. When you used glue or paint, do not use near a naked flame, and use in a well-ventilated room. When assembling this kit, tools including knives are used. Extra care should be taken to avoid personal injury. Read and follow the instructions supplied with paints and/ or cement. Use plastic cement and paints only. Keep out of reach of small children. Children must not be allowed to suck any part, or pull vinyl bag over the head.

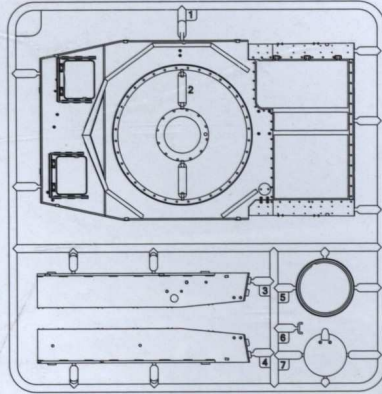
在裝配前仔細閱讀說明並完全理解。小孩裝配時需成人看護且需仔細閱讀說明。使用膠水和油漆時，應遠離火源並打開窗戶保持空氣流通。製作時請格外注意工具刀和零件的鋒利尖銳部分，避免對身體造成傷害。在使用膠水和油漆前仔細閱讀注意事項，按照說明正確使用膠水和油漆。請將本品放在兒童接觸不到的地方，套件中的塑膠包裝袋會對兒童造成窒息的危險。

PARTS · 部品图

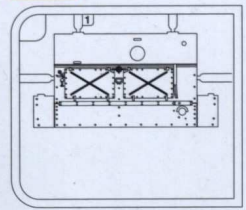
A x1



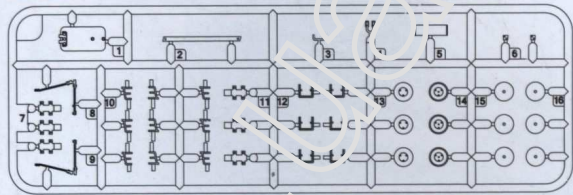
B x1



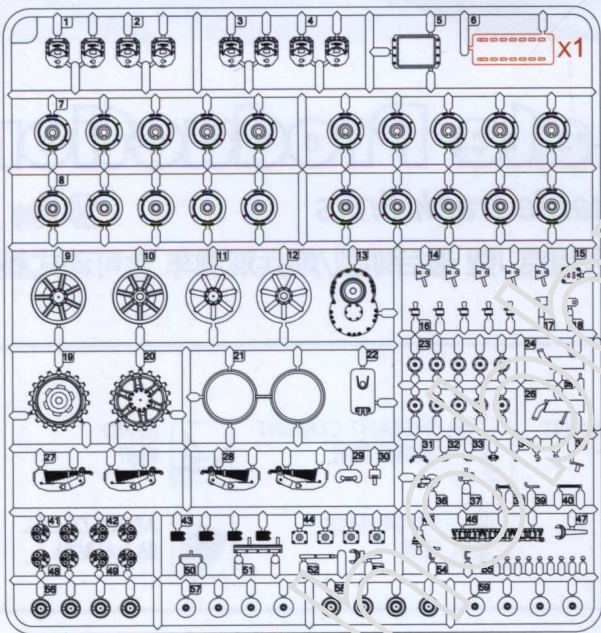
N x1



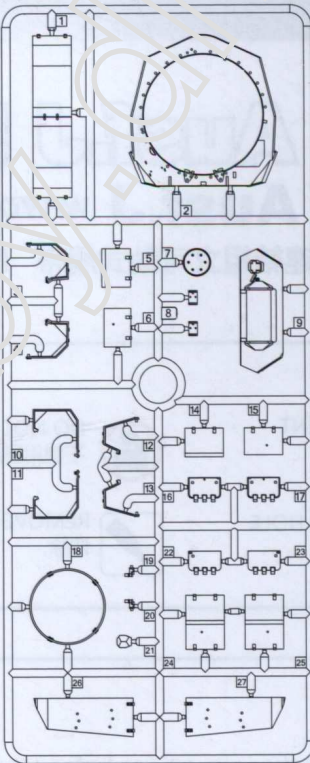
D x2



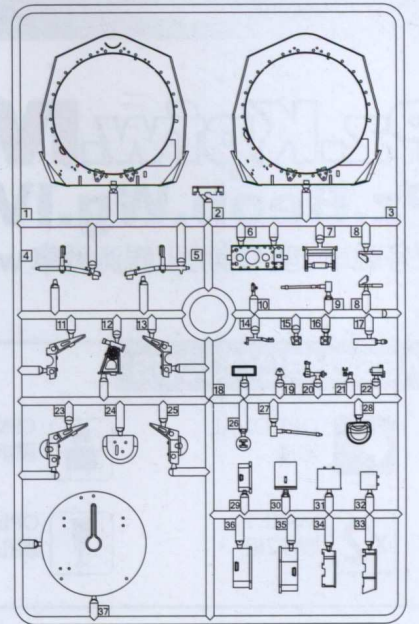
C x2



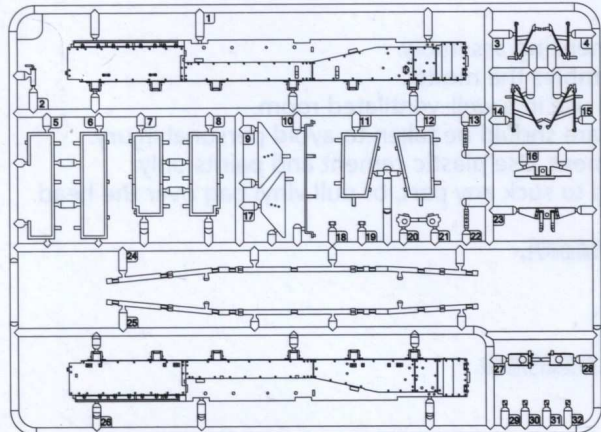
E x1



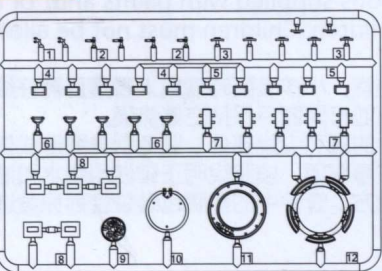
F x1



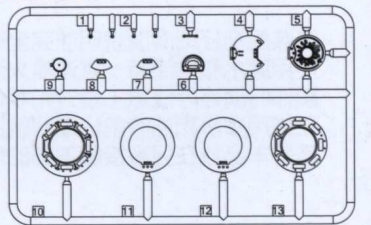
G x1



J1 x1

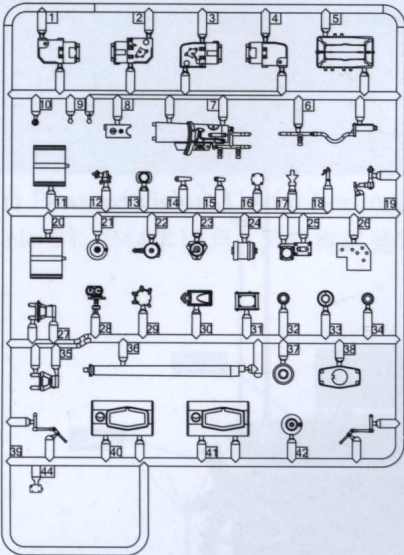


J2 x1

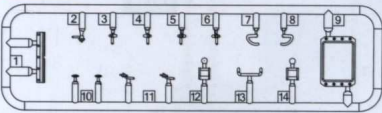


**PARTS · 部品图**

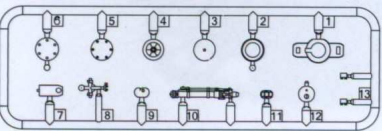
**H x1**



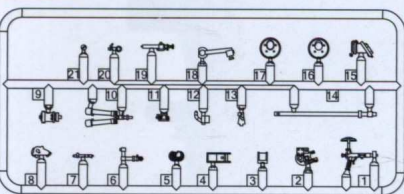
**M x1**



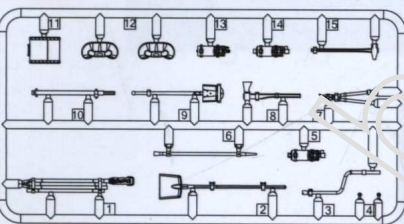
**P x1**



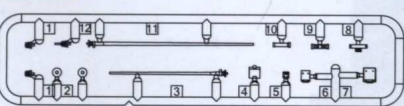
**S x1**



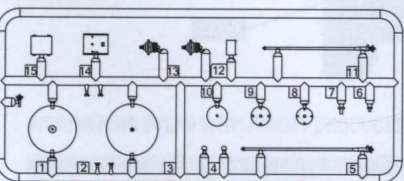
**T x1**



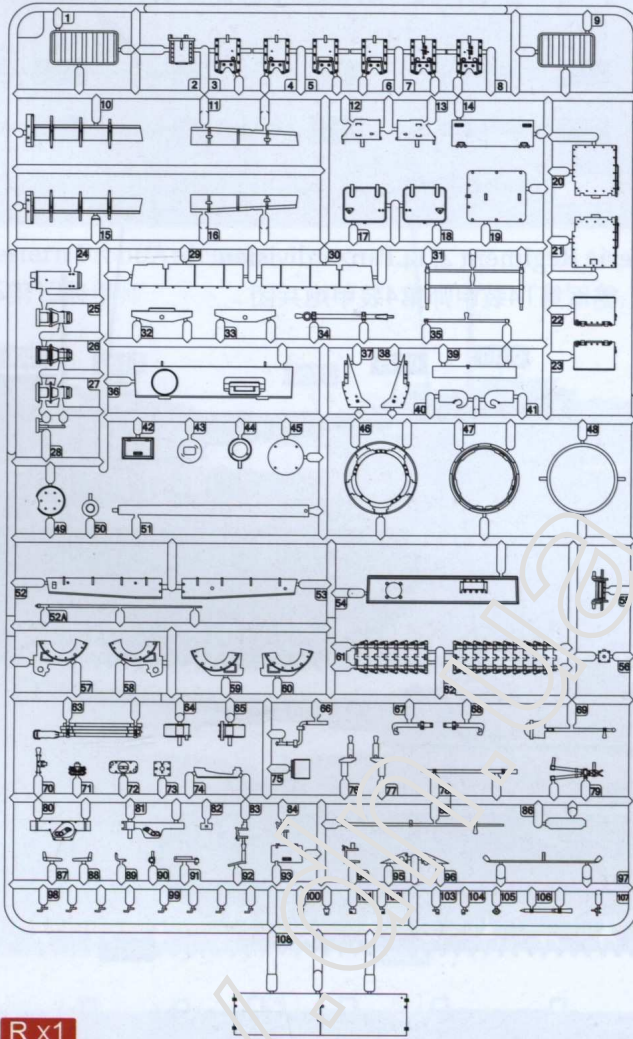
**U1 x1**



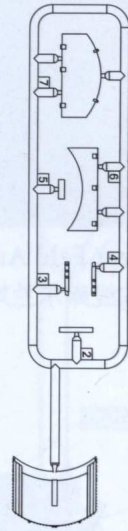
**U x1**



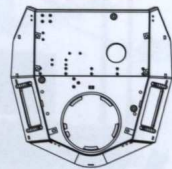
**K x1**



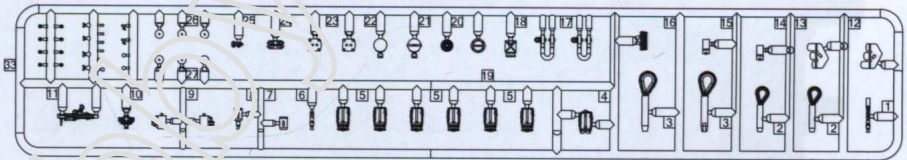
**J4 x1**



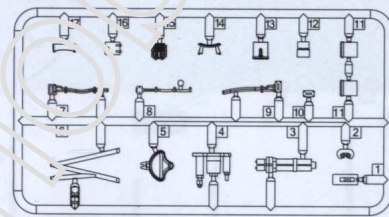
**Turret**



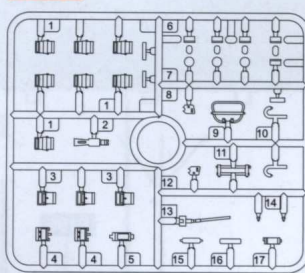
**R x1**



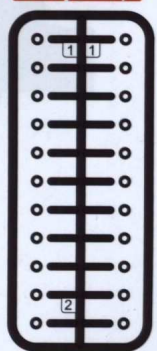
**V x1**



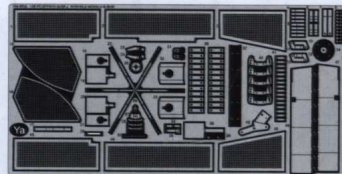
**W x1**



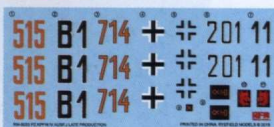
**Poly Cap**



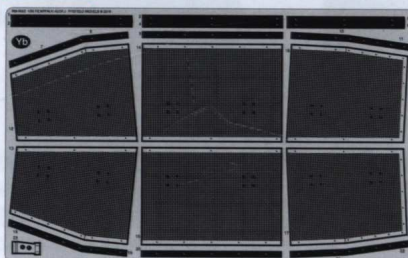
**Ya x1**



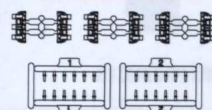
**Decal**



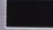

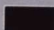


**Yb x1**



**Tracks x 204**

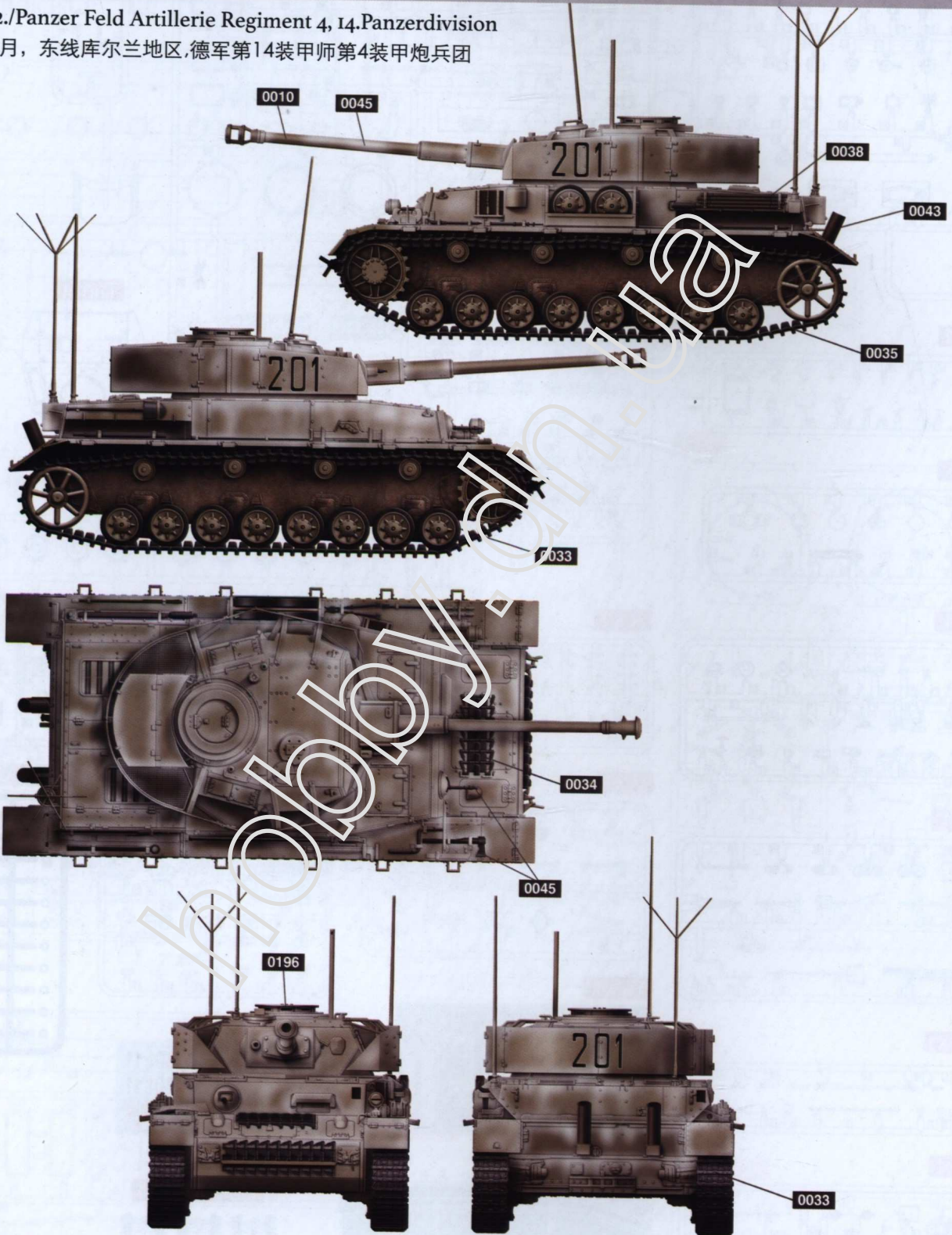


# PAINING AND MARKING GUIDE

 A.MIG-0033 Rubber & Tires	 A.MIG-0034 Rust Tracks	 A.MIG-0035 Dark Tracks	 A.MIG-0038 Light Wood
 A.MIG-0045 Gun Metal	 A.MIG-0043 Shadow Rust	 A.MIG-0096 Crystal Periscope Green	 A.MIG-0010 Dunkelgelb Mid War
 A.MIG-0045 Washable White Camo			

No.201, 2./Panzer Feld Artillerie Regiment 4, 14.Panzerdivision

1945年2月, 东线库尔兰地区, 德军第14装甲师第4装甲炮兵团



## WEATHERING STEPS WITH AMMO PRODUCTS

- |  |  |   |   |
|--|--|---|---|
| <b>1 GENERAL WASH</b><br>A.MIG-1000 Brown Wash for German Yellow | <b>3 STREAKING</b><br>A.MIG-1255 Streakingbrusher Winter Grime | <b>5 TRACK WASH</b><br>A.MIG-1002 Tracks Wash | <b>7 MUD &amp; SPLASHES</b><br>A.MIG-1704 Heavy Earth A.MIG-1754 Damp Earth     |
| <b>2 FILTER</b><br>A.MIG-1505 Grey for Yellow Sand               | <b>4 RUST</b><br>A.MIG-3510 Rust                               | <b>6 DUST</b><br>A.MIG-3007 Dark Earth        | <b>6 GREASE &amp; OIL</b><br>A.MIG-1408 Fresh Engine Oil A.MIG-1409 Fuel Stains |

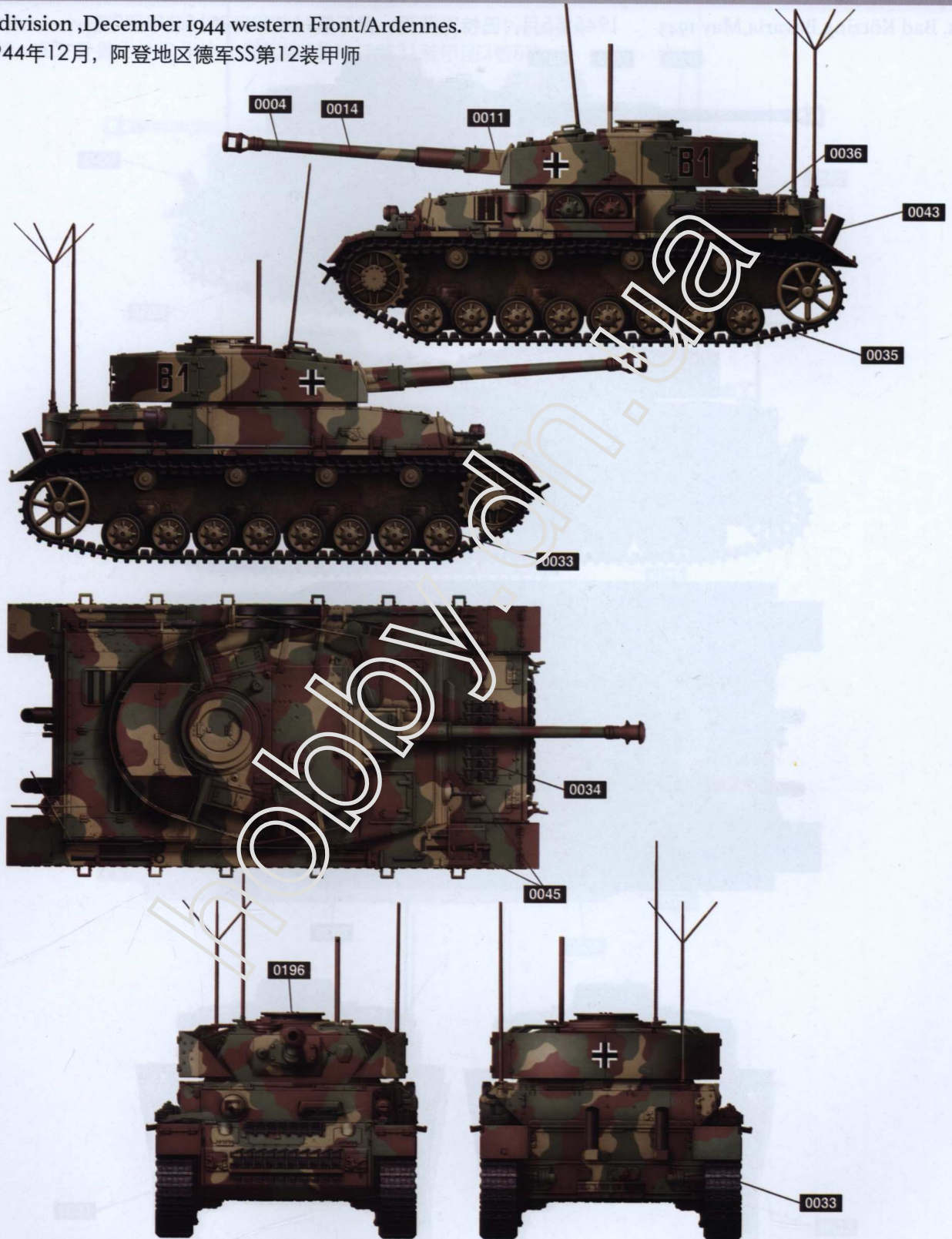


# PAINTING AND MARKING GUIDE

- A.MIG-0033 Rubber & Tires
- A.MIG-0034 Rust Tracks
- A.MIG-0035 Dark Tracks
- A.MIG-0036 Old Wood
- A.MIG-0045 Gun Metal
- A.MIG-0043 Shadow Rust
- A.MIG-0096 Crystal Periscope Green
- A.MIG-0011 Dunkelgelb AUS '44 DG I
- A.MIG-0004 B Resedagrün
- A.MIG-0014 Rotbraun

12.Panzerdivision ,December 1944 western Front/Ardennes.

No.B1,1944年12月,阿登地区德军SS第12装甲师



## WEATHERING STEPS WITH AMMO PRODUCTS

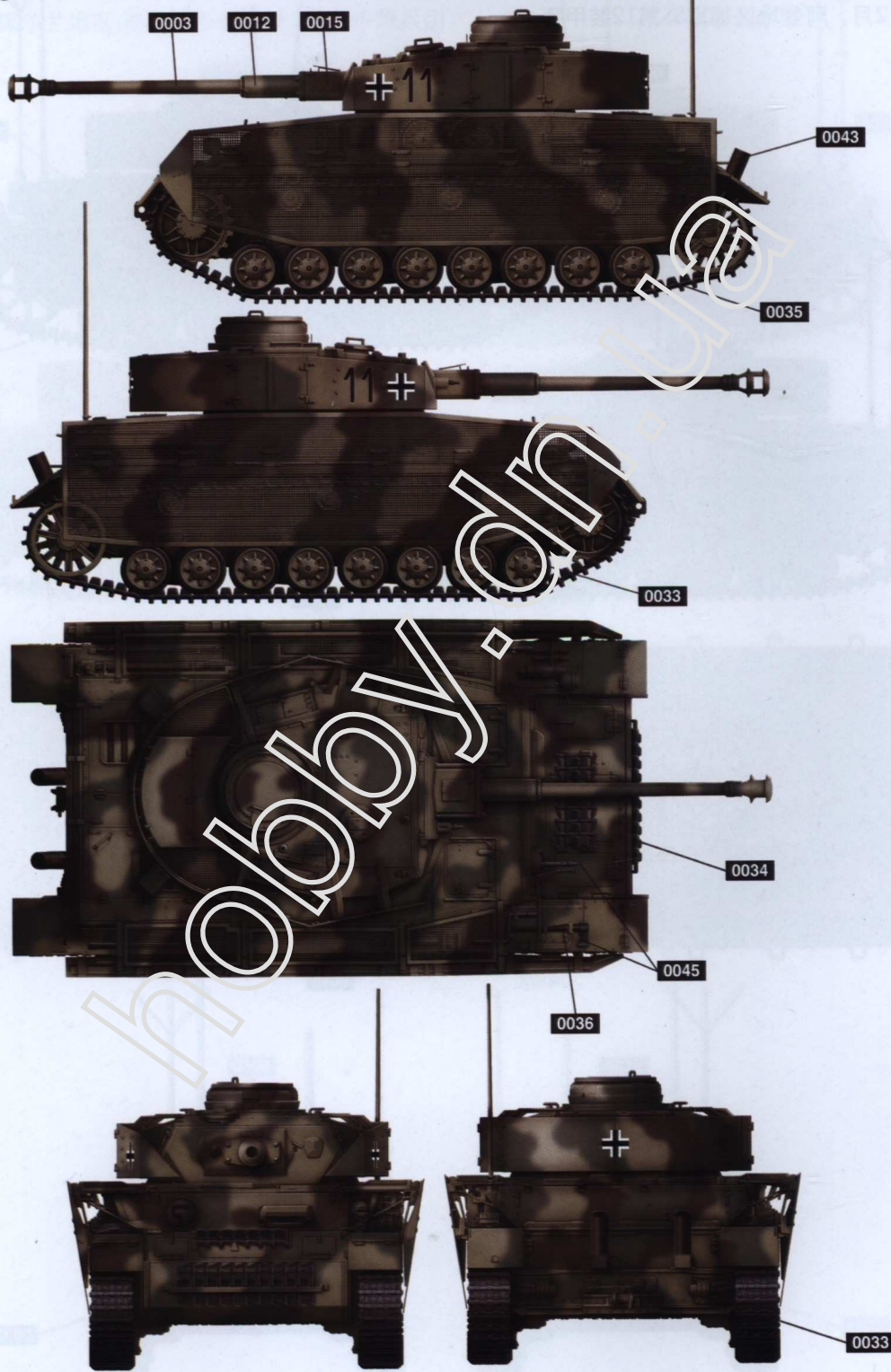
- |   |   |   |  |
|---|---|---|--|
| <b>1 GENERAL WASH</b><br>A.MIG-1008 Dark Wash     | <b>3 STREAKING</b><br>A.MIG-1206 Dark Streaking Grime | <b>5 TRACK WASH</b><br>A.MIG-1002 Tracks Wash | <b>7 MUD &amp; SPLASHES</b><br>A.MIG-1704 Heavy Earth    A.MIG-1753 Turned Dirt    |
| <b>2 FILTER</b><br>A.MIG-1510 Tan for 3 Tone Camo | <b>4 RUST</b><br>A.MIG-1254 Streakingbrusher Rust     | <b>6 DUST</b><br>A.MIG-3004 Europe Earth      | <b>8 GREASE &amp; OIL</b><br>A.MIG-1408 Fresh Engine Oil    A.MIG-1409 Fuel Stains |



# PAINTING AND MARKING GUIDE

- A.MIG-0033 Rubber & Tires
- A.MIG-0034 Rust Tracks
- A.MIG-0035 Dark Tracks
- A.MIG-0036 Old Wood
- A.MIG-0045 Gun Metal
- A.MIG-0043 Shadow Rust
- A.MIG-0011 Dunkelgelb Aus '44
- A.MIG-0003 RAL 6011 Resedagrün
- A.MIG-0012 Dunkelgelb Aus '44 DG III
- A.MIG-0015 Schokobraun

No.II, Bad Kötzing, Bavaria, May 1945      1945年5月, 帕特克茨廷, 德军第11装甲师第15装甲团2营



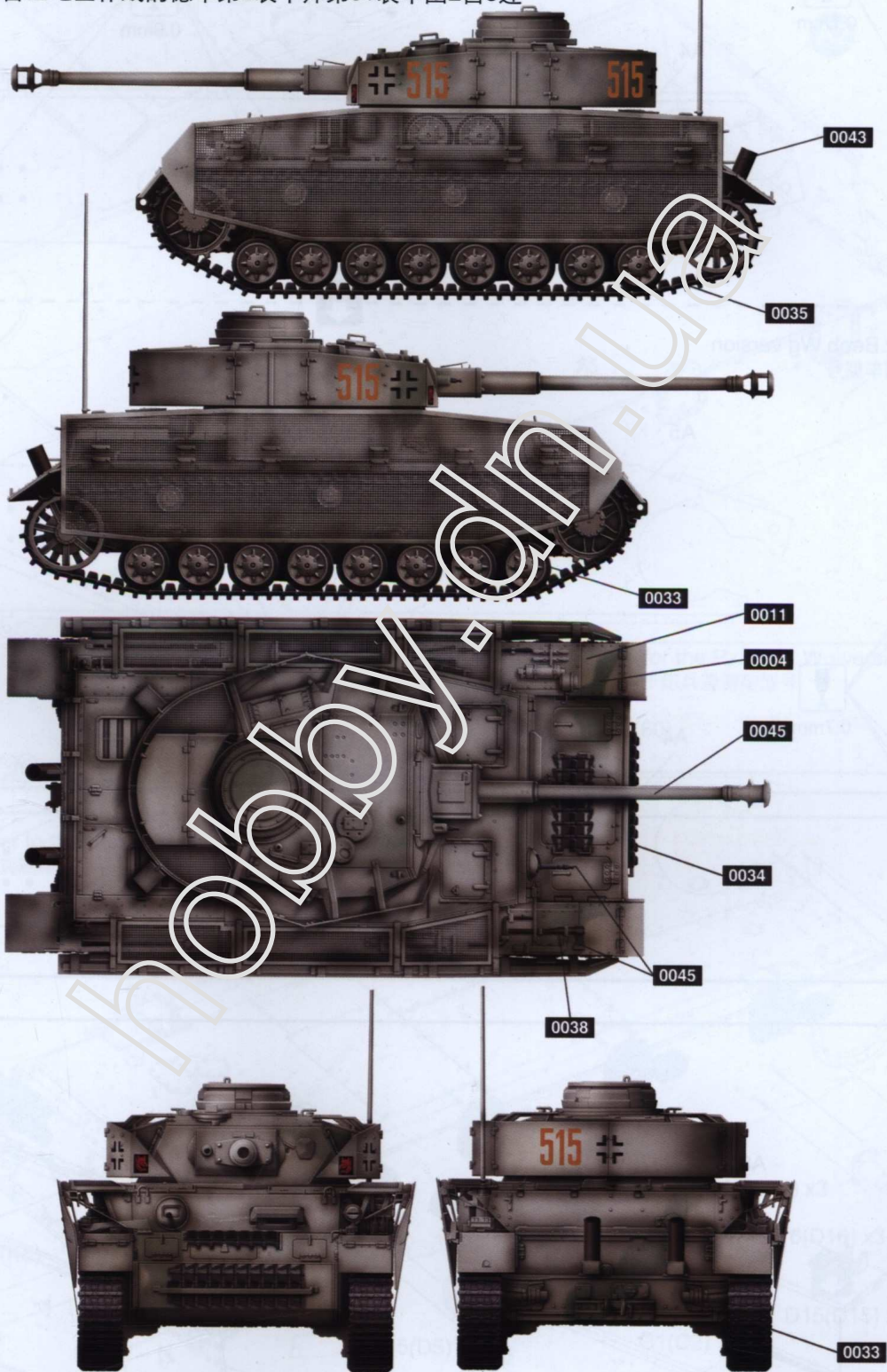
## WEATHERING STEPS WITH AMMO PRODUCTS

- |  |   |   |  |
|--|---|---|--|
| <b>1 GENERAL WASH</b><br>A.MIG-1000 Brown Wash for Dark Yellow | <b>3 STREAKING</b><br>A.MIG-1253 Streakingbrusher Grime | <b>5 TRACK WASH</b><br>A.MIG-1002 Tracks Wash | <b>7 MUD &amp; SPLASHES</b><br>A.MIG-1703 Moist Ground    A.MIG-1752 Loose Ground  |
| <b>2 FILTER</b><br>A.MIG-1510 Tan for 3 Tone Camo              | <b>4 RUST</b><br>A.MIG-1204 Streaking Rust Effects      | <b>6 DUST</b><br>A.MIG-3013 Rubble            | <b>8 GREASE &amp; OIL</b><br>A.MIG-1408 Fresh Engine Oil    A.MIG-1409 Fuel Stains |

# PAINTING AND MARKING GUIDE

 A.MIG-0033 Rubber & Tires	 A.MIG-0034 Rust Tracks	 A.MIG-0035 Dark Tracks	 A.MIG-0038 Light Wood
 A.MIG-0045 Gun Metal	 A.MIG-0043 Shadow Rust	 A.MIG-0011 Dunkelgelb Aus '44	 A.MIG-0004 RAL 6011 B Resedagrün
 A.MIG-0045 Washable White Camo			

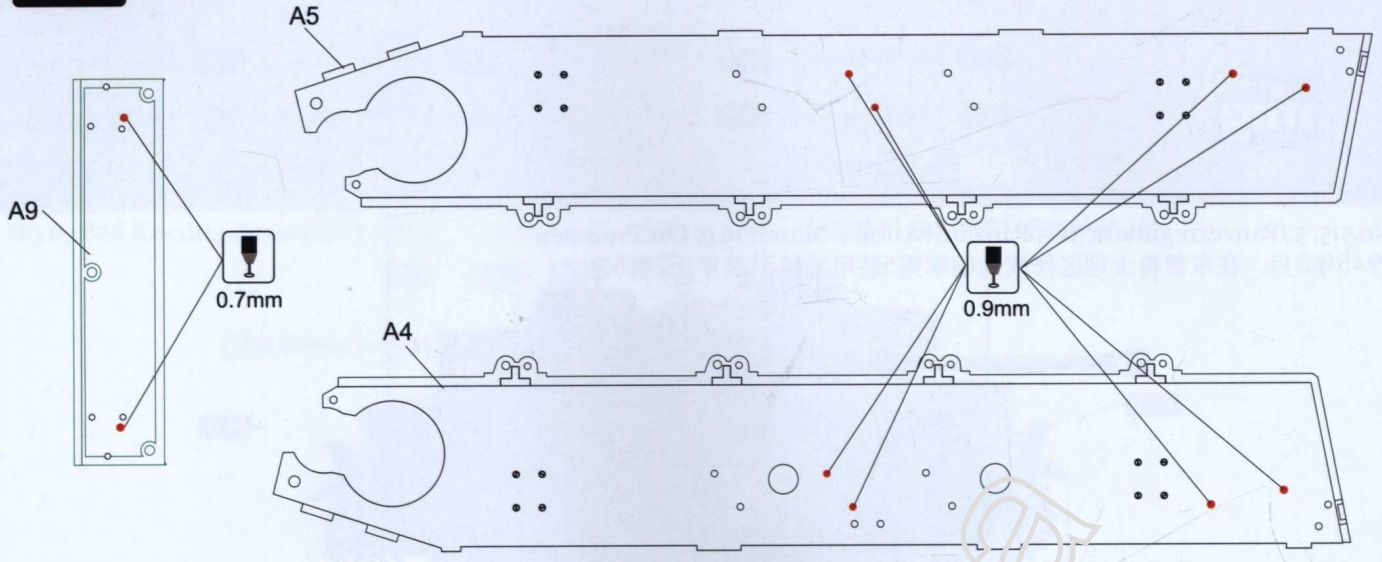
No.515, 5./Panzerregiment 31, 5.Panzerdivision, March 1945 Ost Preussen  
1945年3月, 在东普鲁士地区作战的德军第5装甲师第31装甲团2营5连



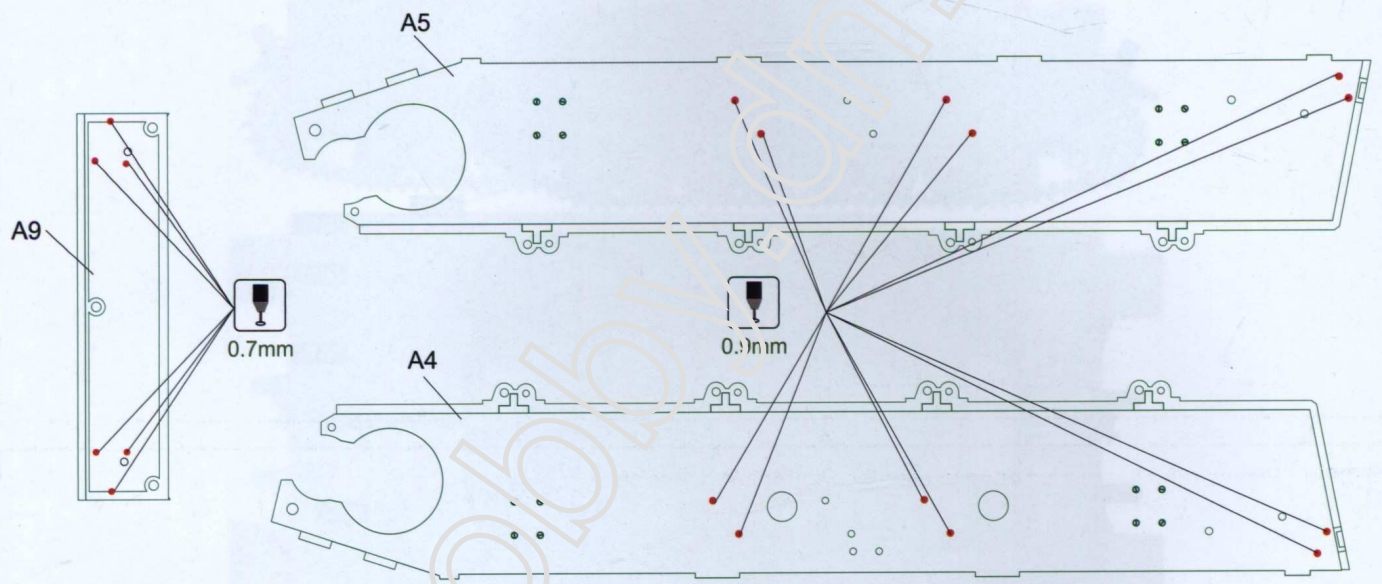
## WEATHERING STEPS WITH AMMO PRODUCTS

<b>1 GENERAL WASH</b> A.MIG-1010 Neutral Wash	<b>3 STREAKING</b> A.MIG-1205 Streaking Grime for Winter Vehicles	<b>5 TRACK WASH</b> A.MIG-1002 Tracks Wash	<b>7 MUD &amp; SPLASHES</b> A.MIG-1705 Wet Mud A.MIG-1754 Damp Earth
<b>2 FILTER</b> A.MIG-1501 Grey for White	<b>4 RUST</b> A.MIG-1254 Streakingbrusher Rust	<b>6 DUST</b> A.MIG-3029 Winter Soil	<b>6 GREASE &amp; OIL</b> A.MIG-1408 Fresh Engine Oil A.MIG-1409 Fuel Stains

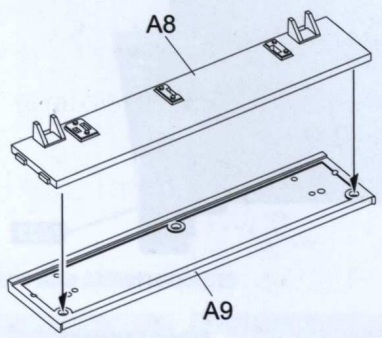
**STEP 1**



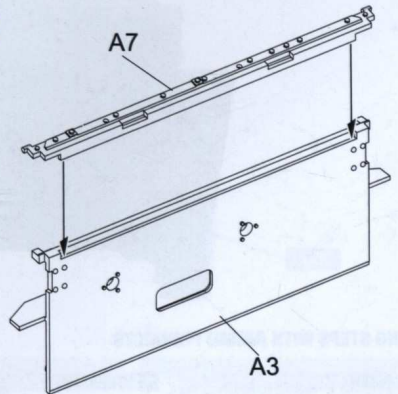
Apply for the Pz.Beob.Wg version  
仅适用于炮兵观测车型号



**A1**

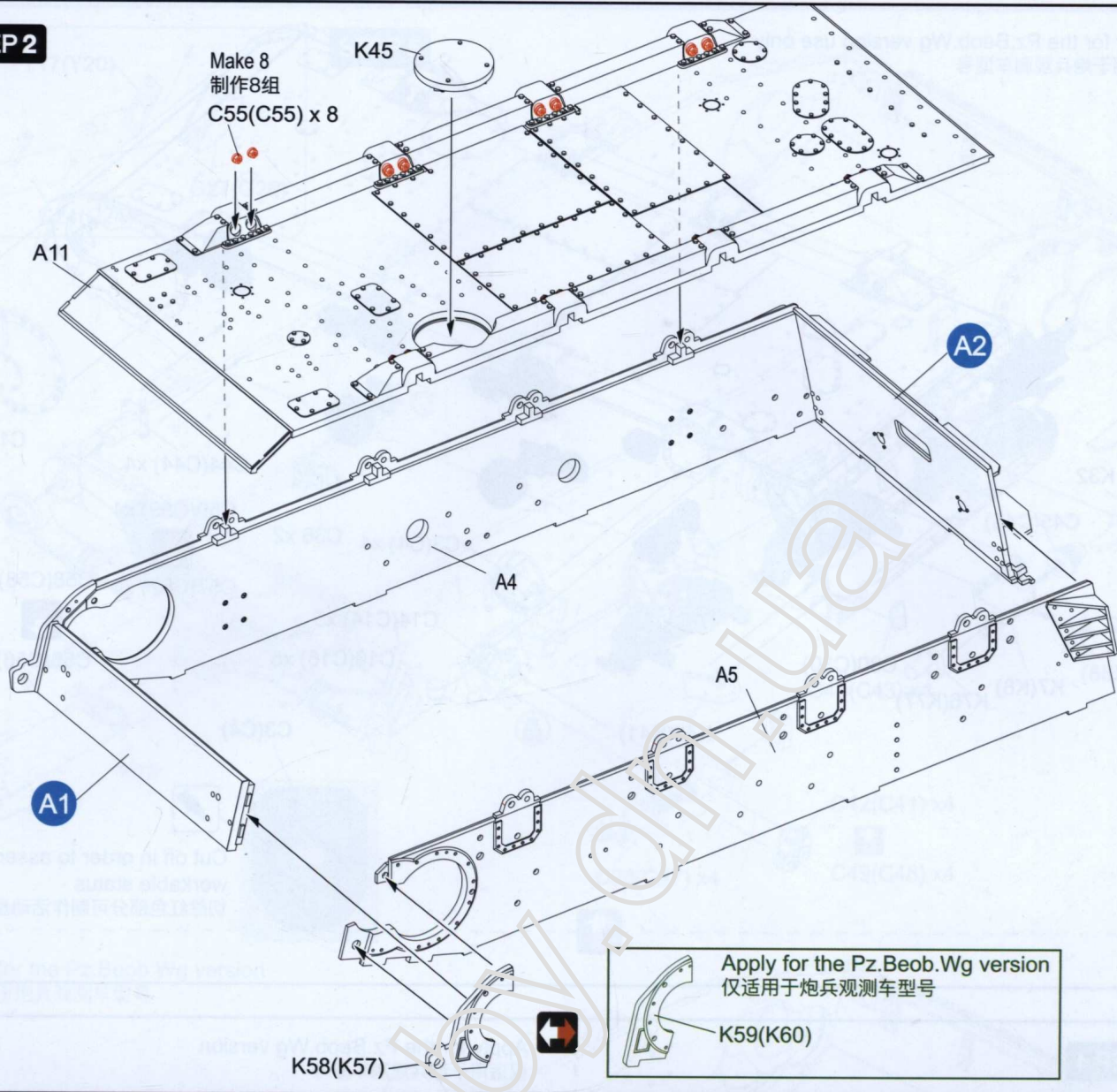


**A2**



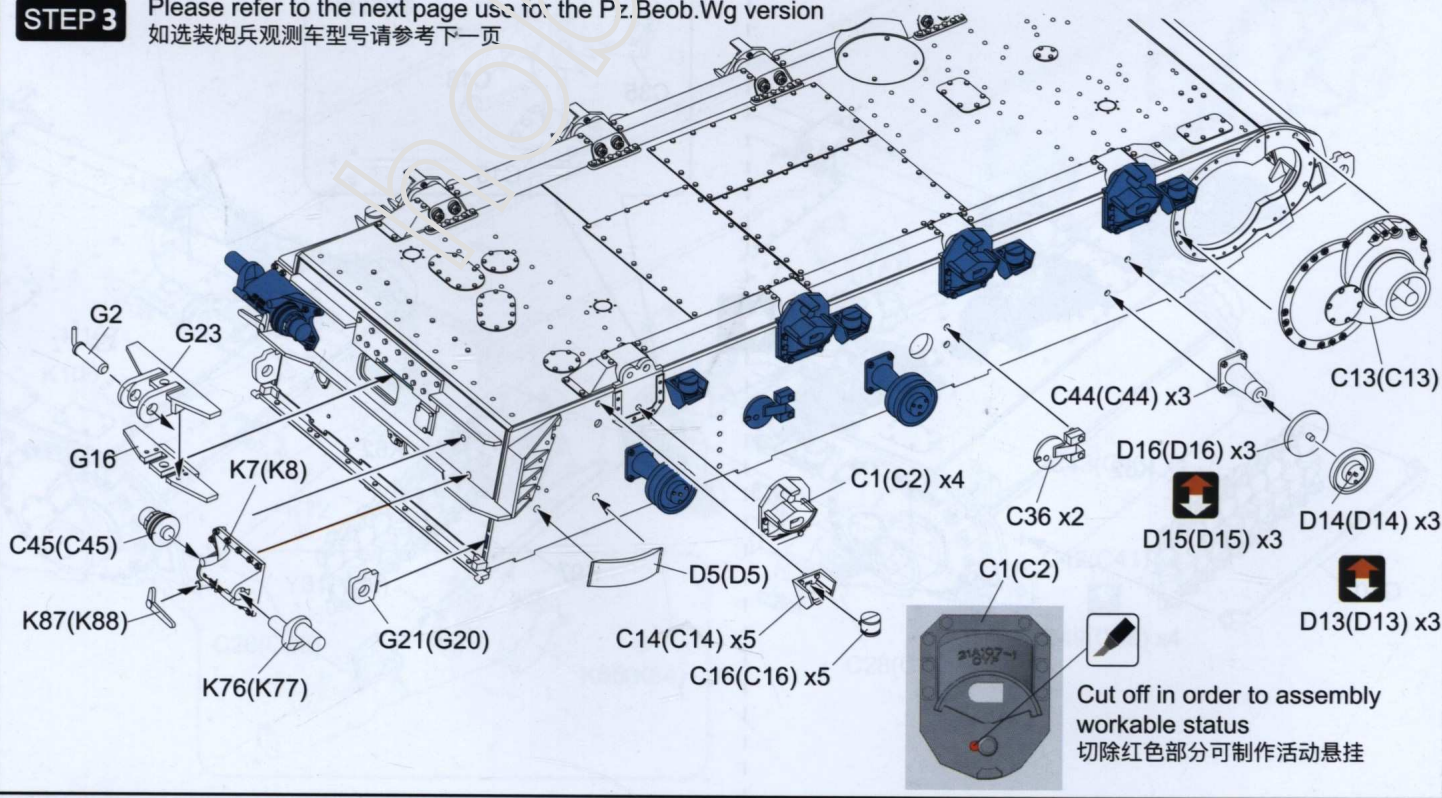


**STEP 2**

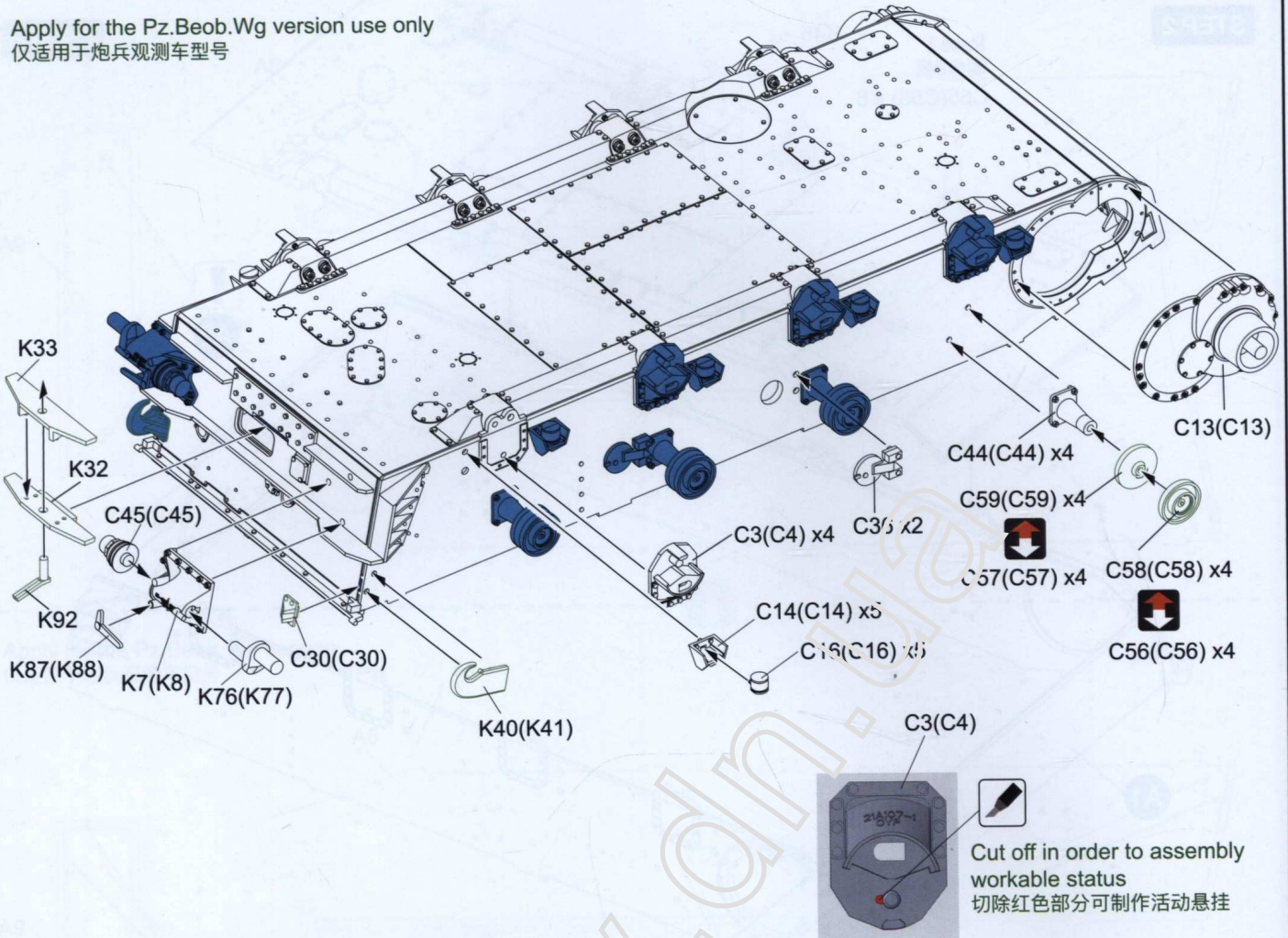


**STEP 3**

Please refer to the next page use for the Pz.Beob.Wg version  
如选装炮兵观测车型号请参考下一页

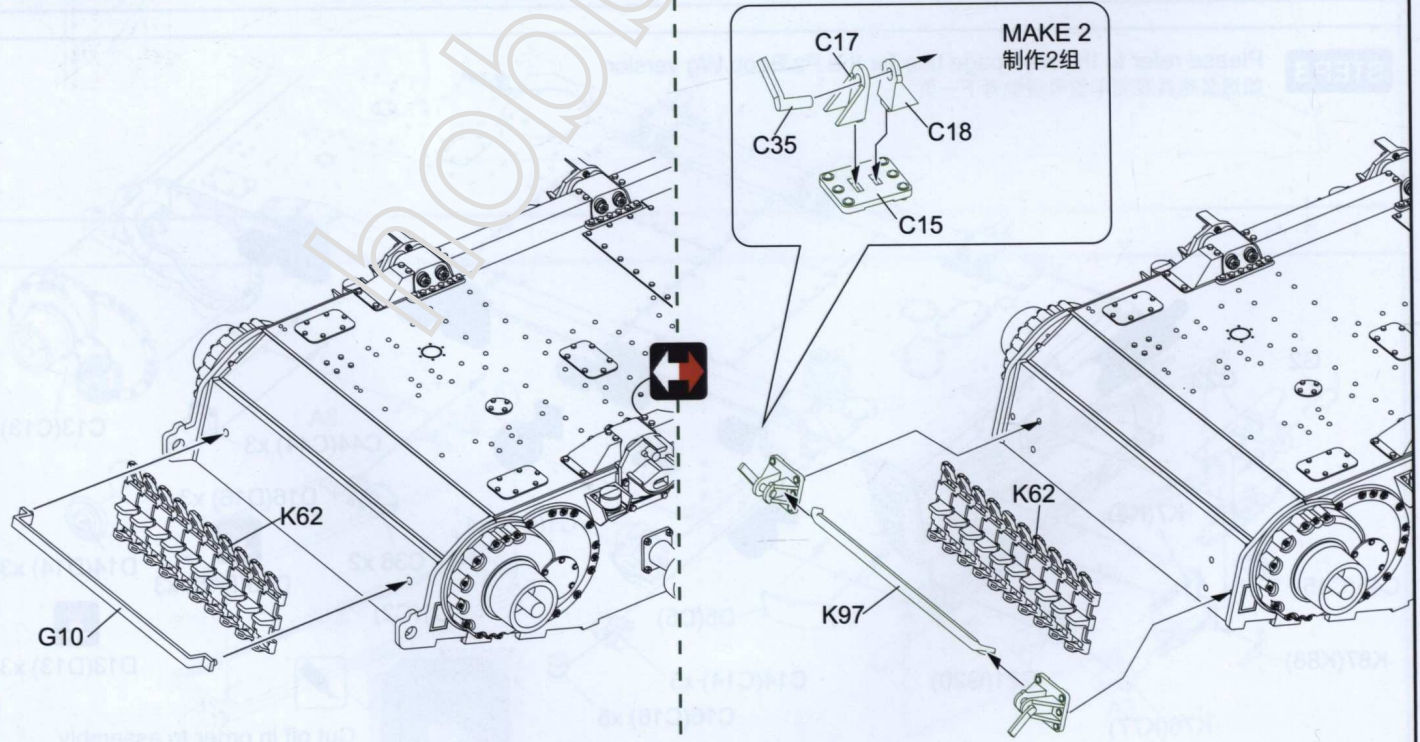


Apply for the Pz.Beob.Wg version use only  
 仅适用于炮兵观测车型号



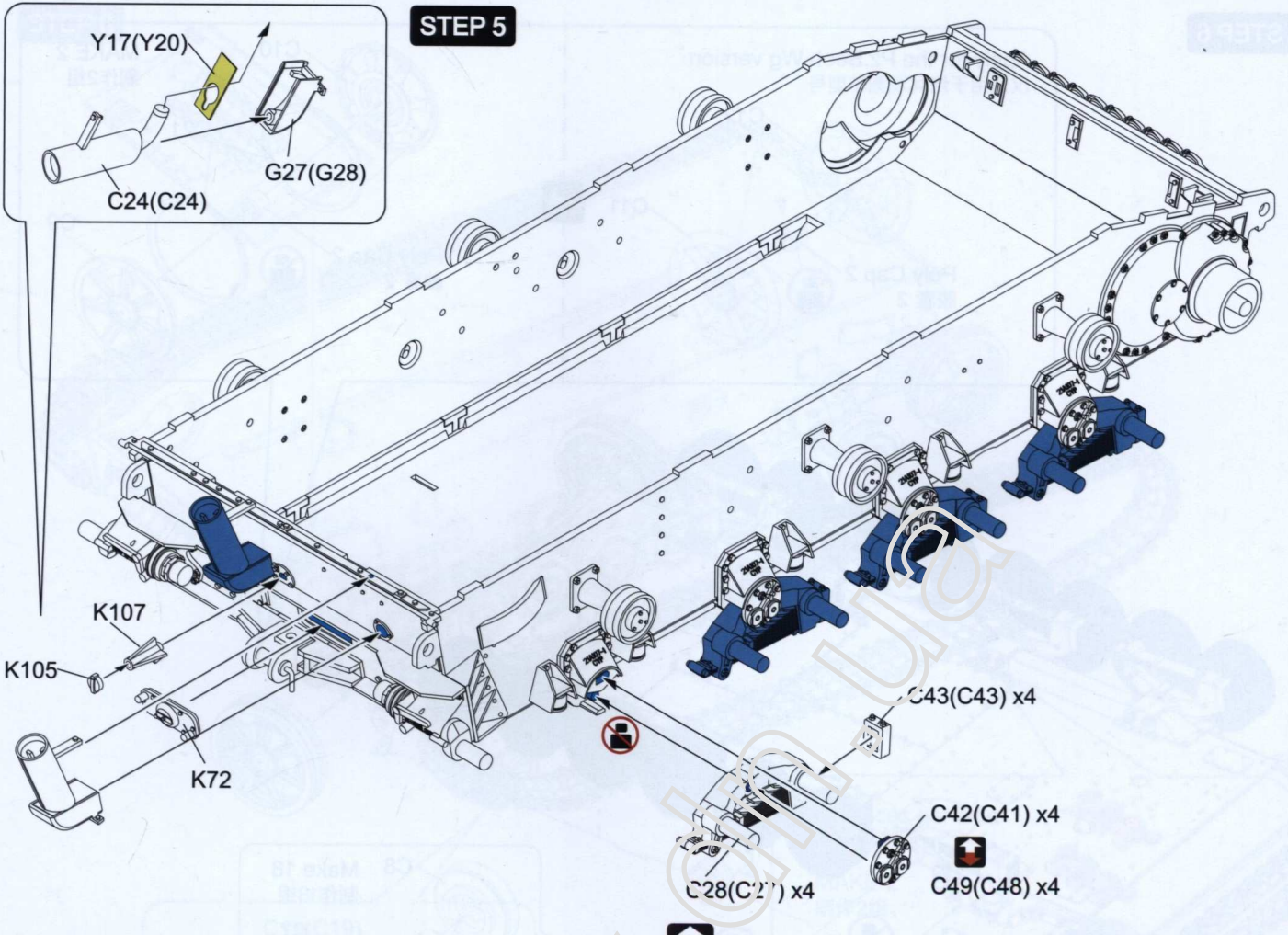
**STEP 4**

Apply for the Pz.Beob.Wg version  
 仅适用于炮兵观测车型号

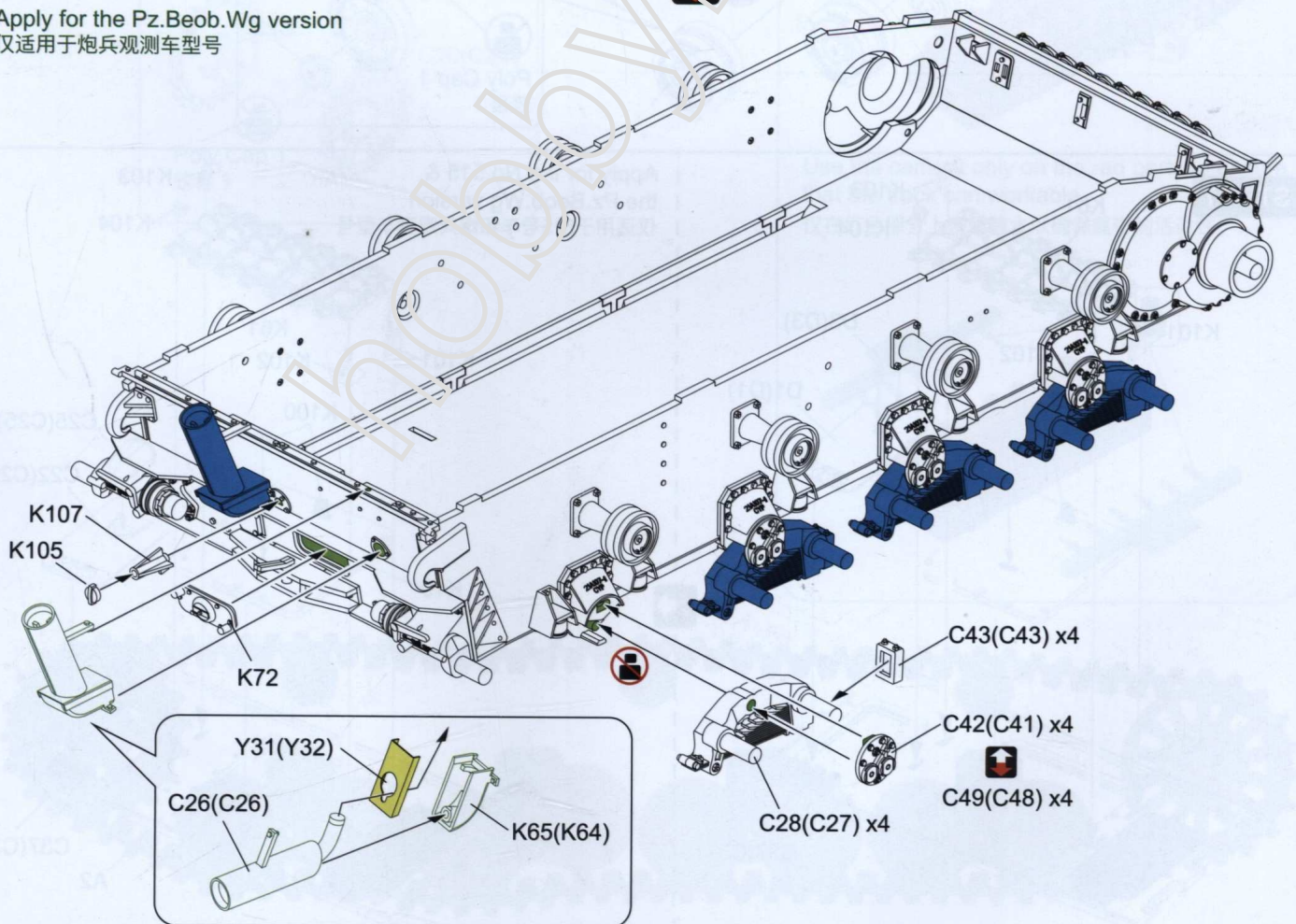


**STEP 5**

99312

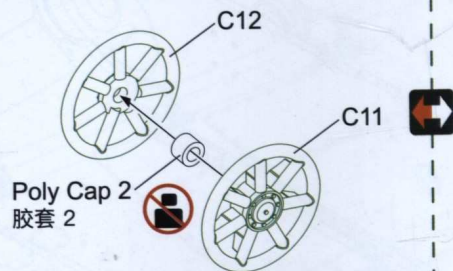


Apply for the Pz.Beob.Wg version  
仅适用于炮兵观测车型号

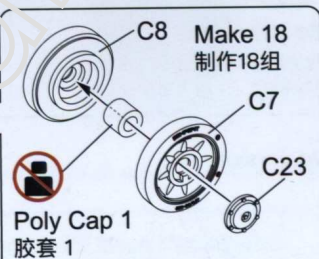
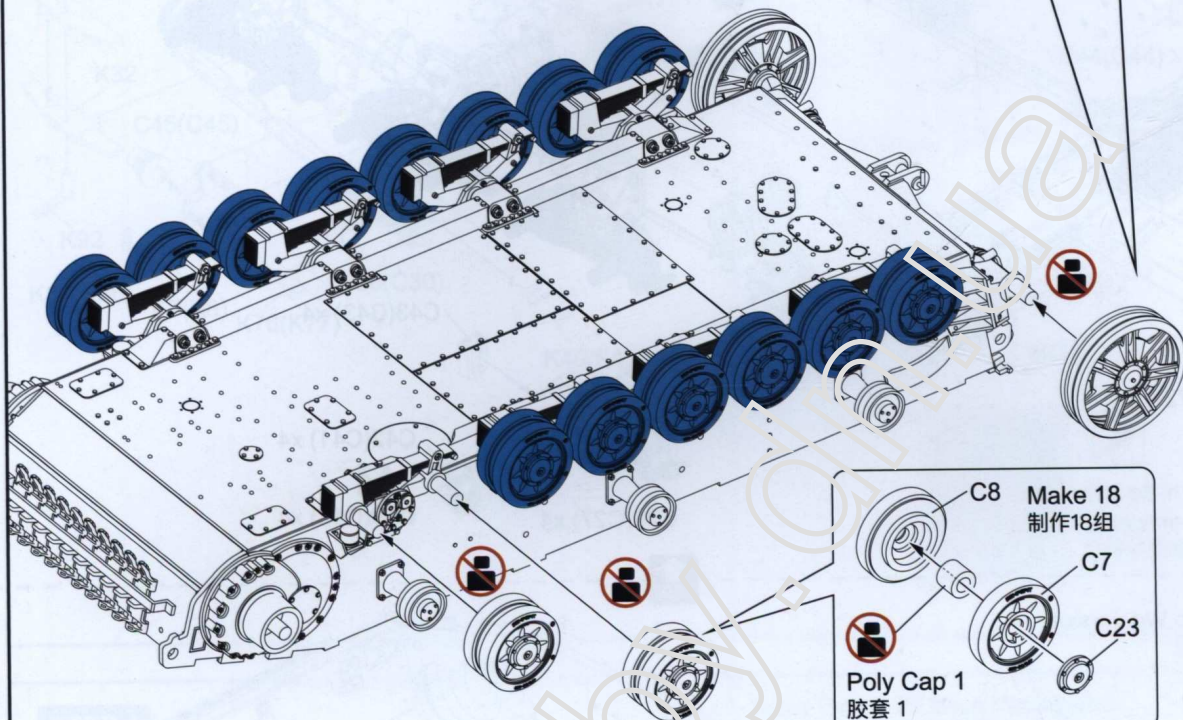
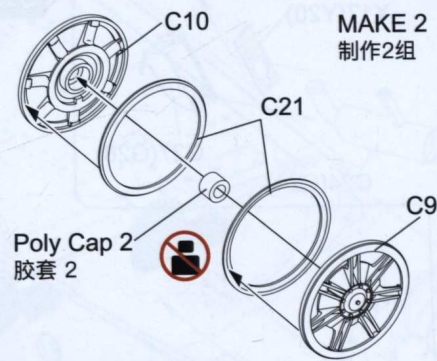


**STEP 6**

Apply for the Pz.Beob.Wg version  
 仅适用于炮兵观测车型号

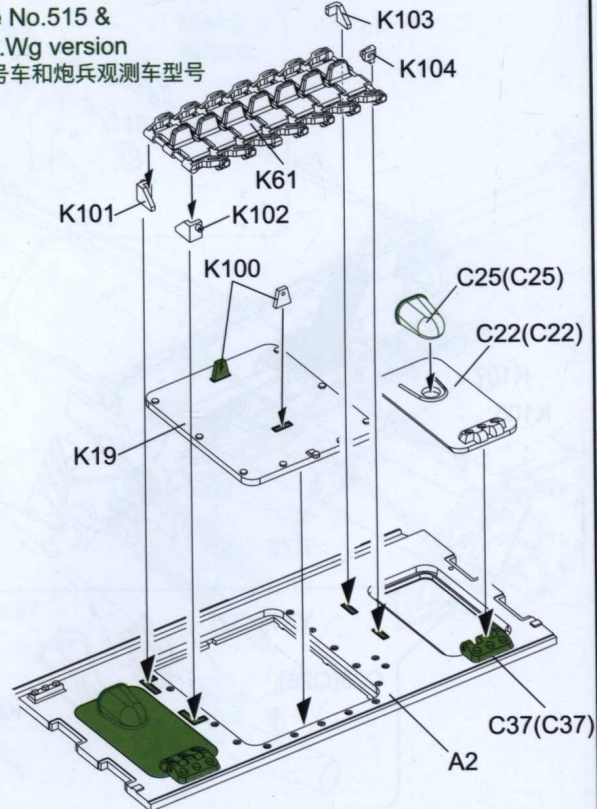
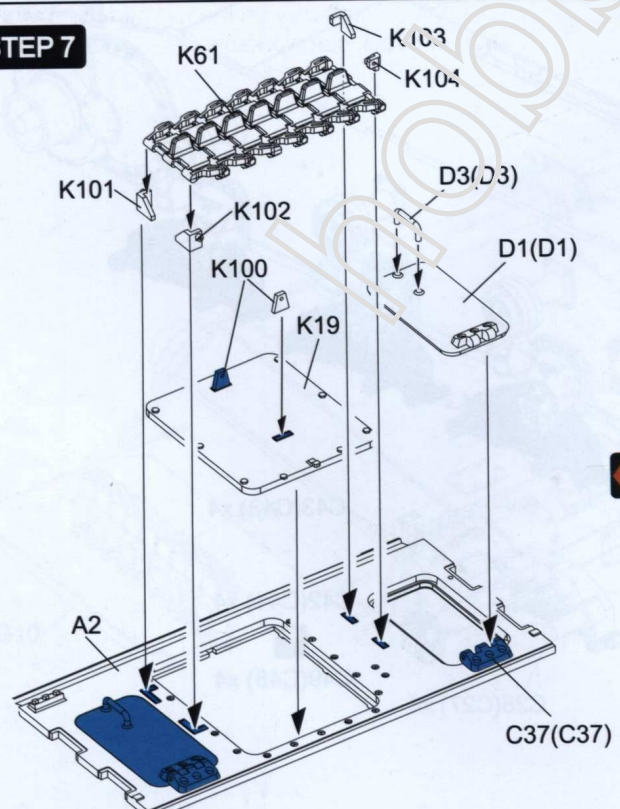


MAKE 2  
 制作2组



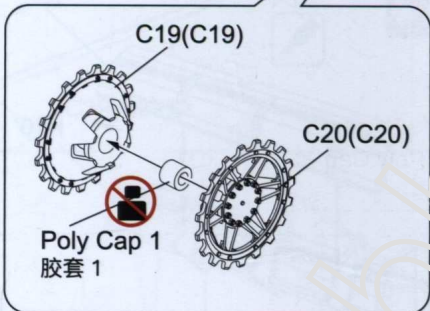
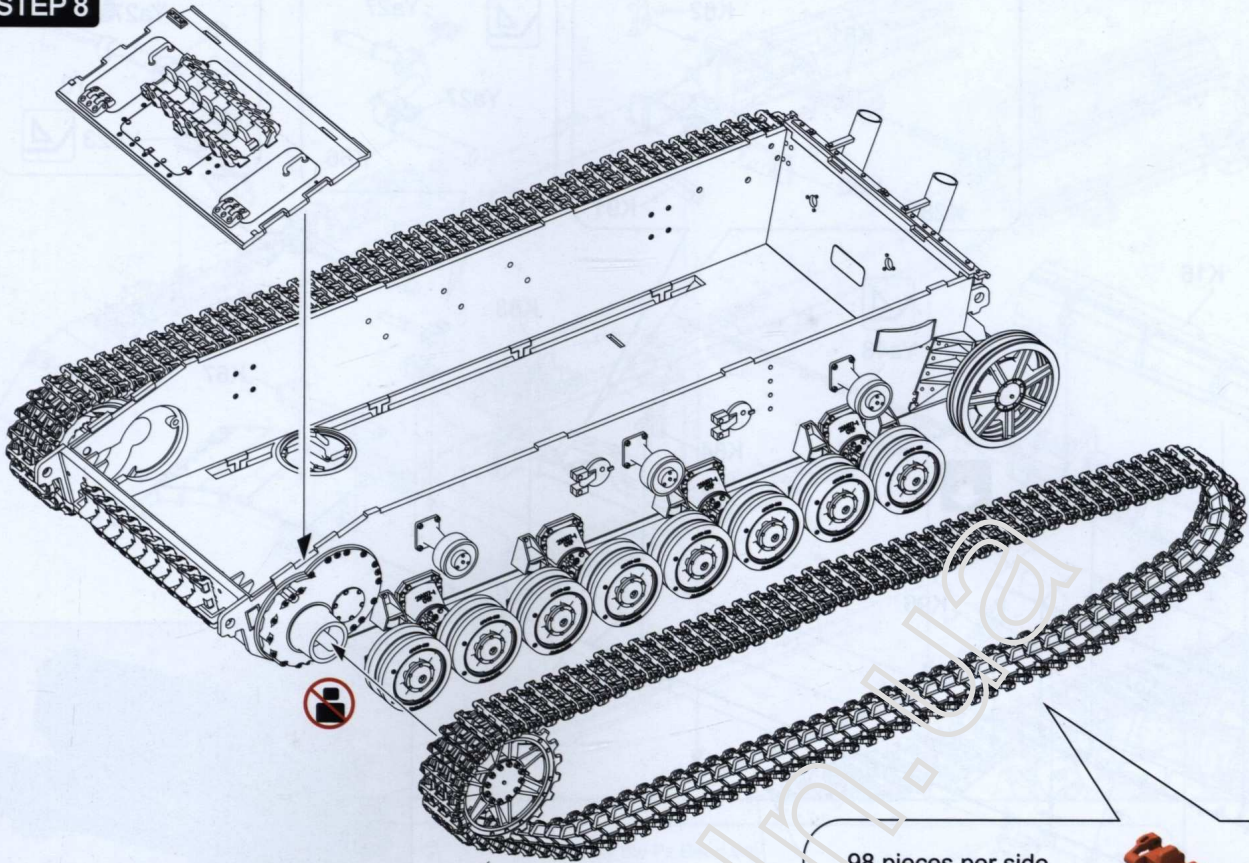
**STEP 7**

Apply for the No.515 &  
 the Pz.Beob.Wg version  
 仅适用于515号车和炮兵观测车型号



STEP 8

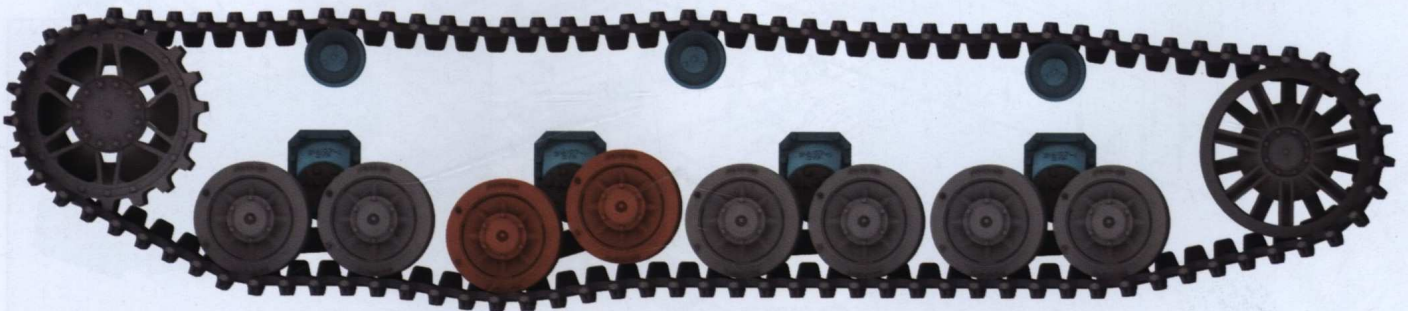
43312



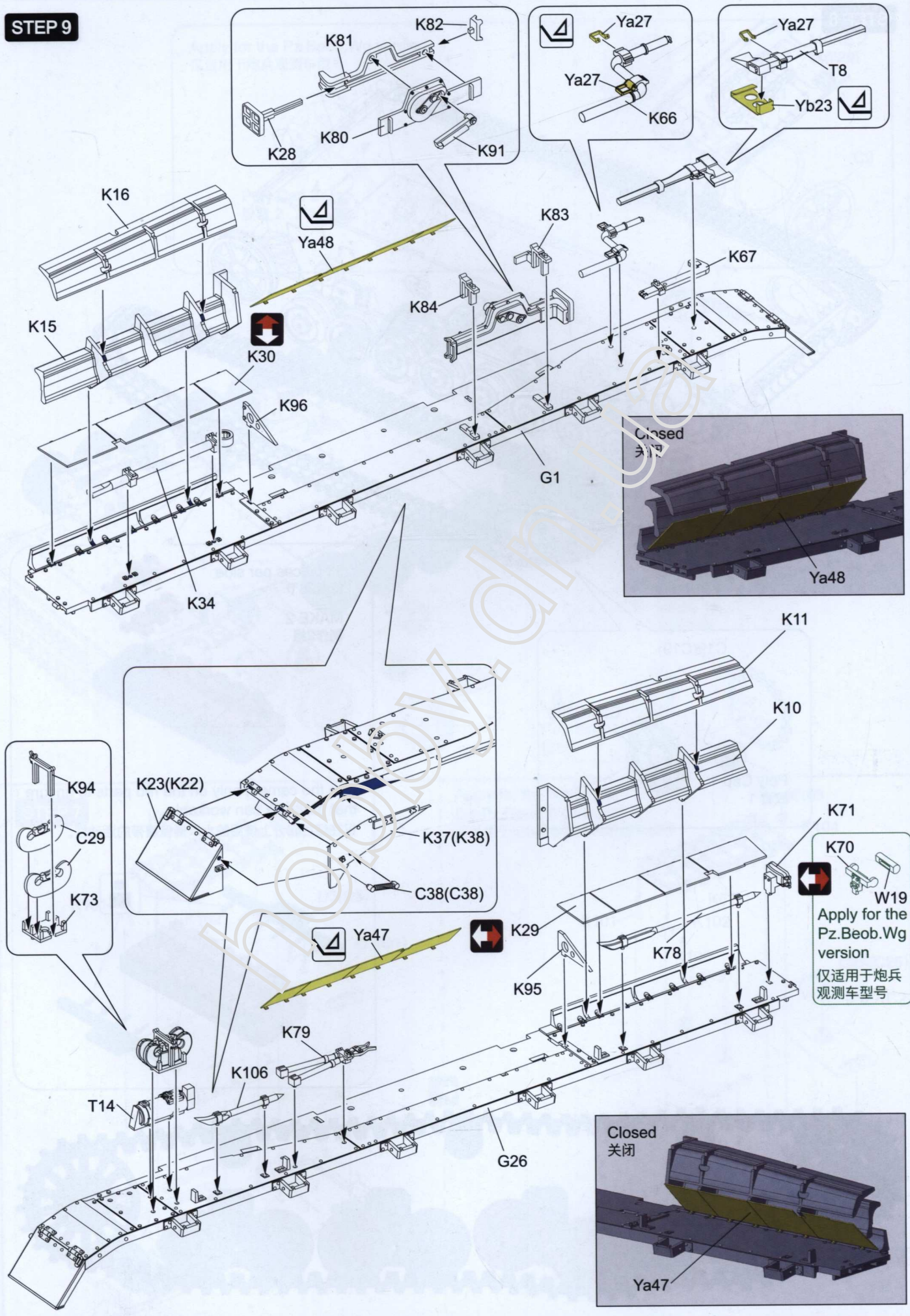
98 pieces per side  
每侧98节

MAKE 2  
制作2组

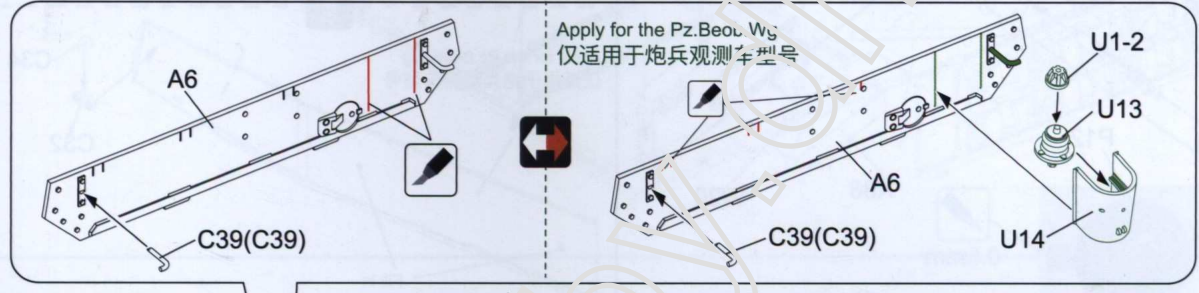
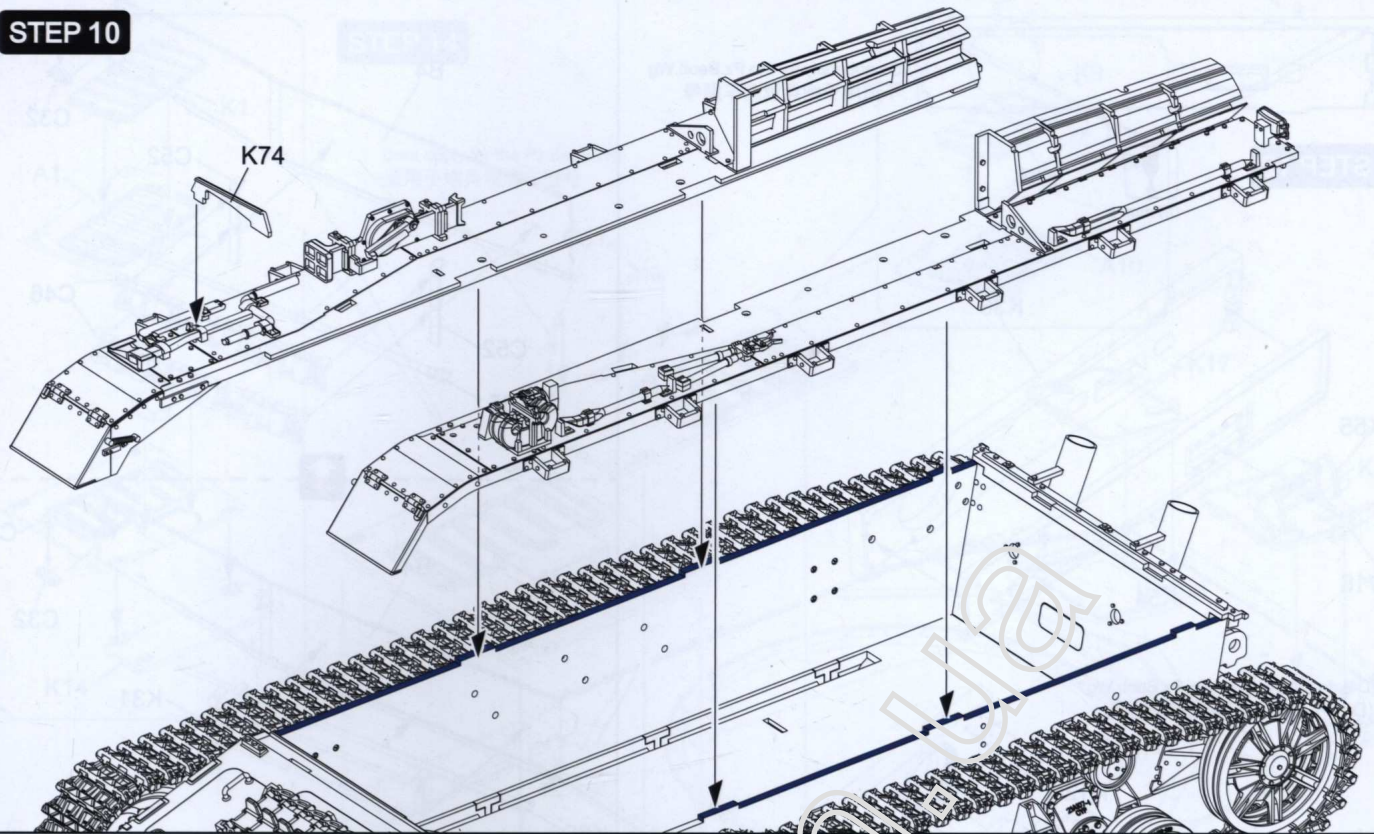
Use the cement only on the red parts to ensure that the track can workable.  
仅在红色部分上使用胶水以确保履带的活动性。



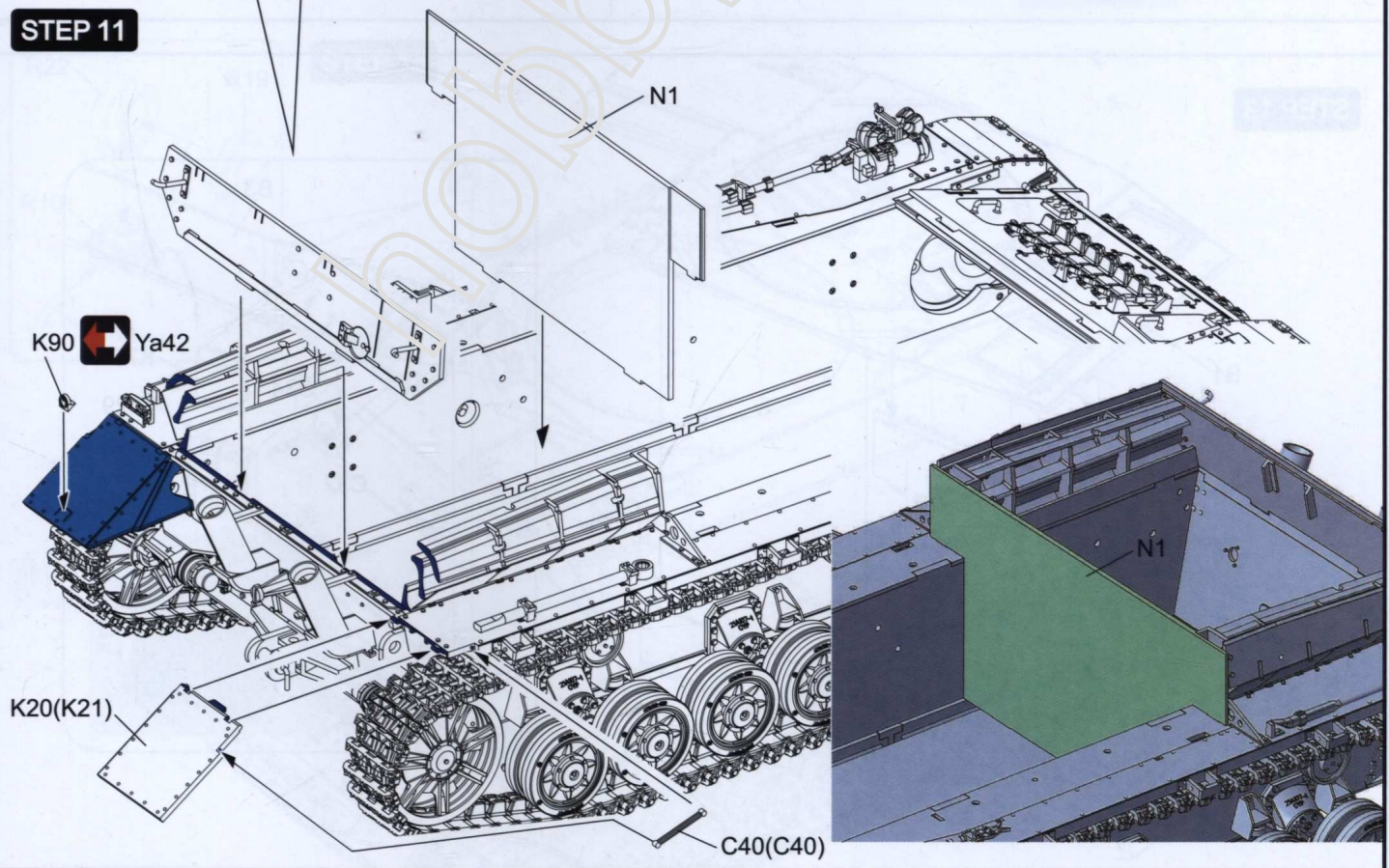
**STEP 9**



**STEP 10**



**STEP 11**



**STEP 12**

Do not apply for the Pz.Beob.Wg  
不适用于炮兵观测车型号

0.7mm

K36

K55

W18

K54

D4(D4) do not apply for the Pz.Beob.Wg  
D4(D4) 不适用于炮兵观测车型号

D4(D4)

P12

R1

K43

P12

0.5mm

K86

W20

B4

C34

C32

C52

C46

K85

B4

C34

C32

K31

K15

B4

C34

C32

Fill in  
填平

Apply for the Pz.Beob.Wg  
仅适用于炮兵观测车型号

**STEP 13**

B1

B3

K75

Ya29

K2

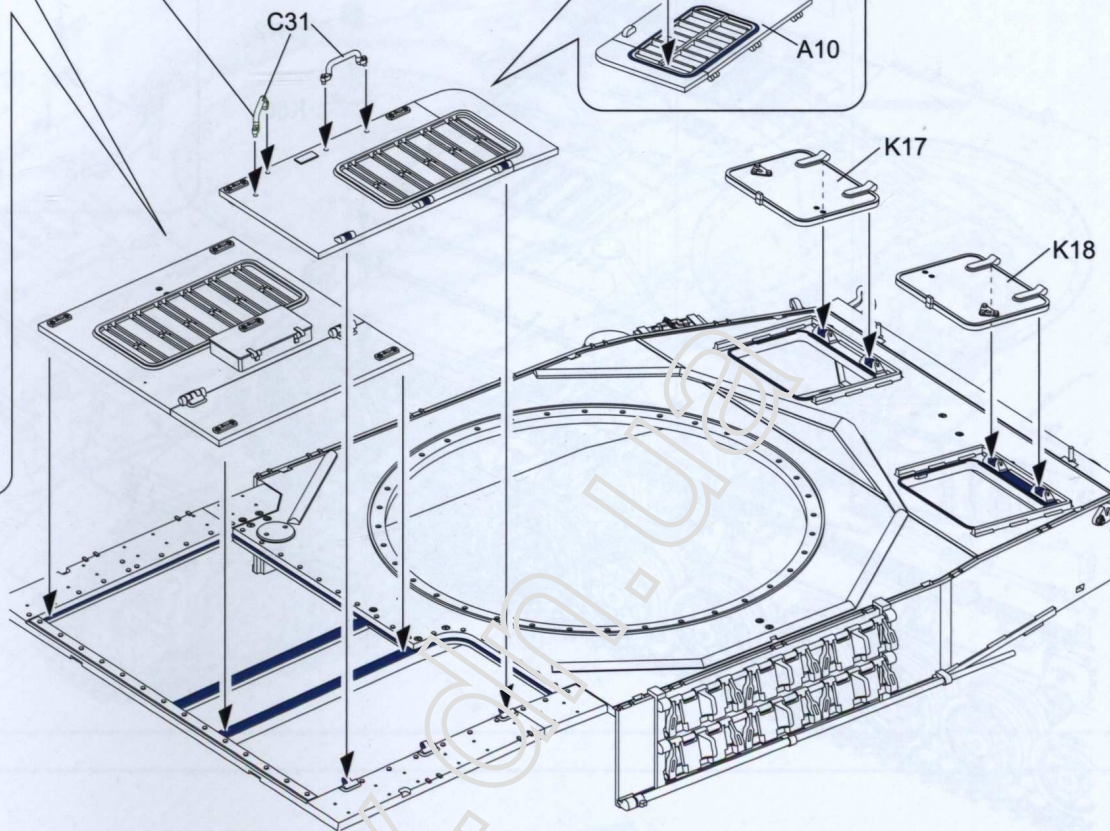
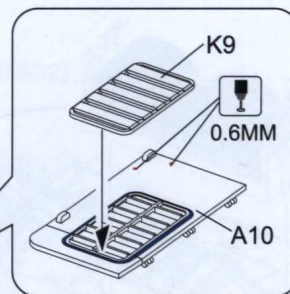
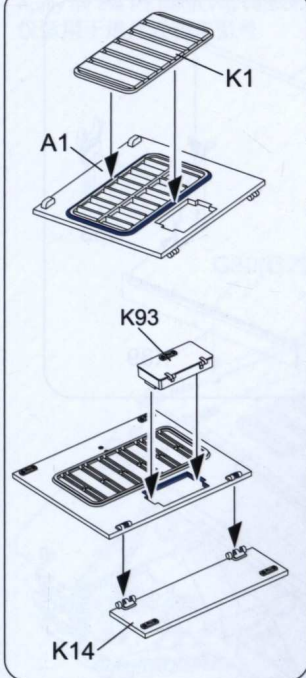
C34

C32

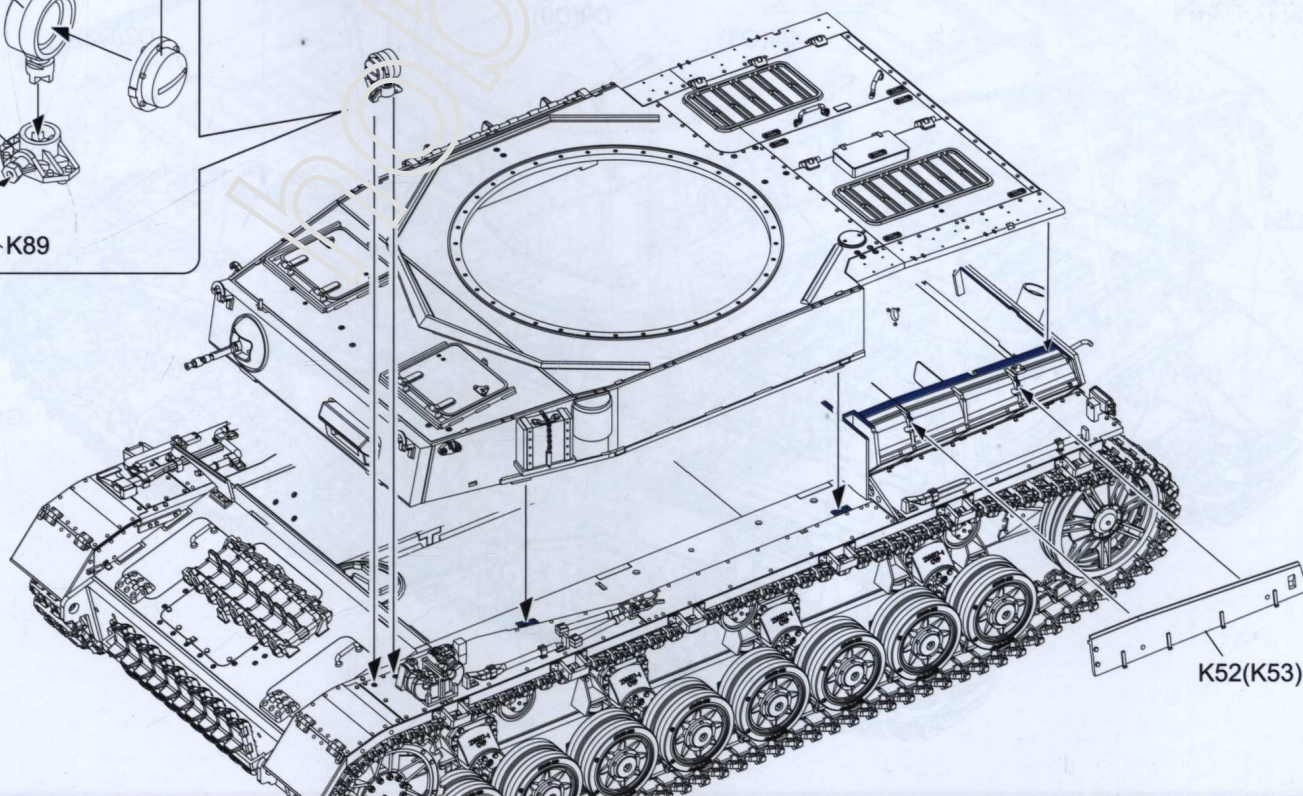
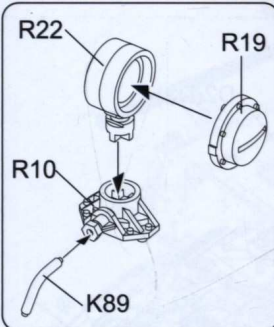


### STEP 14

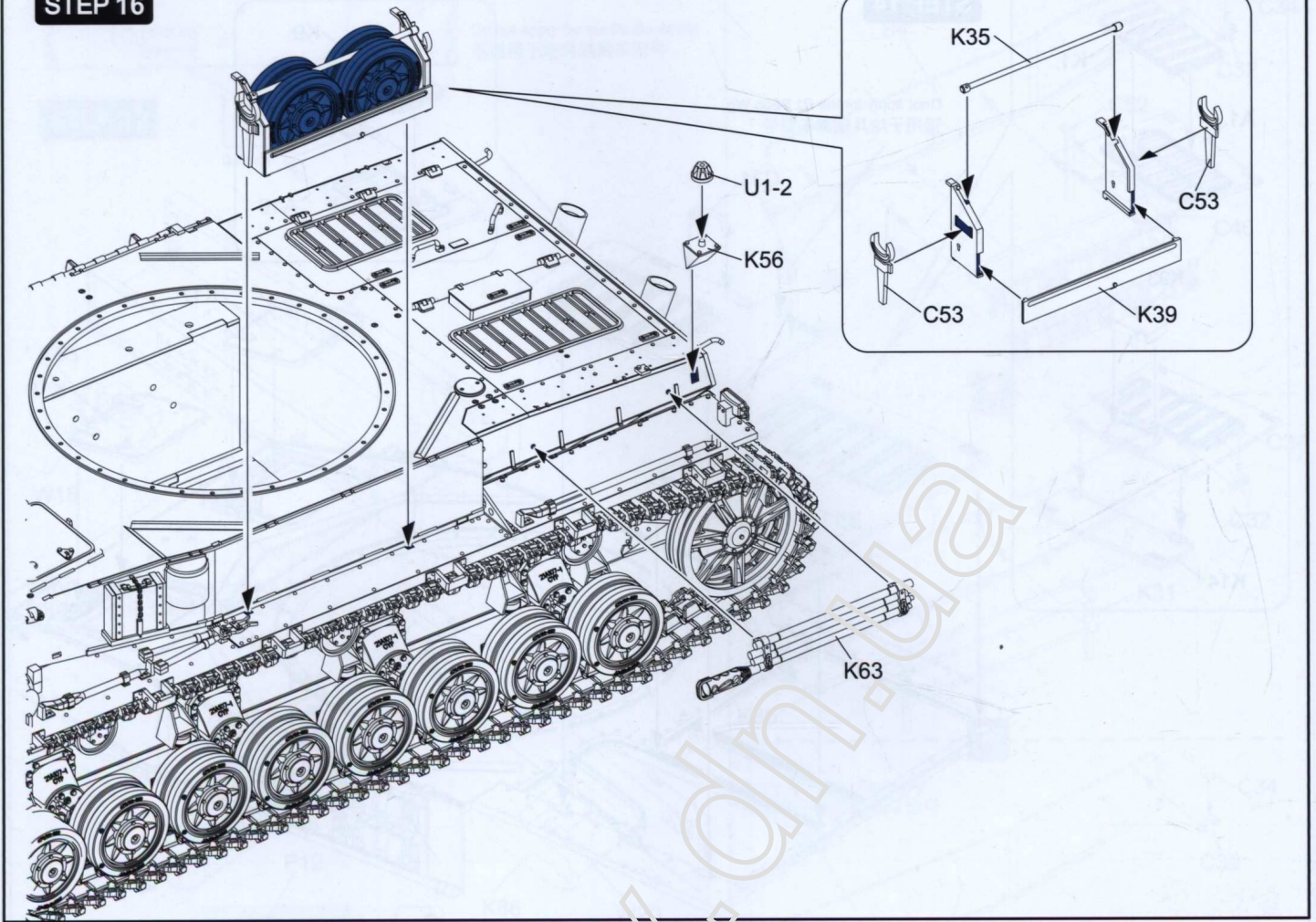
Dnot apply for the Pz.Beob.Wg  
适用于炮兵观测车型号



### STEP 15

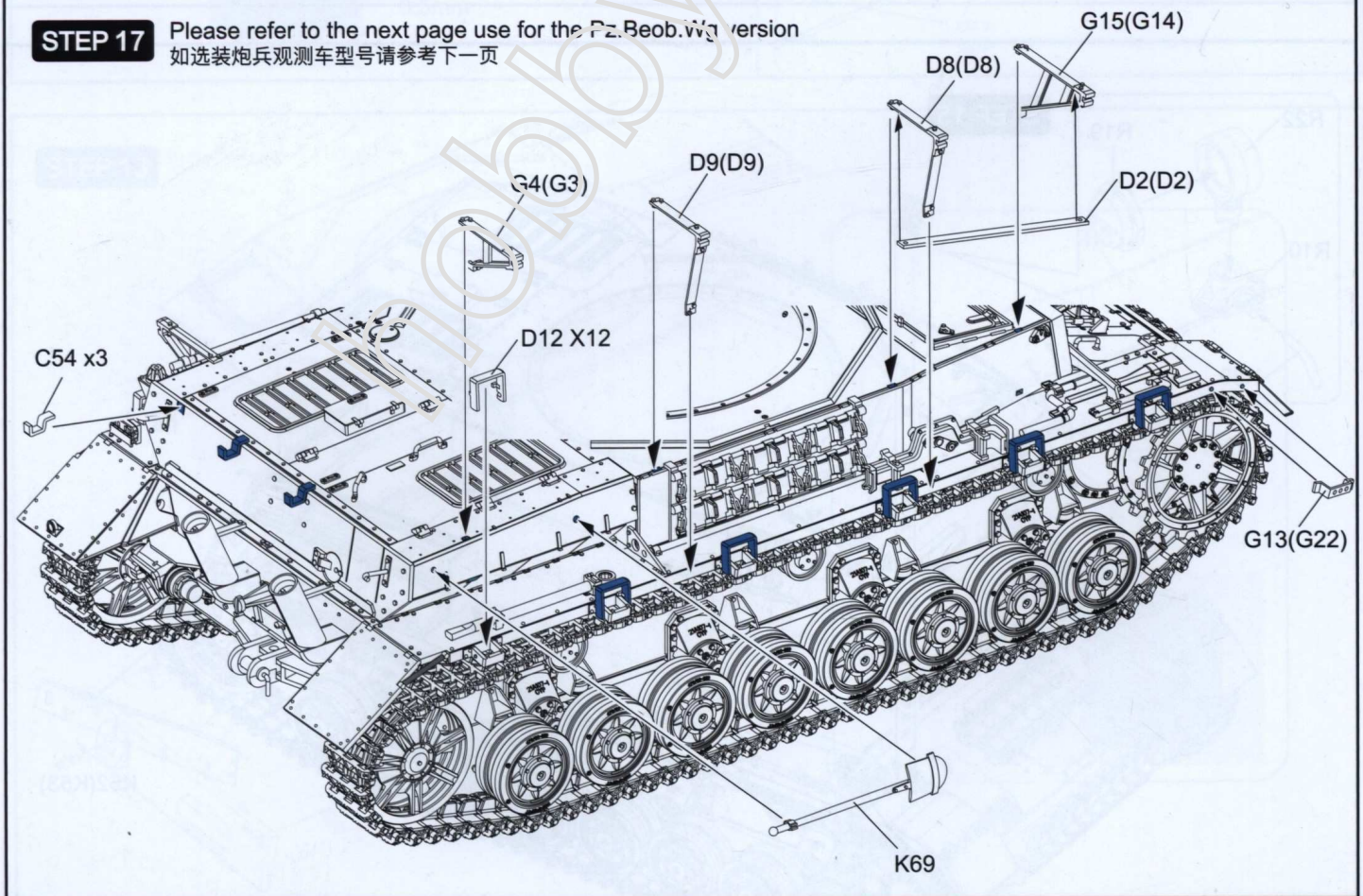


**STEP 16**

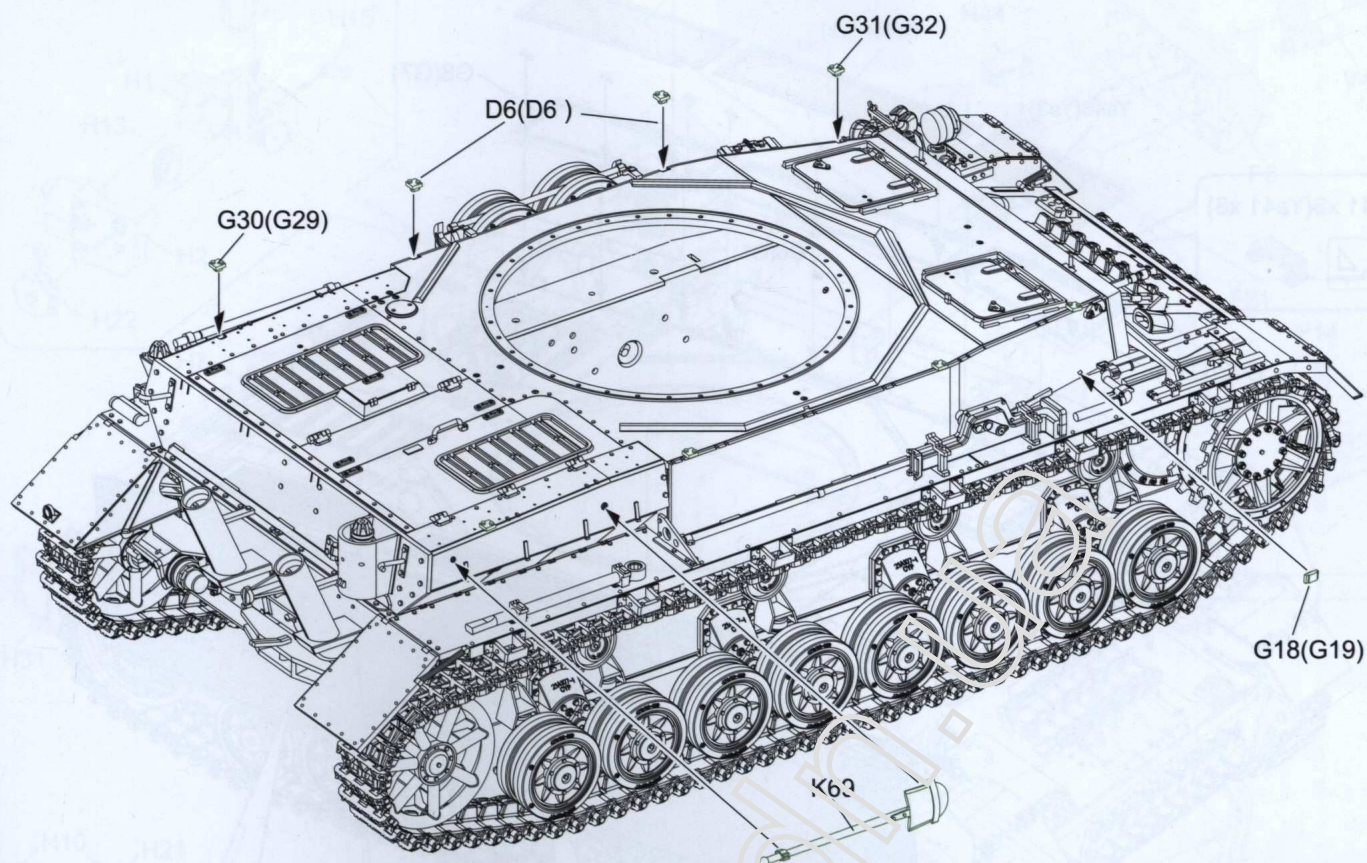


**STEP 17**

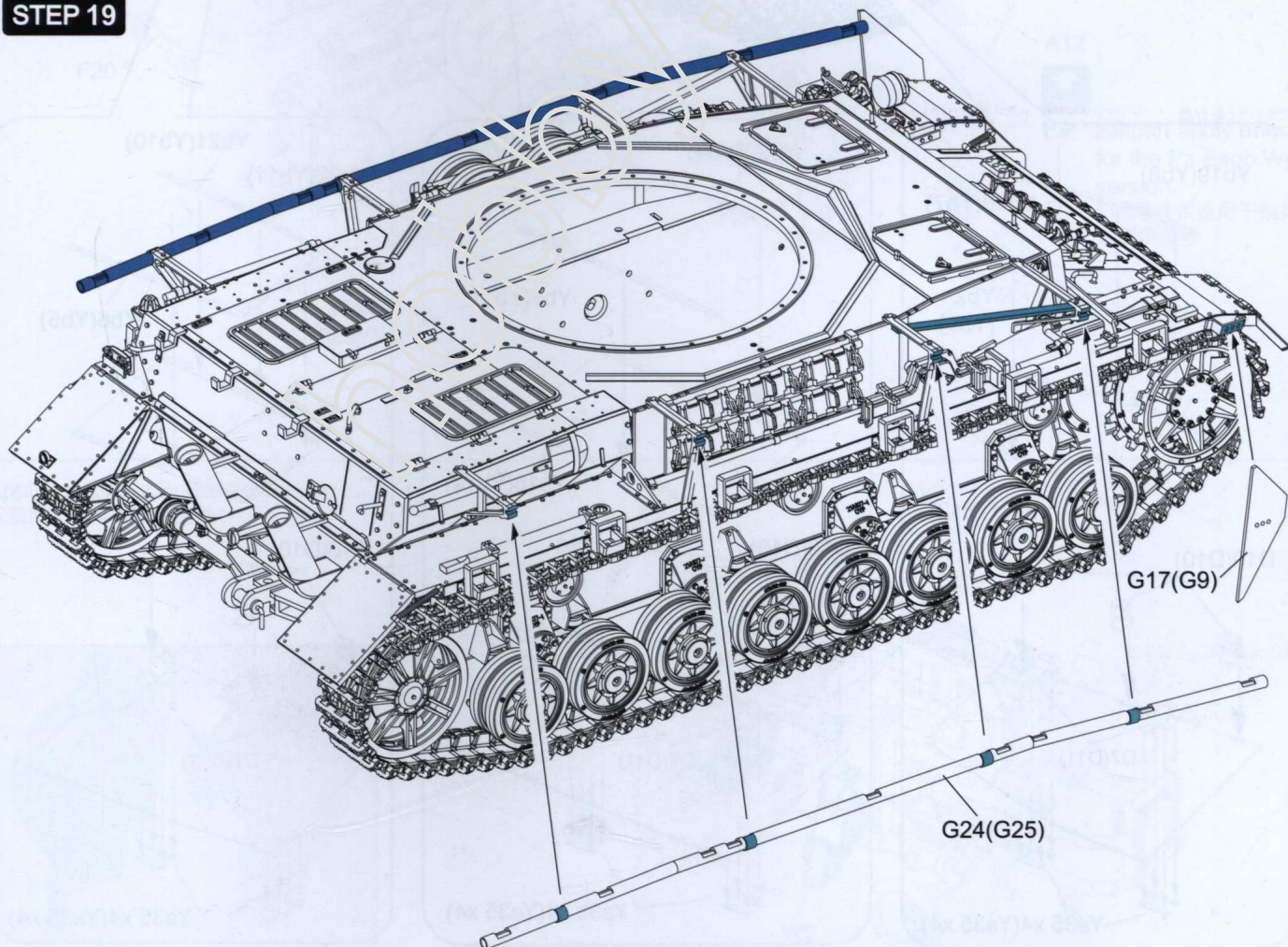
Please refer to the next page use for the Pz. Beob. Wg version  
如选装炮兵观测车型号请参考下一页



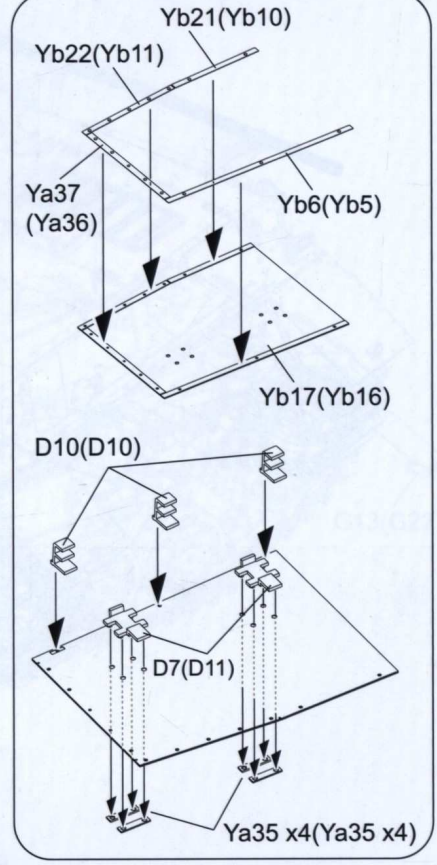
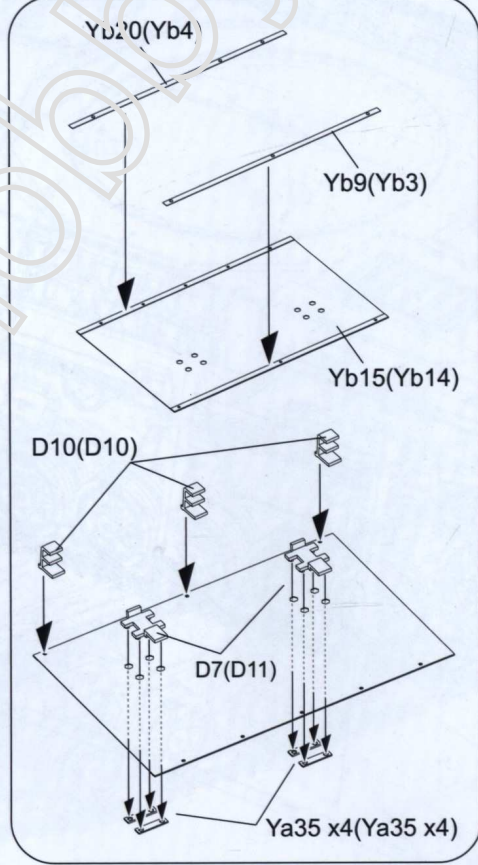
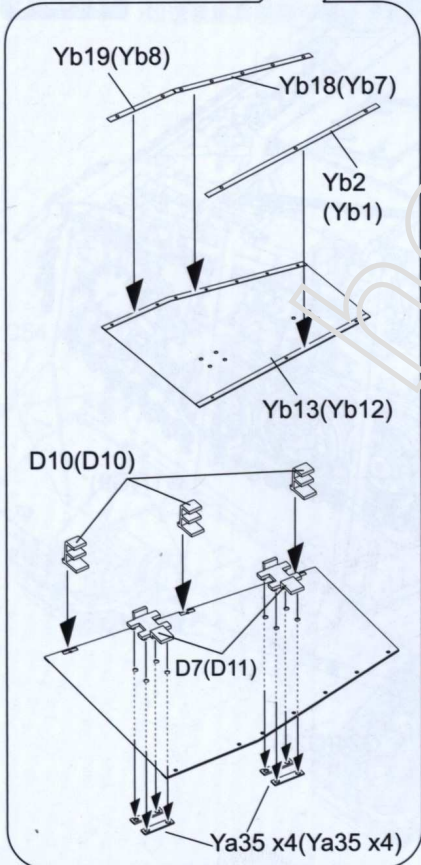
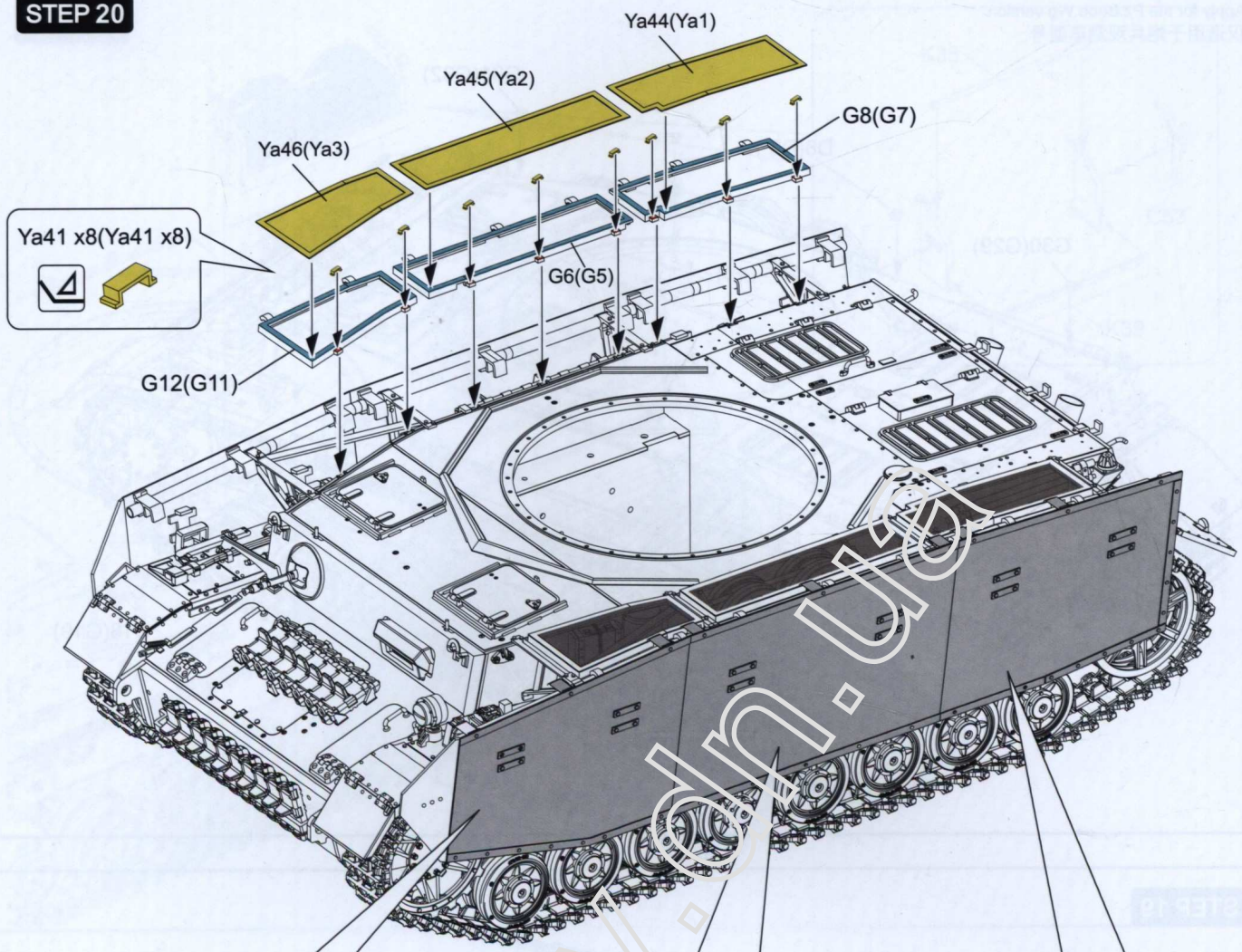
Apply for the Pz.Beob.Wg version  
仅适用于炮兵观测车型号



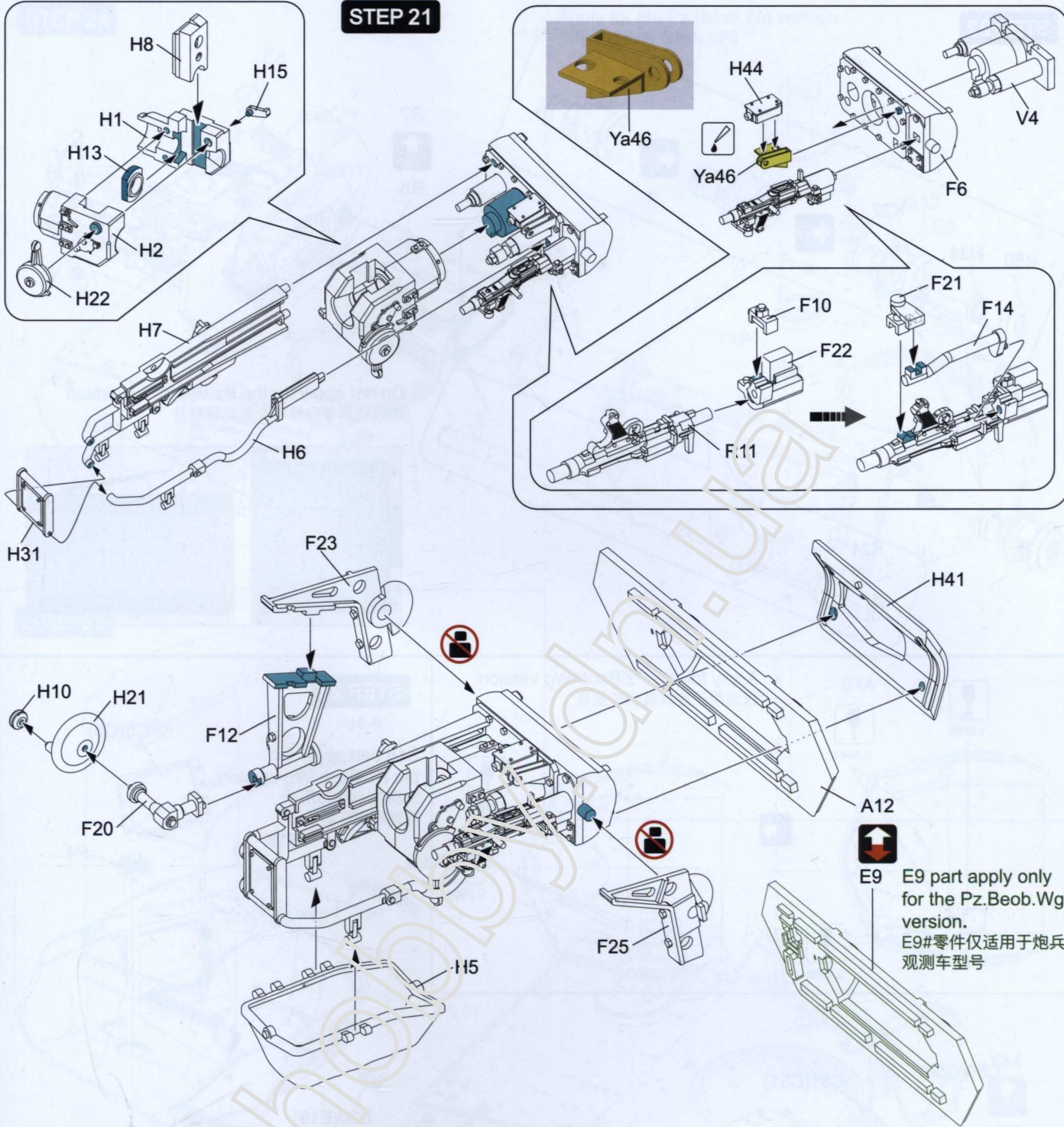
**STEP 19**



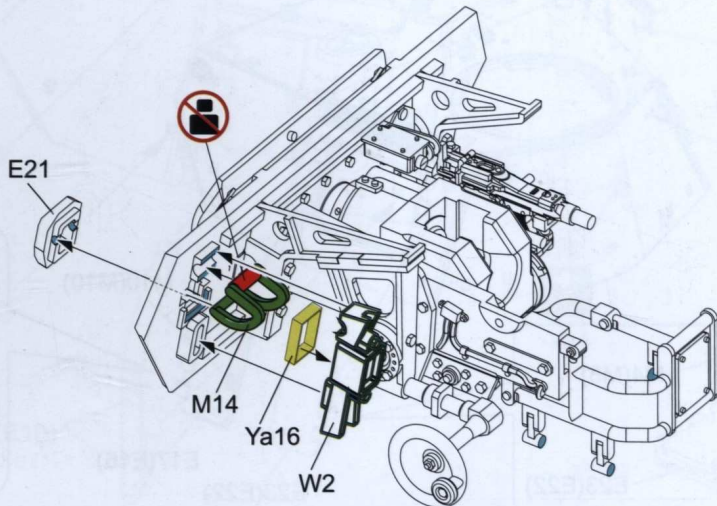
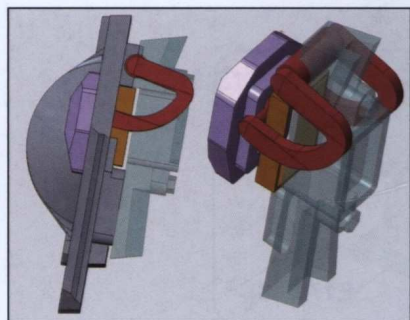
**STEP 20**



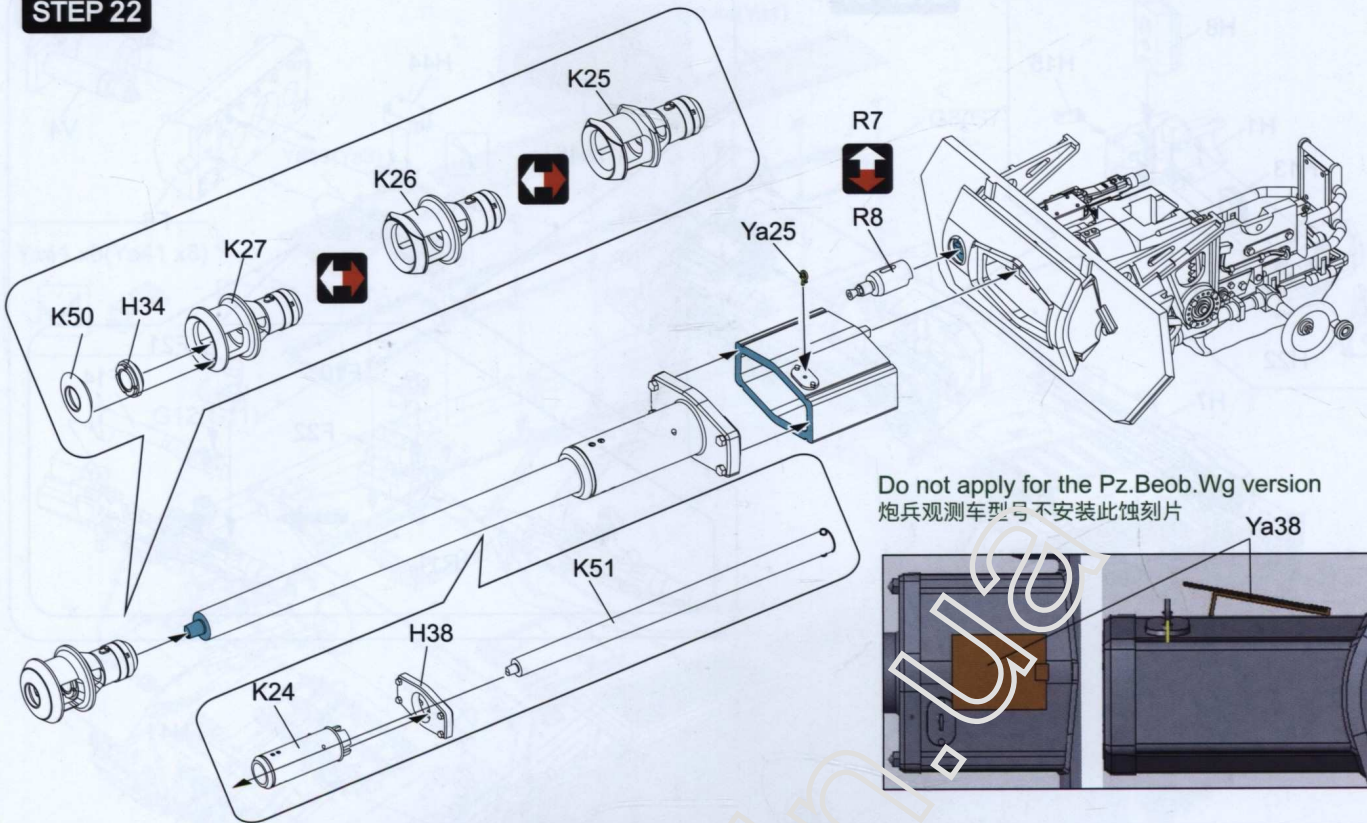
**STEP 21**



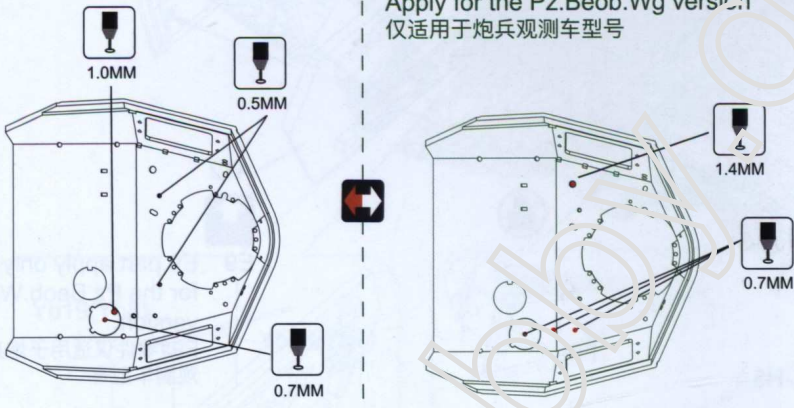
Apply for the Pz.Beob.Wg version  
仅适用于炮兵观测车型号



**STEP 22**

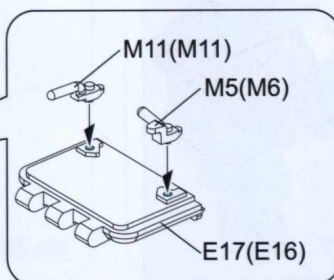
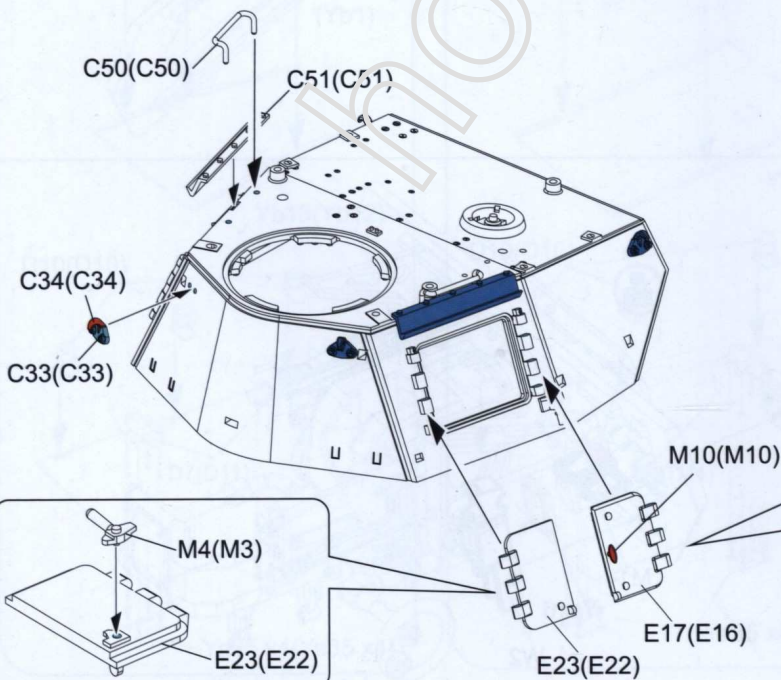
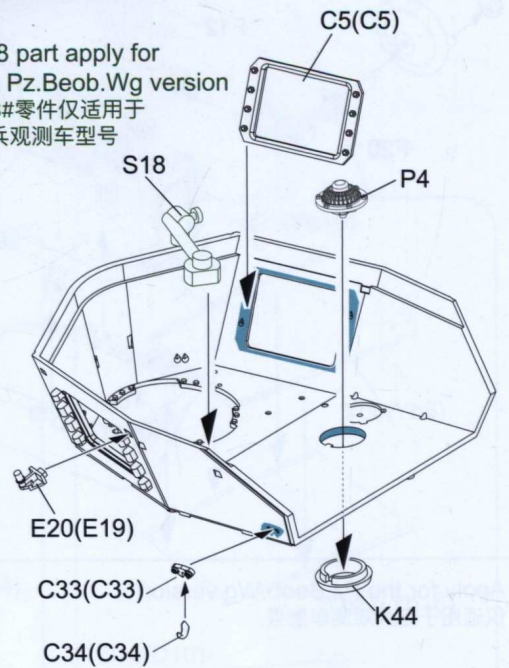


Apply for the Pz.Beob.Wg version  
仅适用于炮兵观测车型号



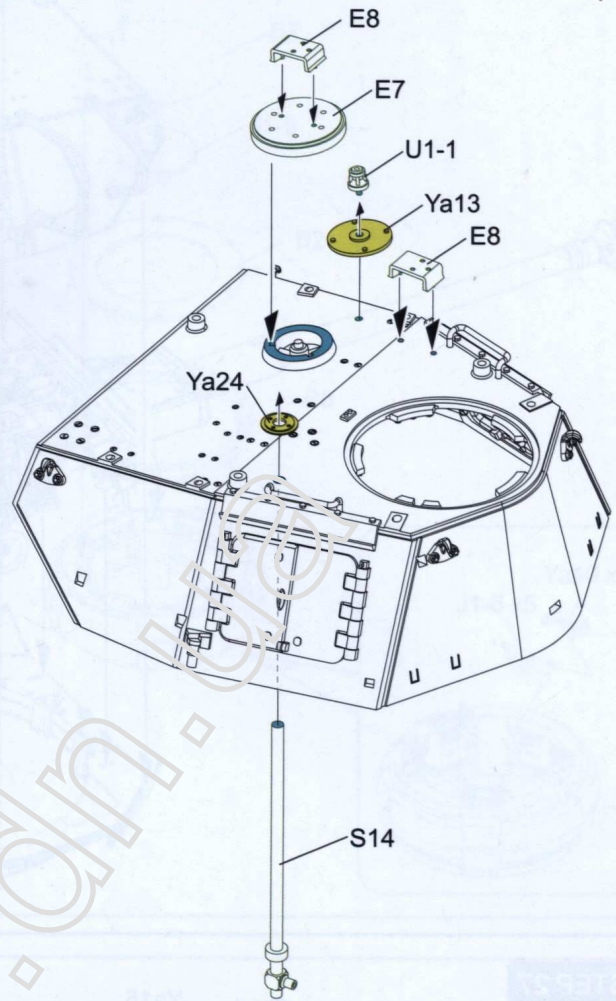
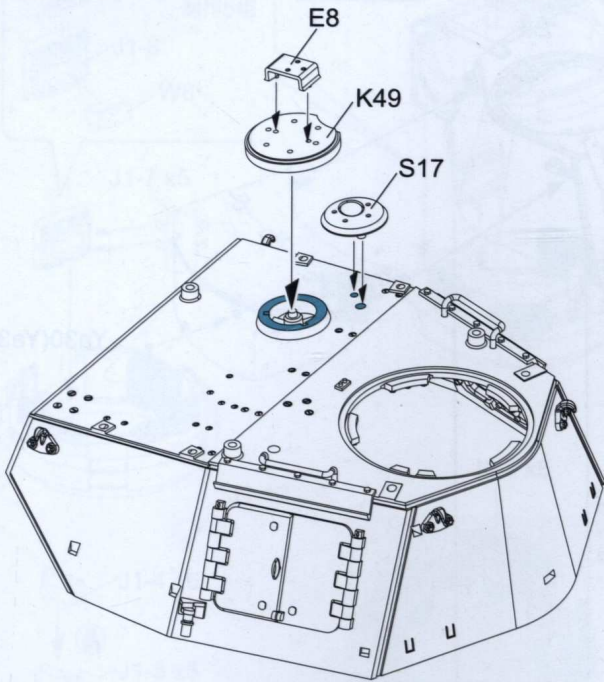
**STEP 23**

S18 part apply for  
the Pz.Beob.Wg version  
S18#零件仅适用于  
炮兵观测车型号

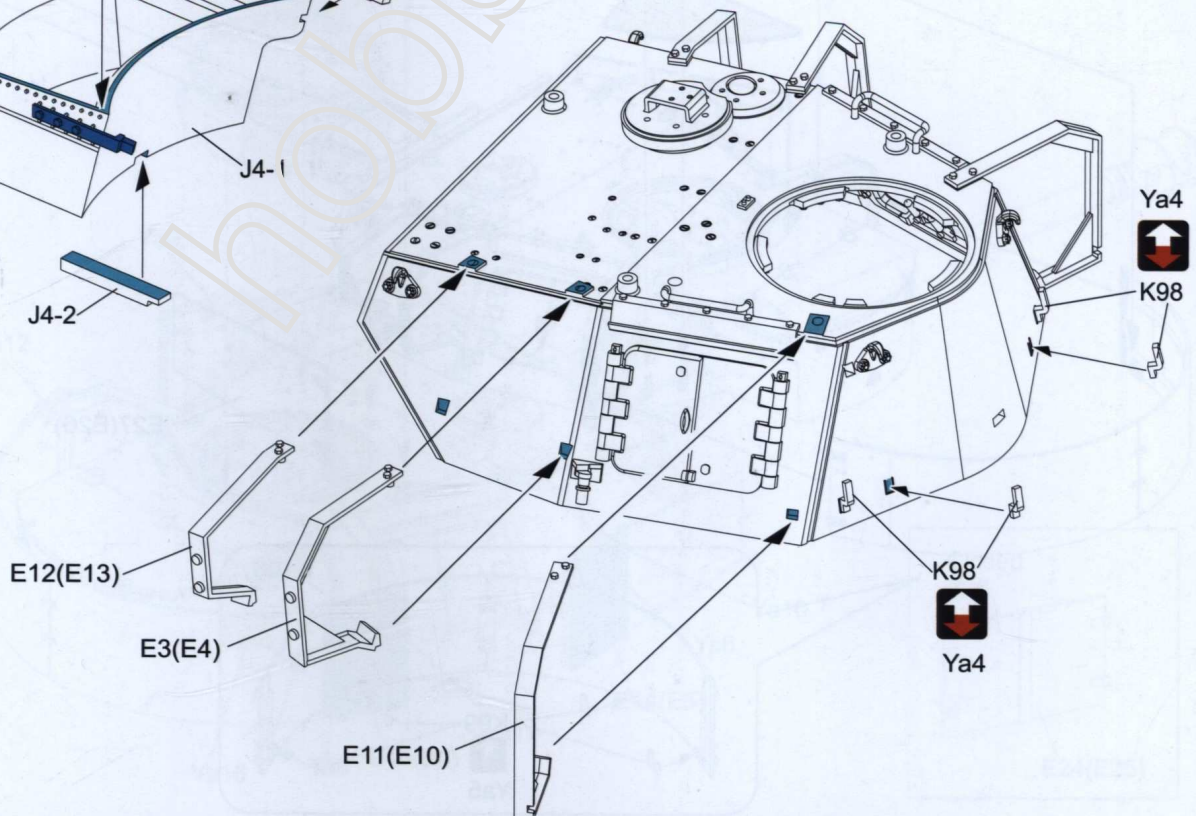
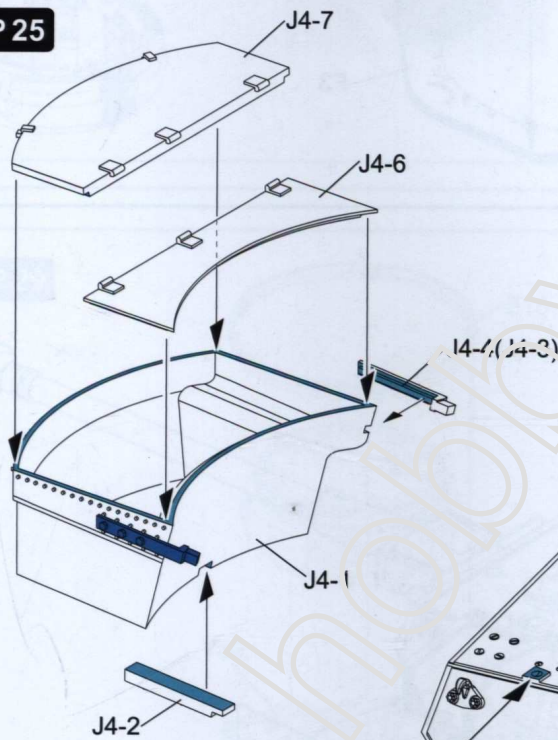


**STEP 24**

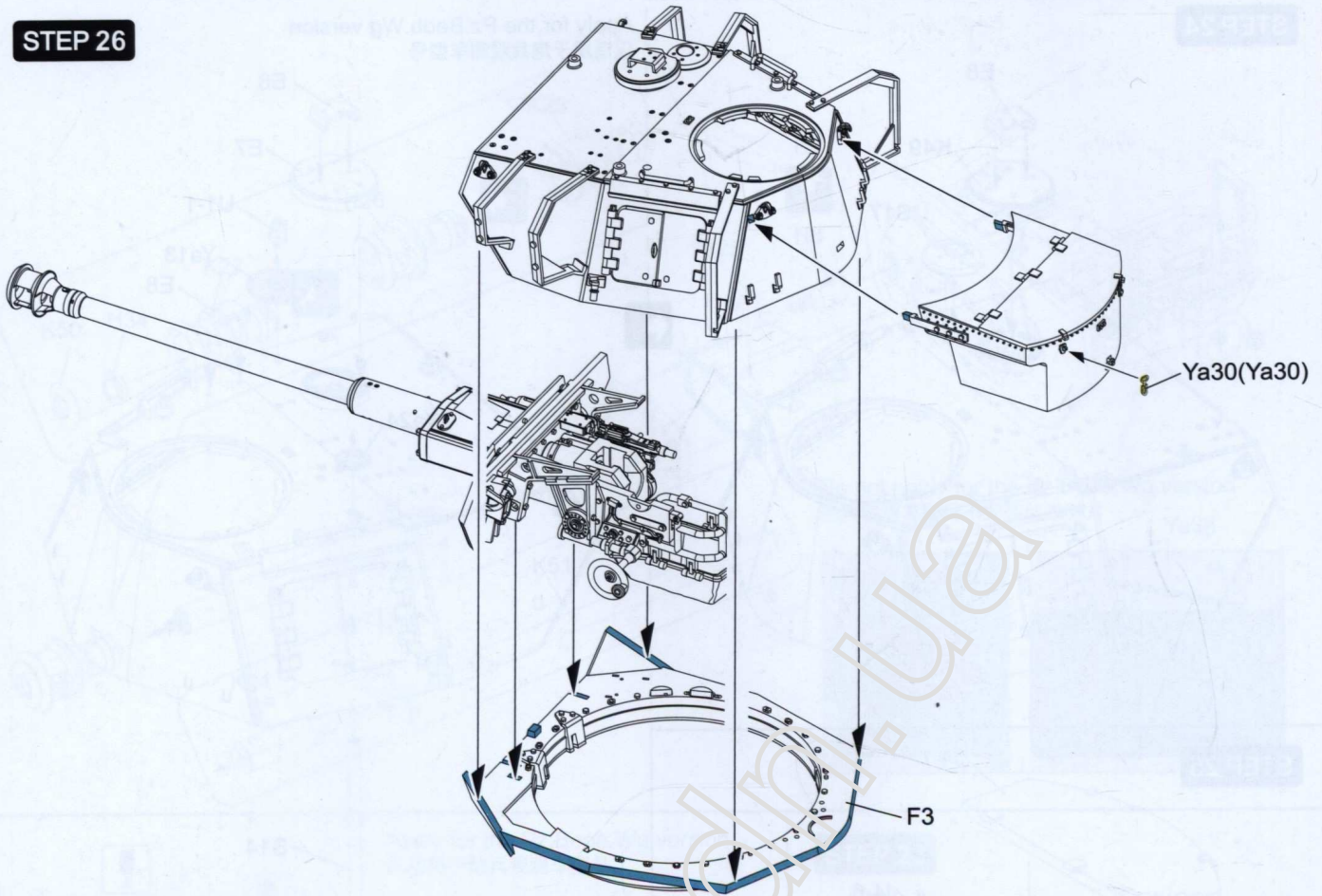
Apply for the Pz.Beob.Wg version  
仅适用于炮兵观测车型号



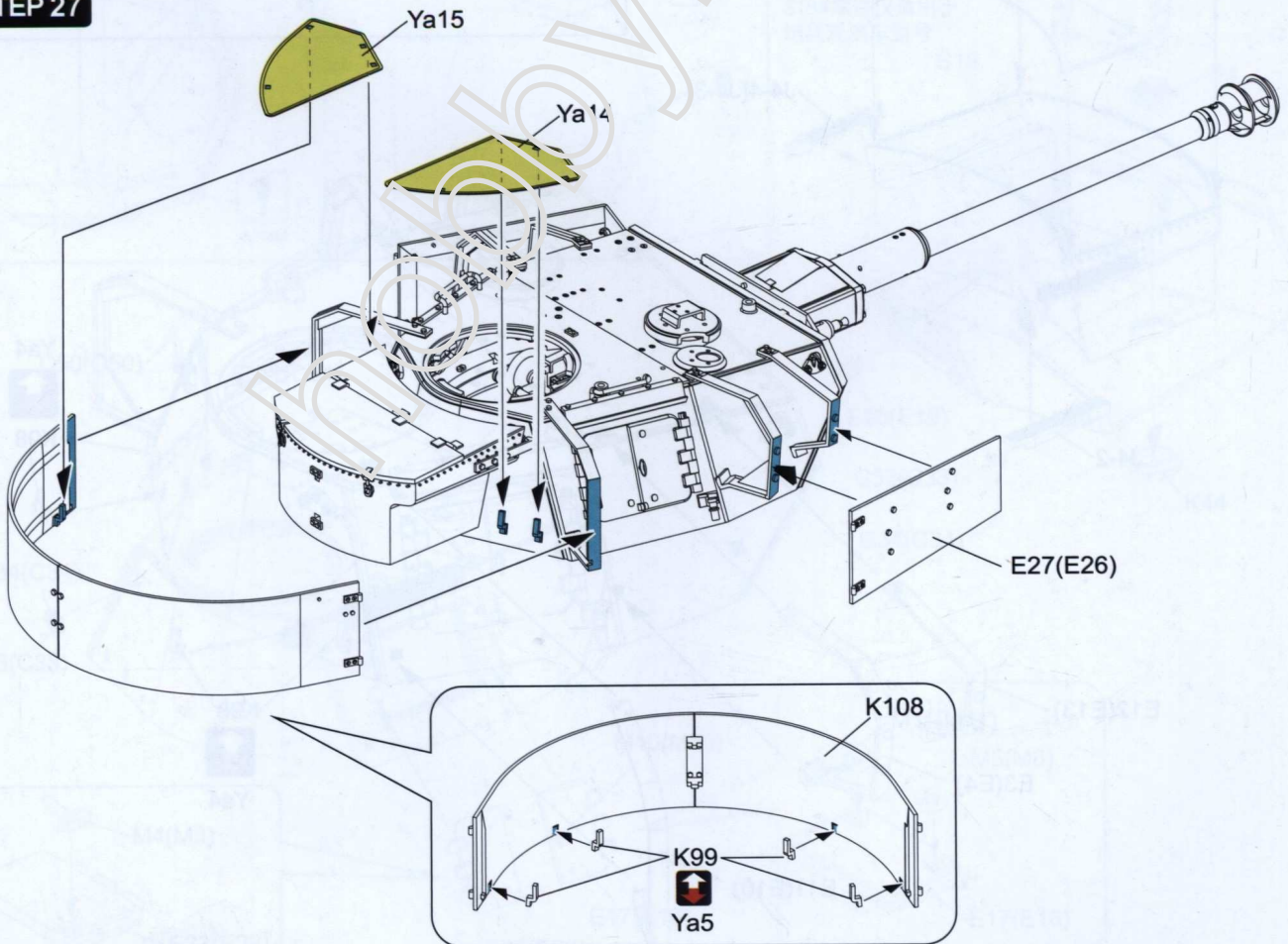
**STEP 25**



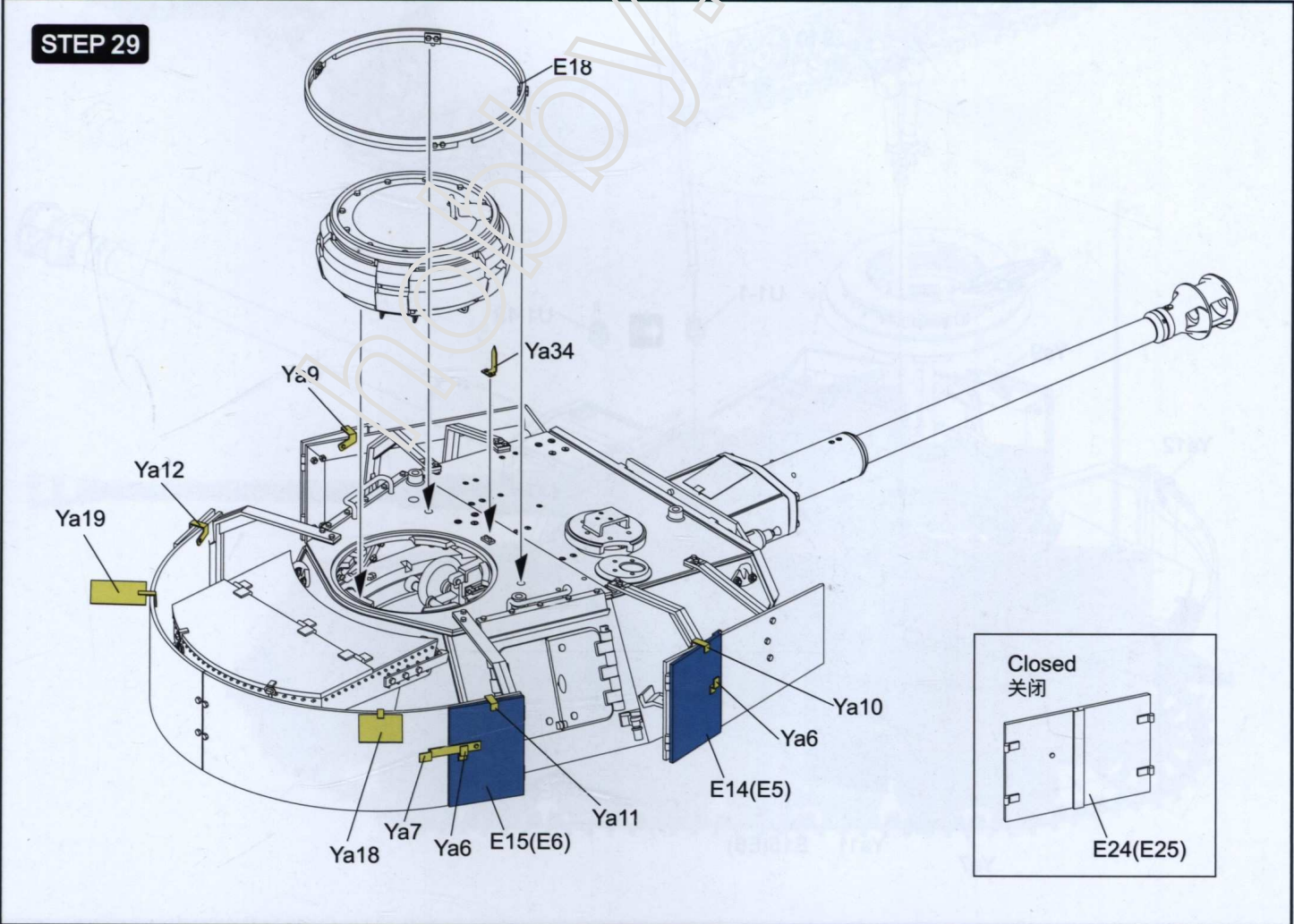
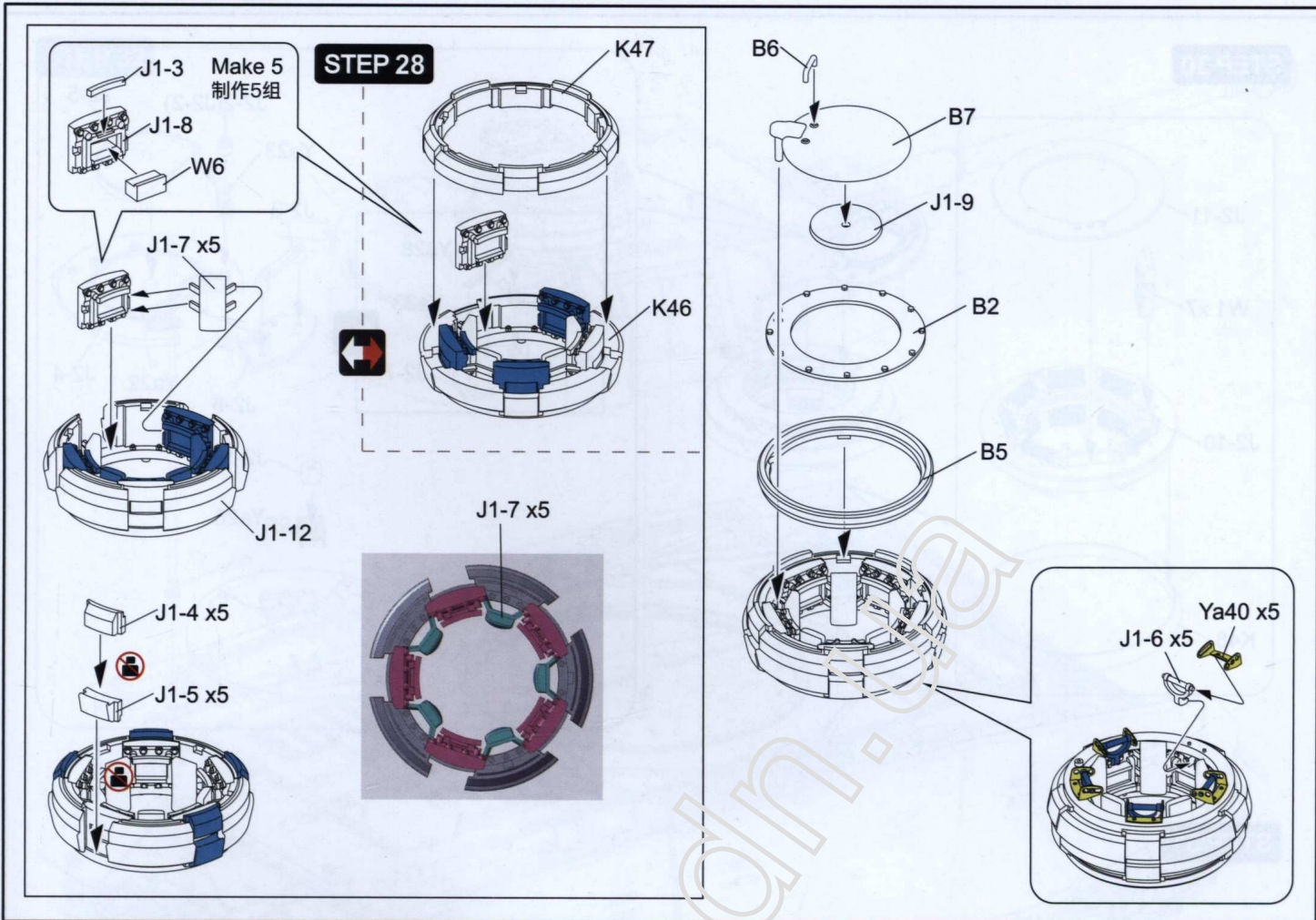
STEP 26



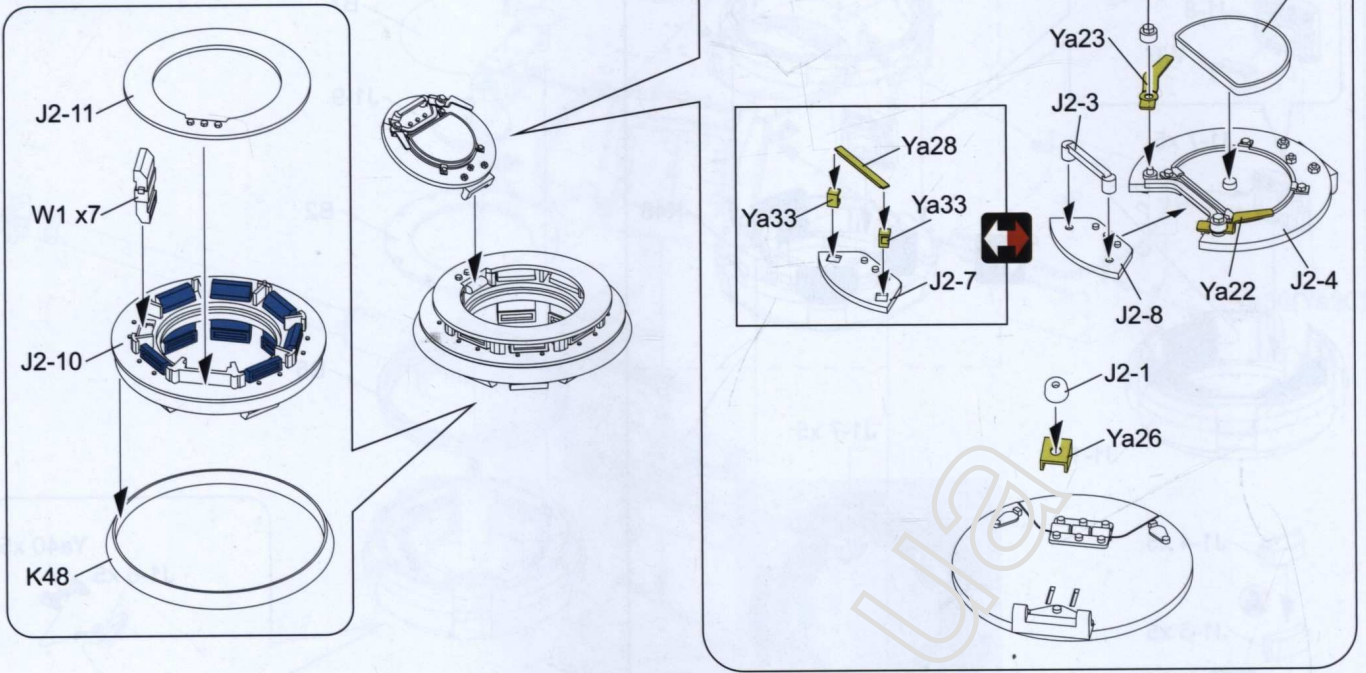
STEP 27



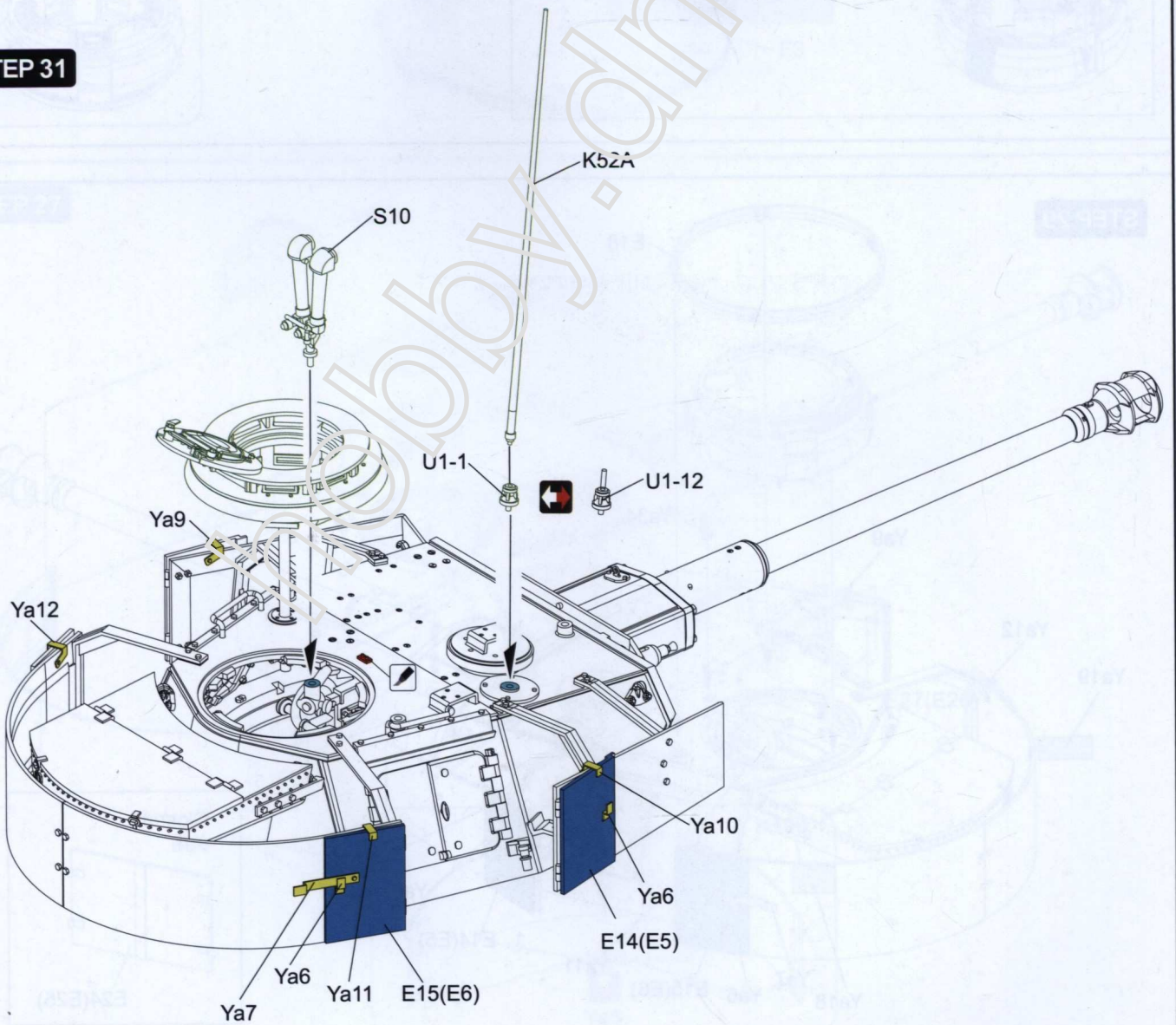




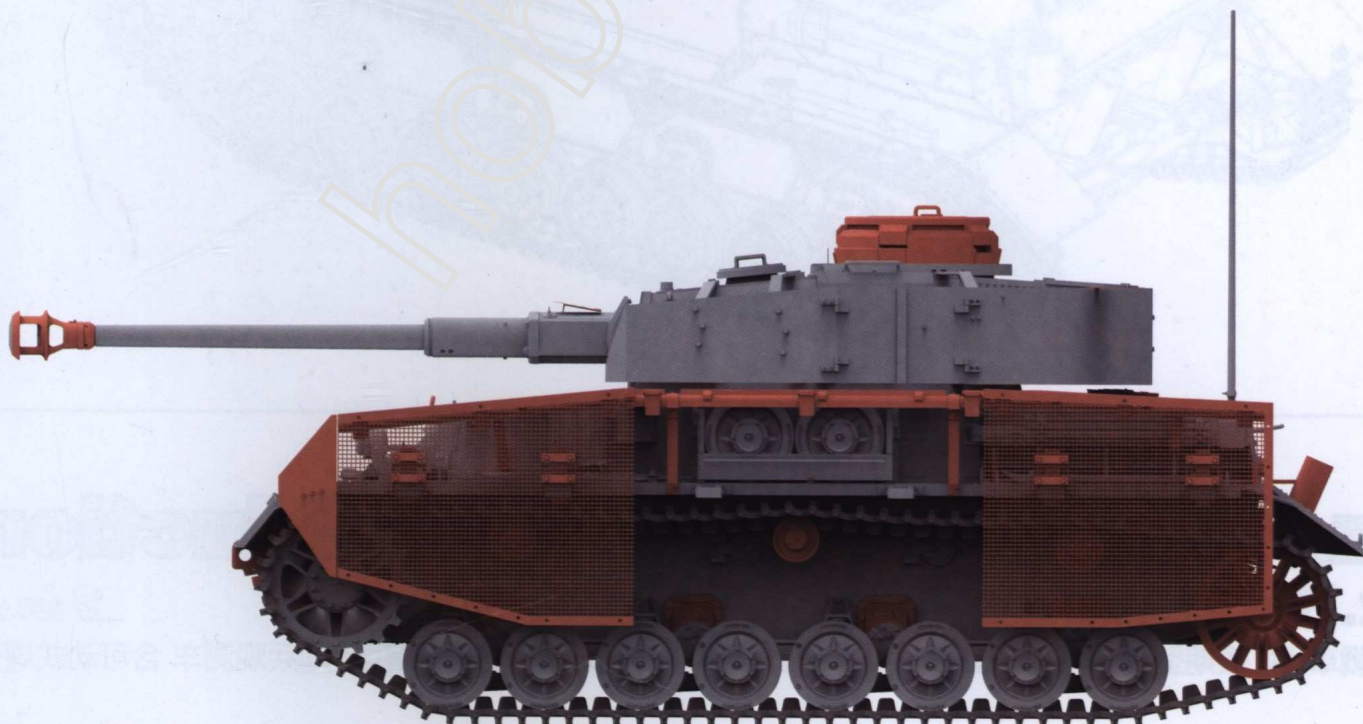
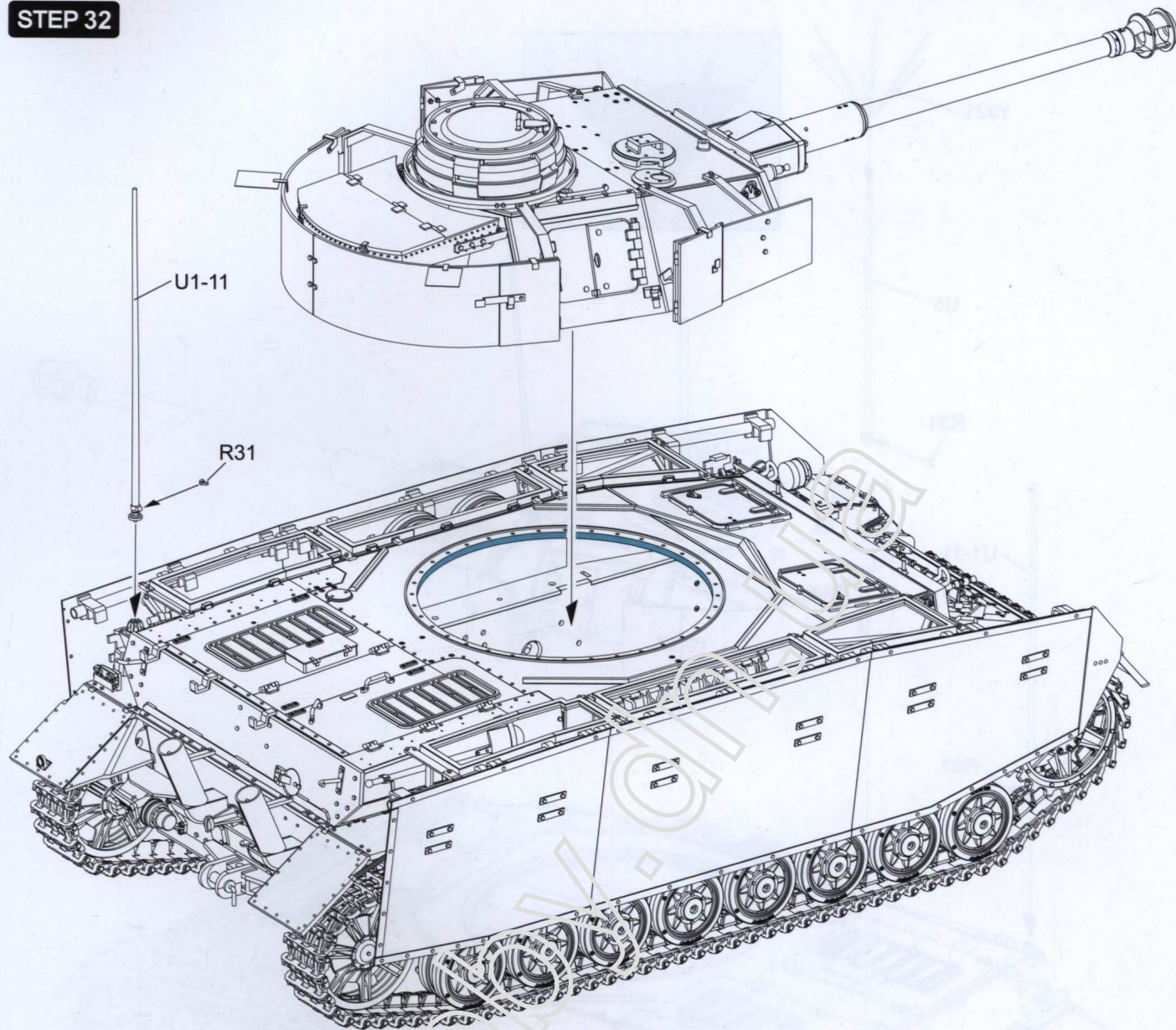
**STEP 30**

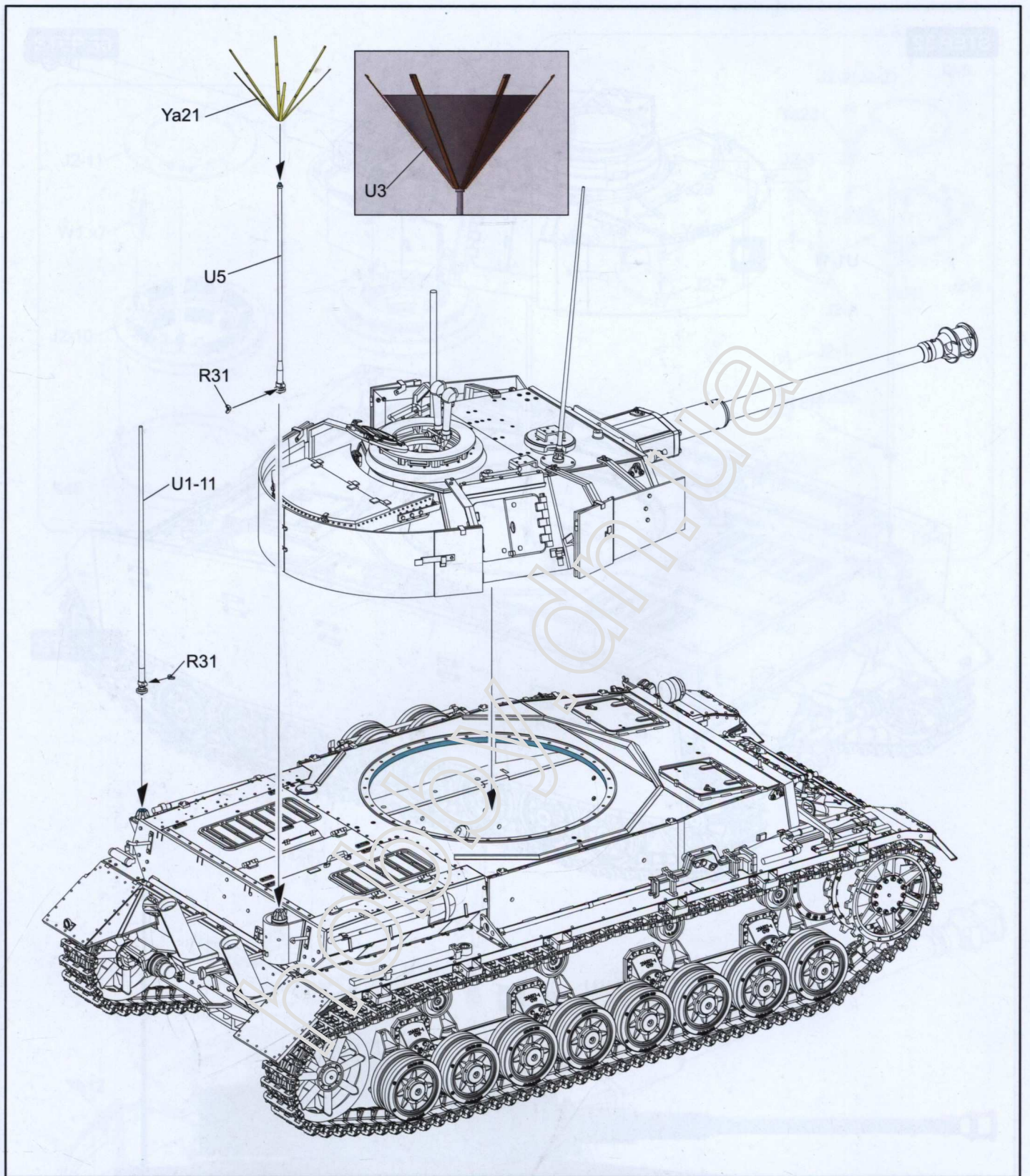


**STEP 31**



STEP 32





# Pz.Kpfw.IV Ausf.J Late Production

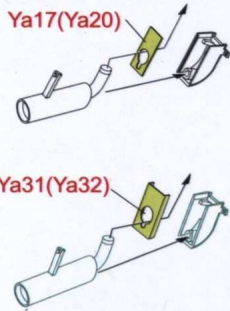
**Pz.Beob.Wg.IV Ausf.J** w/workable track links

*2 in 1*

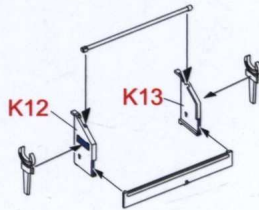
IV号戦車 J型 後期型/観測戦車 w/連結組立可動式履帯 IV号坦克 J型 最后期型/炮兵观测车 含可动式履带

**Correction of mistakes for the parts 零件编号错误的修正**

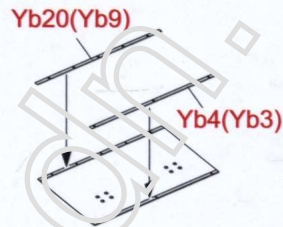
The Step5 on page11  
第11页step5



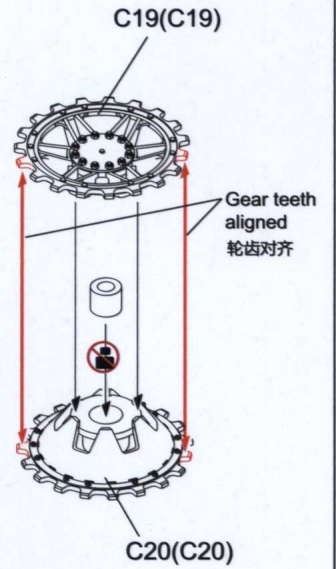
The Step16 on page18  
第18页step16



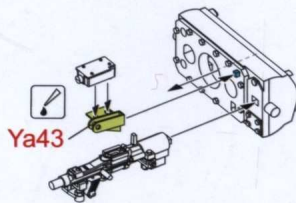
The Step20 on page20  
第20页step20



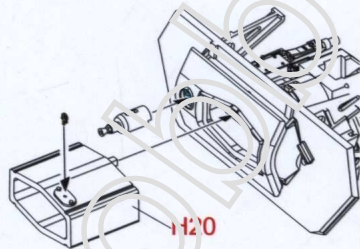
The Step 8 on page13  
第13页step8



The Step21 on page21  
第21页step21



The Step22 on page22  
第22页step22



The Step27 on page24  
第24页step27

