

1/35 SCALE

5036

Military Miniature Series



Pz.Kpfw.VI (7.5cm) Ausf.B (VK36.01)

ASSEMBLY ICONS



OPTIONAL
选择



CEMENT
膠水



DO NOT CEMENT
不使用膠水



INSTANT CEMENT
瞬間接著劑



BEND
彎折



MAKE 2
製作2組



OPEN HOLE
鑽孔



REMOVE
切除



BE CAREFUL
注意



APPLY DECAL
貼上水貼紙

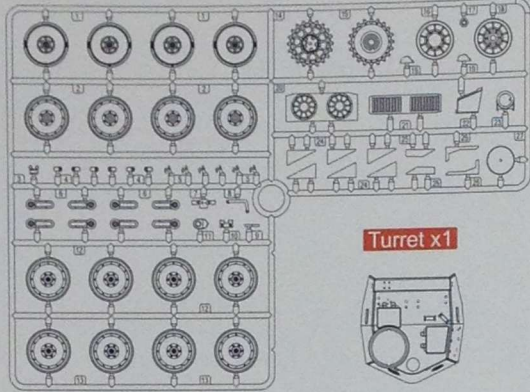
CAUTION!

Read carefully and fully understand the instructions before commencing assembly.
Supervising adult should also read the instructions if a child assembles the model.
When you used glue or paint, do not use near a naked flame, and use in a well-ventilated room.
When assembling this kit, tools including knives are used. Extra care should be taken to avoid personal injury.
Read and follow the instructions supplied with paints and/ or cement. Use plastic cement and paints only.
Keep out of reach of small children. Children must not be allowed to suck any part, or pull vinyl bag over the head.

在裝配前仔細閱讀說明並完全理解。小孩裝配時需成人看護且需仔細閱讀說明。
使用膠水和油漆時，應遠離火源並打開窗戶保持空氣流通。
製作時請格外注意工具刀和零件的鋒利尖銳部分，避免對身體造成傷害。
在使用膠水和油漆前仔細閱讀注意事項，按照說明正確使用膠水和油漆。
請將本品放在兒童接觸不到的地方，套件中的塑膠包裝袋會對兒童造成窒息的危險。

PARTS・部品图

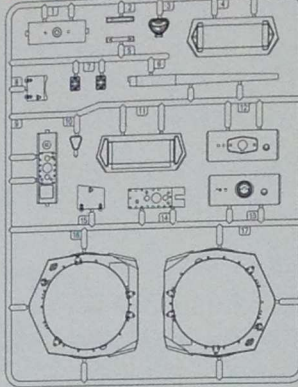
A x2



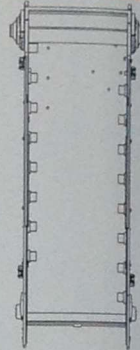
Turret x1



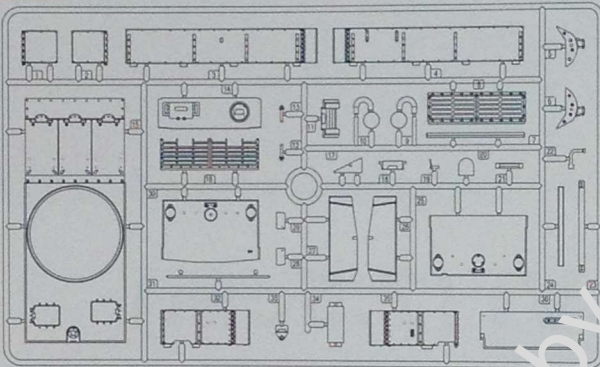
C x1



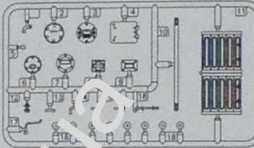
Lower Hull x1



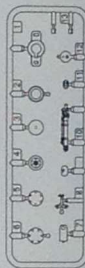
B x1



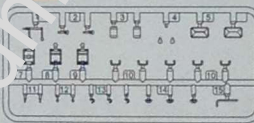
K x2



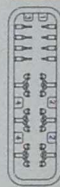
P x1



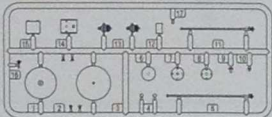
L x2



Y1 x4



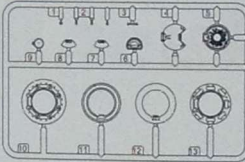
U x1



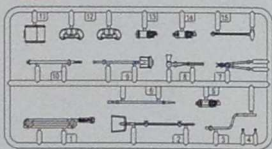
U1 x1



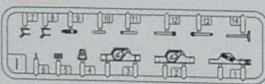
J2 x1



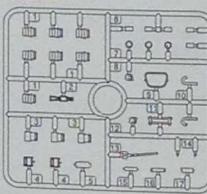
T x1



I x1



W x1



Decal x1



S x1

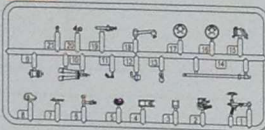
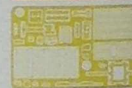
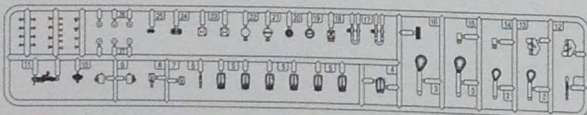


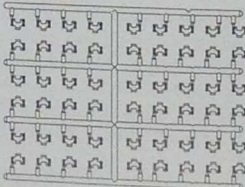
Photo-etched x1



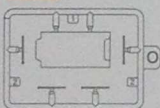
R x2



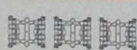
Y x4



O x1











Track B Links 2 x20

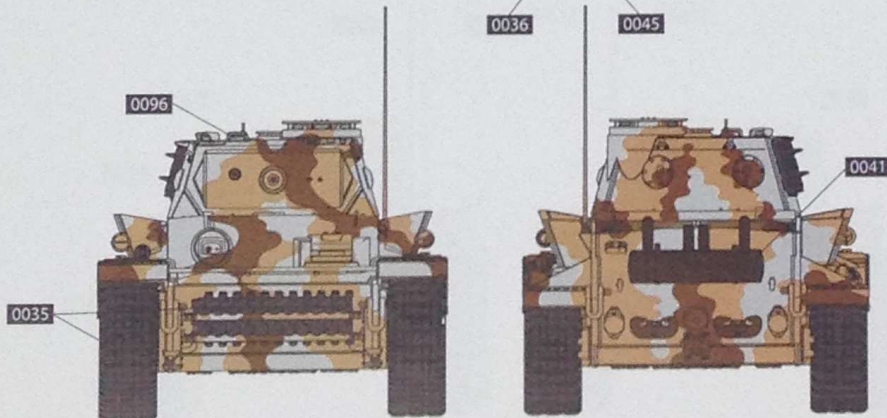
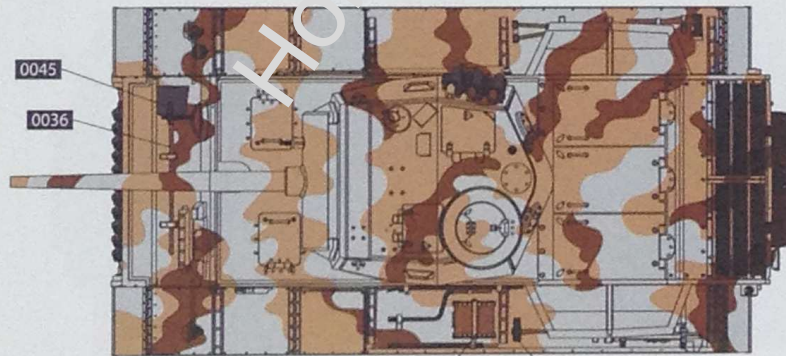
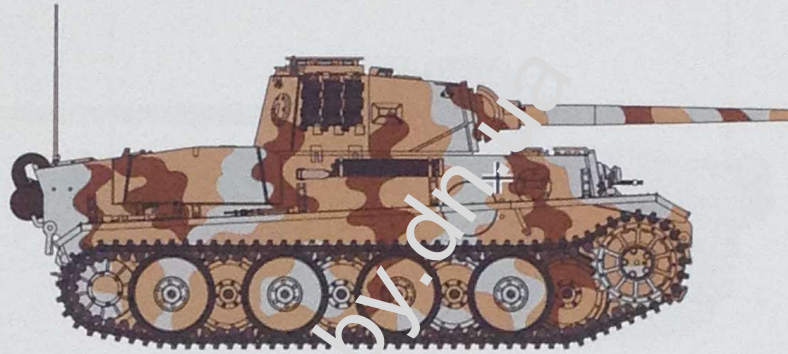
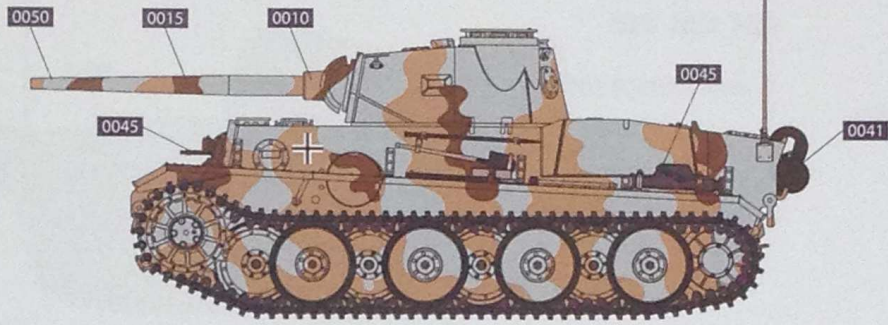


Track A Links x200



PAINTING AND MARKING GUIDE

 A.MIG 0035 Dark Tracks	 A.MIG 0036 Old Wood	 A.MIG 0041 Dark Rust
 A.MIG 0045 Gun Metal	 A.MIG 0010 Dunkelgeld	 A.MIG 0096 Crystal Green Periscope
 A.MIG 0015 Schokobraun	 A.MIG 0050 Matt White	



PAINTING AND MARKING GUIDE



A.MIG 0032 Dark Wood

A.MIG 0036 Old Wood

A.MIG 0041 Dark Rust

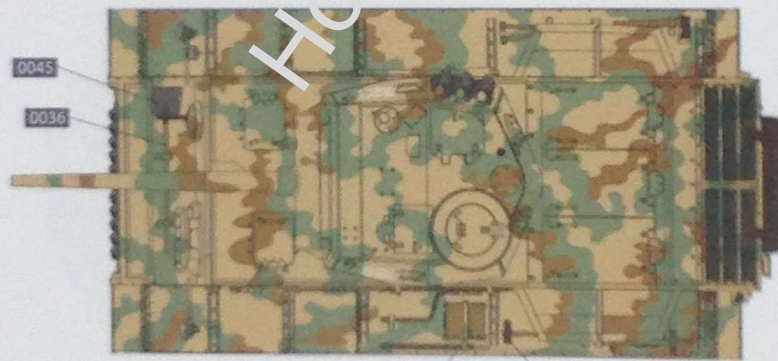
A.MIG 0044 Sun Metal

A.MIG 0019 Dunkelgelb

A.MIG 0095 Crystal Green Fatigue

A.MIG 0015 Schokobraun

A.MIG 0002 Olivgrün Opt.2



PAINTING AND MARKING GUIDE

A.MIG 0035 Dark Tracks

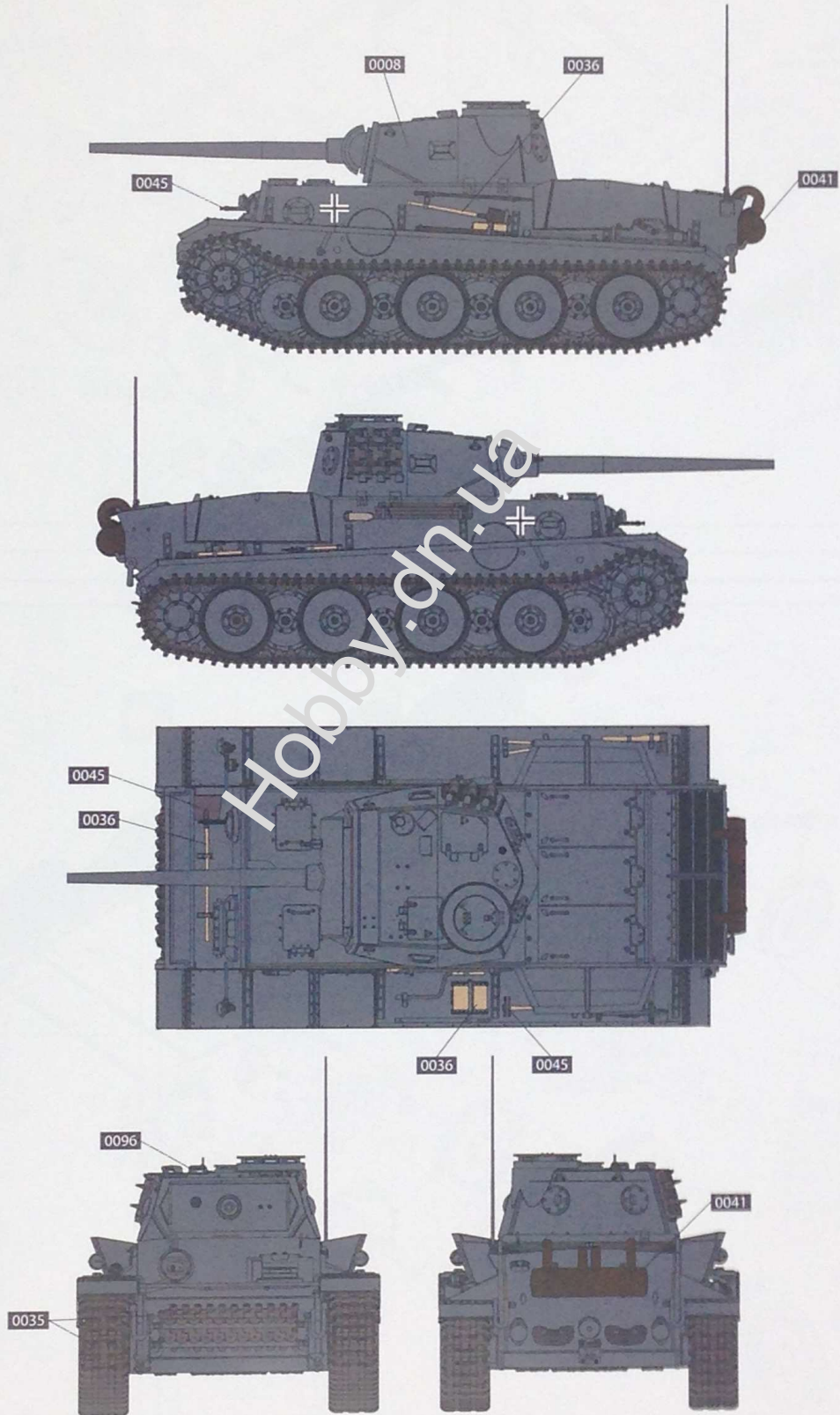
A.MIG 0036 Old Wood

A.MIG 0041 Dark Rust

A.MIG 0045 Gun Metal

A.MIG 0008 Dunkelgrau

A.MIG 0096 Crystal Green Periscope



STEP 1

Fixed the part A11 after adjusting tension of the tracks
调节履带张紧后固定A11



A11(A11)

Q14(Q14)

A21(A21)

K13(K13)

K3(K3)

A6(A6)

K18 (K18)

B13(B12)

K5(K5)

STEP 2

A16(A16)

A18(A18)

U1-7

U1-1

B5(B6)

K1(K1)

A2(A2) x8

Make 8
制作8组

A13

A12

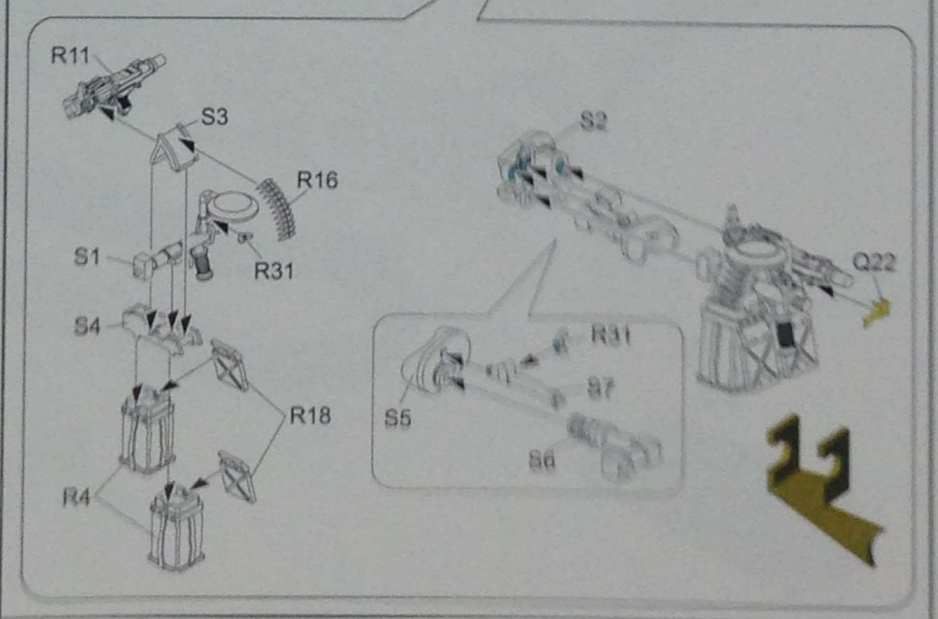
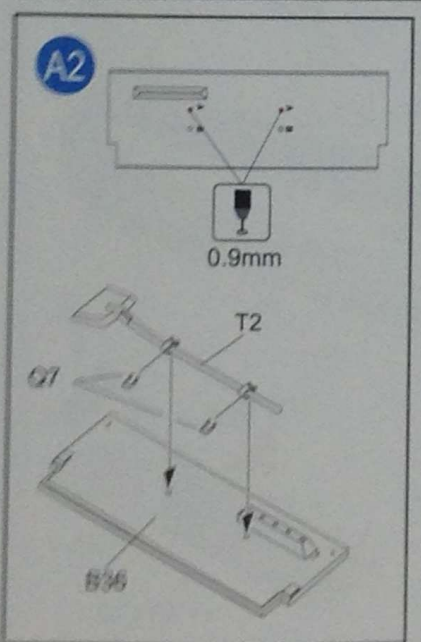
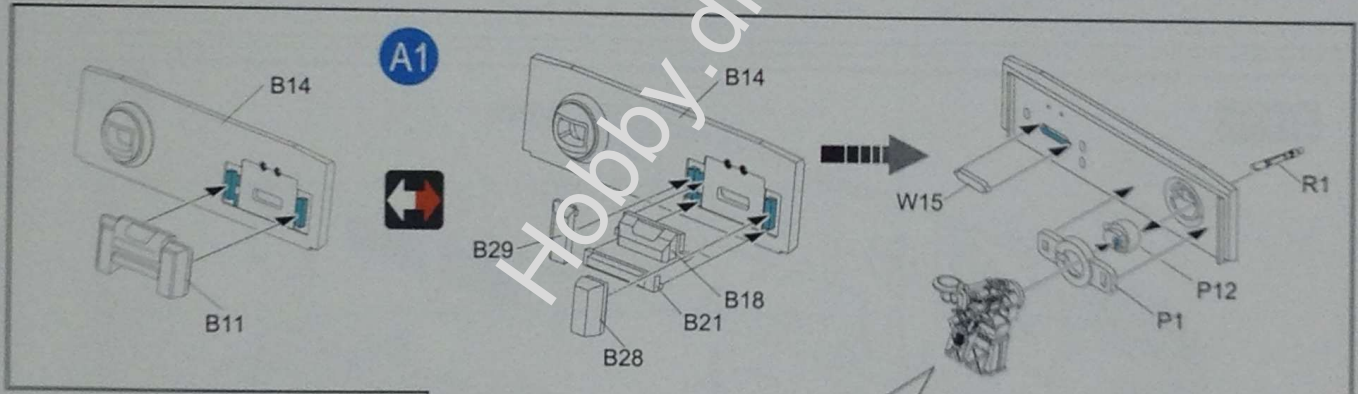
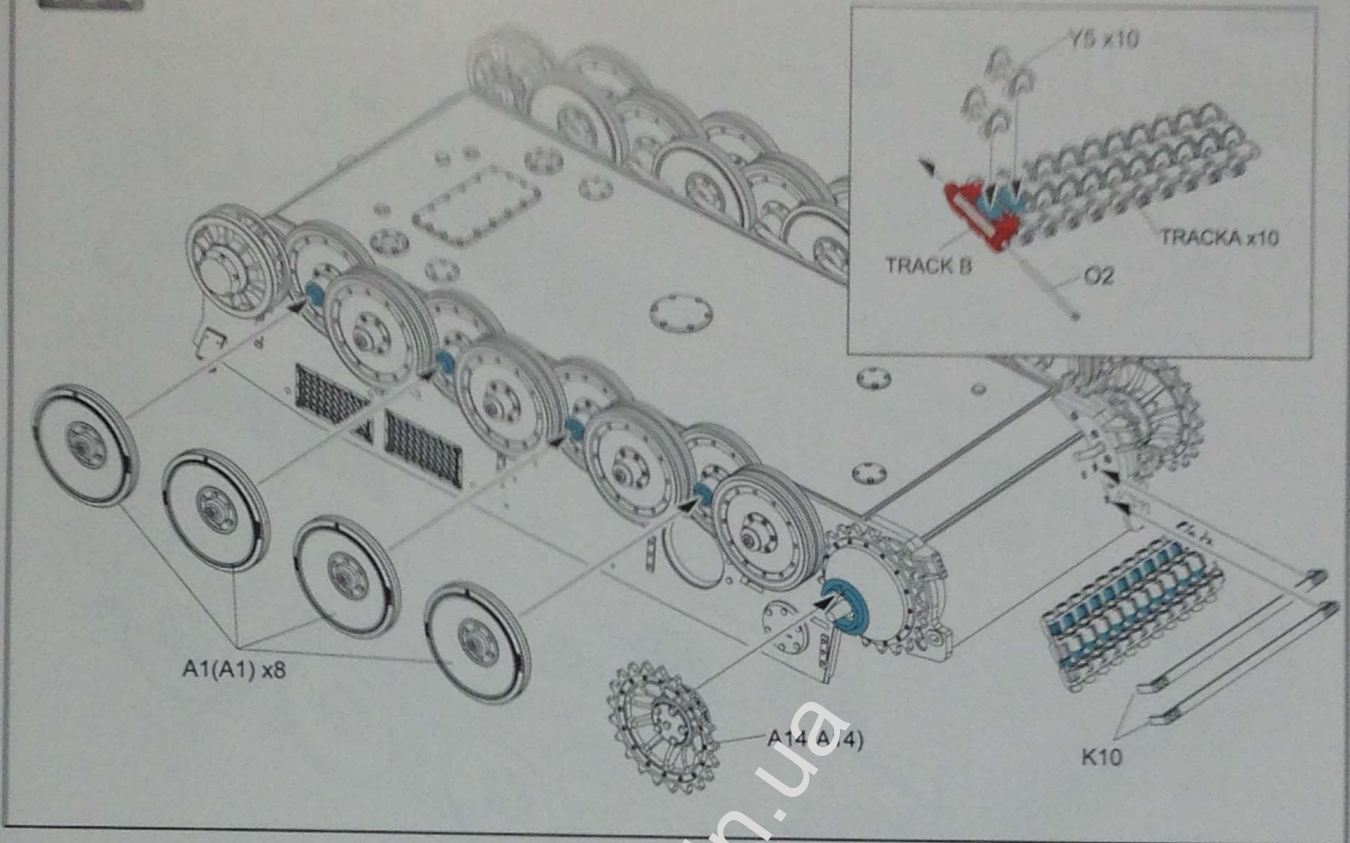
A17(A17)

A15(A15)

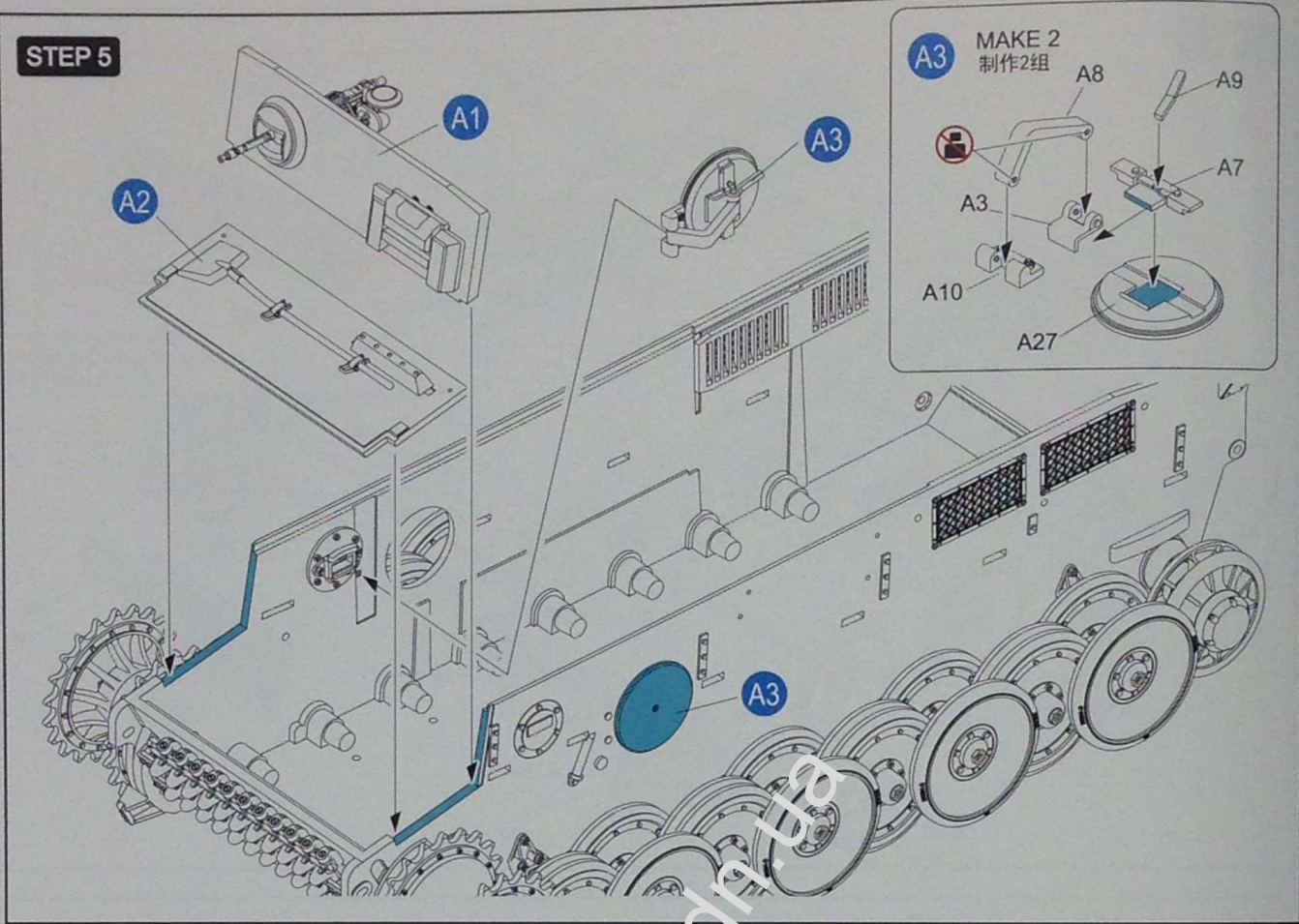
K7(K7)

K2(K2)

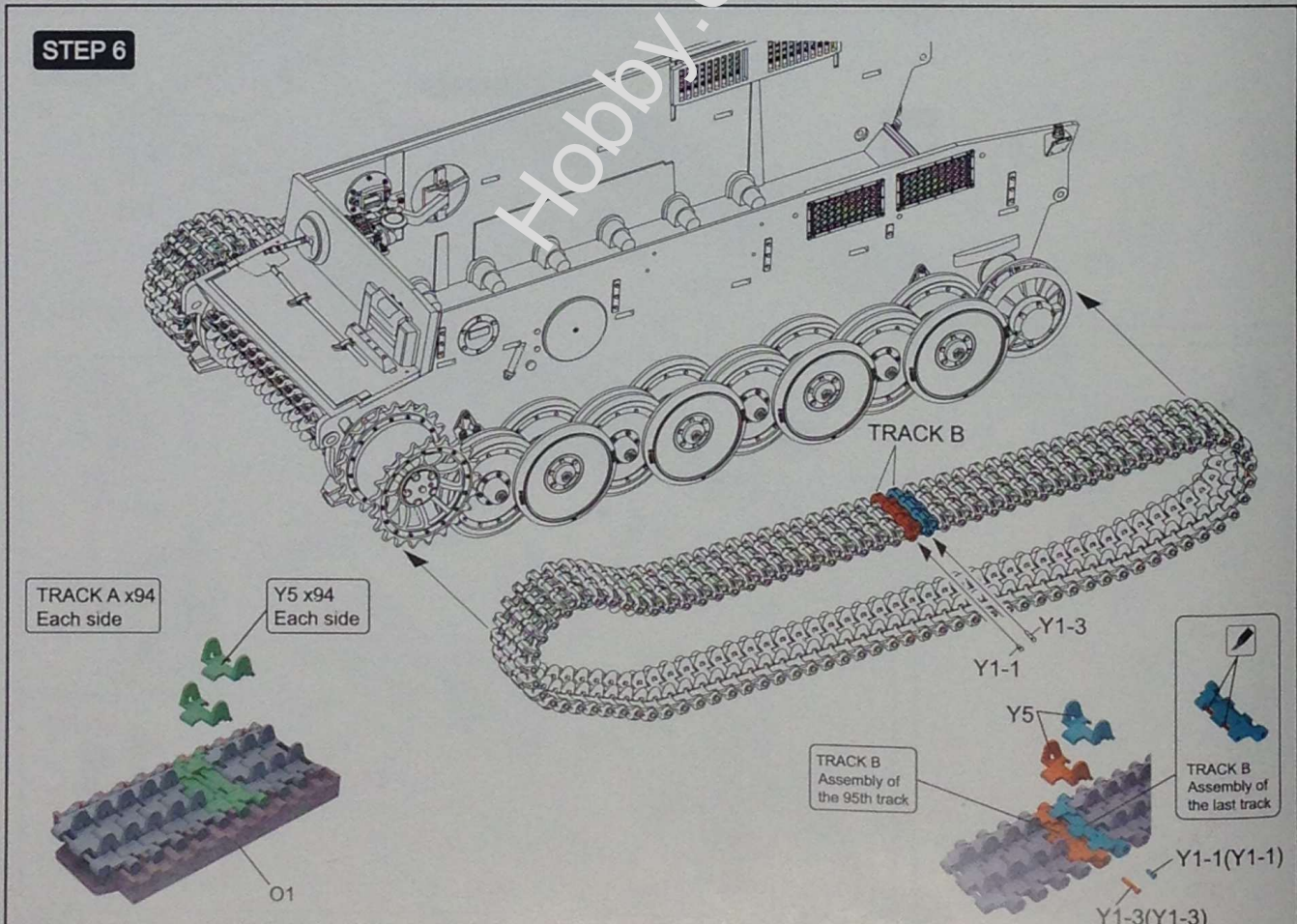
STEP 3



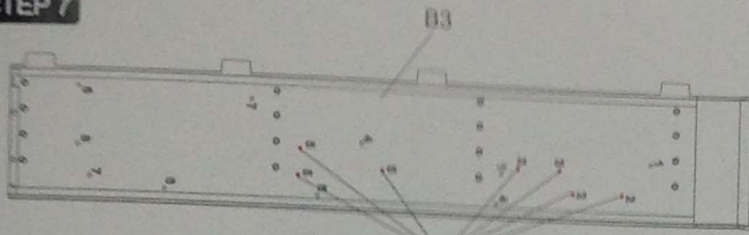
STEP 5



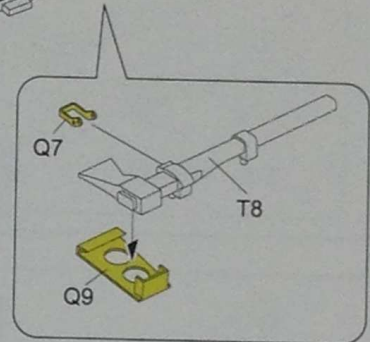
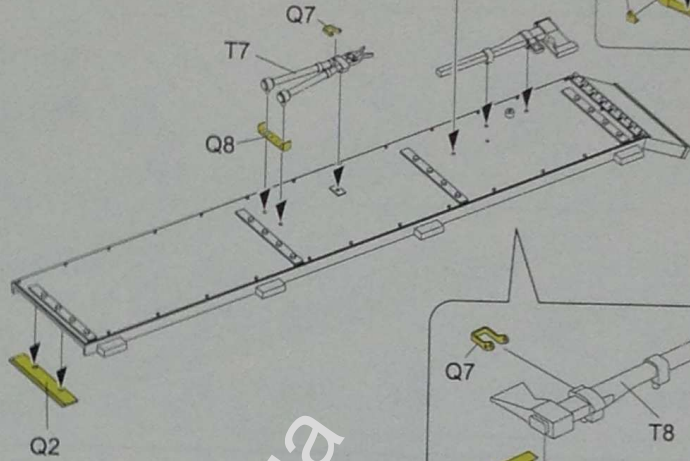
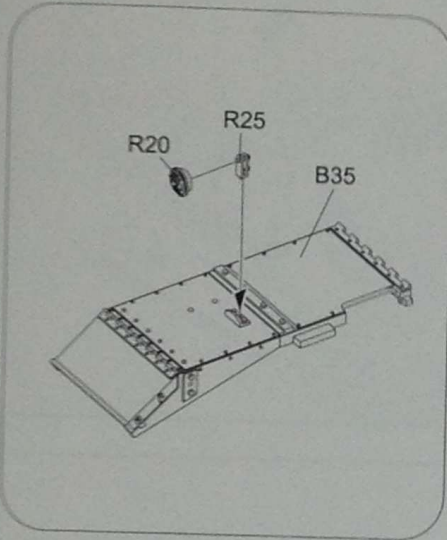
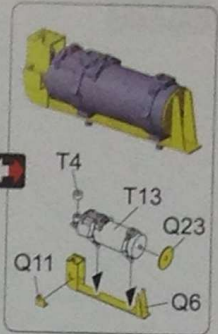
STEP 6



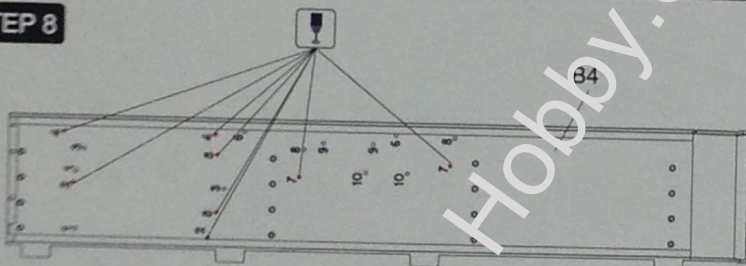
STEP 7



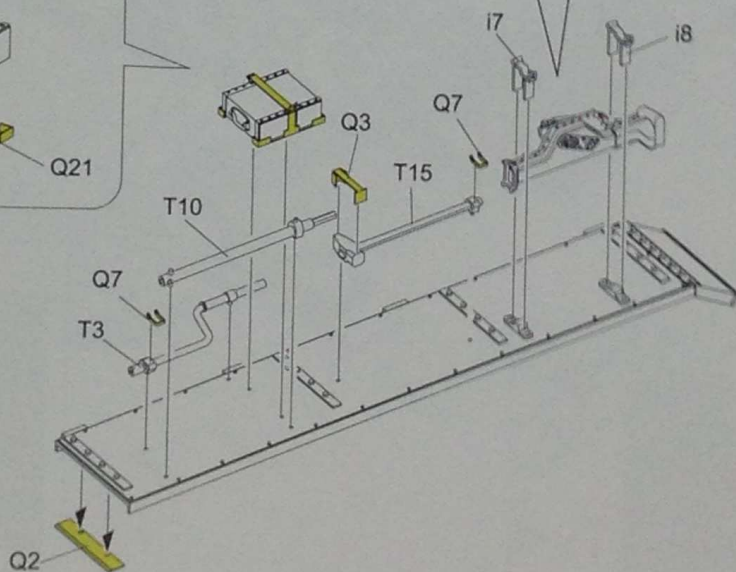
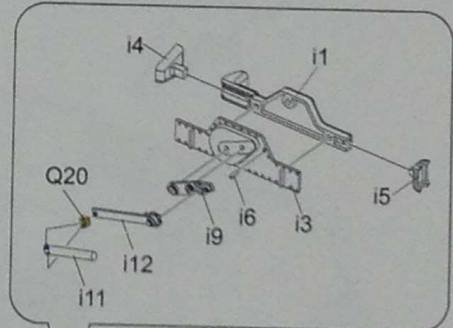
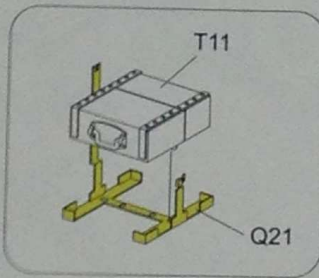
0.8mm



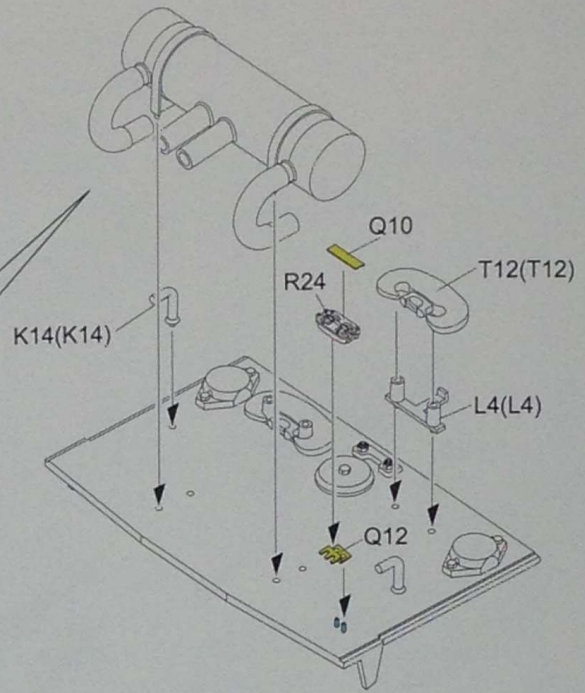
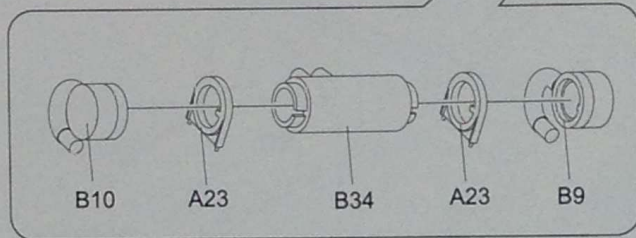
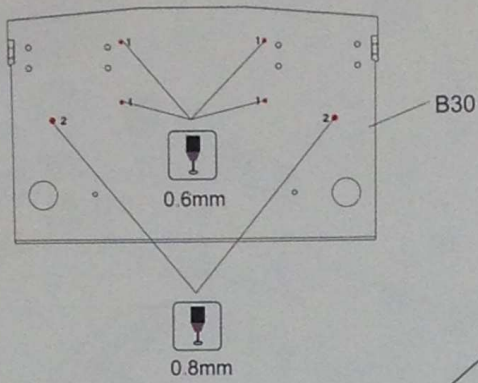
STEP 8



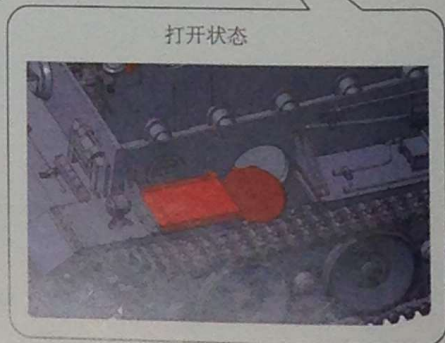
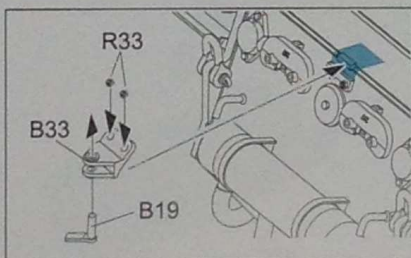
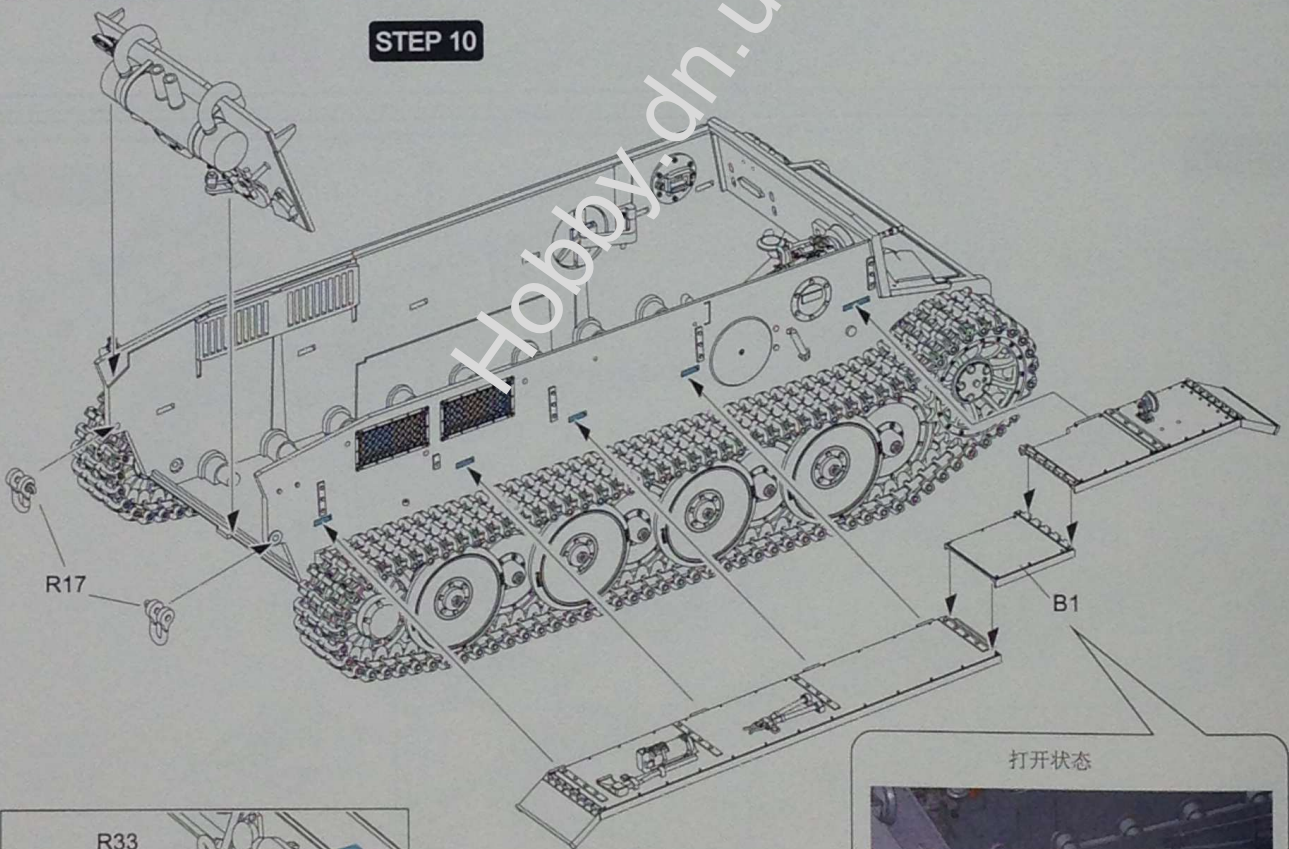
0.8mm



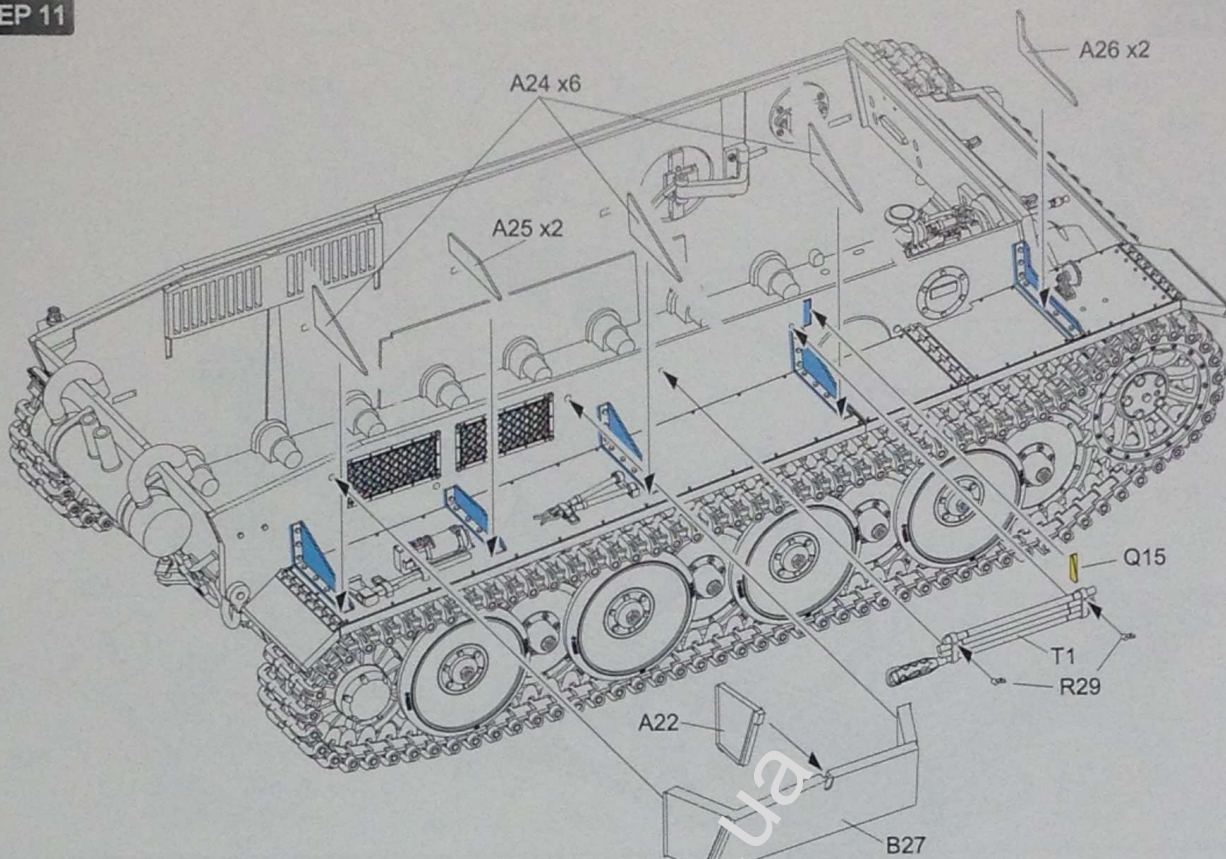
STEP 9



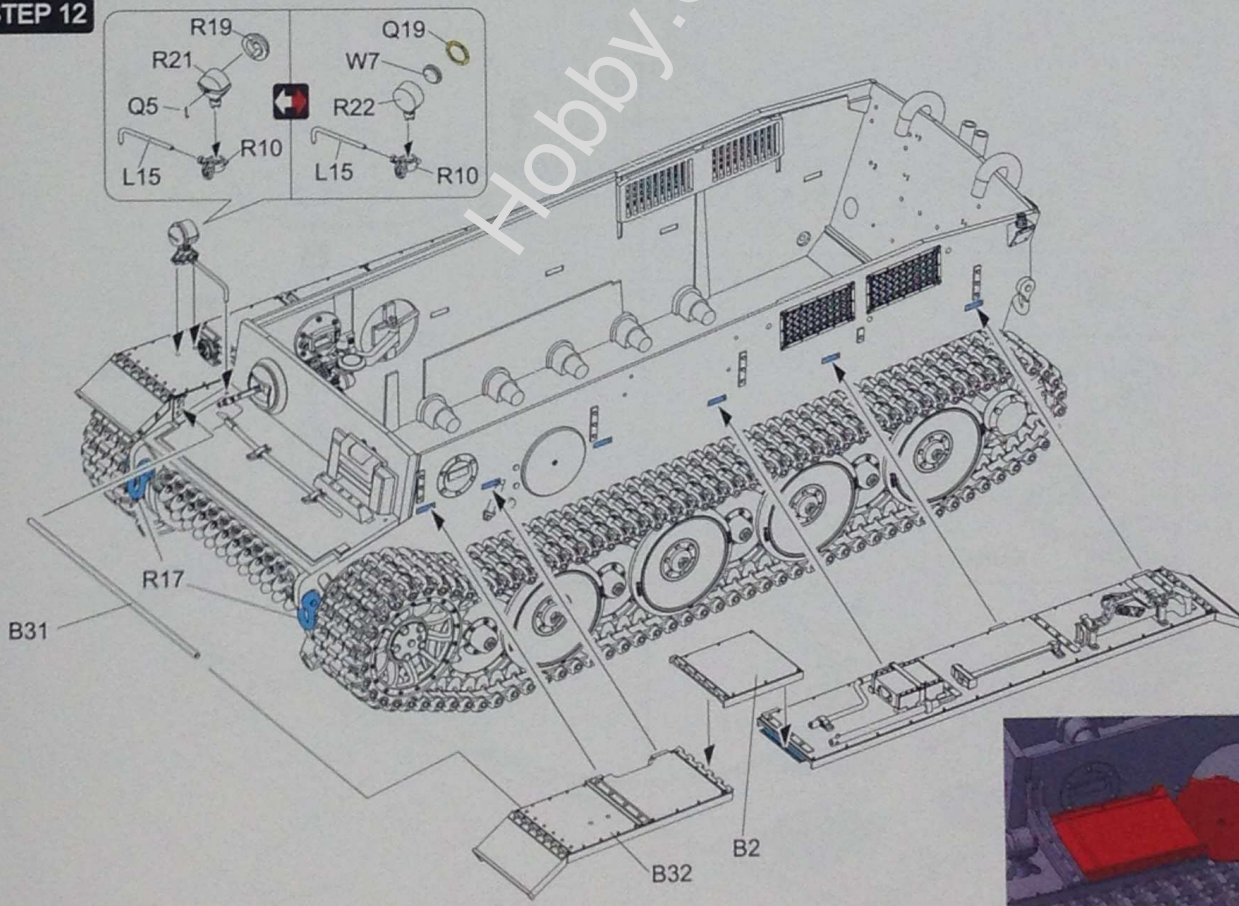
STEP 10



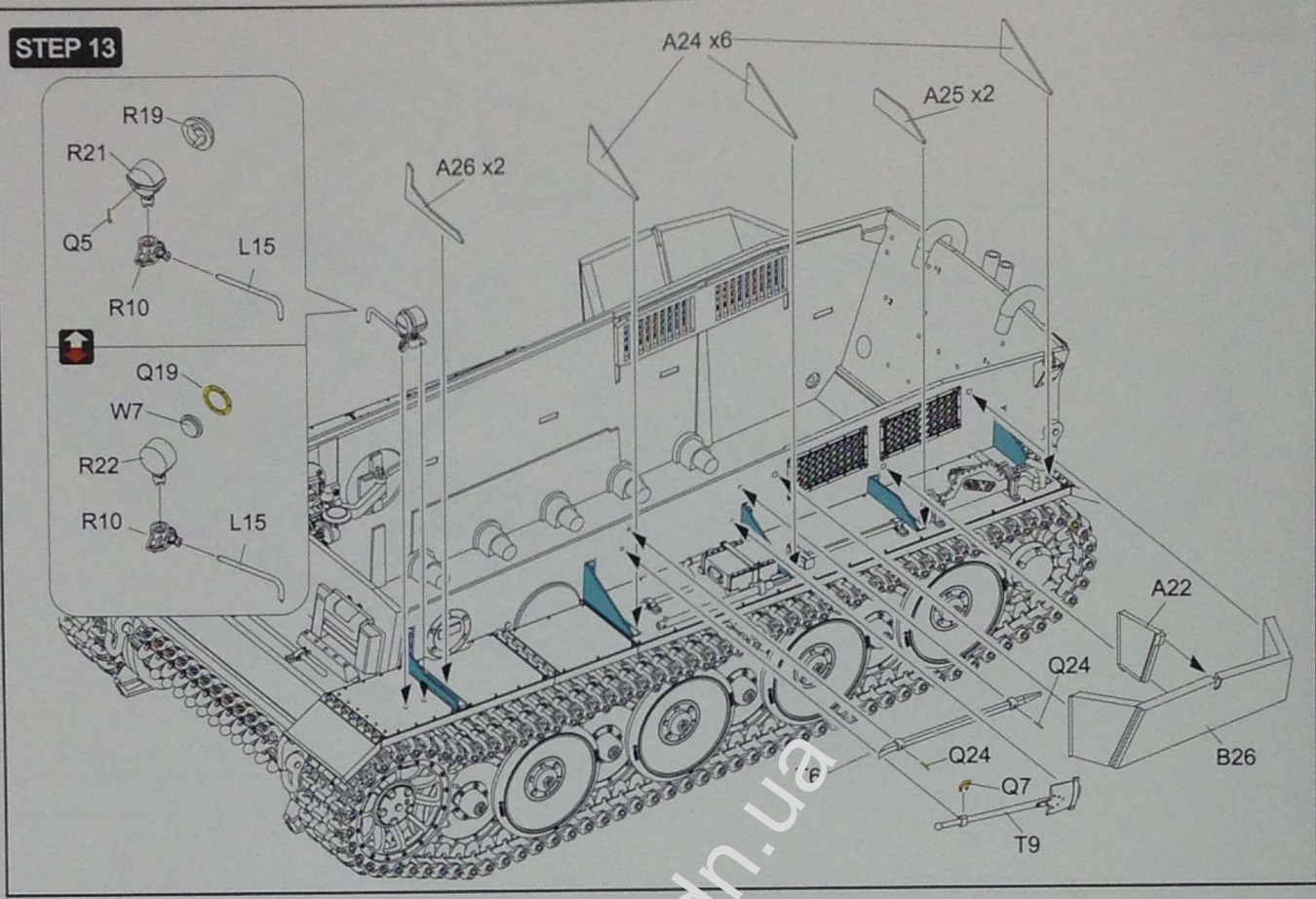
STEP 11



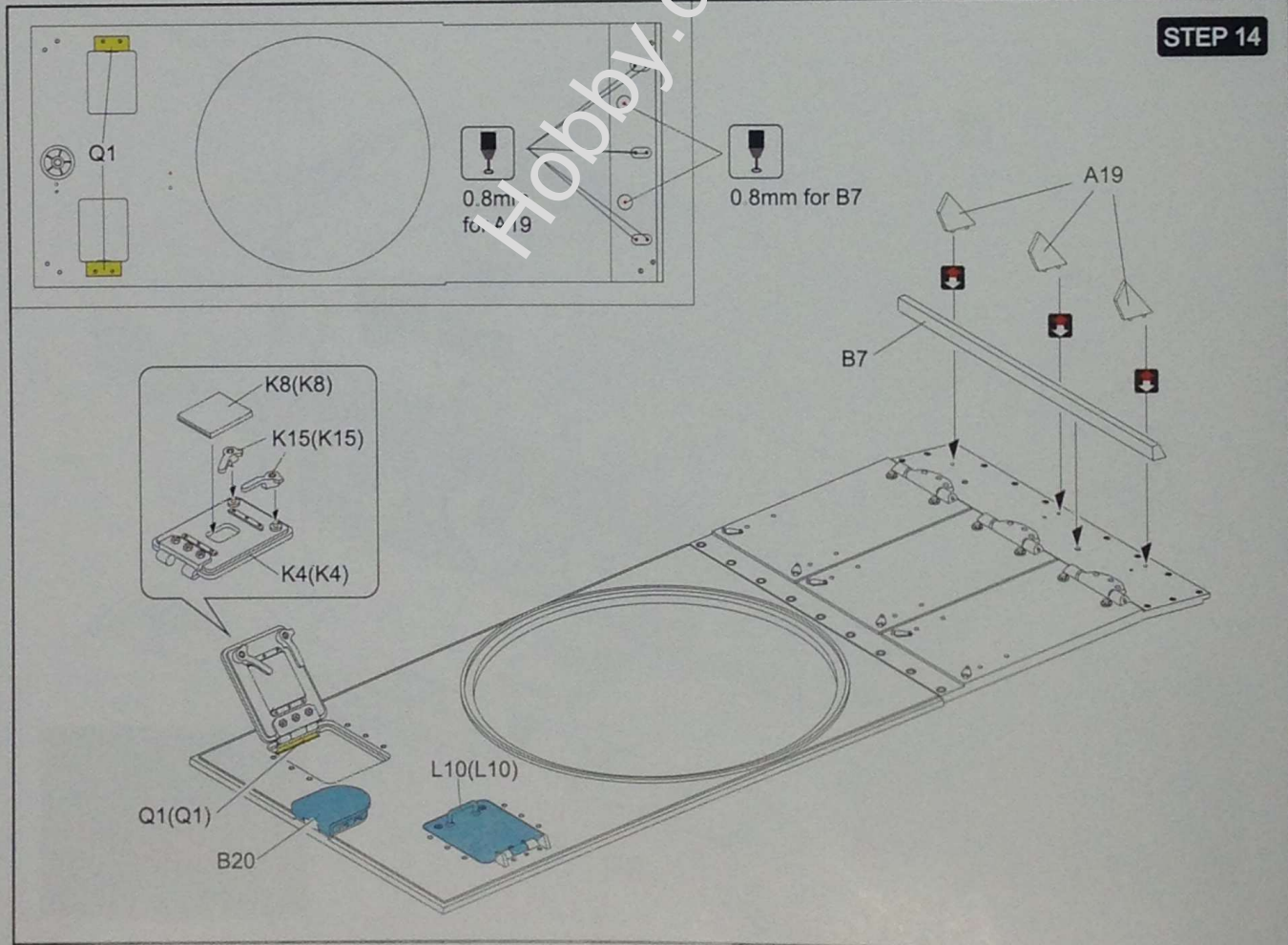
STEP 12



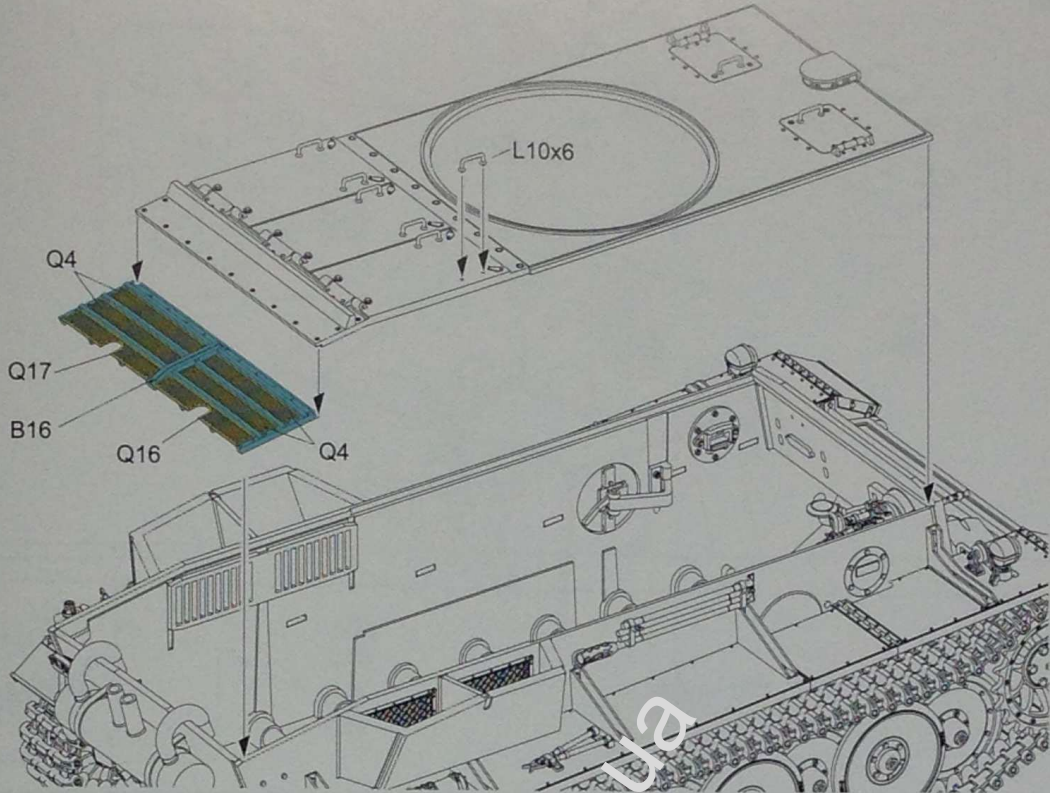
STEP 13



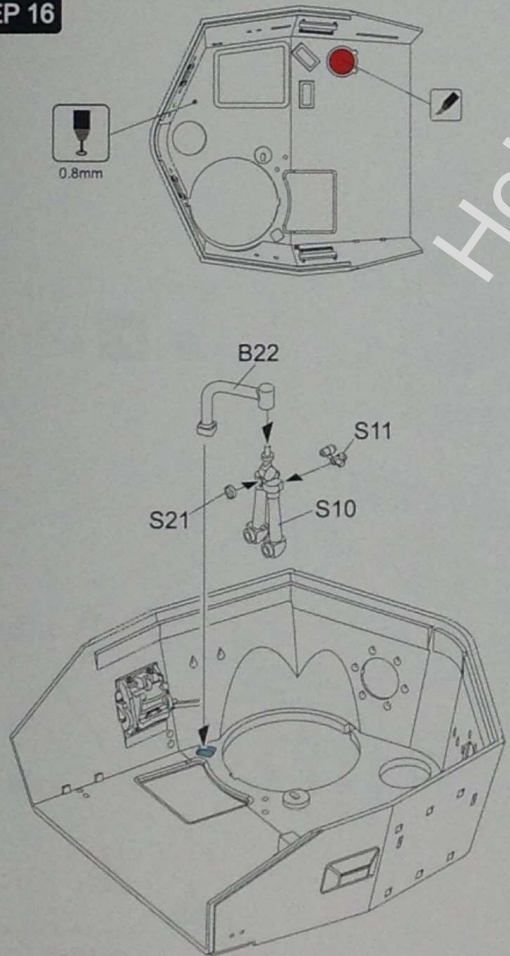
STEP 14



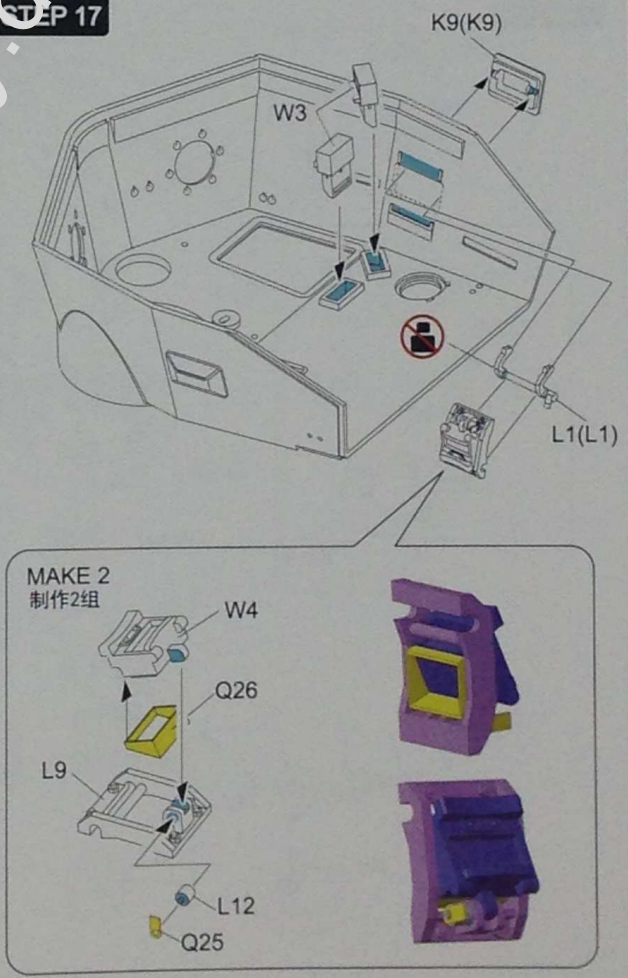
STEP 15



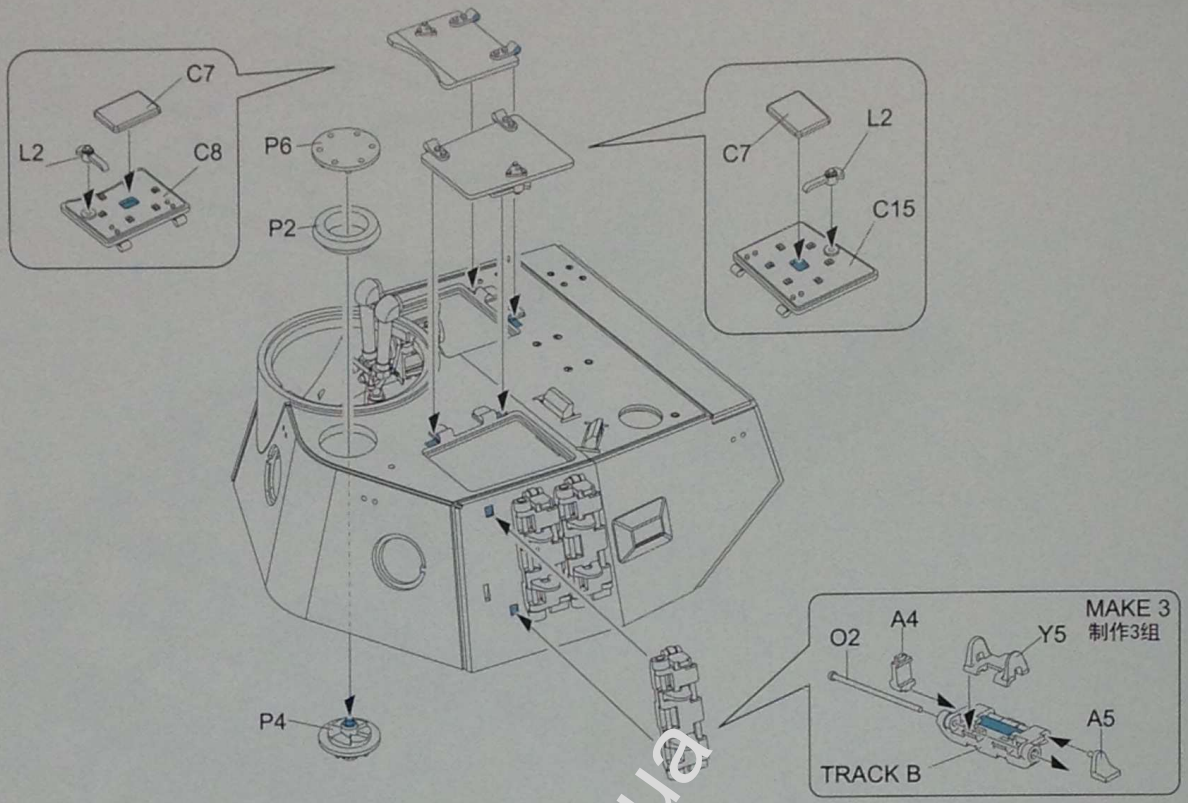
STEP 16



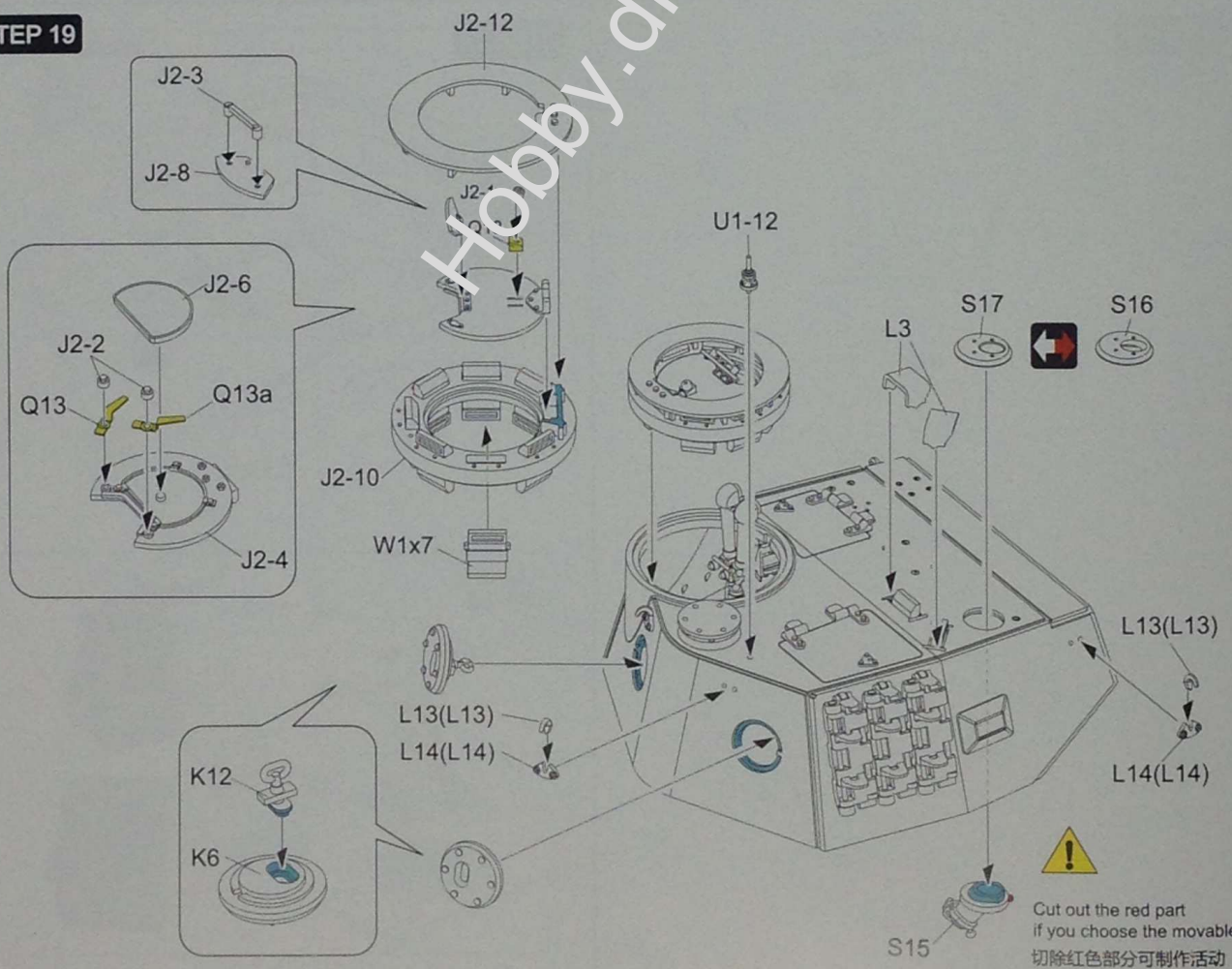
STEP 17



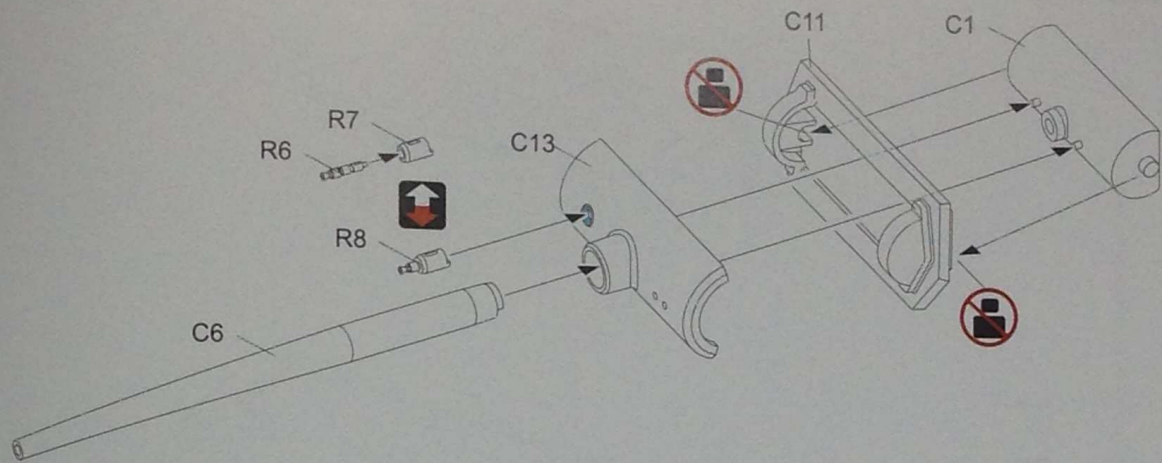
STEP 18



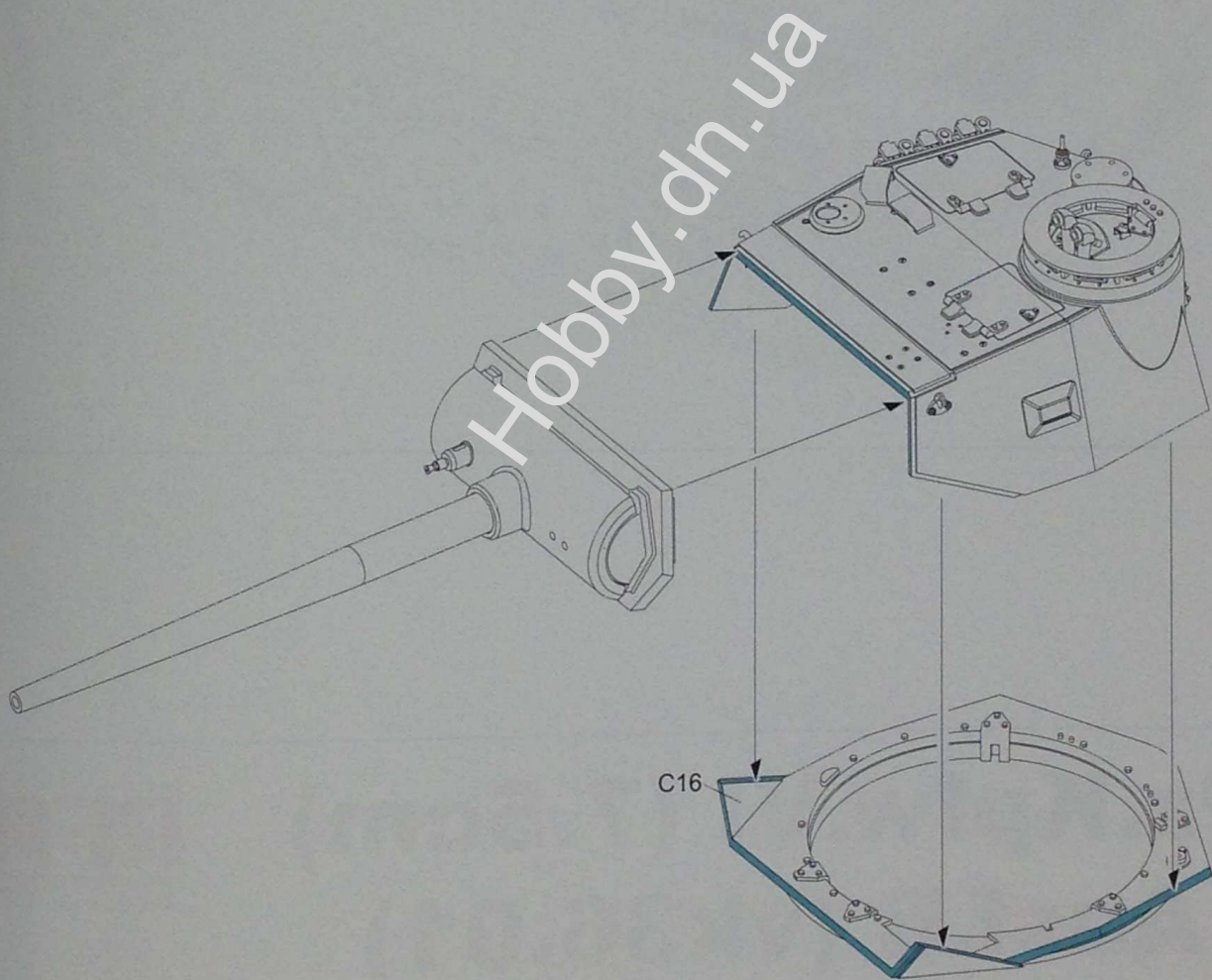
STEP 19



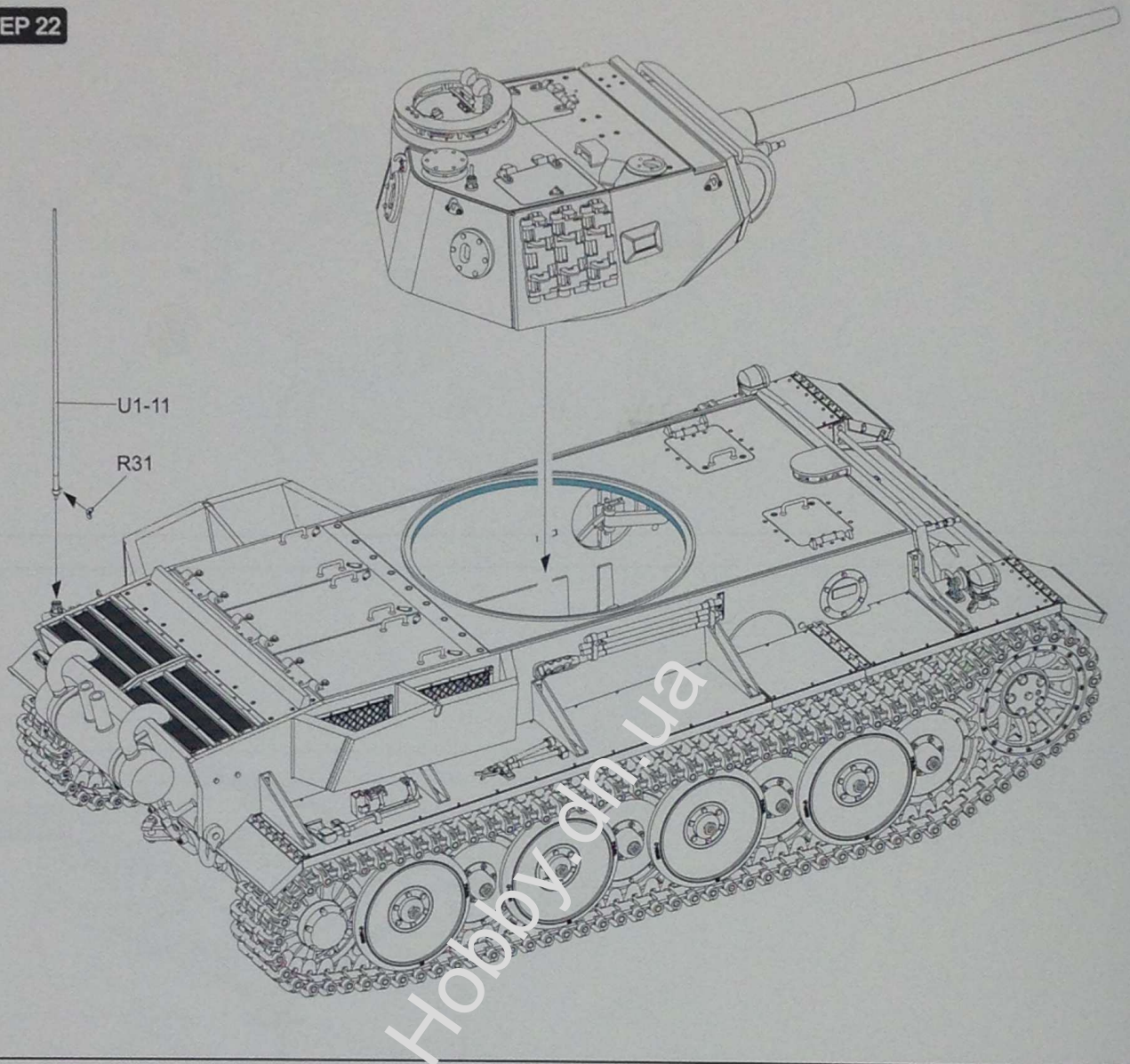
STEP 20



STEP 21



STEP 22



Pz.Kpfw.VI (7.5cm) Ausf.B (vk36.01)

© RYEFIELD MODEL MADE IN CHINA
RFM
RYEFIELD MODEL®
香港美田模型玩具有限公司

1/35 SCALE
5036
Military Miniature Series



WEBSITE



FACE BOOK



微博



微信公眾號