

Ki 27 Nate

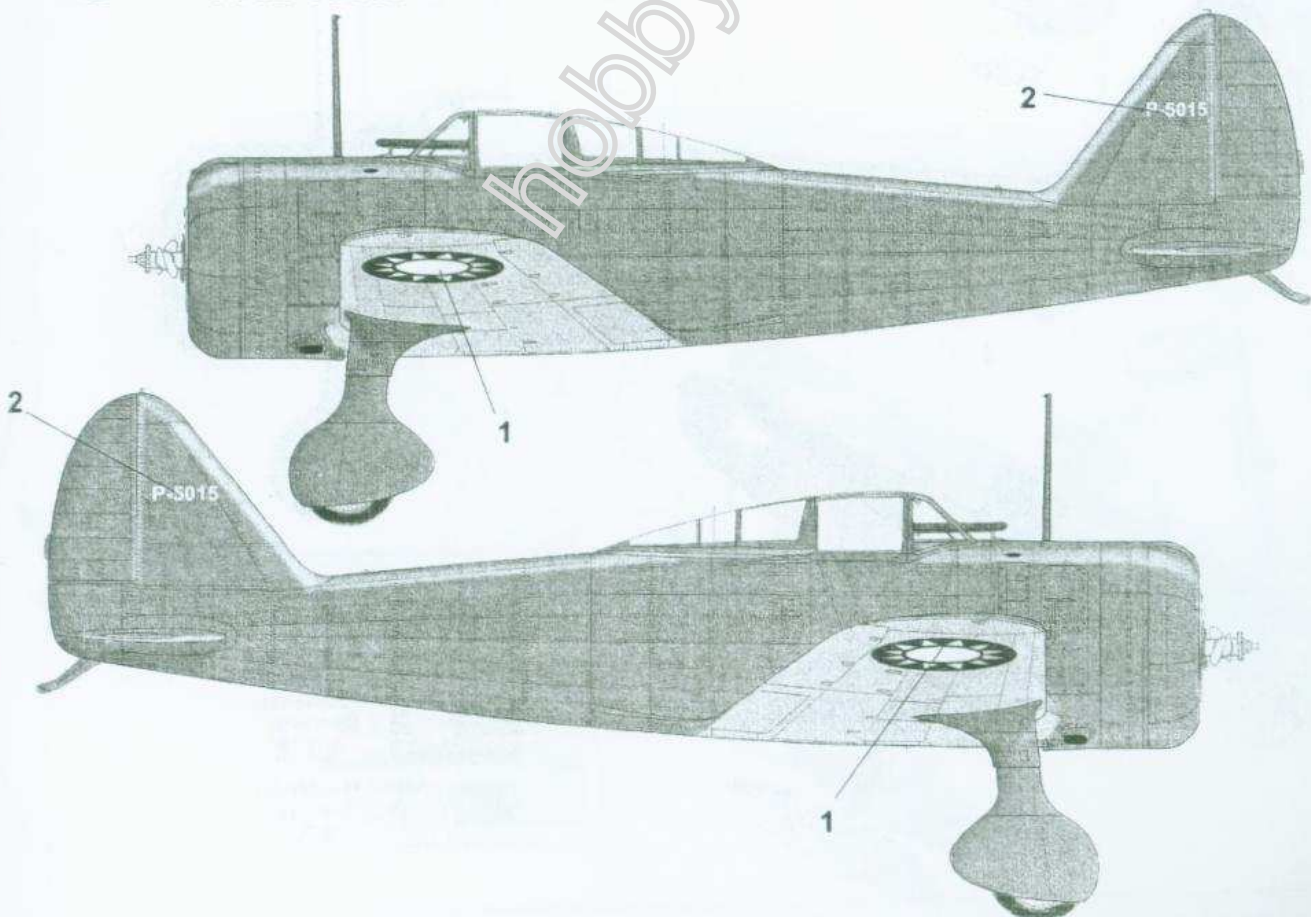
In 1935 the Japanese Army held a competition between Nakajima, Mitsubishi, and Kawasaki to design a low-wing monoplane. The results were Ki 27, Ki 28 and Ki 33, and the army chose the Nakajima aircraft for its outstanding performance, and officially adopted it for use in 1937.

The new Ki 27 was created as a modern, streamlined design, their chief design engineer was Koyama Yasushi.

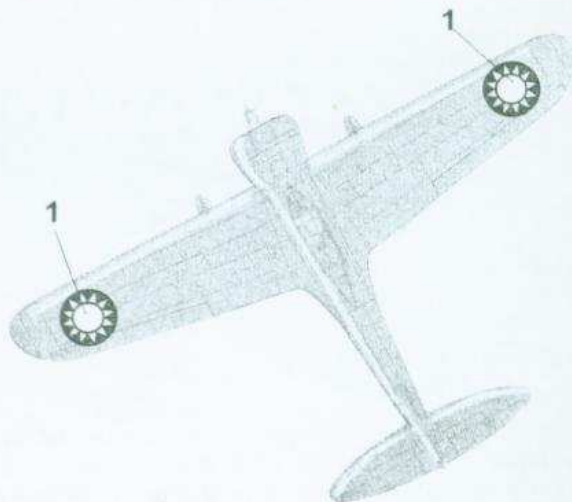
The Ki 27 was the army's main fighter until start of WWII. In the 1939 Battle of Chalchin-Gol where the Japanese Army fought the Soviets twice in Mongolia, it faced I-15 and I-16, and overwhelmed them with its maneuverability, downing a total of 1252 enemy aircraft. The Ki-27 served until the beginning of WWII in the Pacific, and was replaced by the Ki-43, continuing to serve as a trainer. It was also exported for use with Manchukuo and Thai forces, seeing combat with both.

Wing span : 11.31m , Length : 7.35m , Height : 3.28m , Wing area : 18.56m²
 Service range : 627 , Max. service range : 1100m

1 Captured Ki-27 B No. P-5015 Kuomintang Air Force , China 1942-1943.

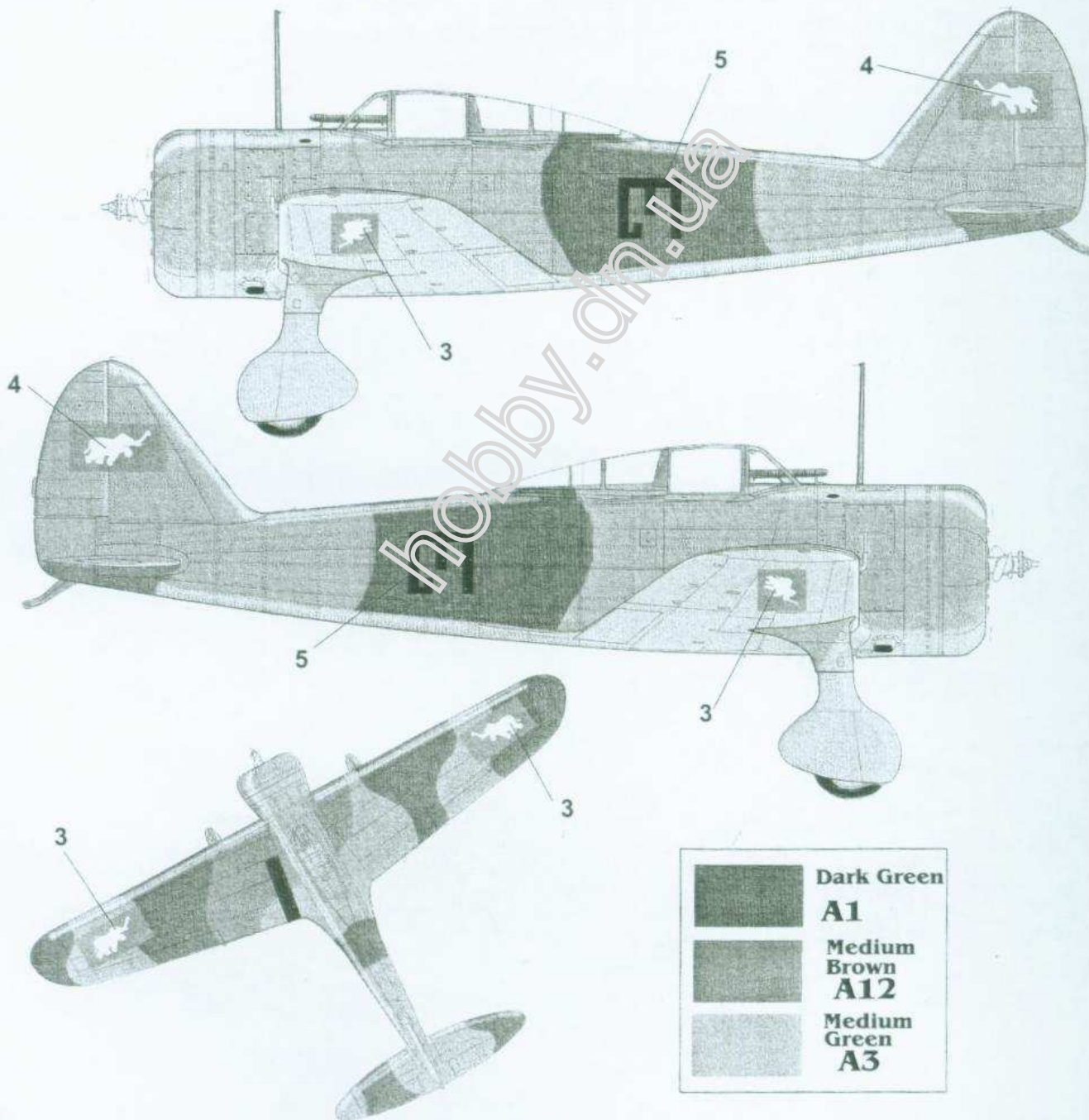


1



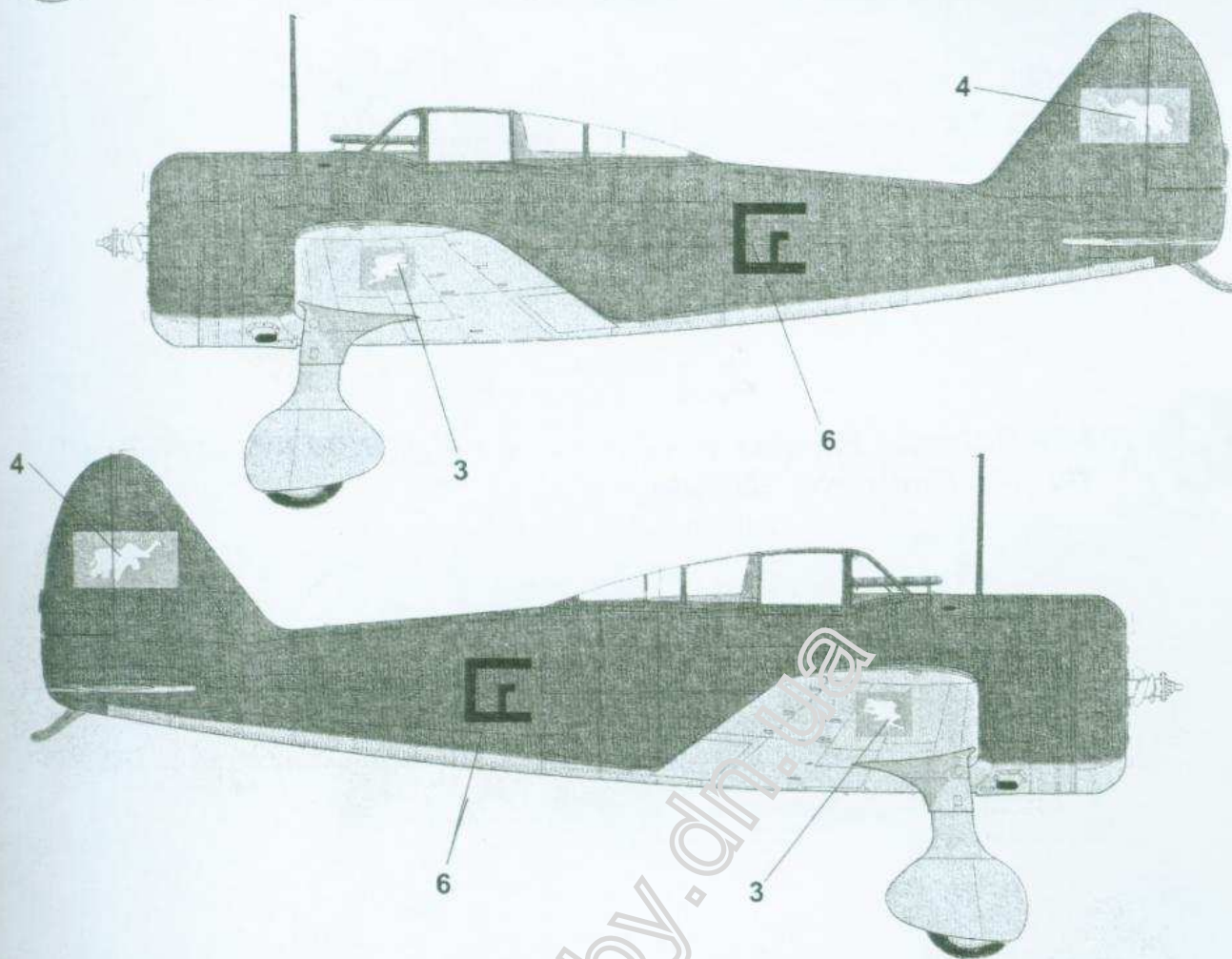
2

*Ki-27 B No. 3 from Foong Bin Khap Lai 16 Thailand Air Force
Thap Arkart Thai Lampang , Tahiland , November of 1944.*



3

Ki-27 B No.4 from Foong Bin Khap Lai 16 Thailand Air Force
Thap Arkart Thai Lampang , Tahiland , November of 1944.



Další modely z naší produkce.
Next models from our product.



Manshu Ki-79 a

92014



Manshu Ki-79 b

92015



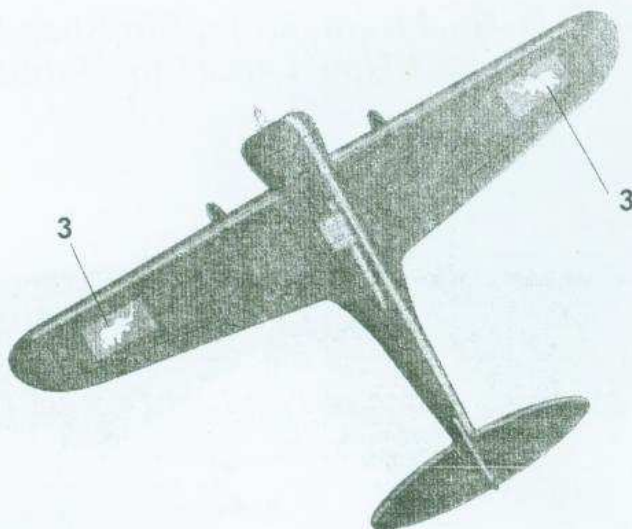
Manshu Ki-79 b

92016

92013

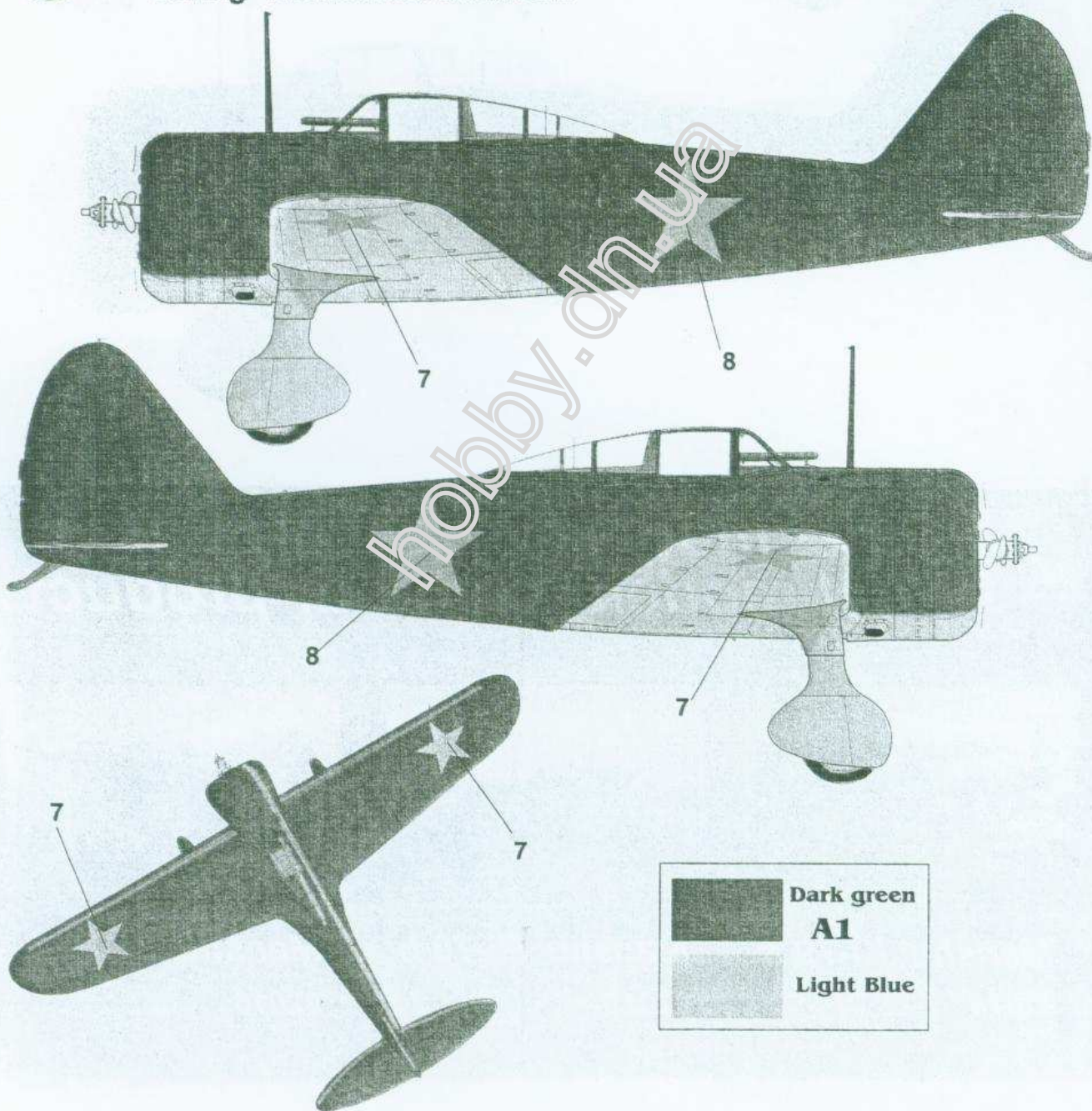
3


	Dark green A1
	Light Grey A9



4

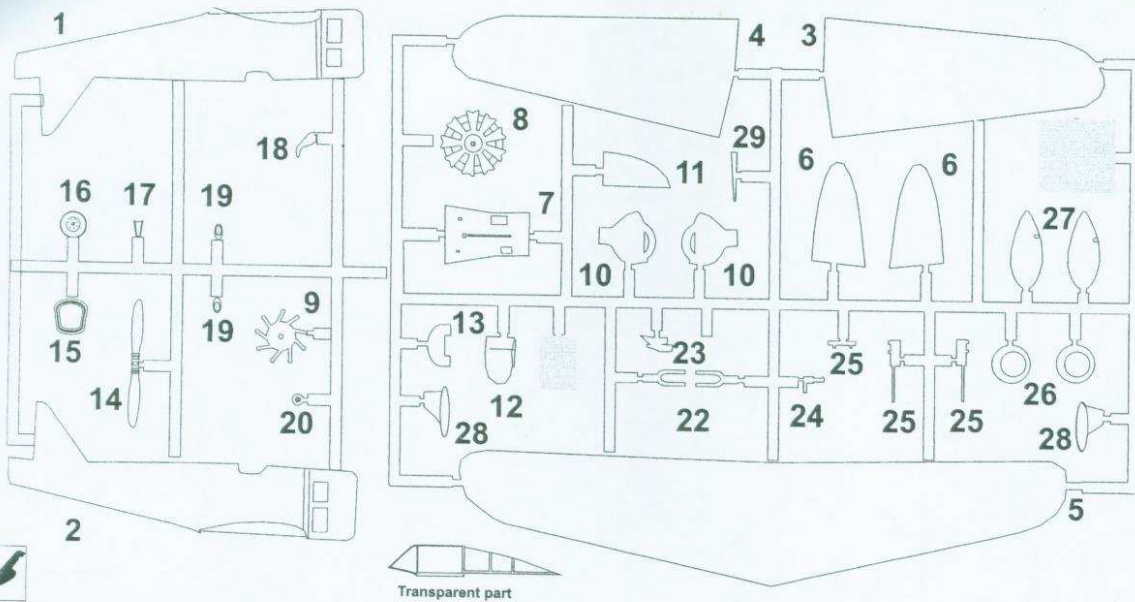
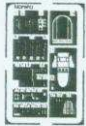
Ki-27 B Soviet Far-Eastern Air Force captured and test flown during Nomonhan Incident.



	Dark green A1
	Light Blue

92012 - 92013

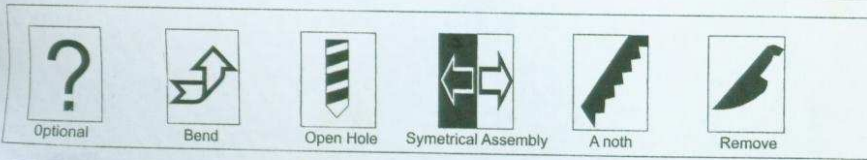
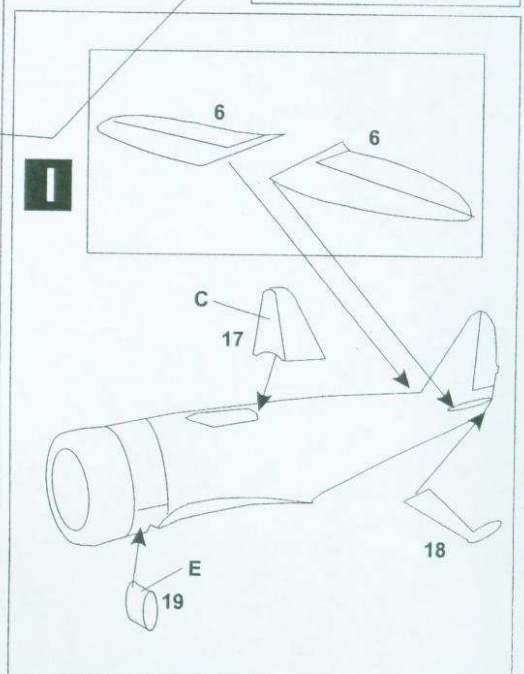
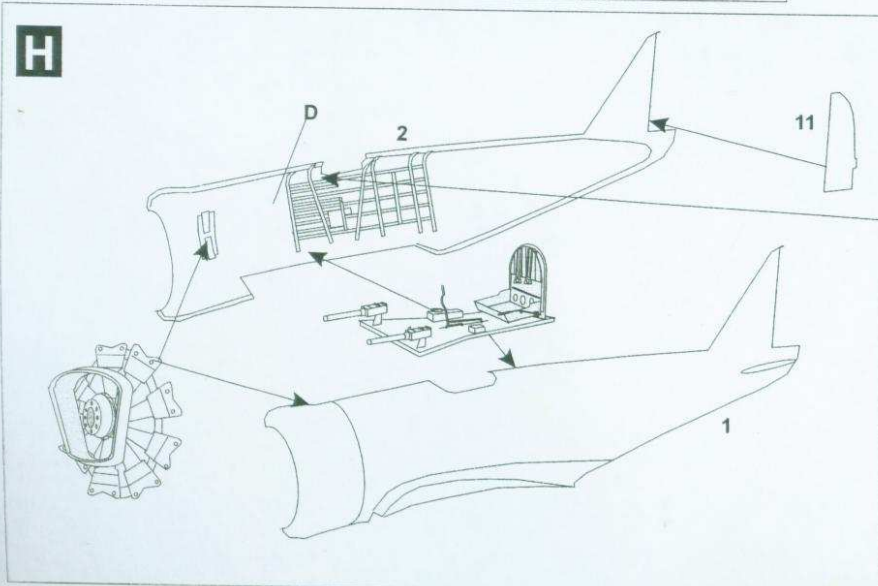
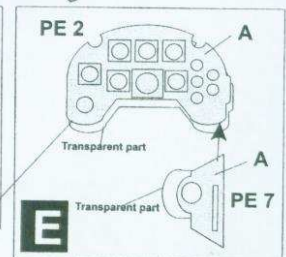
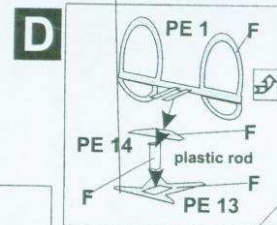
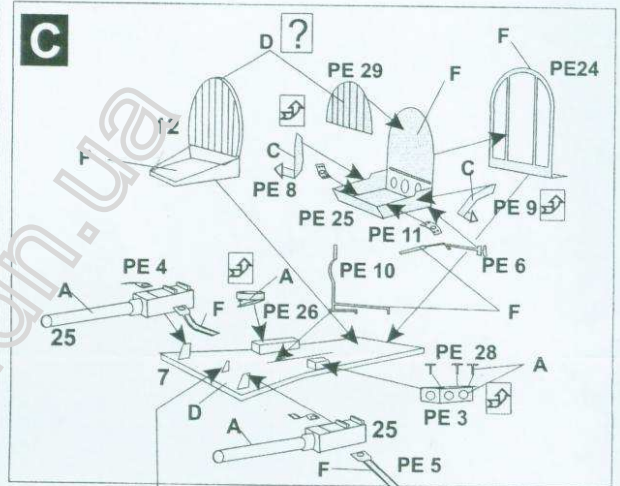
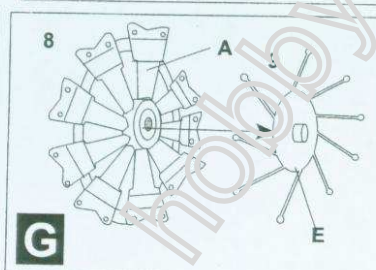
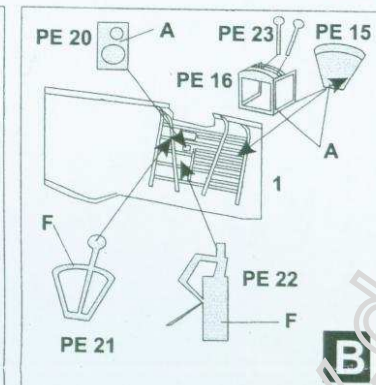
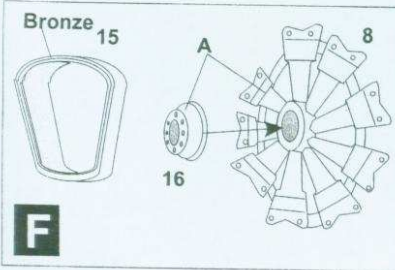
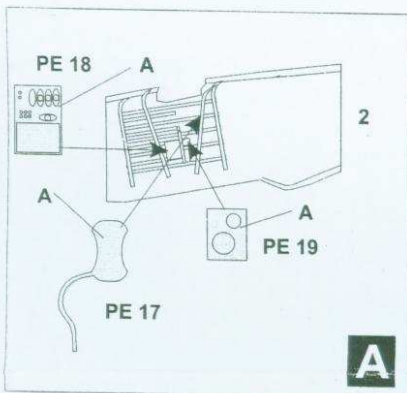
Photo-Etched part

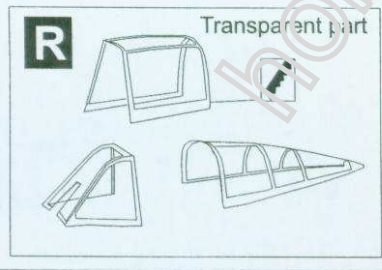
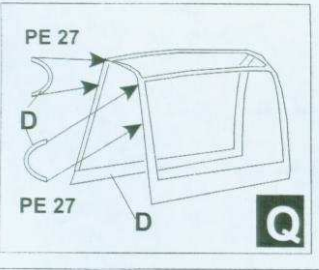
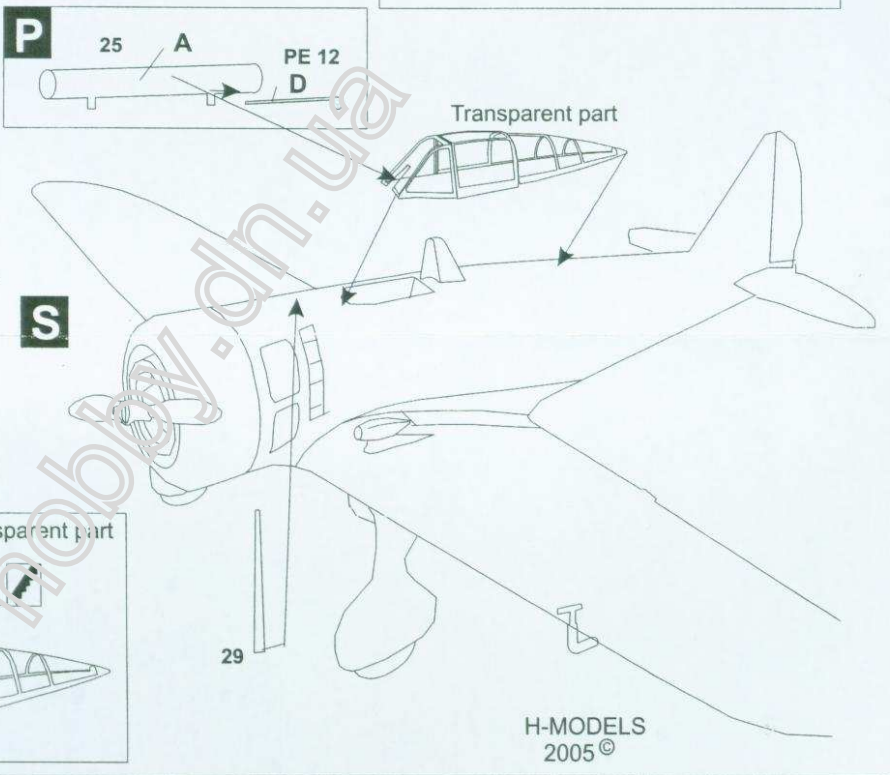
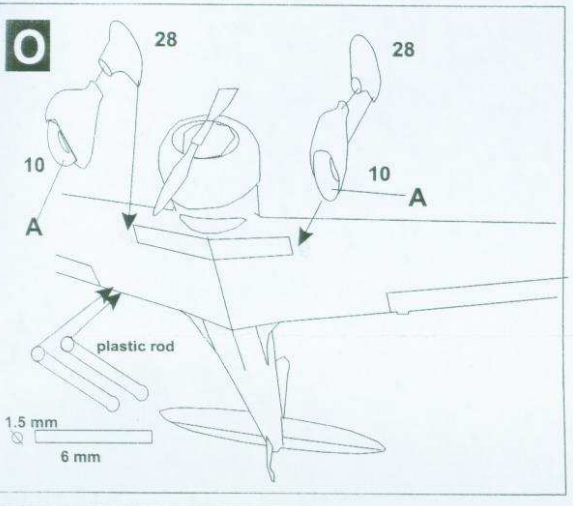
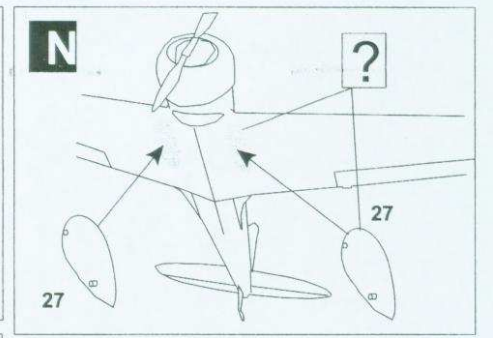
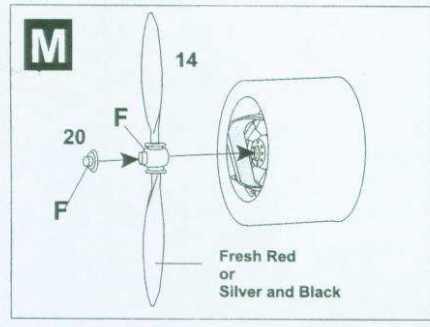
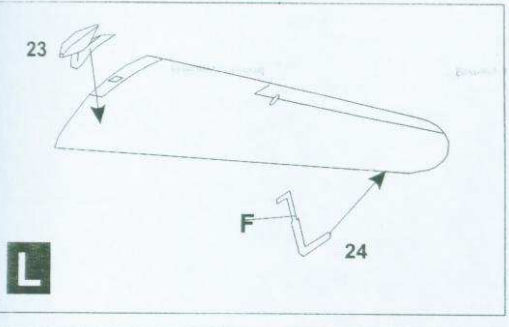
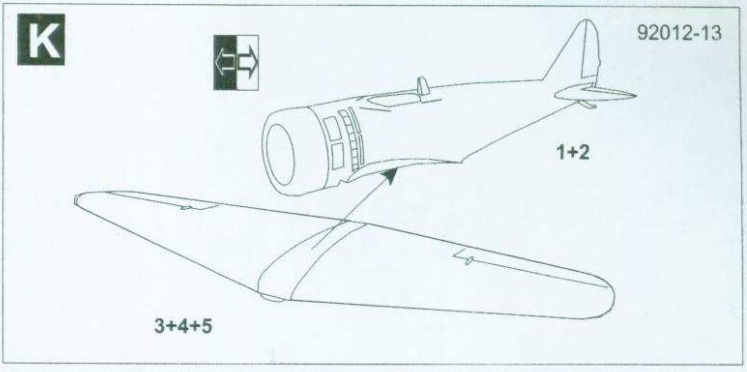
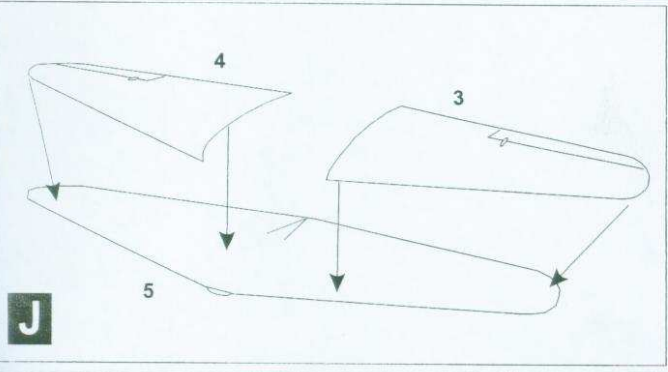


	Barvy Colour	H-Humbrol Ag-Agama
A	Black	H-33 Ag 07M
B	White	H-34 Ag 01M
C	Light Earth	H-119 Ag C2P
D	Dark Grey	H-32 Ag N4M
E	Medium Brown	H-186 Ag C31P
F	Steel	H-27003 Ag 46 Me

INSTRUCTIONS

MODEL ASSEMBLY





H-MODELS 2005 ©

