

RS
MODELS

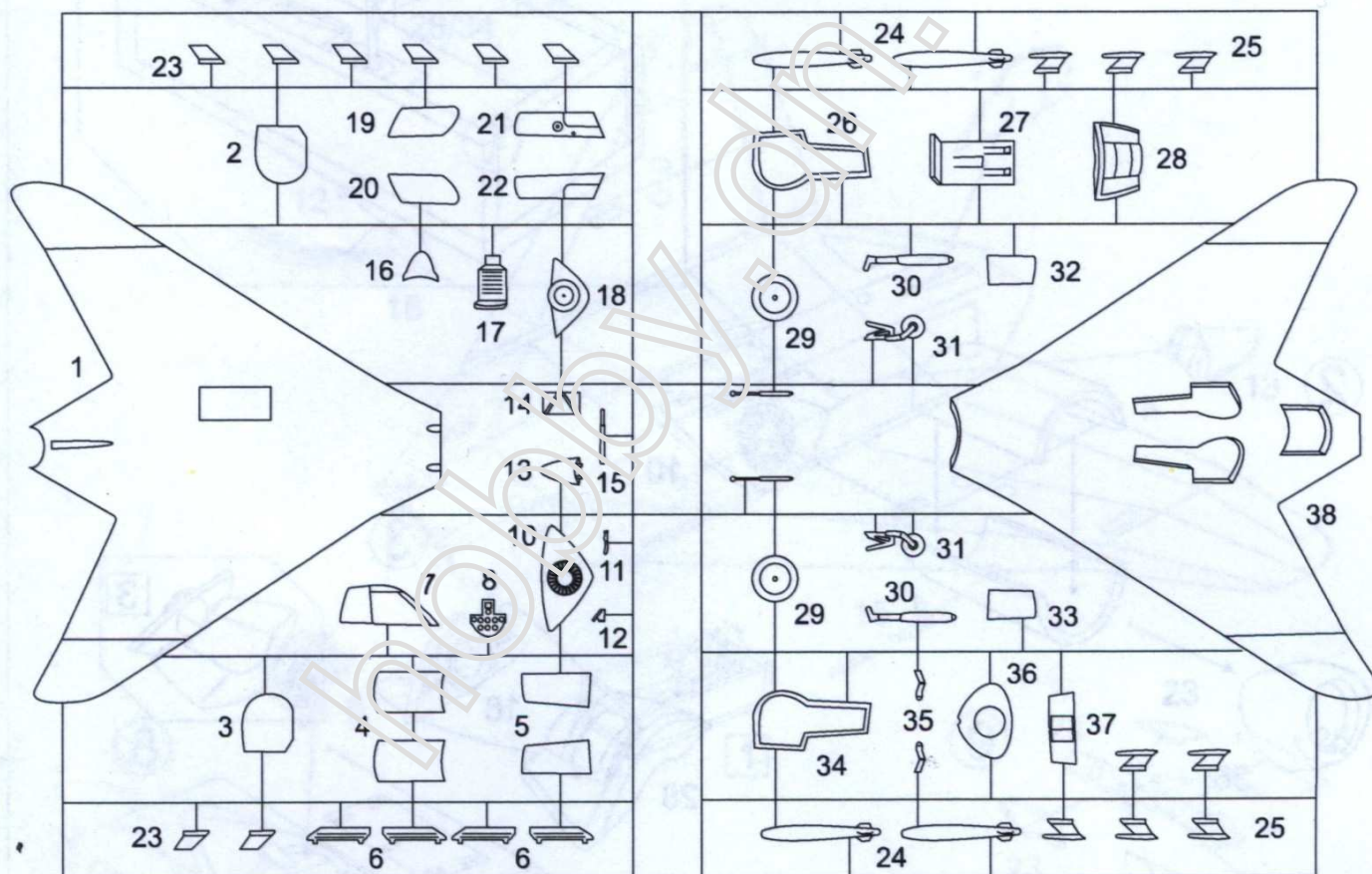
92087

BLOHM & VOSS AE 607

1/72
SCALE

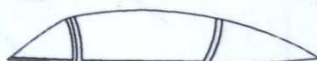
The Blohm & Voss Ae 607 was a jet-powered flying wing design drawn up by Blohm & Voss in 1945. Very little is known about it and its existence was only confirmed in 2017. Early in 1945, a Blohm & Voss (B&V) aircraft designer called Thieme began work on Drawing Number Ae 607, within the standard drawing numbering system at B&V. His design for a jet fighter was radically different from anything that B&V had done before. A flying wing, it approximated to a 45° delta planform. Reports of its existence were not confirmed until 2017, when the drawing was published. No Project number is recorded for the design and its intended status is unknown.

PLASTIC PARTS

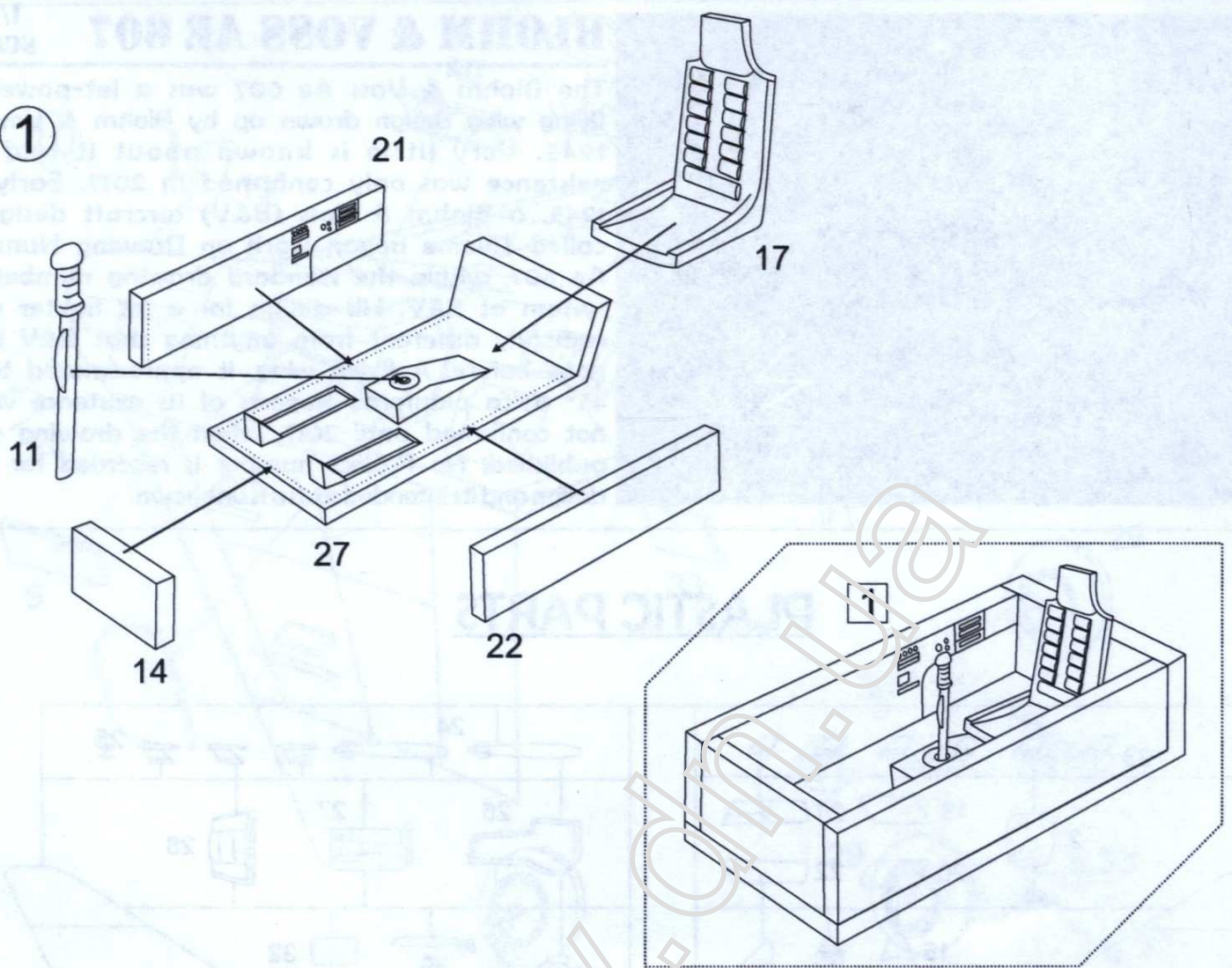


CLEAR PARTS

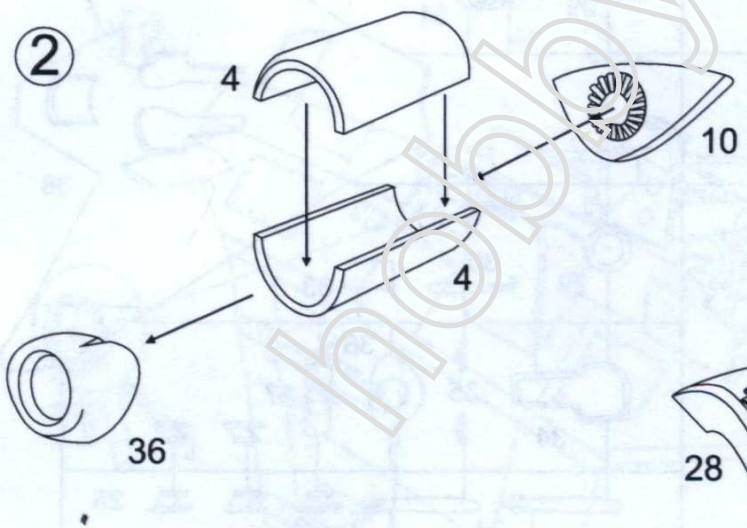
CP 1



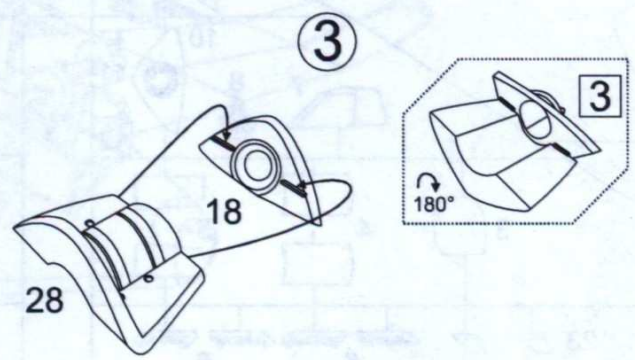
1



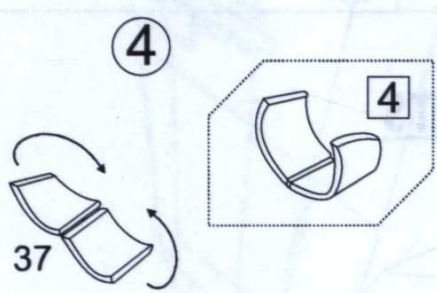
2



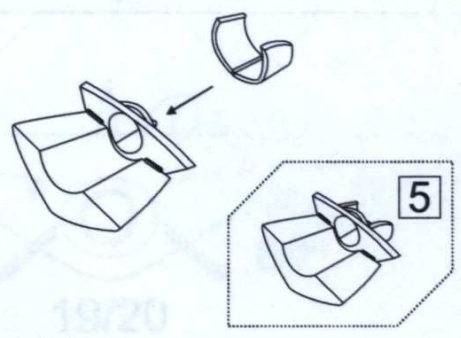
3

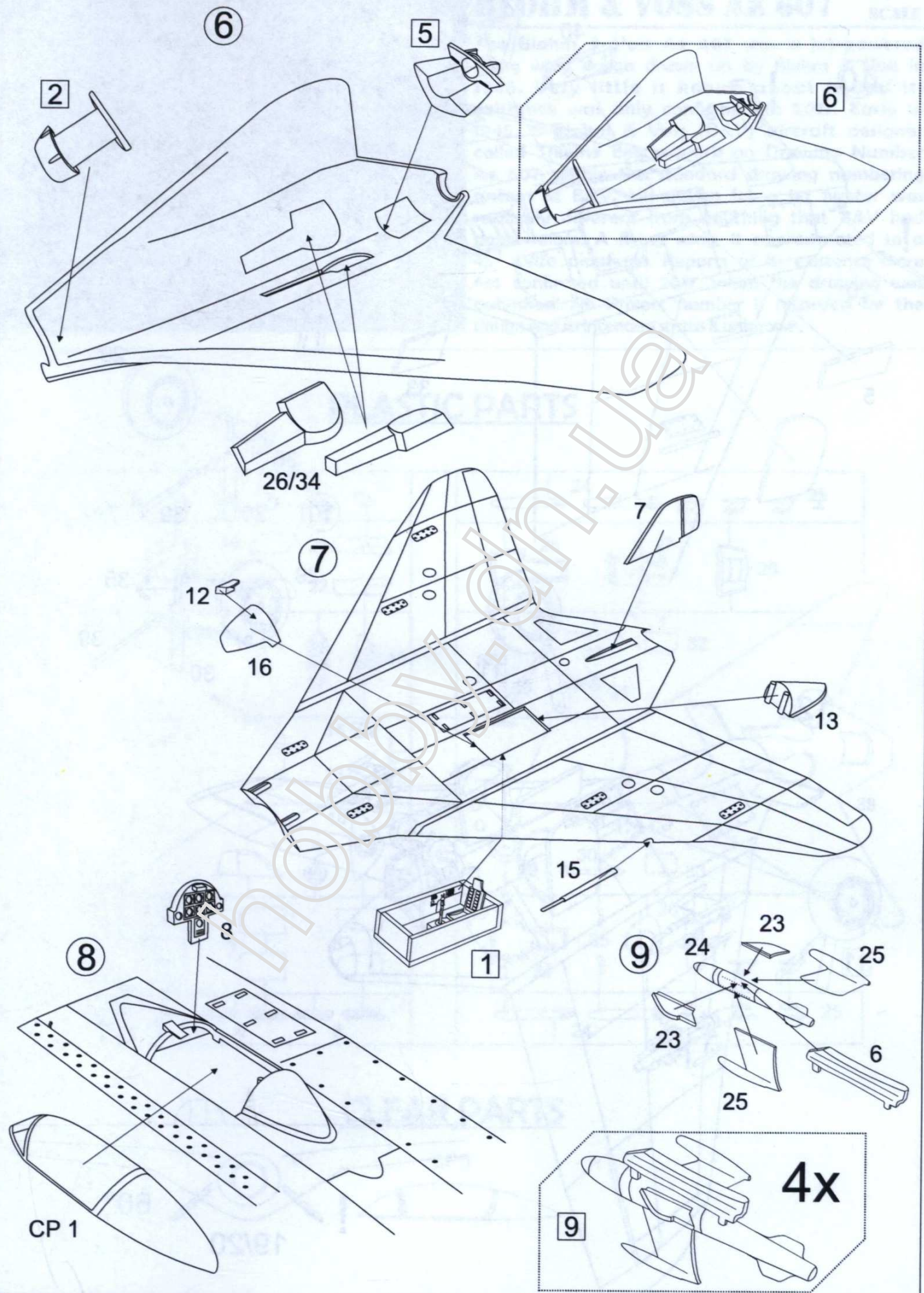


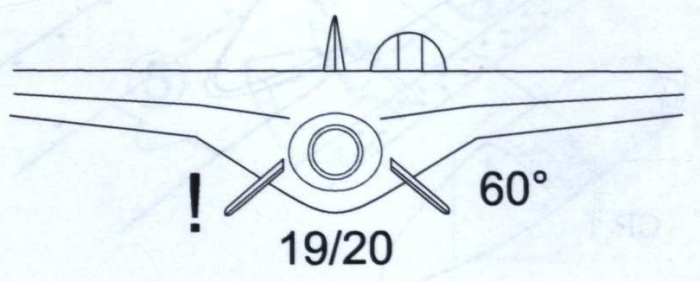
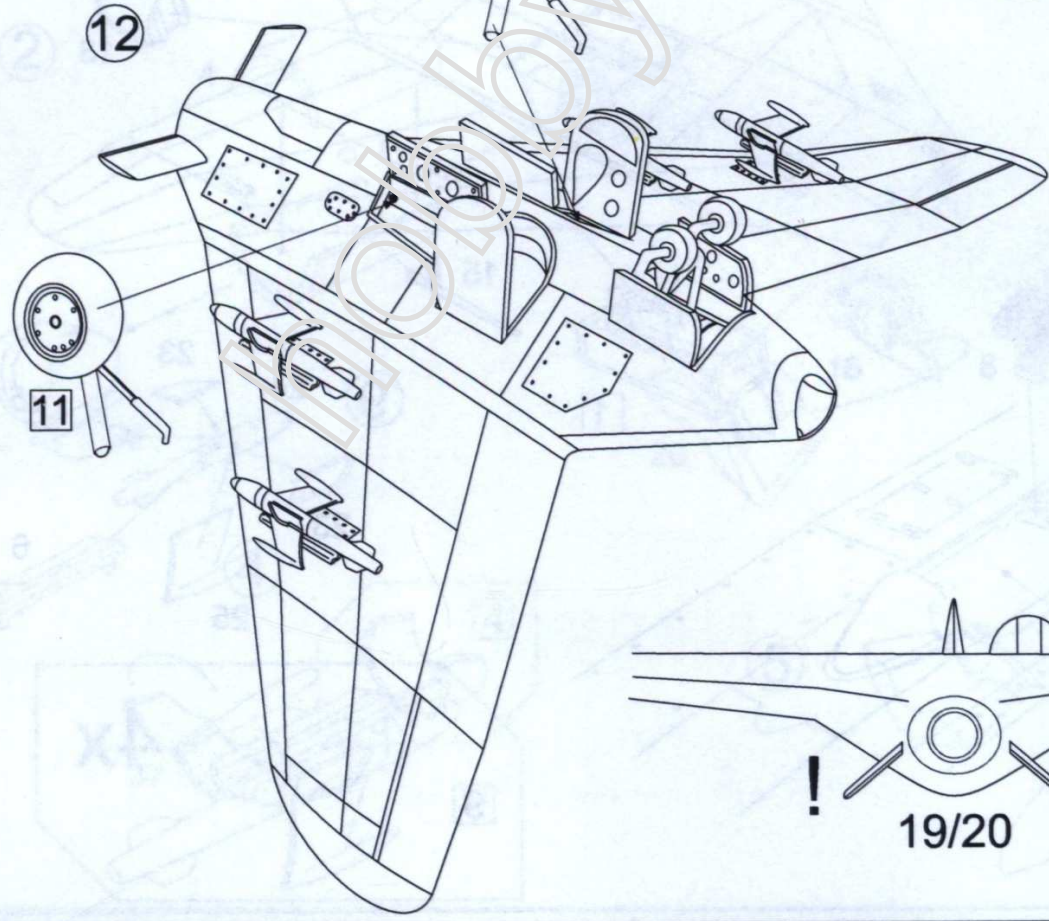
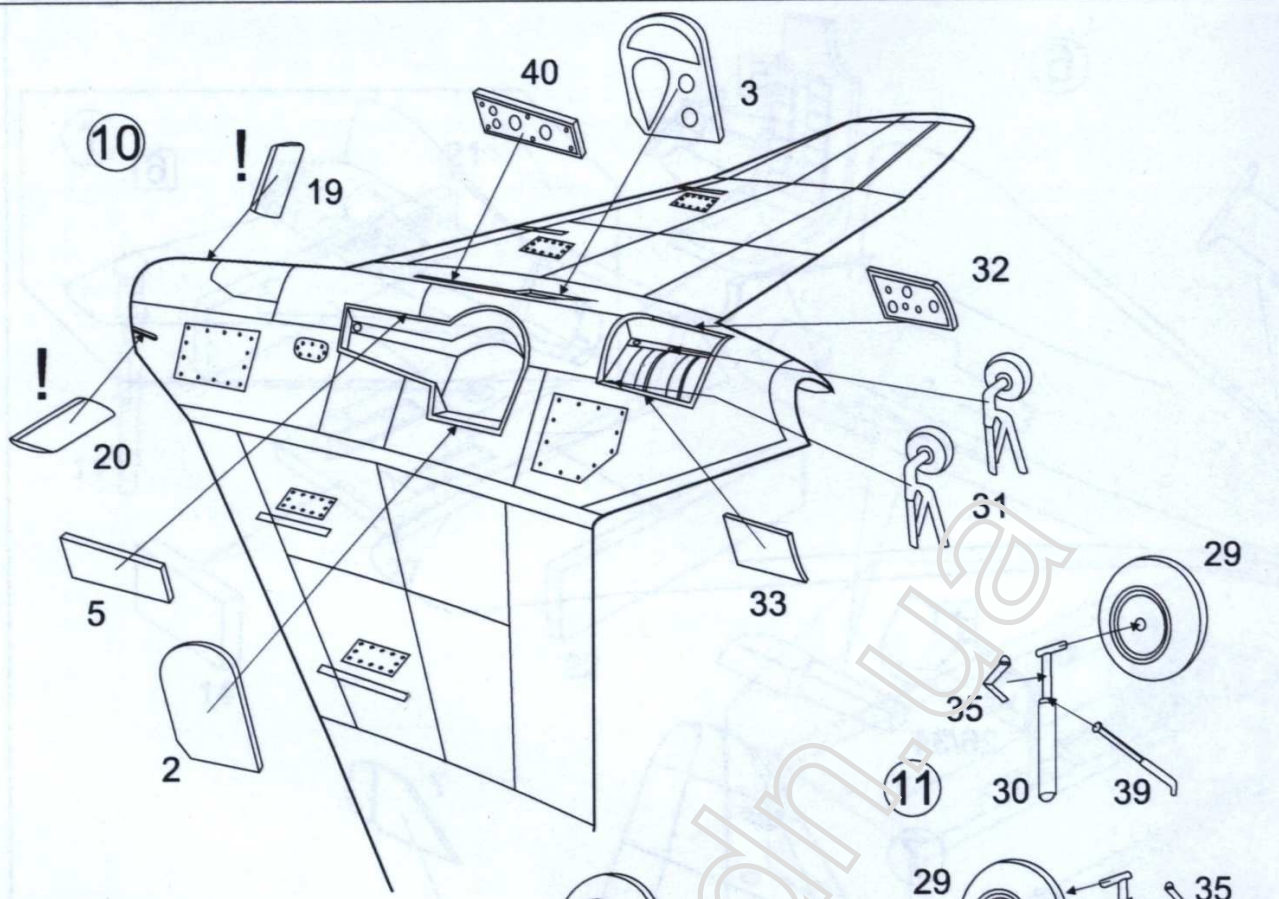
4



5



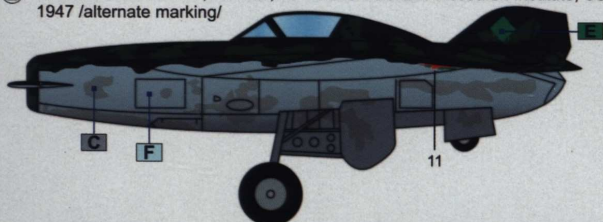




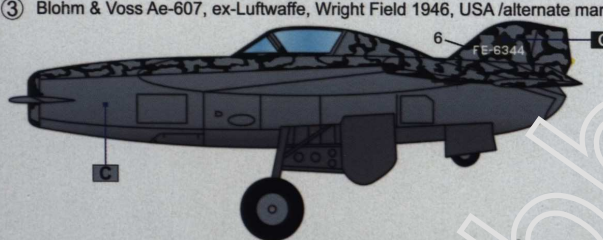
① Blohm & Voss Ae-607, Luftwaffe 1945 /alternate marking/



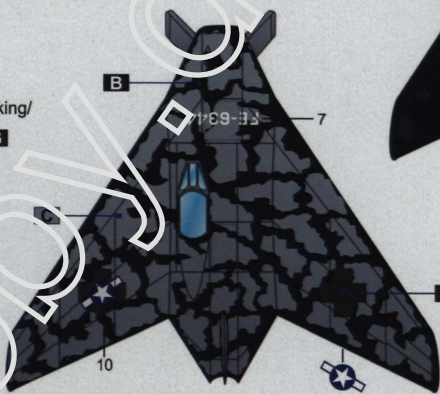
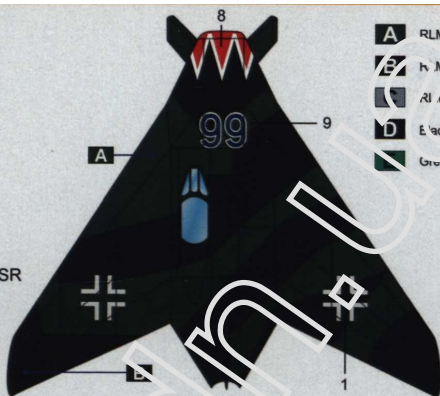
② Blohm & Voss Ae-607, ex-Luftw., Air Forces Scientific Research Institute, SSSR 1947 /alternate marking/



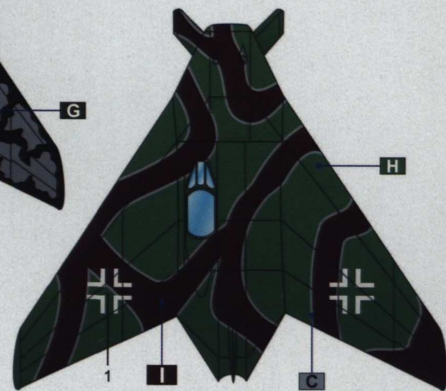
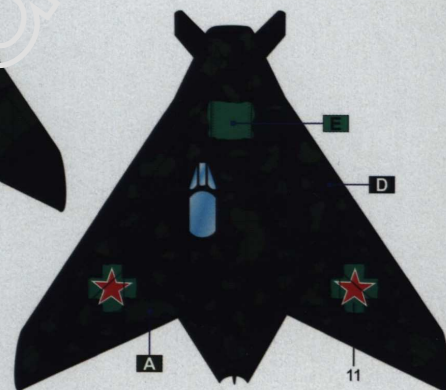
③ Blohm & Voss Ae-607, ex-Luftwaffe, Wright Field 1946, USA /alternate marking/



④ Blohm & Voss Ae-607, Luftwaffe 1946 /alternate marking/



- | | |
|----------------------------------|---------------------------------|
| A RLM 80 / Olivově zelená | F Blue / Modrá |
| B RLM 81 / Tmavě zelená | G Olive / Olivová |
| C RLM 76 / Šedá | H RLM 82 / Světle zelená |
| D Black / Černá | I RLM 81 / Hnědá |
| E Green / Zelená | |



U lomu 7
795 01 Rýmařov
rsmodels@rsmodels.cz
www.rsmodels.cz
Czech Republic