



LIMITED EDITION

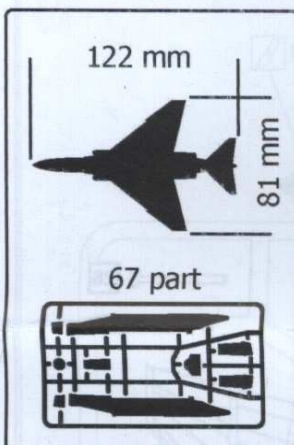
SOVA-M
SVM-14001

McDonnell Douglas F-4J Phantom II



UNASSEMBLED PLASTIC MODEL KITS

SCALE:1/72



DECALS



TWO VERSIONS OF COLOURING

The McDonnell Douglas F-4 Phantom II is a tandem two-seat, twin-engine, all-weather, long-range supersonic jet interceptor and fighter-bomber originally developed for the United States Navy by McDonnell Aircraft. It first entered service in 1960 with the U.S. Navy. Phantom II production ended in the United States in 1979 after 5,195 had been built (5,057 by McDonnell Douglas and 138 in Japan by Mitsubishi). As of 2017, nearly 60 years after its introduction, the F-4 remains in service with Iran, Japan, South Korea, and Turkey.

PAINTS

- | | |
|---------------------------------------|----------------------------------|
| A HUMBROL 183 LIGHT GULL GREY | B HUMBROL 130 WHITE |
| C HUMBROL 33 BLACK | D HUMBROL 27004 GUN METAL |
| E HUMBROL 27003 POLISHED STEEL | F HUMBROL 56 ALUMINIUM |
| G HUMBROL 153 RED | H HUMBROL 145 MEDIUM GREY |

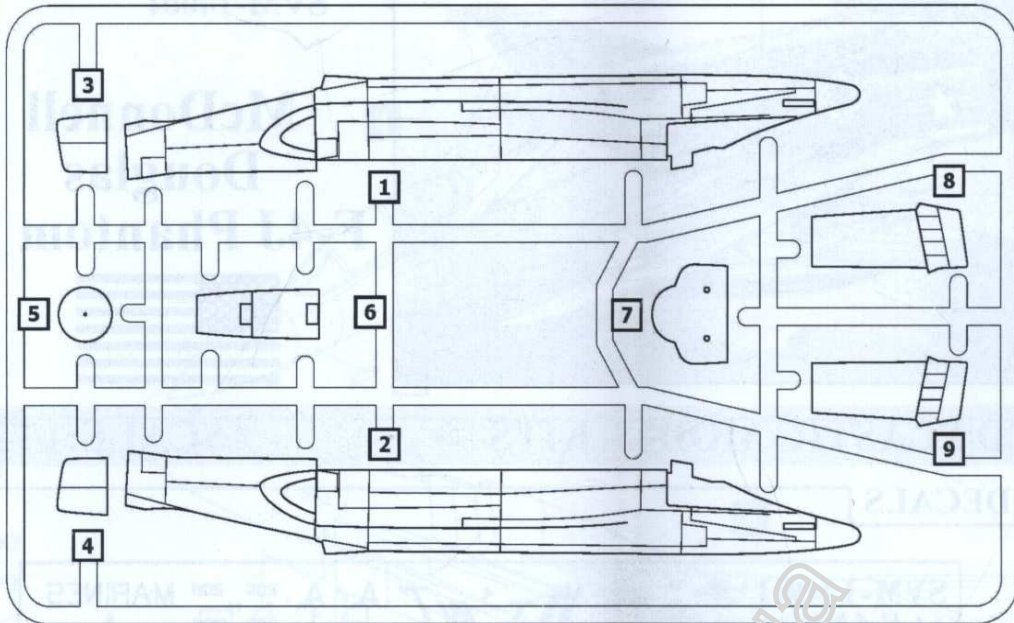
The model is executed on technology short run and is intended only for experienced modelers.

Word-wide distributor for Sova-M kits:
ModelSvit Balkans Ltd. 4003 Plovdiv,
Bulgaria 9, zk Maritza Gardens.
Tel. +359 32 397 069,
E-Mail: modelsvitbalkans@gmail.com
MADE IN UKRAINE

SYMBOLS

- | | | |
|----------------------------------|-------------------|---------------|
| 1 STAGES OF ASSEMBLY | TO PAINT | TO BEND |
| 1 NUMBER PARTS | GLUE | SCRATCH BUILT |
| APPLY DECALS | DON'T GLUE | OPEN HOLE |
| x2 QUANTITY OF OPERATIONS | НА ВИБІР OPTIONAL | CAT OUT |

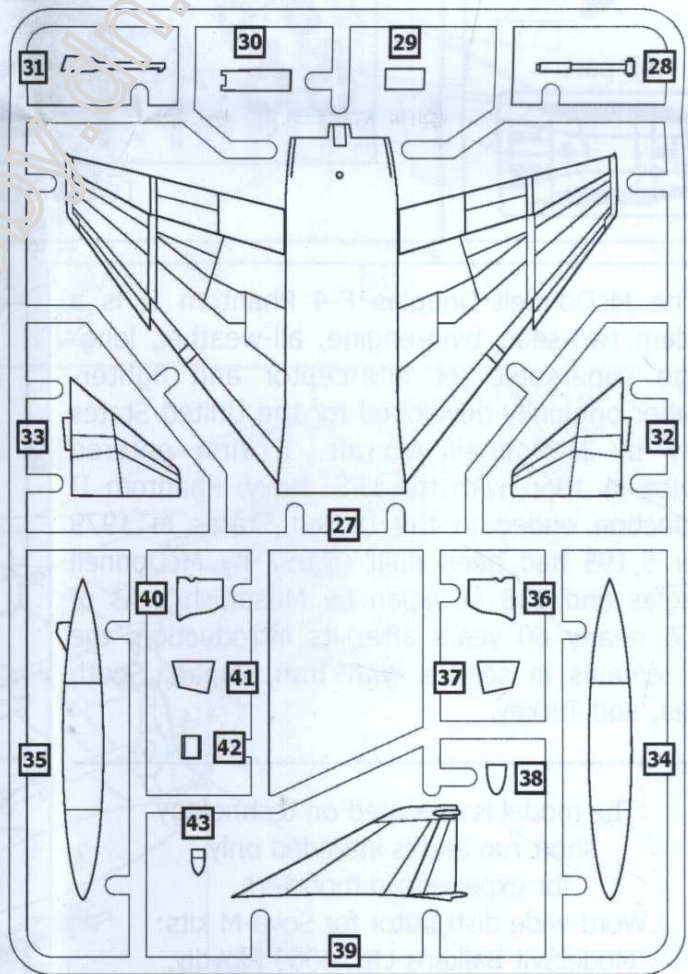
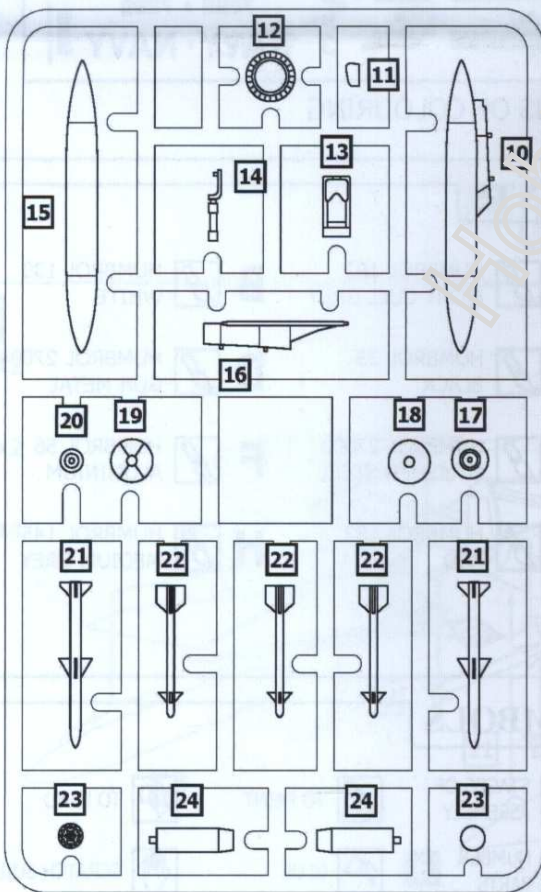
SET OF THE PARTS



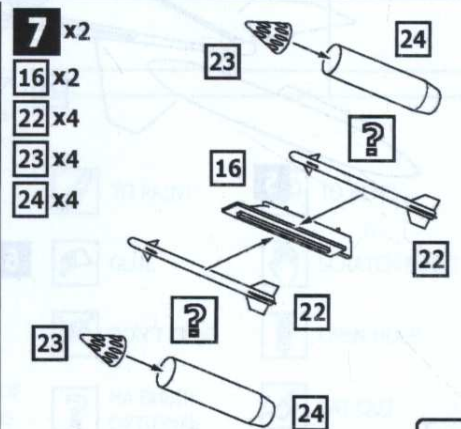
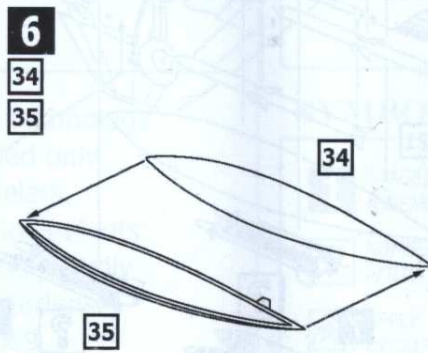
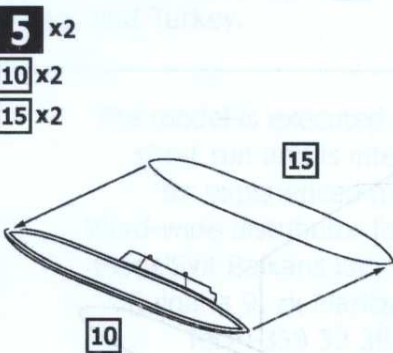
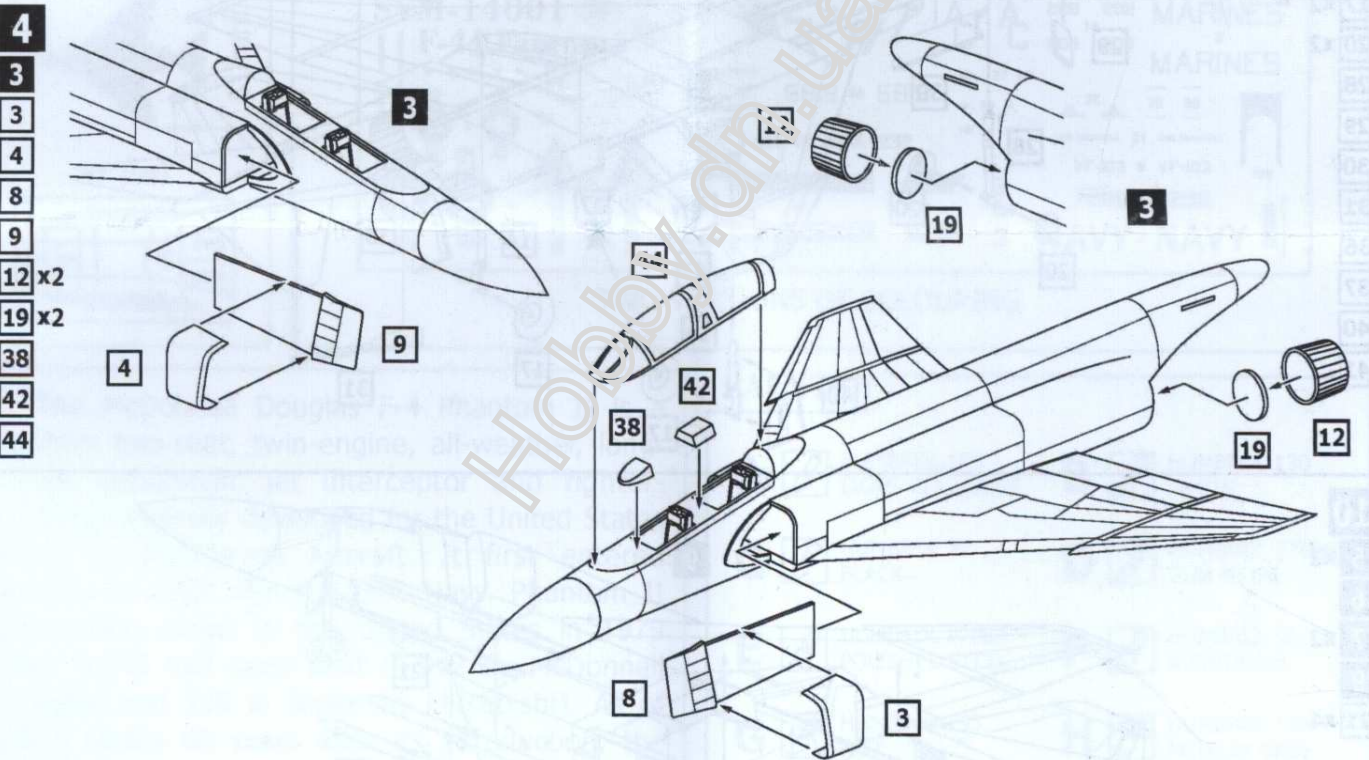
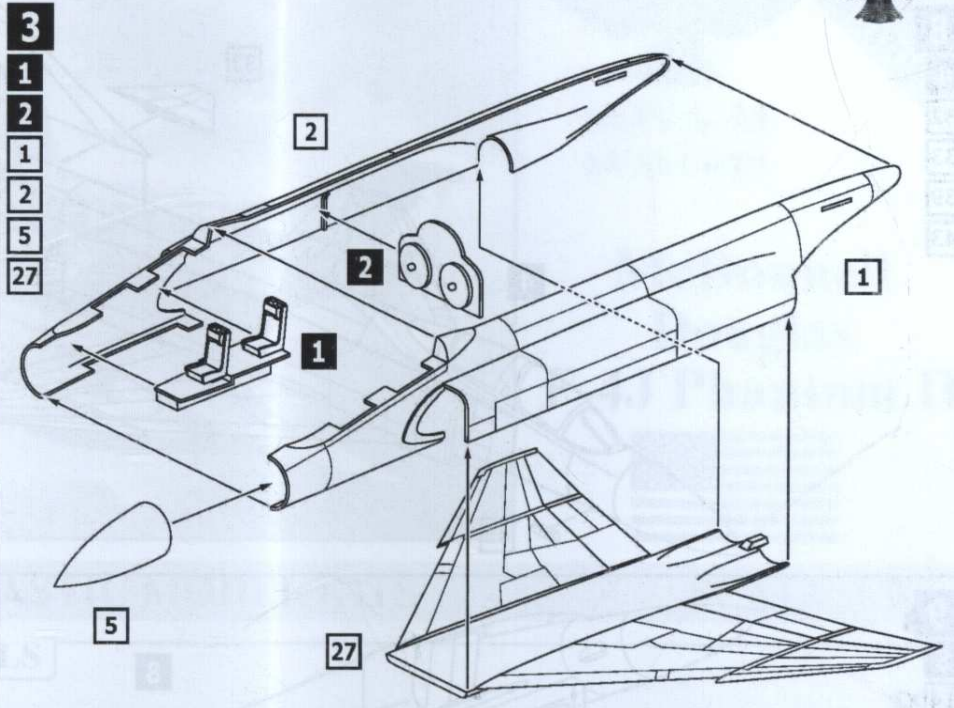
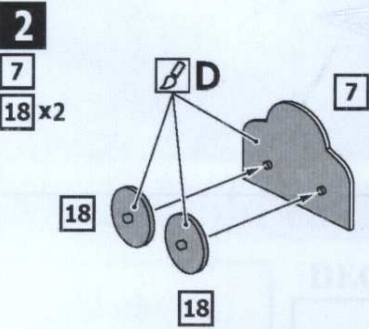
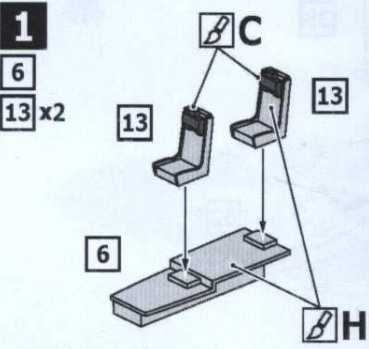
44



x2



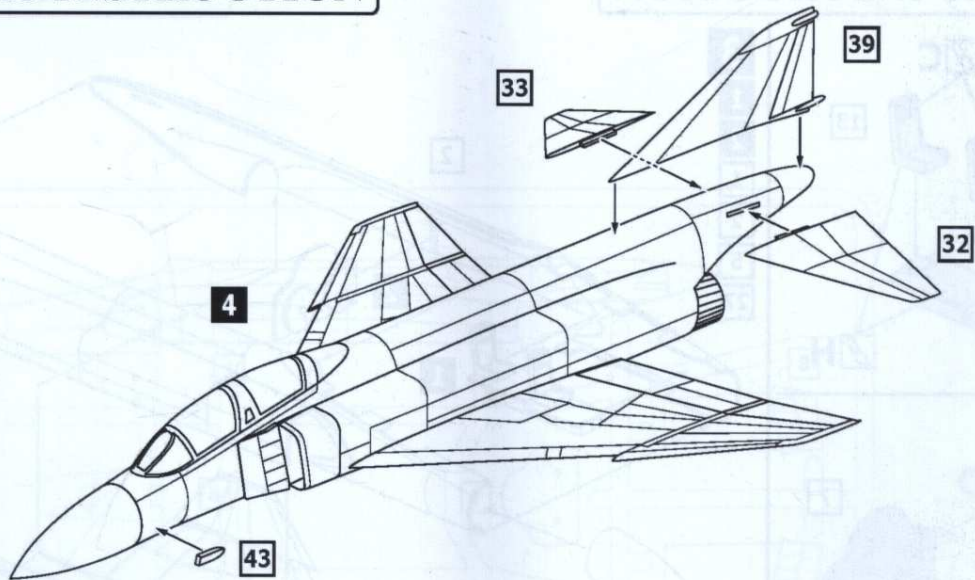
ASSEMBLY INSTRUCTION



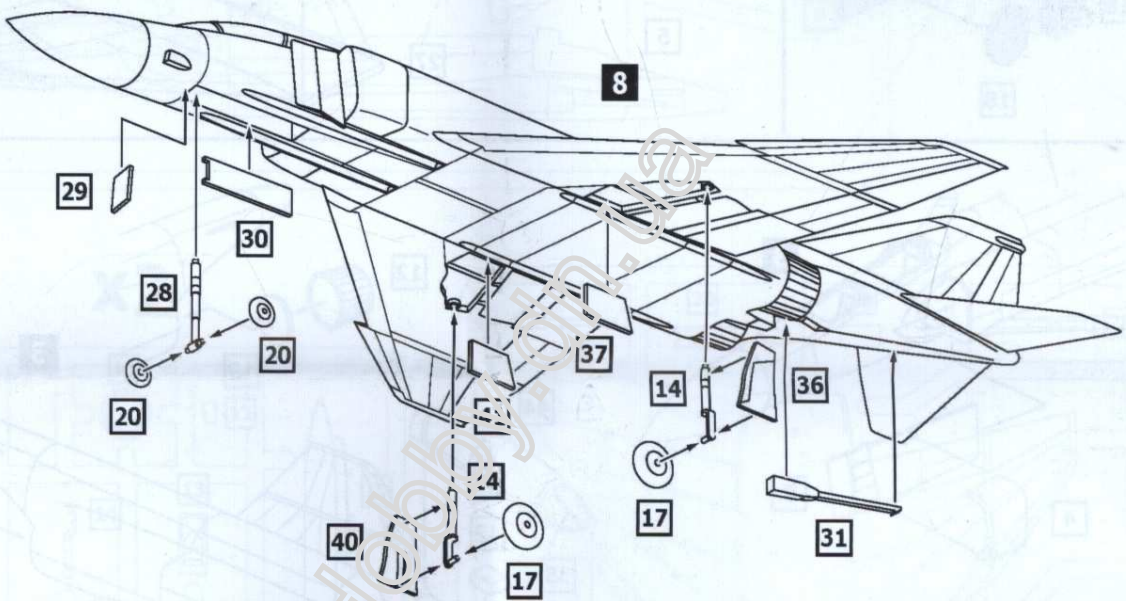
ASSEMBLY INSTRUCTION



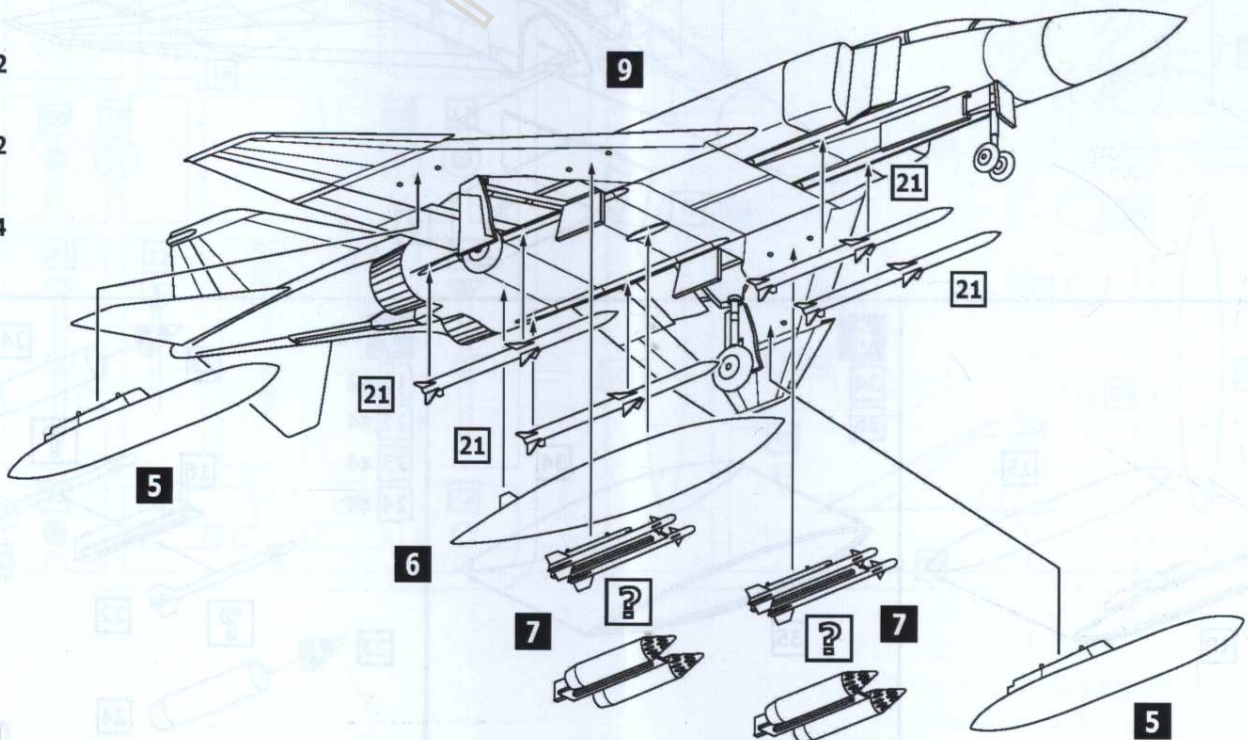
- 8**
- 4**
- 32**
- 33**
- 39**
- 43**



- 9**
- 8**
- 14** x2
- 17** x2
- 20** x2
- 28**
- 29**
- 30**
- 31**
- 36**
- 37**
- 40**
- 41**

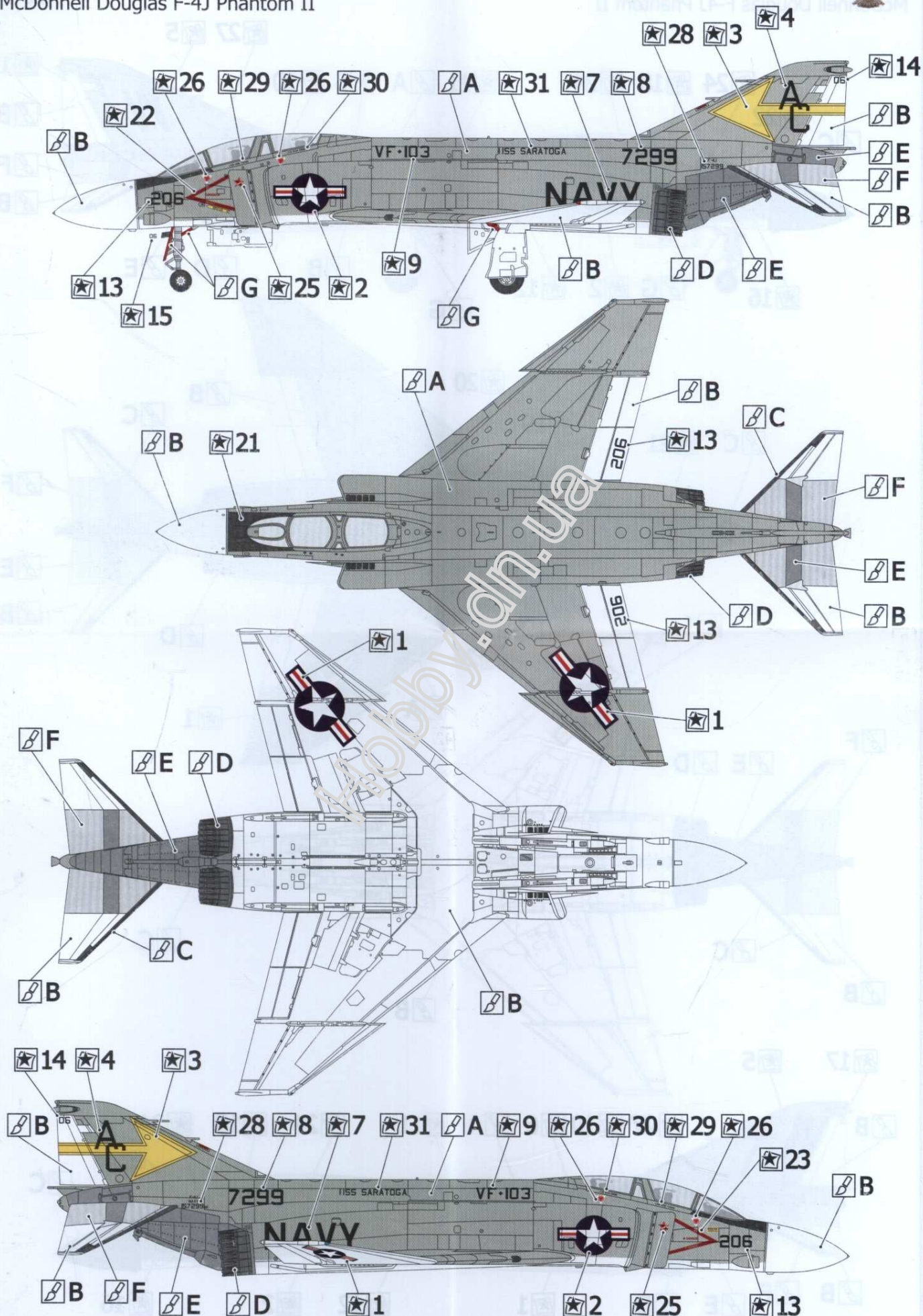


- 10**
- 5** x2
- 6**
- 7** x2
- 9**
- 21** x4



MARKING & PAINTING

McDonnell Douglas F-4J Phantom II



MARKING & PAINTING

McDonnell Douglas F-4J Phantom II

