



LIMITED EDITION

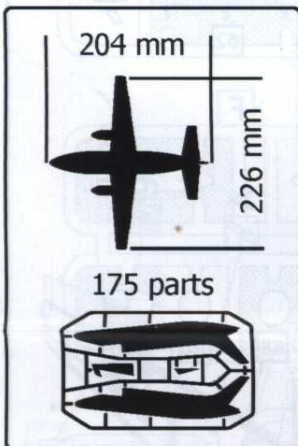
SOVA-M  
SVM-72008

Handley Page  
HP.137

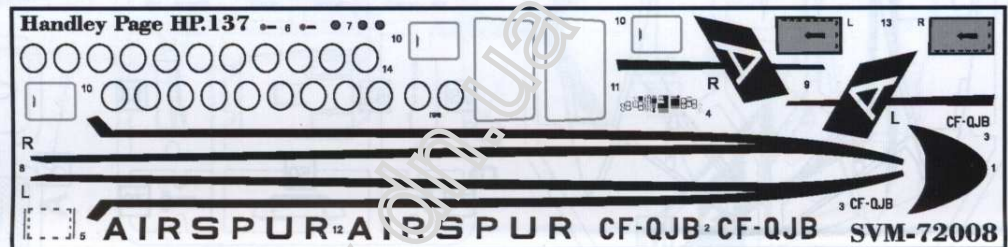


UNASSEMBLED PLASTIC MODEL KITS

SCALE:1/72



DECALS



ONE VERSION OF COLOURING

The British Aerospace Jetstream 31/32 is a light twin-turboprop airliner, developed and manufactured by British Aerospace. The Jetstream 31 is developed from the earlier Handley Page Jetstream 1. Until 1993, 386 Jetstream aircrafts had been manufactured, including 161 Jetstream Super 31 (Jetstream 32) airliners with 14 seats passenger cabs. The Jetstream 32 differed from the baseline aircraft in baggage section dimensions and more powerful TPE331-12 engines (1020 h.p. each one).

The model is executed on technology short run and is intended only for experienced modelers.

Word-wide distributor for Sova-M kits:  
ModelSvit Balkans Ltd. 4003 Plovdiv,  
Bulgaria 9, zk Maritza Gardens.

Tel. +359 32 397 069,

E-Mail: modelsvitbalkans@gmail.com

MADE IN UKRAINE

PAINTS

- |                                       |                                      |
|---------------------------------------|--------------------------------------|
| <b>A</b> HUMBROL 130 WHITE            | <b>B</b> HUMBROL 33 BLACK            |
| <b>C</b> HUMBROL 27003 POLISHED STEEL | <b>D</b> HUMBROL 147 LIGHT GREY      |
| <b>E</b> HUMBROL 19 RED               | <b>F</b> HUMBROL 154 INSIGNIA YELLOW |
| <b>G</b> HUMBROL 145 MEDIUM GREY      |                                      |

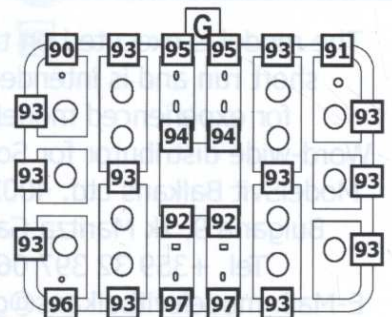
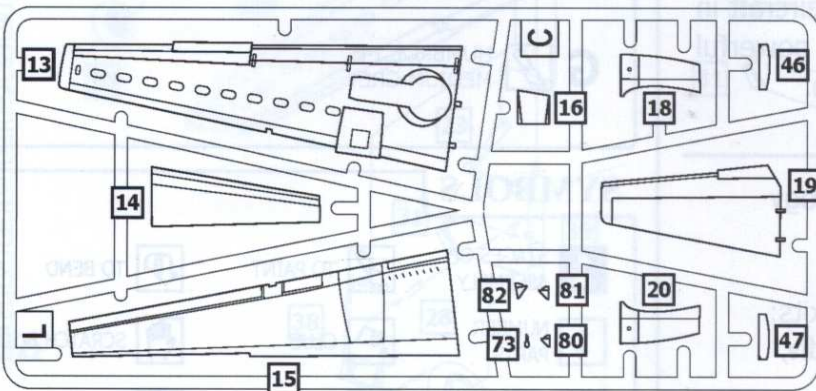
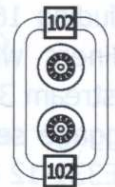
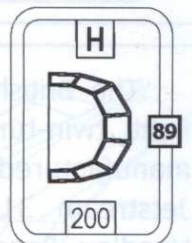
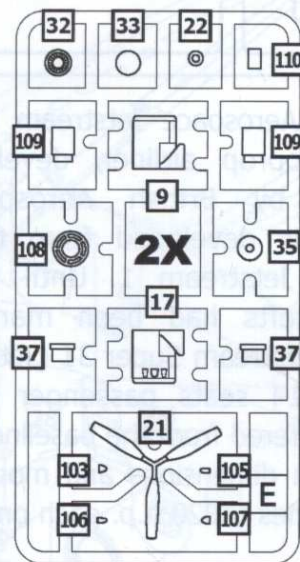
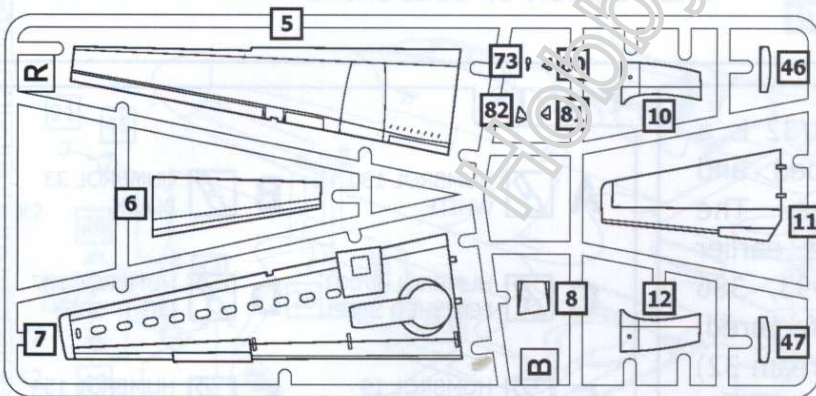
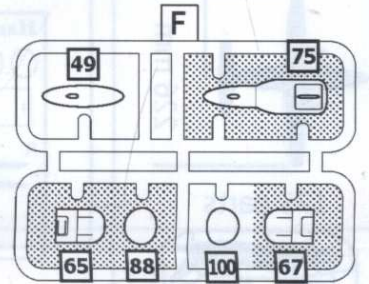
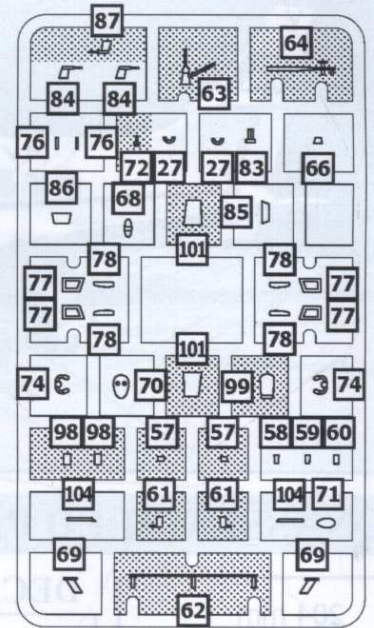
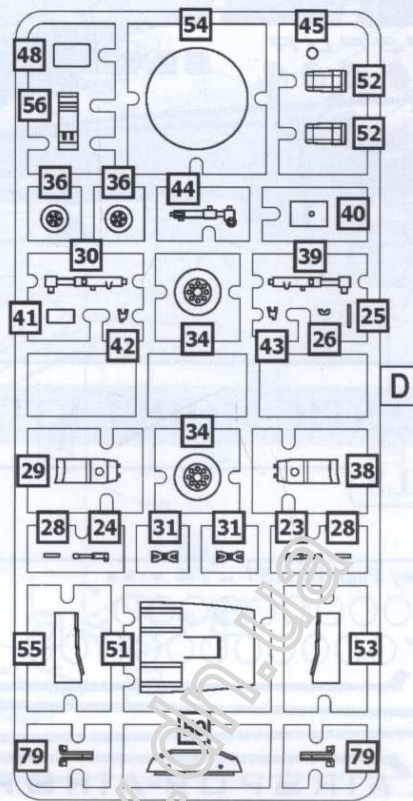
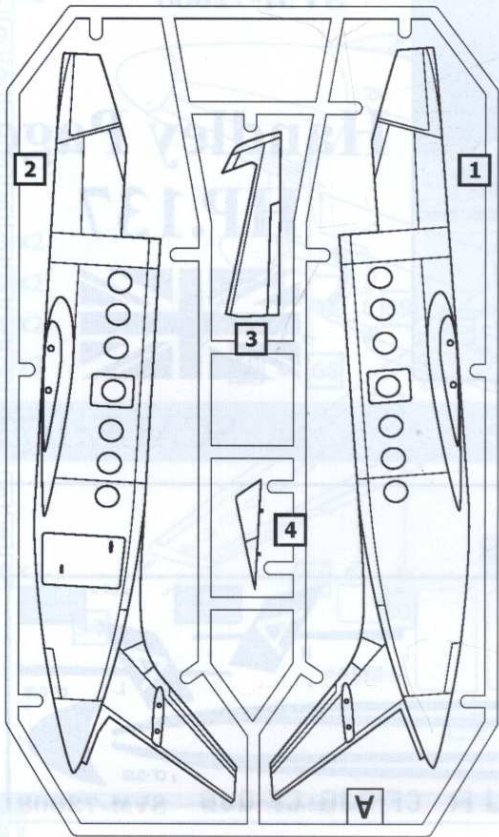
SYMBOLS

- |                                  |                   |               |
|----------------------------------|-------------------|---------------|
| <b>1</b> STAGES OF ASSEMBLY      | TO PAINT          | TO BEND       |
| <b>1</b> NUMBER PARTS            | GLUE              | SCRATCH BUILT |
| APPLY DECALS                     | DON'T GLUE        | OPEN HOLE     |
| <b>x2</b> QUANTITY OF OPERATIONS | НА ВИБІР ОПЦІОНАЛ | CAT OUT       |

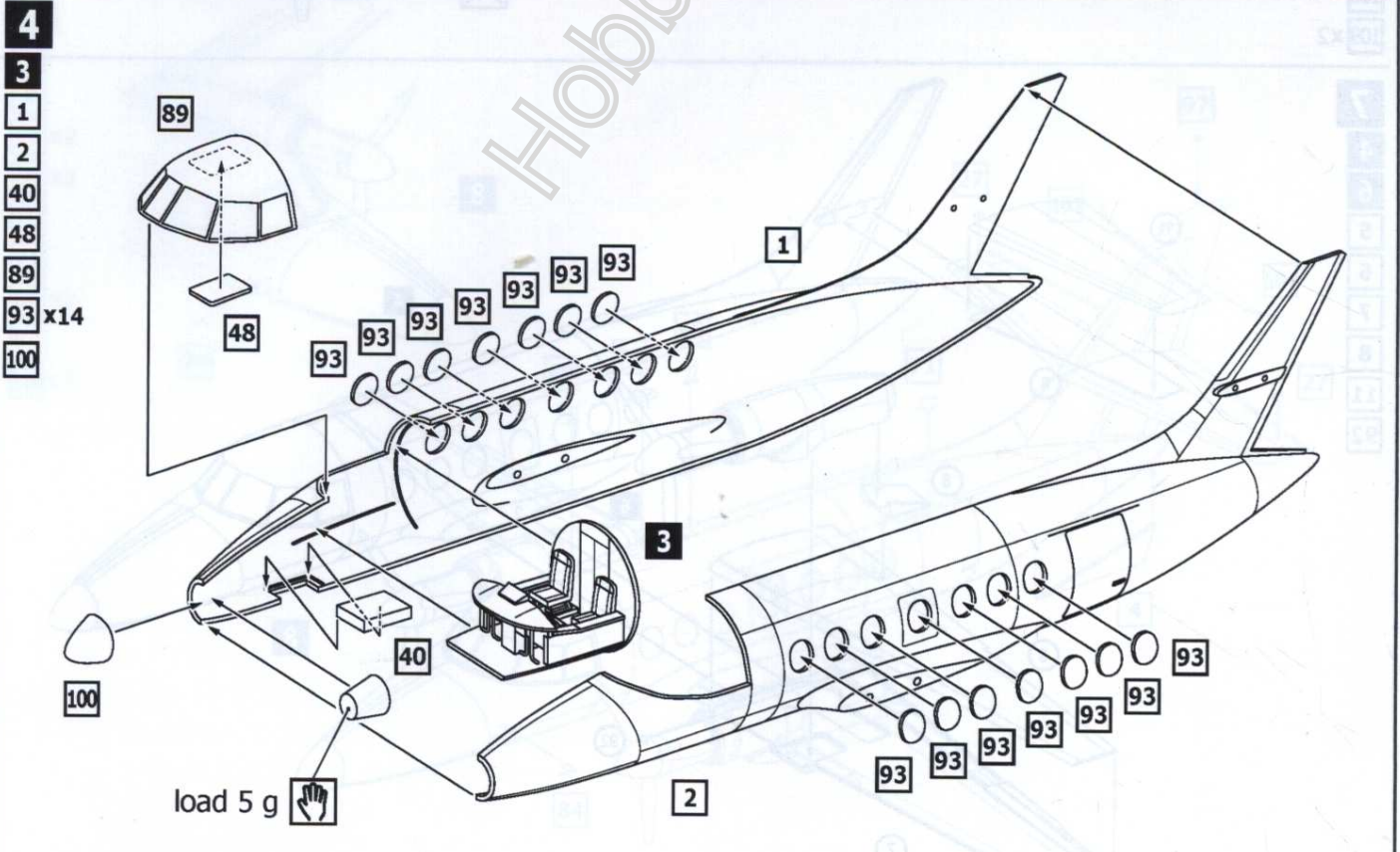
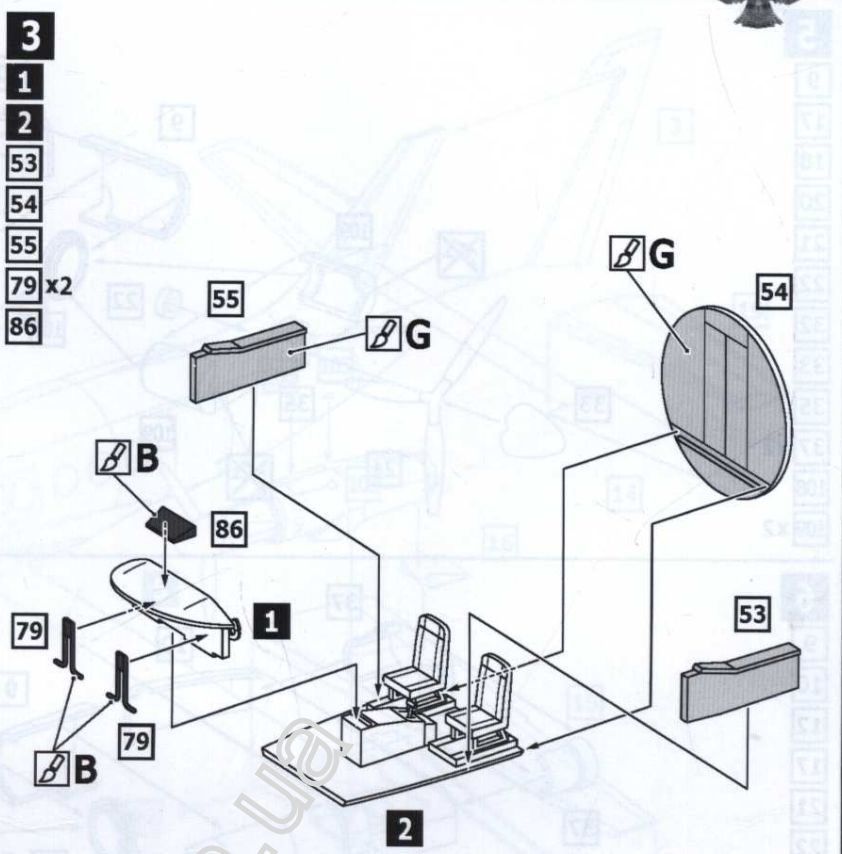
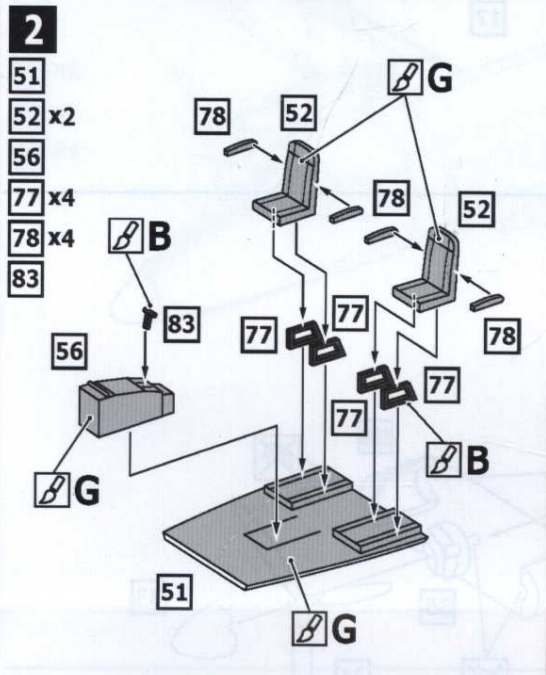
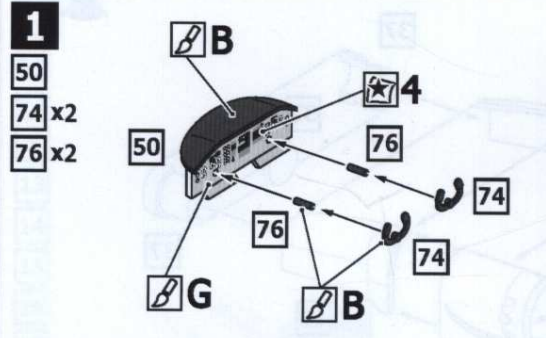
# SET OF THE PARTS



PARTS NOT FOR USE



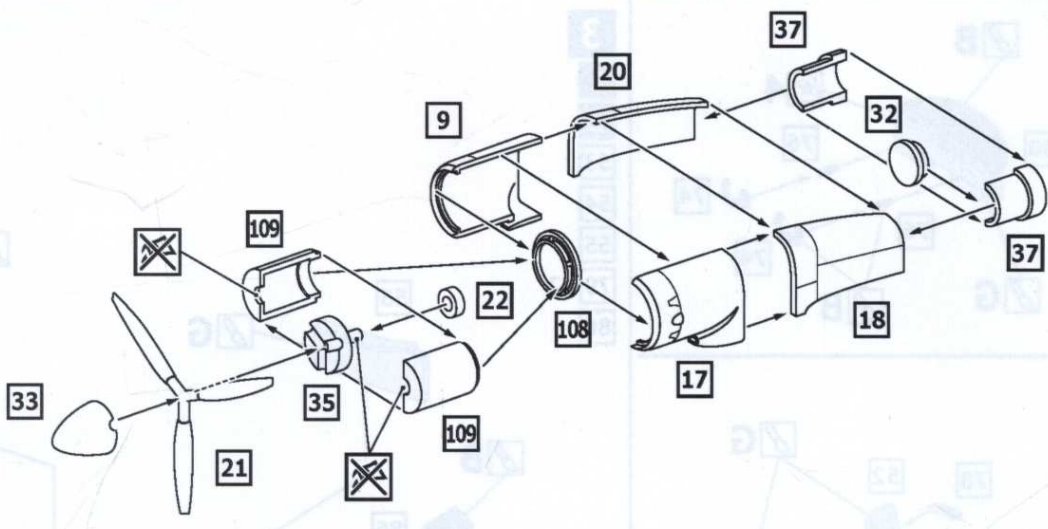
# ASSEMBLY INSTRUCTION



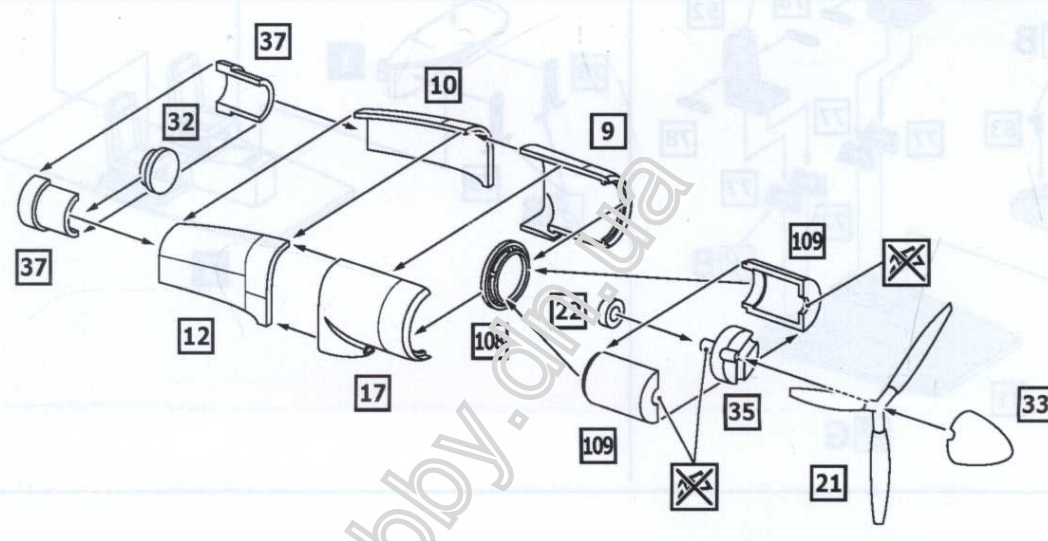
# ASSEMBLY INSTRUCTION



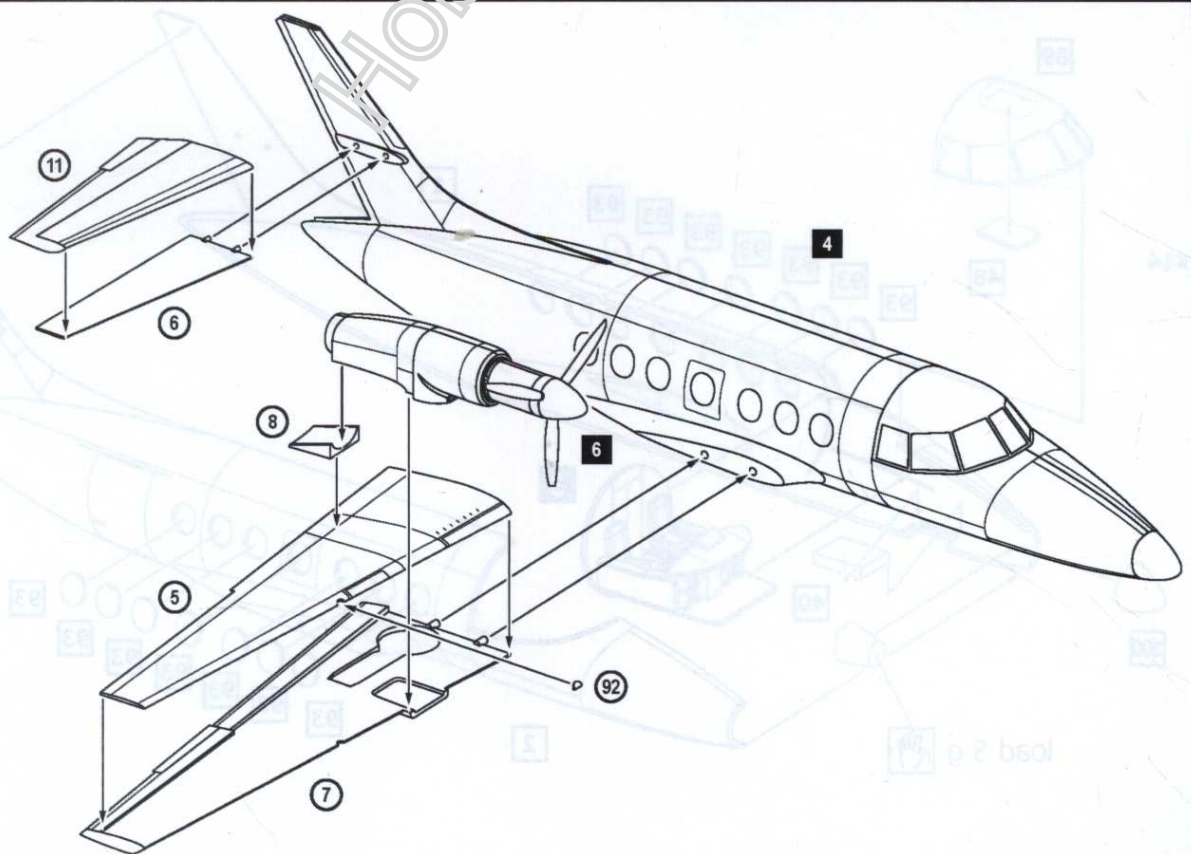
- 5**
- 9
- 17
- 18
- 20
- 21
- 22
- 32
- 33
- 35
- 37 x2
- 108
- 109 x2



- 6**
- 9
- 10
- 12
- 17
- 21
- 22
- 32
- 33
- 35
- 37 x2
- 108
- 109 x2



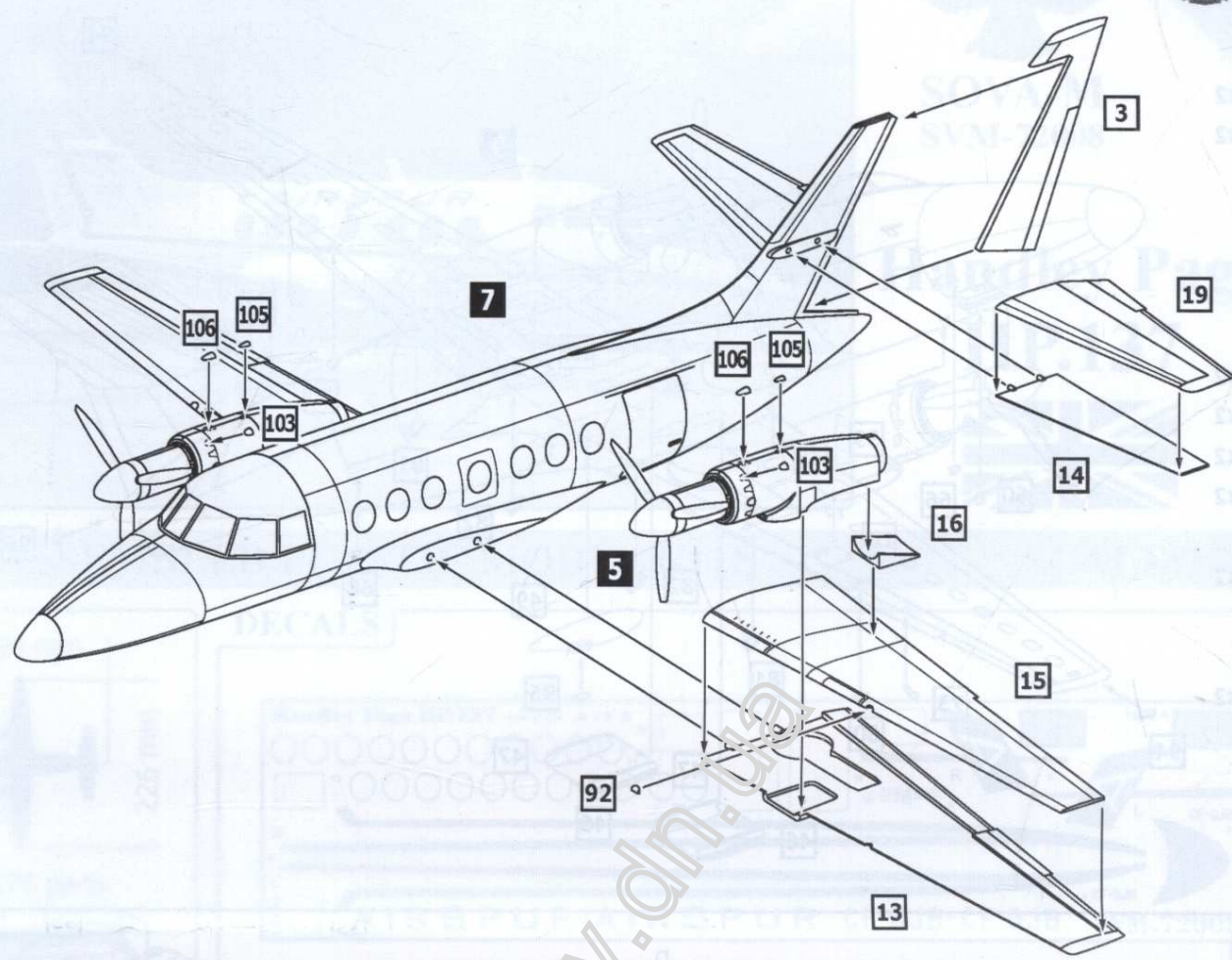
- 7**
- 4
- 6
- 5
- 6
- 7
- 8
- 11
- 92



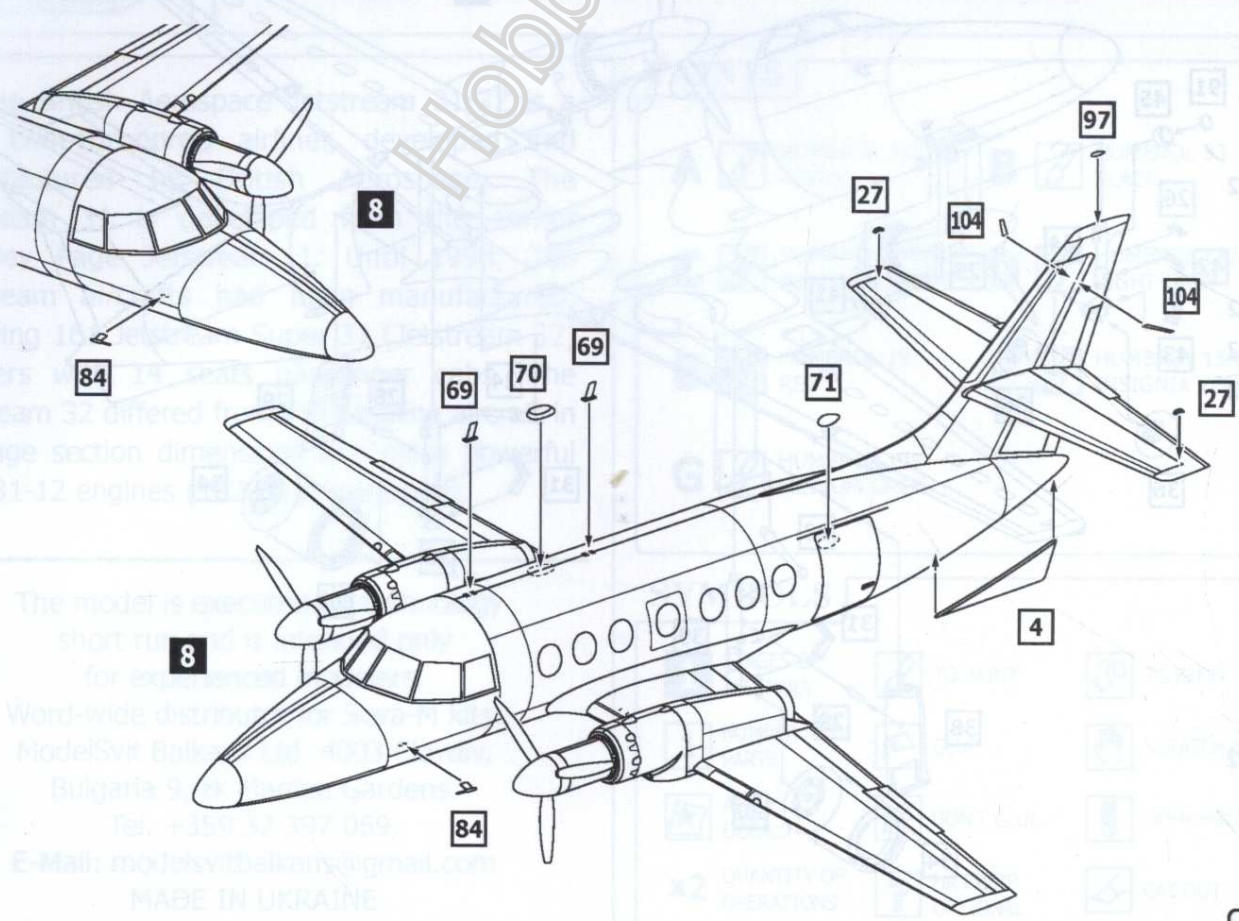
# ASSEMBLY INSTRUCTION



- 8**
- 5**
- 7**
- 3**
- 13**
- 14**
- 15**
- 16**
- 19**
- 92**
- 103 x2**
- 105 x2**
- 106 x2**



- 9**
- 8**
- 4**
- 27 x2**
- 69 x2**
- 70**
- 71**
- 84 x2**
- 97**
- 104 x2**



# ASSEMBLY INSTRUCTION



**10**

**9**

**46** x2

**47** x2

**49**

**59**

**60**

**66**

**68**

**73** x2

**80** x2

**81** x2

**82** x2

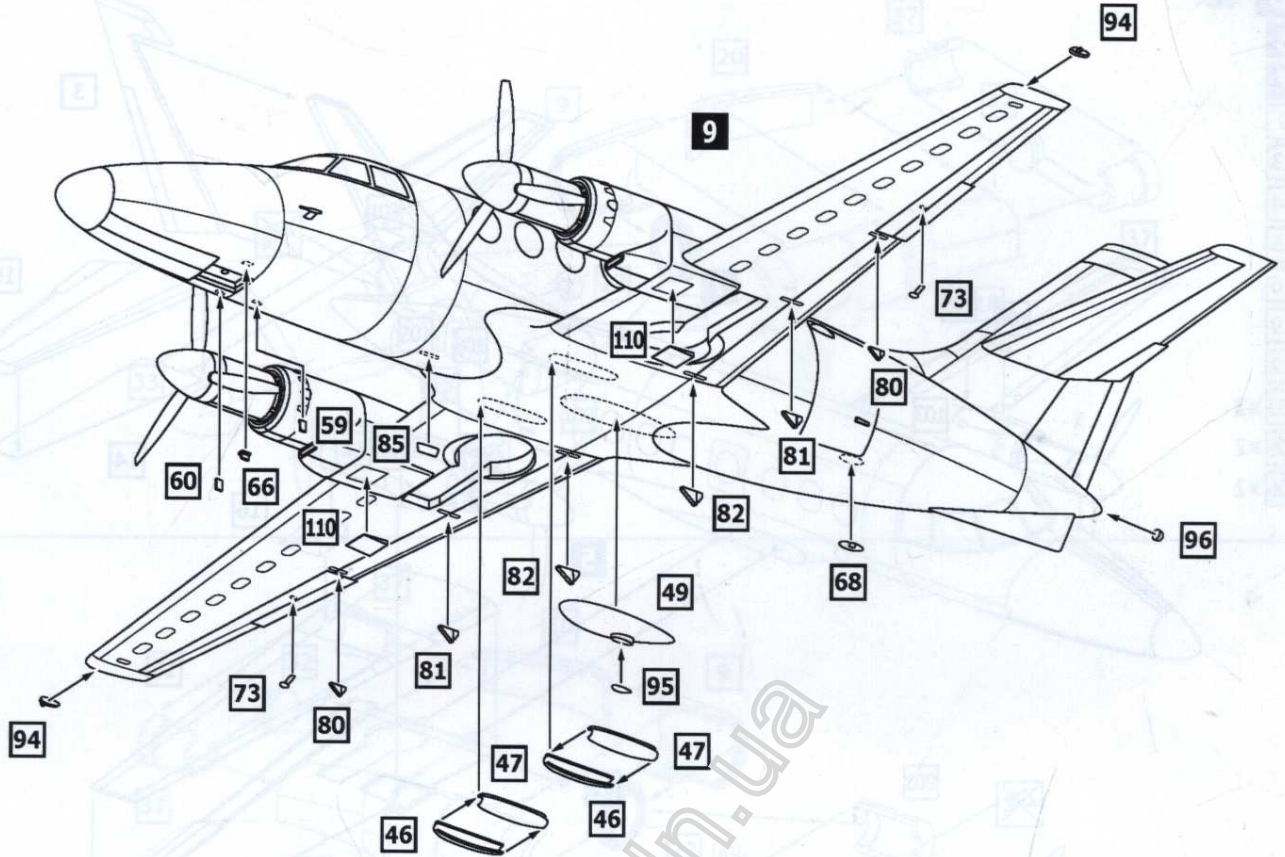
**85**

**94** x2

**95**

**96**

**110** x2



**11**

**10**

**23**

**24**

**25**

**26**

**28** x2

**29**

**30**

**31** x2

**34** x2

**36** x2

**38**

**39**

**41**

**42**

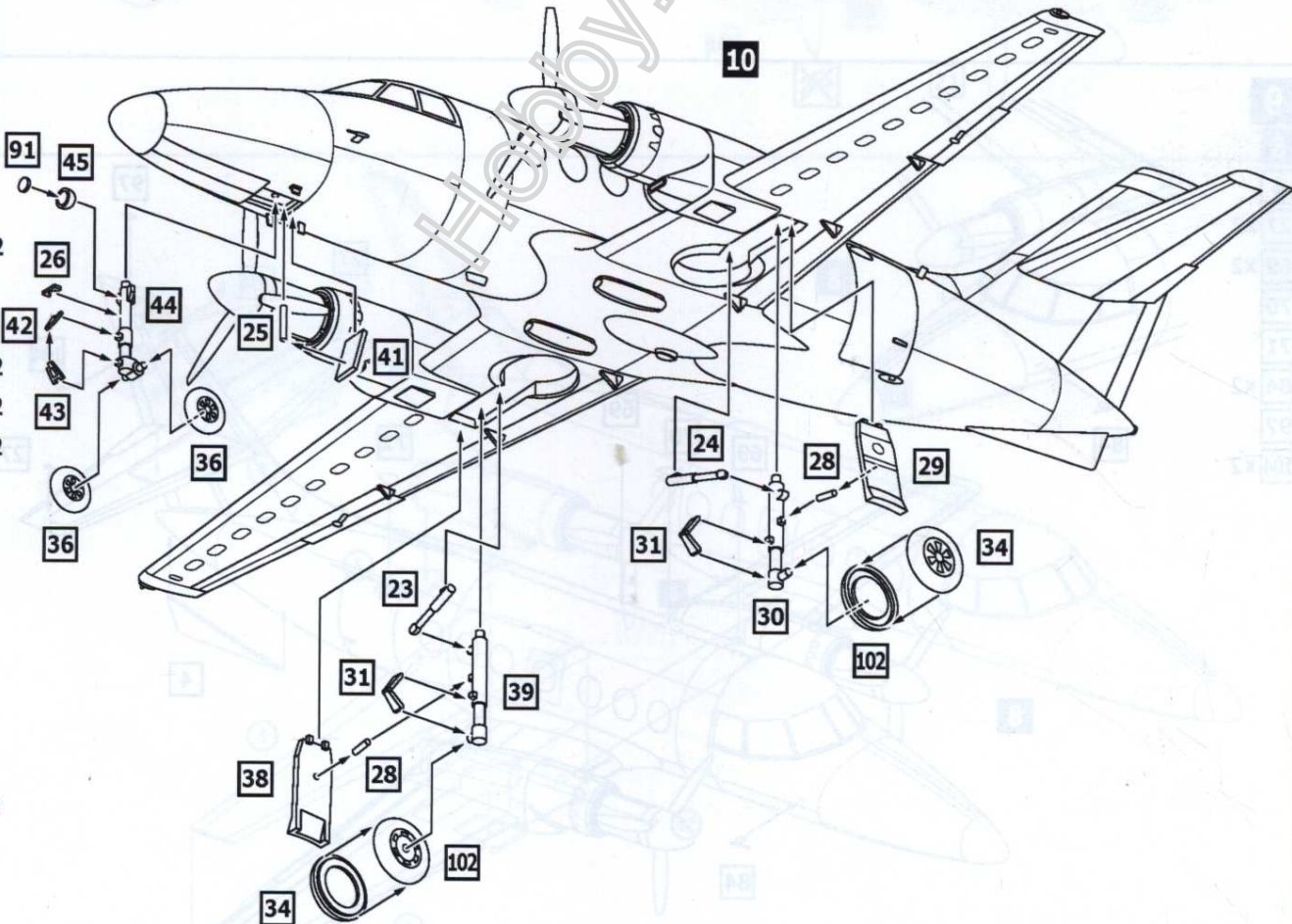
**43**

**44**

**45**

**91**

**102** x2



# MARKING & PAINTING

Handley Page HP.137

