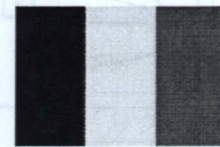




LIMITED EDITION

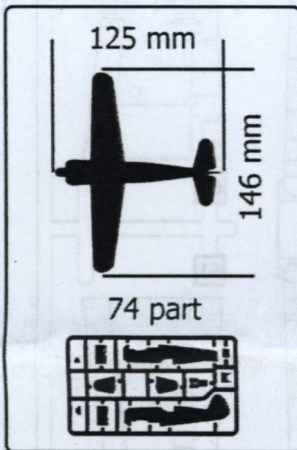
SOVA-M
SVM-72012

IAR-81C

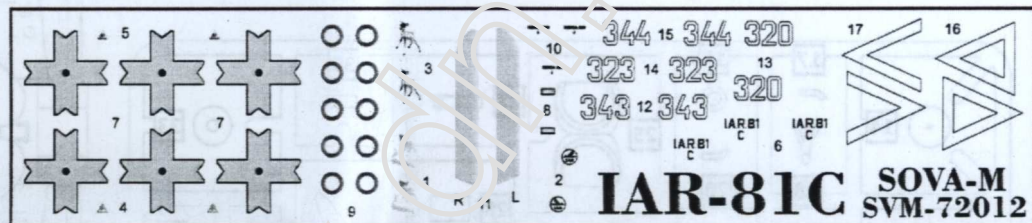


UNASSEMBLED PLASTIC MODEL KITS

SCALE:1/72



DECALS



FOUR VERSIONS OF COLOURING

PAINTS

- | | |
|-----------------------------------|-----------------------------------|
| A HUMBROL 30
DARK GREEN | B HUMBROL 29
DARK EARTH |
| C HUMBROL 65
LIGHT BLUE | D HUMBROL 24
YELLOW |
| E HUMBROL 33
BLACK | F HUMBROL 113
RUST |
| G HUMBROL 64
LIGHT GREY | H HUMBROL 25
BLUE |
| K HUMBROL 19
RED | L HUMBROL 62
LEATHER |
| M HUMBROL 53
GUN METAL | N HUMBROL 34
WHITE |

SYMBOLS

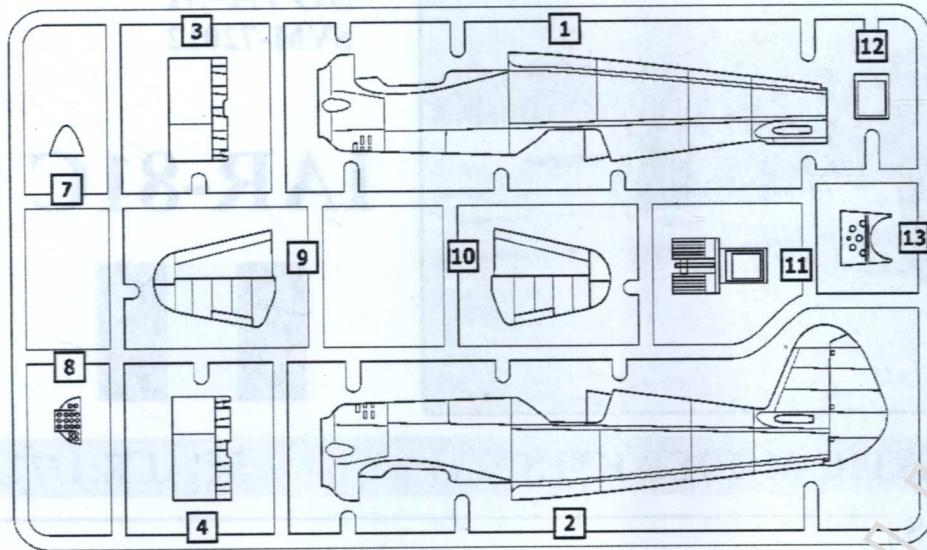
- | |
|--|
| 1 STAGES OF ASSEMBLY TO PAINT TO BEND |
| 1 NUMBER PARTS GLUE SCRATCH BUILT |
| APPLY DECALS DON'T GLUE OPEN HOLE |
| x2 QUANTITY OF OPERATIONS НА ВИБІР OPTIONAL CAT OUT |

The IAR-80 fighter was developed by Romanian company IAR Brasov. In April 1939, chief pilot Dumitru Popescu lifted the aircraft up in the air for a first time. Production flight tests took place at the aerodrome in Brasov. Shown performance turned out to be very good and after a number of developments the IAR-80 was put into serial production. The aircraft came in such modifications as IAR-80/A/B/C, IAR-81/A/B/C, differed mostly in engines and armaments. The IAR-80 and IAR-81 fighters had been actively used on the eastern front line until the summer of 1943. After that all aircrafts were transferred in Romania for the state petroleum complex defense.

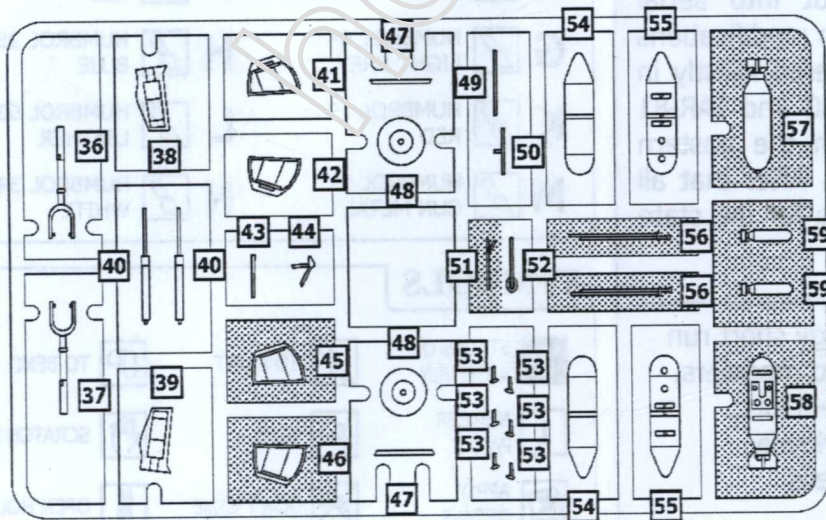
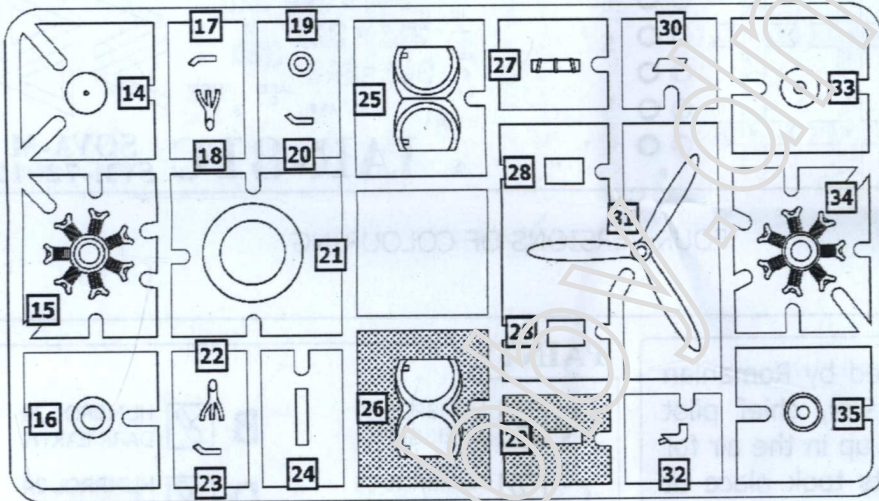
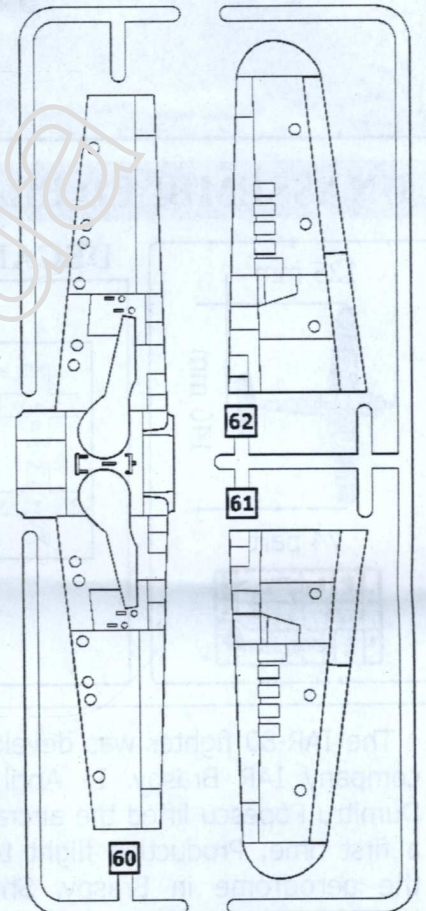
The model is executed on technology short run and is intended only for experienced modelers.

Word-wide distributor for Sova-M kits:
ModelSvit Balkans Ltd. 4003 Plovdiv,
Bulgaria 9, zk Maritza Gardens.
Tel. +359 32 397 069,
E-Mail: modelsvitbalkans@gmail.com
MADE IN UKRAINE

SET OF THE PARTS



PARTS NOT FOR USE

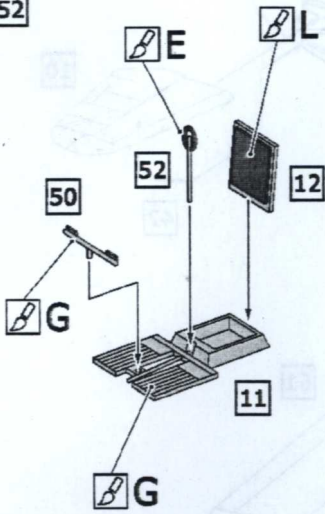


ASSEMBLY INSTRUCTION



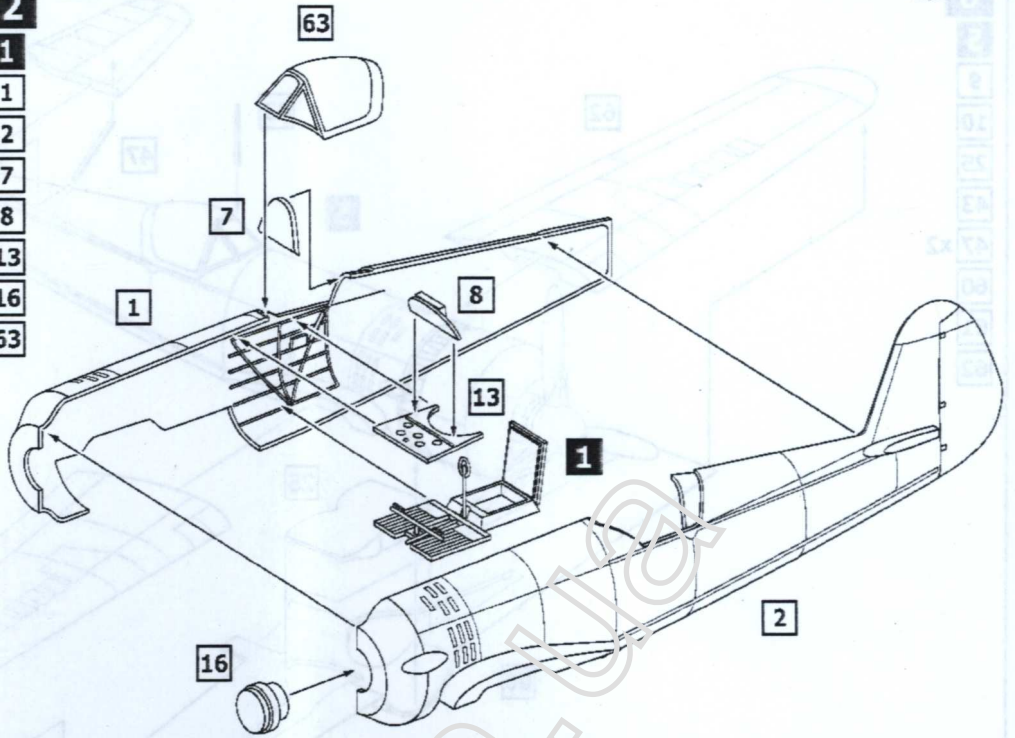
1

- 11
- 12
- 50
- 52



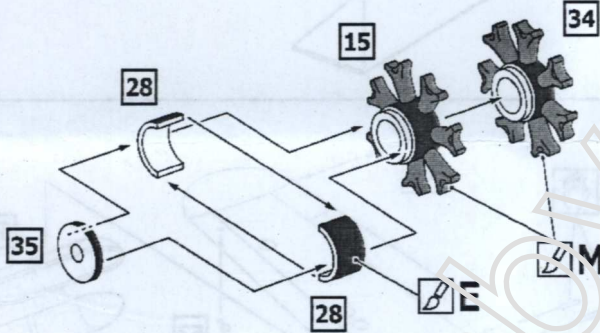
2

- 1
- 1
- 2
- 7
- 8
- 13
- 16
- 63



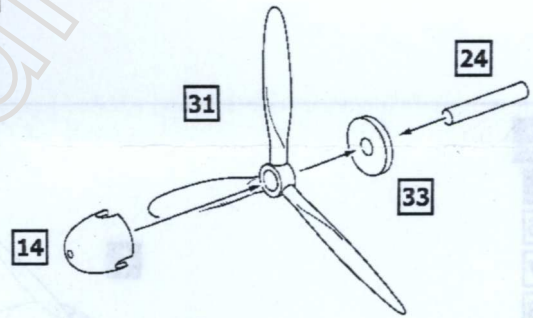
3

- 15
- 28 x2
- 34
- 35



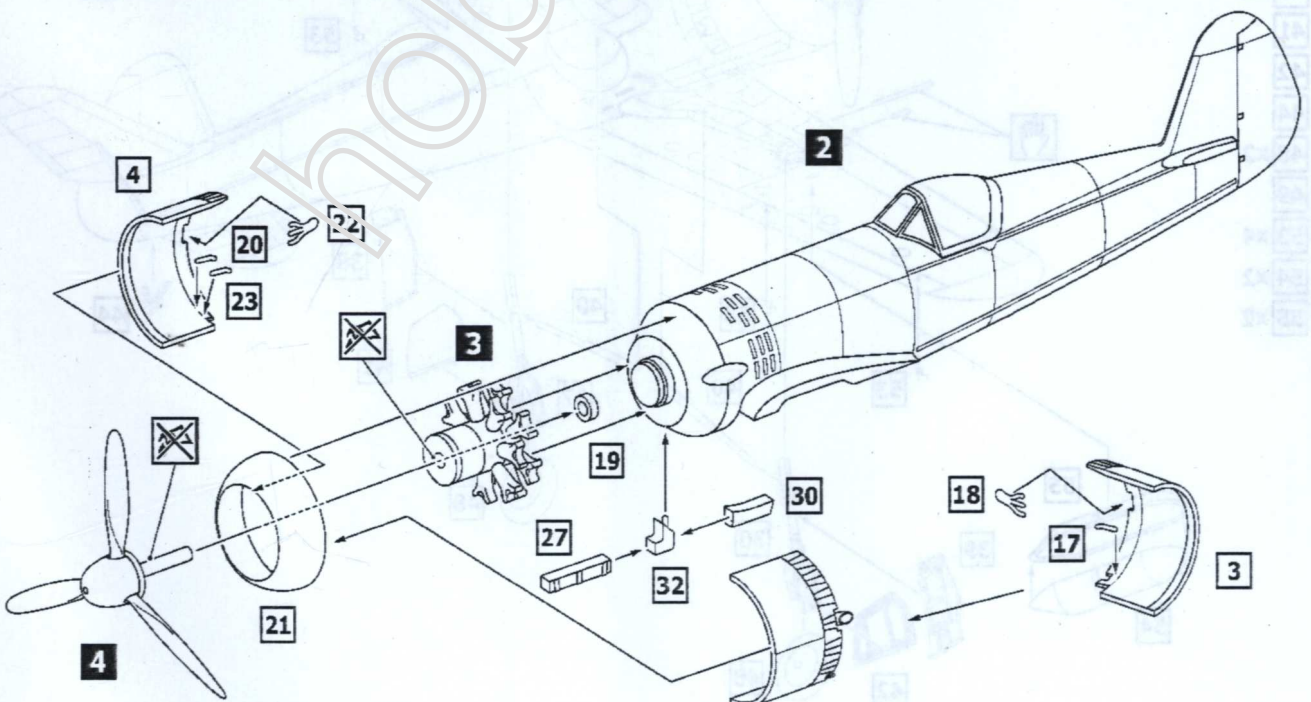
4

- 14
- 24
- 24
- 24
- 33



5

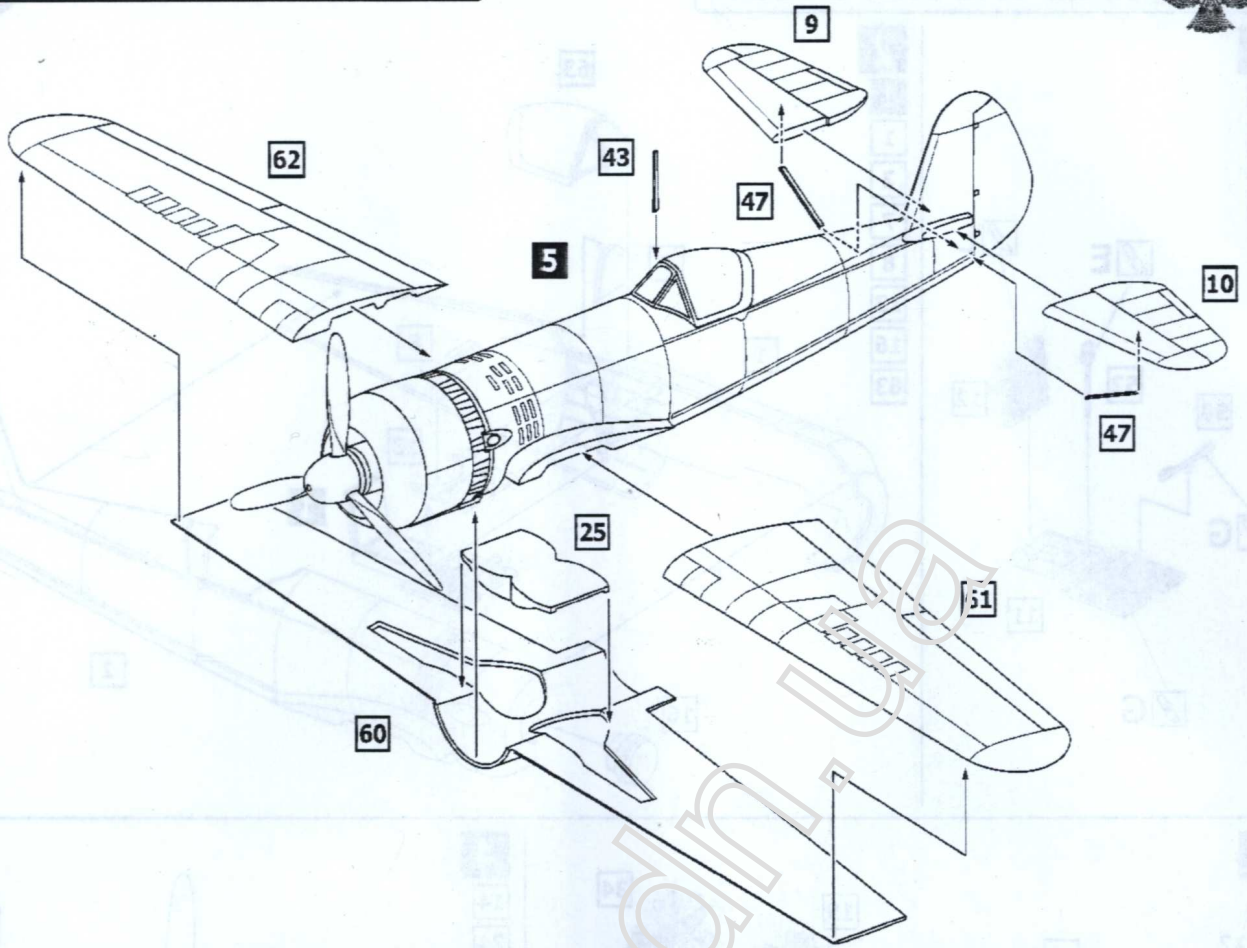
- 2
- 3
- 4
- 3
- 4
- 17
- 18
- 19
- 20
- 21
- 22
- 23
- 27
- 30
- 32



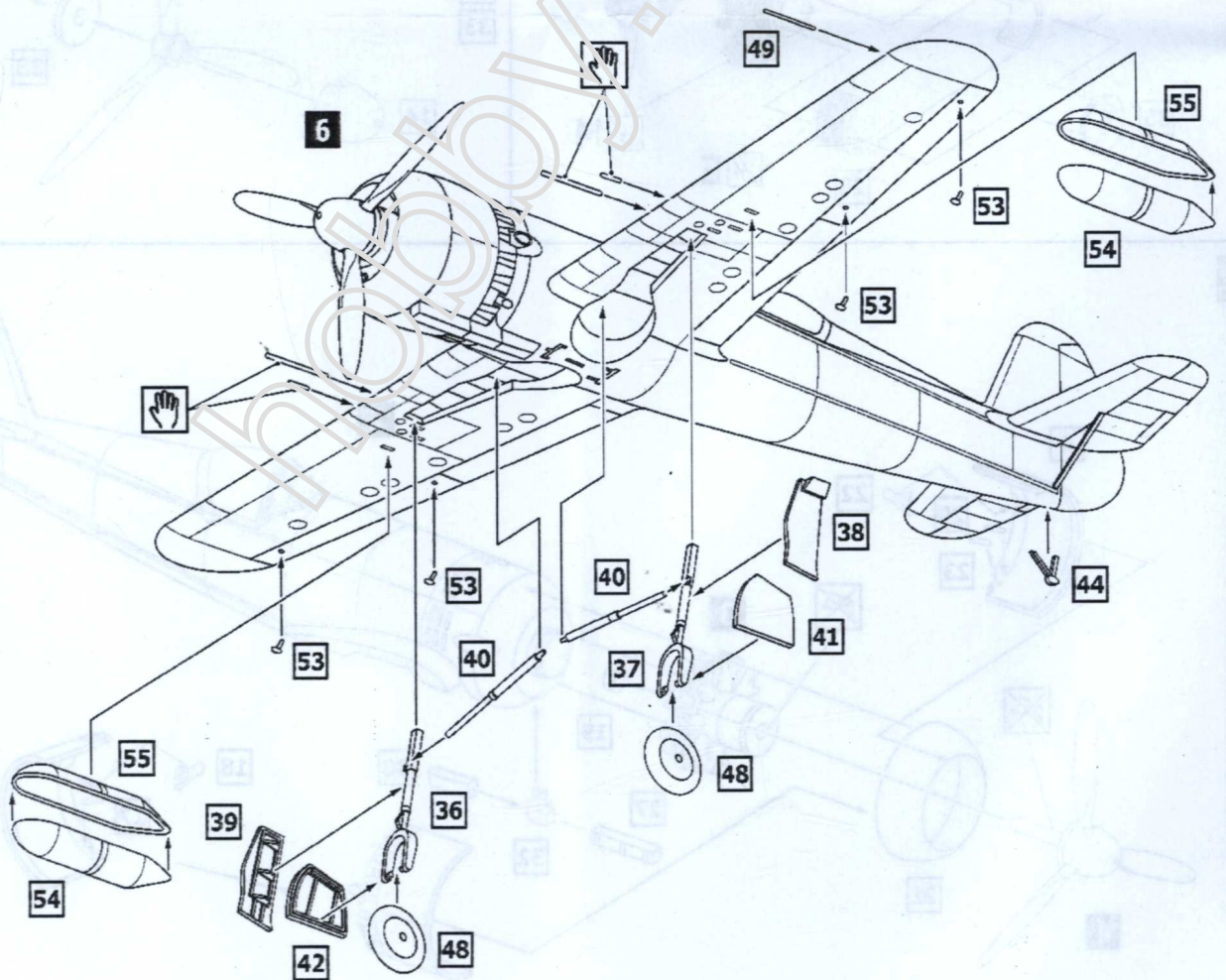
ASSEMBLY INSTRUCTION



- 6**
- 5**
- 9**
- 10**
- 25**
- 43**
- 47 x2**
- 60**
- 61**
- 62**



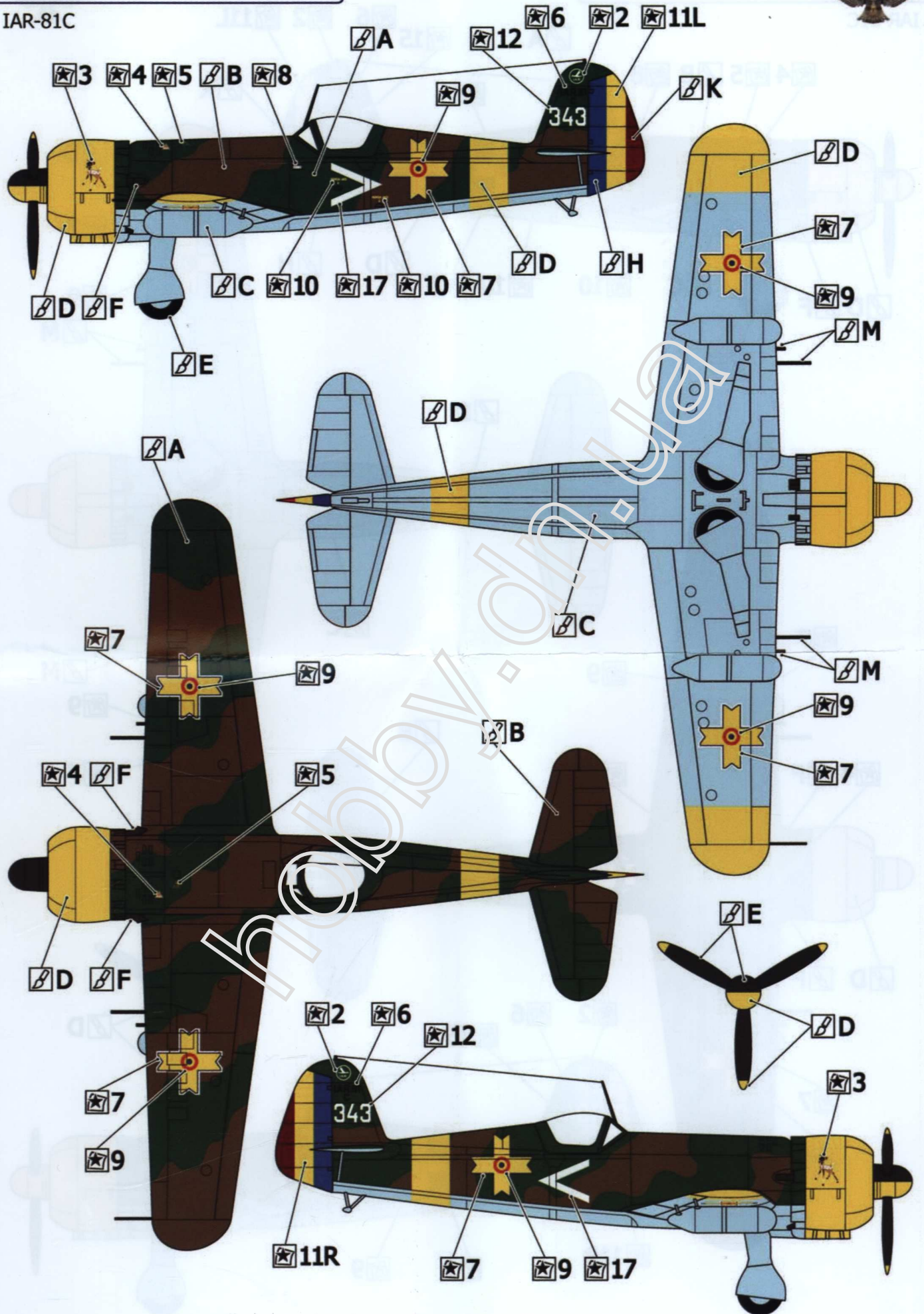
- 7**
- 6**
- 36**
- 37**
- 38**
- 39**
- 40 x2**
- 41**
- 42**
- 44**
- 48 x2**
- 49**
- 53 x4**
- 54 x2**
- 55 x2**



MARKING & PAINTING

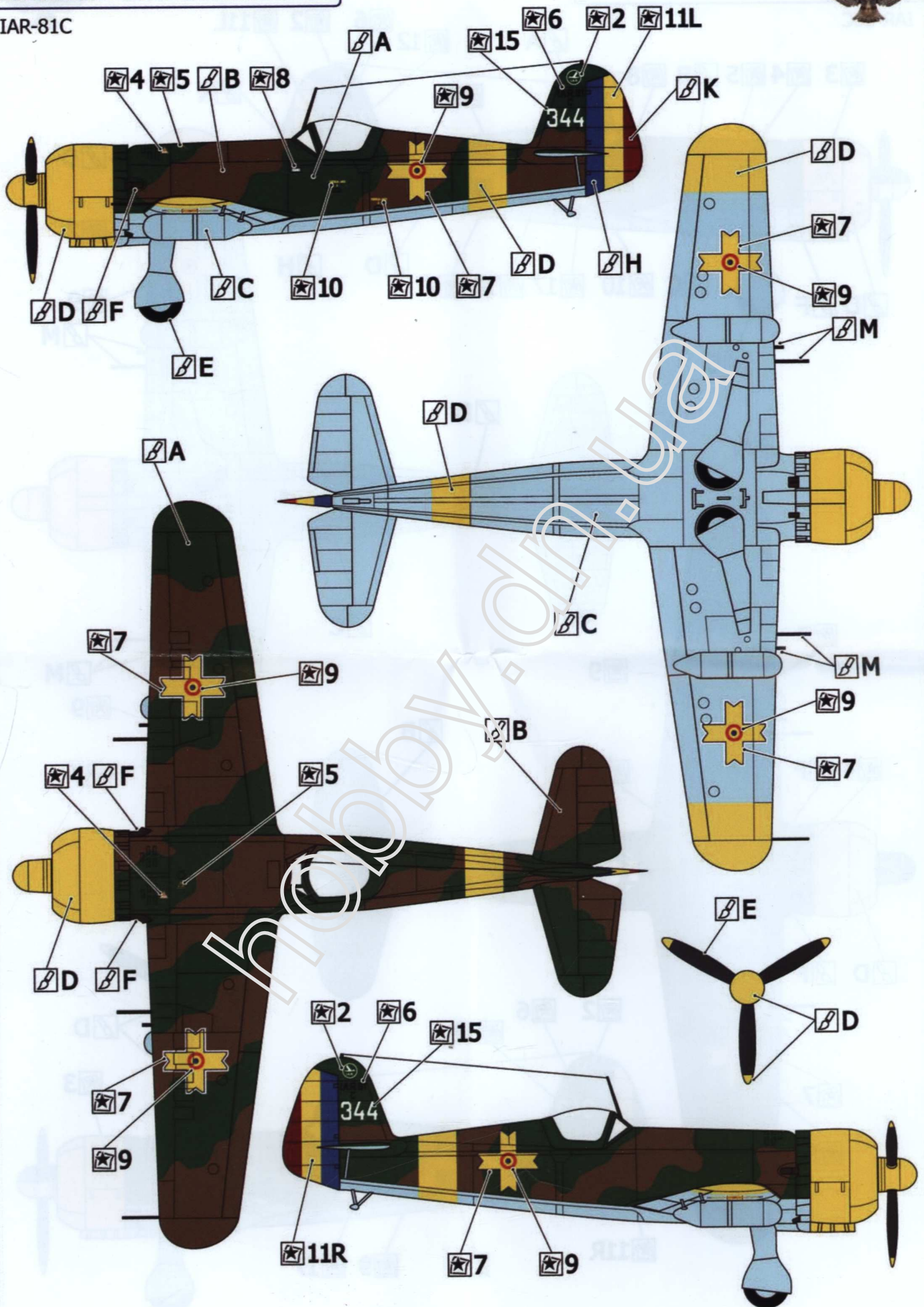


IAR-81C



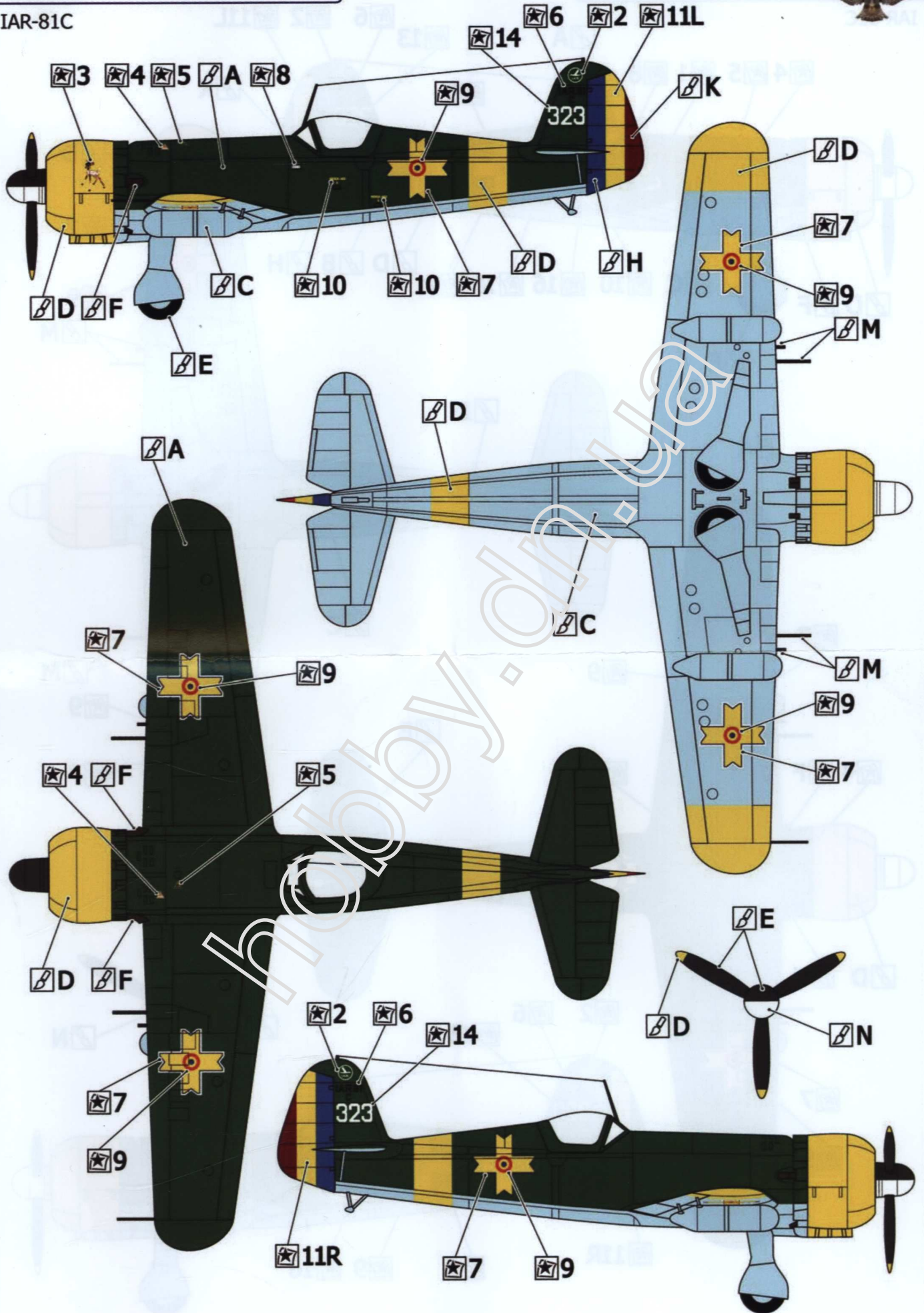
MARKING & PAINTING

IAR-81C



MARKING & PAINTING

IAR-81C



MARKING & PAINTING

IAR-81C

