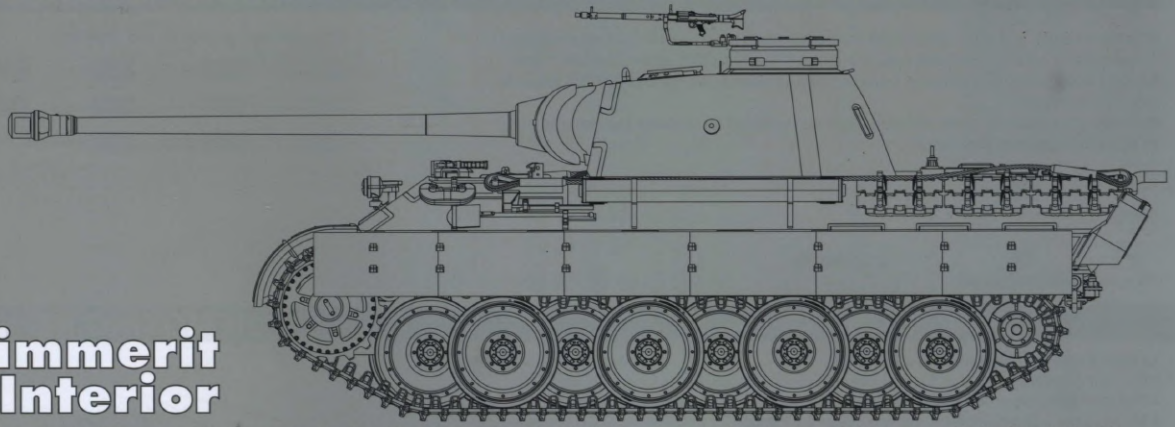


# PANTHER Ausf.D LATE Production

## Sd.Kfz. 171



**W/ Zimmerit**  
**Full Interior**

When the German Panzer IV met the Russian T-34 in June 1941, they were humiliated by being outclassed by the T-34, so a group of weapons specialists were sent to the Russian front to analyze the T-34's design. With these results, Daimler-Benz (DB) and Maschinenfabrik Augsburg (MAN) were both tasked with providing designs for a 30-ton medium tank by April 1942. The MAN design was accepted in May 1942, mainly because it was able to use an existing turret designed by Rheinmetall-Borsig, saving valuable time needed to design a new turret required with the DB design.

The Panther design adapted many of its successful design characteristics from the T-34. These were mainly the sloped armor, and the wide tracks to make maneuvering in snow conditions of the Eastern front easier). In September 1942 the first prototype was tested and immediately pressed into service. Despite delays in production due to the lack of manufacturing equipment of the hull, the first rushed deliveries to the German Army were completed in December, but the tank was plagued by technical problems. Despite these early issues, the tank was very successful, and due to its high demand on the Eastern Front, the original production of 250 tanks per month at the MAN plant, was increased to 400 tanks per month in January in 1943, which resulted in production also being allocated to the Daimler-Benz, Maschinenfabrik Niedersachsen-Hannover (MNH), and the Henschel & Sohn plants to meet production quotas. Due to Allied bombing throughout the war, the required production amount was never met and only 6,000 in total were built.

The 700hp Maybach V-12 petrol engine with its seven-speed AK 7-200 synchromesh gearbox designed by ZF, was fitted with a governor in late 1943 to minimize engine failures by limiting the engine revolutions to 2500 rpm and reducing its power to 600 hp. This reduced the Panthers top speed from 55 km/h to 46 km/h. The Panther had a five-man crew: the driver, radio operator, gunner, loader, and commander.

The Panther was armed with a semi-automatic 75mm Rheinmetall-Borsig KwK 42 main gun, and could carry 79 rounds of three different types of ammunition: Armour-Piercing Capped Ballistic Capped, (APCBC), High-Explosive (HE) and Armour-Piercing Composite Rigid (APCR). The 75mm cannon on the Panther was one of the most powerful cannons of WWII, and had even greater success at piercing enemy armour than the Tiger I's 88mm cannon. The Panther was also equipped with two 7.92mm M49 Minengewehr 34 (MG-34) for close quarter fighting; one was mounted coaxially with the main cannon and the second was mounted in the front sloping armour and operated by the radio operator. In later production upgrades, a mount was attached to the commander's cupola so a third MG-34 could be mounted for anti-aircraft purposes.

The frontal armor of the Panther consisted of 80mm homogeneous steel plate sloped back at 55 degrees from the vertical, interlocked & welded for strength. This made the Panther's frontal armor less penetrable to Allied and Soviet tanks. The front of the turret was covered by a 100mm cast metal in the shape of a semi-circle, with a curved shape meant to deflect incoming shells. To keep weight down, sacrifice was made to its side armor, which was on average 40mm to 50mm thick, leaving the Panther vulnerable to attacks from the sides by Allied and Soviet tank and anti-tank guns.

03.02.2104

## READ BEFORE ASSEMBLY

### CAUTION

- Read carefully and fully understand the instructions before commencing assembly. A supervising adult should also read the instructions if a child assembles the model.
- When assembling this kit, tools including knives used. Extra care should be taken to avoid personal injury.
- Keep out of reach of small children. Children must not be allowed to suck any part, or pull vinyl bag over their heads.



Optional



Do Not Cement



Remove



Instant Glue for Metal

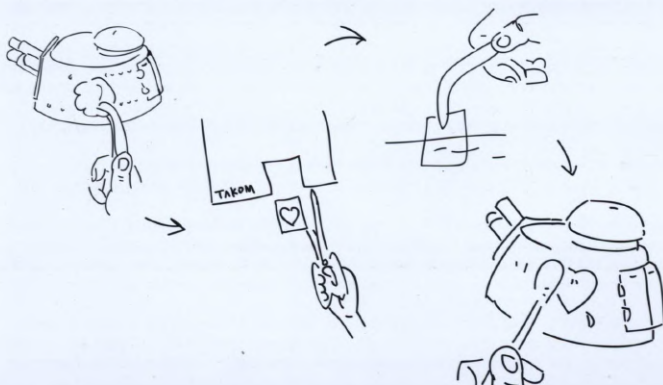
### PAINTS REQUIRED

Color info and profiles by Mig Jimenez

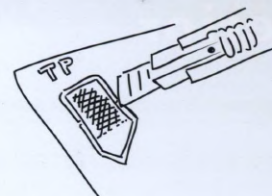
A.MIG 035 Rubber & Tires	A.MIG 036 Dark Tracks	A.MIG 038 Olive Wood	A.MIG 039 Light Wood
A.MIG 040 Medium Rust	A.MIG 045 Gun Metal	A.MIG 080 Crystal Red	A.MIG 085 Crystal Periscope Green
A.MIG 050 Olivegreen Opt.2	A.MIG 610 Dunkelgelb Mid war	A.MIG 615 Schokobraun	

## APPLYING DECALS

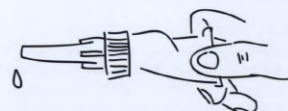
1. Clean the model surface with a wet cloth.
2. Cut out each decal design from sheet, and dip it in tepid water for 15-20 sec.
3. Hold the backing sheet edge and slide decal onto the model.
4. Move decal into position by wetting decal with finger.
5. Press decal gently down with a soft cloth until excess water and air bubbles are gone.



## REMOVING PE



Be careful not to hurt when removing PE parts.



Secure using instant glue (not included).

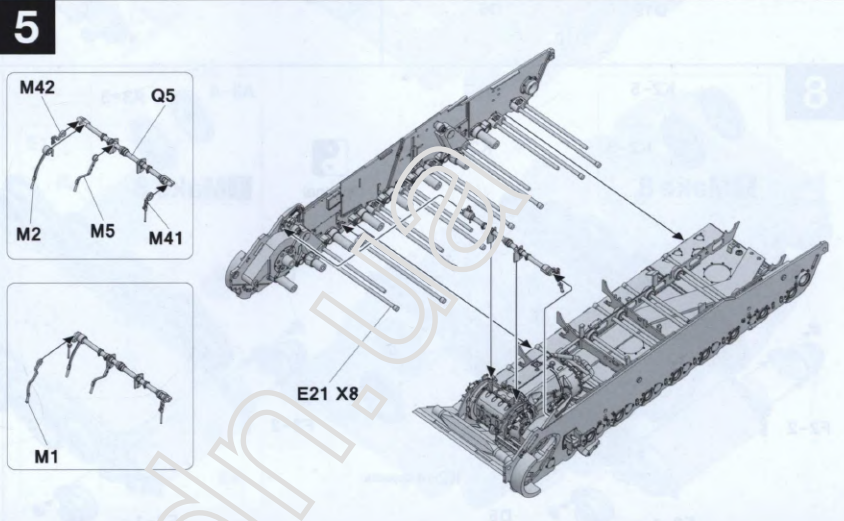
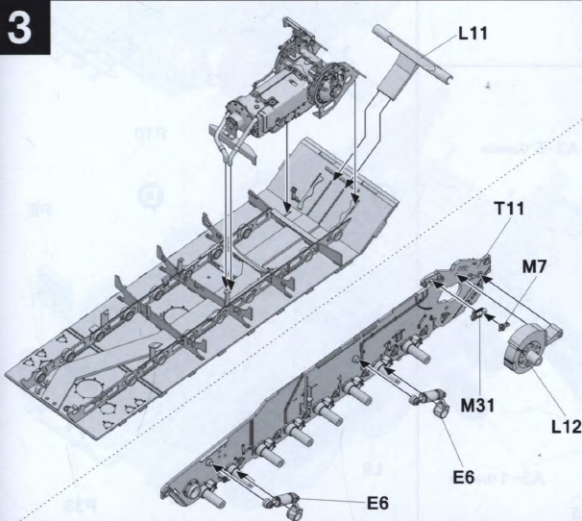
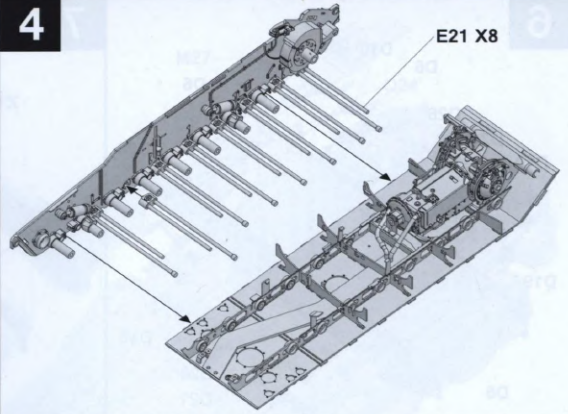
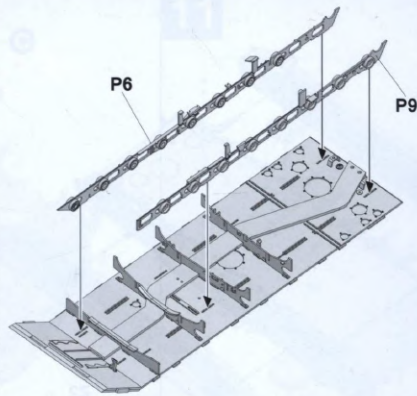
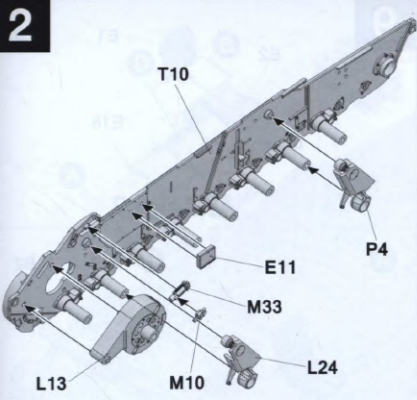


Finish using file.

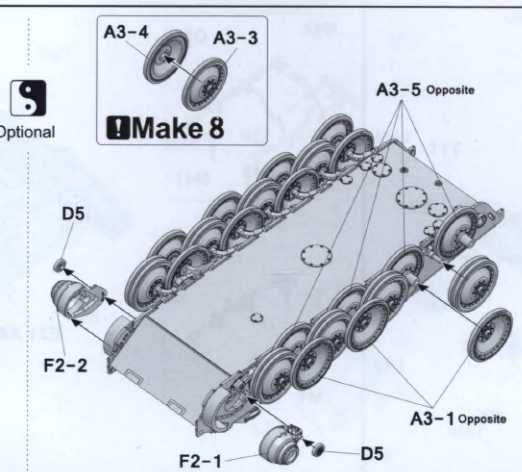
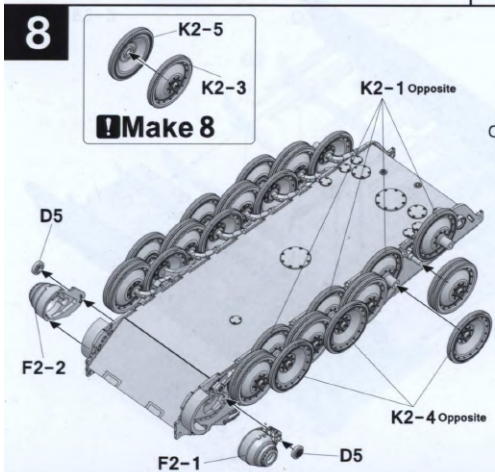
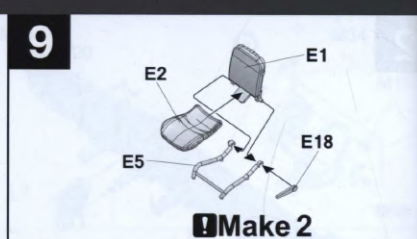
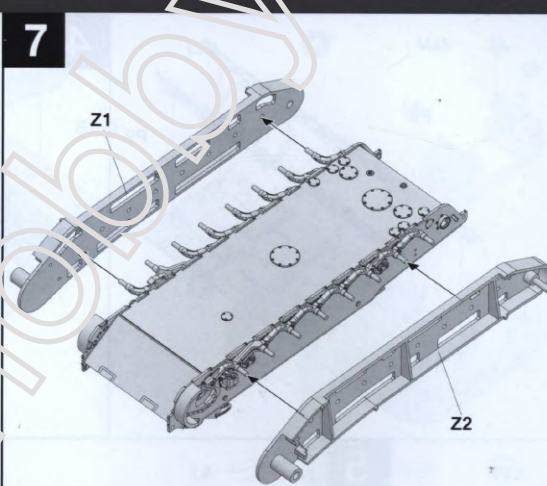
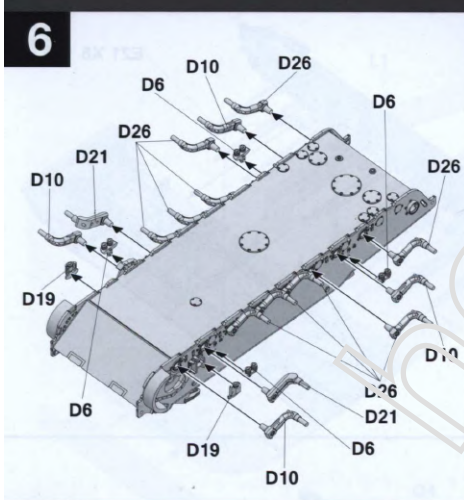




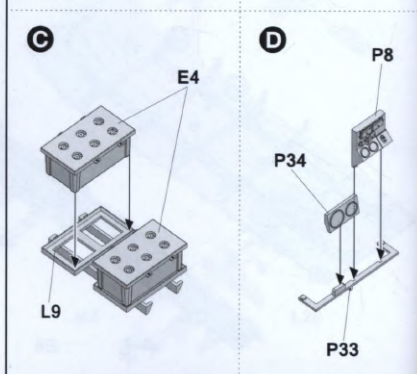
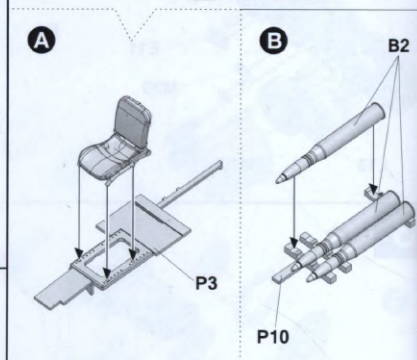




4

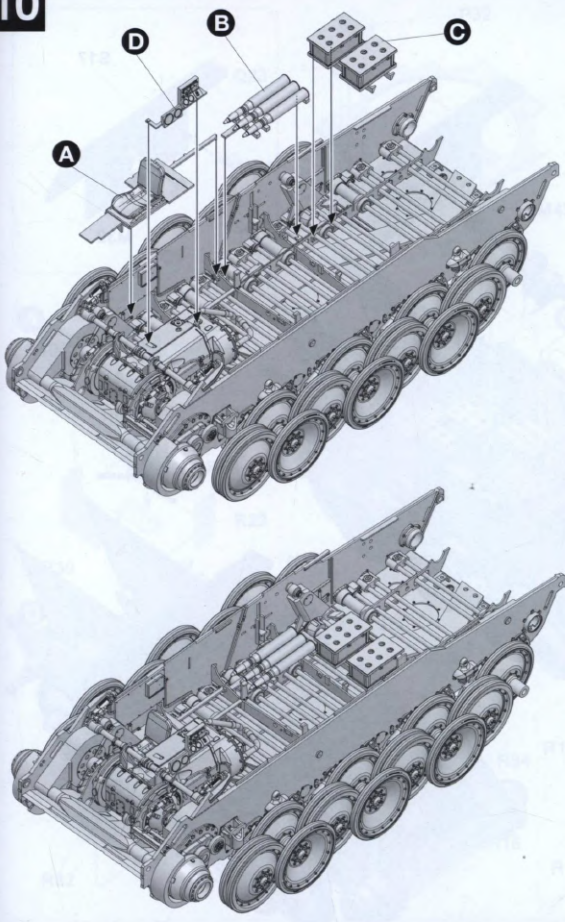


5

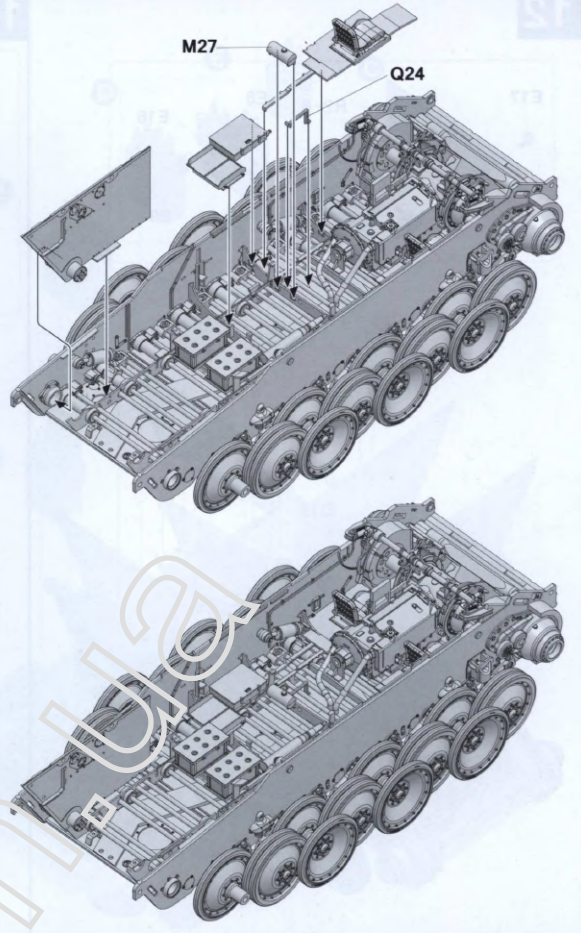
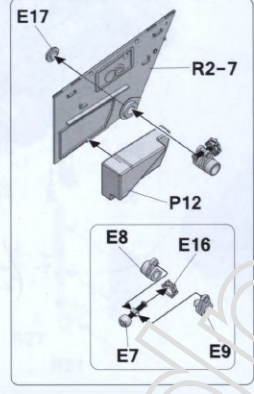
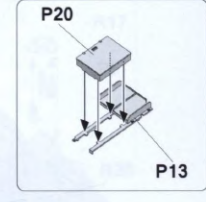
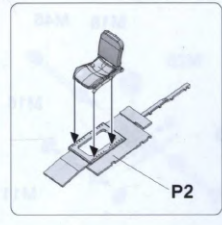




10

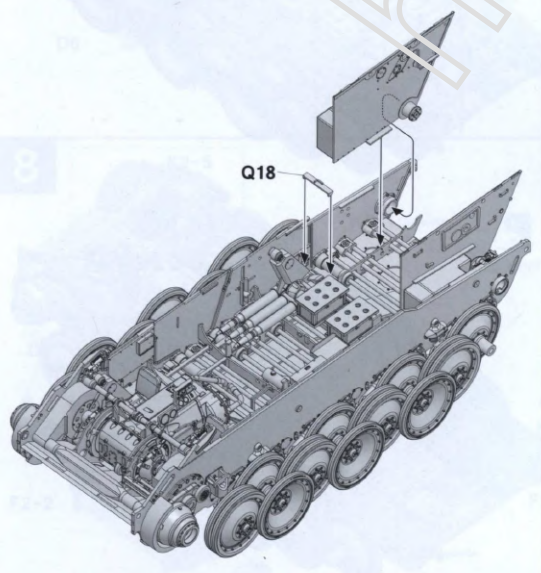
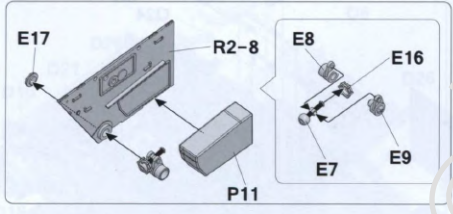


11

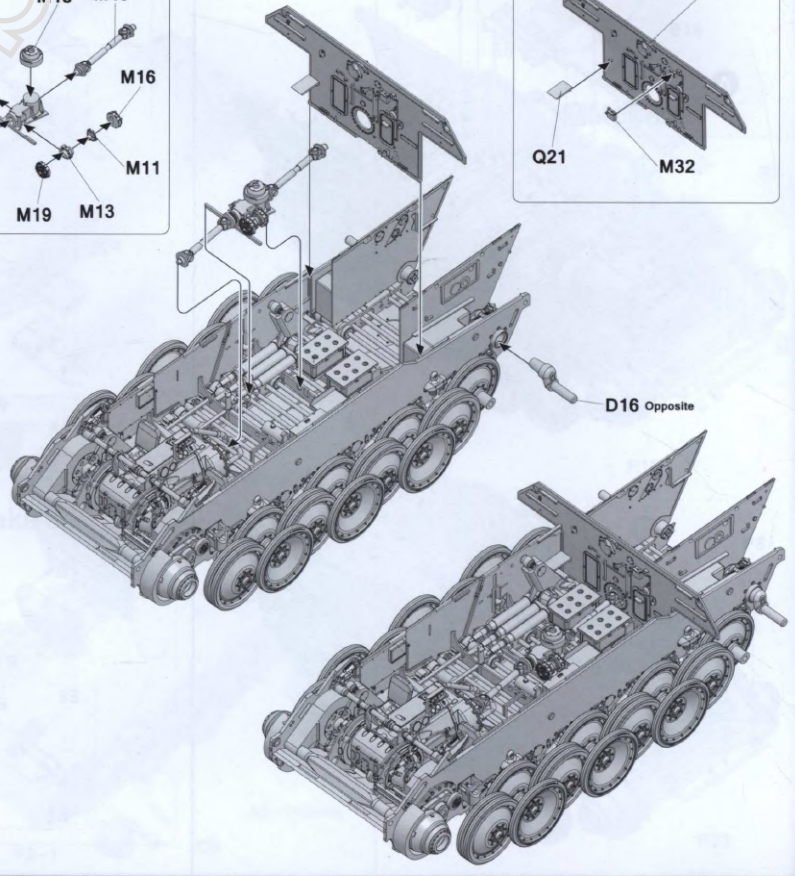
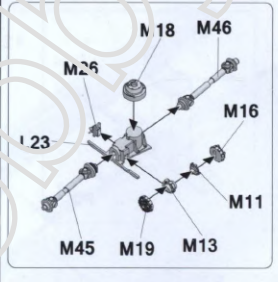


6

12

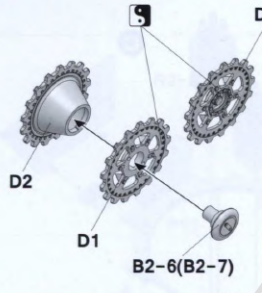
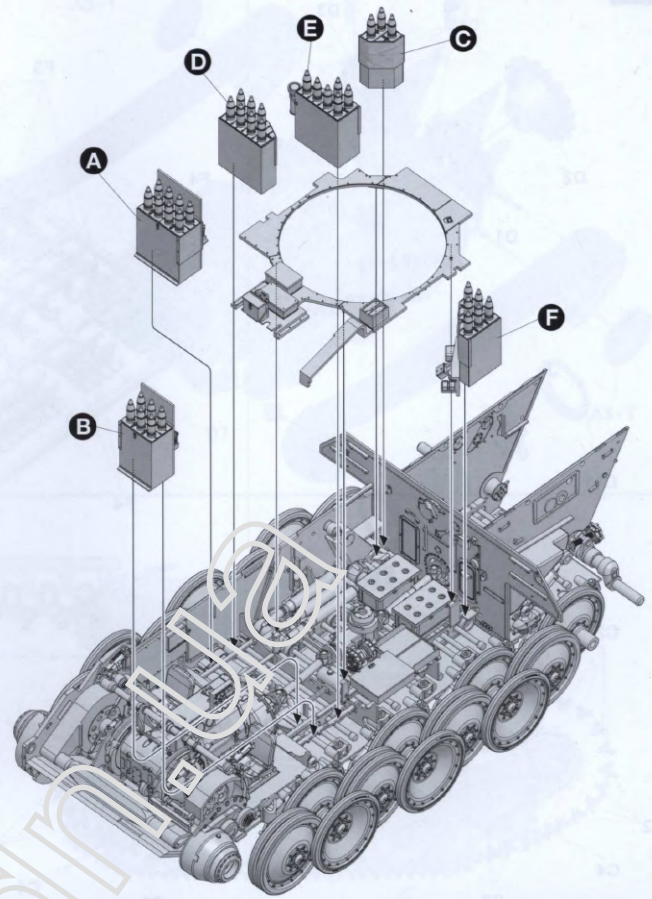
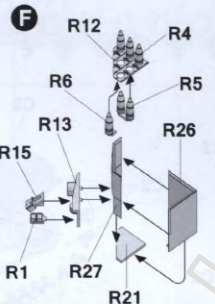
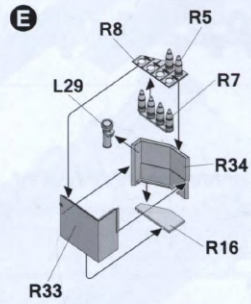
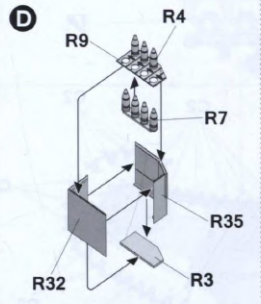
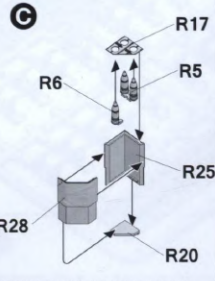
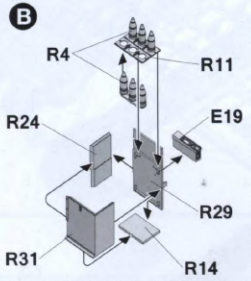
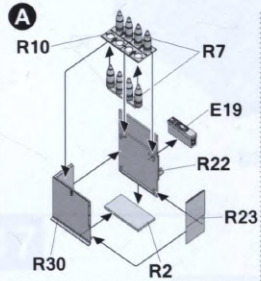
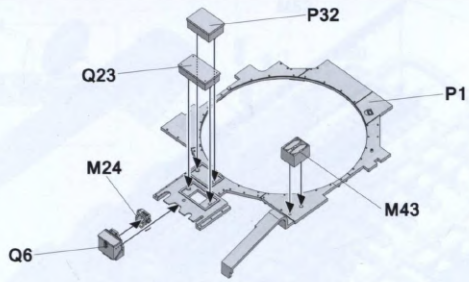


13

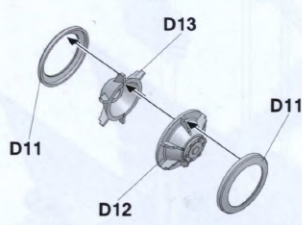


7

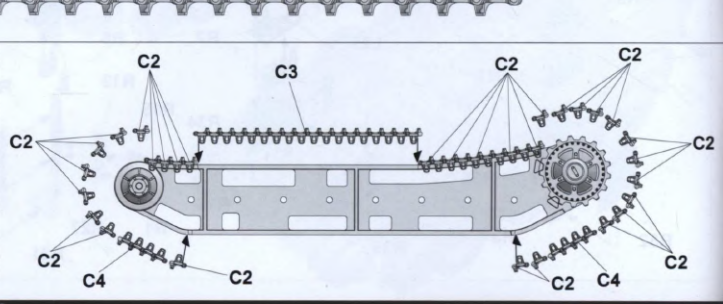
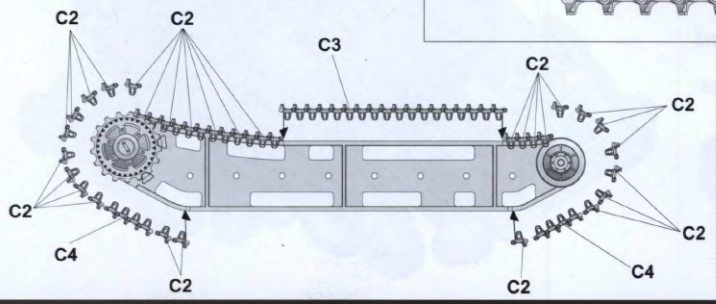
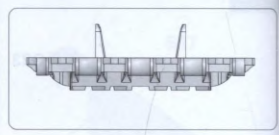
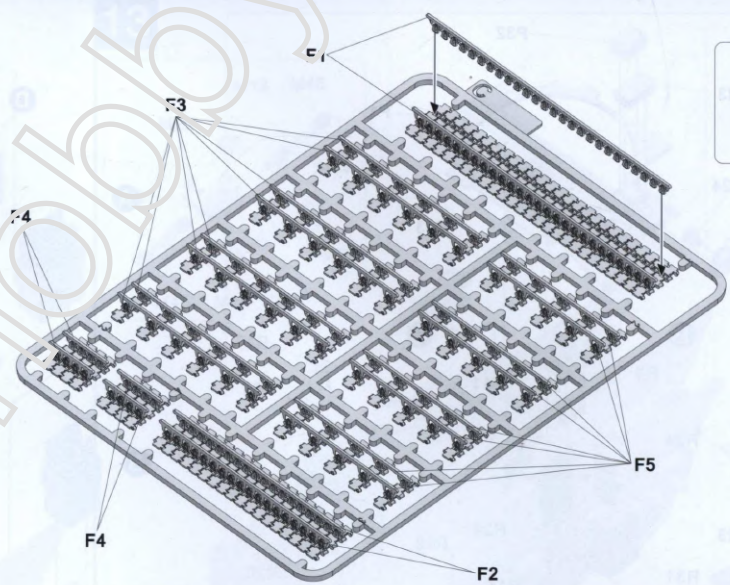




Make 2

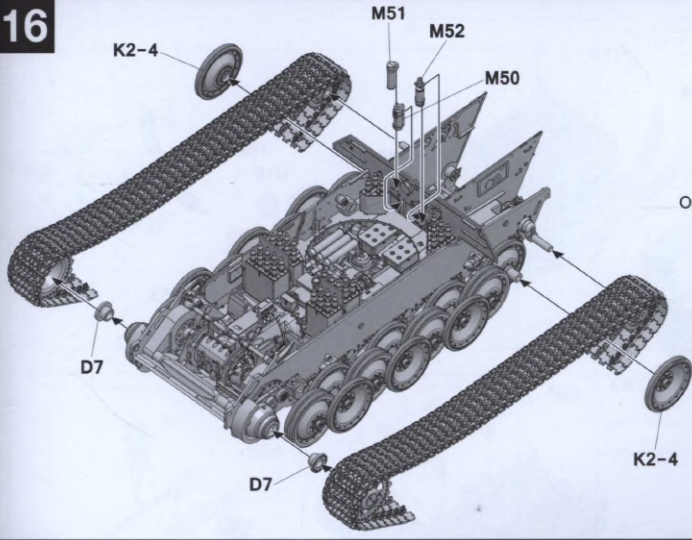


Make 2

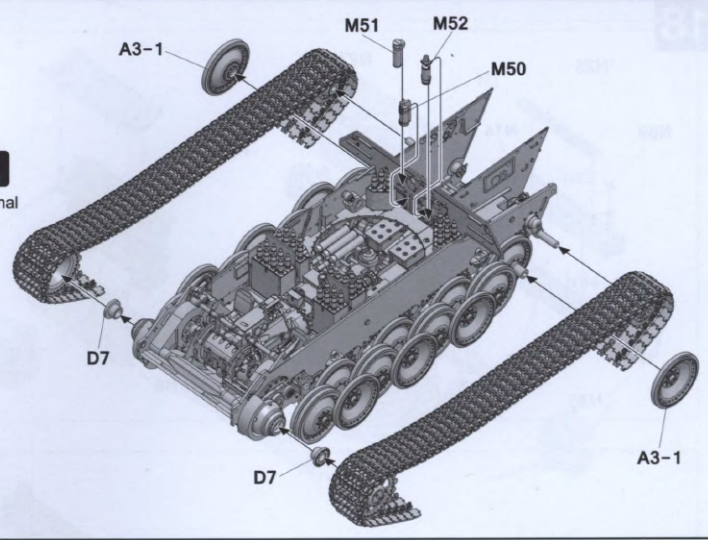




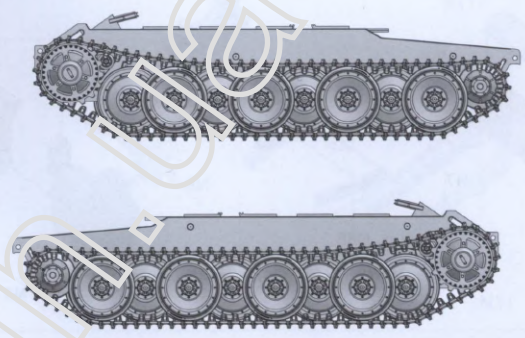
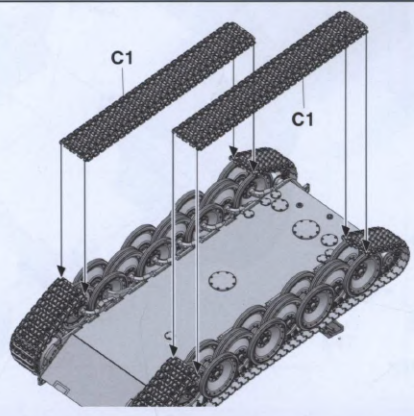
16



Optional

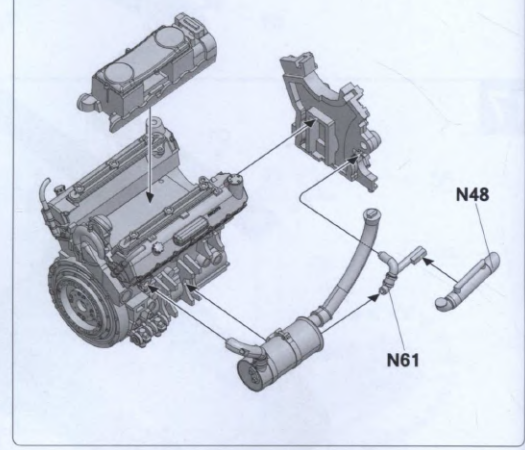
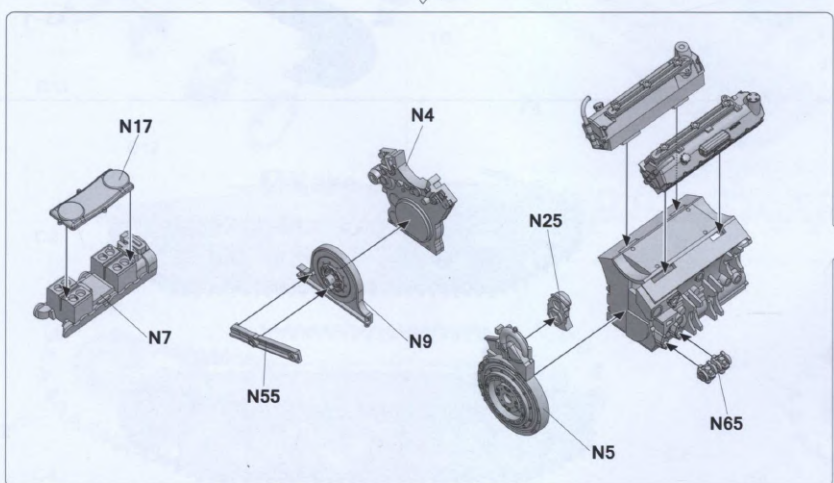
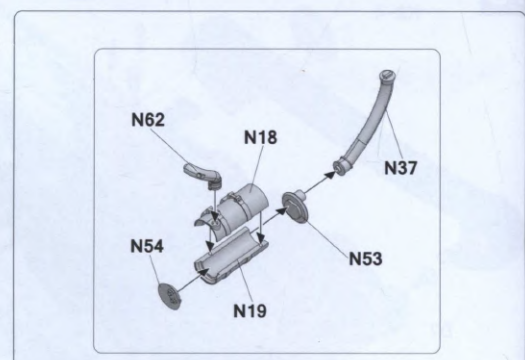
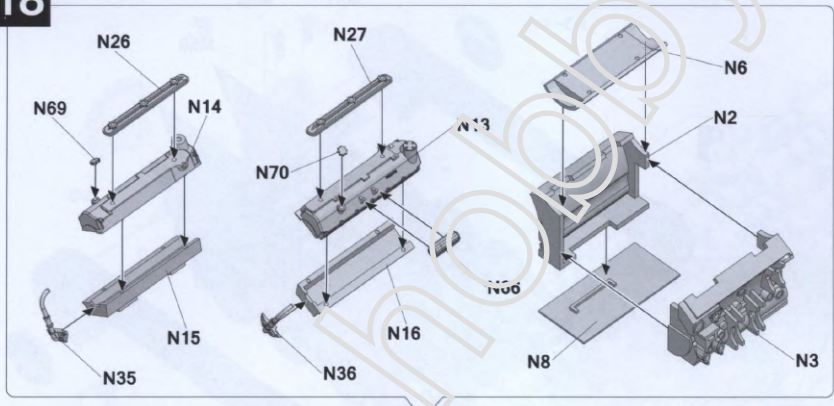


17



10

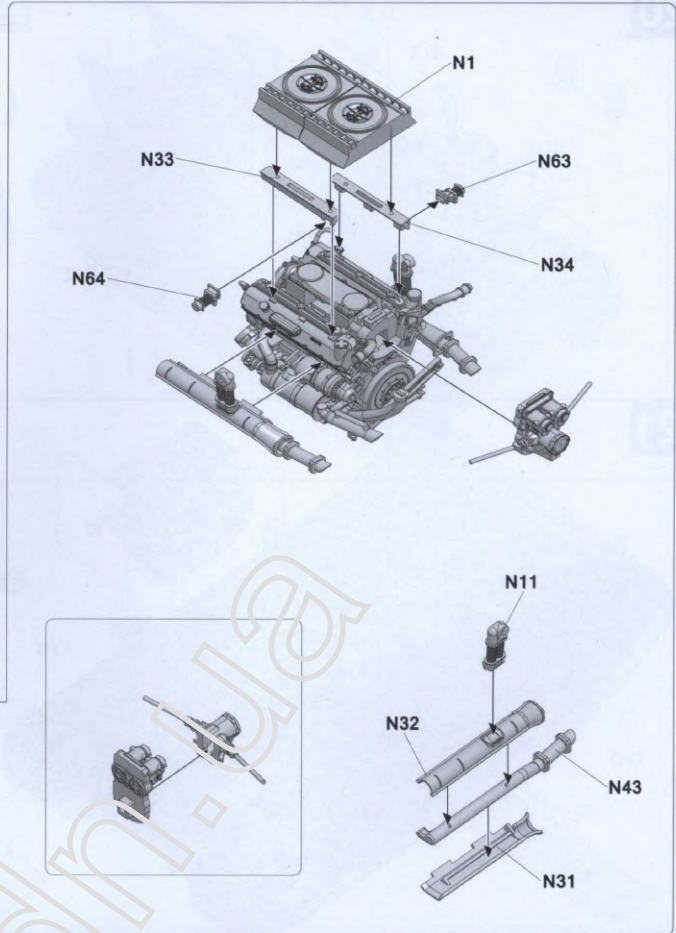
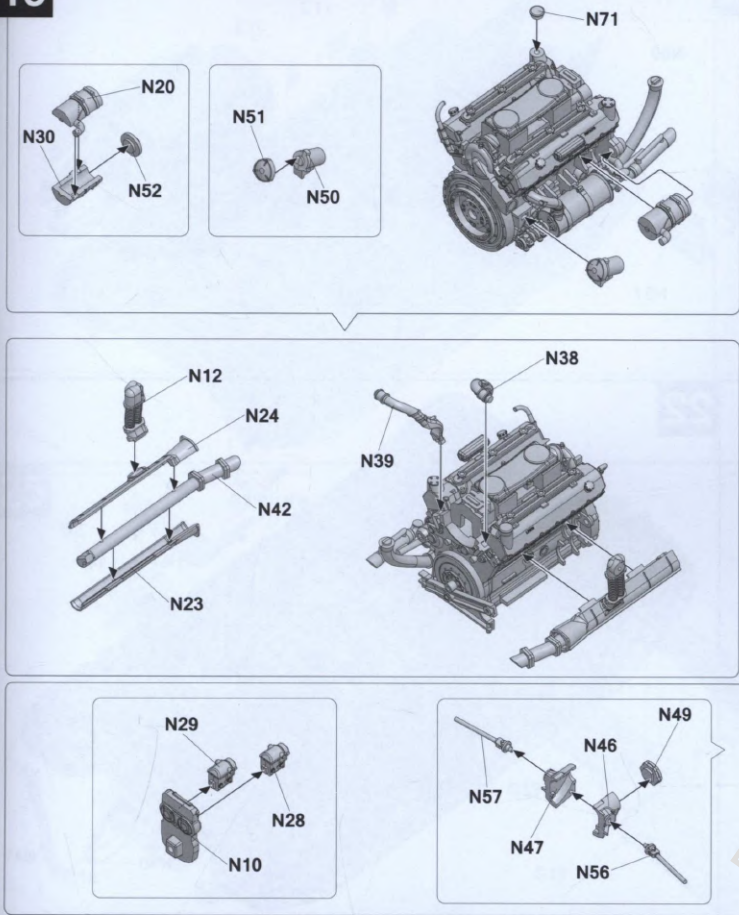
18



11

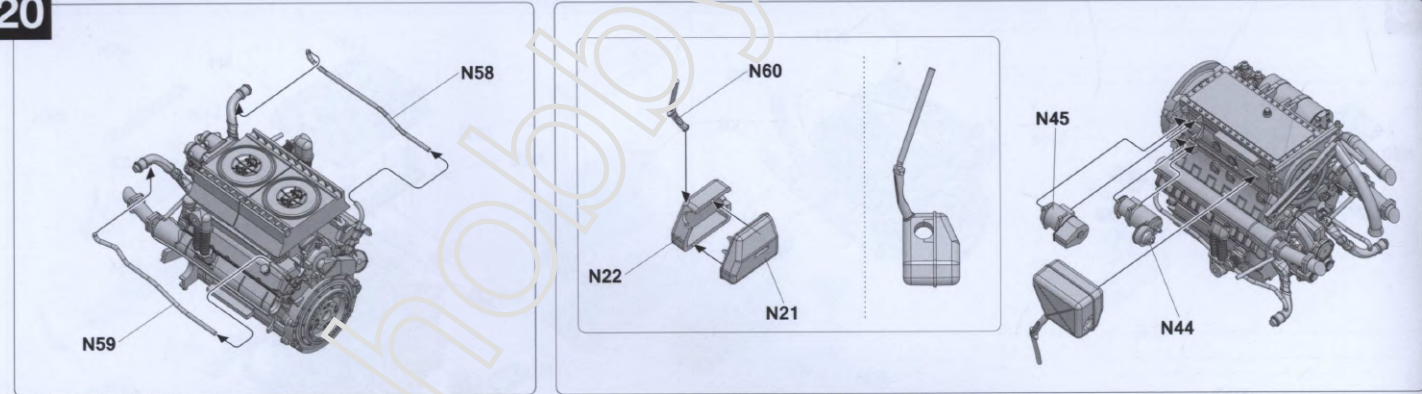


19

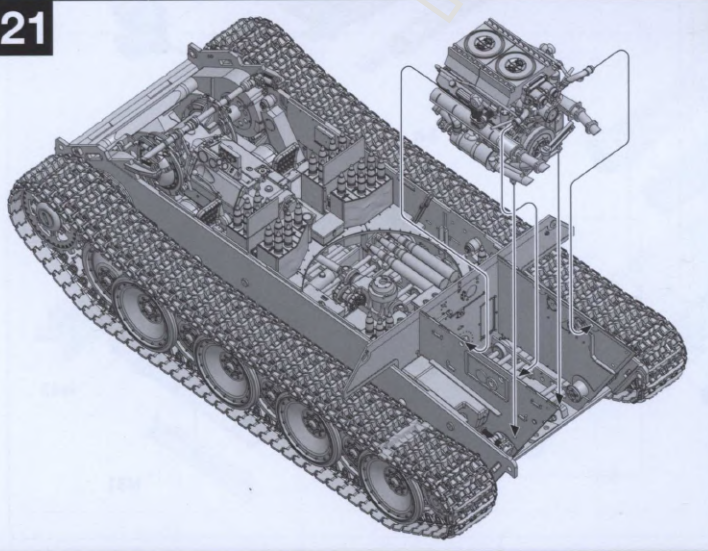


12

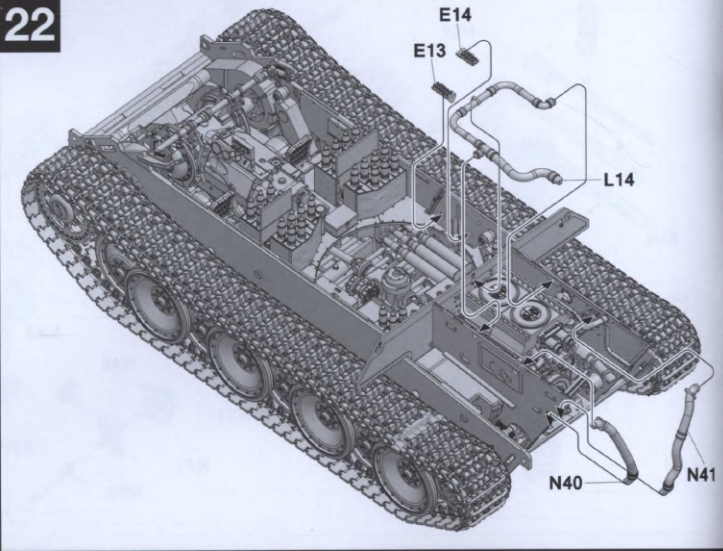
20



21



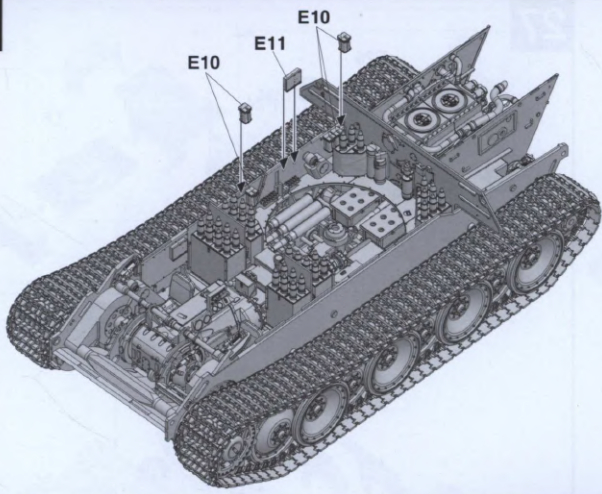
22



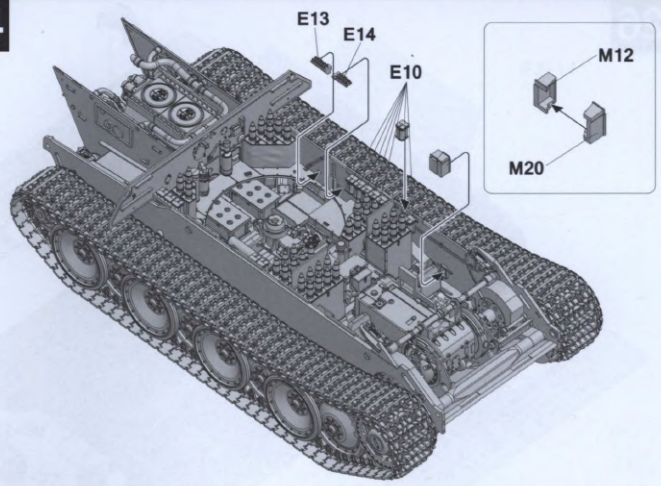
13



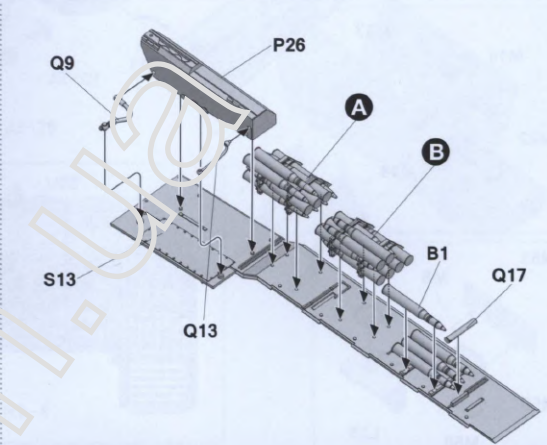
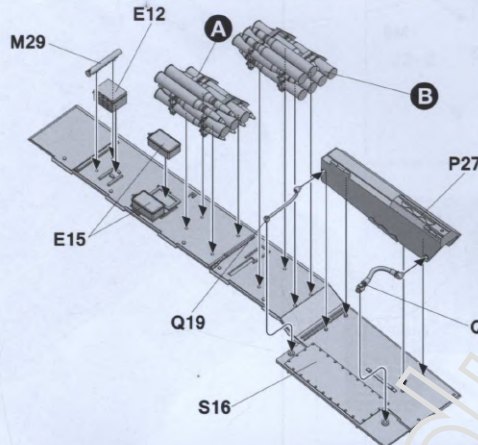
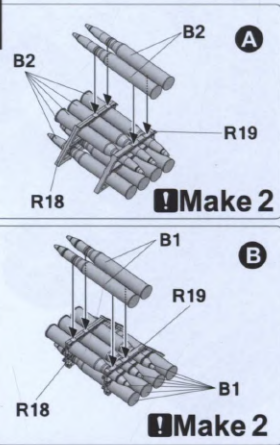
23



24

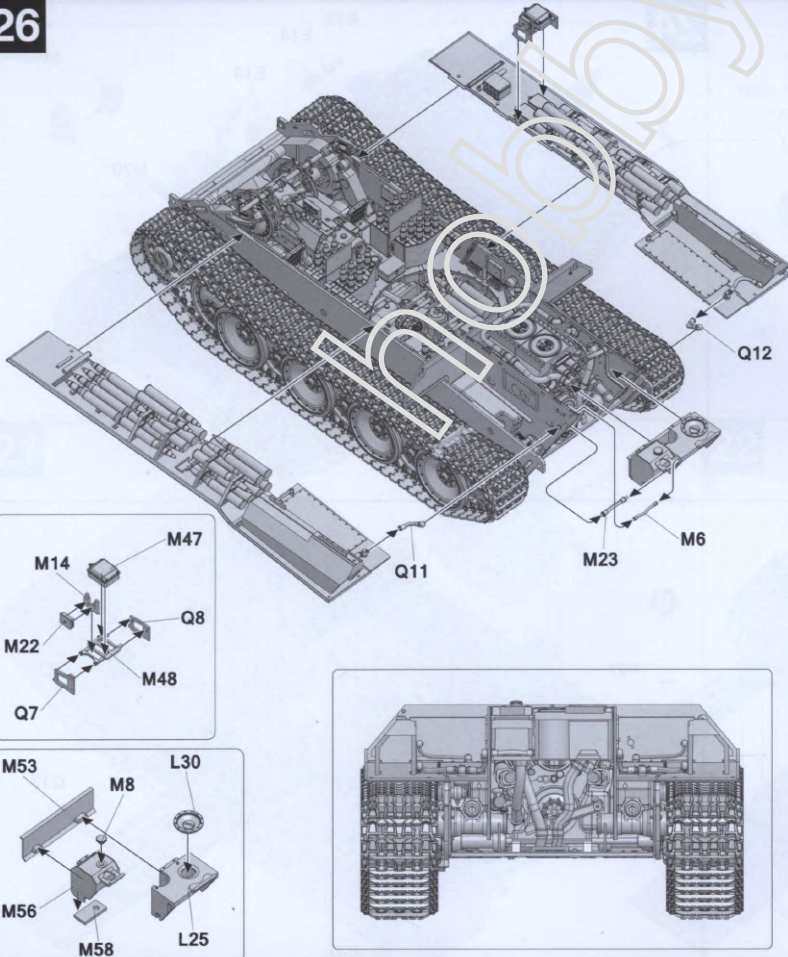


25

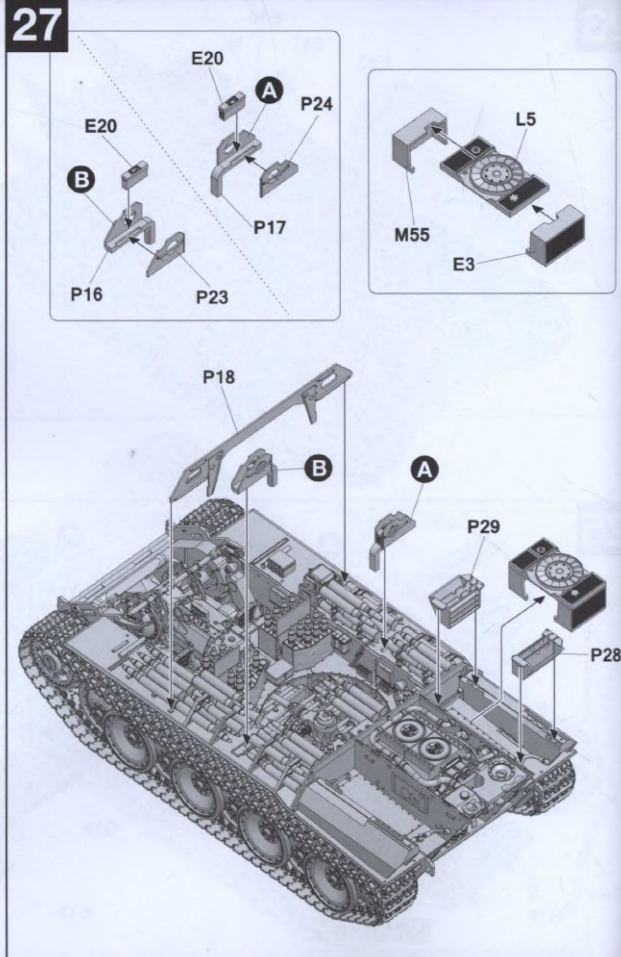


14

26



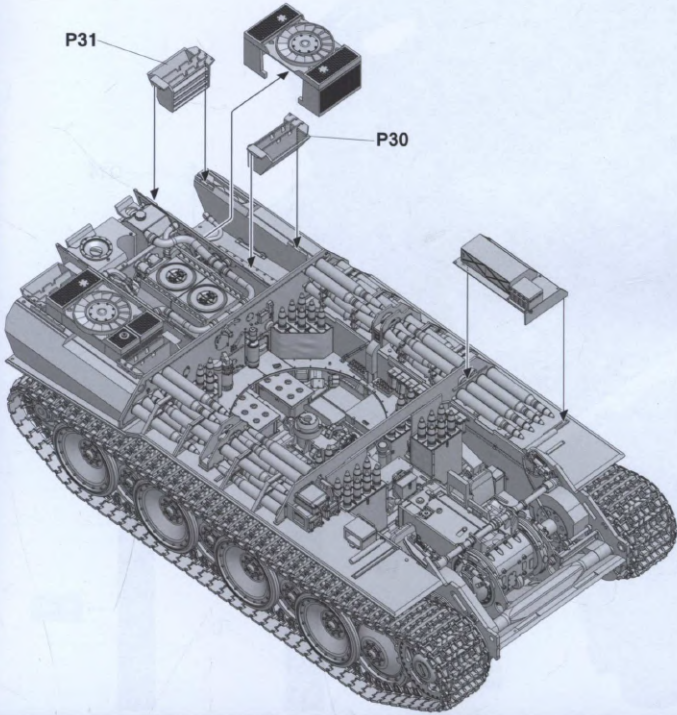
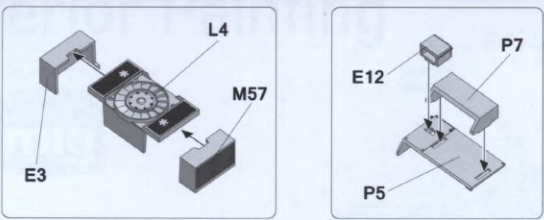
27



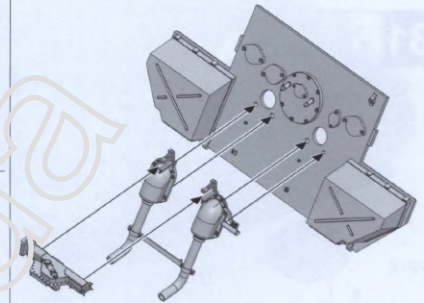
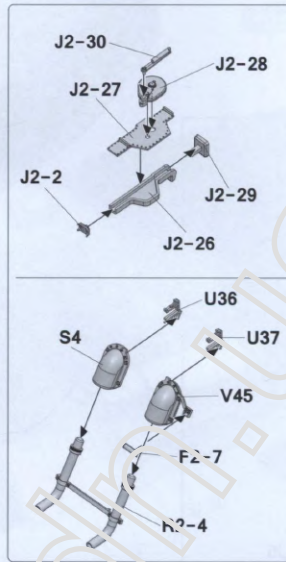
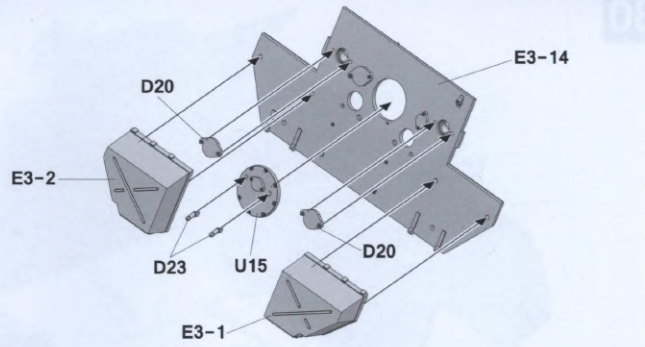
15



28

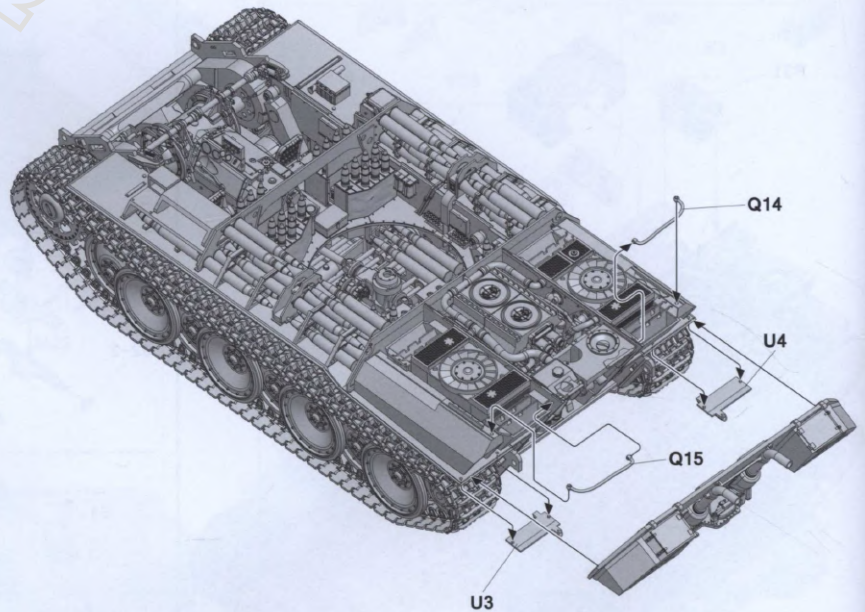
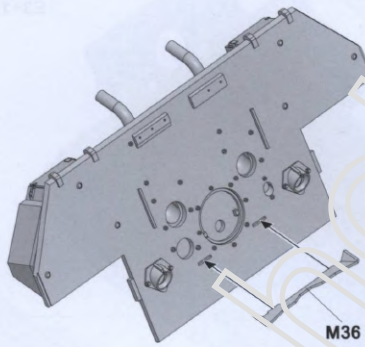


29

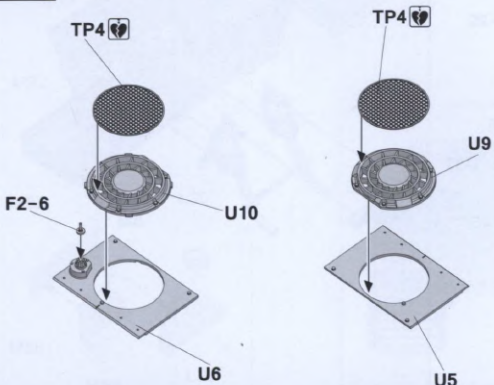


16

30



31

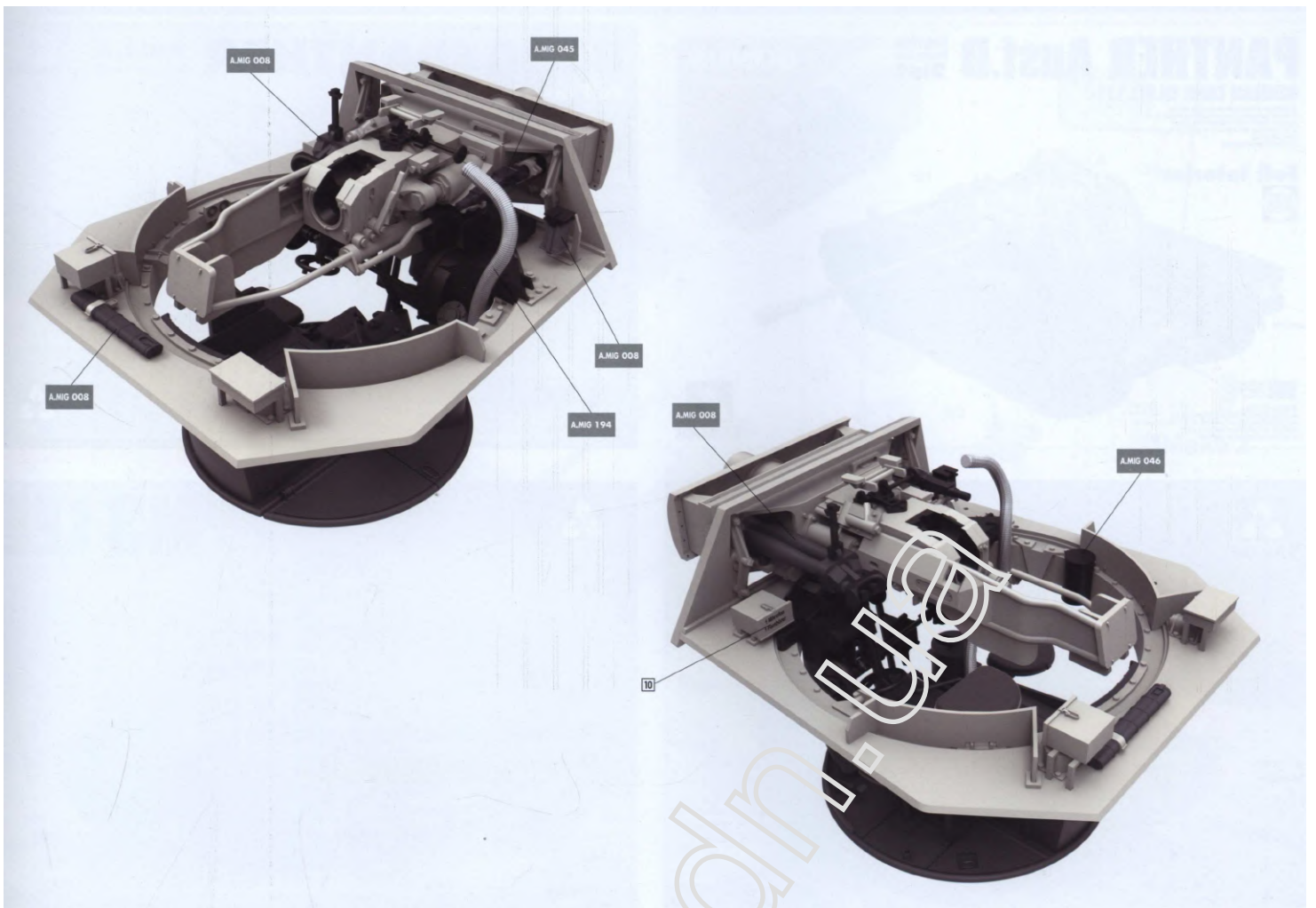


17

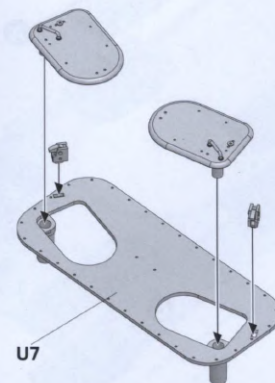
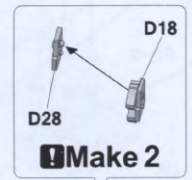
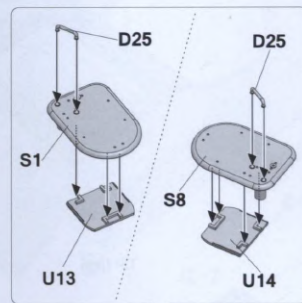
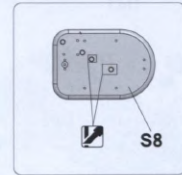
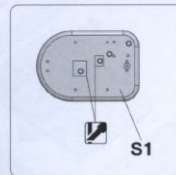
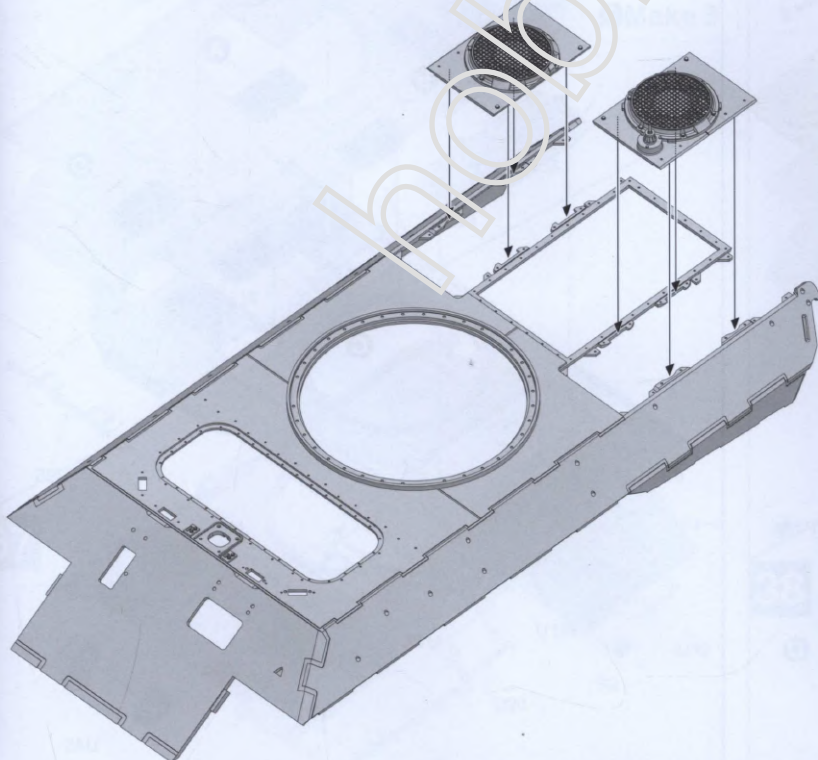






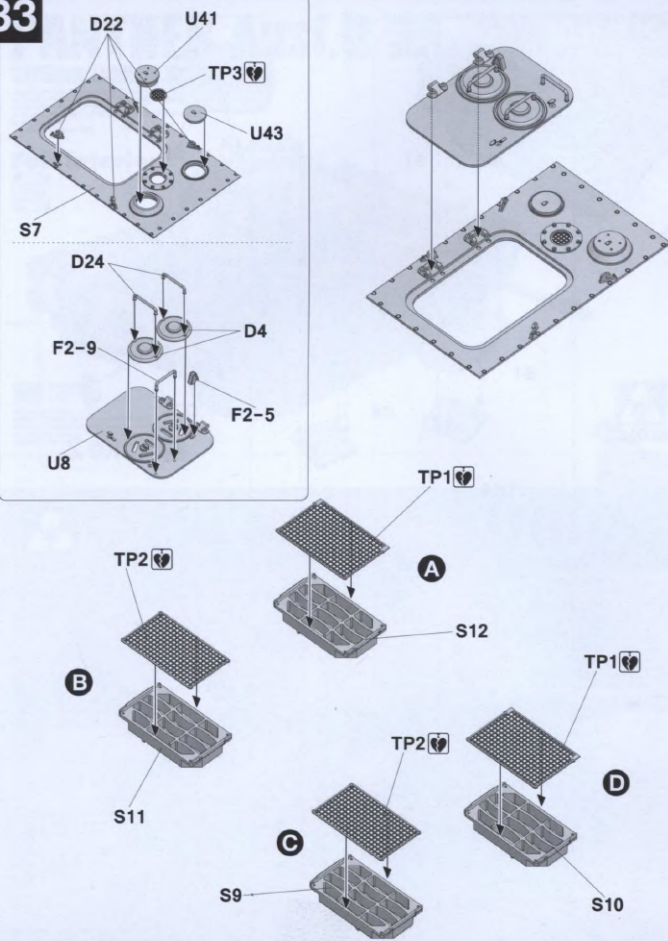


32

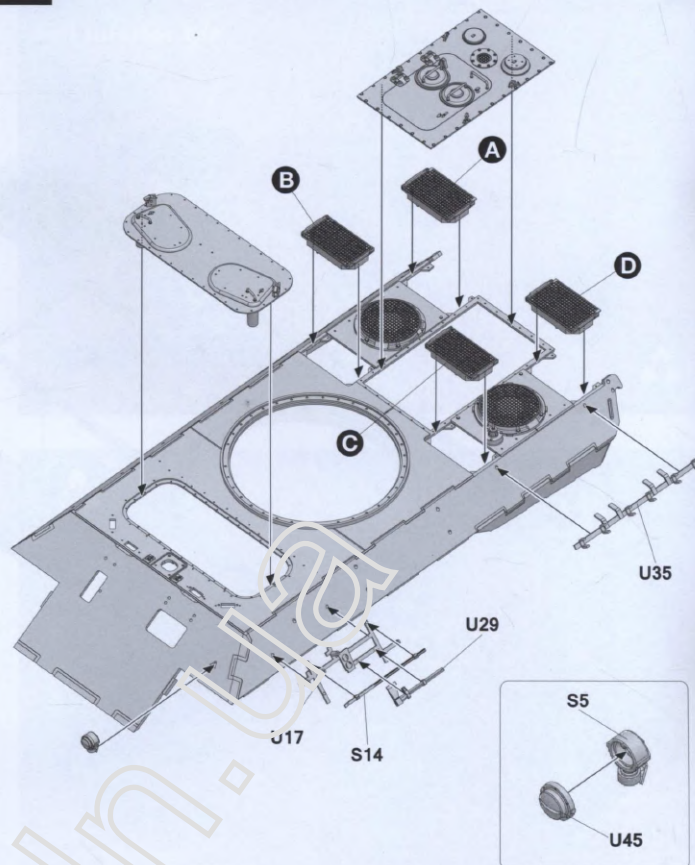




33

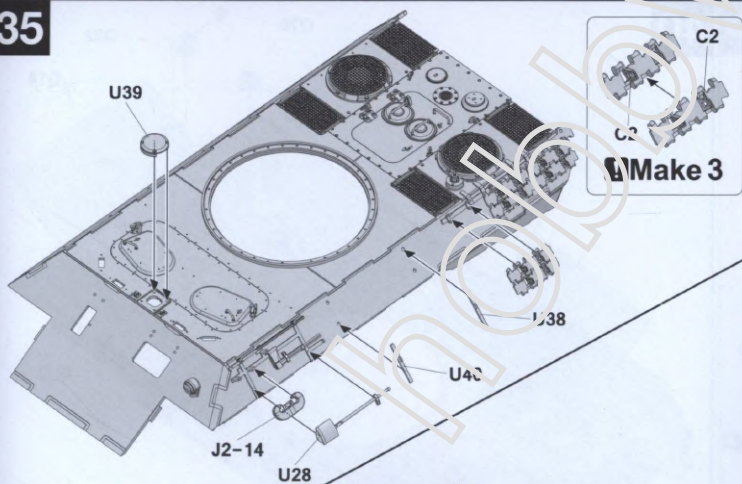


34

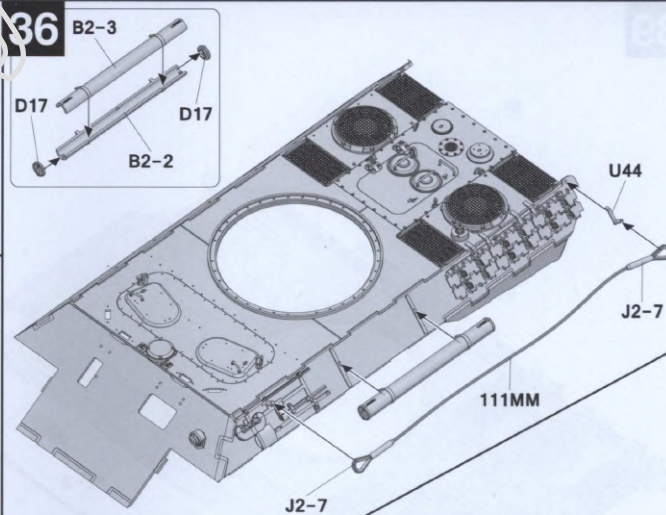


19

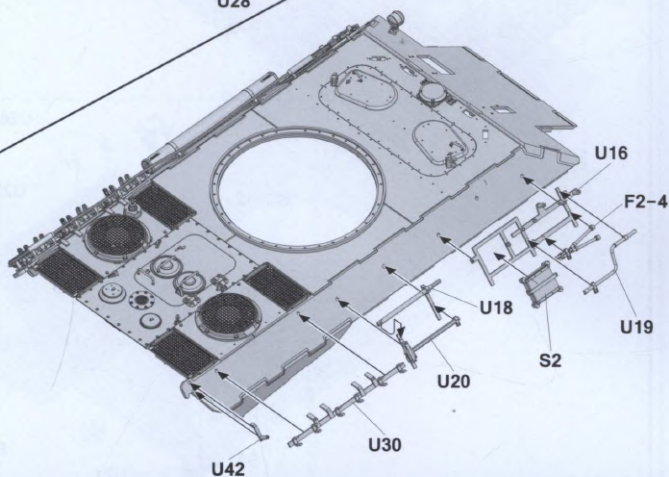
35



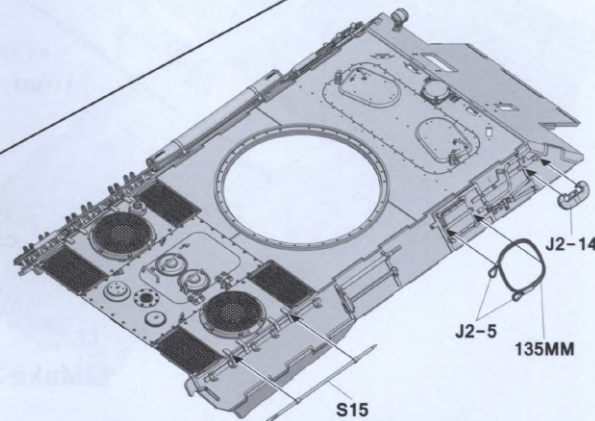
36



37



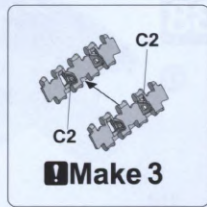
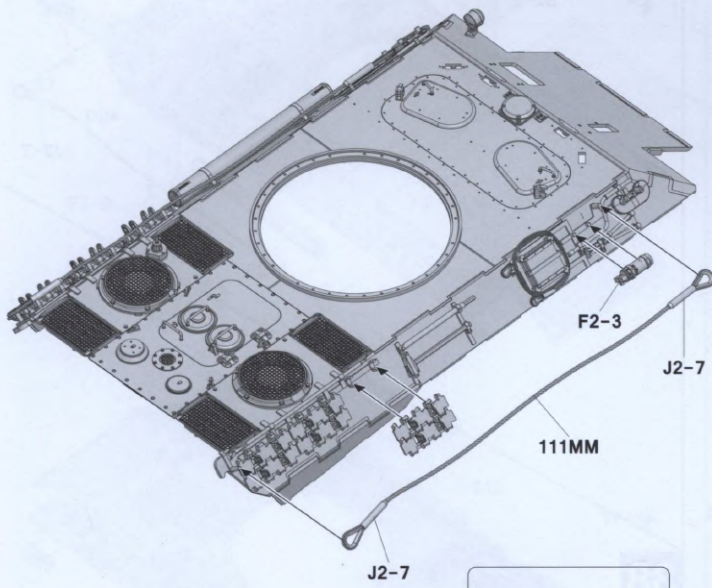
38



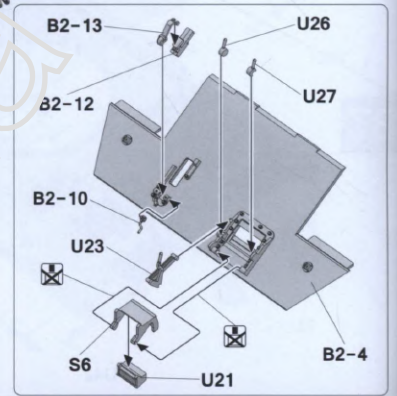
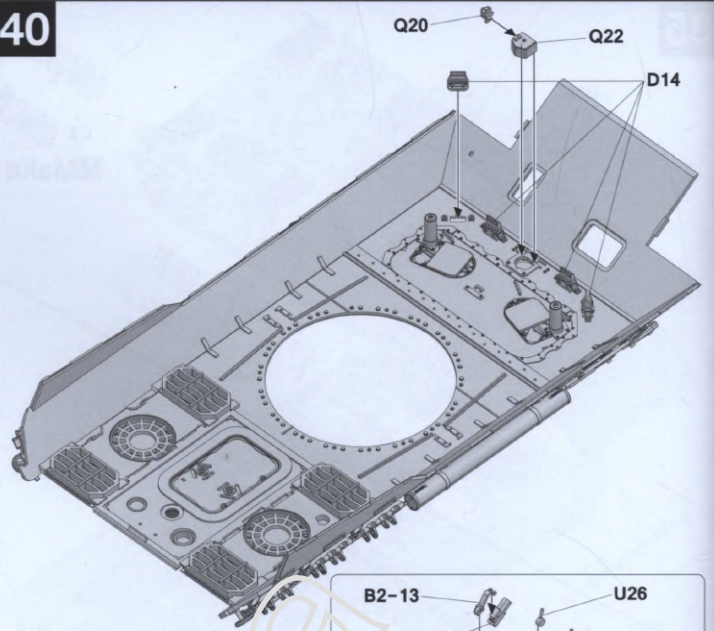
20



39

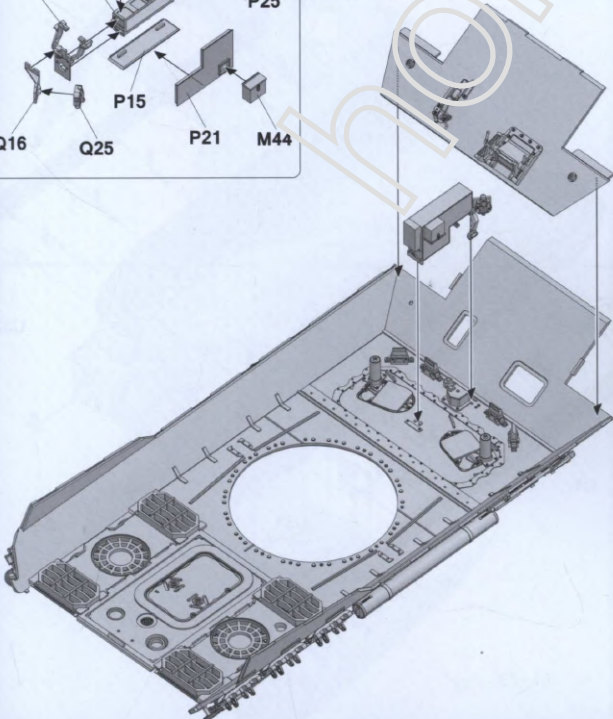
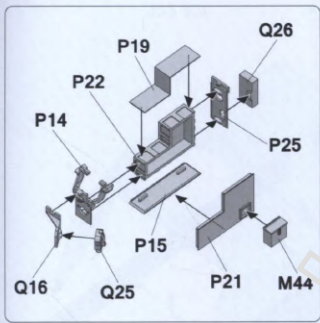


40

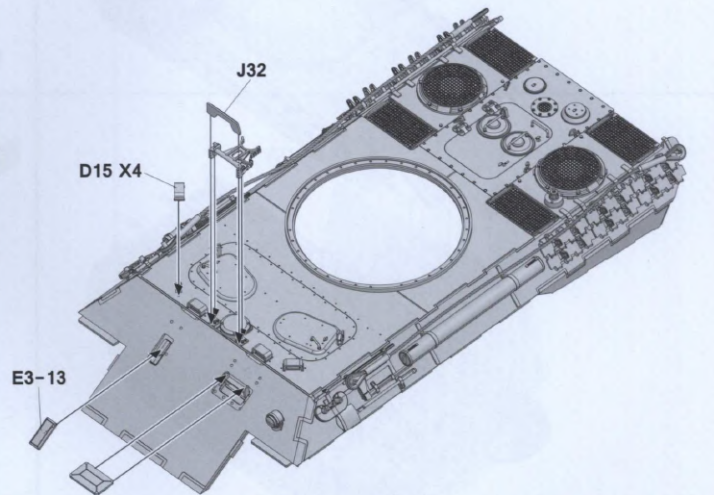
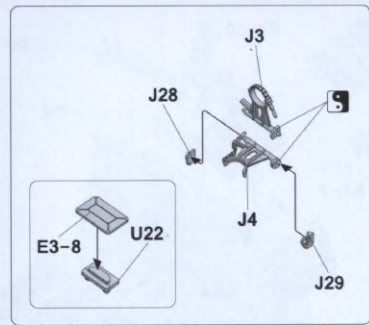


21

41



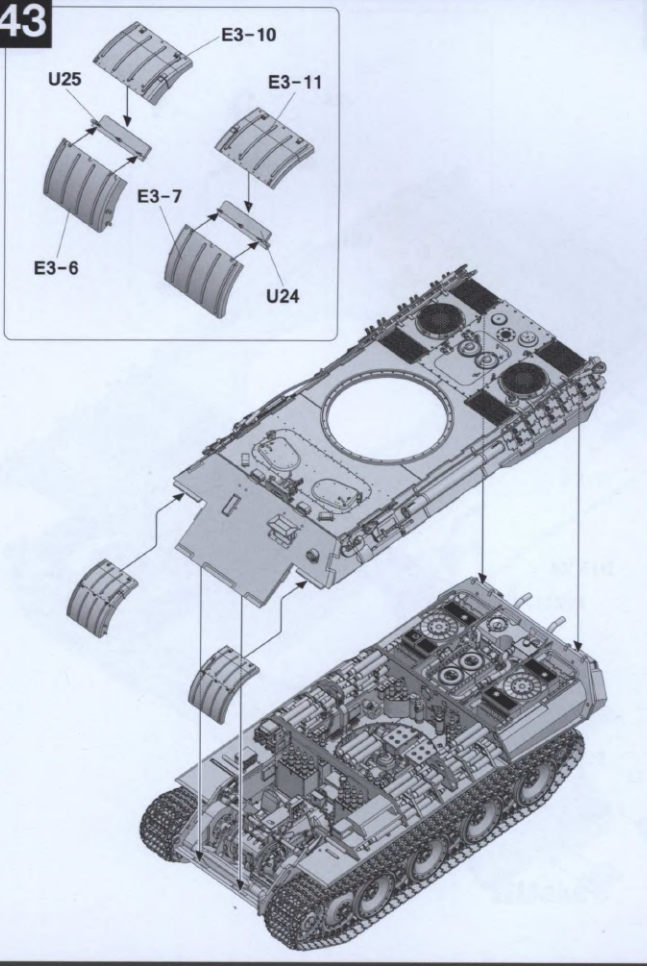
42



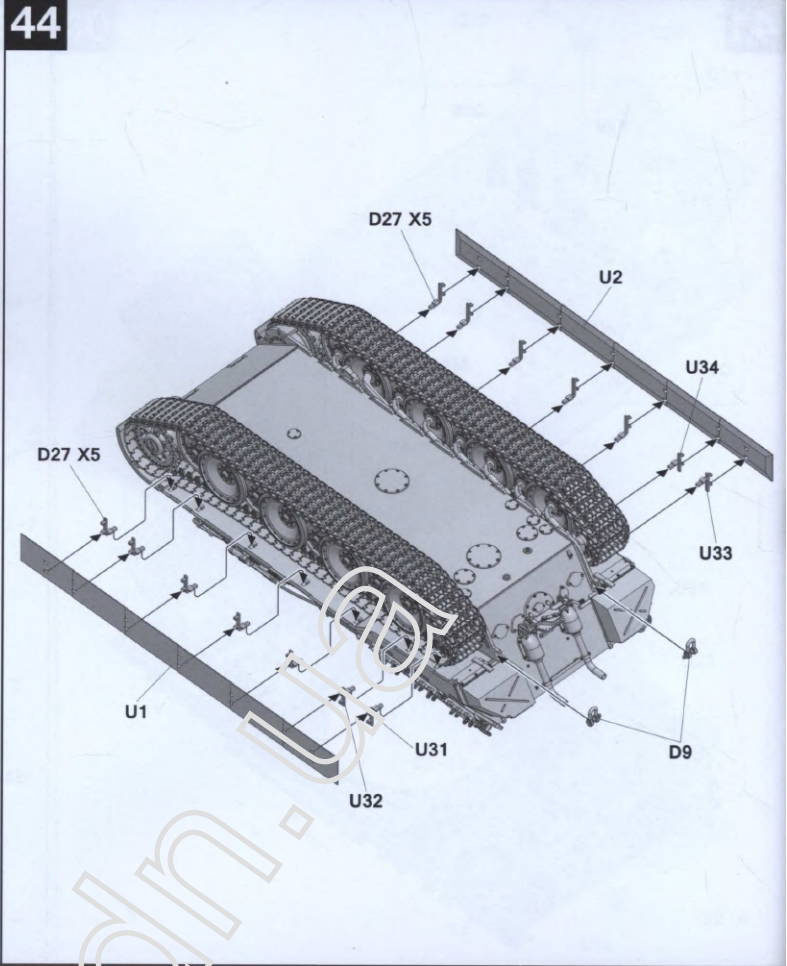
22



43

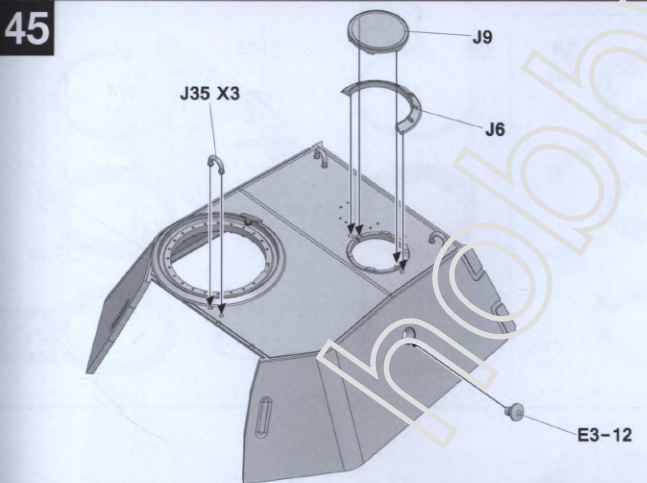


44

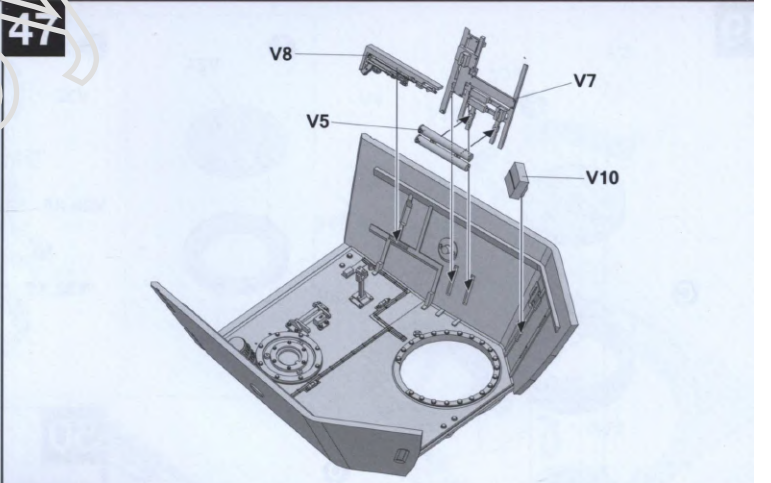


23

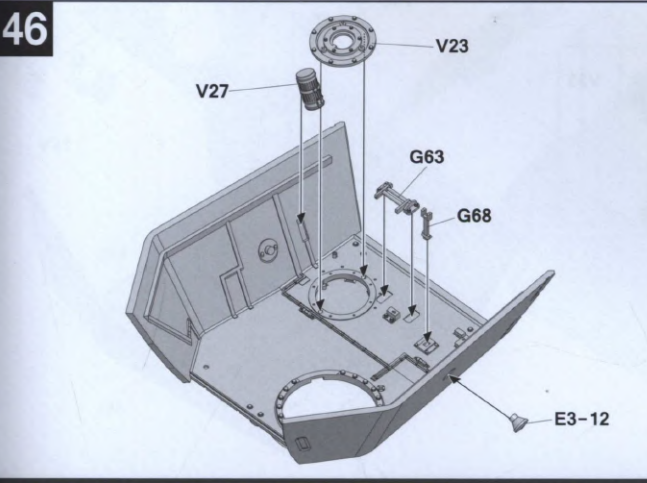
45



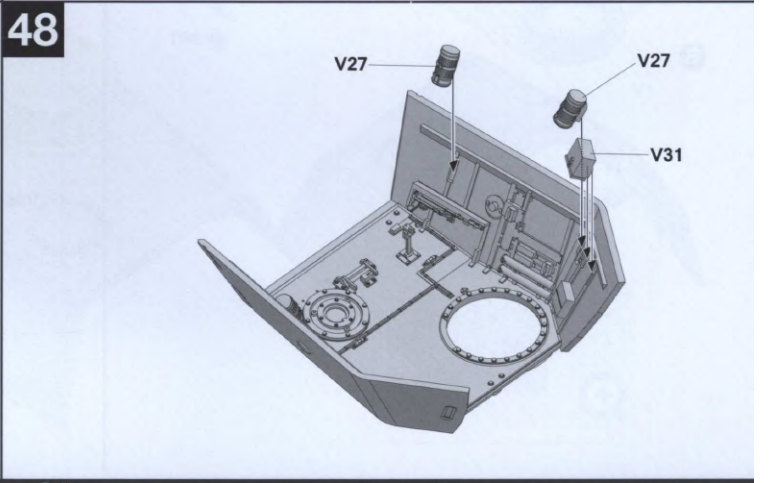
47



46



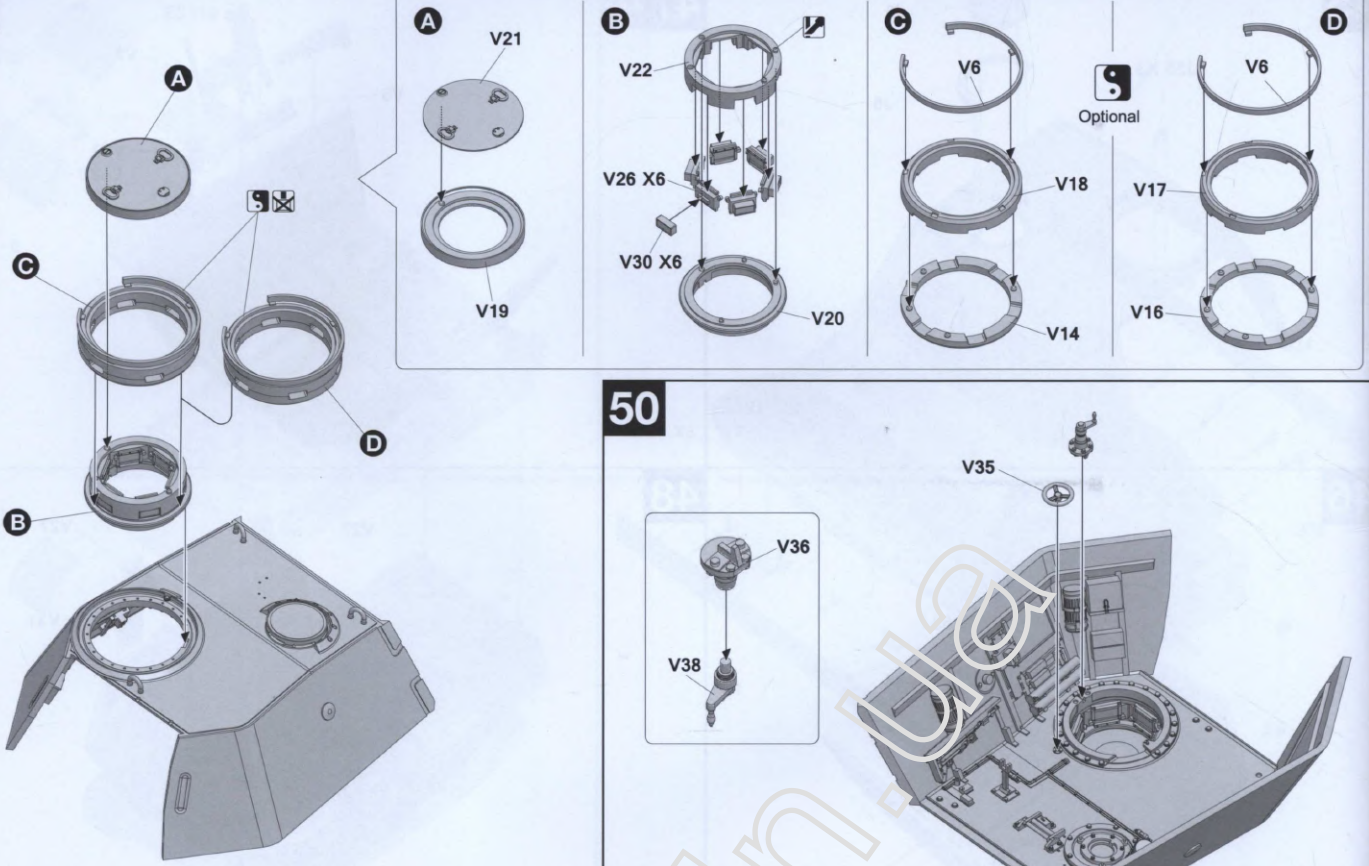
48



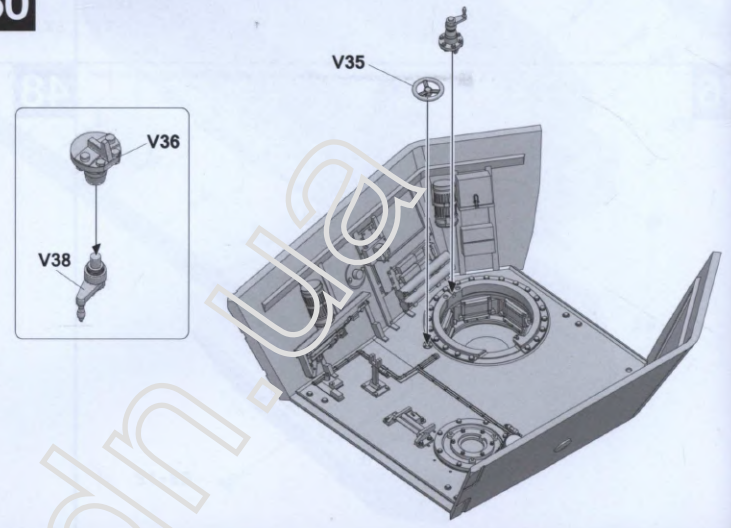
24



49

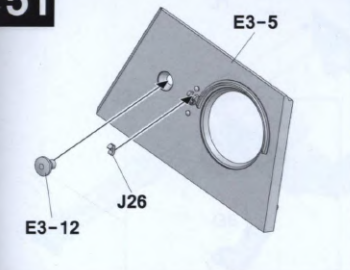


50

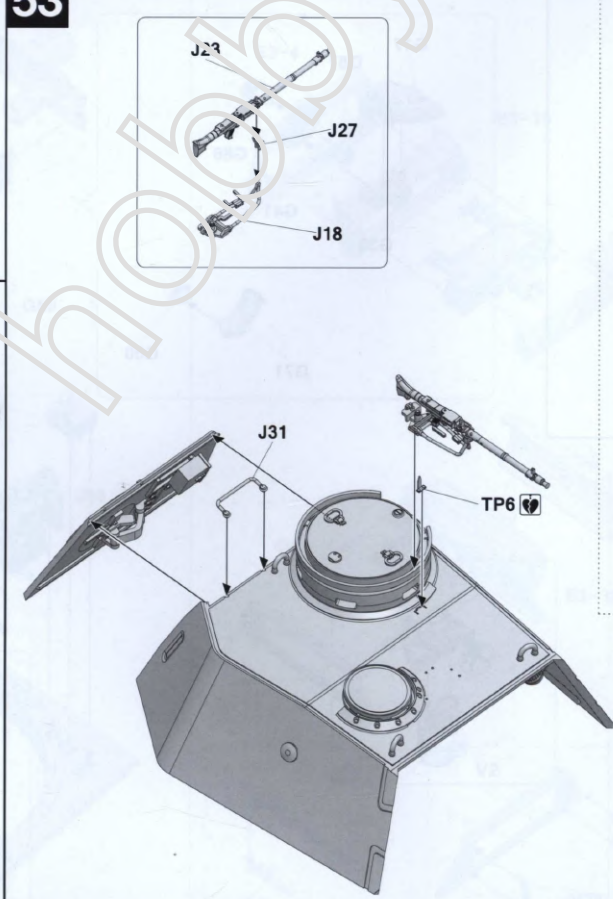


25

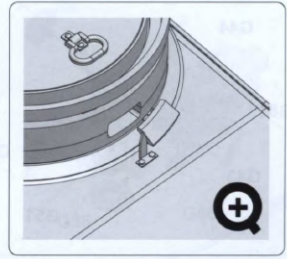
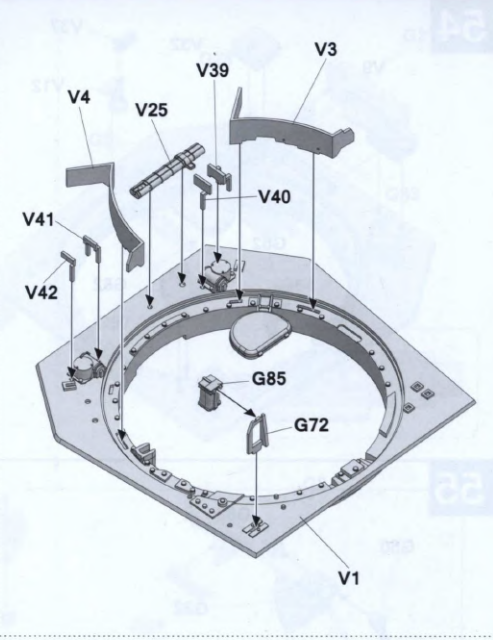
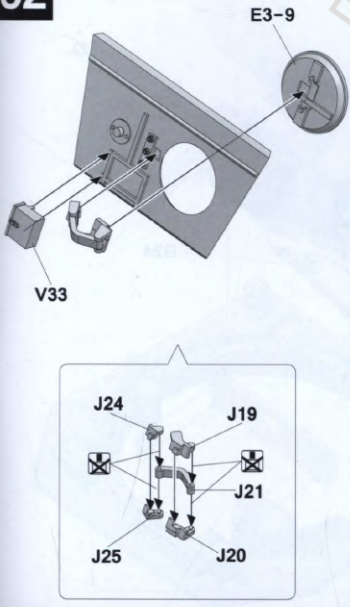
51



53



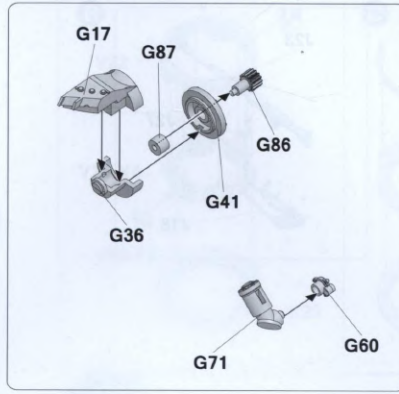
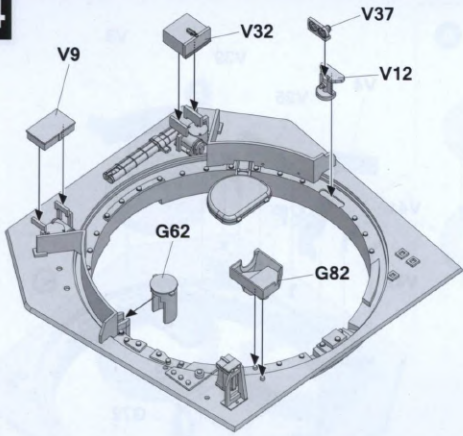
52



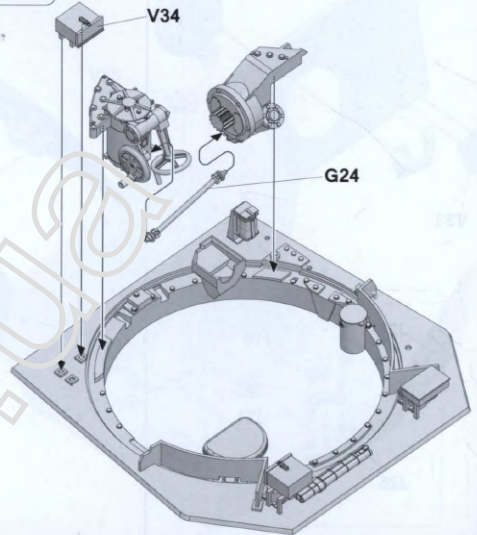
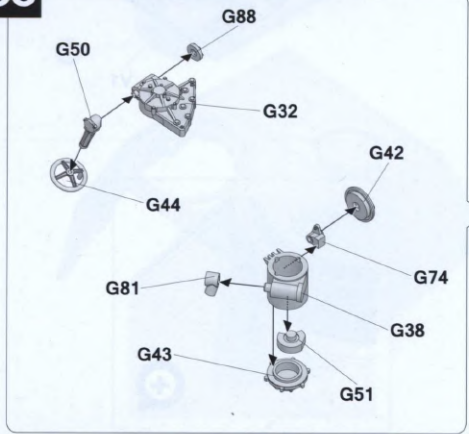
26



54

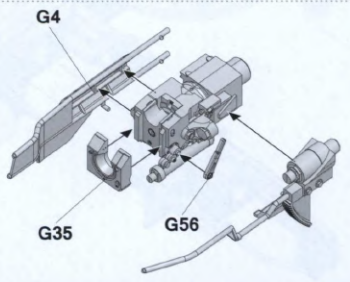
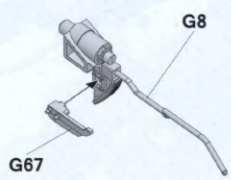
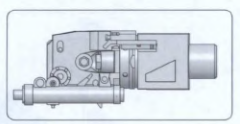
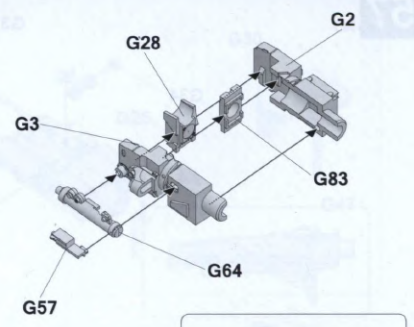
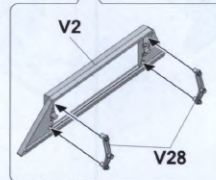
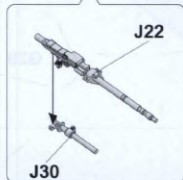
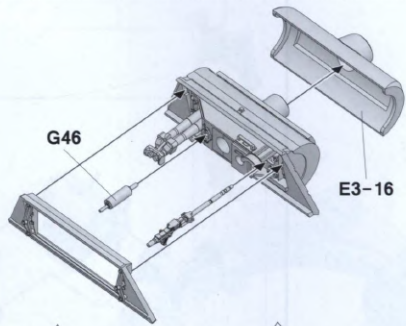
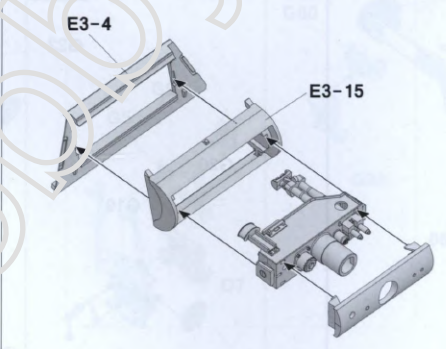
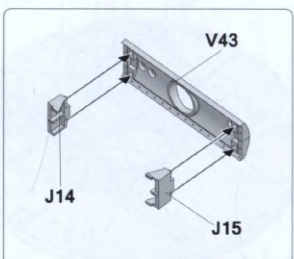
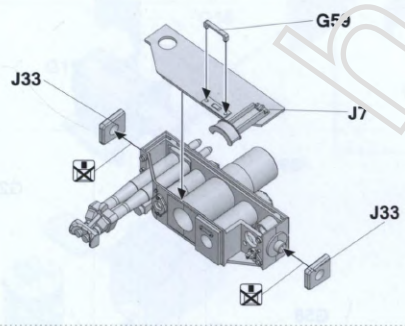
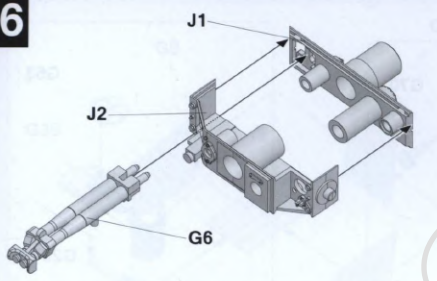


55



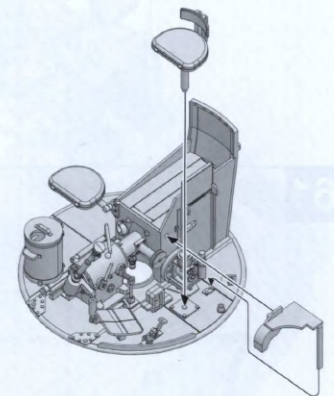
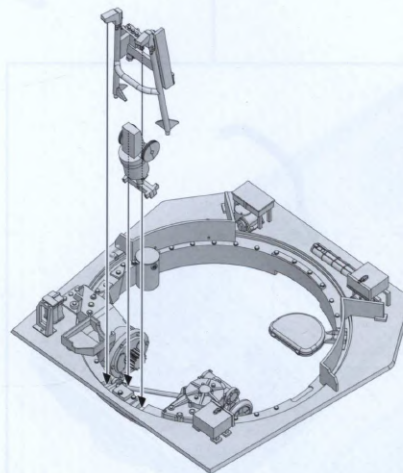
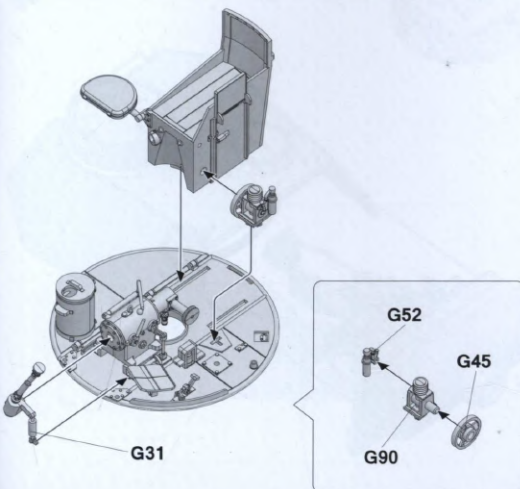
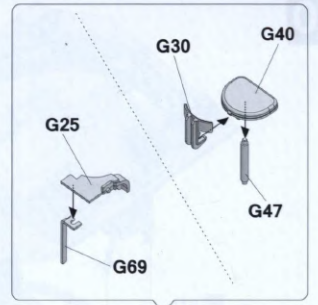
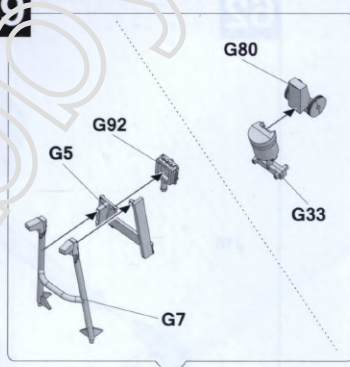
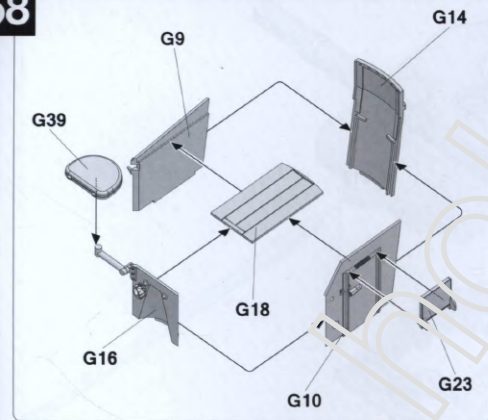
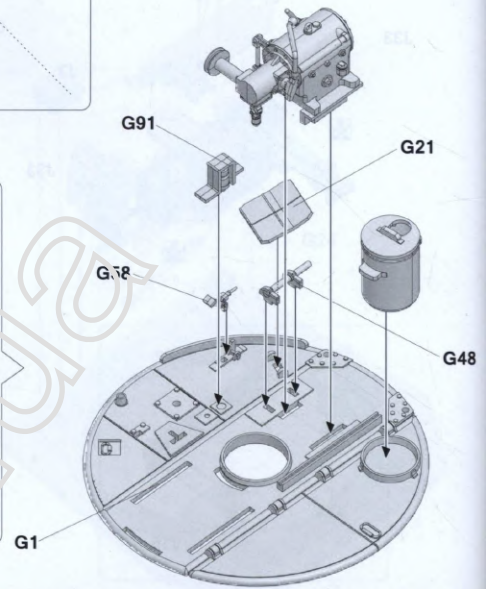
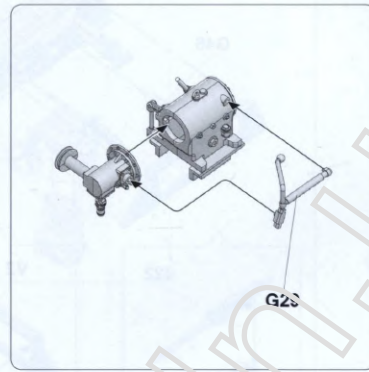
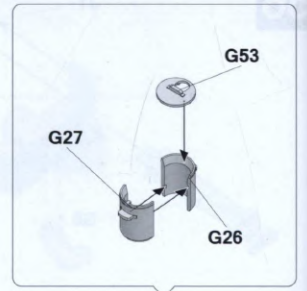
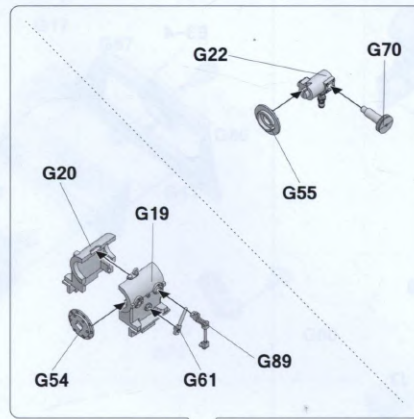
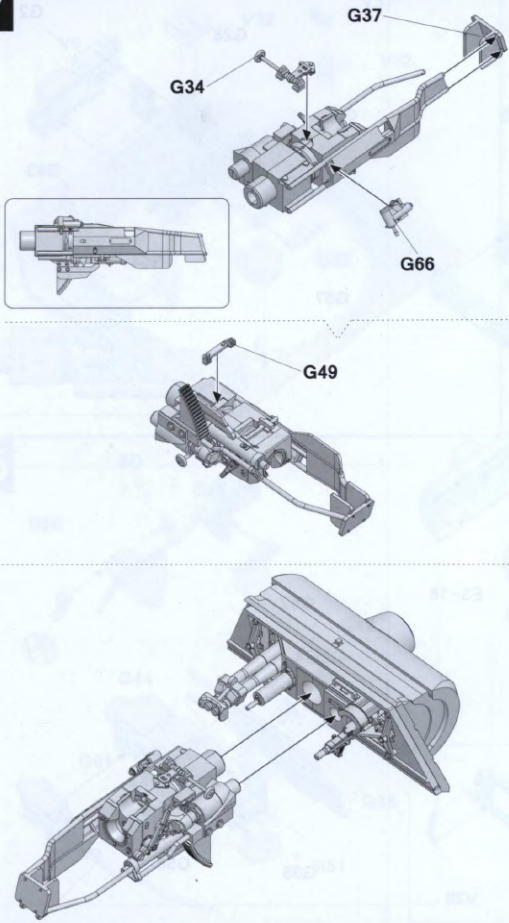
27

56



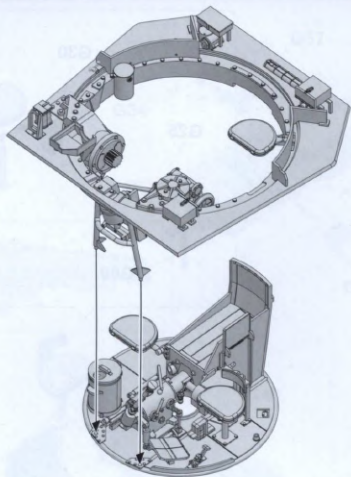
28



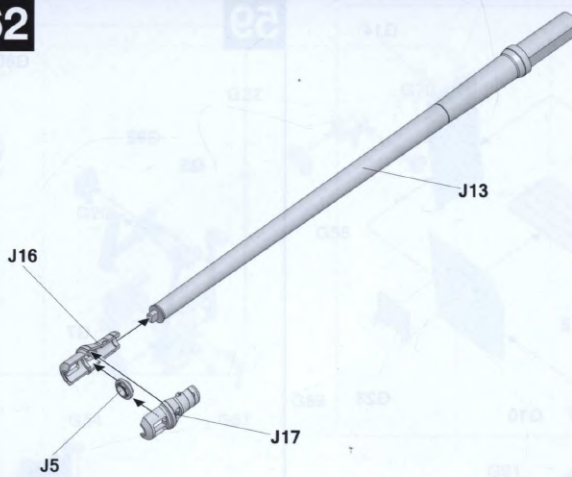




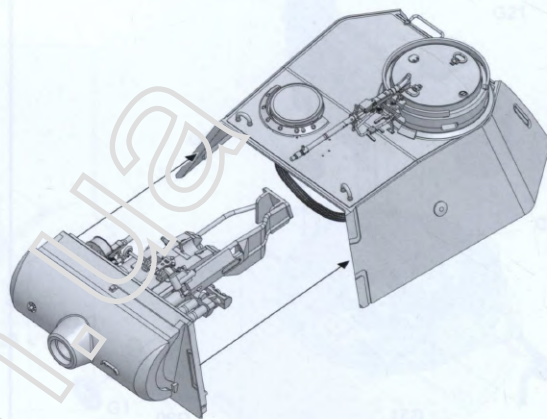
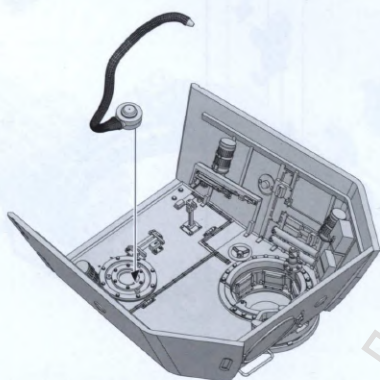
60



62

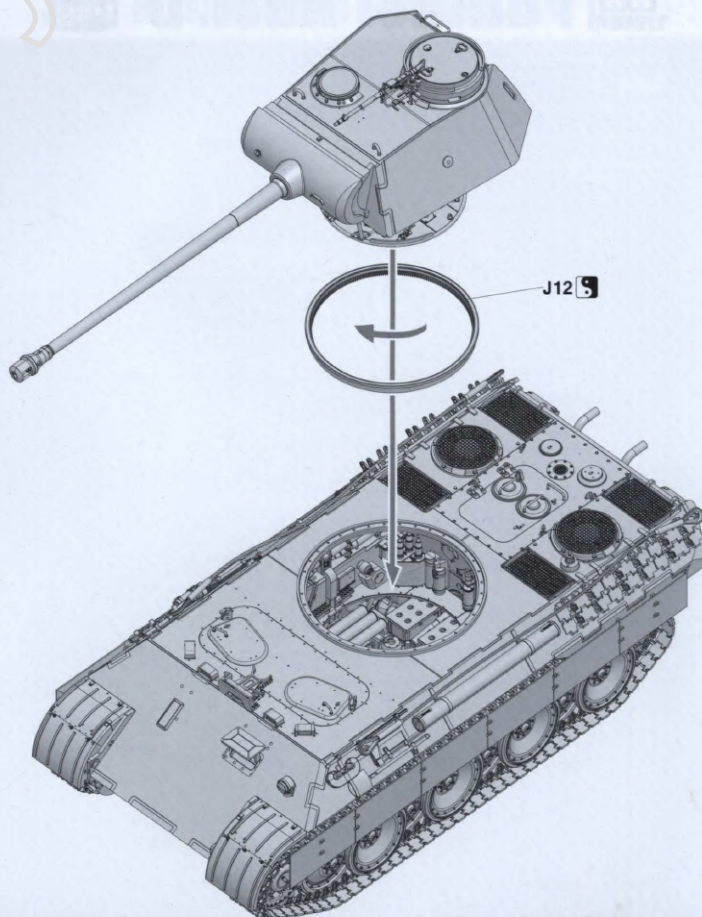
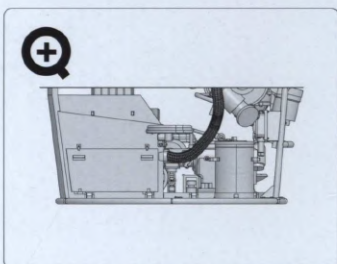
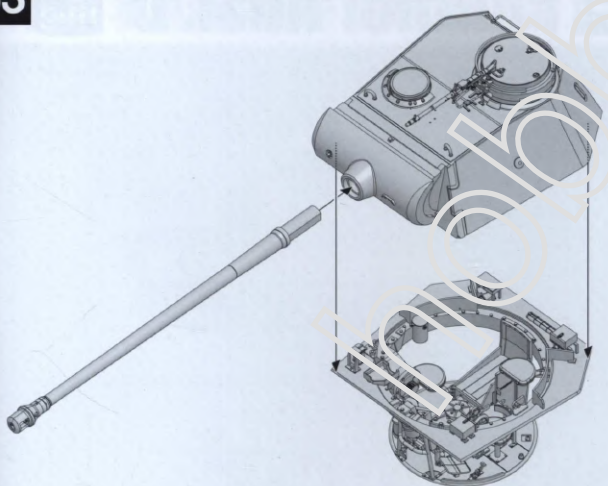


61



31

63



32



# Panther Ausf. D

## Painting and Marking Guide

TAKOM Ref: 2104

Panther Ausf. D Late Production with Zimmerit.

- AMIG 033 Rubber & Tires
- AMIG 035 Dark Tracks
- AMIG 036 Old Wood
- AMIG 038 Light Wood
- AMIG 040 Medium Rust
- AMIG 045 Gun Metal
- AMIG 093 Crystal Red
- AMIG 096 Crystal Petrol Green
- AMIG 002 Chingon Opt 2
- AMIG 010 Darklight Mid war
- AMIG 015 Schokobrown

3rd Kompanie, 39th Panzer Regiment, Mailly-Le Camp, France, November 1944.



### WEATHERING STEPS WITH AMMIG PRODUCTS

- 1 GENERAL WASH: A.MIG-1000 Brown Wash for German Yellow
- 2 STREAKING: A.MIG-1203 Streaking Crème
- 3 TRACK WASH: A.MIG-1002 Tracks Wash
- 4 RUST & SPLASHES: A.MIG-1704 Heavy Earth A.MIG-1703 Turned Oil
- 5 FILTER: A.MIG-1511 Brown for Dark Yellow
- 6 RUST: A.MIG-3510 Rust
- 7 DIRT: A.MIG-3004 Europe Earth
- 8 GREASE & OIL: A.MIG-1408 Fresh Engine Oil

# Panther Ausf. D

## Painting and Marking Guide

TAKOM Ref: 2104

Panther Ausf. D Late Production with Zimmerit.

- AMIG 033 Rubber & Tires
- AMIG 035 Dark Tracks
- AMIG 036 Old Wood
- AMIG 038 Light Wood
- AMIG 040 Medium Rust
- AMIG 045 Gun Metal
- AMIG 093 Crystal Red
- AMIG 096 Crystal Petrol Green
- AMIG 002 Chingon Opt 2
- AMIG 010 Darklight Mid war

1st Kompanie, 2nd Panzer Regiment, 16th Panzer Division, Kolomea, Autumn 1944.



### WEATHERING STEPS WITH AMMIG PRODUCTS

- 1 GENERAL WASH: A.MIG-1000 Brown Wash for German Yellow
- 2 STREAKING: A.MIG-1203 Streaking Crème
- 3 TRACK WASH: A.MIG-1002 Tracks Wash
- 4 RUST & SPLASHES: A.MIG-1704 Heavy Earth A.MIG-1703 Turned Oil
- 5 FILTER: A.MIG-1511 Brown for Dark Yellow
- 6 RUST: A.MIG-3510 Rust
- 7 DIRT: A.MIG-3004 Europe Earth
- 8 GREASE & OIL: A.MIG-1408 Fresh Engine Oil

# Panther Ausf. D

## Painting and Marking Guide

TAKOM Ref: 2104

Panther Ausf. D Late Production with Zimmerit.

- AMIG 033 Rubber & Tires
- AMIG 035 Dark Tracks
- AMIG 036 Old Wood
- AMIG 038 Light Wood
- AMIG 040 Medium Rust
- AMIG 045 Gun Metal
- AMIG 093 Crystal Red
- AMIG 096 Crystal Petrol Green
- AMIG 002 Chingon Opt 2
- AMIG 010 Darklight Mid war

2nd Kompanie, 2nd Panzer Regiment, 16th Panzer Division, Kolomea, Autumn 1944.



### WEATHERING STEPS WITH AMMIG PRODUCTS

- 1 GENERAL WASH: A.MIG-1000 Brown Wash for German Yellow
- 2 STREAKING: A.MIG-1203 Streaking Crème
- 3 TRACK WASH: A.MIG-1002 Tracks Wash
- 4 RUST & SPLASHES: A.MIG-1704 Heavy Earth A.MIG-1703 Turned Oil
- 5 FILTER: A.MIG-1511 Brown for Dark Yellow
- 6 RUST: A.MIG-3510 Rust
- 7 DIRT: A.MIG-3004 Europe Earth
- 8 GREASE & OIL: A.MIG-1408 Fresh Engine Oil

# Panther Ausf. D

## Painting and Marking Guide

TAKOM Ref: 2104

Panther Ausf. D Late Production with Zimmerit.

- AMIG 033 Rubber & Tires
- AMIG 035 Dark Tracks
- AMIG 036 Old Wood
- AMIG 038 Light Wood
- AMIG 040 Medium Rust
- AMIG 045 Gun Metal
- AMIG 093 Crystal Red
- AMIG 096 Crystal Petrol Green
- AMIG 002 Chingon Opt 2
- AMIG 010 Darklight Mid war

3rd Kompanie, 2nd Panzer Regiment, 16th Panzer Division, Kolomea, Autumn 1944.



### WEATHERING STEPS WITH AMMIG PRODUCTS

- 1 GENERAL WASH: A.MIG-1000 Brown Wash for German Yellow
- 2 STREAKING: A.MIG-1203 Streaking Crème
- 3 TRACK WASH: A.MIG-1002 Tracks Wash
- 4 RUST & SPLASHES: A.MIG-1704 Heavy Earth A.MIG-1703 Turned Oil
- 5 FILTER: A.MIG-1511 Brown for Dark Yellow
- 6 RUST: A.MIG-3510 Rust
- 7 DIRT: A.MIG-3004 Europe Earth
- 8 GREASE & OIL: A.MIG-1408 Fresh Engine Oil