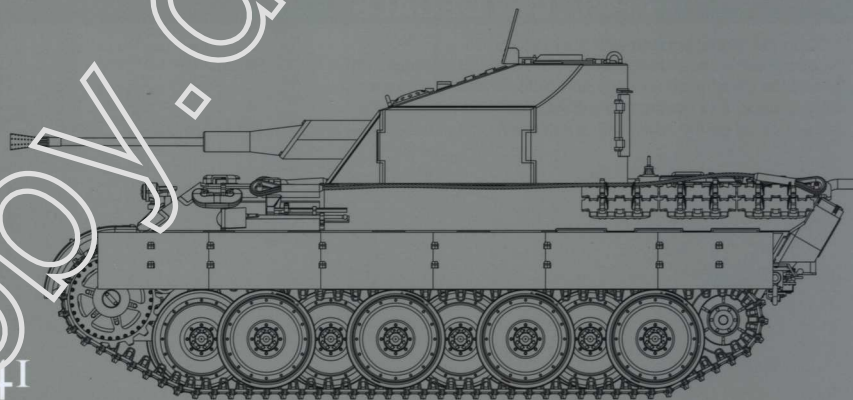
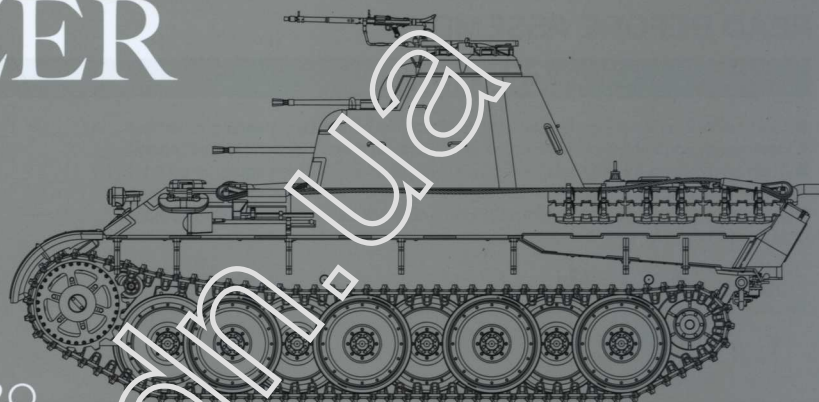


FLAKPANZER PANTHER

20mm Flakvierling MG151/20

&

“Coelian”
with 37mm Flakzwilling 341



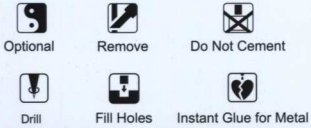
Once the Panther tank design had been finalized, the Luftwaffe & German Army began proposing Flakpanzer variants as early as 1942. Initially, the quadruple 20mm MG 151/20 system was proposed, with a rate of 600–750 rpm and a muzzle velocity of 700 meters per second (2,300 feet per second) to 785 meters per second (2,580 feet per second). However, this was soon rejected by demands for more modern and powerful weapons to be utilized. Rheinmetall-Borsig then proposed several configurations under the code name 'Coelian', with the most popular being armed with a twin 37mm Flak 44 system in May 1944. This weapon fired at a practical rate of 150 rpm, with a muzzle velocity of 770–820 meters per second (2,500–2,700 feet per second) with an effective firing range up to 4,200 meters. Nevertheless, only an early wooden mock-up was ever produced on a Panther Ausf.D hull in February 1945, due to a lack of available tanks for the conversion because of increasingly heavy Allied strategic bombing. The later version was never produced in any form, but plans were drawn up with a revised turret.

03.02.2105

READ BEFORE ASSEMBLY

CAUTION

- Read carefully and fully understand the instructions before commencing assembly. A supervising adult should also read the instructions if a child assembles the model.
- When assembling this kit, tools including knives used. Extra care should be taken to avoid personal injury.
- Keep out of reach of small children. Children must not be allowed to suck any part, or pull vinyl bag over their heads.



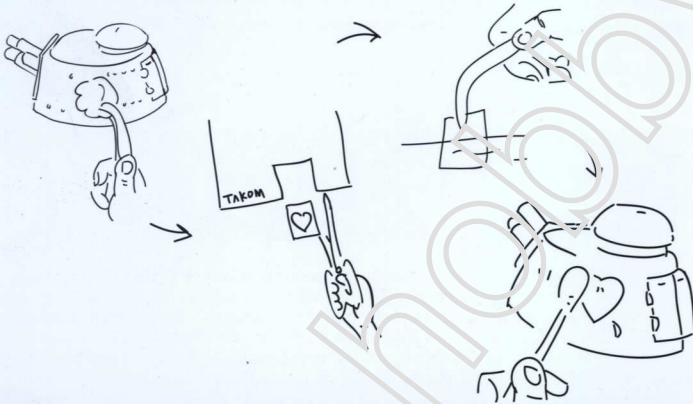
PAINTS REQUIRED

Color info and profiles by Mig Jimenez

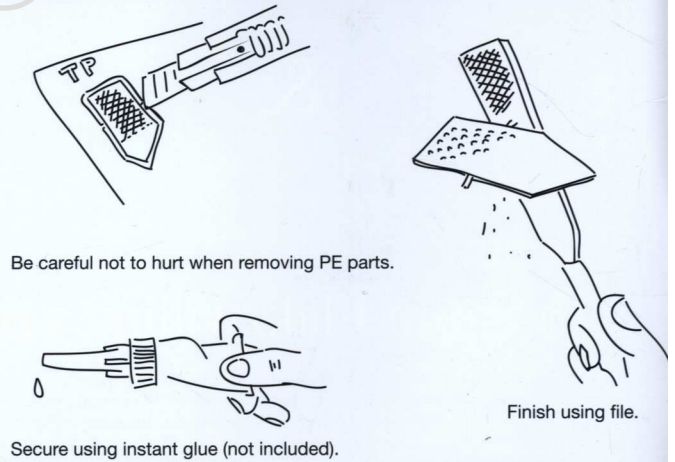
A.MIG 033 Rubber & Tires	A.MIG 035 Dark Track	A.MIG 036 Old Wood	A.MIG 038 Light Wood
A.MIG 040 Medium Run	A.MIG 043 Gun Metal	A.MIG 093 Crystal Red	A.MIG 096 Crystal Periscope Green
A.MIG 053 Resedagrün	A.MIG 010 Dunkelgelb Nazi Wehr	A.MIG 014 Rotbraun	A.MIG 002 Olivgrün Opt.2
A.MIG 019 Schokobraun	A.MIG 017 Dunkelgelb Aus '44 DGI		

APPLYING DECALS

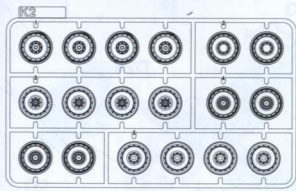
1. Clean the model surface with a wet cloth.
2. Cut out each decal design from sheet, and dip it in tepid water for 15~20 sec.
3. Hold the backing sheet edge and slide decal onto the model.
4. Move decal into position by wetting decal with finger.
5. Press decal gently down with a soft cloth until excess water and air bubbles are gone.



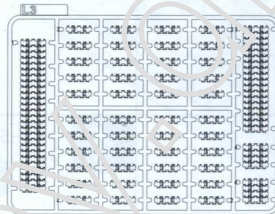
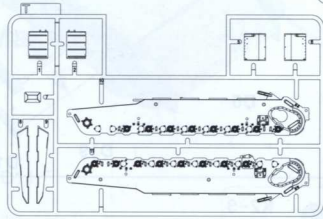
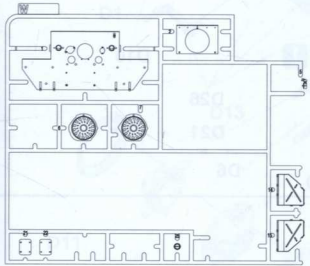
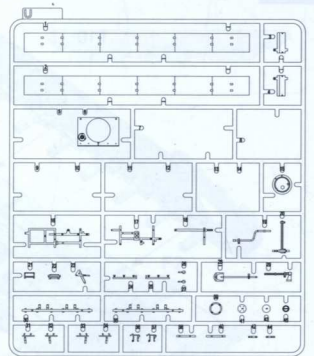
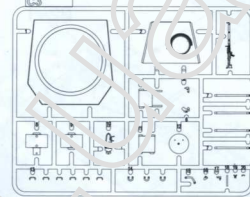
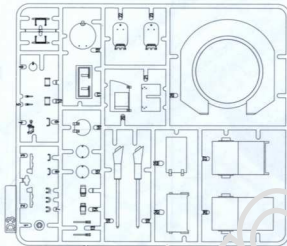
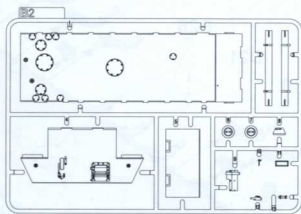
REMOVING PE



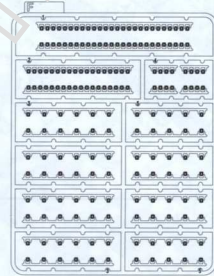
PARTS



X2



X2



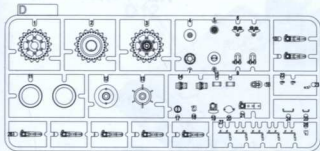
X2



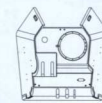
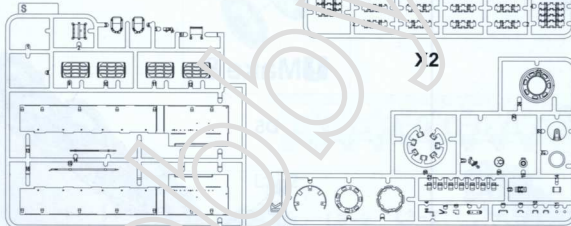
Z2



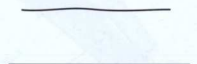
Z1



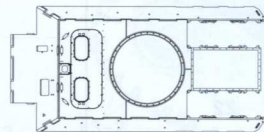
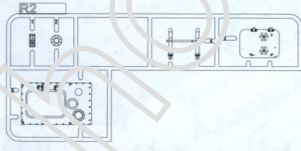
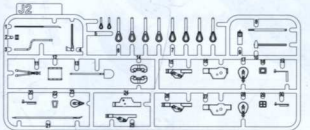
X2



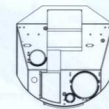
P10



Cable



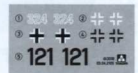
Upper Hull



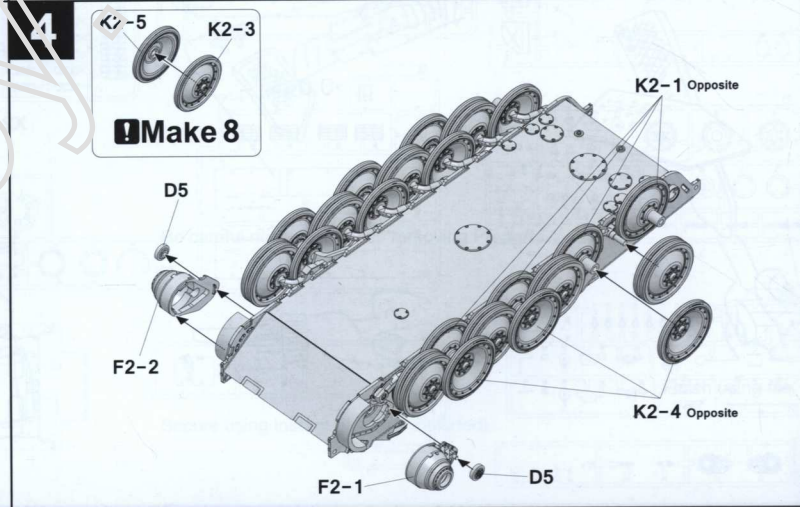
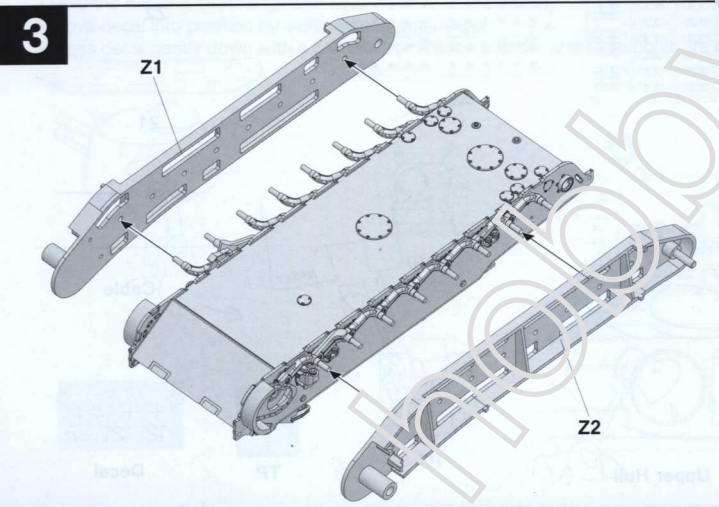
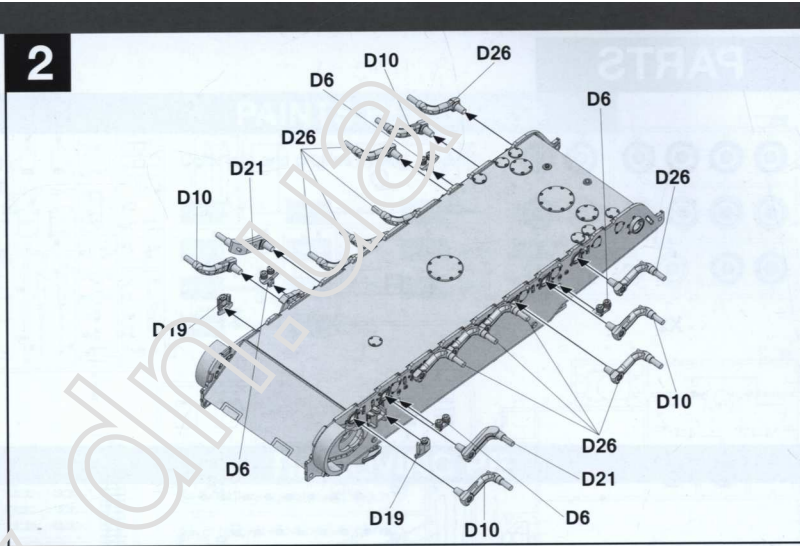
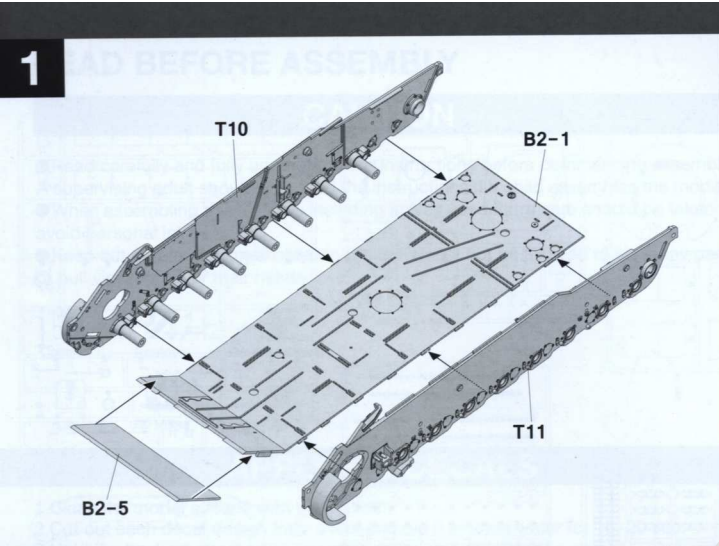
P9



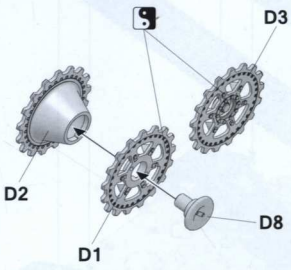
TP



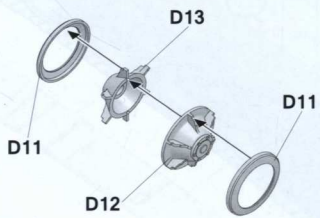
Decal



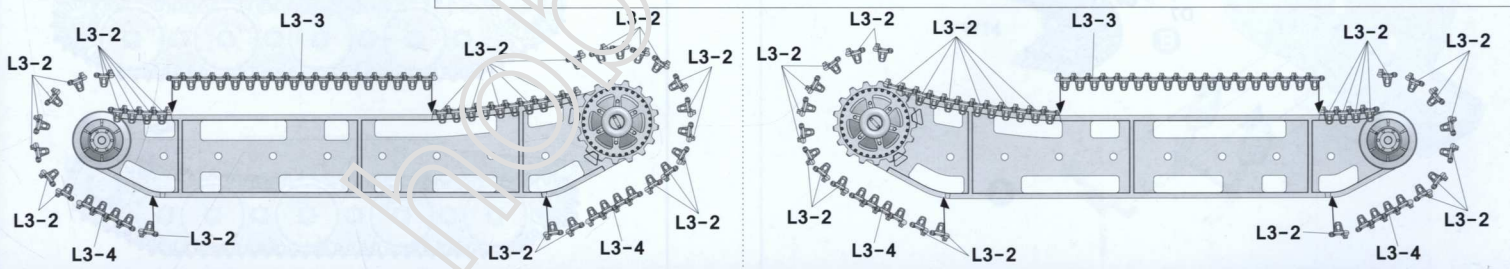
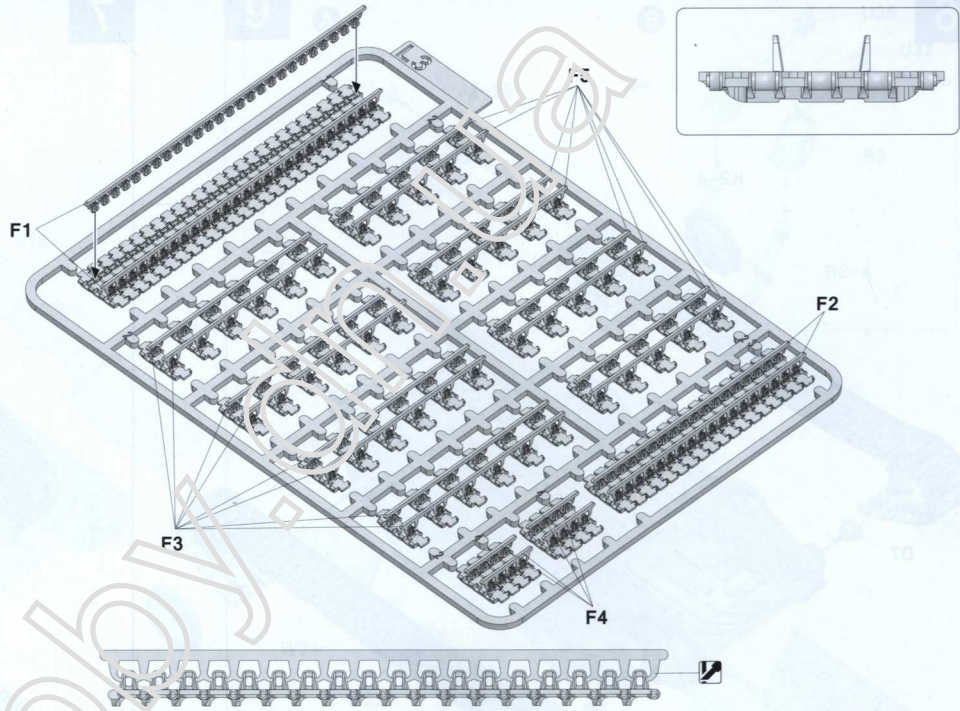
5



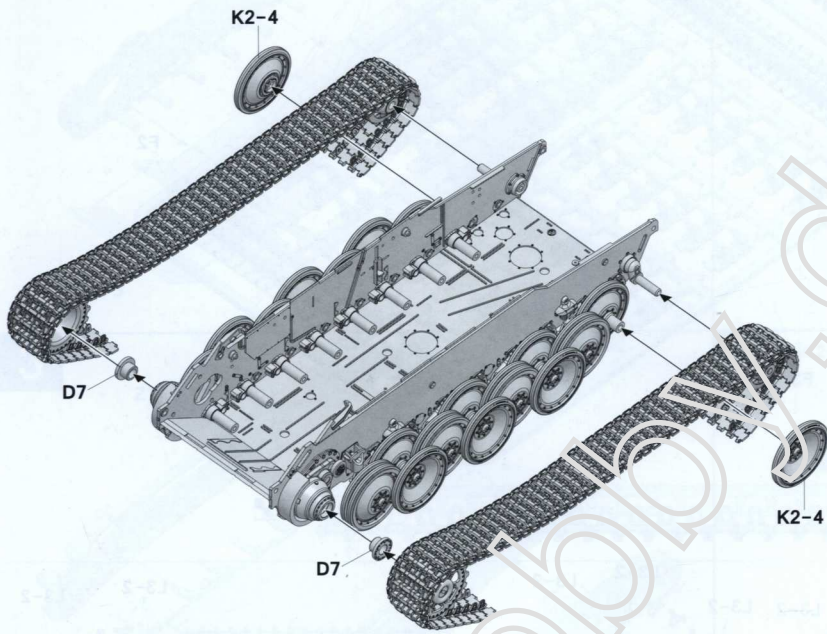
Make 2



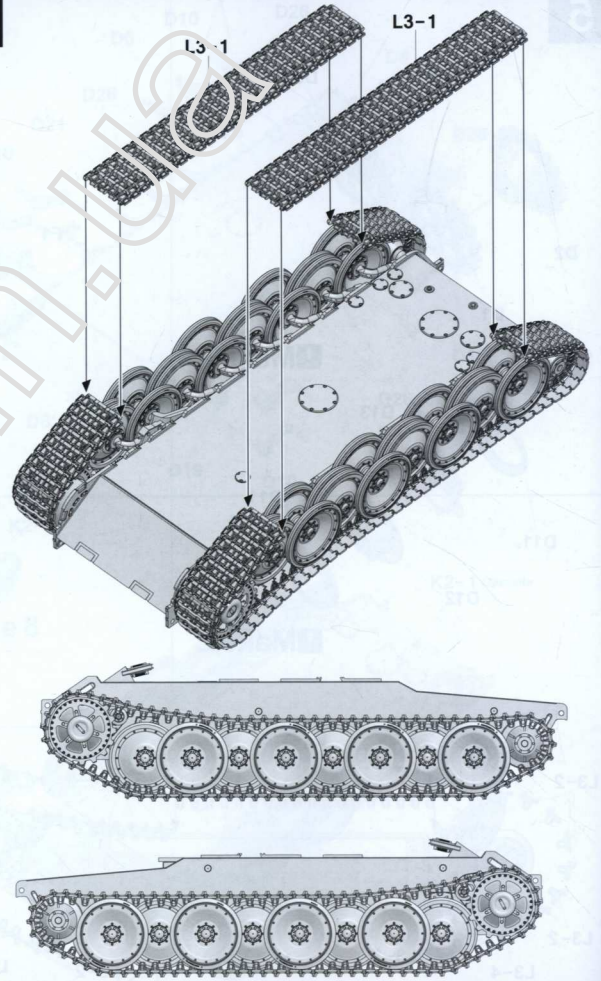
Make 2



6

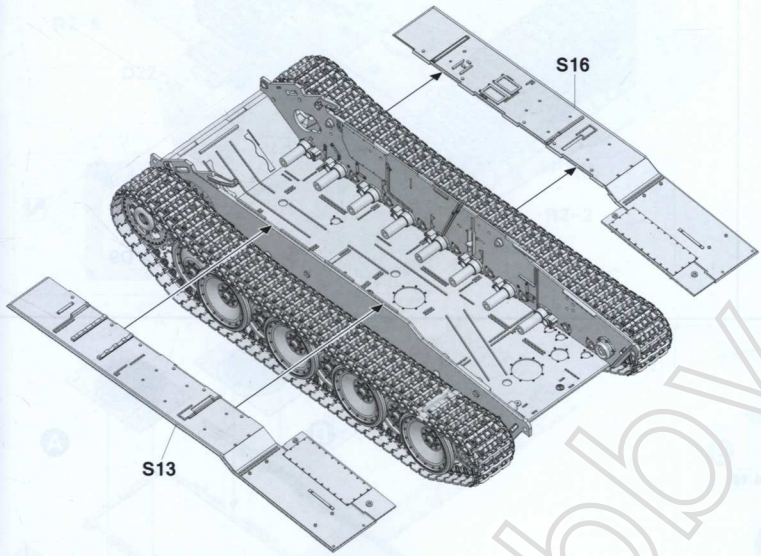


7

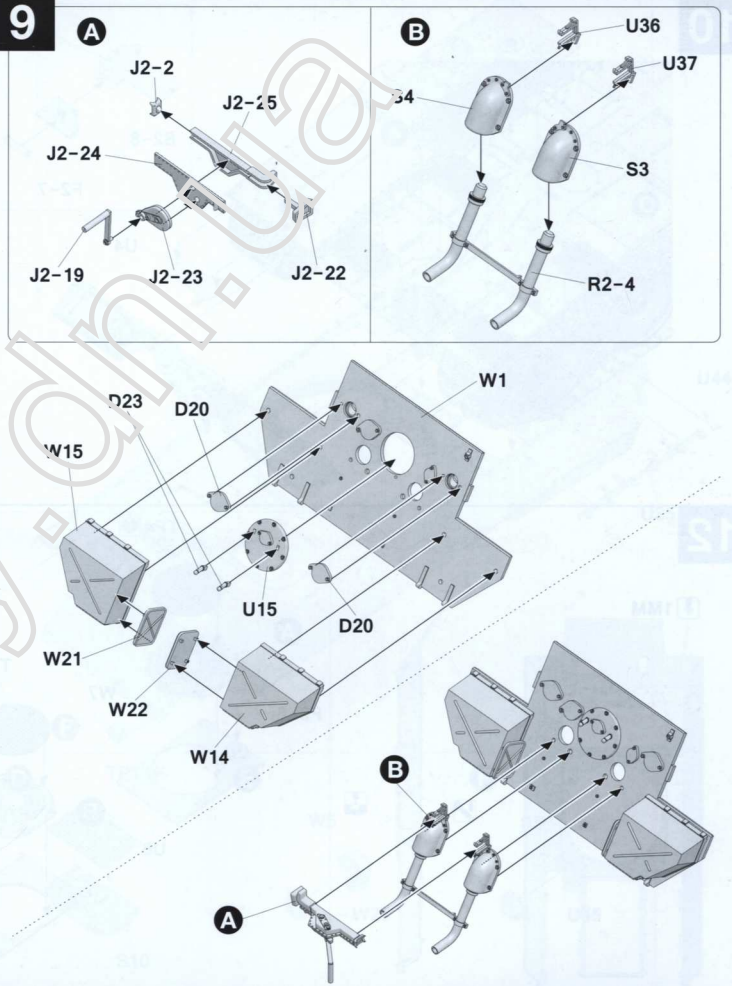


5

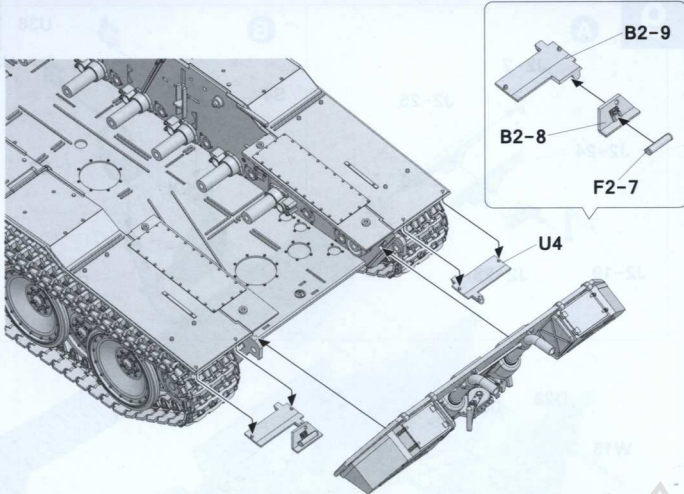
8



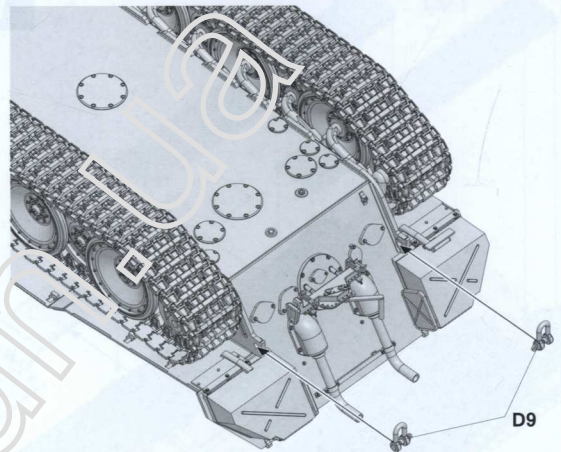
9



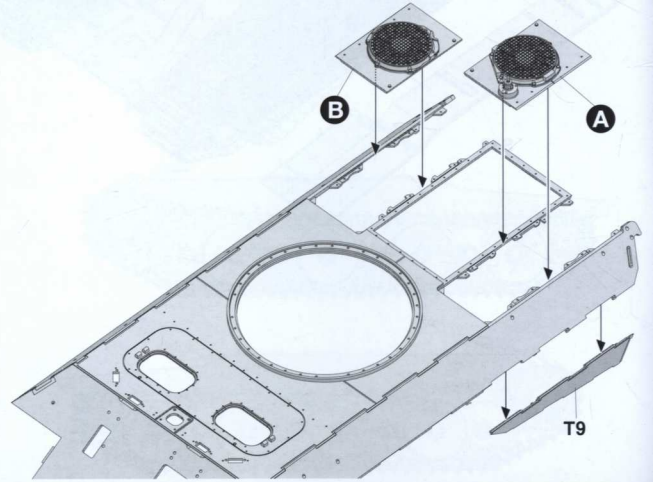
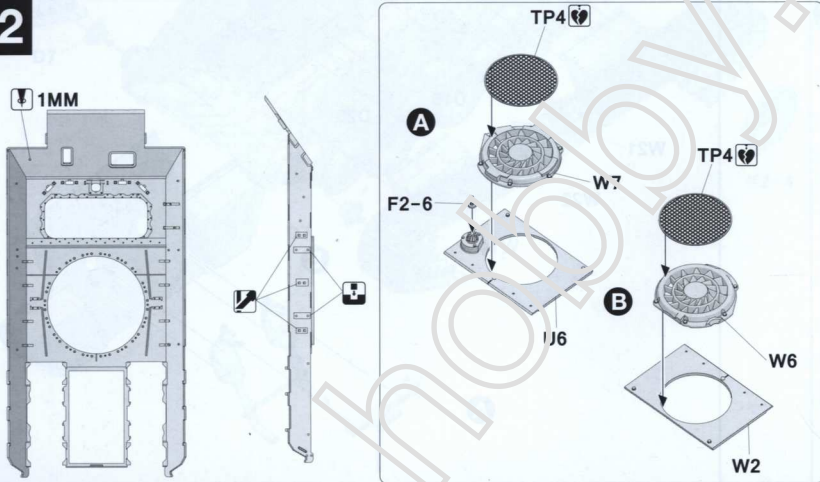
10



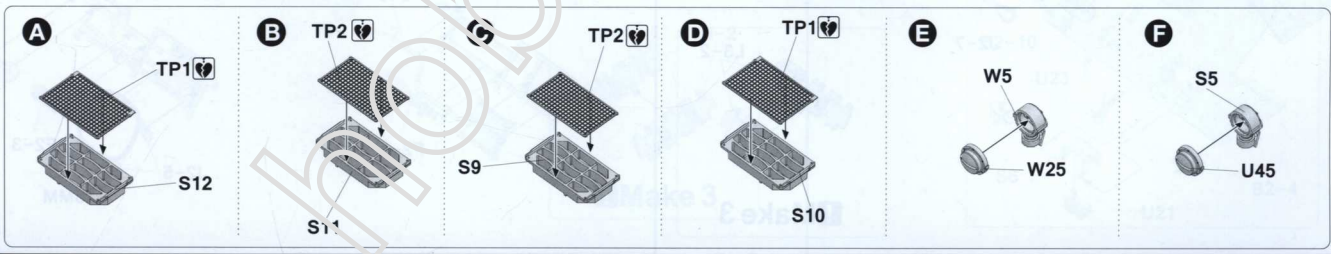
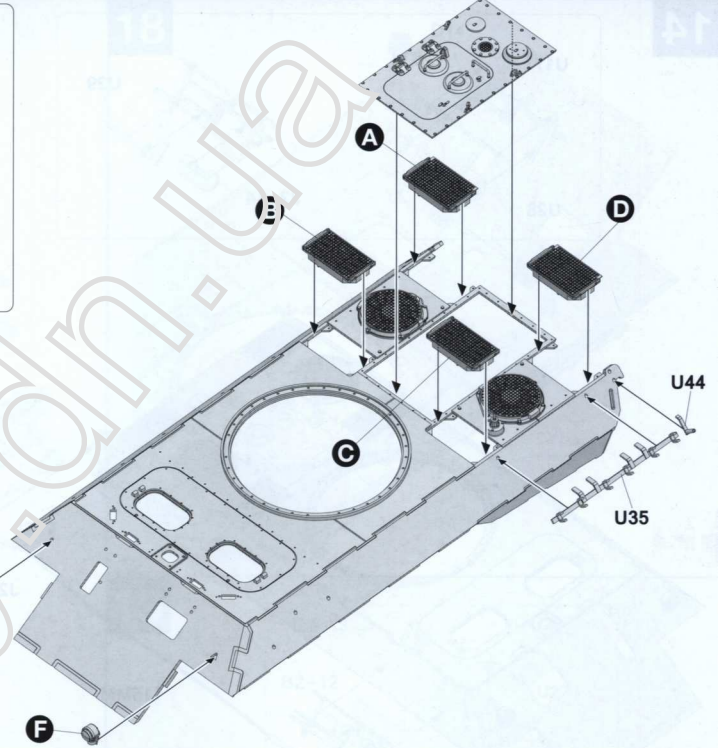
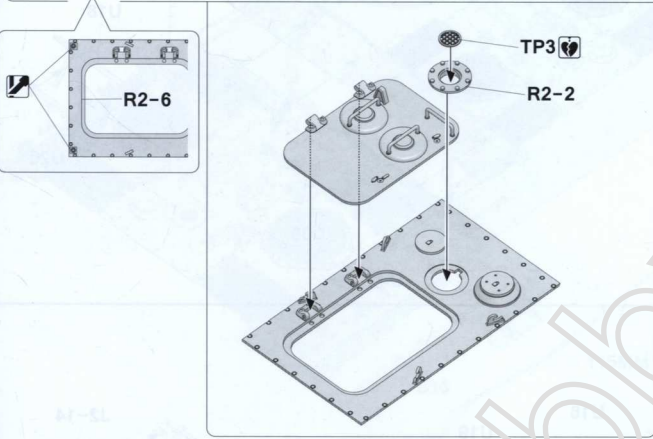
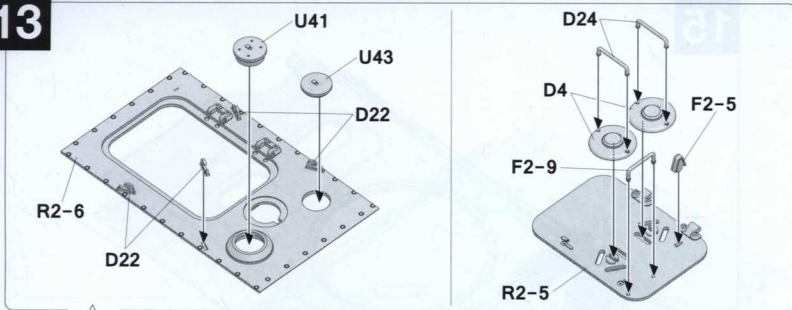
11



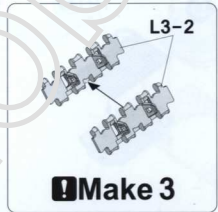
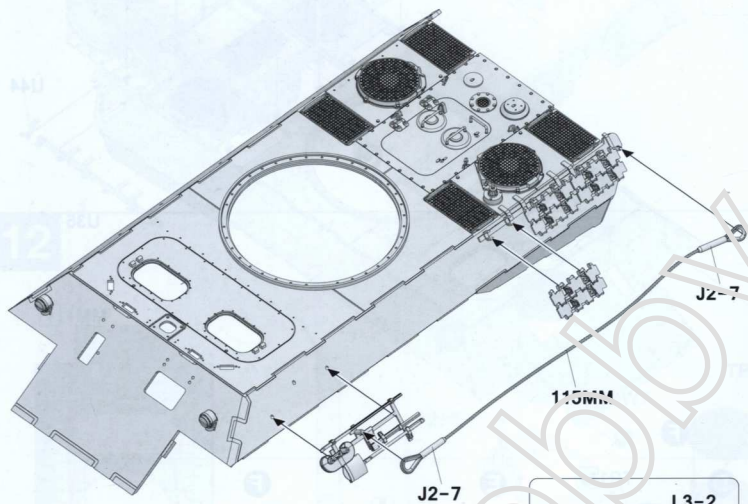
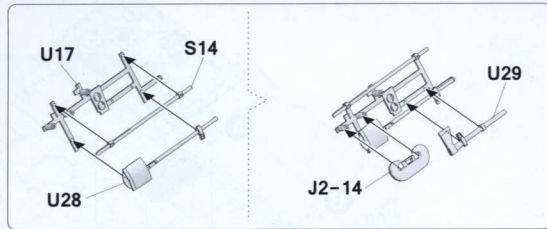
12



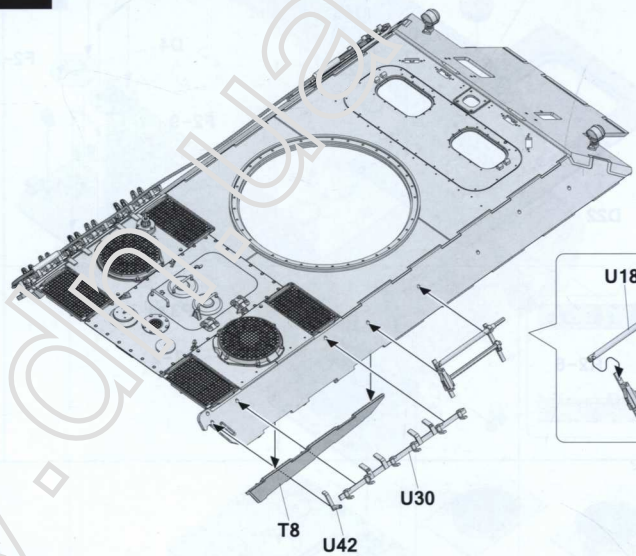
13



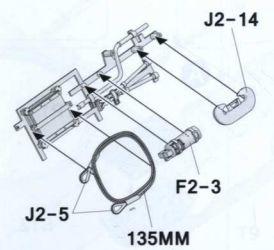
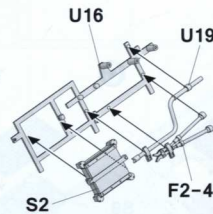
14



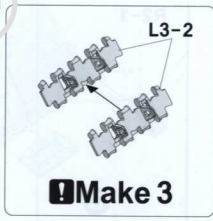
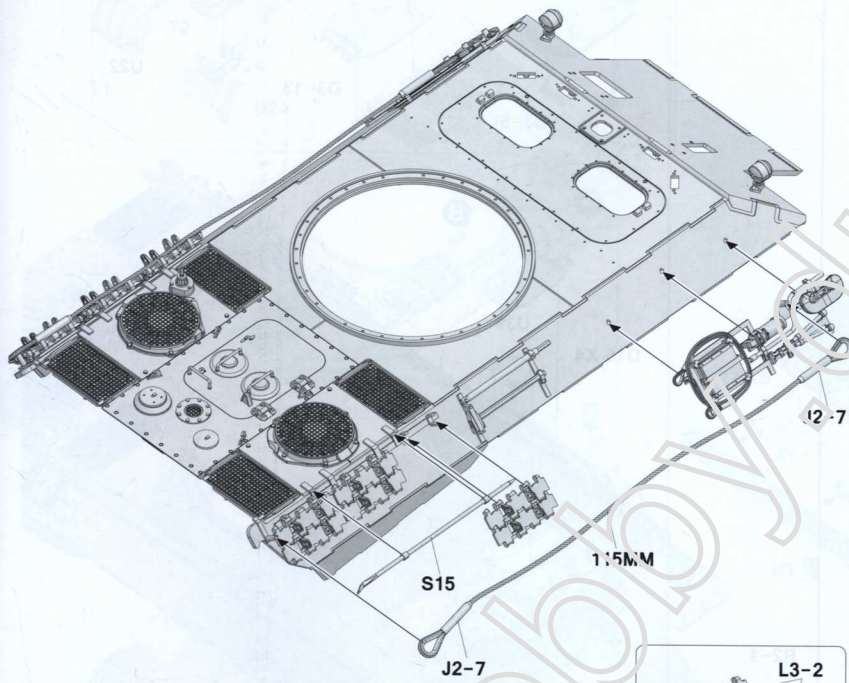
15



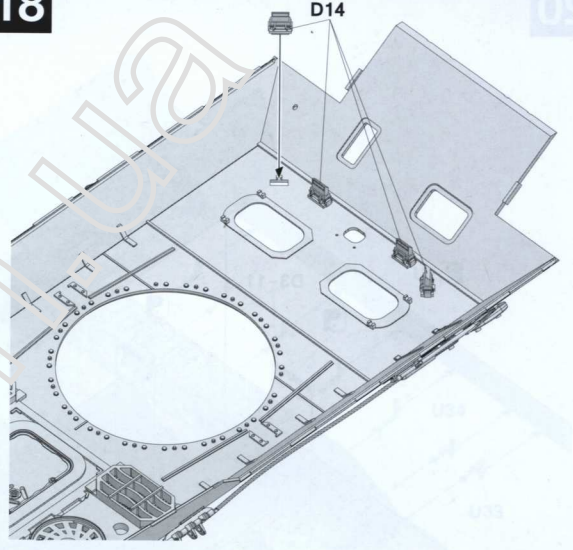
16



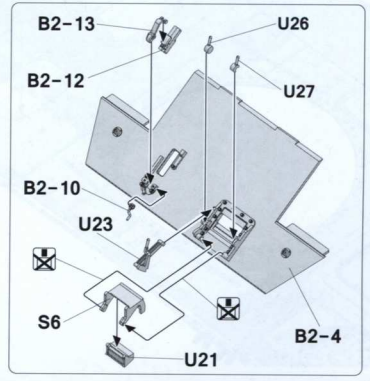
17



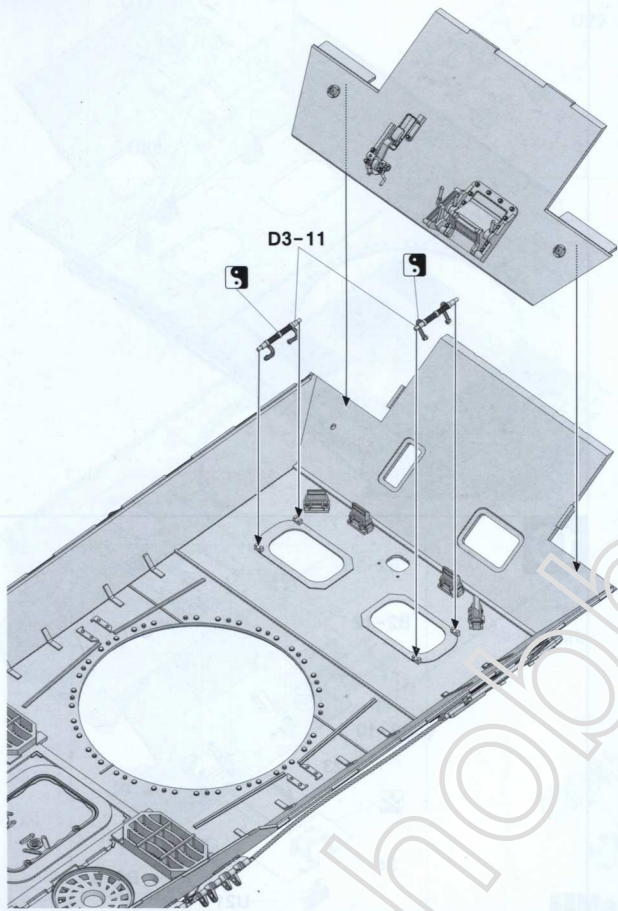
18



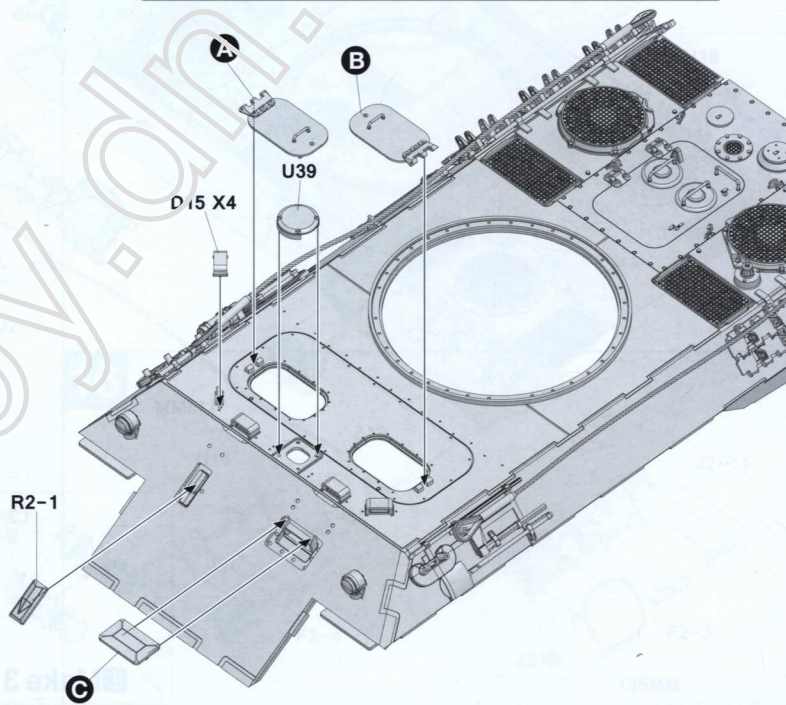
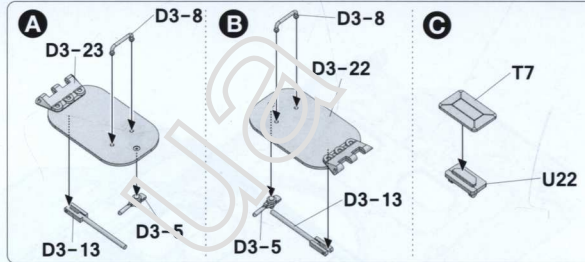
19



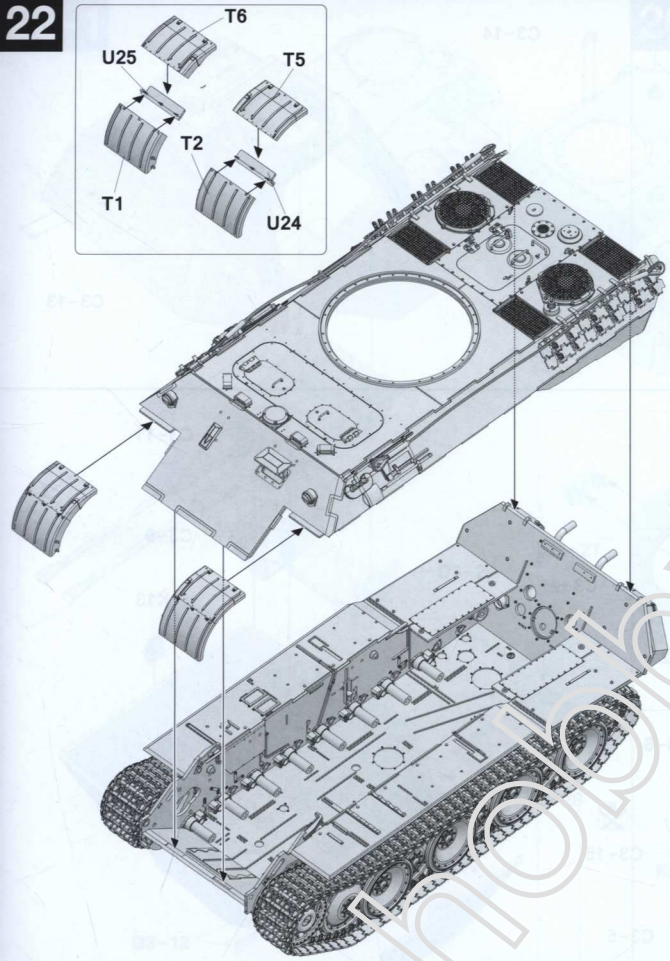
20



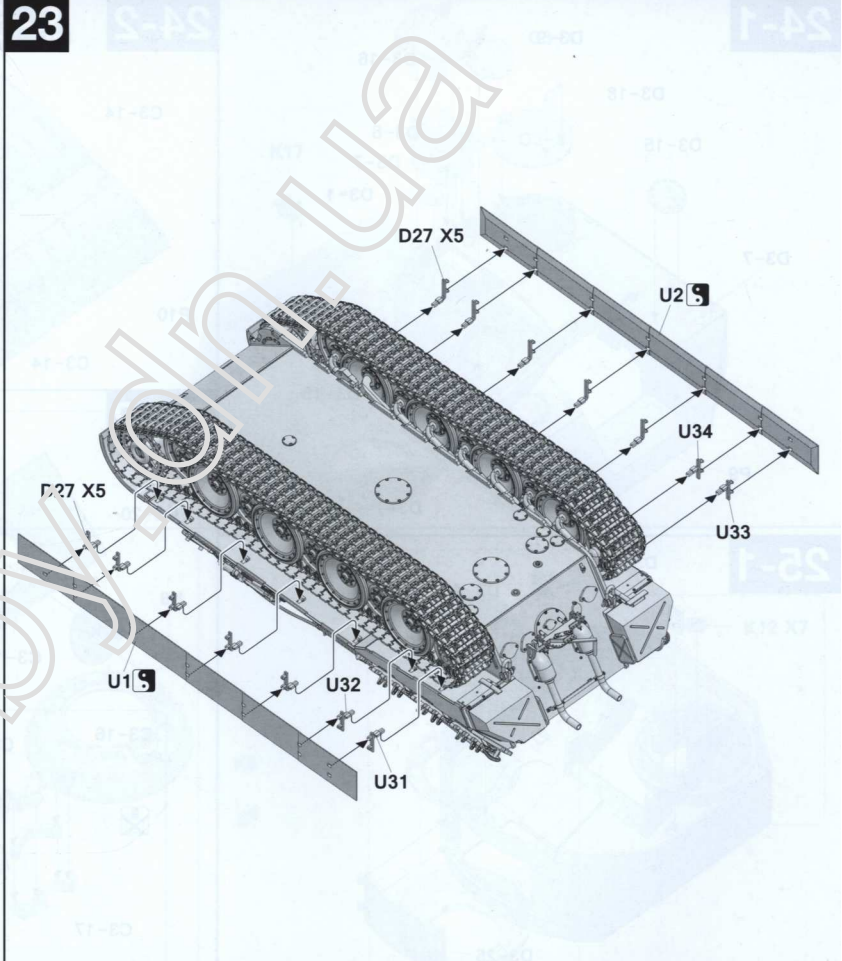
21



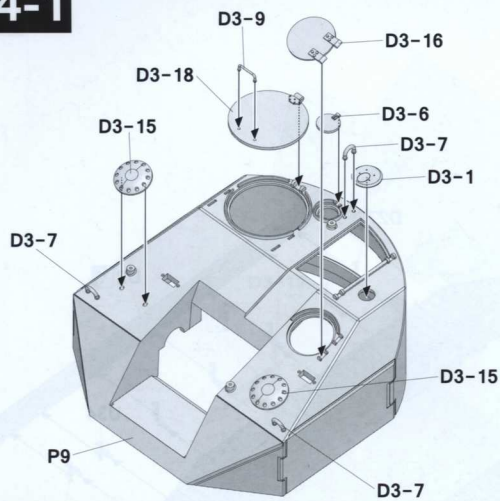
22



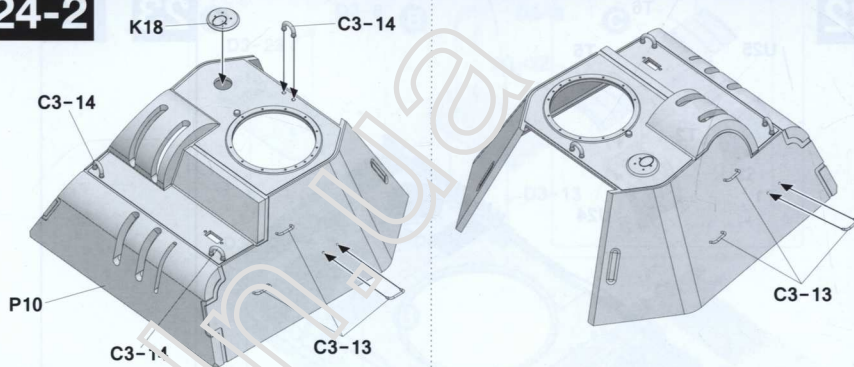
23



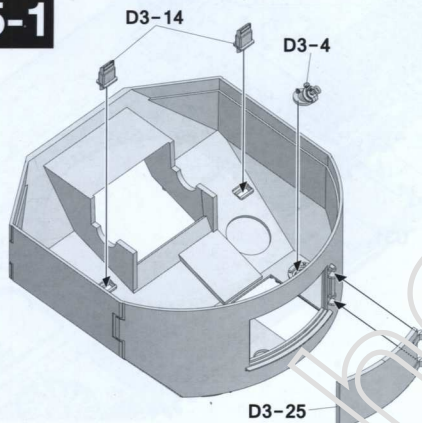
24-1



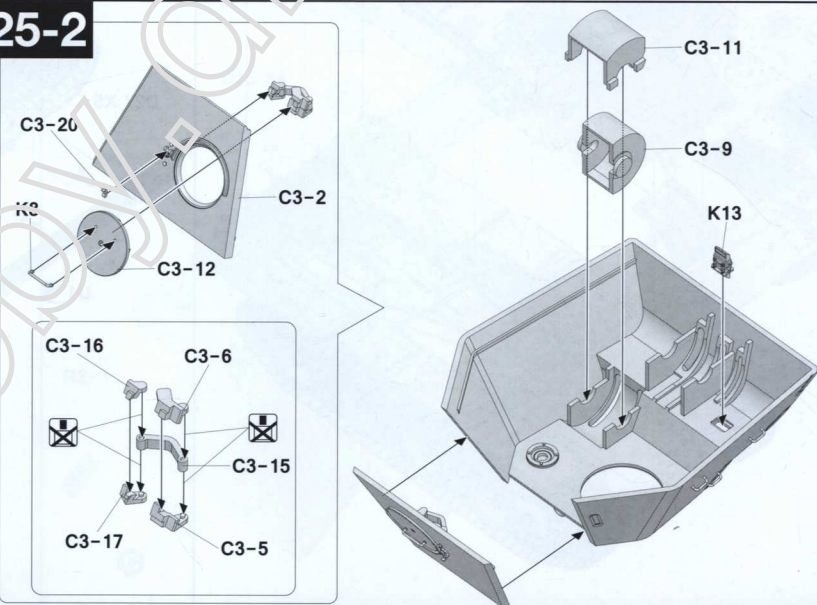
24-2



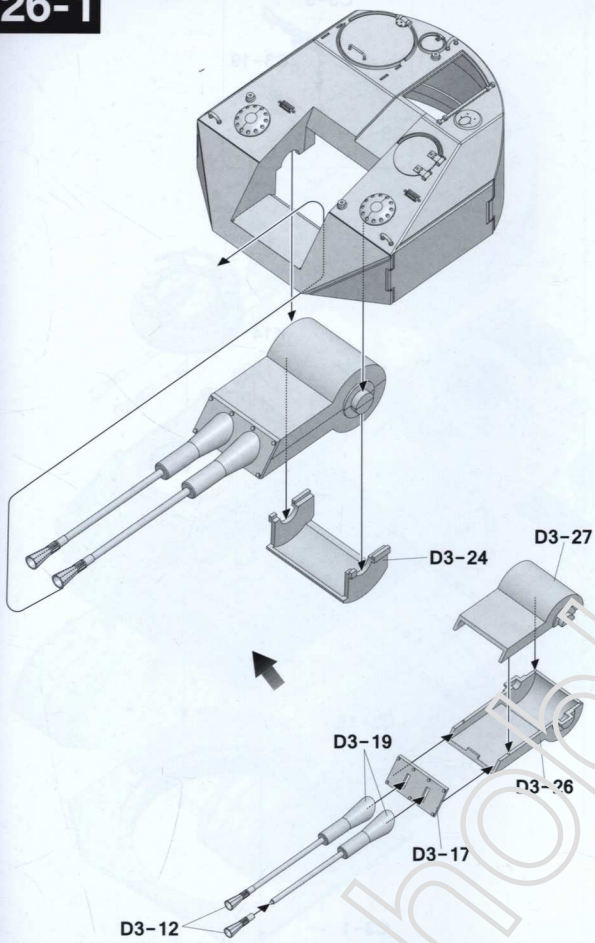
25-1



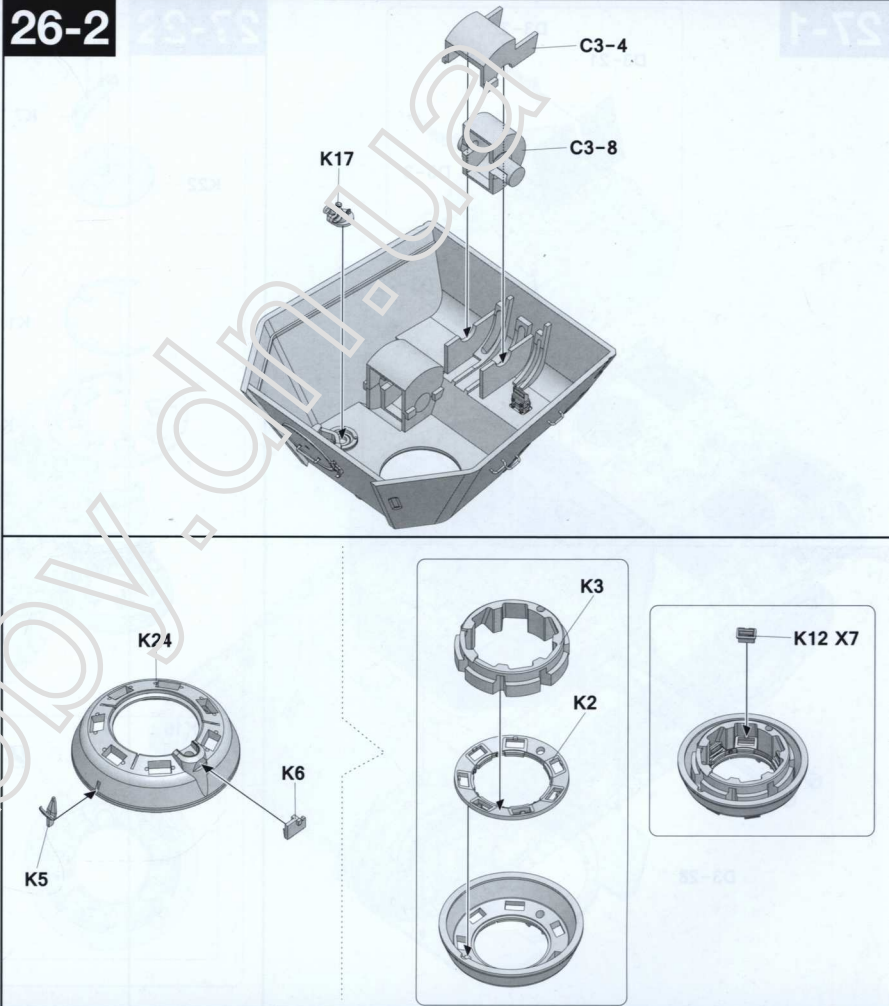
25-2



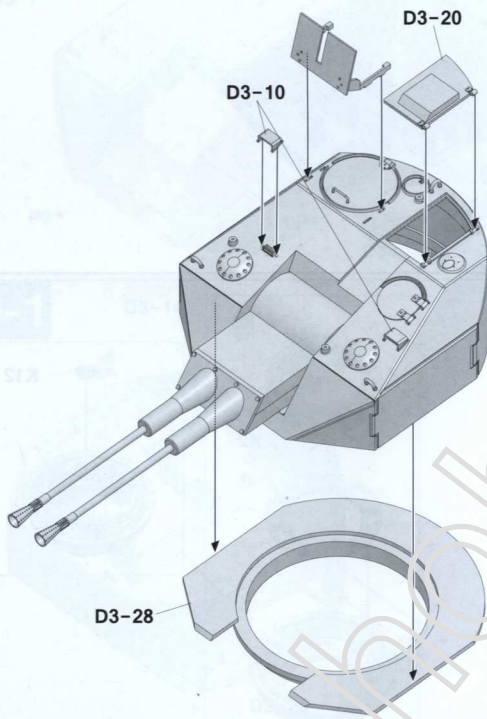
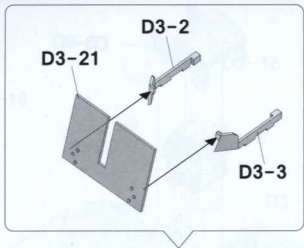
26-1



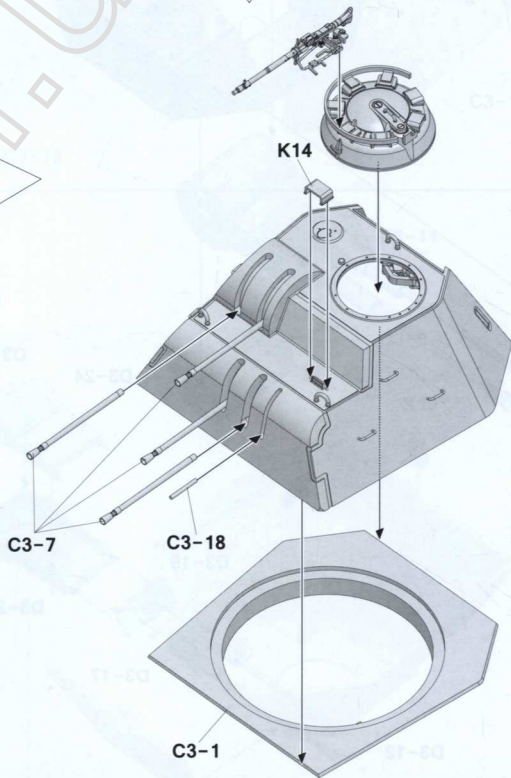
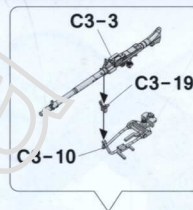
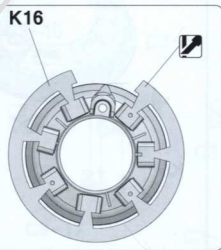
26-2



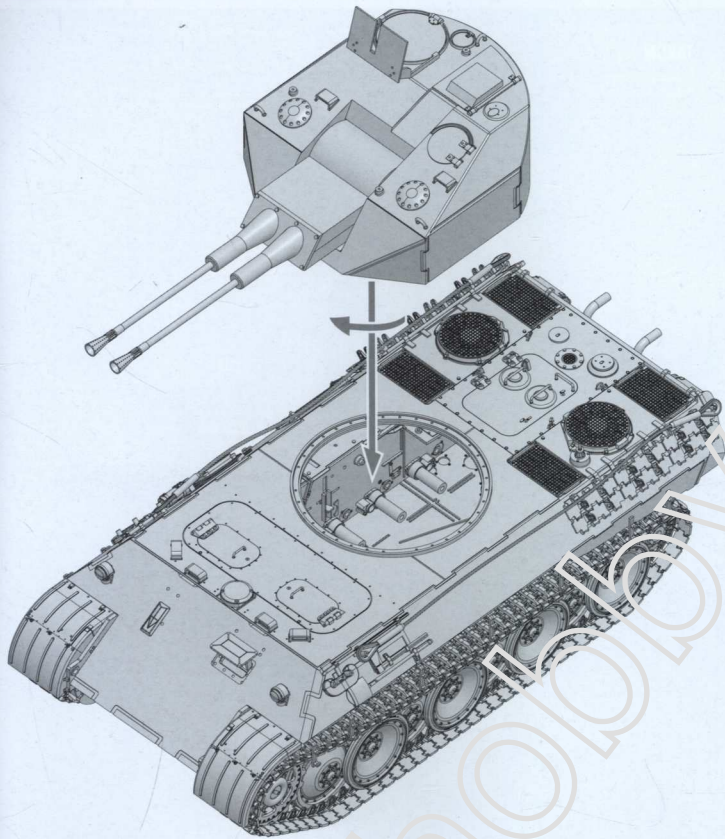
27-1



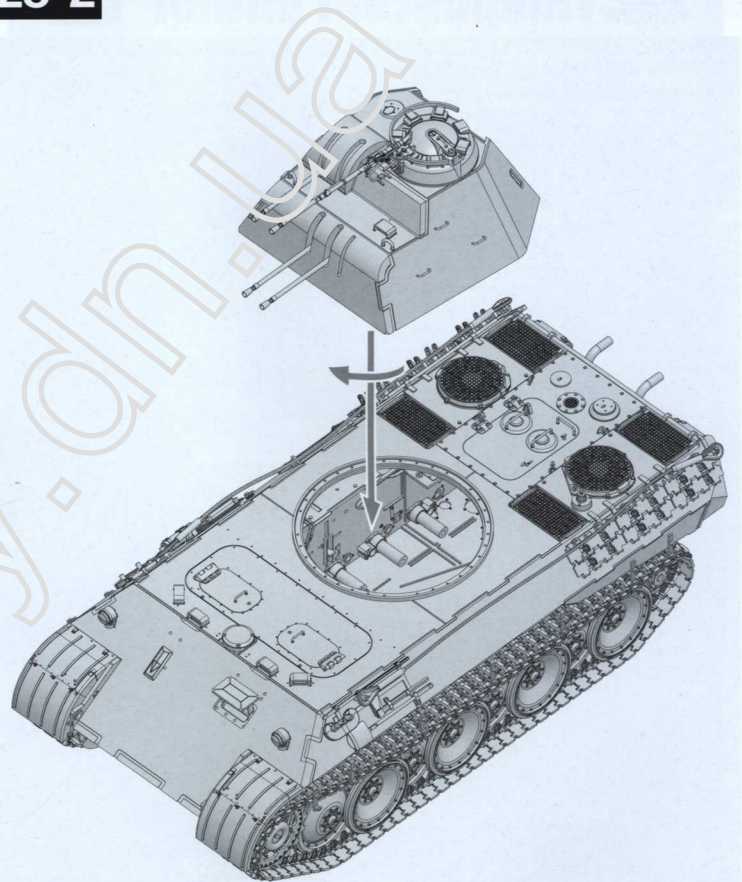
27-2



28-1



28-2





03.03.2105 Flakpanzer Panther

www.migjimez.com



Painting and Marking Guide

TAKOM Ref: 2105

Flakpanzer Panther "Coalition" with 37mm Flakzwillig 341, 2 in 1.

A.MIG 033 Rubber & Tires	A.MIG 035 Dark Tracks	A.MIG 036 Old Wood	A.MIG 038 Light Wood
A.MIG 040 Medium Rust	A.MIG 045 Gun Metal	A.MIG 093 Crystal Red	A.MIG 096 Crystal Purplish Green
A.MIG 003 Rosengrün	A.MIG 010 Dunkelgelb Mid war	A.MIG 014 Rotbraun	



WEATHERING STEPS WITH AMMO PRODUCTS

- | | | | |
|--|--|---|--|
| 1 GENERAL WASH
A.MIG-1002 Brown Wash for German Yellow | 3 STREAKING
A.MIG-1203 Streaking Green | 5 TRACK WASH
A.MIG-1002 Tracks Wash | 7 RUD & SPLASHES
A.MIG-1701 Iron Oxide A.MIG-1703 Tanned Oil |
| 2 FILTER
A.MIG-1511 Brown for Dark Yellow | 4 RUST
A.MIG-3510 Rust | 6 DIRT
A.MIG-3004 Europe Earth | 8 OILS & GREASE
A.MIG-1408 Fresh Engine Oil |



03.03.2105 Flakpanzer Panther

www.migjimez.com



Painting and Marking Guide

TAKOM Ref: 2105

Flakpanzer Panther "Coalition" with 37mm Flakzwillig 341, 2 in 1.

A.MIG 033 Rubber & Tires	A.MIG 035 Dark Tracks	A.MIG 036 Old Wood	A.MIG 038 Light Wood
A.MIG 040 Medium Rust	A.MIG 045 Gun Metal	A.MIG 093 Crystal Red	A.MIG 096 Crystal Purplish Green
A.MIG 002 Dunkelgelb Mid war	A.MIG 007 Dunkelgelb Mid war	A.MIG 010 Dunkelgelb Mid war	A.MIG 015 Schokobraun



WEATHERING STEPS WITH AMMO PRODUCTS

- | | | | |
|--|--|---|--|
| 1 GENERAL WASH
A.MIG-1002 Brown Wash for German Yellow | 3 STREAKING
A.MIG-1203 Streaking Green | 5 TRACK WASH
A.MIG-1002 Tracks Wash | 7 RUD & SPLASHES
A.MIG-1701 Iron Oxide A.MIG-1704 Damp Earth |
| 2 FILTER
A.MIG-1511 Brown for Dark Yellow | 4 RUST
A.MIG-3510 Rust | 6 DIRT
A.MIG-3004 Europe Earth | 8 OILS & GREASE
A.MIG-1408 Fresh Engine Oil |

03.03.2105



Flakpanzer Panther

www.migjimenez.com



Painting and Marking Guide

TAKOM Ref: 2105

Flakpanzer Panther "Coelian" with 37mm
Flakzwilling 341, 2 in 1.

A.MIG 033	Rubber & Tires	A.MIG 035	Dark Tracks	A.MIG 036	Old Wood	A.MIG 038	Light Wood
A.MIG 040	Medium Rust	A.MIG 045	Gun Metal	A.MIG 093	Crystal Red	A.MIG 096	Crystal Parrotree Green
A.MIG 002	Clayton Cpt.2	A.MIG 010	Dunkelgelb Mid. var.				



WEATHERING STEPS WITH AMMO PRODUCTS

- | | | | |
|--|--|---|---|
| 1 GENERAL WASH
A.MIG-1000 Brown Wash for German Yellow | 3 STREAKING
A.MIG-1323 Streaking Green | 5 TRACK WASH
A.MIG-1002 Tracks Wash | 7 RUD & SPLASHES
A.MIG-1704 Heavy Earth A.MIG-1704 Damp Earth |
| 2 FILZ
A.MIG-1011 Brown for Dark Yellow | 4 RUST
A.MIG-3010 Rust | 6 RUST
A.MIG-3004 Europe Earth | 8 GREASE & OIL
A.MIG-1408 Fresh Engine Oil |

03.03.2105



Flakpanzer Panther

www.migjimenez.com



Painting and Marking Guide

TAKOM Ref: 2105

Flakpanzer Panther 20mm Flakvierling
MG151/20, 2 in 1.

A.MIG 033	Rubber & Tires	A.MIG 035	Dark Tracks	A.MIG 036	Old Wood	A.MIG 038	Light Wood
A.MIG 040	Medium Rust	A.MIG 045	Gun Metal	A.MIG 093	Crystal Red	A.MIG 096	Crystal Parrotree Green
A.MIG 002	Clayton Cpt.2	A.MIG 011	Dunkelgelb Aus. 44 DG1	A.MIG 014	Rotbraun		



WEATHERING STEPS WITH AMMO PRODUCTS

- | | | | |
|---|--|---|--|
| 1 GENERAL WASH
A.MIG-1001 Africa Kopsa Wash | 3 STREAKING
A.MIG-1207 Streaking Green for US Modern Vehicle | 5 TRACK WASH
A.MIG-1002 Tracks Wash | 7 RUD & SPLASHES
A.MIG-1704 Heavy Earth A.MIG-1703 Tarned Dirt |
| 2 FILZ
A.MIG-1011 Brown for Dark Yellow | 4 RUST
A.MIG-3010 Rust | 6 RUST
A.MIG-3004 Europe Earth | 8 GREASE & OIL
A.MIG-1408 Fresh Engine Oil |



Flakpanzer Panther

www.migjimez.com

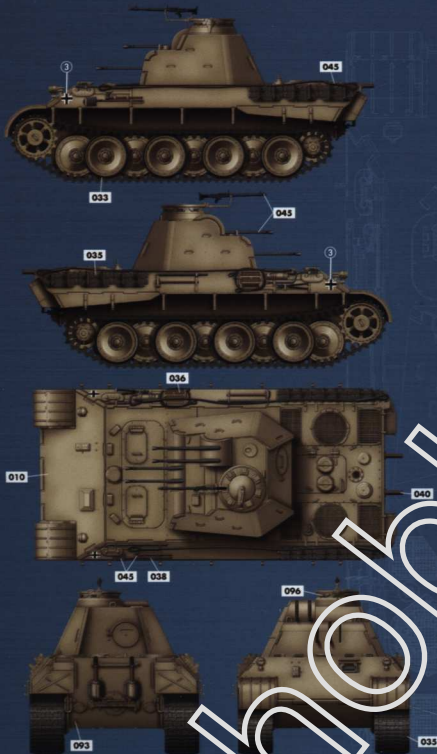


Painting and Marking Guide

TAKOM Ref: 2105

Flakpanzer Panther 20mm Flakvierling MG151/20, 2 in 1.

- A.MIG 033 Rubber & Tires
- A.MIG 035 Dark Tracks
- A.MIG 036 Old Wood
- A.MIG 038 Light Wood
- A.MIG 040 Medium Rust
- A.MIG 045 Gun Metal
- A.MIG 093 Crystal Red
- A.MIG 096 Crystal Parrotape Green
- A.MIG 010 Dunkelgelb Mod. 402



WEATHERING STEPS WITH AMMO PRODUCTS

- 1 GENERAL WASH**
A.MIG-1000 Brown Wash for German Yellow
- 2 FILTER**
A.MIG-1511 Brown for Dark Yellow
- 3 STREAKING**
A.MIG-1203 Streaking Olive
- 4 RUST**
A.MIG-3510 Rust
- 5 TRACK WASH**
A.MIG-1002 Tracks Wash
- 6 RUST**
A.MIG-3004 Europe Earth
- 7 MUD & SPLASHES**
A.MIG-1702 Turned Earth A.MIG-1703 Turned Dirt
- 8 GREASE & OIL**
A.MIG-1408 Fresh Engine Oil



Flakpanzer Panther

www.migjimez.com



Painting and Marking Guide

TAKOM Ref: 2105

Flakpanzer Panther 20mm Flakvierling MG151/20, 2 in 1.

- A.MIG 033 Rubber & Tires
- A.MIG 035 Dark Tracks
- A.MIG 036 Old Wood
- A.MIG 038 Light Wood
- A.MIG 040 Medium Rust
- A.MIG 045 Gun Metal
- A.MIG 093 Crystal Red
- A.MIG 096 Crystal Parrotape Green
- A.MIG 002 Dark Green Op. 2
- A.MIG 011 Dunkelgelb Aus. '44 DG I
- A.MIG 015 Schokobrown



WEATHERING STEPS WITH AMMO PRODUCTS

- 1 GENERAL WASH**
A.MIG-1000 Dark Brown for Green Vehicles
- 2 FILTER**
A.MIG-1511 Brown for Dark Yellow
- 3 STREAKING**
A.MIG-1206 Dark Streaking Olive
- 4 RUST**
A.MIG-3510 Rust
- 5 TRACK WASH**
A.MIG-1002 Tracks Wash
- 6 RUST**
A.MIG-3004 Europe Earth
- 7 MUD & SPLASHES**
A.MIG-1704 Heavy Earth A.MIG-1703 Turned Dirt
- 8 GREASE & OIL**
A.MIG-1408 Fresh Engine Oil