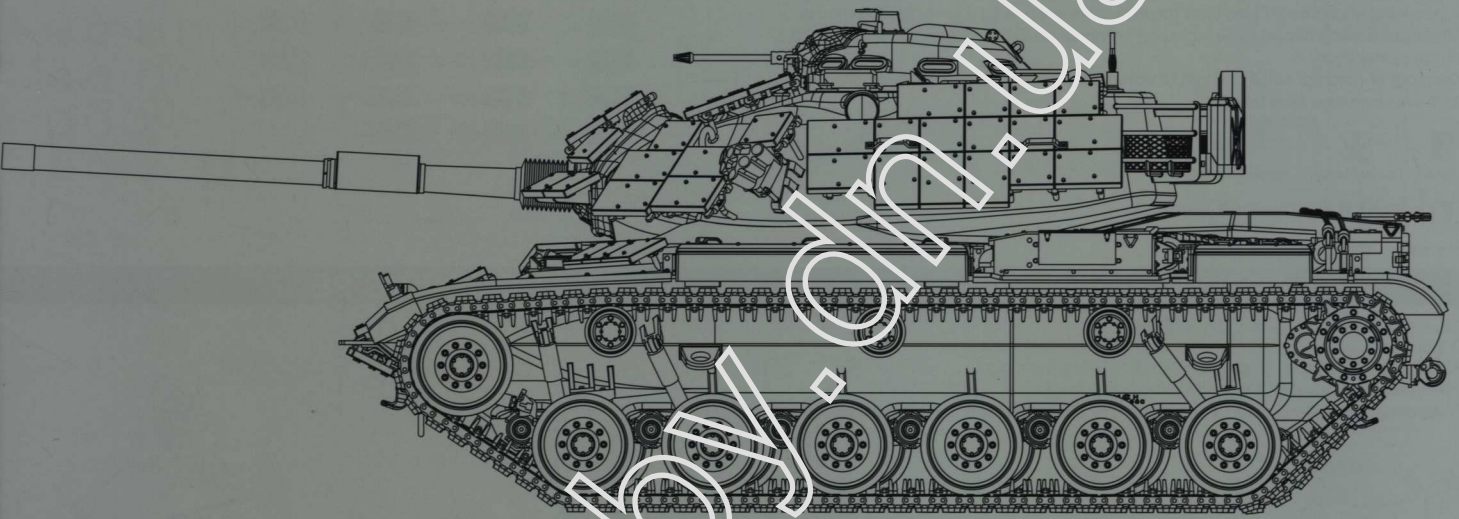


M60A1 w/EXPLOSIVE REACTIVE ARMOR



Evolving from the M48 through the M60, the M-60A1 Patton tank was produced from 1963 through 1980. This newer variant featured a redesigned wedge-shaped turret with improved ballistic protection and a new mounting for the 105mm M68 main gun (modified from the excellent British L7 with a vertical sliding breech block), which could fire HE, Frag, AP, and HEAT rounds. Additional armament consisted of a coaxially mounted 7.62 mm M73 machine gun and a 12.7 mm M85 machine gun mounted in the commander's cupola. Further improvements consisted of increased armor thickness on the glacis and hull sides, as well as the installation of shock absorbers at the first two and last roadwheel stations. Powered by the improved 643 hp Continental AVDS-1790-2A V-12 twin turbo diesel engine coupled to the Allison CD-850-04 powershift cross-drive transmission, the tank weighed 58 tons and was served by a crew of four -- commander, gunner, loader, and driver. This vehicle became the main battle tank fielded by the US Armed forces through the 1960's into the early 1970's.

The ultimate development of the M-60A1 was the M-60A1 RISE (RISE = Reliability Improvements for Selected Equipment). These were rebuilt M-60A1's, with added passive 'starlight' scopes for the driver, gunner and commander, eliminating the need for the bulky IR projector above the main gun. Other improvements included the Continental AVDS-1790-2C engine, which helped to boost engine power. A battery of smoke dischargers was also added to either side of the turret, like the set-up on the Chieftain tank. These vehicles were quickly supplied to frontline units overseas, such as in Germany, by early 1979.

Deployed to Operation Desert Shield in 1990, the United States Marines Corps' main battle tank was retrofitted with explosive reactive armor (ERA) tiles to further increase crew protection. During Operation Desert Storm, the 1st Marine Expeditionary Force fielded 210 M60A1's to support the liberation of Kuwait, destroying over 100 Iraqi T-55/62/72 & Type 69-II tanks (and losing only one to anti-tank mines).

03.02.2113

READ BEFORE ASSEMBLY

CAUTION

- Read carefully and fully understand the instructions before commencing assembly. A supervising adult should also read the instructions if a child assembles the model.
- When assembling this kit, tools including knives used. Extra care should be taken to avoid personal injury.
- Keep out of reach of small children. Children must not be allowed to suck any part, or pull vinyl bag over their heads.



Optional



Do Not Cement



Instant Glue for Metal



Drill



Remove



Fill Holes

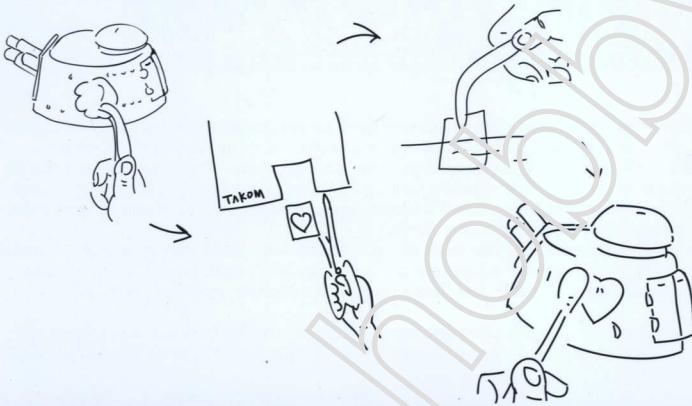
PAINTS REQUIRED

Color info and profiles by M g Jir e nez

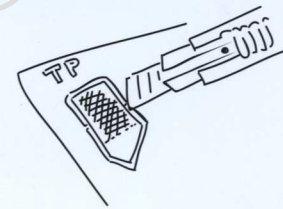
A.MIG 033 Rubber & Tires	A.MIG 034 Dark Tracks	A.MIG 045 Gun Metal	A.MIG 071 Khaki
A.MIG 098 Cryst. Glass	A.MIG 095 Cryst. Smoke	A.MIG 099 Crystal Black Blue	A.MIG 195 Silver
A.MIG 020 U.S Modern Vehicles	A.MIG 040 Wood Black	A.MIG 018 Gelbbraun	A.MIG 073 Earth
A.MIG 055 Oil Ochre	A.MIG 081 US Olive Drab	A.MIG 072 Dust	

APPLYING DECALS

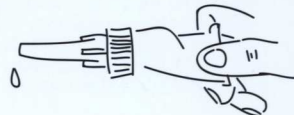
1. Clean the model surface with a wet cloth.
2. Cut out each decal design from sheet, and dip it in tepid water for 15-20 sec.
3. Hold the backing sheet edge and slide decal onto the model.
4. Move decal into position by wetting decal with finger.
5. Press decal gently down with a soft cloth until excess water and air bubbles are gone.



REMOVING PE



Be careful not to hurt when removing PE parts.

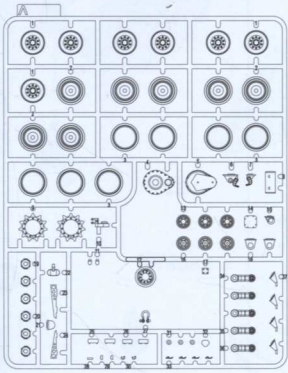


Secure using instant glue (not included).

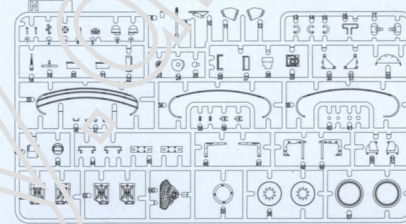
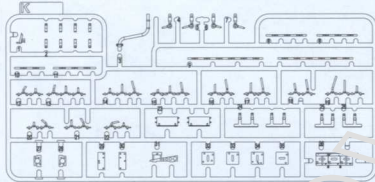
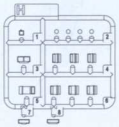
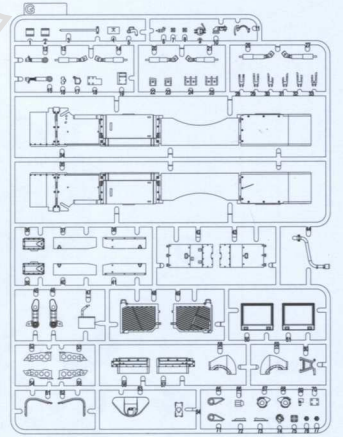
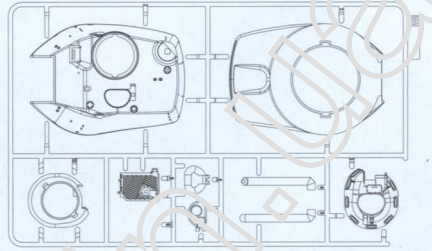
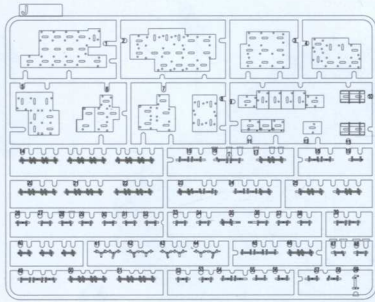


Finish using file.

PARTS



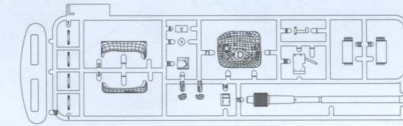
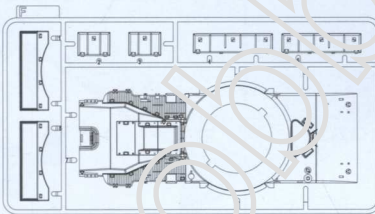
X2



Cable



Lower Hull



X2

Steel Pins



X2

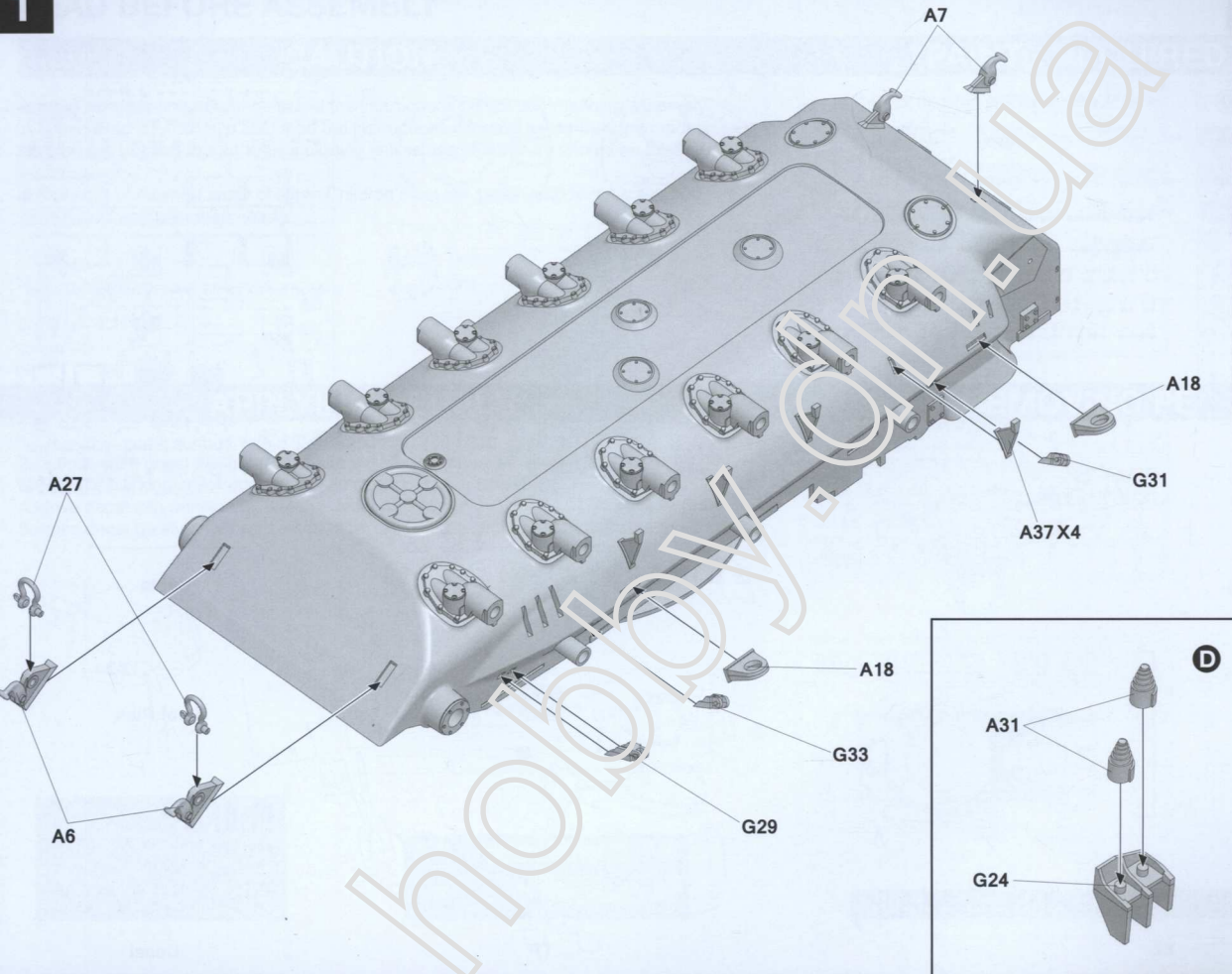


TP

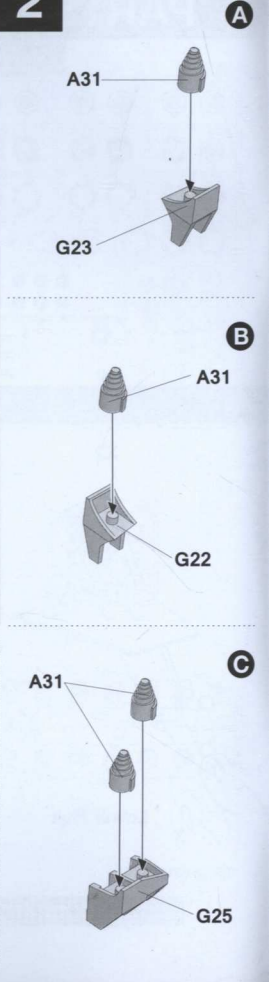


Decal

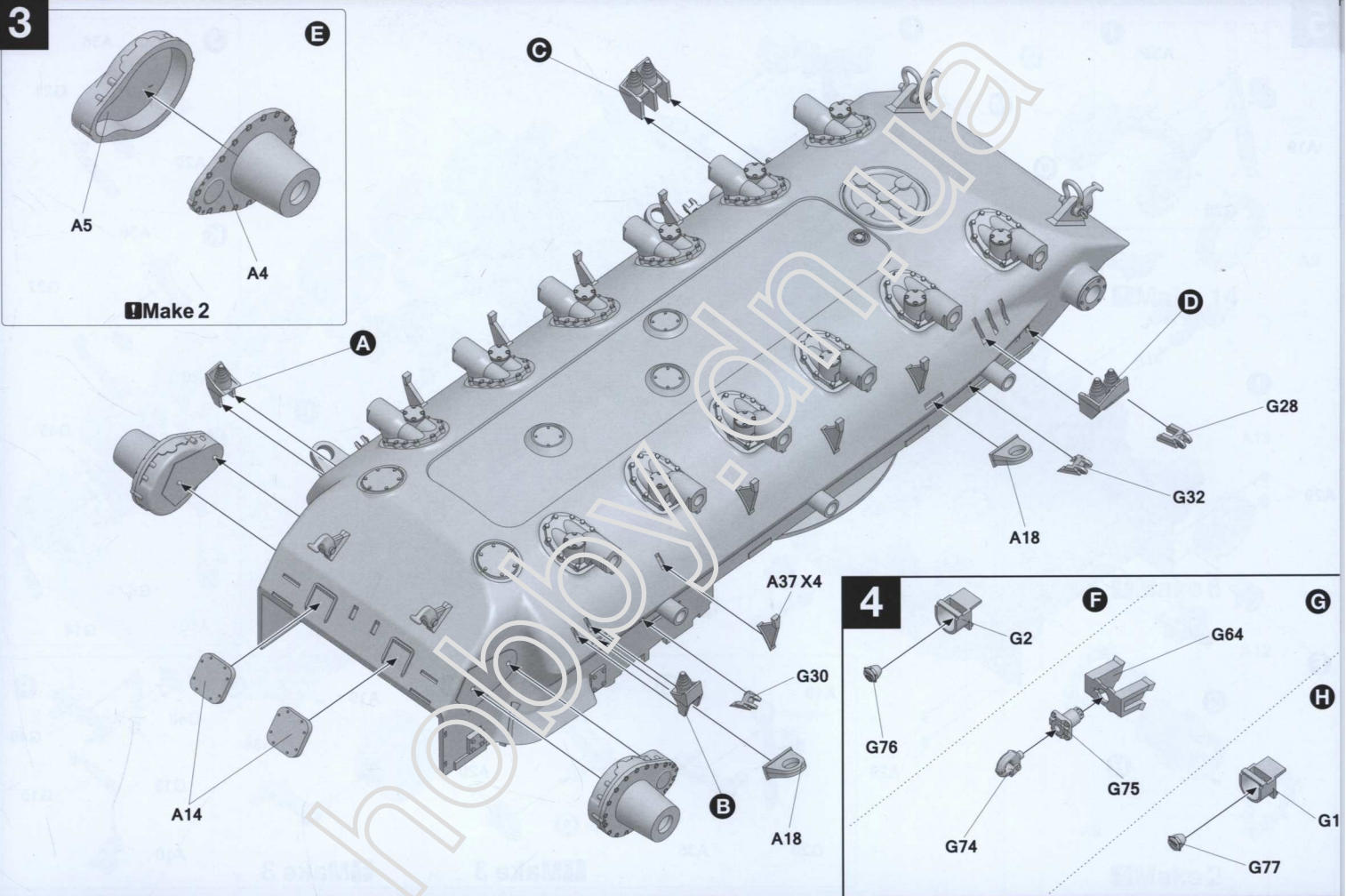
1 READ BEFORE ASSEMBLY



2

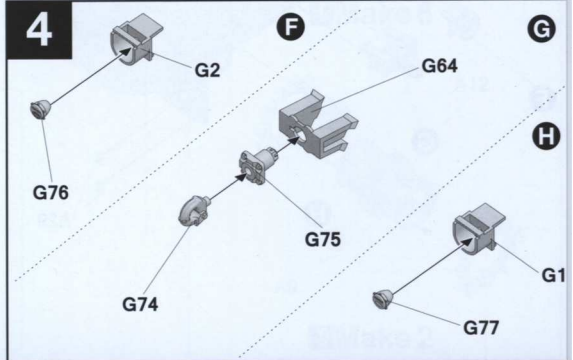


3

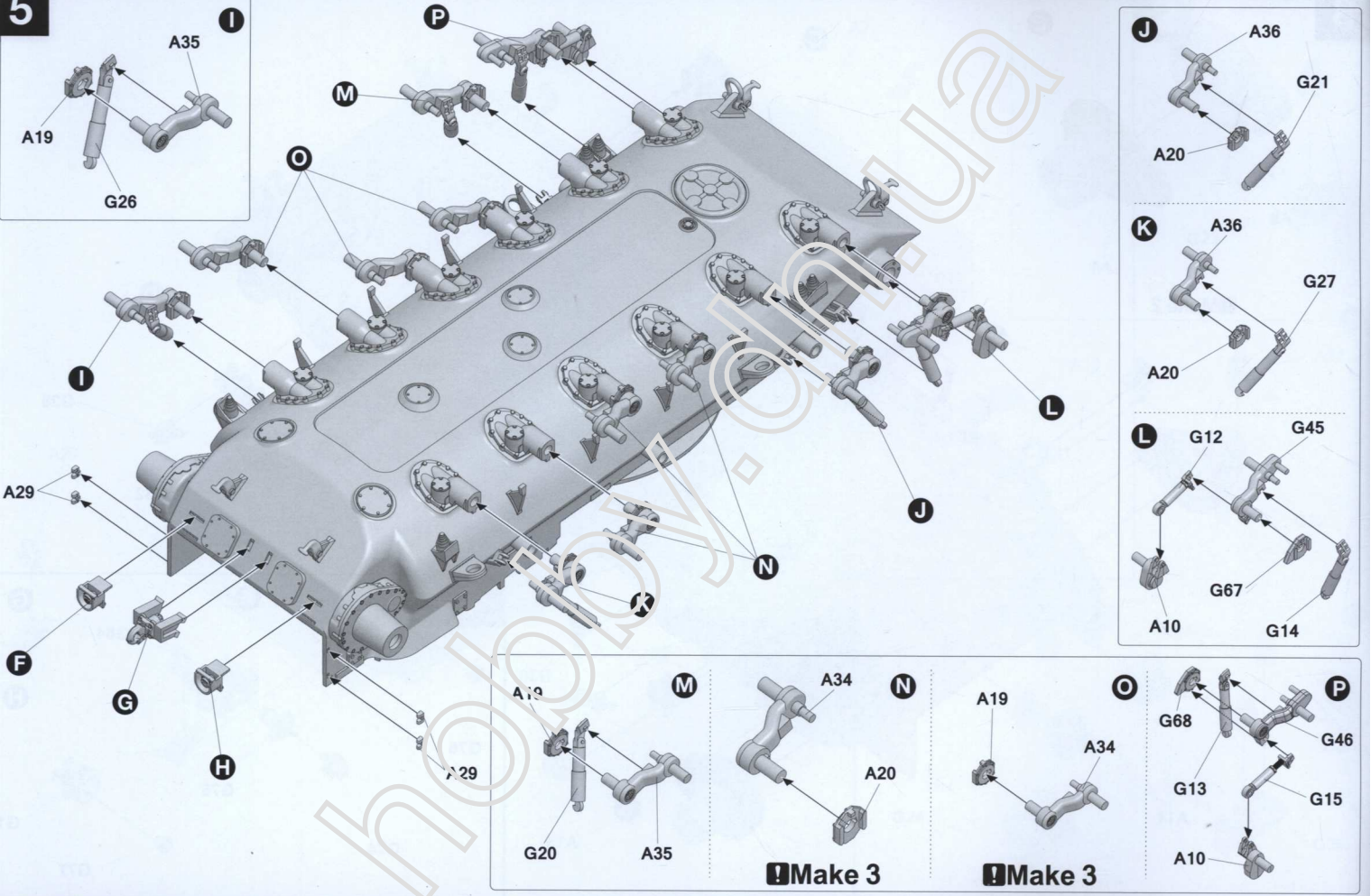


Make 2

4

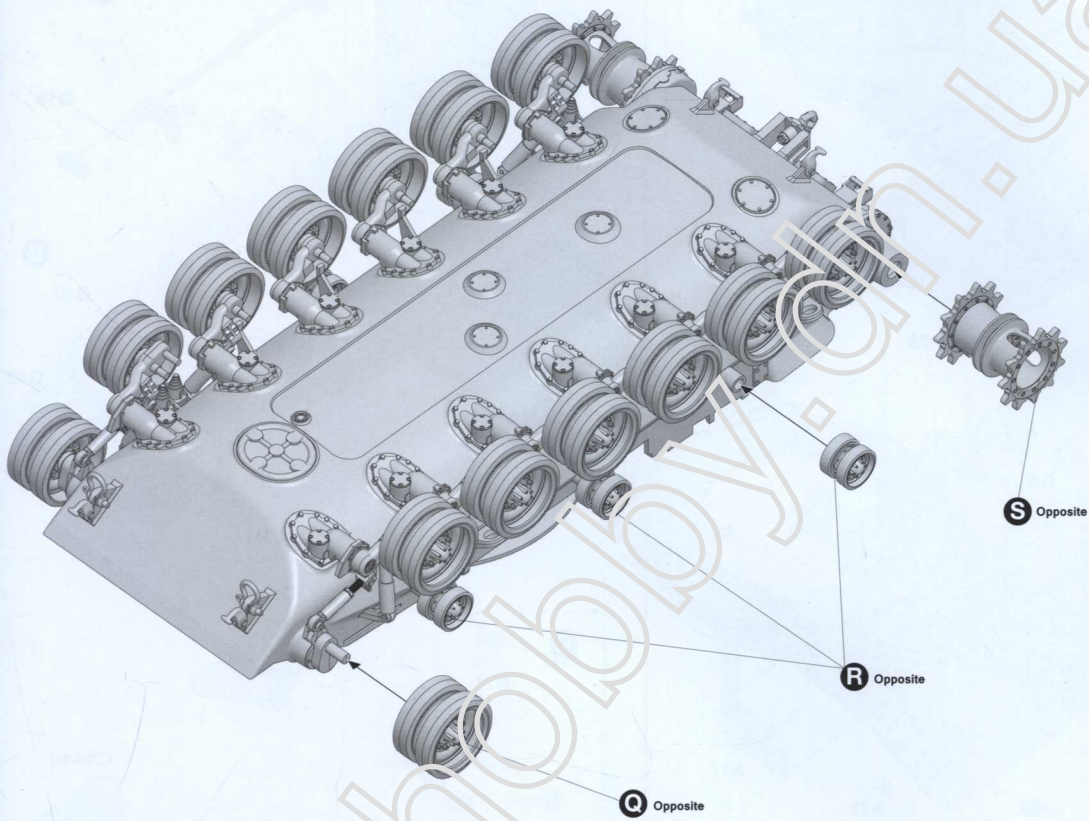


5



5

6



Q

A2

A1

A3

Make 14

R

A16

A13

Make 6

S

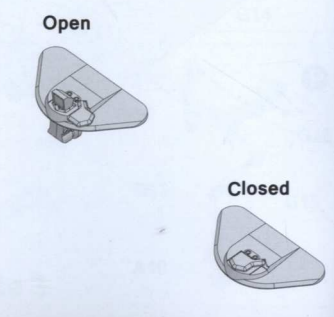
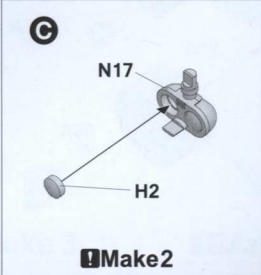
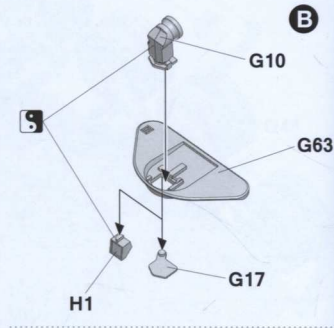
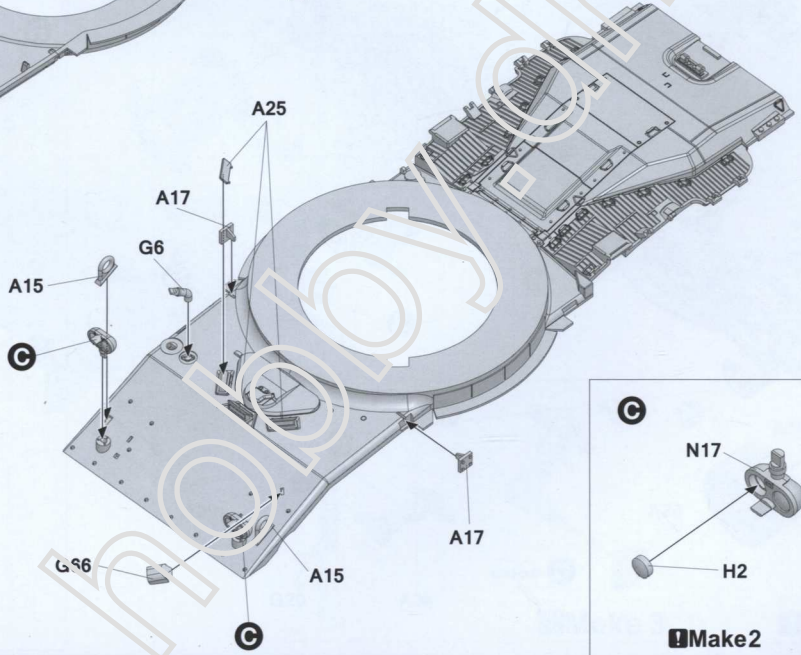
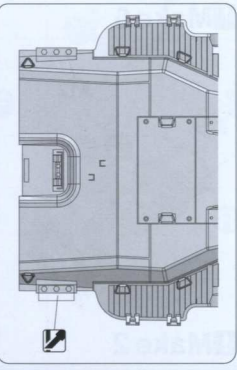
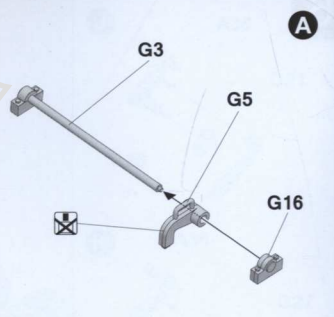
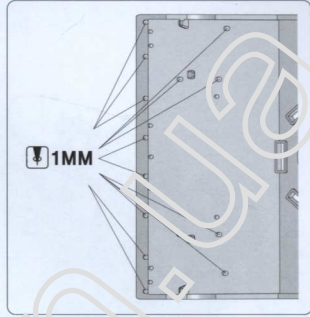
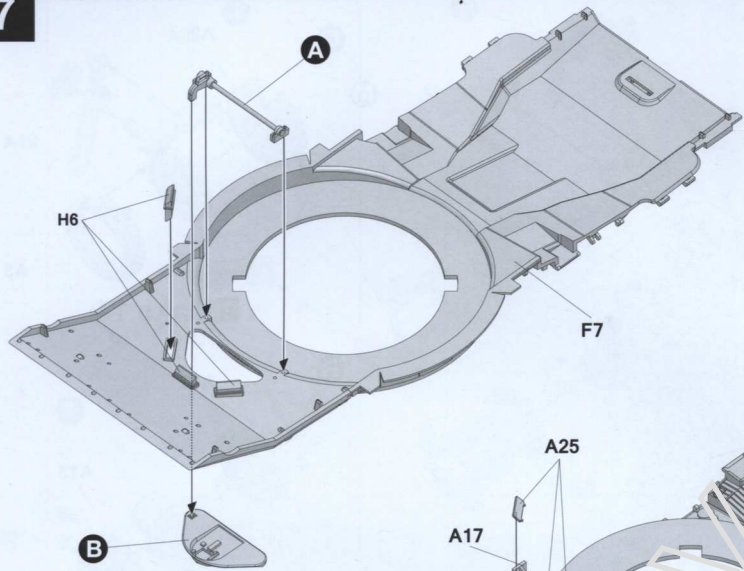
A12

A9

Make 2

This section contains three sub-diagrams, each showing a different gear and bearing assembly. The first sub-diagram (Q) shows three parts: a gear (A2), a bearing (A1), and a ring (A3). The second sub-diagram (R) shows two parts: a gear (A16) and a bearing (A13). The third sub-diagram (S) shows two parts: a gear (A12) and a bearing (A9). Each sub-diagram includes a 'Make' count indicating the quantity of that assembly.

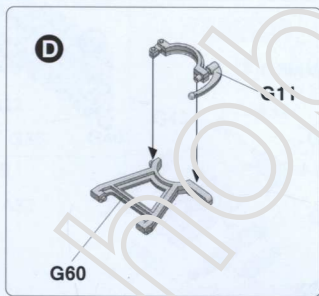
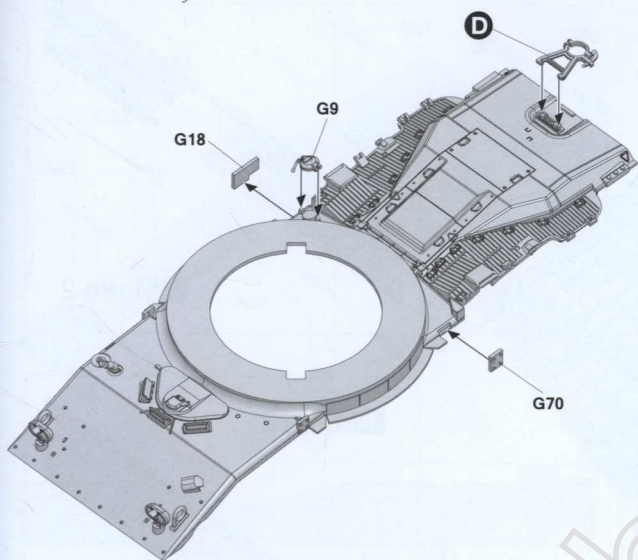
7



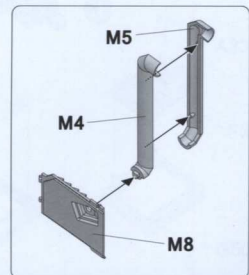
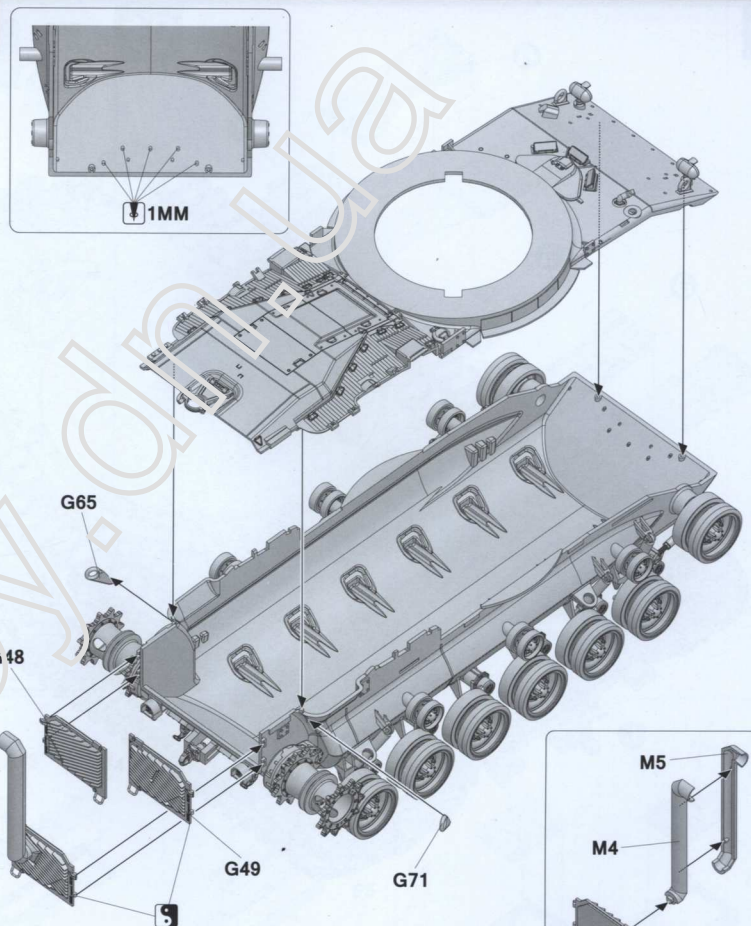
Make2

7

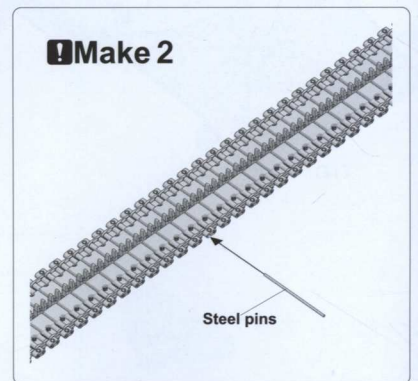
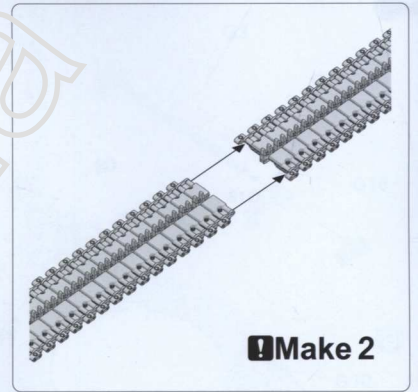
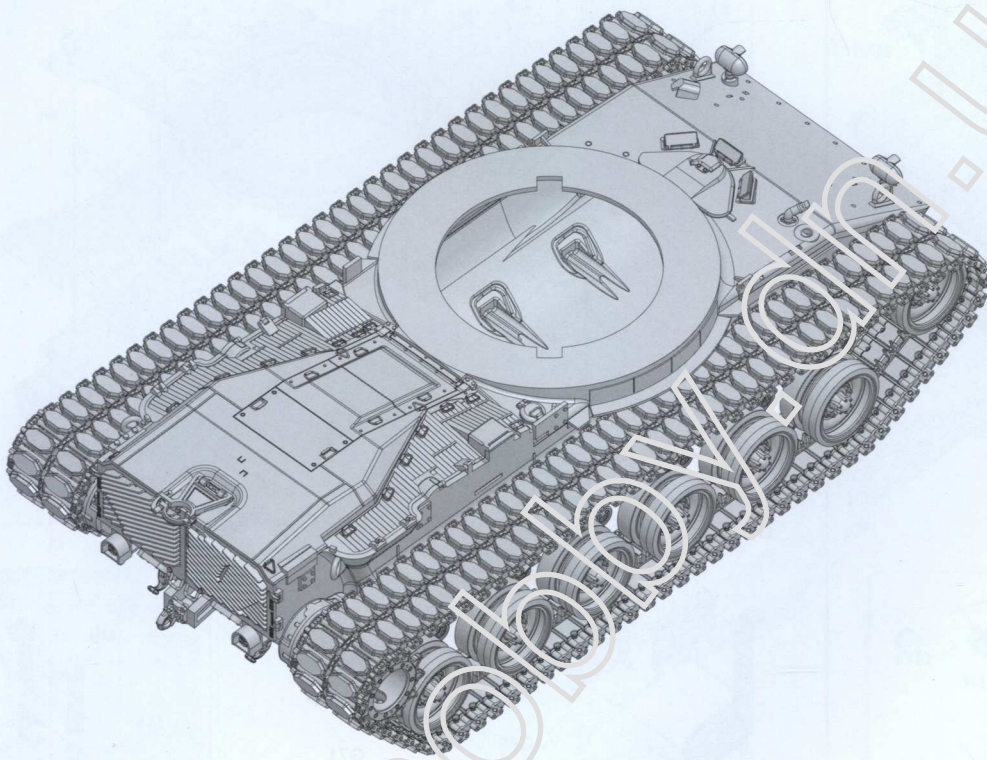
8



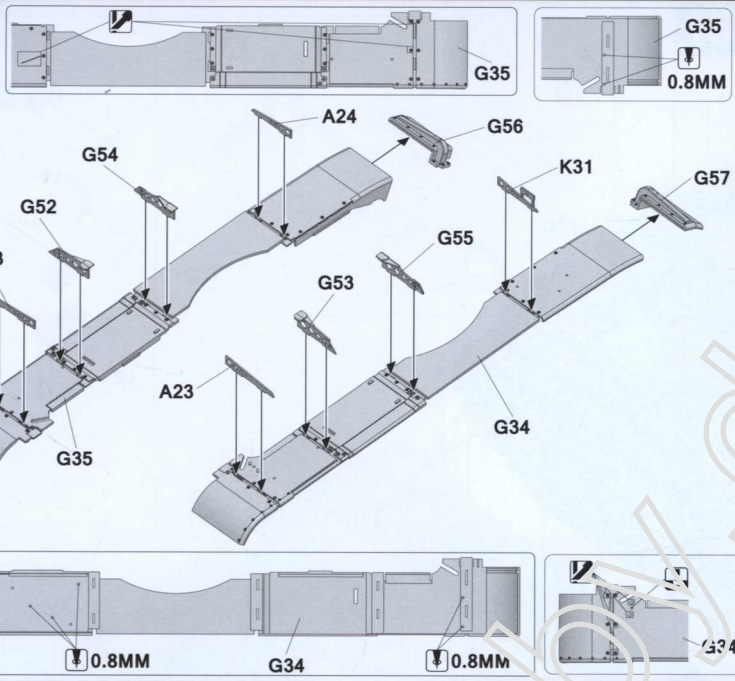
9



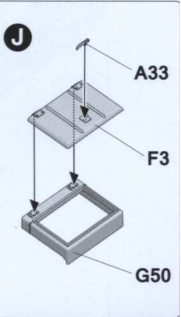
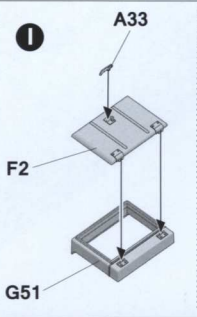
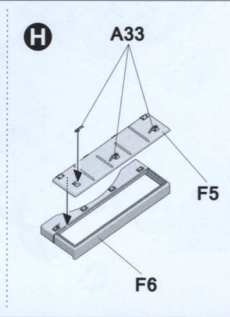
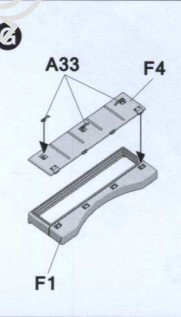
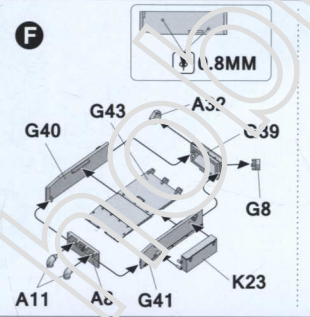
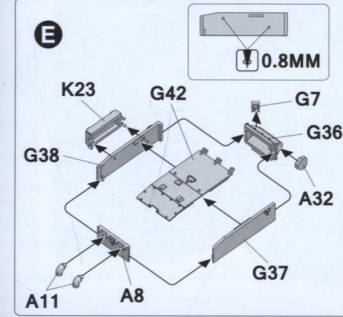
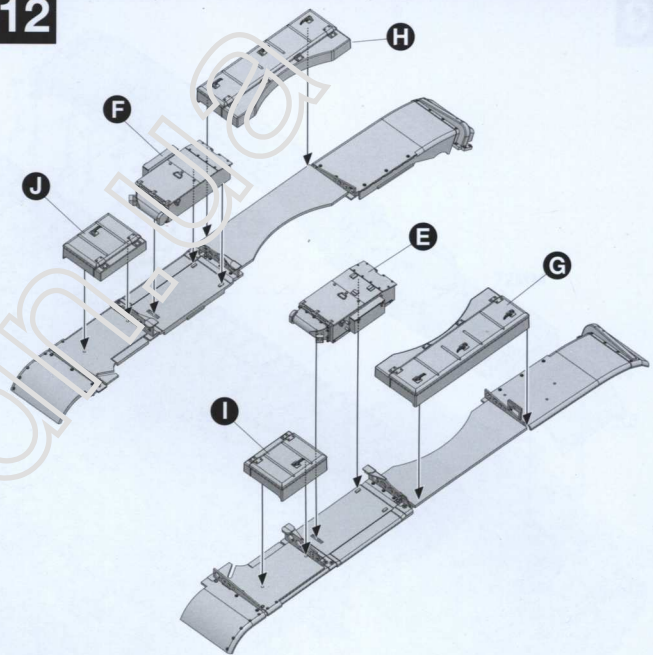
8



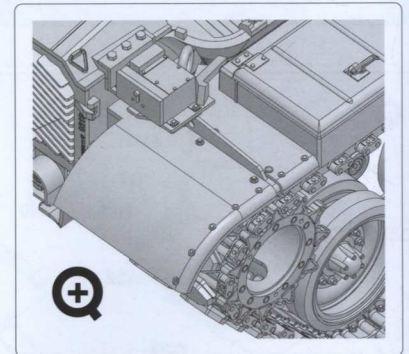
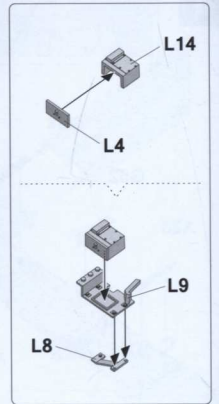
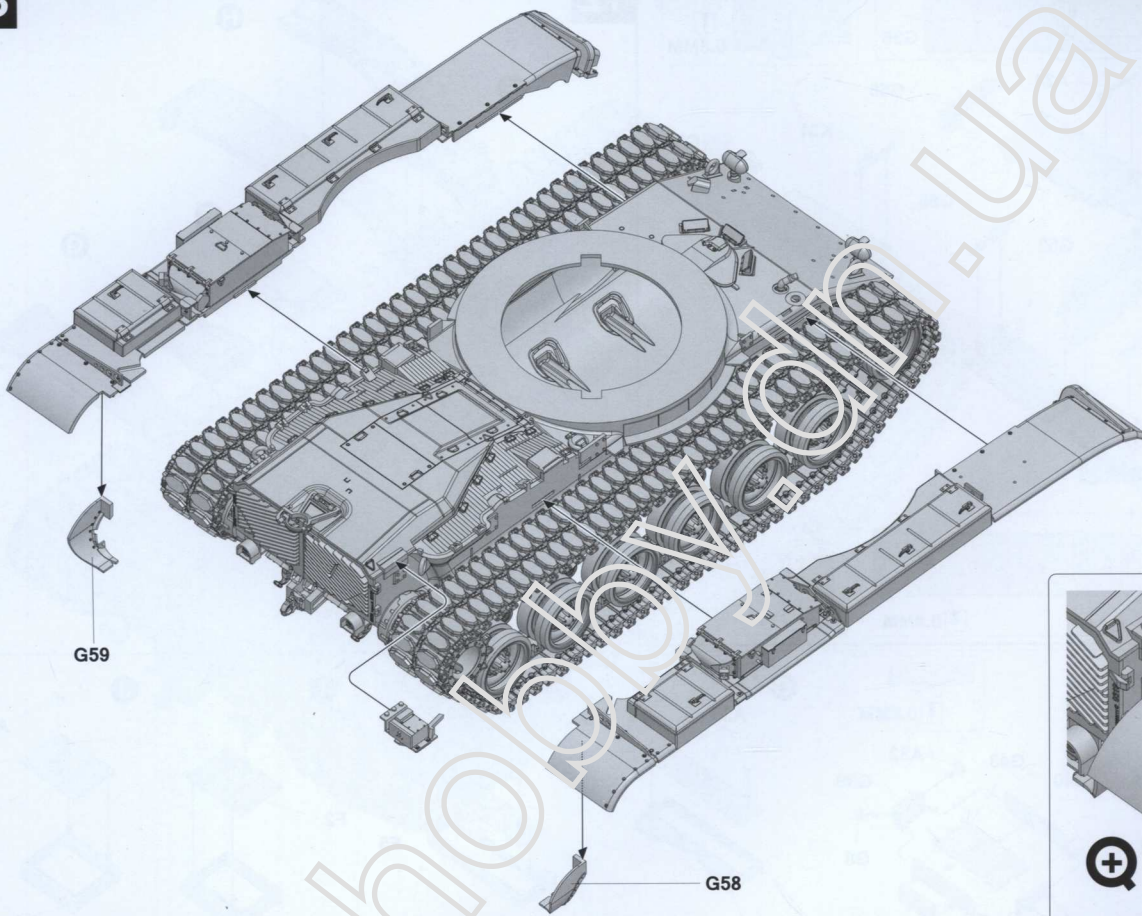
11



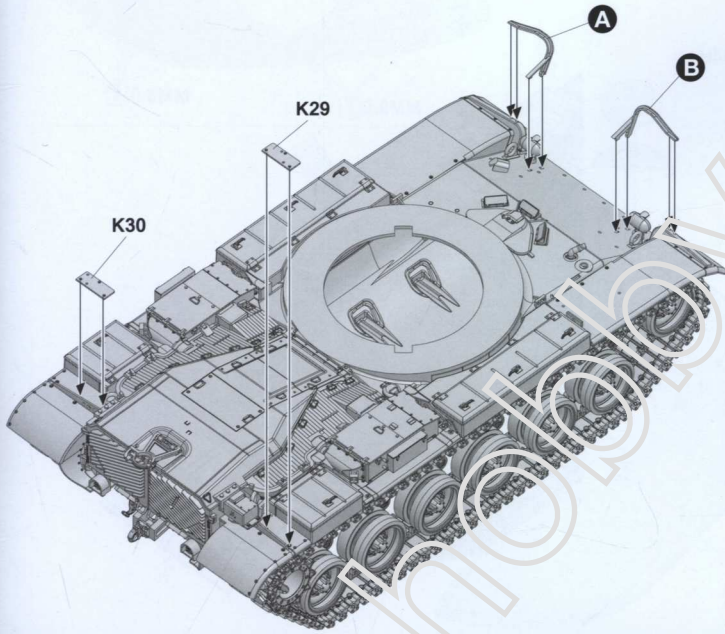
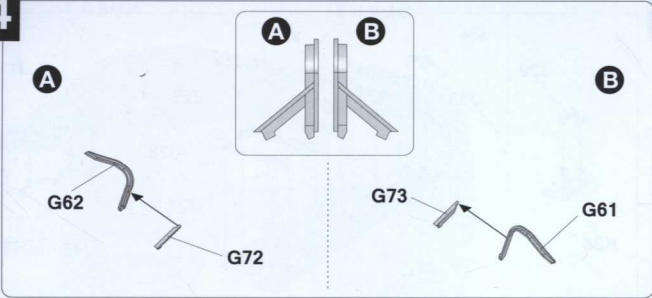
12



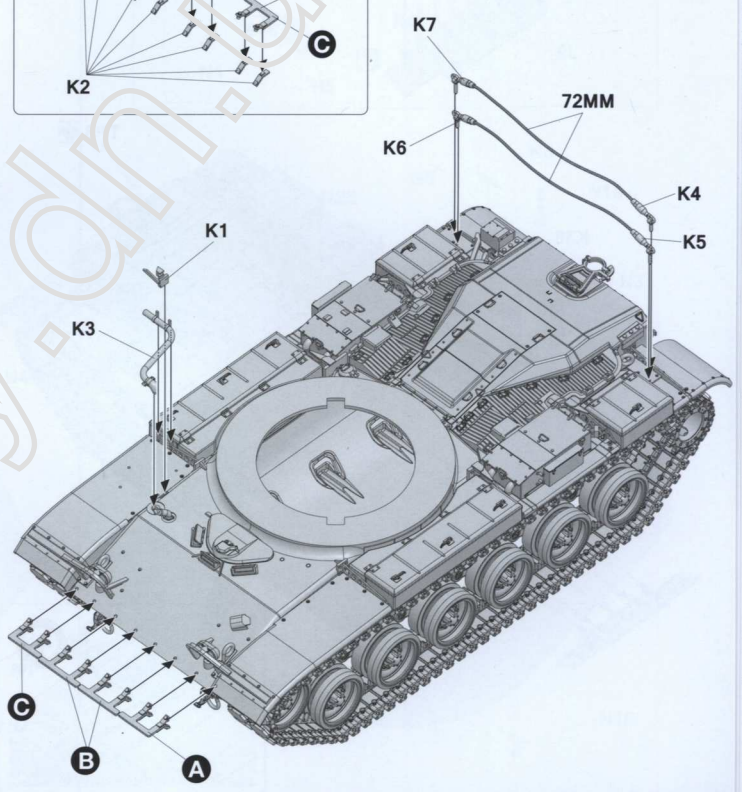
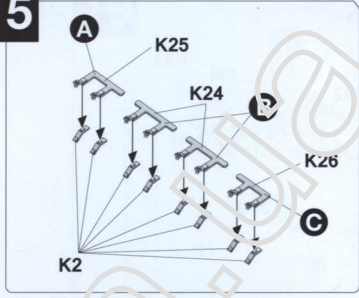
13



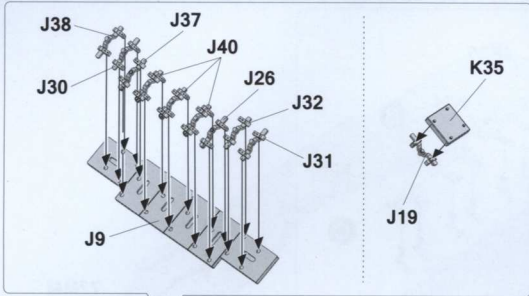
14



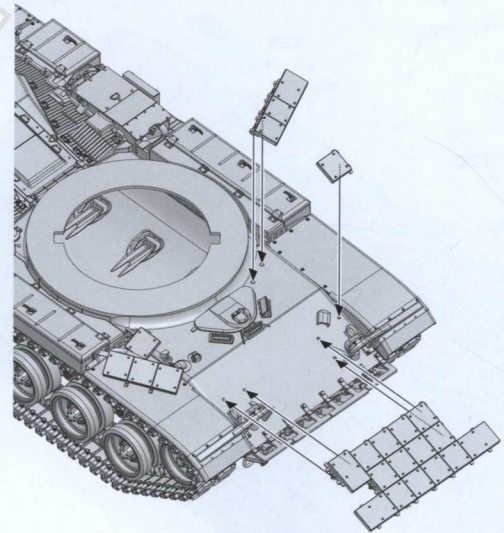
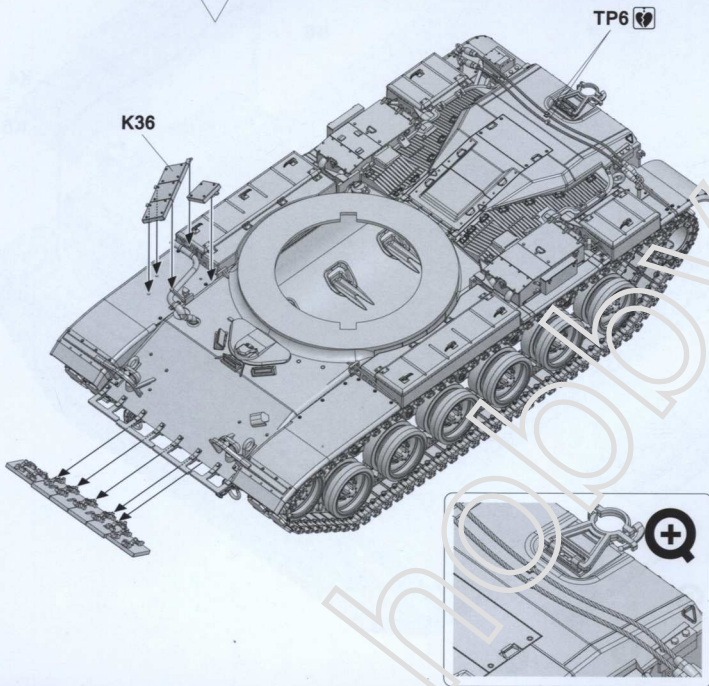
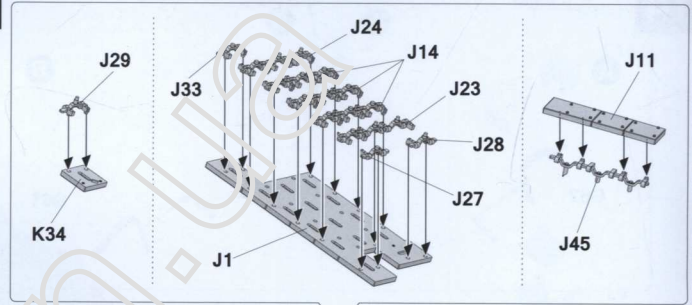
15



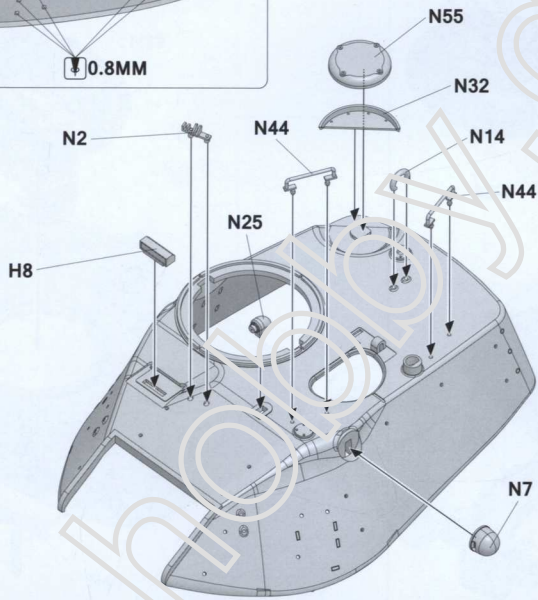
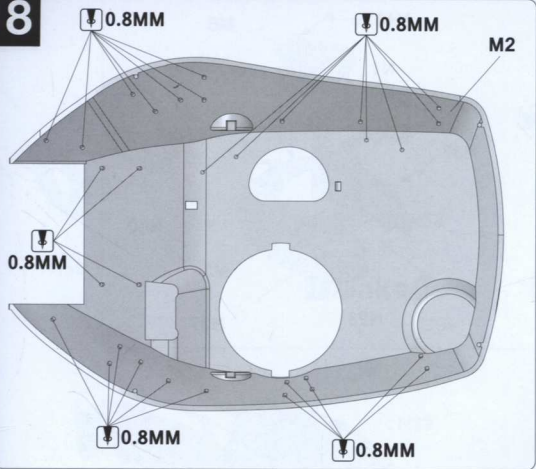
16



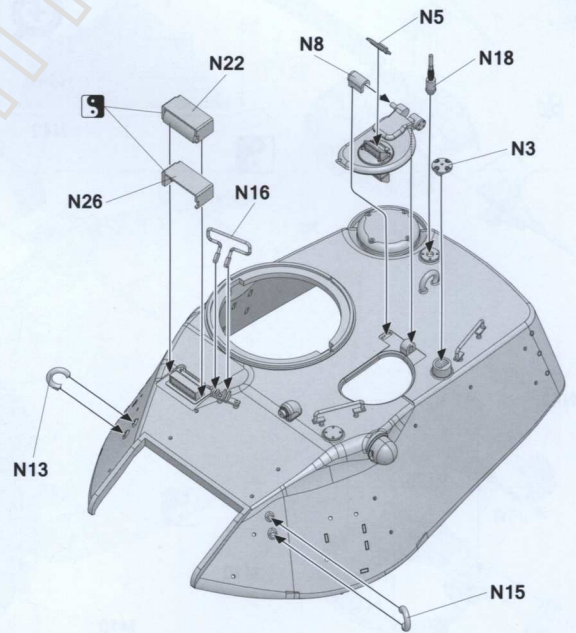
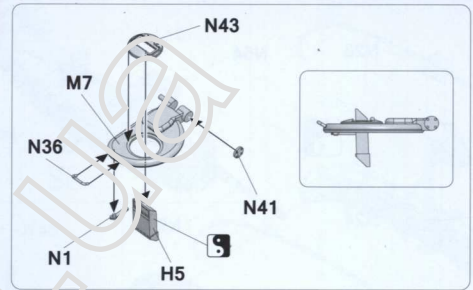
17

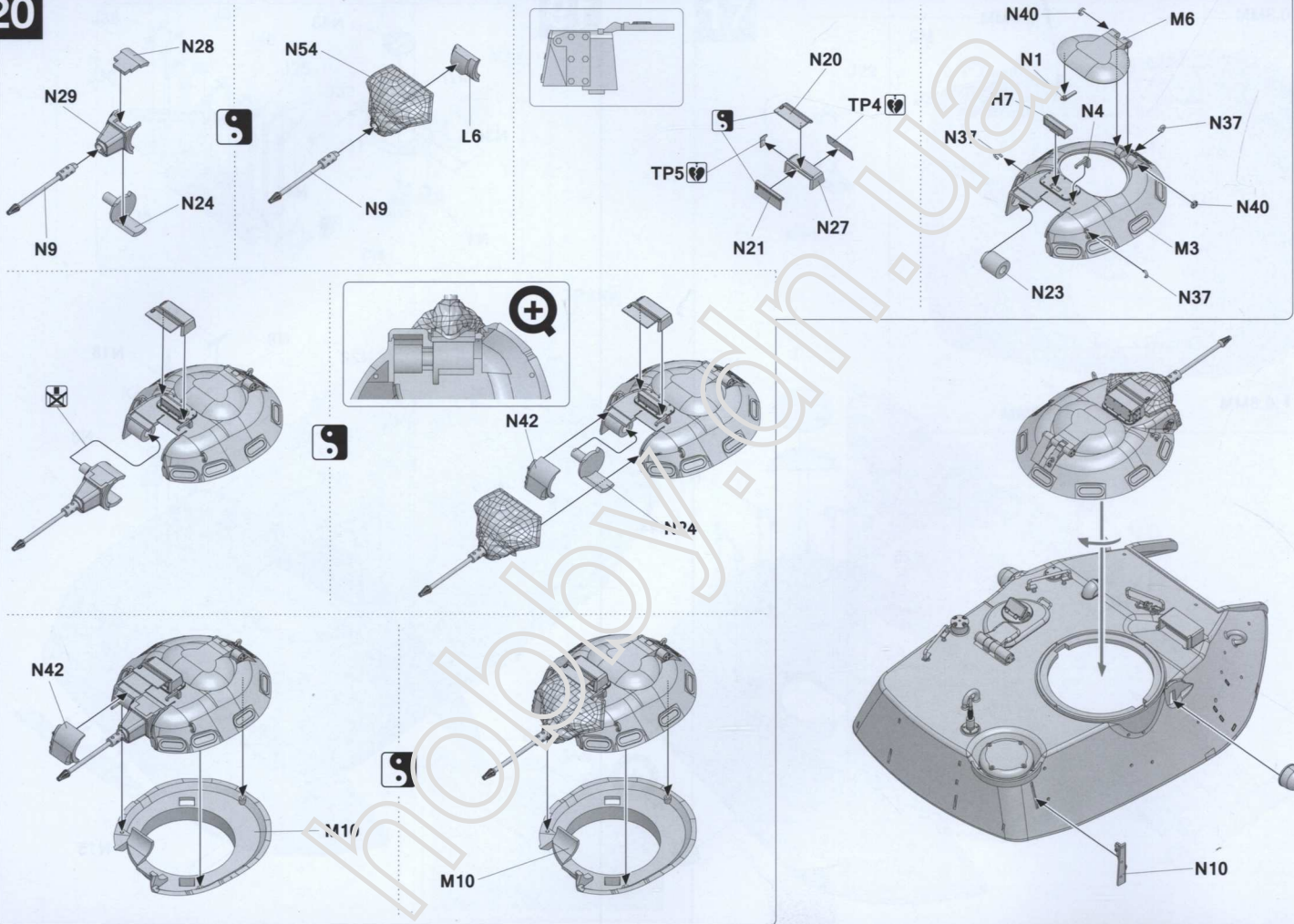


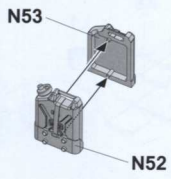
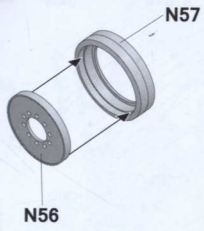
18



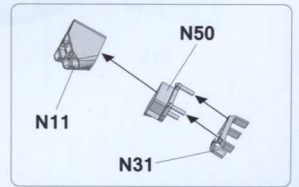
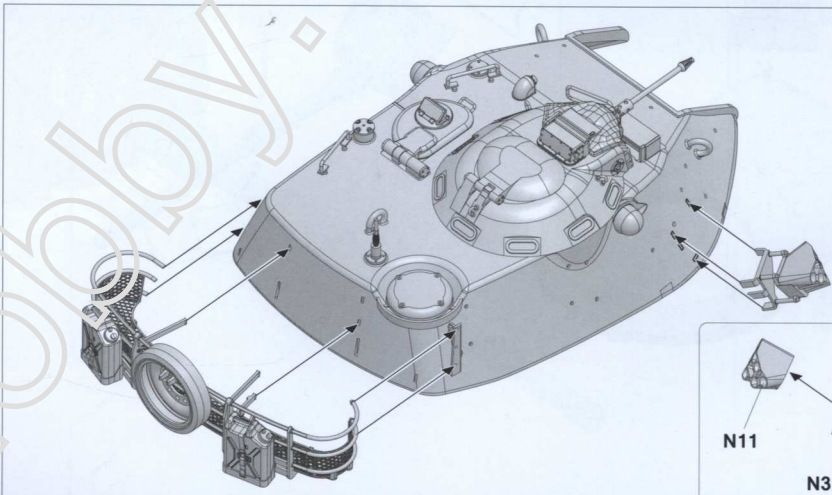
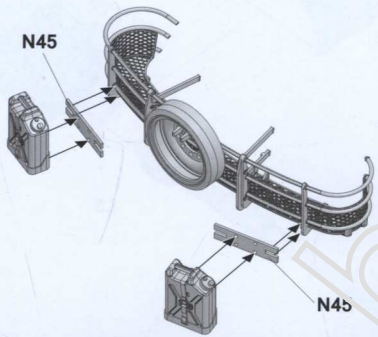
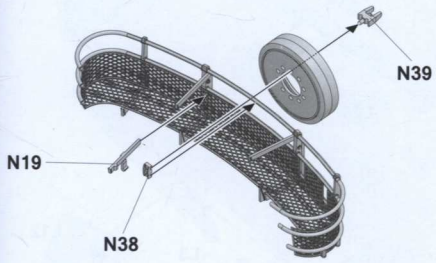
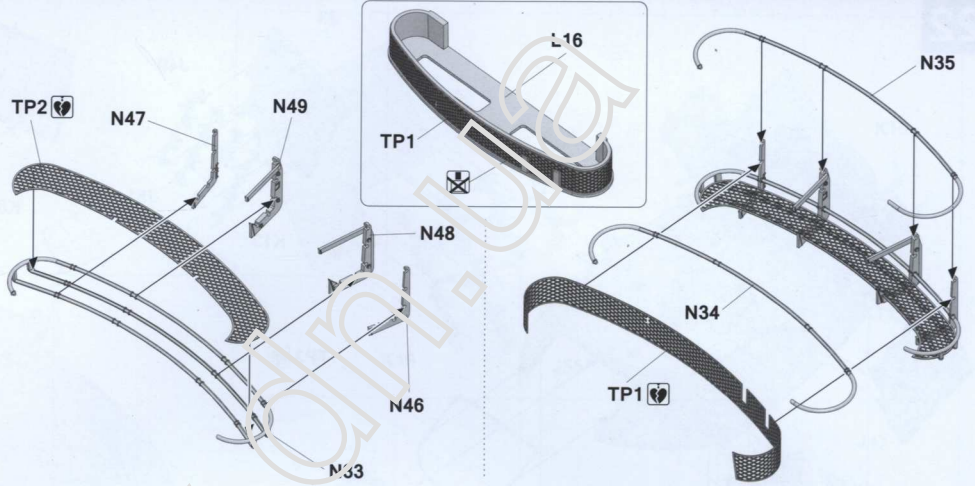
19

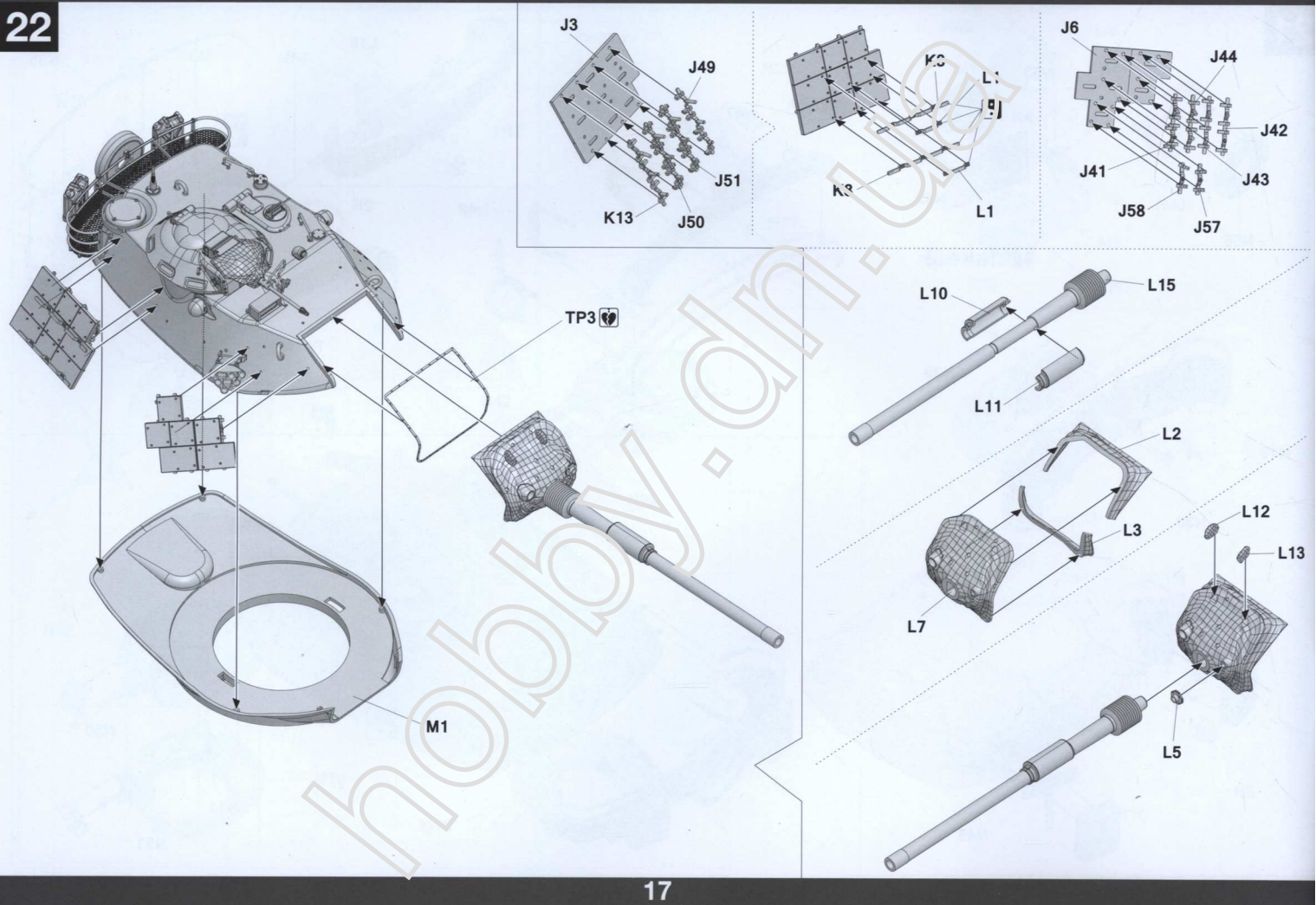


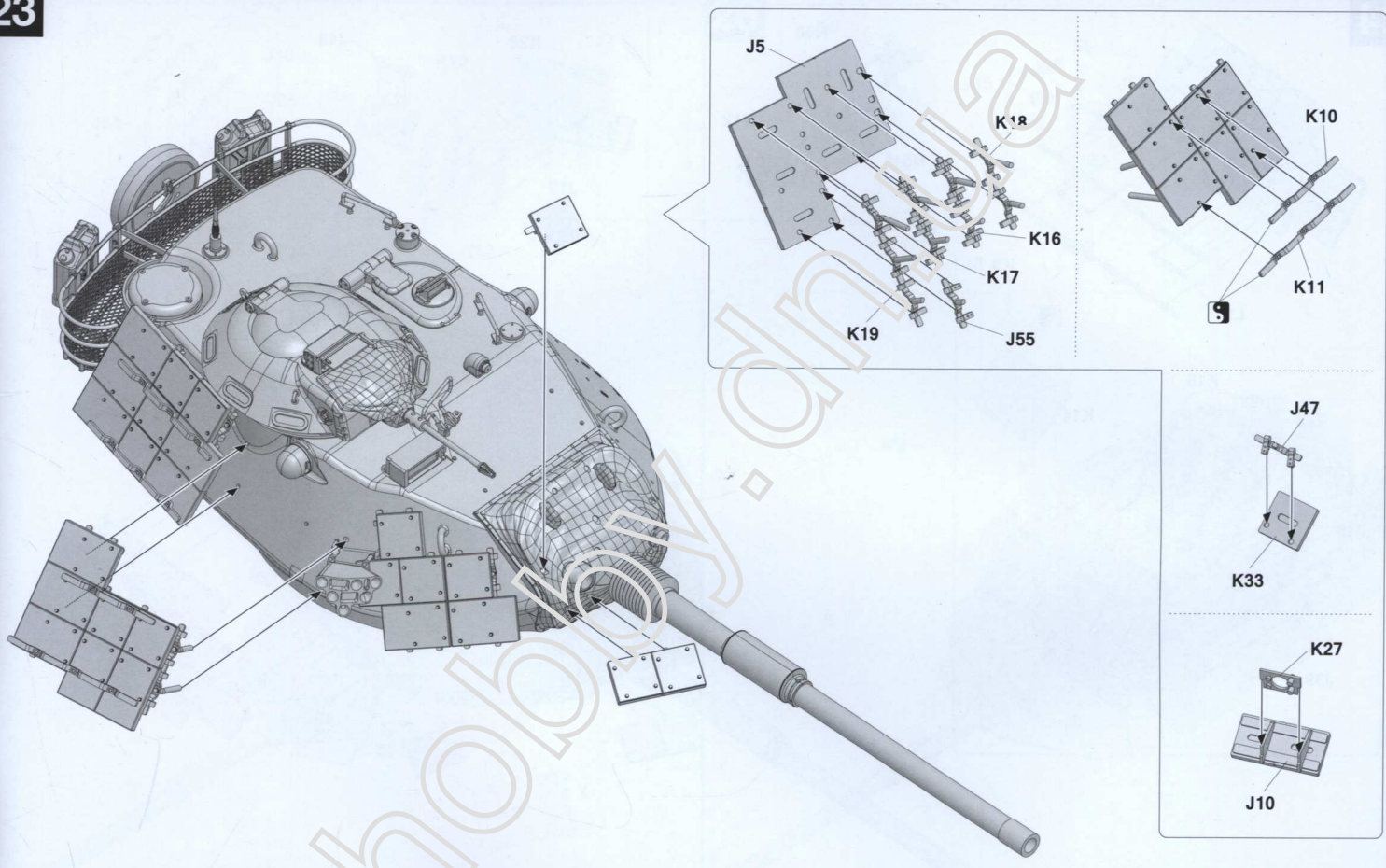


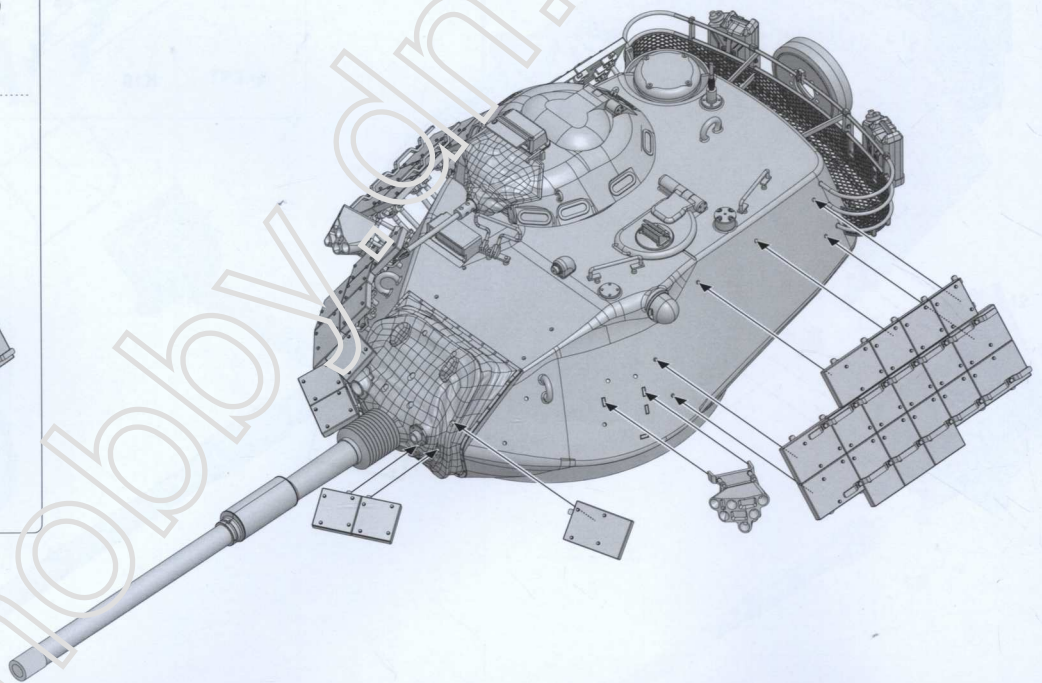
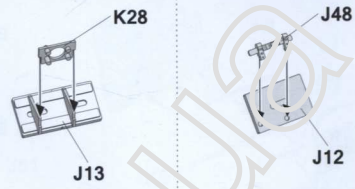
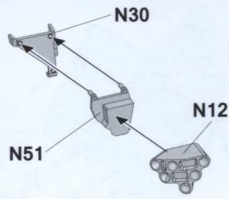
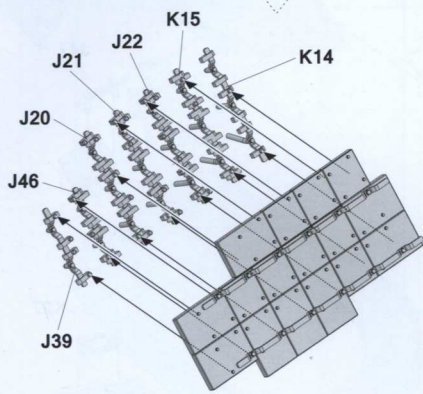
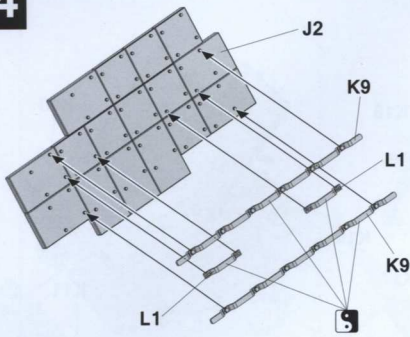


Make 2

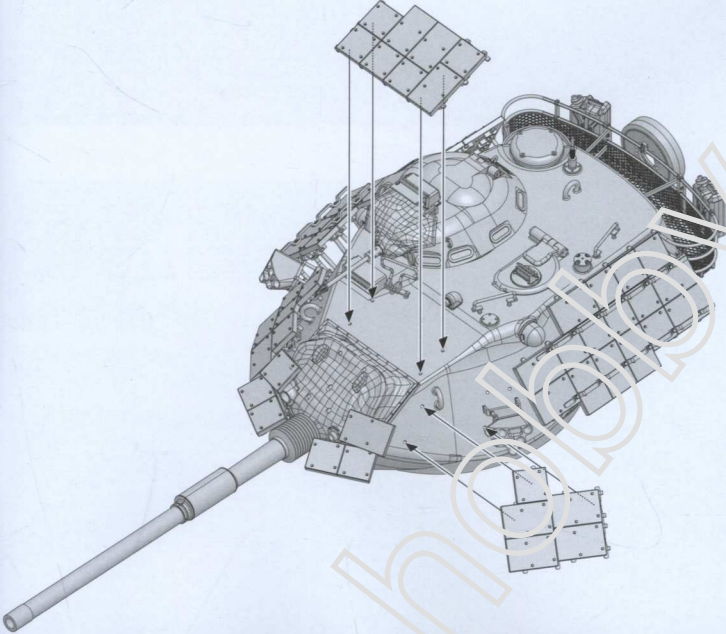
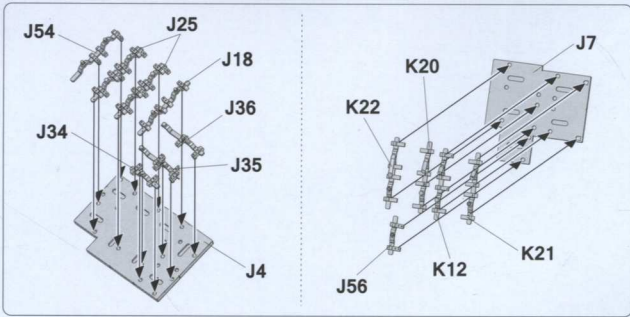




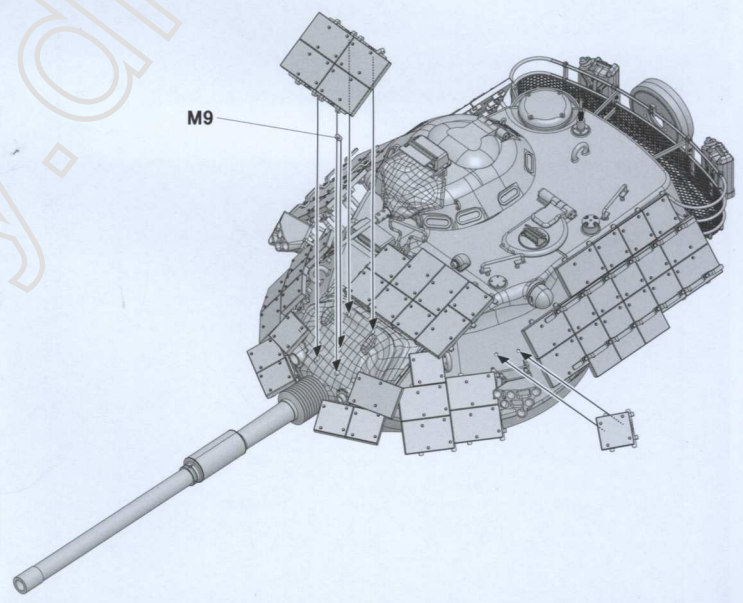
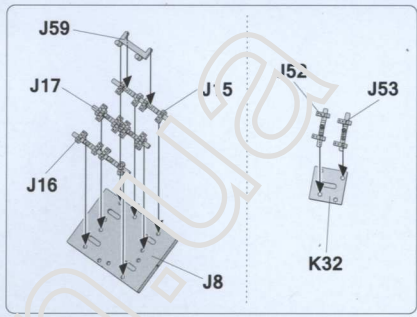


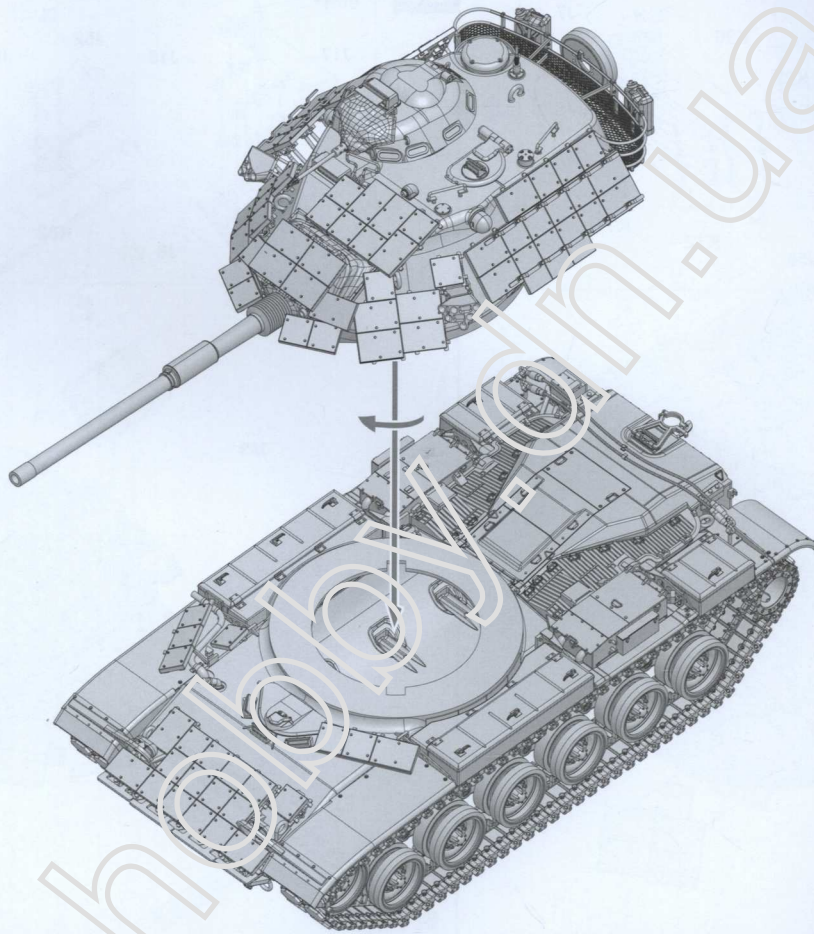


25



26





03.03.2113



USMC M60 A1

www.migjimez.com



Painting and Marking Guide

TAKOM Ref: 2113

1/35 U.S. Marine main battle tank

3rd Platoon, Alpha Company, 8th Tank Battalion
USMC, Operation Desert Storm 1991

A.MIG 033	Rubber & Tire	A.MIG 035	Dark Tracks	A.MIG 045	Gun Metal	A.MIG 071	Khaki
A.MIG 094	Crystal Glass	A.MIG 095	Crystal Smoke	A.MIG 099	Crystal Black Blue	A.MIG 195	Silver
A.MIG 035	U.S. Modern Vehicles	A.MIG 046	Matt Black				



WEATHERING STEPS WITH AMMO PRODUCTS

- | | | | |
|--|--|--|---|
| 1 GENERAL WASH
A.MIG-1007 U.S. Modern Vehicle Wash | 3 STREAKING
A.MIG-1207 Streaking Glue for US Modern Vehicles | 5 DUST
A.MIG-3018 Middle East Dust | 7 HEAVY MUD
A.MIG-1701 Thick Silt |
| 2 FILTER
A.MIG-1503 Oxide for Light Sand | 4 TRACK WASH
A.MIG-1002 Tracks Wash | 6 SPLASHES
A.MIG-1780 Dry Earth | 8 OILS & GREASE
A.MIG-1408 Fresh Engine Oil |

03.03.2113



USMC M60 A1

www.migjimez.com



Painting and Marking Guide

TAKOM Ref: 2113

1/35 U.S. Marine main battle tank

C-14, 1st Platoon, Charlie Company, 3rd Tank
Battalion USMC, Regimental Combat Team-7
Task Force Ripper, Operation Desert Storm 1991

A.MIG 033	Rubber & Tire	A.MIG 035	Dark Tracks	A.MIG 045	Gun Metal	A.MIG 071	Khaki
A.MIG 094	Crystal Glass	A.MIG 095	Crystal Smoke	A.MIG 099	Crystal Black Blue	A.MIG 195	Silver
A.MIG 035	U.S. Modern Vehicles	A.MIG 046	Matt Black	A.MIG 072	Dust	A.MIG 081	US Olive Drab



WEATHERING STEPS WITH AMMO PRODUCTS

- | | | | |
|--|--|--|---|
| 1 GENERAL WASH
A.MIG-1007 U.S. Modern Vehicle Wash | 3 STREAKING
A.MIG-1207 Streaking Glue for US Modern Vehicles | 5 DUST
A.MIG-3018 Middle East Dust | 7 HEAVY MUD
A.MIG-1701 Thick Silt |
| 2 FILTER
A.MIG-1503 Oxide for Light Sand | 4 TRACK WASH
A.MIG-1002 Tracks Wash | 6 SPLASHES
A.MIG-1780 Dry Earth | 8 OILS & GREASE
A.MIG-1408 Fresh Engine Oil |

03.03.2113



USMC M60 A1

www.migjimez.com



Painting and Marking Guide

TAKOM Ref: 2113

1/35 U.S Marine main battle tank

C-51, HQ Platoon, Charlie Company, 3rd Tank Battalion USMC, Regimental Combat Team-7 Task Force Ripper, Operation Desert Storm 1991.

A.MIG 033 Rubber & Tires	A.MIG 035 Dark Tracks	A.MIG 045 Gun Metal	A.MIG 071 Khaki
A.MIG 094 Crystal Glass	A.MIG 095 Crystal Smoke	A.MIG 099 Crystal Black Blue	A.MIG 195 Silver
A.MIG 016 Cellulose	A.MIG 025 U.S Modern Vehicles	A.MIG 046 Matt Black	



WEATHERING STEPS WITH AMMO PRODUCTS

- | | | | |
|---|---|--|--|
| 1 GENERAL WASH
A.MIG-1007 U.S Modern Vehicle Wash | 3 STREAMING
A.MIG-1207 Streaming Glue for US Modern Vehicle | 5 DIRT
A.MIG-2018 Middle East Dust | 7 HEAVY GREASE
A.MIG-1701 Thick Grease |
| 2 FILTER
A.MIG-1503 Ochre for Light Sand | 4 TRACK WASH
A.MIG-1002 Tracks Wash | 6 SPLASHES
A.MIG-1750 Dry Earth | 8 GREASE & OIL
A.MIG-1408 Fresh Engine Oil |

03.03.2113



USMC M60 A1

www.migjimez.com



Painting and Marking Guide

TAKOM Ref: 2113

1/35 U.S Marine main battle tank

C-12, 1st Platoon, Charlie Company, 3rd Tank Battalion USMC, Regimental Combat Team-7 Task Force Ripper, Operation Desert Storm 1991.

A.MIG 033 Rubber & Tires	A.MIG 035 Dark Tracks	A.MIG 045 Gun Metal	A.MIG 071 Khaki
A.MIG 094 Crystal Glass	A.MIG 095 Crystal Smoke	A.MIG 099 Crystal Black Blue	A.MIG 195 Silver
A.MIG 016 Cellulose	A.MIG 025 U.S Modern Vehicles	A.MIG 046 Matt Black	A.MIG 073 Earth
			A.MIG 055 Oil Ochre



WEATHERING STEPS WITH AMMO PRODUCTS

- | | | | |
|---|---|--|--|
| 1 GENERAL WASH
A.MIG-1007 Africa Korps Wash | 3 STREAMING
A.MIG-1207 Streaming Glue for US Modern Vehicle | 5 DIRT
A.MIG-2018 Middle East Dust | 7 HEAVY GREASE
A.MIG-1701 Thick Grease |
| 2 FILTER
A.MIG-1510 TAN for 3 Tone Camo | 4 TRACK WASH
A.MIG-1002 Tracks Wash | 6 SPLASHES
A.MIG-1750 Dry Earth | 8 GREASE & OIL
A.MIG-1408 Fresh Engine Oil |