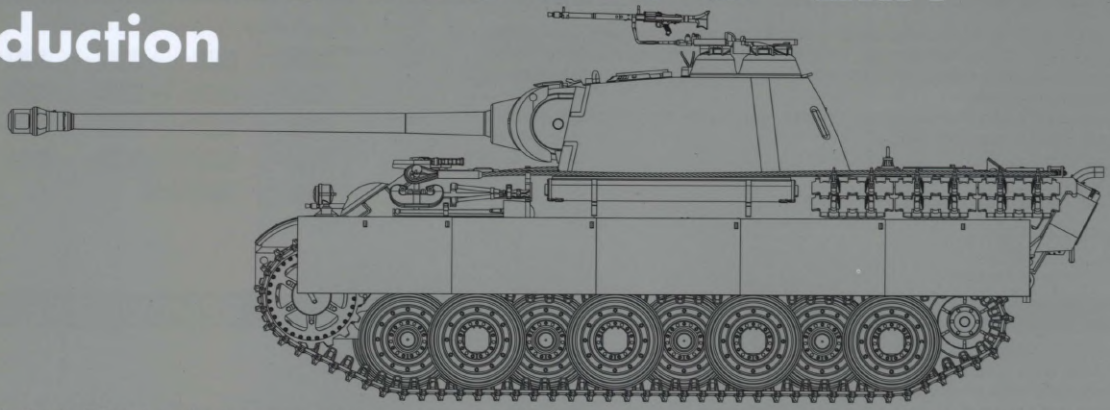


PANTHER Ausf.G w/Steel Wheels 2in1

Mid Production



When the German Panzer IV met the Russian T-34 in June 1941, they were humiliated by being outclassed by the T-34, so a group of weapons specialists were sent to the Russian front to analyze the T-34's design. With these results, Daimler-Benz (DB) and Maschinenfabrik Augsburg (MAN) were both tasked with providing designs for a 30-ton medium tank by April 1942. The MAN design was accepted in May 1942, mainly because it was able to use an existing turret designed by Rheinmetall-Borsig, saving valuable time needed to design a new turret required with the DB design.

The Panther design adapted many of its successful design characteristics from the T-34. These were mainly the sloped armor, and the wide tracks (to make maneuvering in snow conditions of the Eastern front easier). In September 1942 the first prototype was tested and immediately pressed into service. Despite delays in production due to the lack of manufacturing equipment of the hull, the first rushed deliveries to the German Army were completed in December, but the tank was plagued by technical problems. Despite these early issues, the tank was very successful, and due to its high demand on the Eastern Front, the original production of 250 tanks per month at the MAN plant, was increased to 600 tanks per month in January in 1943, which resulted in production also being allocated to the Daimler-Benz, Maschinenfabrik Niedersachsen-Hannover (MNH), and the Henschel & Sonnerup plants to meet production quotas. Due to Allied bombing throughout the war, the required production amount was never met and only 6,000 in total were built.

The 700hp Maybach V-12 petrol engine with its seven-speed AK 7-200 synchromesh gearbox designed by ZF, was fitted with a governor in late 1943 to minimize engine failures by limiting the engine revolutions to 2500 rpm and reducing its power to 600 hp. This reduced the Panthers top speed from 55 km/h to 46 km/h. The Panther had a five-man crew: the driver, radio operator, gunner, loader, and commander.

The Panther was armed with a semi-automatic 75mm Rheinmetall-Borsig KwK 42 main gun, and could carry 79 rounds of three different types of ammunition: Armour-Piercing Capped Ballistic Capped, (APCBC), High-Explosive (HE) and Armour-Piercing Composite Rigid (APCR). The 75mm cannon on the Panther was one of the most powerful cannons of WWII, and had even greater success at piercing enemy armour than the Tiger I's 88mm cannon. The Panther was also equipped with two 7.92mm Maschinengewehr 34 (MG-34) for close quarter fighting; one was mounted coaxially with the main cannon and the second was mounted in the front sloping armour and operated by the radio operator. In later production upgrades, a mount was attached to the commander's cupola so a third MG-34 could be mounted for anti-aircraft purposes.

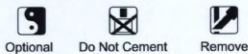
The frontal armor of the Panther consisted of 80mm homogeneous steel plate sloped back at 55 degrees from the vertical, it was thick & welded for strength. This made the Panther's frontal armor less penetrable to Allied and Soviet tanks. The front of the turret was covered by a 100mm cast turret in the shape of a semi-circle, with a curved shape meant to deflect incoming shells. To keep weight down, sacrifice was made to its side armor, which was on average 40mm to 50mm thick, leaving the Panther vulnerable to attacks from the sides by Allied and Soviet tank and anti-tank guns.

03.02.2120

READ BEFORE ASSEMBLY

CAUTION

- Read carefully and fully understand the instructions before commencing assembly. A supervising adult should also read the instructions if you could assemble the model.
- When assembling this kit, tools including knives used. Extra care should be taken to avoid personal injury.
- Keep out of reach of small children. Children must not be allowed to suck any part, or pull vinyl bag over their heads.



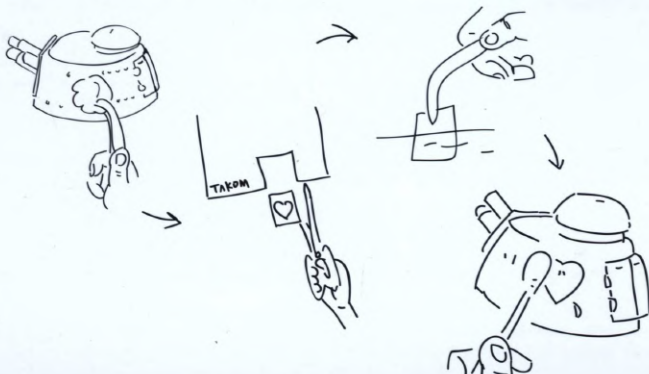
PAINTS REQUIRED

Color info and profiles by Mig Jimenez

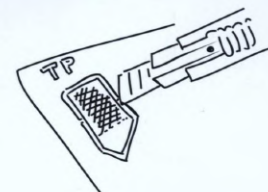
A.MIG-0038 Rubber & Tires	A.MIG-0039 Dark Tracks	A.MIG-0036 Old Wood	A.MIG-0040 Medium Rust
A.MIG-0019 Dunkelgelb Aus 44 DGI	A.MIG-0045 Gun Metal	A.MIG-0050 Crystal Red	A.MIG-0059 Crystal Periscope Green
A.MIG-0022 Olivegreen Opt.2	A.MIG-0010 Dunkelgelb Mid war	A.MIG-0037 New Wood	A.MIG-0015 Schokobrown
A.MIG-0025 Reced green	A.MIG-0014 Rotbrown	A.MIG-0038 Light Wood	A.MIG-0014 Washable White Camo
A.MIG-0076 Medium Brown	A.MIG-0012 Dunkelgelb AUS 44 DGI II		

APPLYING DECALS

1. Clean the model surface with a wet cloth.
2. Cut out each decal design from sheet, and dip it in tepid water for 15-20 sec.
3. Hold the backing sheet edge and slide decal onto the model.
4. Move decal into position by wetting decal with finger.
5. Press decal gently down with a soft cloth until excess water and air bubbles are gone.



REMOVING PE



Be careful not to hurt when removing PE parts.

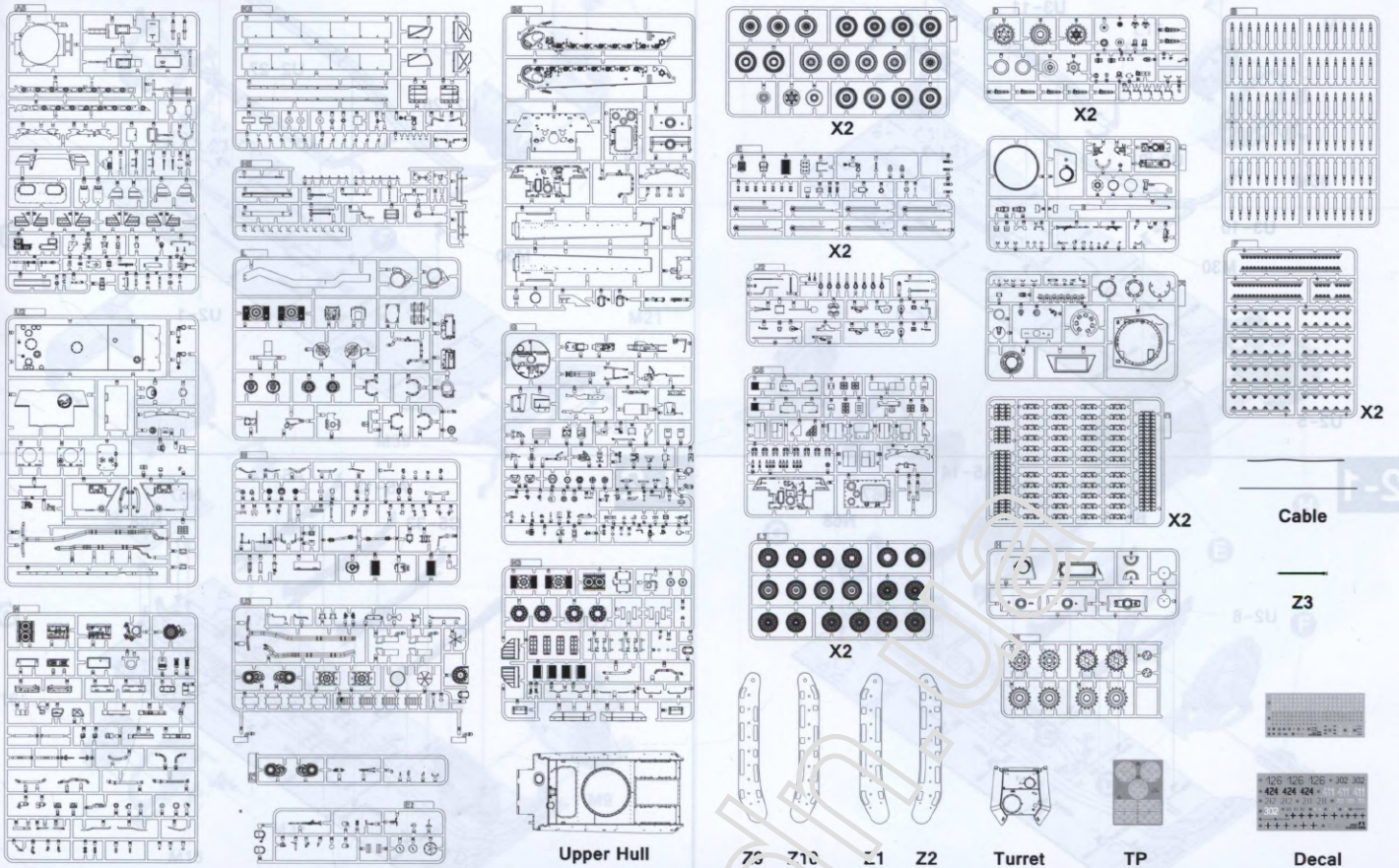


Secure using instant glue (not included).

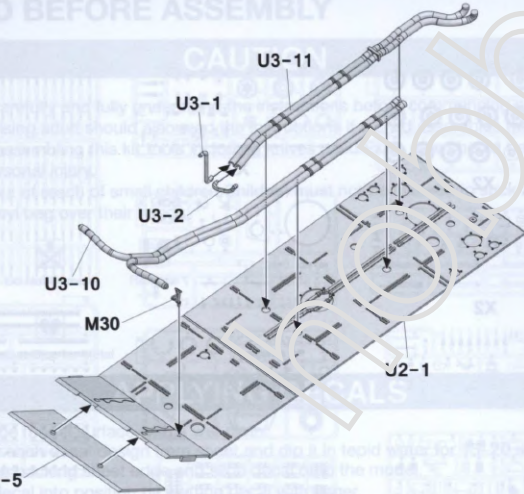


Finish using file.

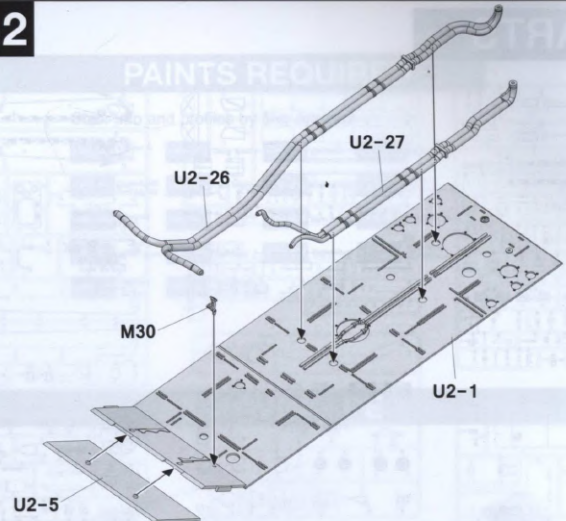
PARTS



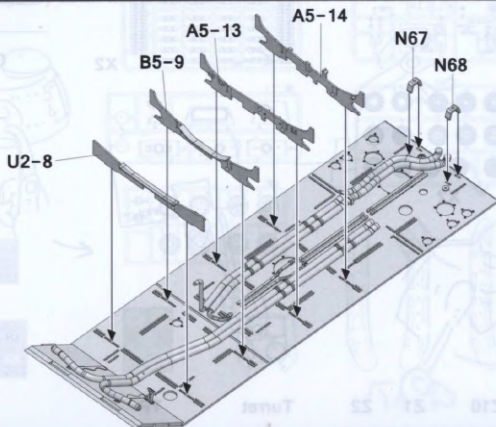
1-1



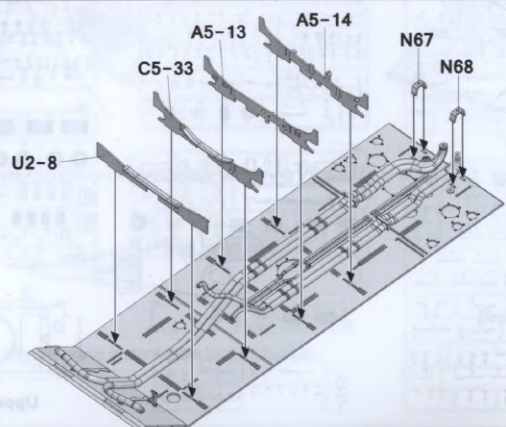
1-2

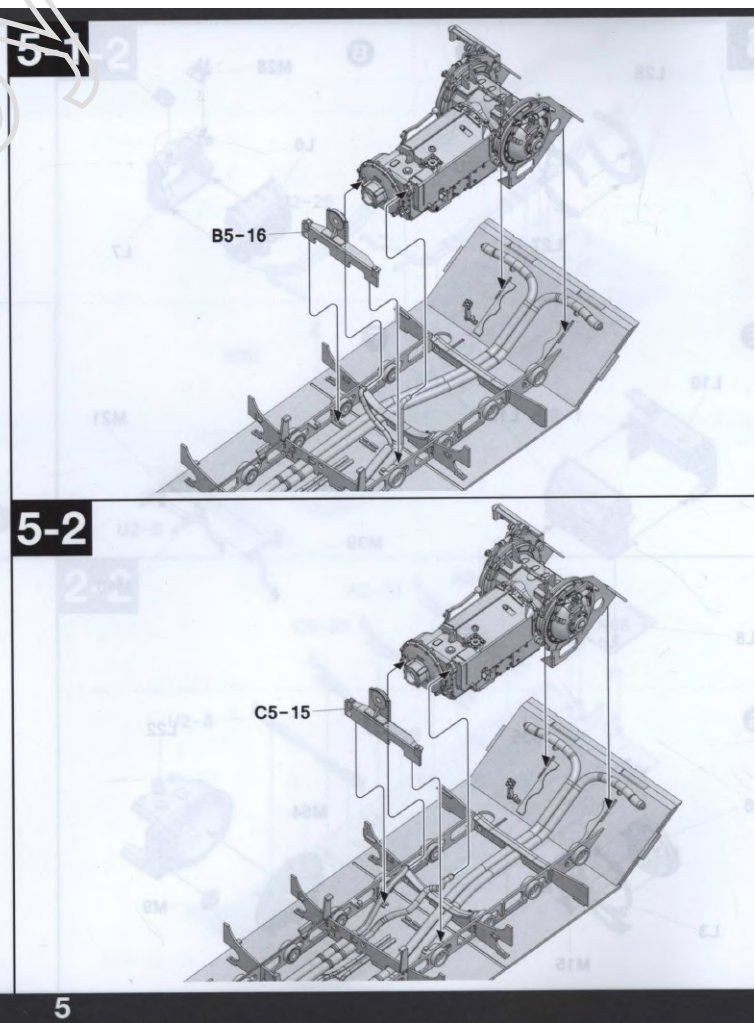
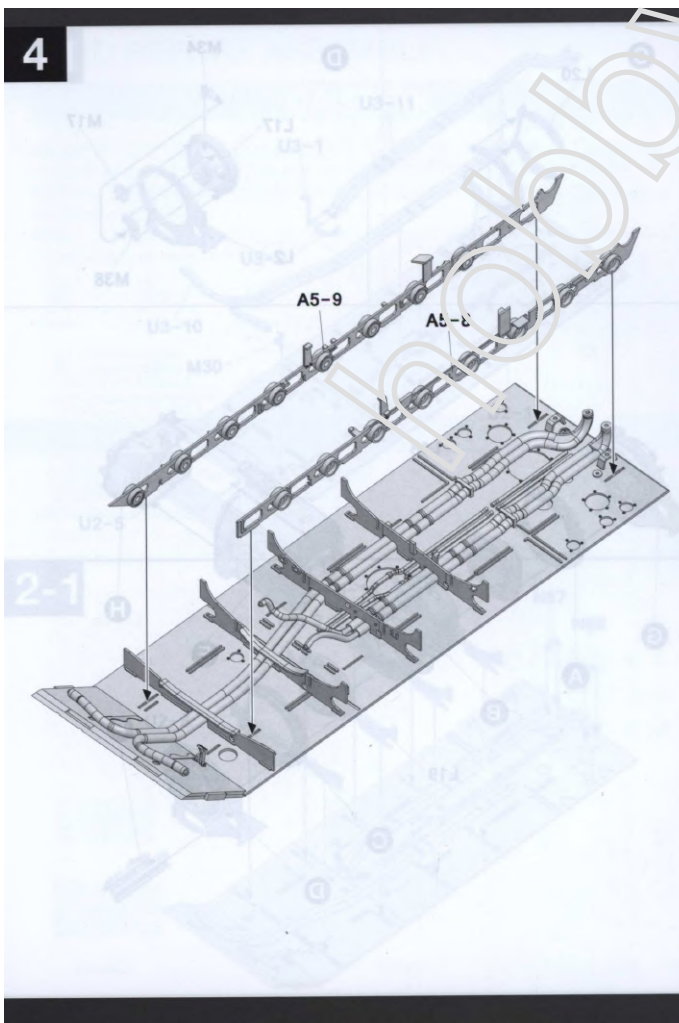
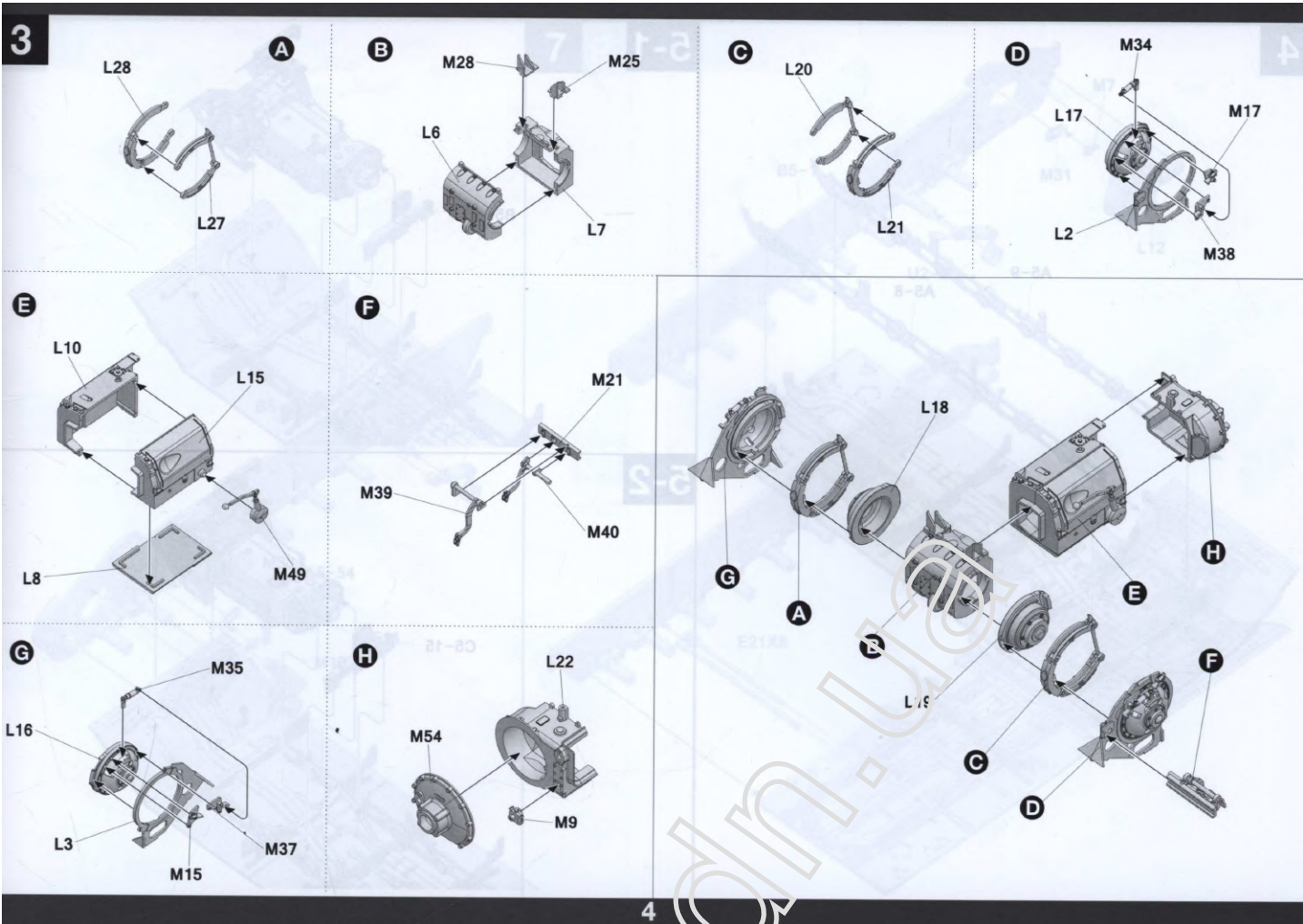


2-1

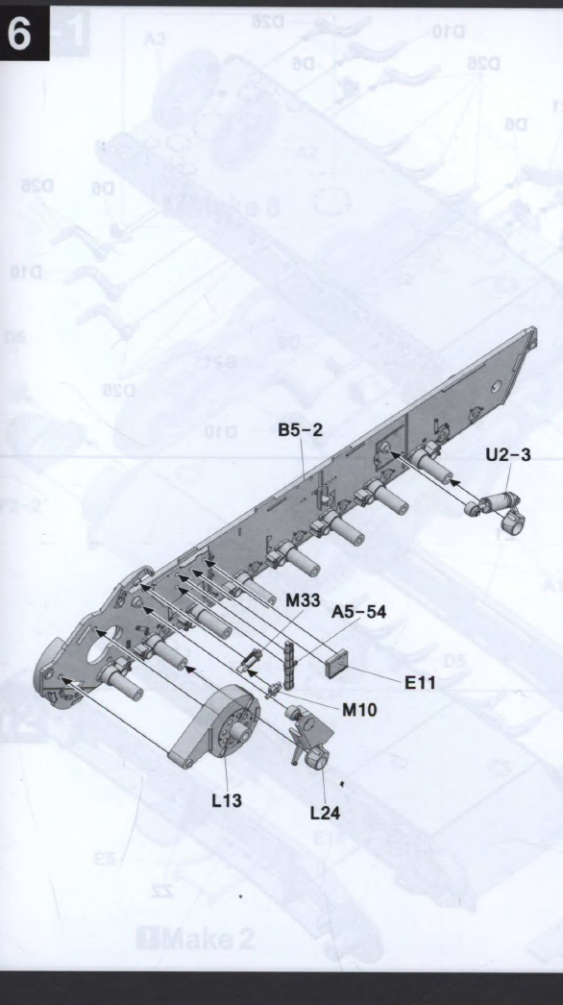


2-2

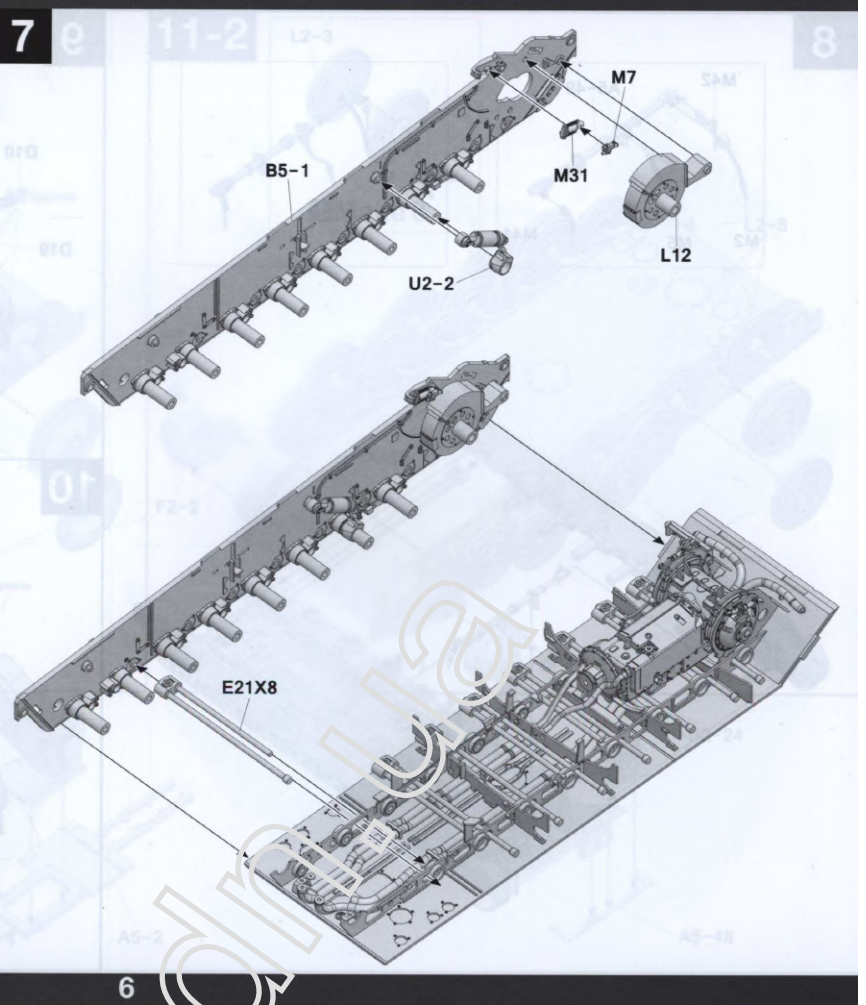




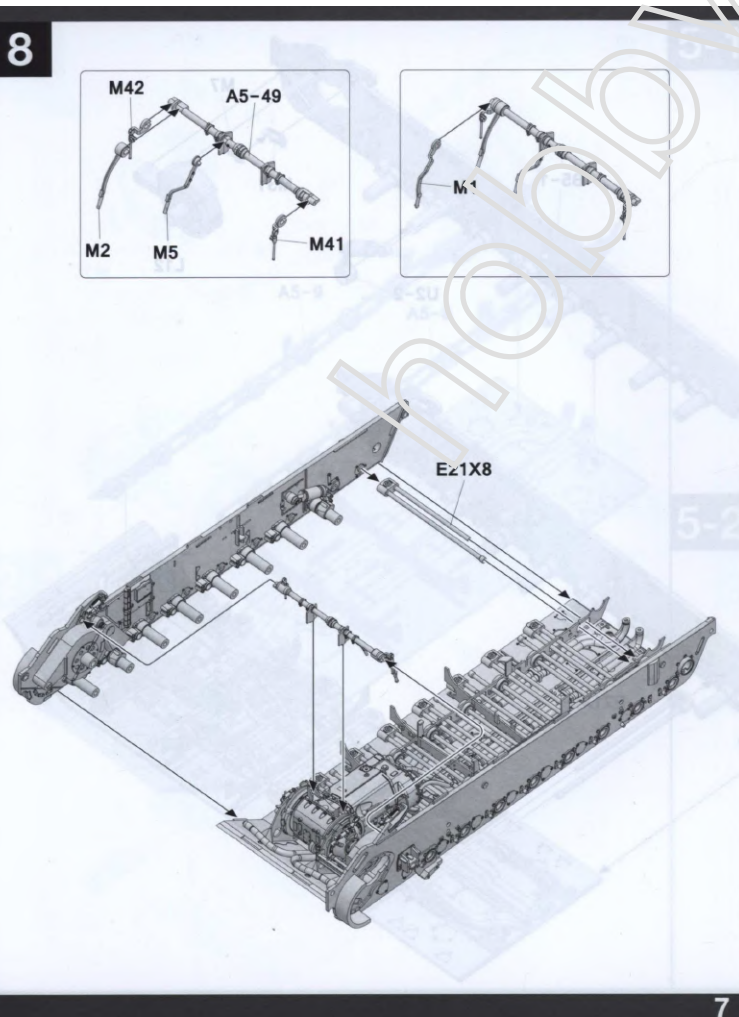
6



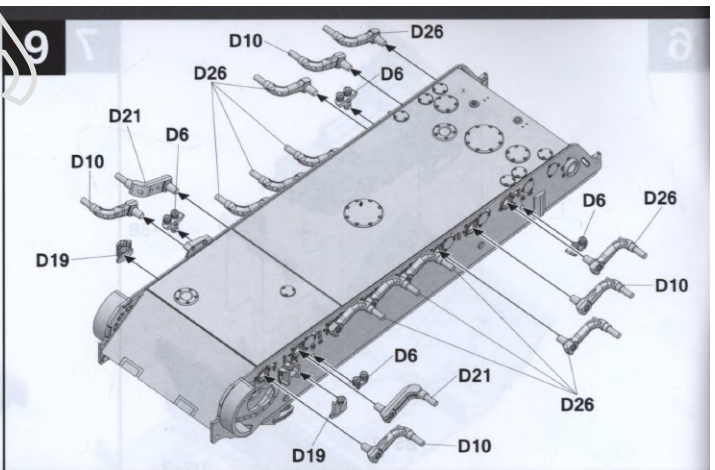
7



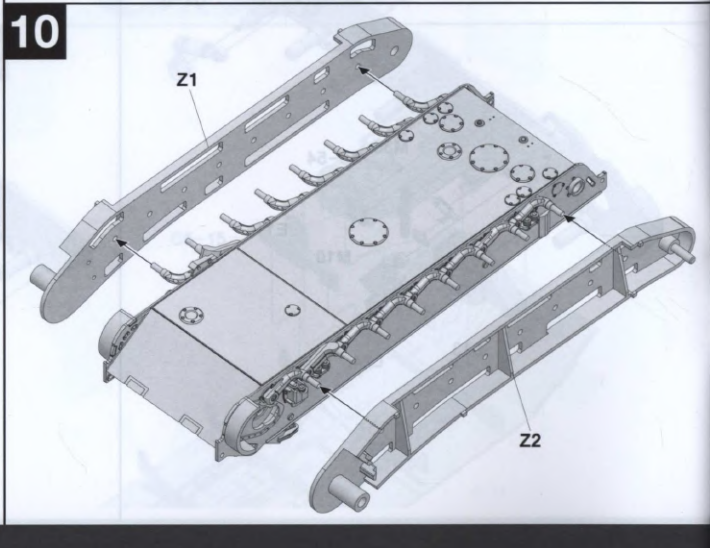
8



9

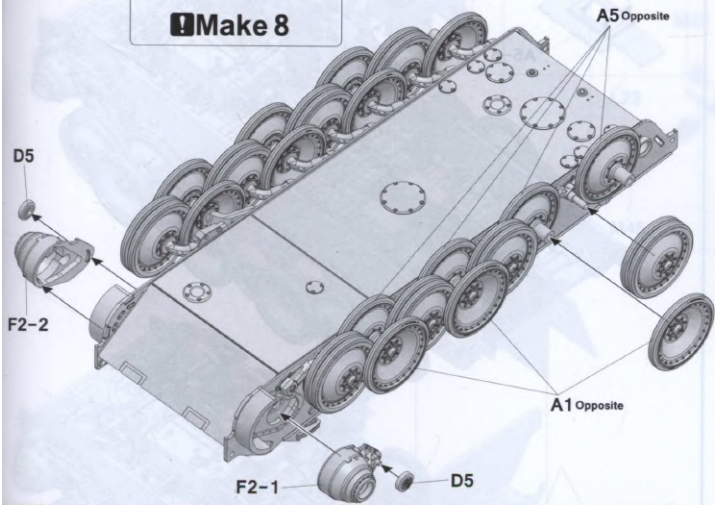
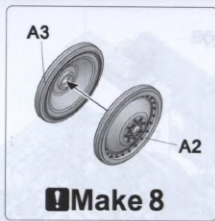


10

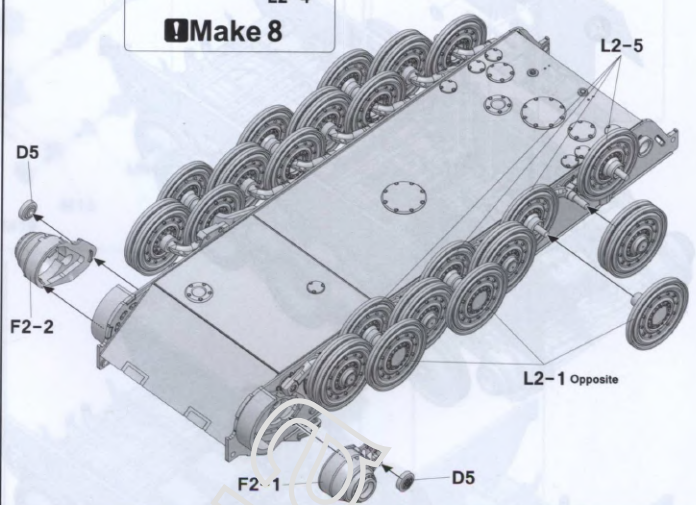
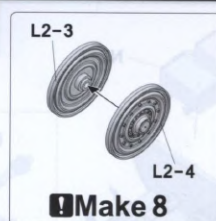


7

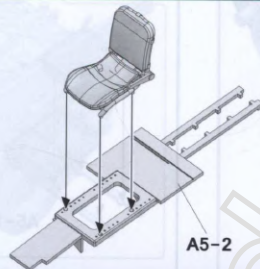
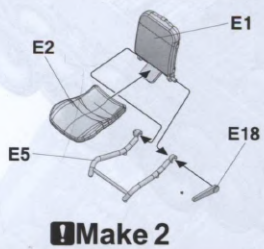
11-1



11-2

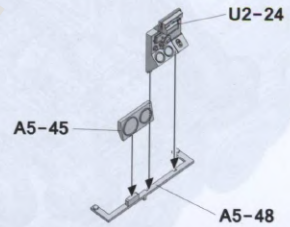


12



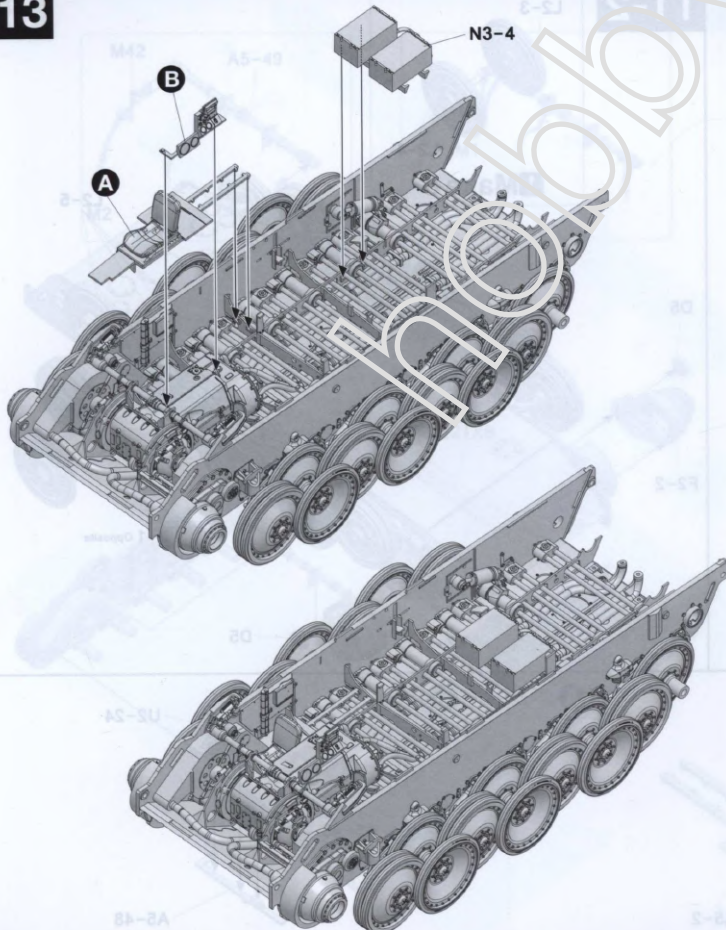
A

B

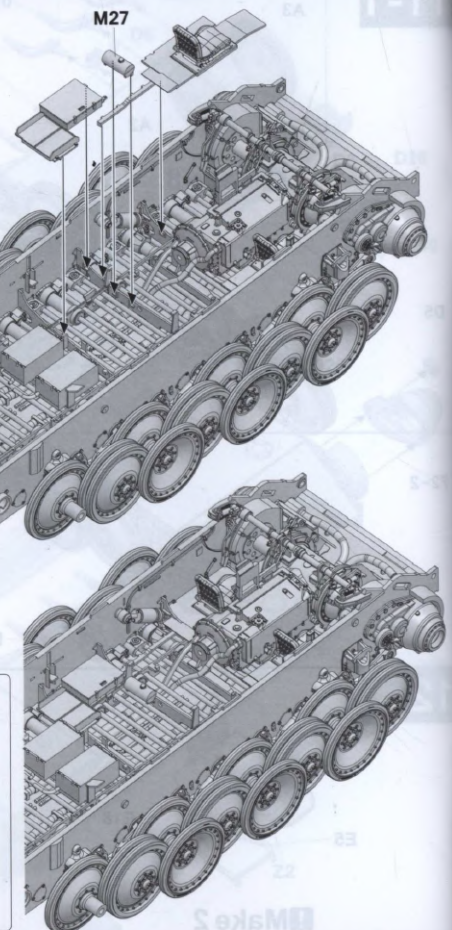
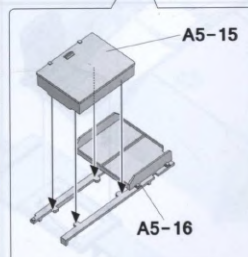
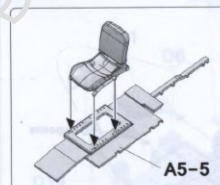


8

13

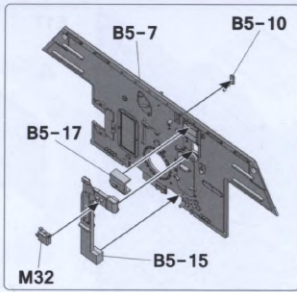


14

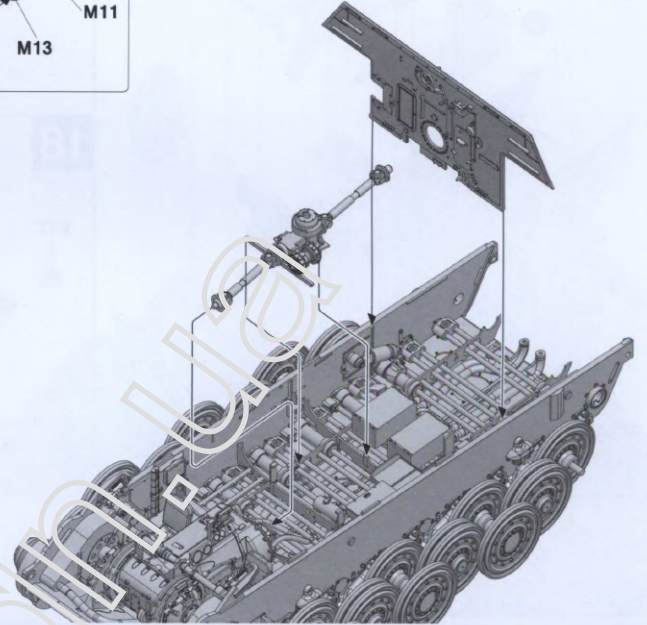
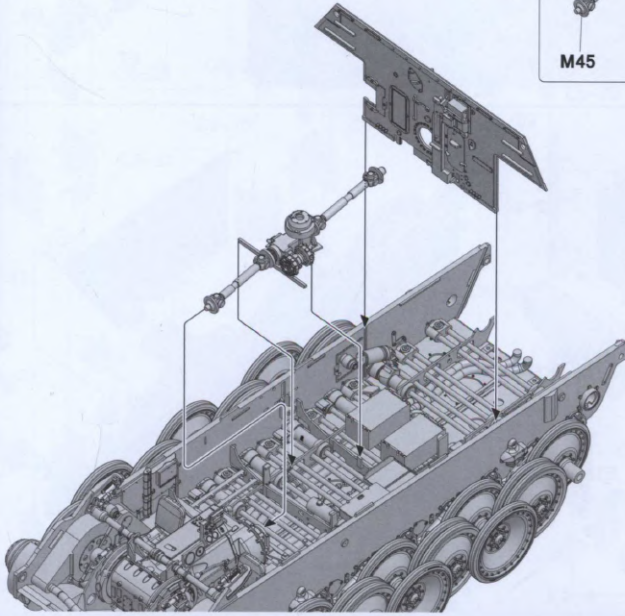
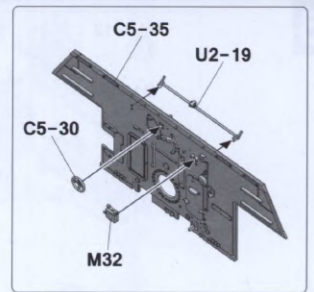
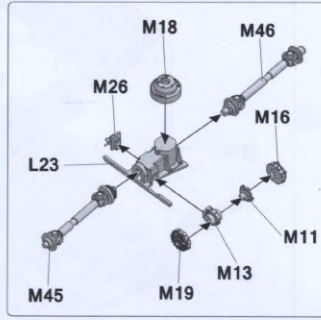


9

15-1

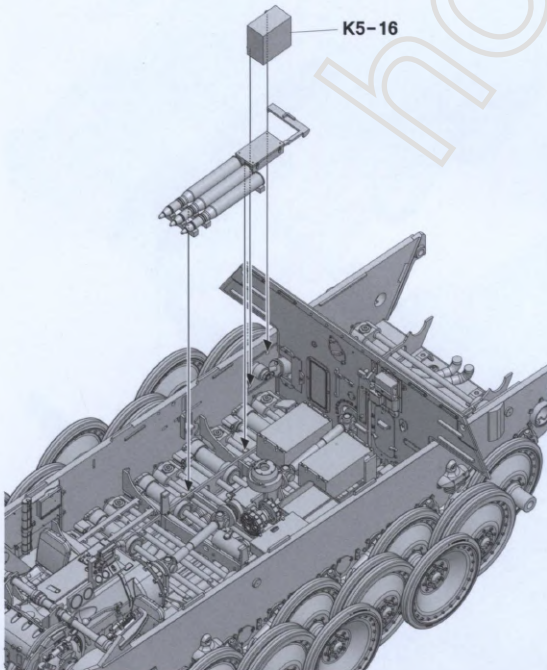
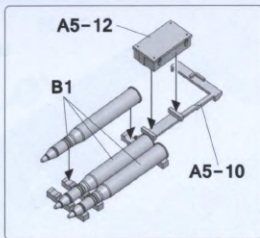


15-2

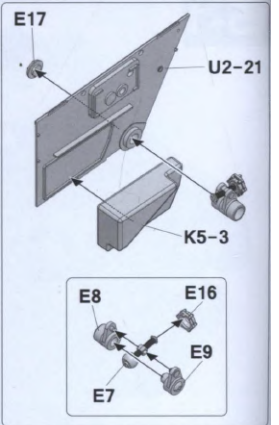
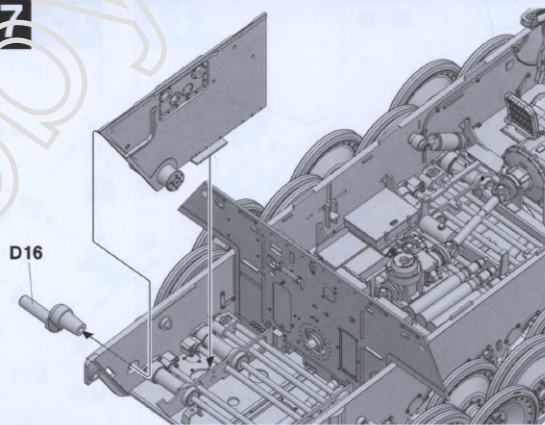


10

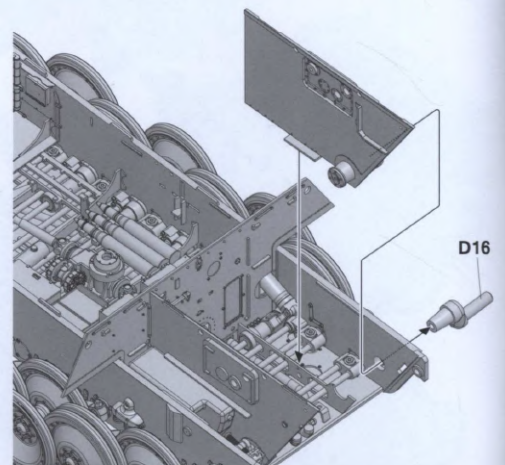
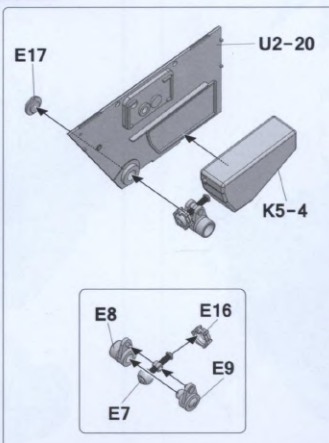
16



17

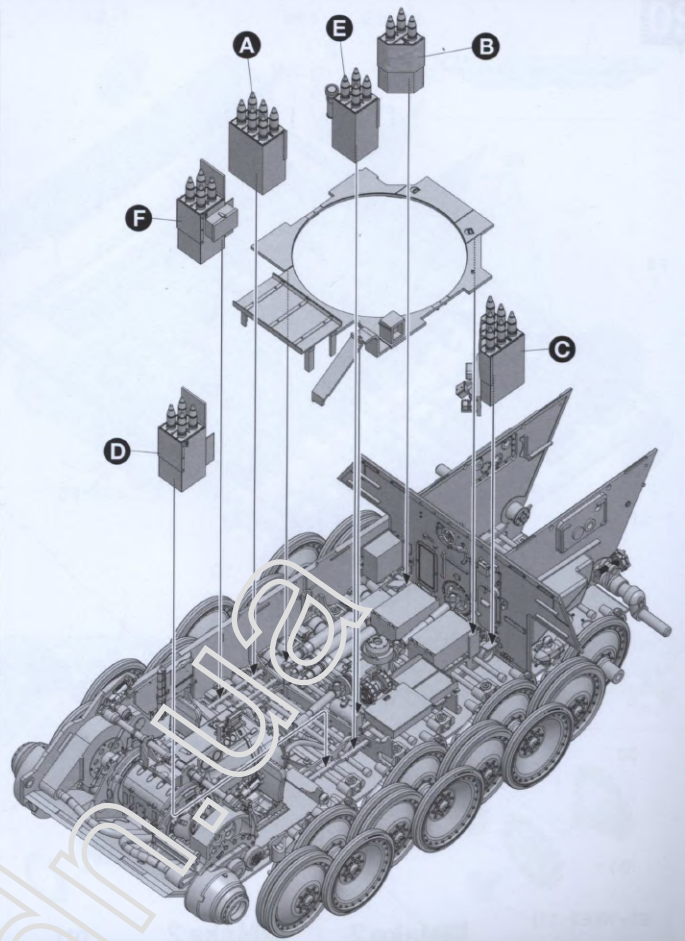
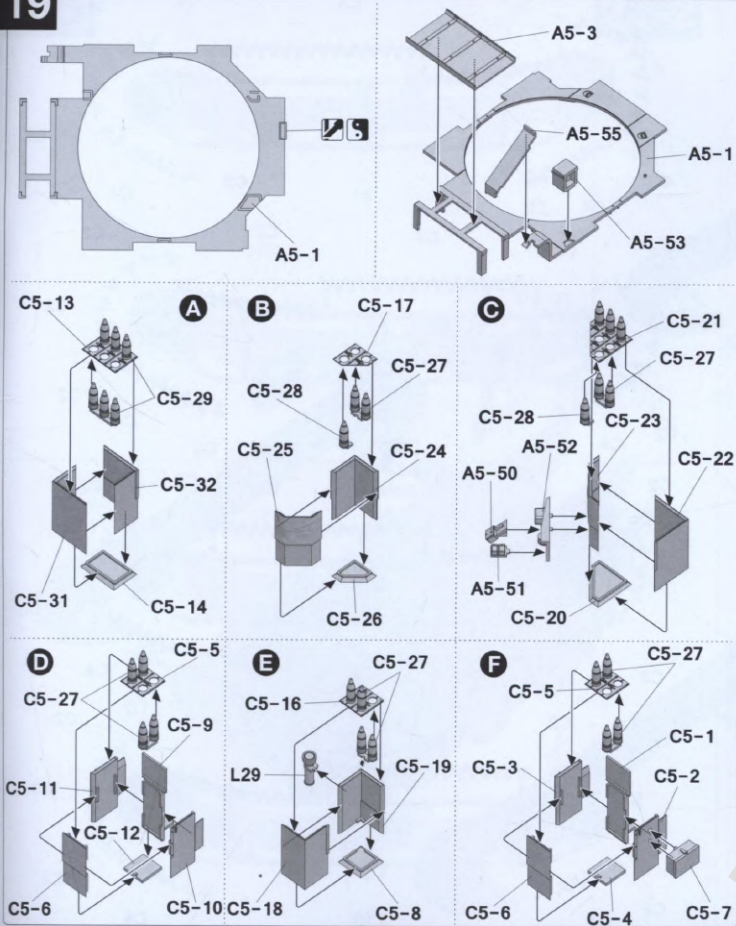


18



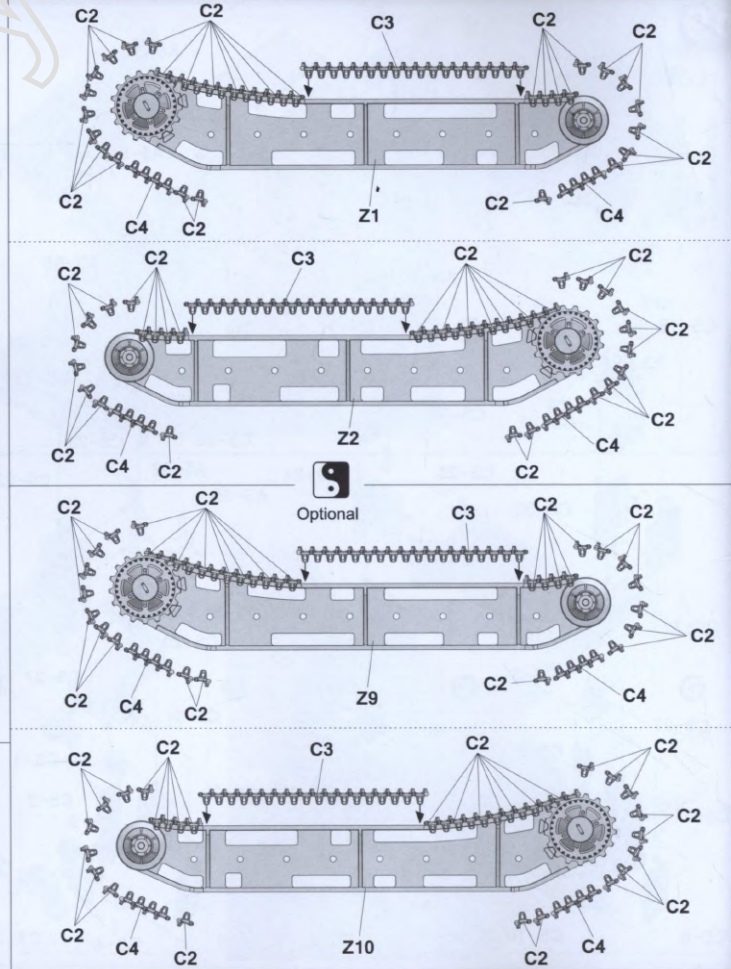
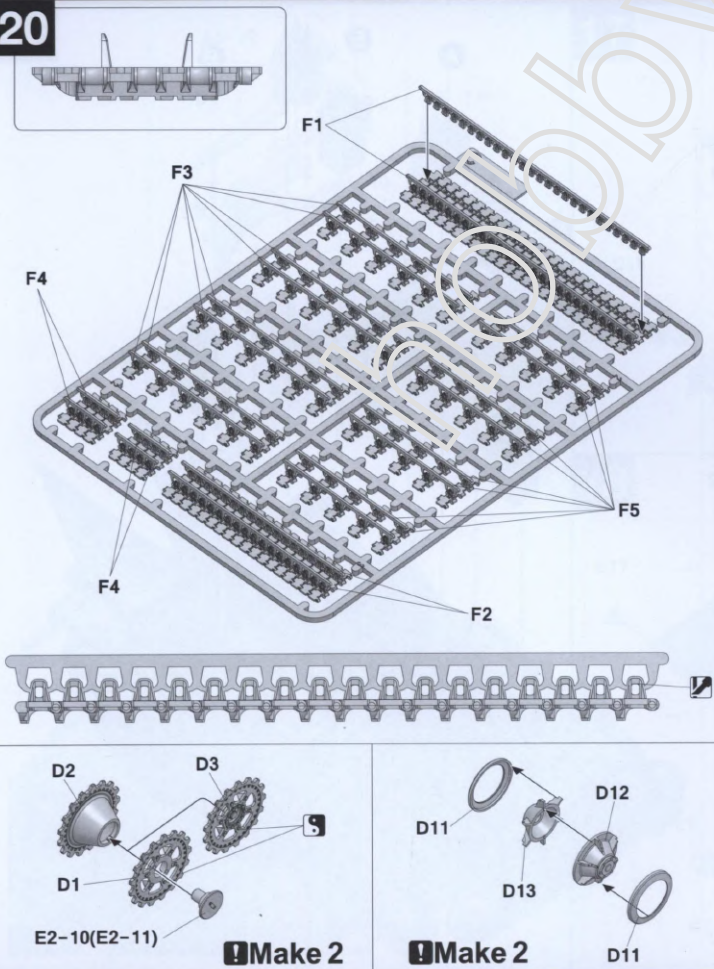
11

19



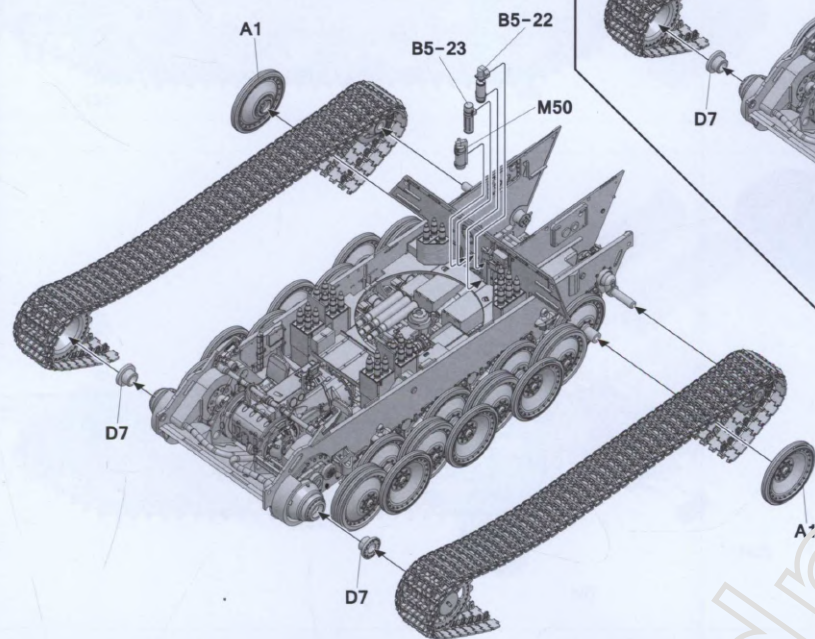
12

20

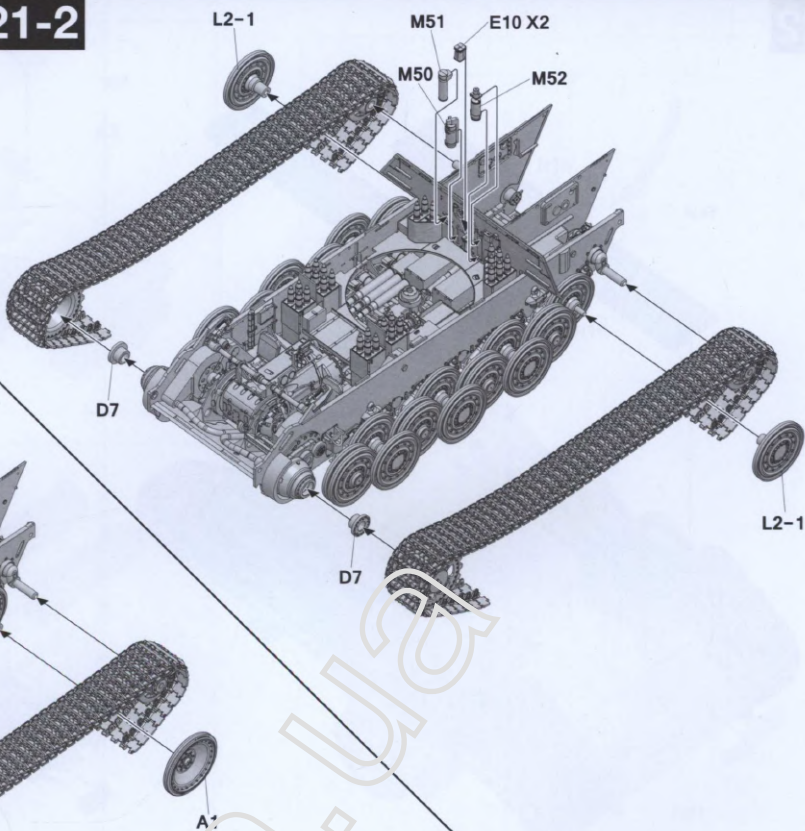


13

21-1

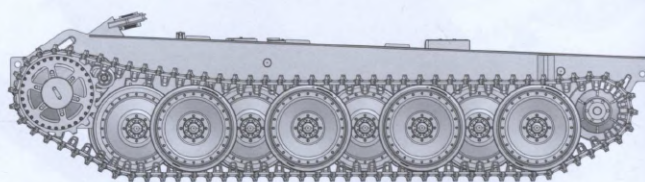
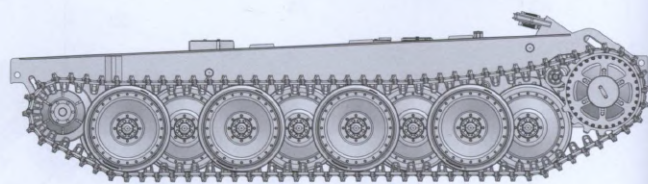
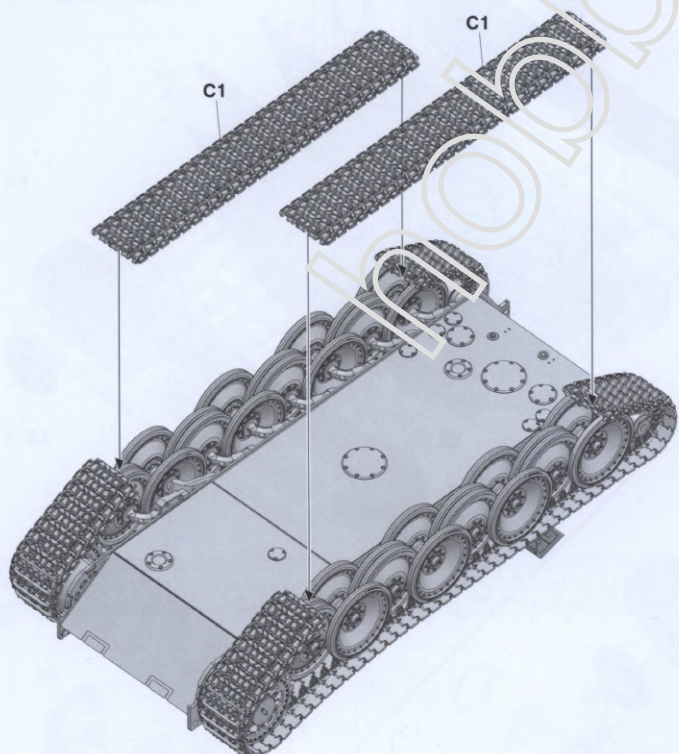


21-2

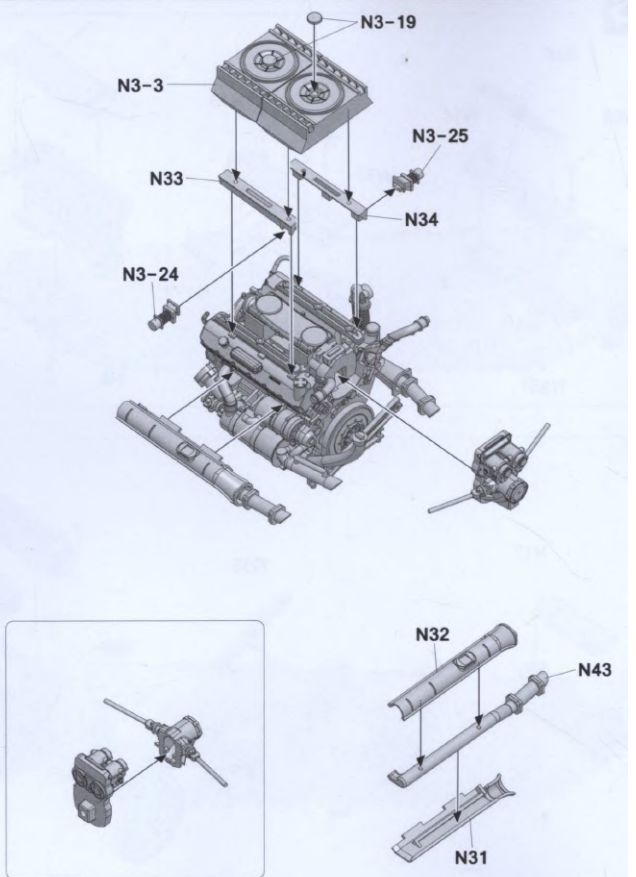
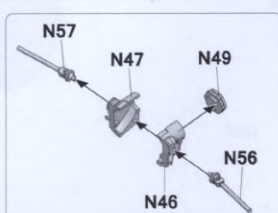
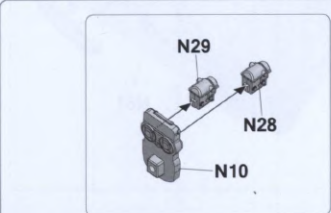
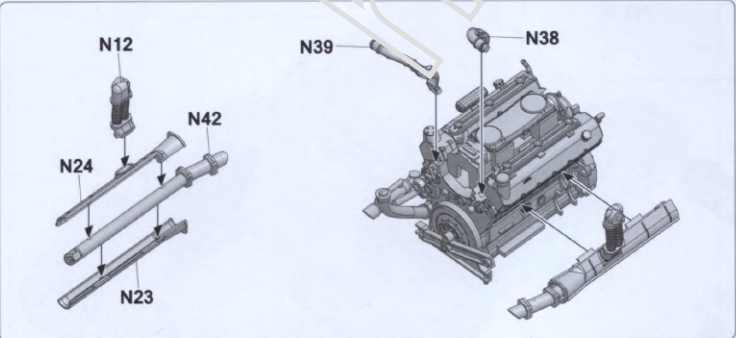
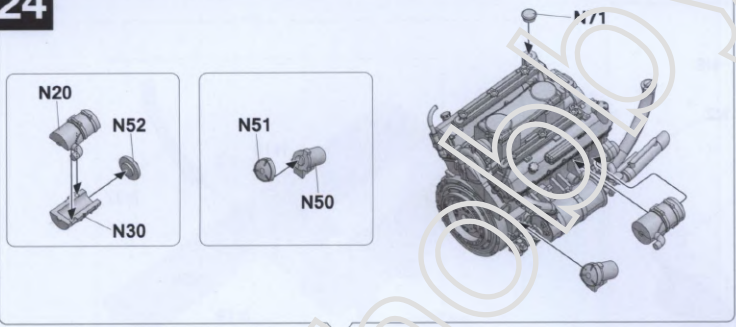
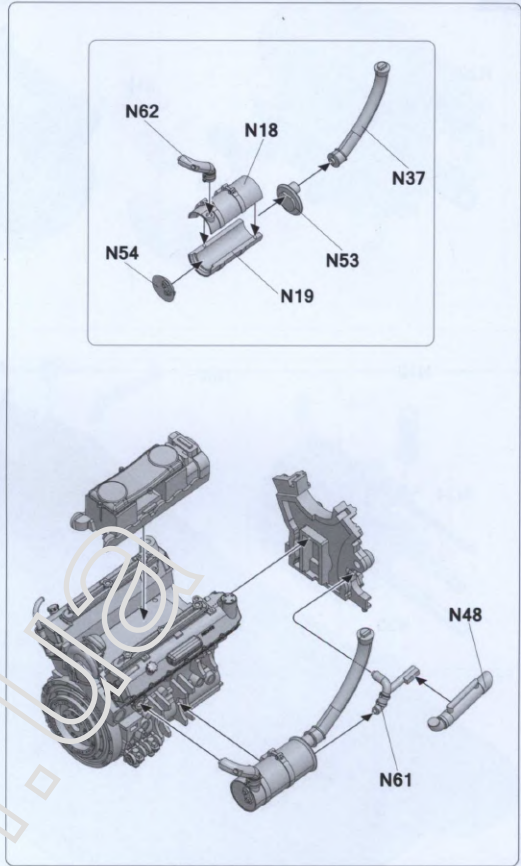
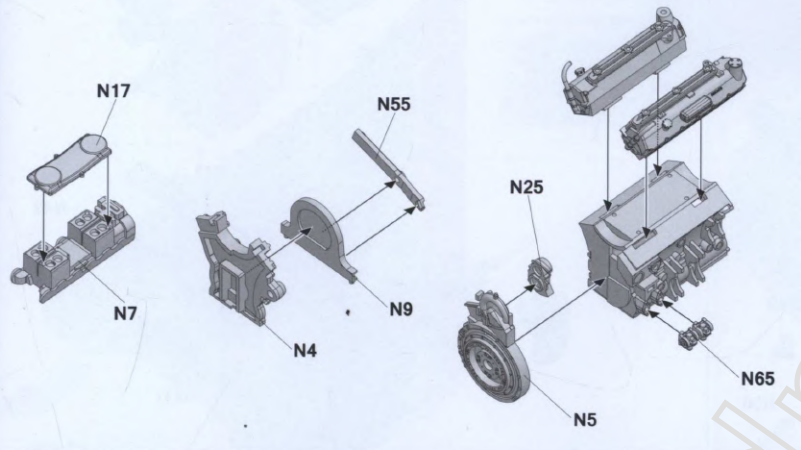
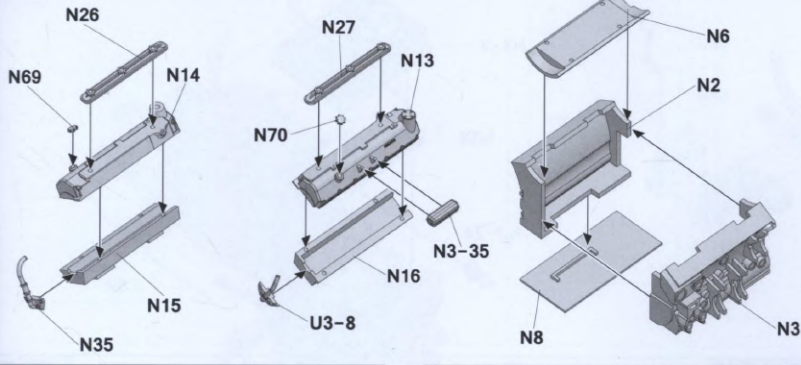


14

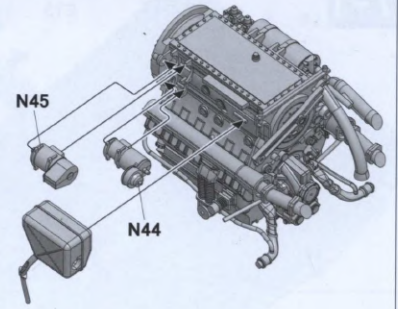
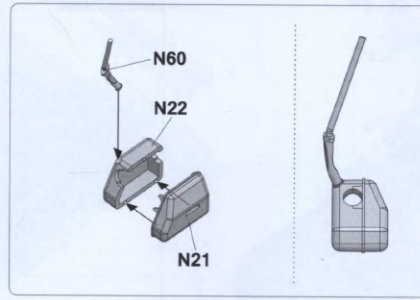
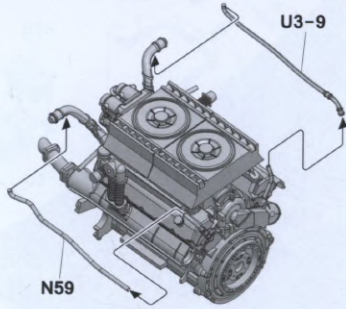
22



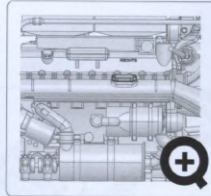
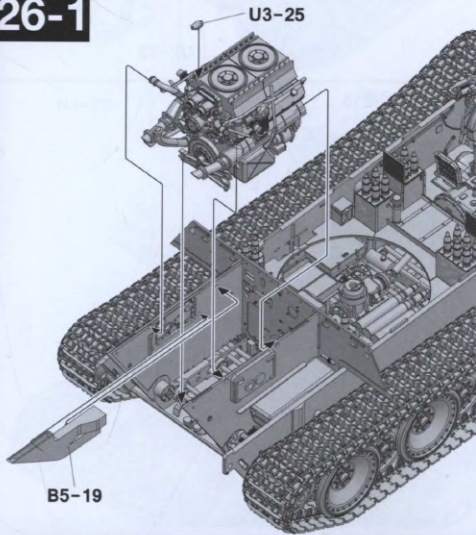
15



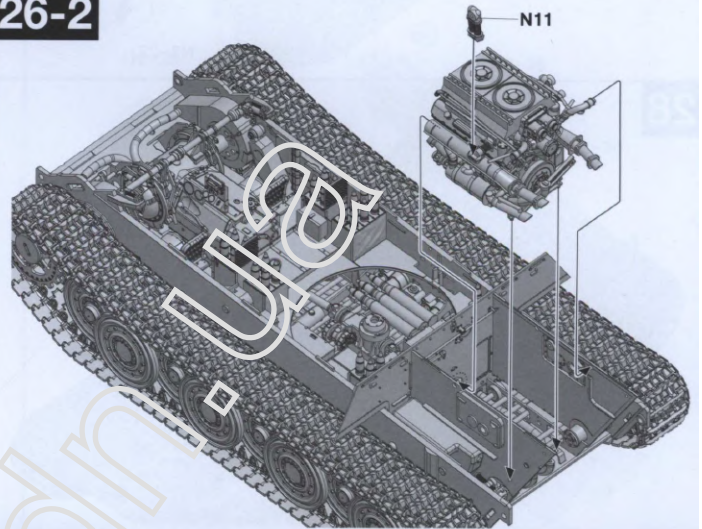
25



26-1

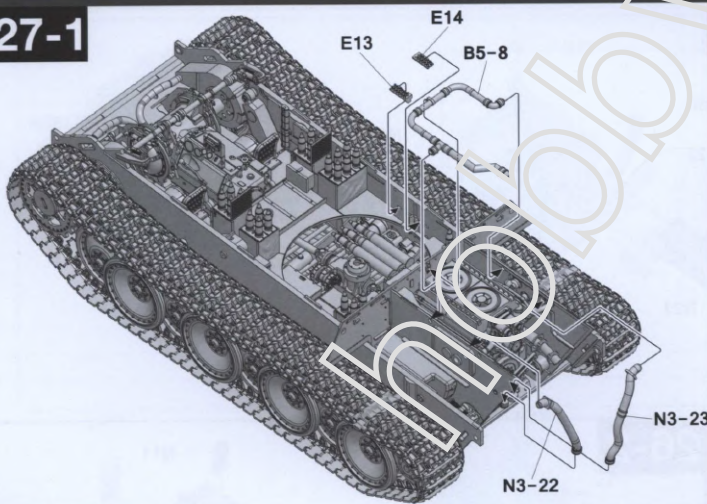


26-2

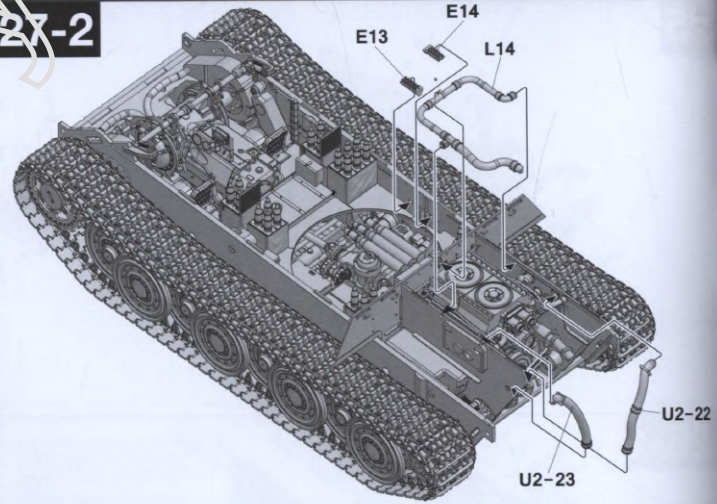


18

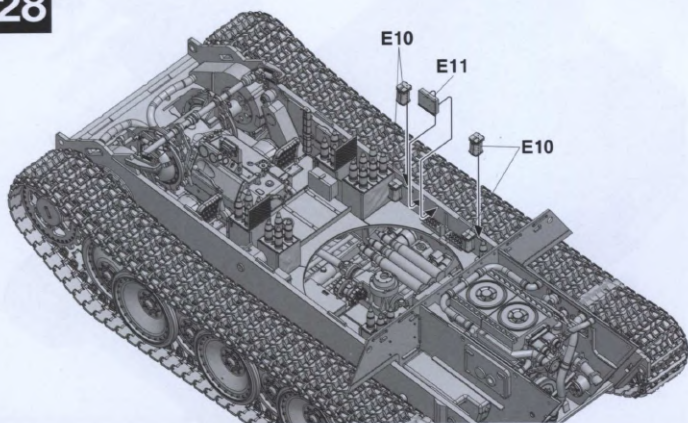
27-1



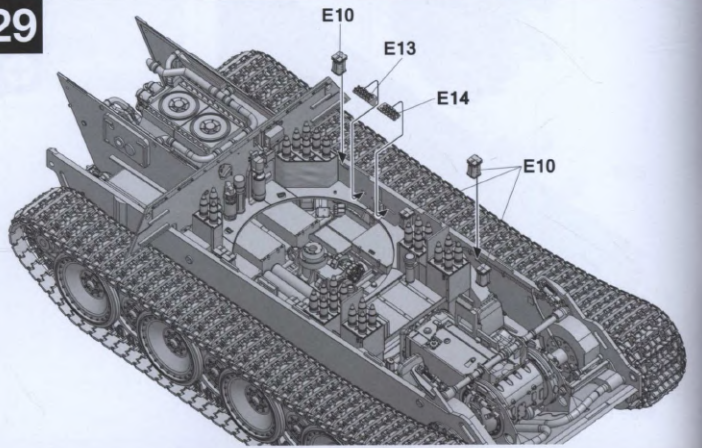
27-2



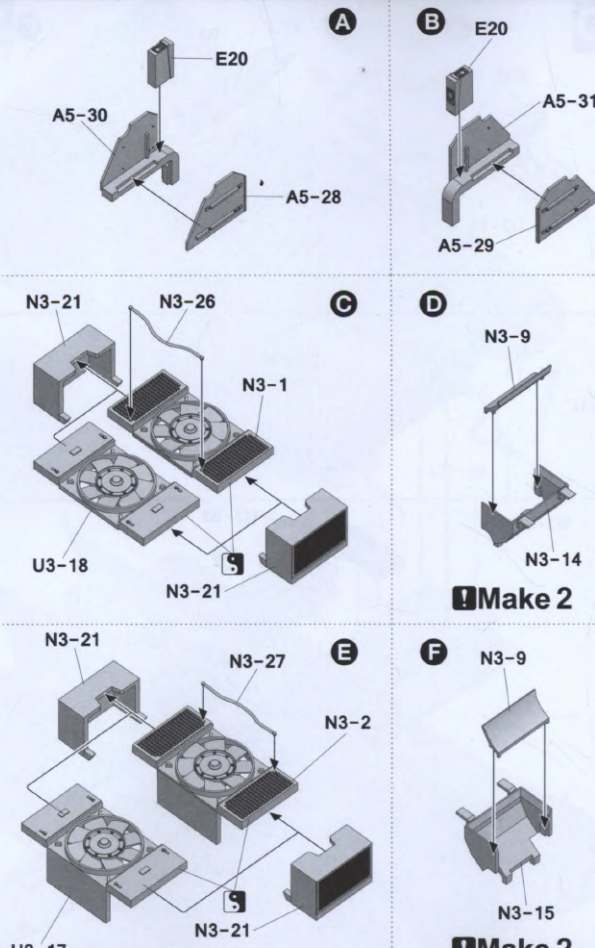
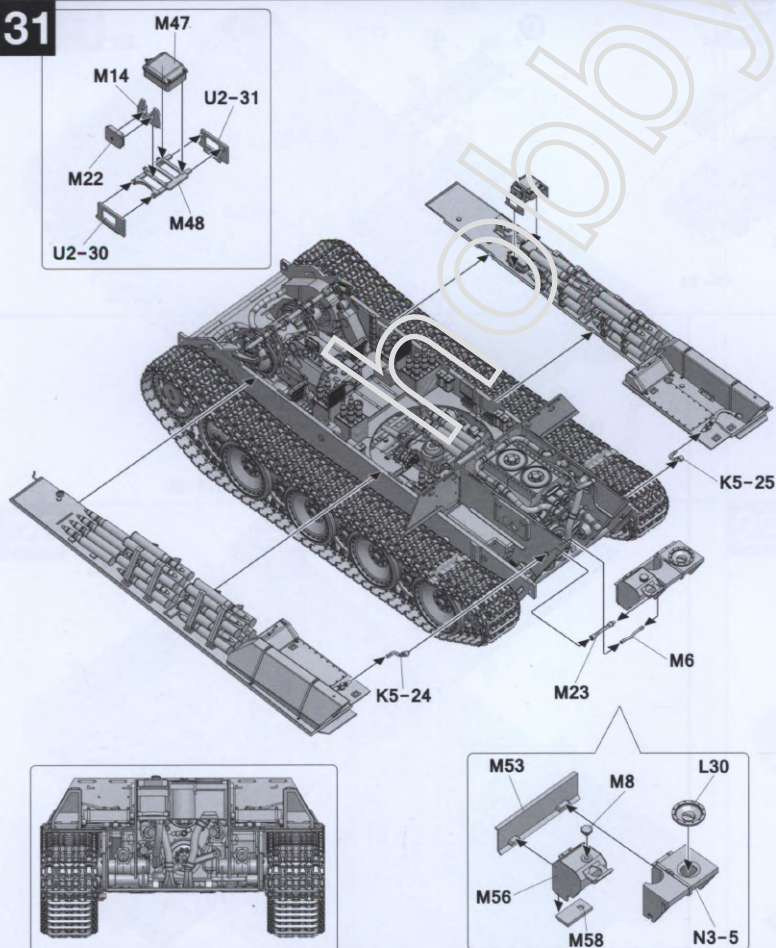
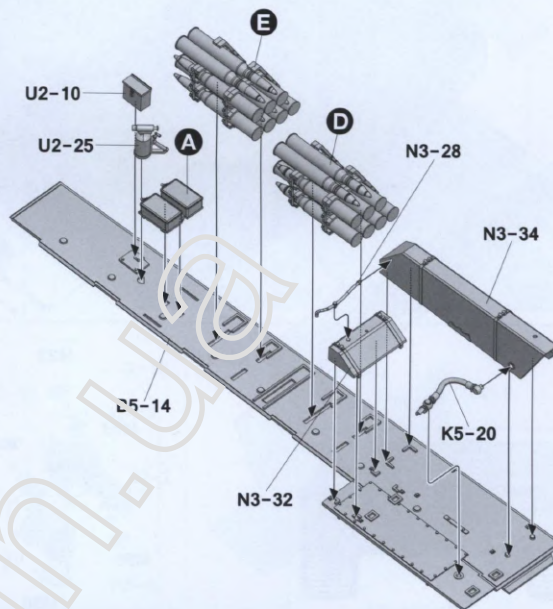
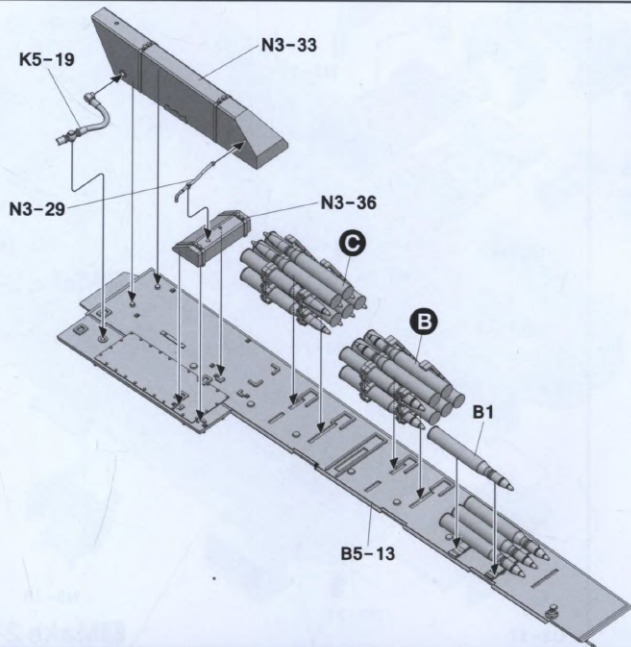
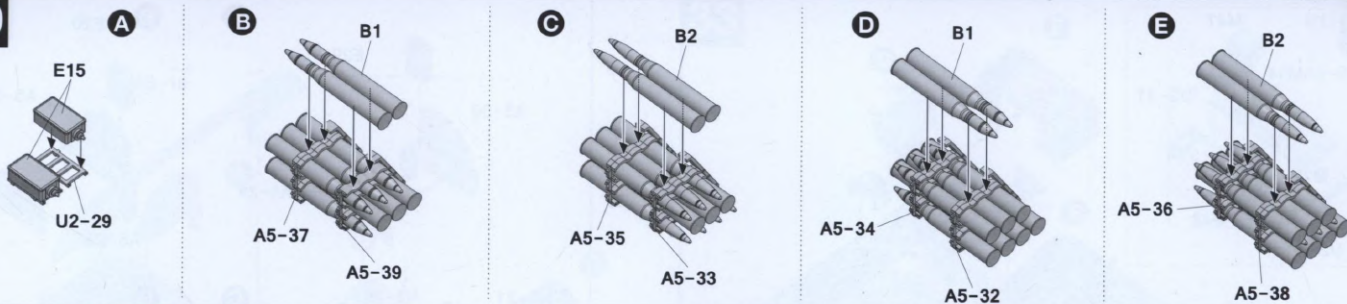
28



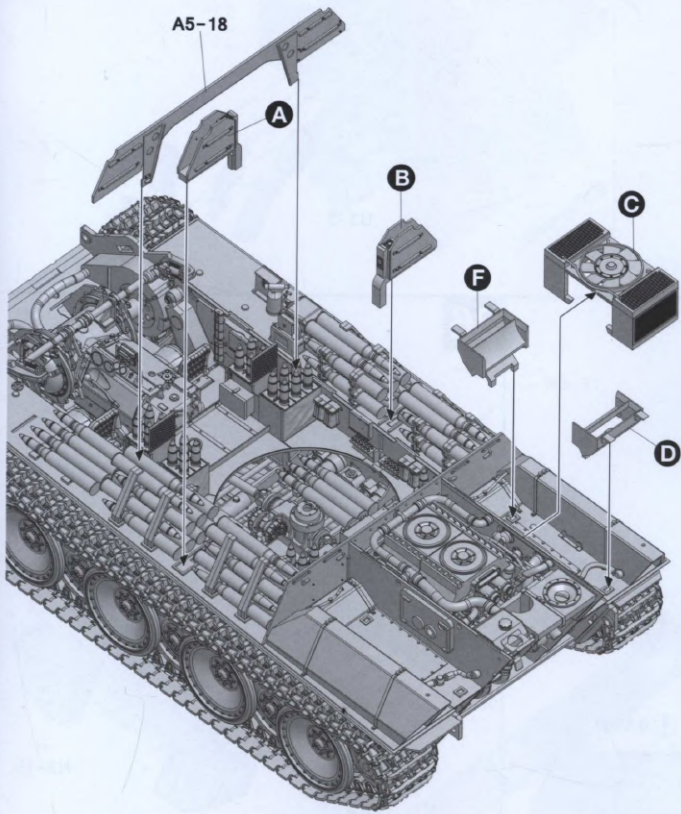
29



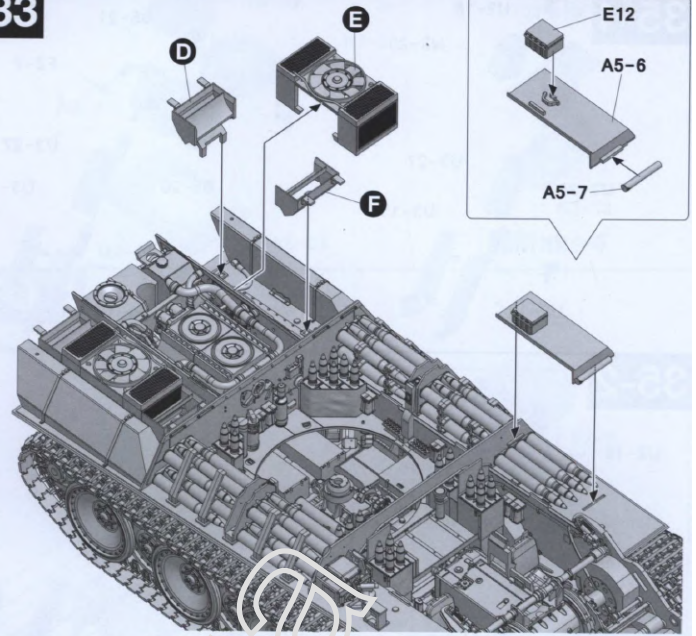
19



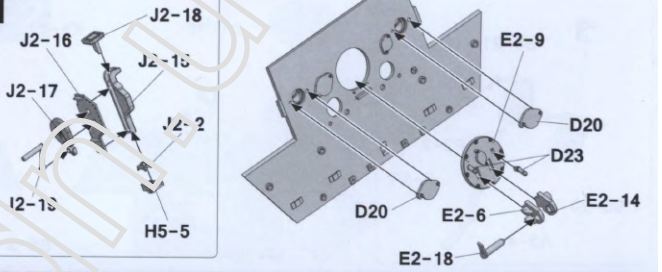
32



33

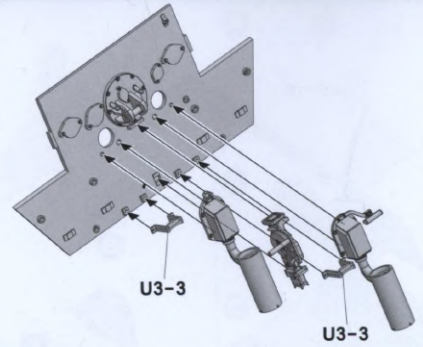
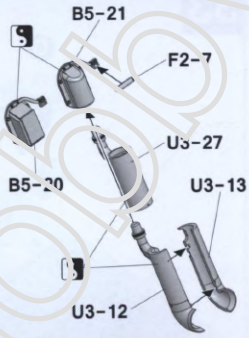
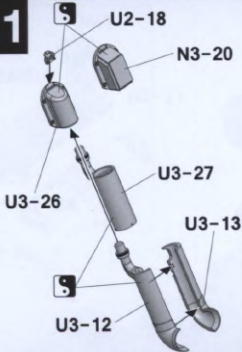


34

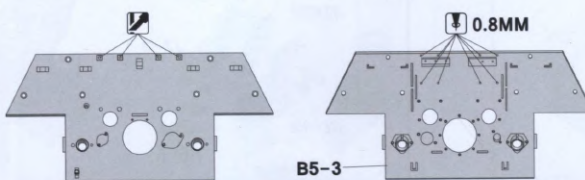
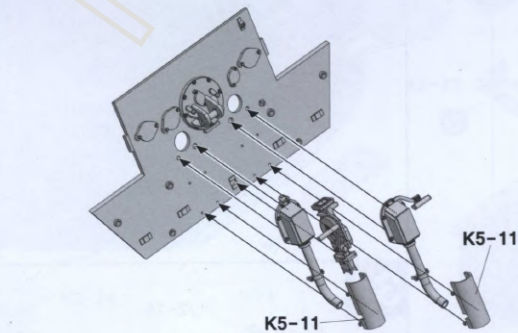
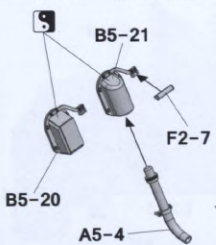
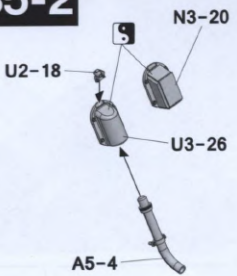


22

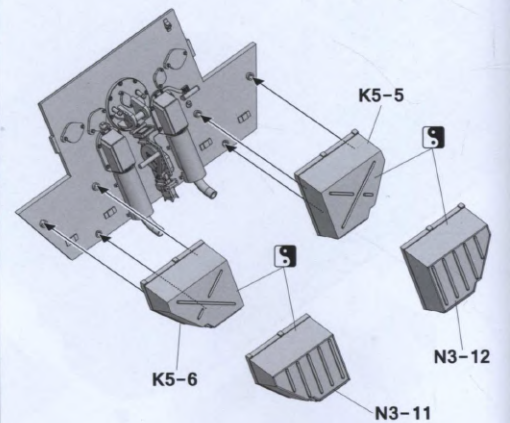
35-1



35-2

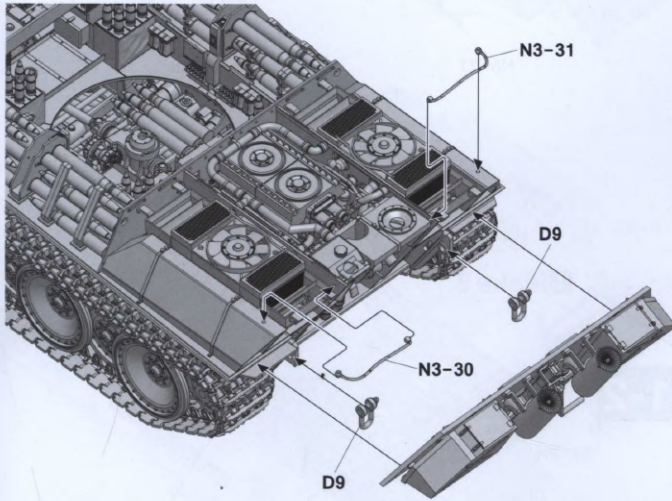
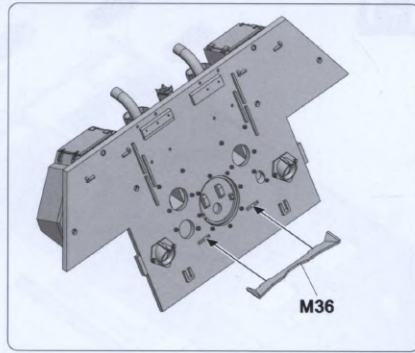


36

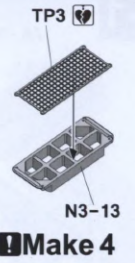
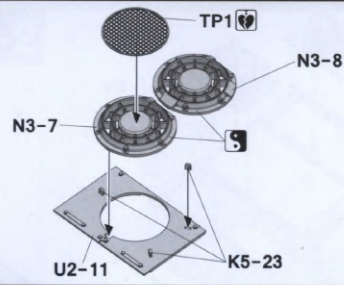


23

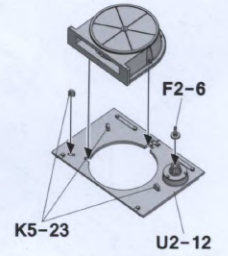
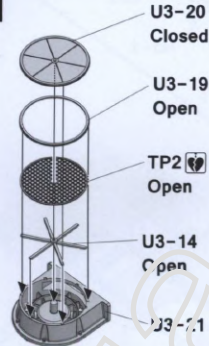
37



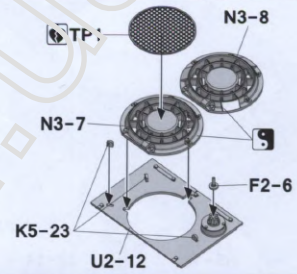
38



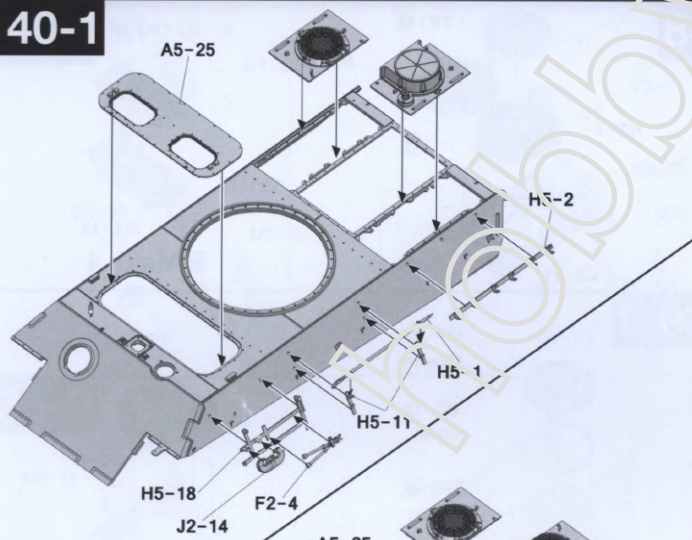
39-1



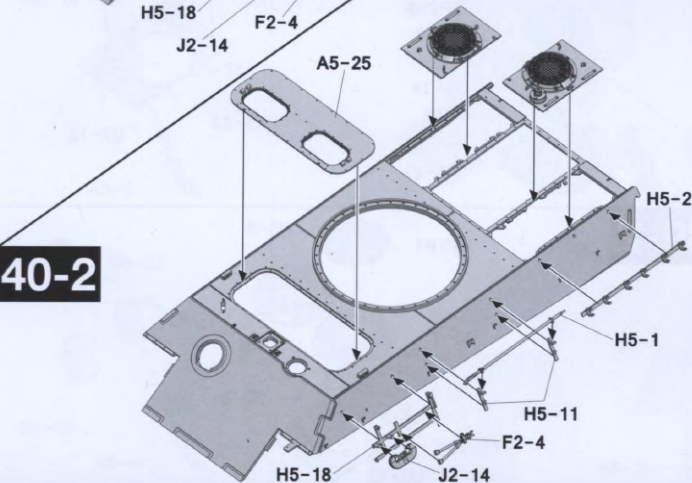
39-2



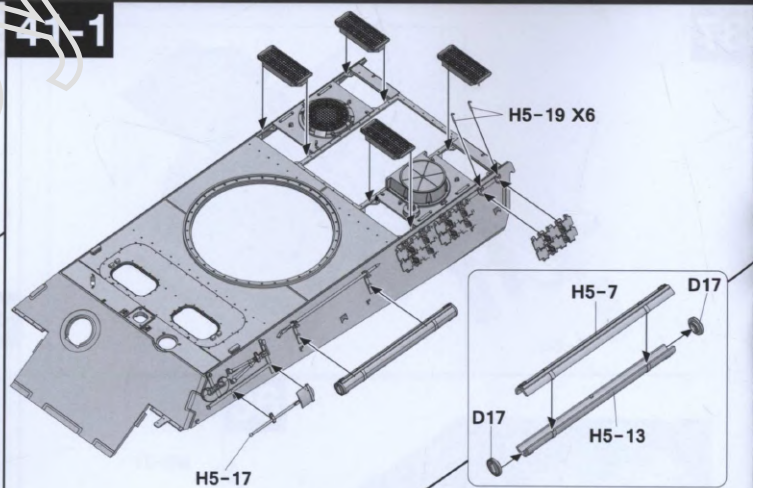
40-1



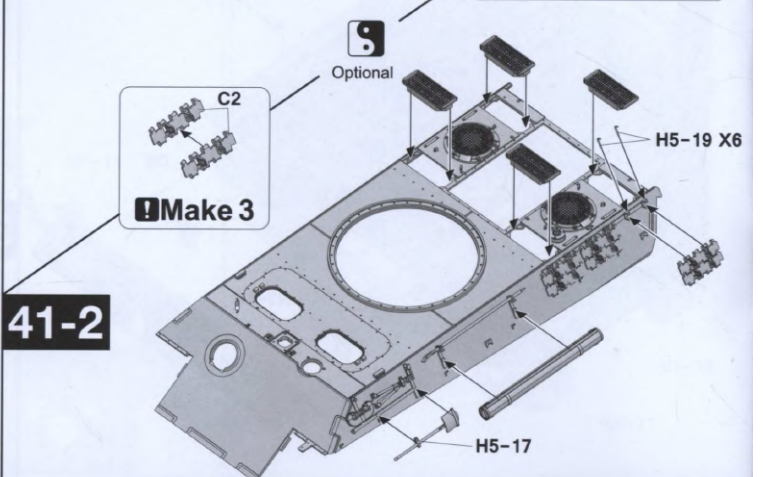
40-2



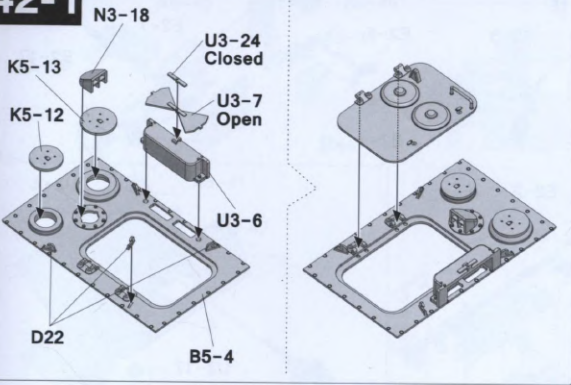
41-1



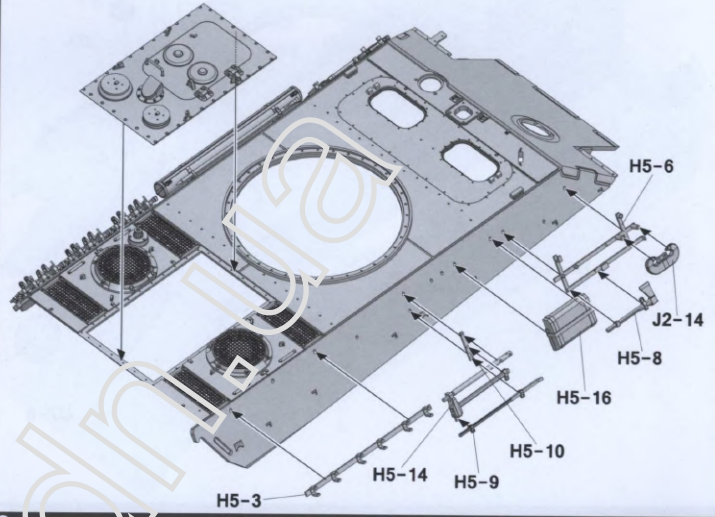
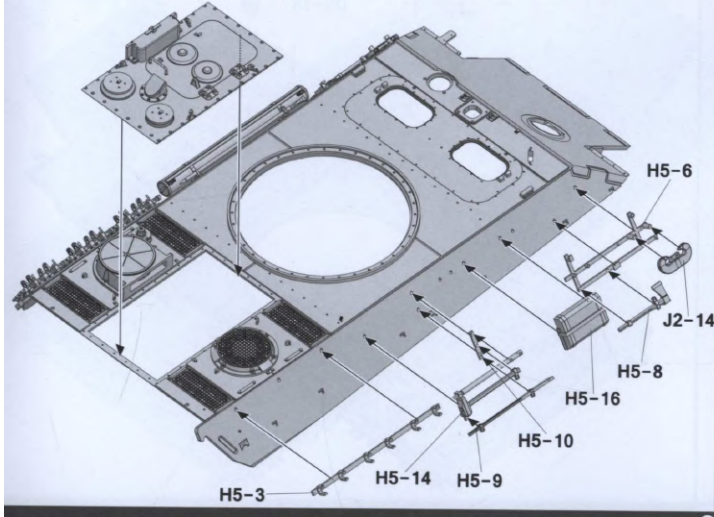
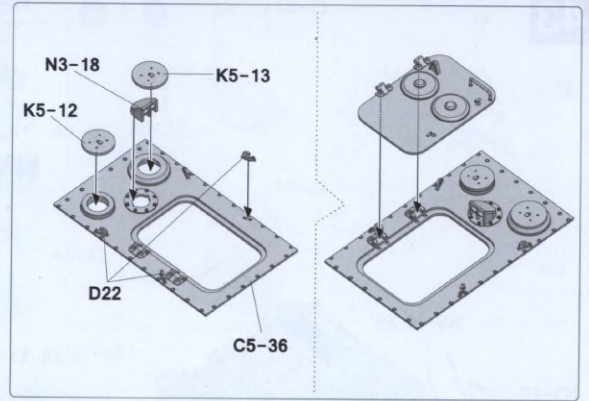
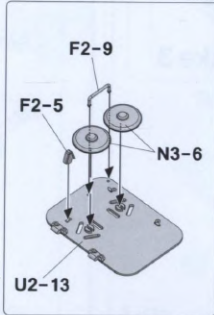
41-2



42-1

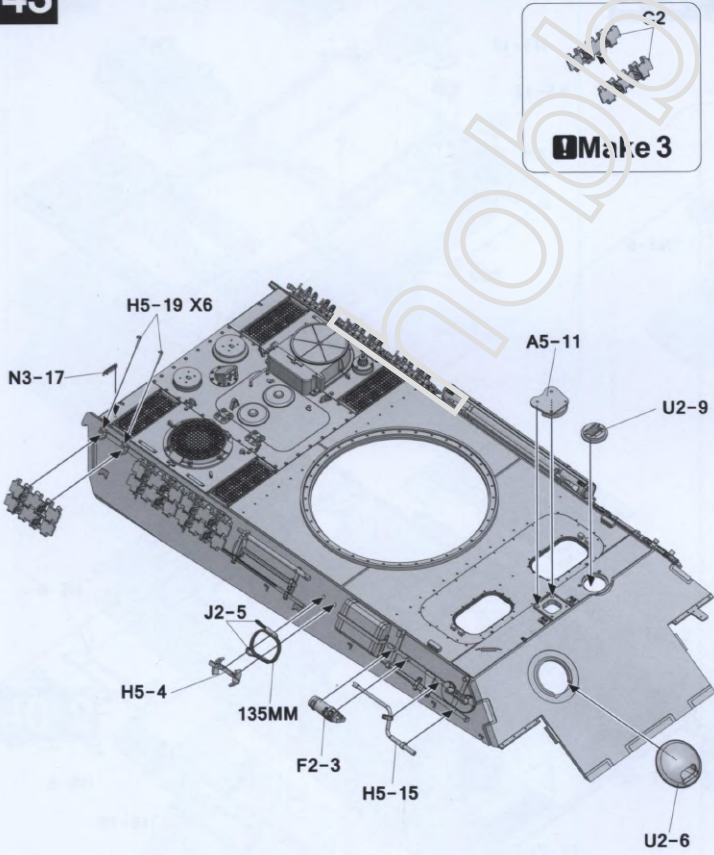


42-2

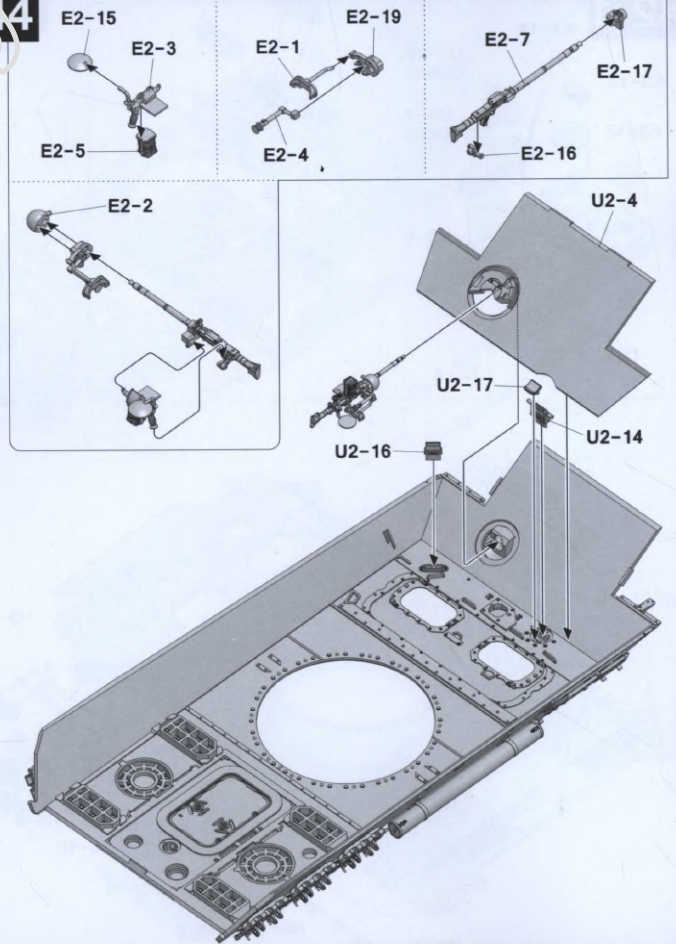


26

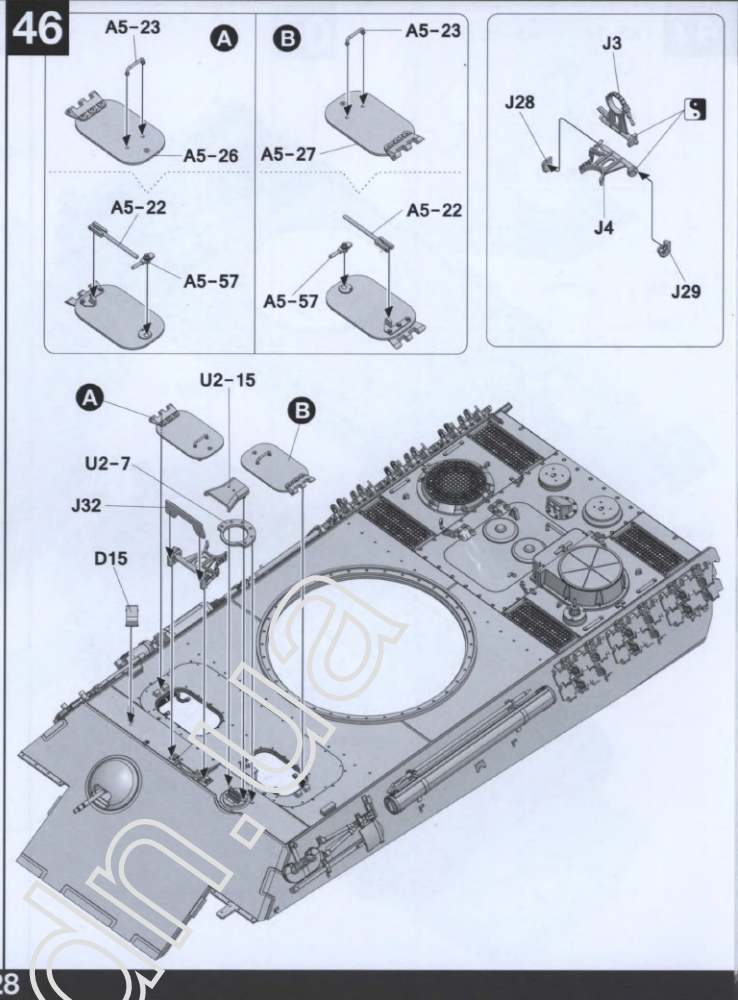
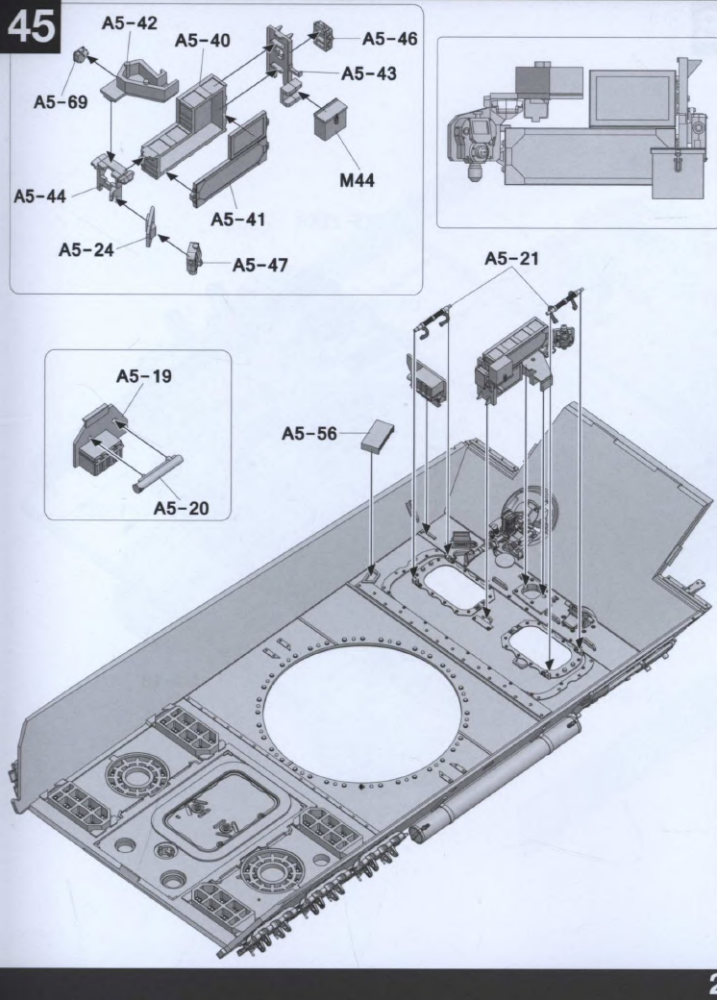
43



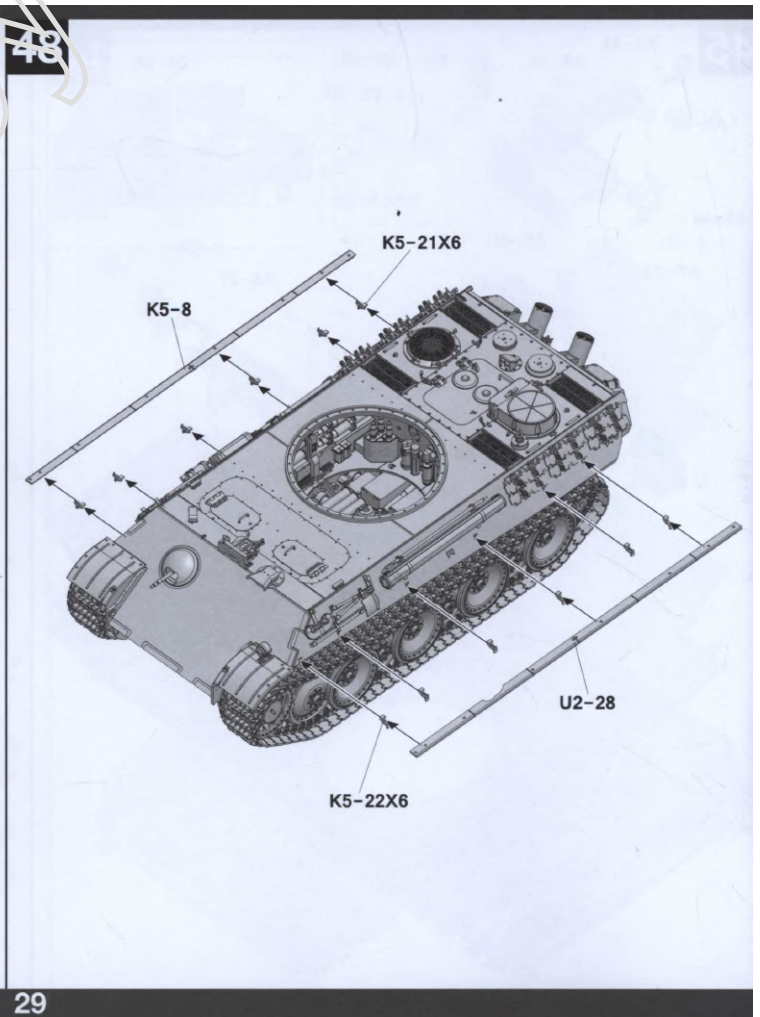
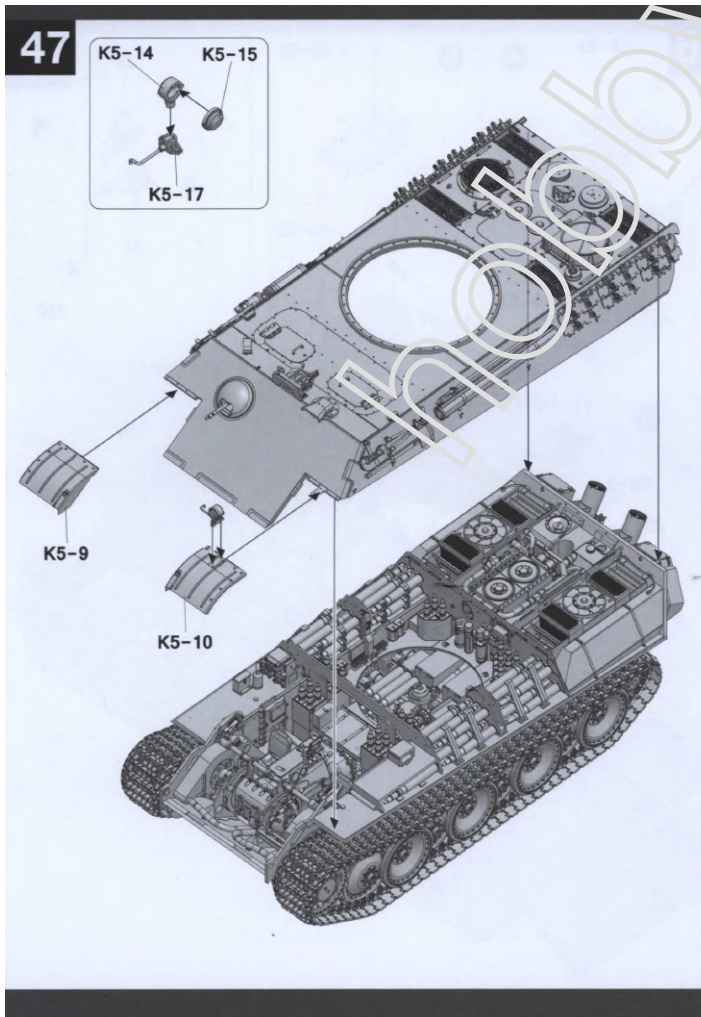
44



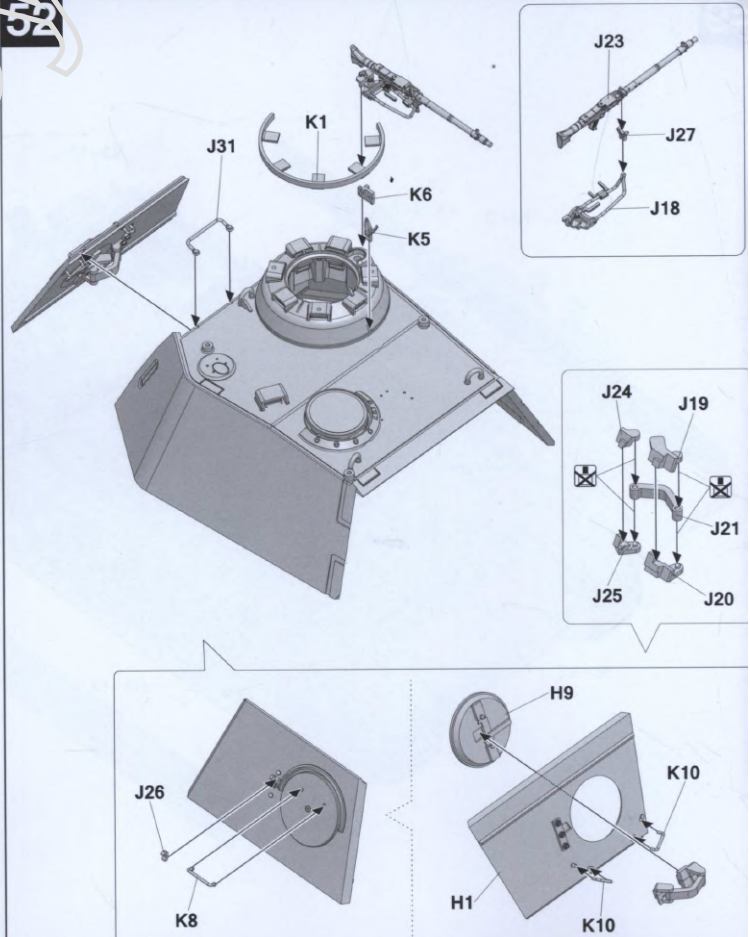
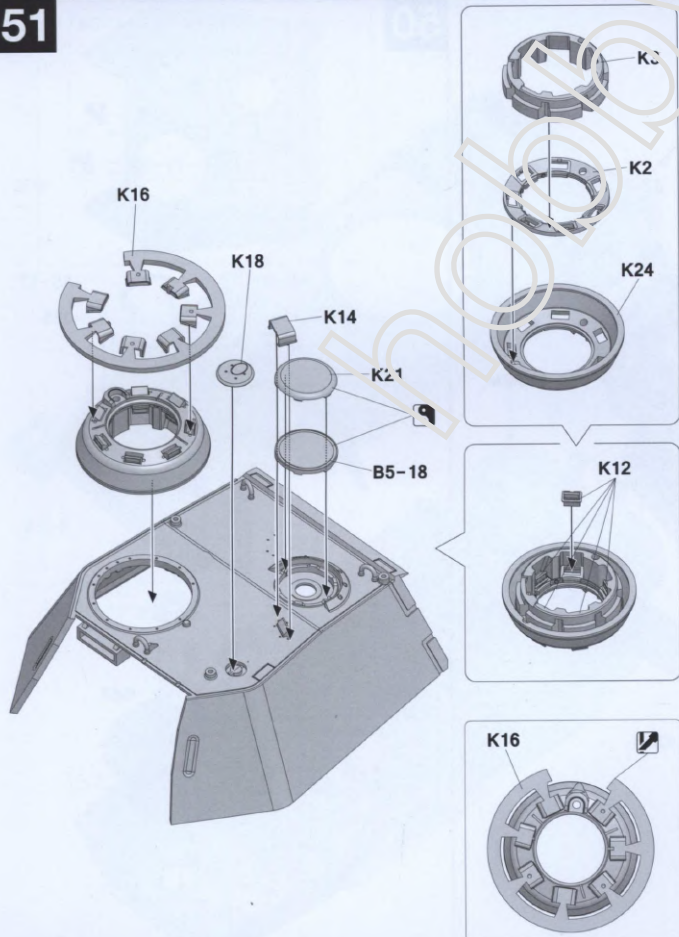
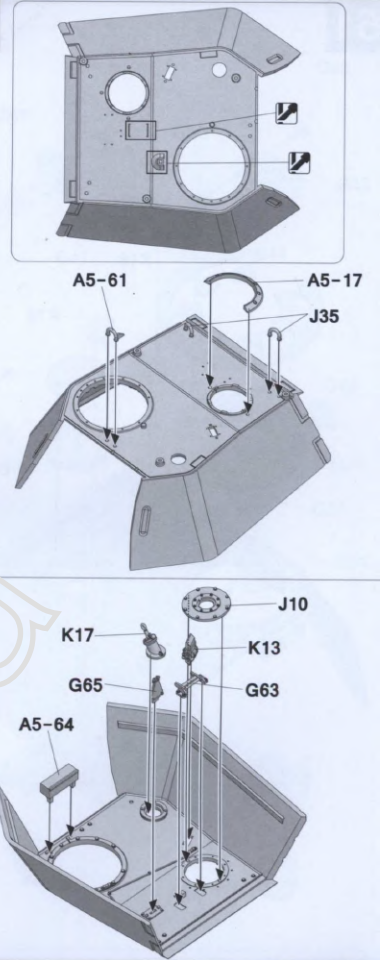
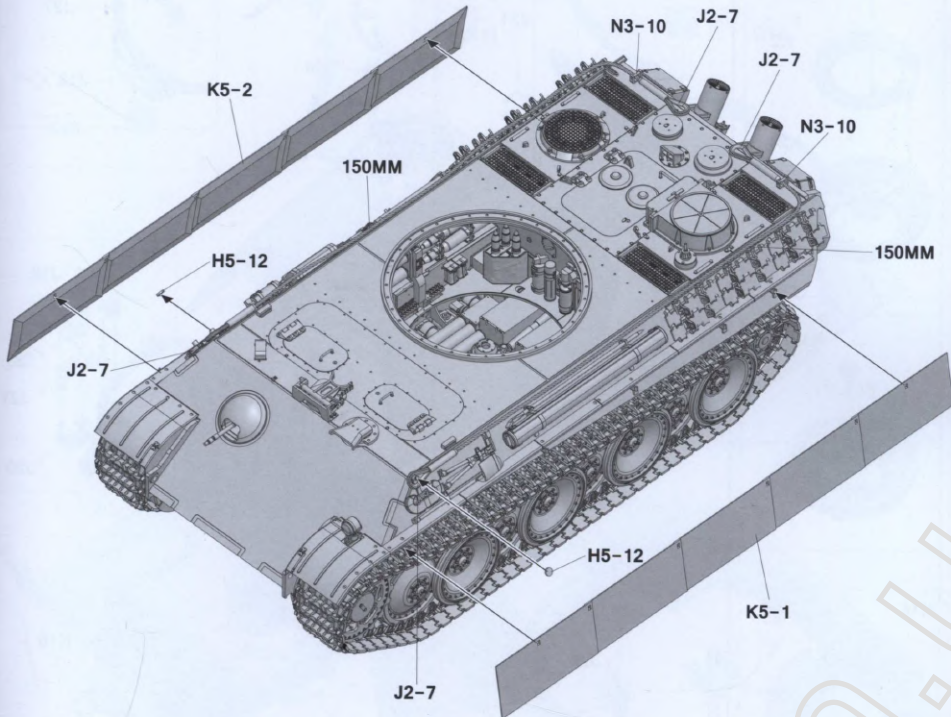
27



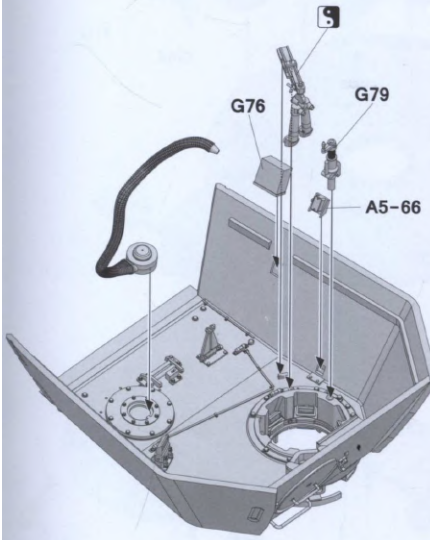
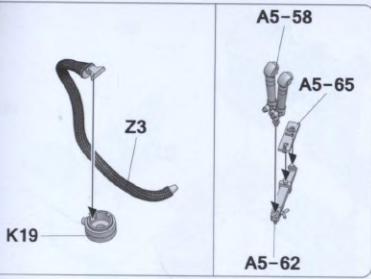
28



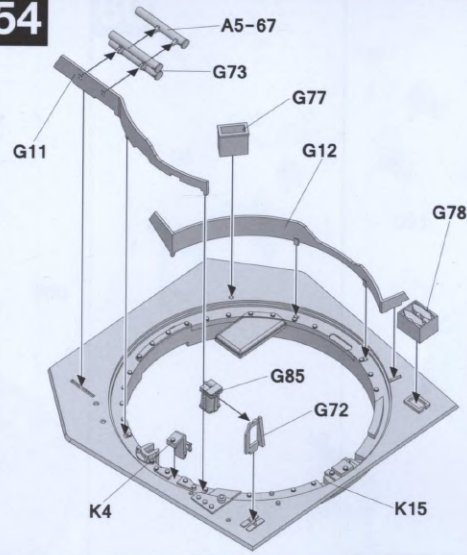
29



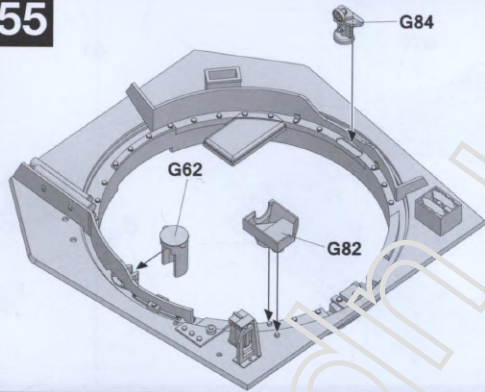
53



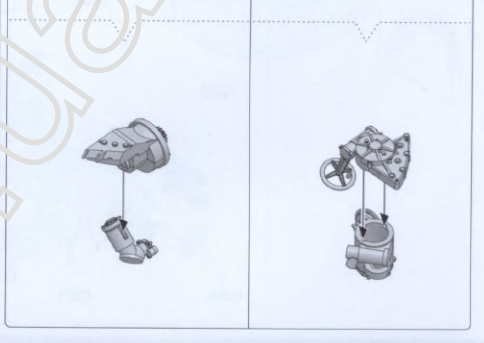
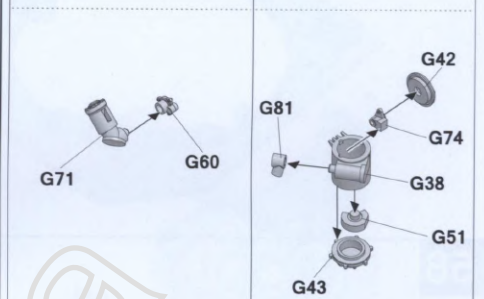
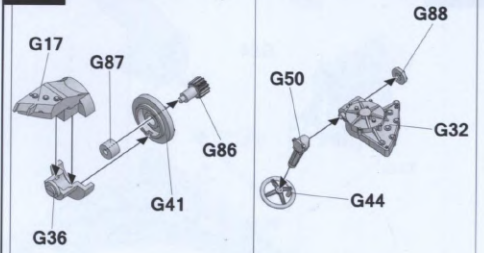
54



55

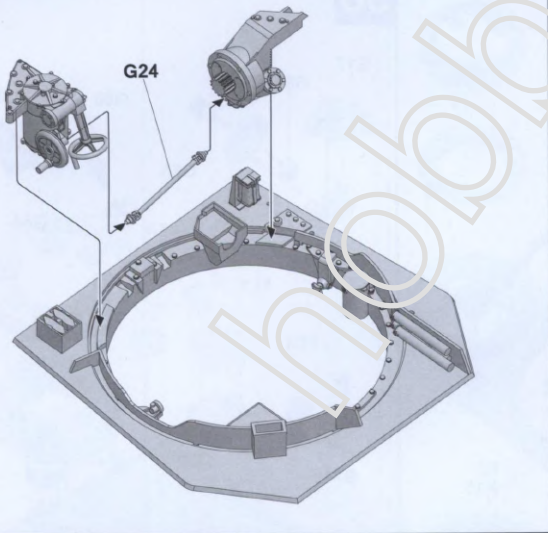


56

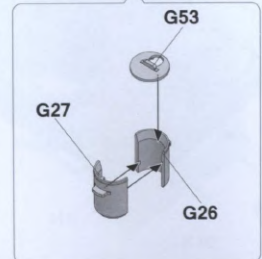
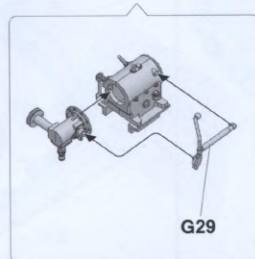
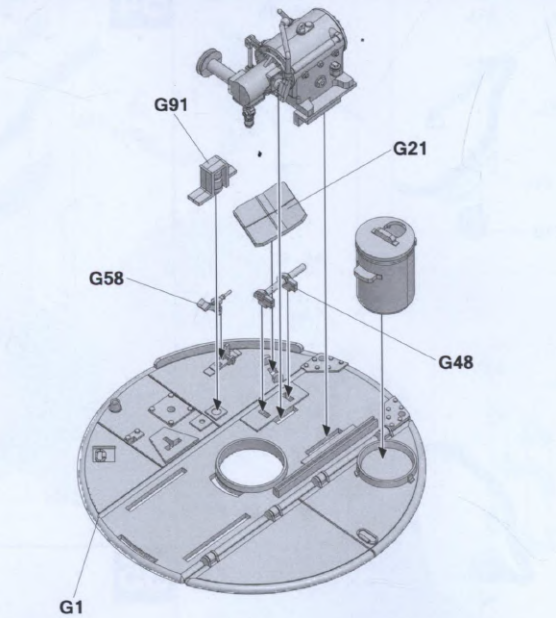
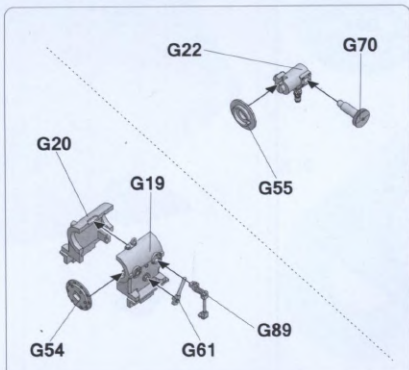


32

57

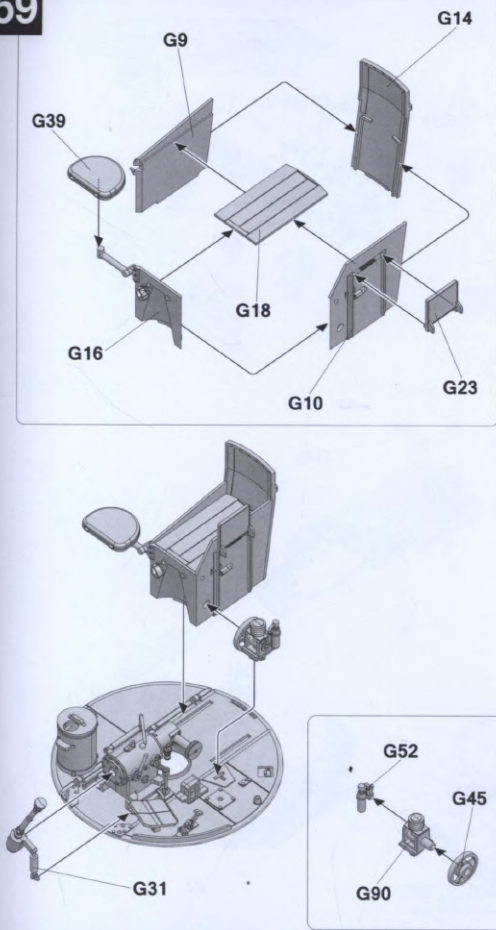


58

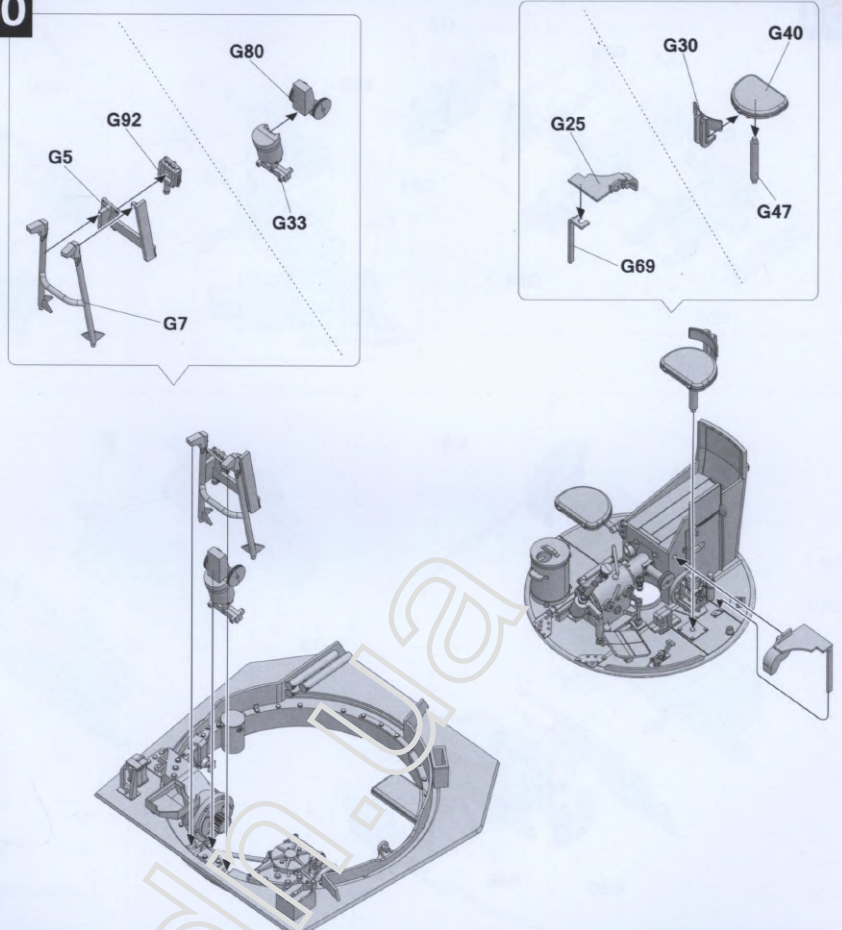


33

59

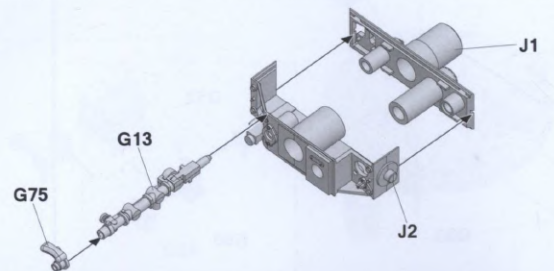
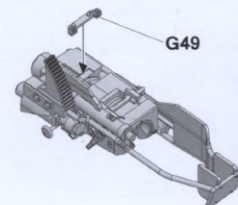
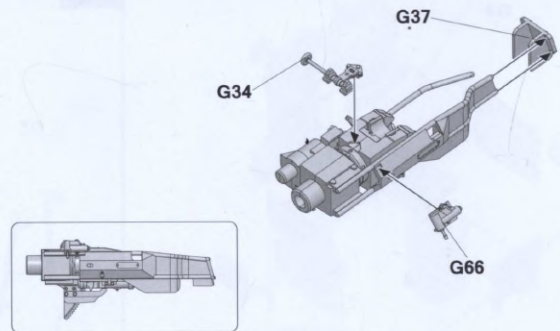
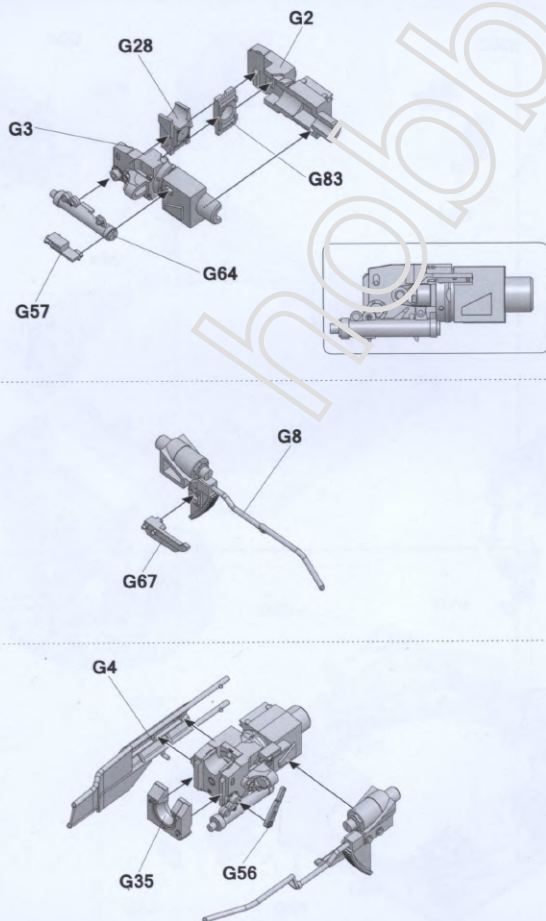


60



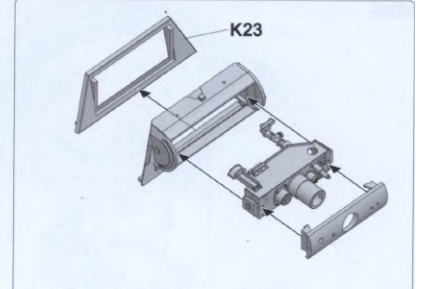
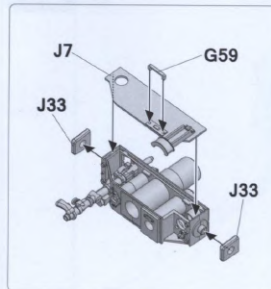
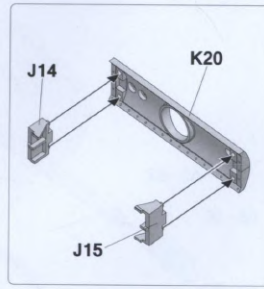
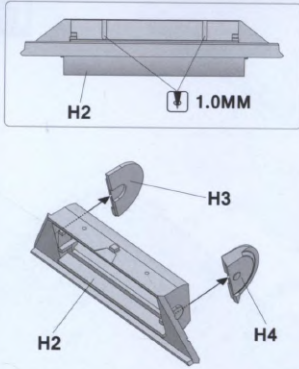
34

61



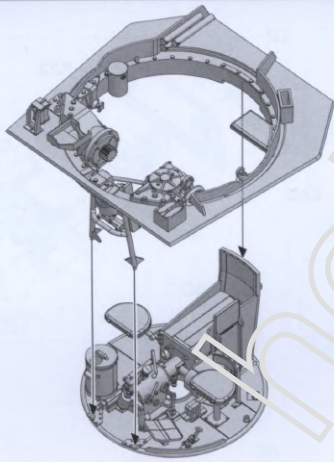
35

62

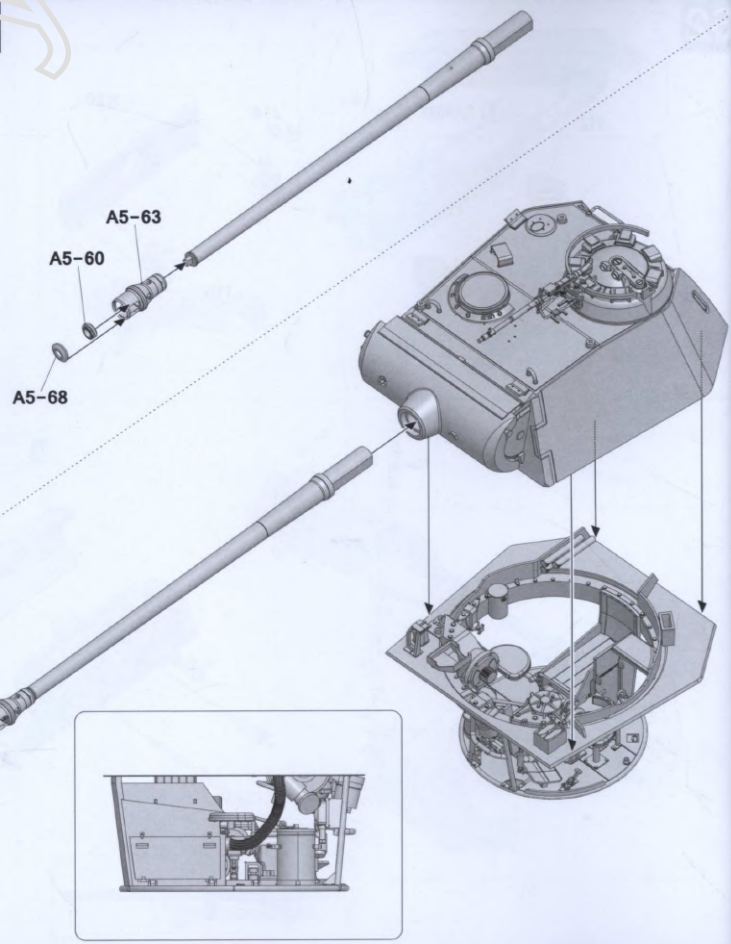


36

63

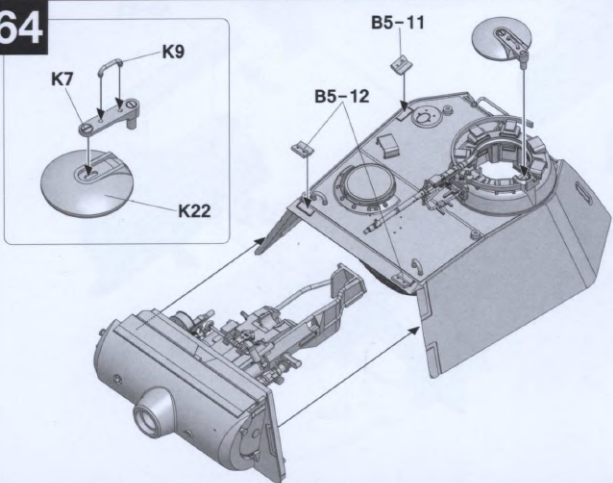


65

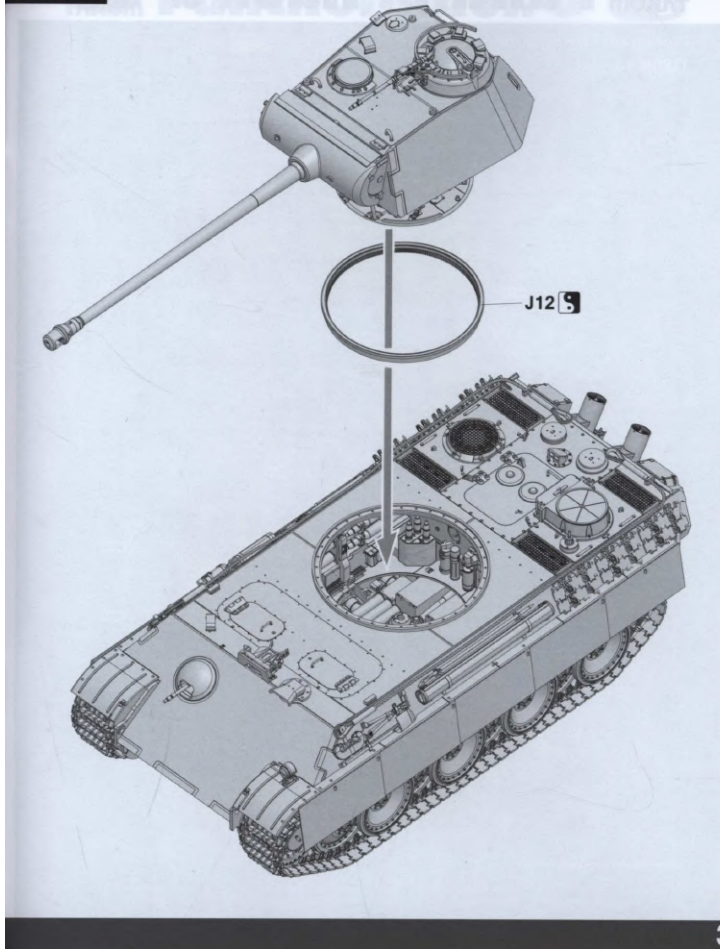


37

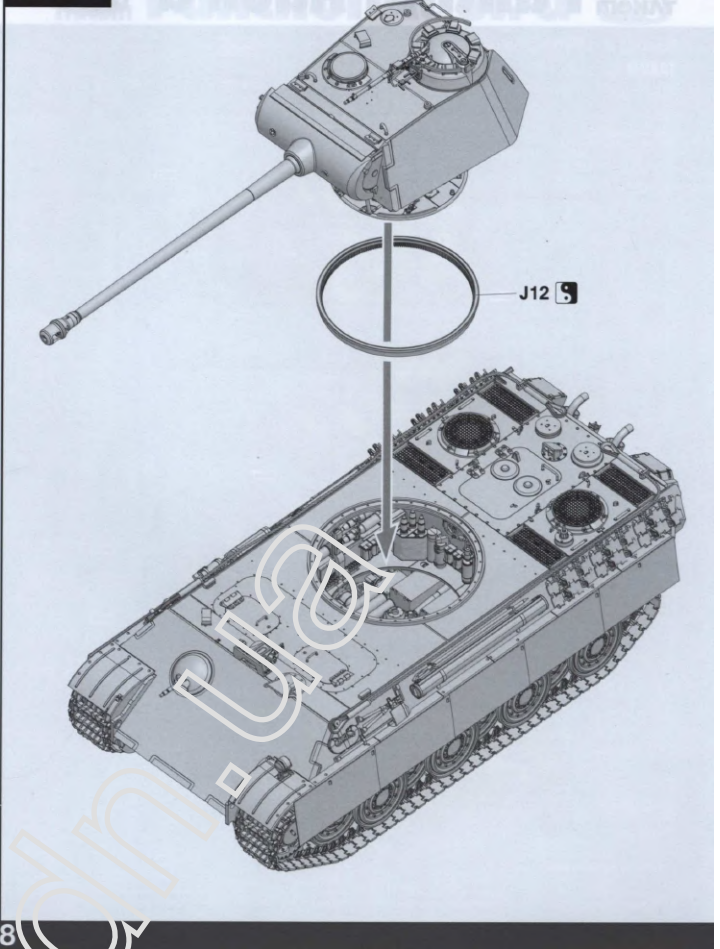
64



66-1



66-2



38

03.03.2120
TAKOM Panther Ausf. G
www.migjimez.com

Painting and Marking Guide
TAKOM Ref: 2120
Panther G Mid
II./Panzer Regiment 130,
Lehr, Ardennes, December 1944

03.03.2120
TAKOM Panther Ausf. G
www.migjimez.com

Painting and Marking Guide
TAKOM Ref: 2120
Panther G Mid
I./SS-Panzer Regiment 2, Trup de Loop,
Grandmenil, Ardennes, December 1944

A.MIG-0033 Rubber & Tire	A.MIG-0035 Dark Tracks	A.MIG-0036 Old Wood	A.MIG-0037 New Wood
A.MIG-0040 Medium Bush	A.MIG-0041 Gun Metal	A.MIG-0092 Crystal	A.MIG-0096 Crystal
A.MIG-0092 Crystal	A.MIG-0096 Crystal	A.MIG-0096 Crystal	A.MIG-0096 Crystal

A.MIG-0033 Rubber & Tire	A.MIG-0035 Dark Tracks	A.MIG-0037 New Wood	A.MIG-0070 Medium Bush
A.MIG-0040 Medium Bush	A.MIG-0041 Gun Metal	A.MIG-0092 Crystal Red	A.MIG-0096 Crystal
A.MIG-0092 Crystal	A.MIG-0096 Crystal	A.MIG-0096 Crystal	A.MIG-0096 Crystal

1 WEATHERING A.MIG-1008 Tank Wash	2 WEATHERING A.MIG-1003 Streaking/Grain Coarse	3 PAINT A.MIG-3010 Rust	4 WASH & OIL A.MIG-1002 Dark Brown Wash for Green
5 PAINT A.MIG-1002 Tracks Wash	6 PAINT A.MIG-3000 Factory Oil Greased	7 WASH & OIL A.MIG-1408 Fresh Engine Oil	8 WEATHERING A.MIG-1002 Dark Brown Wash for Green

1 WEATHERING A.MIG-1008 Tank Wash for Green	2 WEATHERING A.MIG-1003 Streaking/Grain	3 PAINT A.MIG-1254 Streaking/Grain Rust	4 WASH & OIL A.MIG-1002 Dark Brown Wash for Green
5 PAINT A.MIG-1002 Tracks Wash for 3 Tone Camo	6 PAINT A.MIG-3000 Factory Oil Greased	7 WASH & OIL A.MIG-3028 City Dark Dust	8 WEATHERING A.MIG-1002 Dark Brown Wash for Green

03.03.2120



Panther Ausf. G

www.migimenez.com



Painting and Marking Guide

TAKOM Ref: 2120

Panther G Mid

1./SS Panzer Regiment 12,
Hilferjagd, Ardennes, December 1944

- AMIG-0033 Rubber & Tires
- AMIG-0038 Dark Tracks
- AMIG-0038 Light Wood
- AMIG-0070 Medium Brown
- AMIG-0040 Medium Rust
- AMIG-0045 Gun Metal
- AMIG-0092 Crystal Red
- AMIG-0096 Crystal Pastel Green
- AMIG-0002 Chignin Cap 2
- AMIG-0010 Darkblauh (Mid war)
- AMIG-0015 Stahlblau



WEATHERING STEPS WITH AMMO PRODUCTS

- GENERAL WASH**
A.MIG-1502 Dark Brown Wash for Green vehicles
- STRIPPING**
A.MIG-1253 Stripping/brusher Cleaner
- RUST**
A.MIG-1254 Stripping/brusher Rust Effects
- WASH & SPLASHES**
A.MIG-1703 Rust Guard; A.MIG-1702 Laser Guard
- TRACK WASH**
A.MIG-1502 Tracks Wash
- ENGINE & OIL**
A.MIG-1408 Fresh Engine Oil
- WHEELS & SPLASHES**
A.MIG-1704 Heavy Earth; A.MIG-1703 Tanned Oil
- SHADE & OIL**
A.MIG-1408 Fresh Engine Oil

03.03.2120



Panther Ausf. G

www.migimenez.com



Painting and Marking Guide

TAKOM Ref: 2120

Panther G Mid

Panzer Regiment 'Grossdeutschland',
Neidenburg, East Prussia, 1945

- AMIG-0033 Rubber & Tires
- AMIG-0038 Dark Tracks
- AMIG-0038 Old Wood
- AMIG-0070 Medium Brown
- AMIG-0040 Washable White Camo
- AMIG-0045 Gun Metal
- AMIG-0092 Crystal Red
- AMIG-0096 Crystal Pastel Green
- AMIG-0002 Chignin Cap 2
- AMIG-0010 Darkblauh (Mid war)
- AMIG-0015 Stahlblau



WEATHERING STEPS WITH AMMO PRODUCTS

- GENERAL WASH**
A.MIG-1502 Dark Brown Wash for White vehicles
- STRIPPING**
A.MIG-1253 Stripping/brusher Cleaner for White vehicles
- RUST**
A.MIG-1254 Rust
- WASH & SPLASHES**
A.MIG-1703 Rust Guard; A.MIG-1702 Laser Guard
- TRACK WASH**
A.MIG-1502 Tracks Wash
- ENGINE & OIL**
A.MIG-1408 Fresh Engine Oil
- WHEELS & SPLASHES**
A.MIG-1704 Heavy Earth; A.MIG-1703 Tanned Oil
- SHADE & OIL**
A.MIG-1408 Fresh Engine Oil

03.03.2120



Panther Ausf. G

www.migimenez.com



Painting and Marking Guide

TAKOM Ref: 2120

Panther G Mid

8./Panzer Regiment 33, 9th Panzer Division,
Ardennes, December 1944

- AMIG-0033 Rubber & Tires
- AMIG-0038 Dark Tracks
- AMIG-0038 New Wood
- AMIG-0070 Medium Brown
- AMIG-0040 Medium Rust
- AMIG-0045 Gun Metal
- AMIG-0092 Crystal Red
- AMIG-0096 Crystal Pastel Green
- AMIG-0002 Freshlight
- AMIG-0010 Darkblauh (Mid war)
- AMIG-0015 Stahlblau



WEATHERING STEPS WITH AMMO PRODUCTS

- GENERAL WASH**
A.MIG-1502 Dark Brown Wash for Green vehicles
- STRIPPING**
A.MIG-1253 Stripping/brusher Cleaner
- RUST**
A.MIG-1254 Rust
- WASH & SPLASHES**
A.MIG-1703 Rust Guard; A.MIG-1702 Laser Guard
- TRACK WASH**
A.MIG-1502 Tracks Wash
- ENGINE & OIL**
A.MIG-1408 Fresh Engine Oil
- WHEELS & SPLASHES**
A.MIG-1704 Heavy Earth; A.MIG-1703 Tanned Oil
- SHADE & OIL**
A.MIG-1408 Fresh Engine Oil

03.03.2120



Panther Ausf. G

www.migimenez.com



Painting and Marking Guide

TAKOM Ref: 2120

Panther G Mid

3./Panzer Regiment 3,
Plochingen, Luxembourg, December 1944

- AMIG-0033 Rubber & Tires
- AMIG-0038 Dark Tracks
- AMIG-0038 Light Wood
- AMIG-0070 Medium Brown
- AMIG-0040 Medium Rust
- AMIG-0045 Gun Metal
- AMIG-0092 Crystal Red
- AMIG-0096 Crystal Pastel Green
- AMIG-0002 Chignin Cap 1
- AMIG-0010 Darkblauh (Mid war)
- AMIG-0015 Stahlblau



WEATHERING STEPS WITH AMMO PRODUCTS

- GENERAL WASH**
A.MIG-1502 Dark Brown Wash for Green vehicles
- STRIPPING**
A.MIG-1253 Stripping/brusher Cleaner Green-City Colors
- RUST**
A.MIG-1254 Stripping/brusher Rust
- WASH & SPLASHES**
A.MIG-1703 Rust Guard; A.MIG-1702 Laser Guard
- TRACK WASH**
A.MIG-1502 Tracks Wash
- ENGINE & OIL**
A.MIG-1408 Fresh Engine Oil
- WHEELS & SPLASHES**
A.MIG-1704 Heavy Earth; A.MIG-1703 Tanned Oil
- SHADE & OIL**
A.MIG-1408 Fresh Engine Oil

03.03.2120



Panther Ausf. G

www.migimenez.com



Painting and Marking Guide

TAKOM Ref: 2120

Panther G Mid / Steel Wheel

1/35 Panther Regiment 22, Oberhofen-sur-Moder, France, May 1945

- A.MIG-0033 Dark Tracks
- A.MIG-0043 Gun Metal
- A.MIG-0038 Light Wood
- A.MIG-0070 Medium Brown
- A.MIG-0040 Medium Rust
- A.MIG-0072 Crystal Red
- A.MIG-0096 Crystal Petrol Green
- A.MIG-0003 Duller Gun 2
- A.MIG-0010 Darklight Red w/
- A.MIG-0015 Multicolor
- A.MIG-0024 White & Blue Camo



WEATHERING STEPS WITH AMMO PRODUCTS

- 1 GENERAL WASH**
A.MIG-1001 Neutral Wash
- 2 FILTER**
A.MIG-1001 Grey to White
- 3 STRIPING**
A.MIG-1204 Striking/brusher White Oxide
- 4 TRACK WASH**
A.MIG-1002 Tracks Wash
- 5 RUST**
A.MIG-1204 Striking/brusher Rust
- 6 RUST**
A.MIG-3029 Water Sol
- 7 RUST & SPLASHES**
A.MIG-1001 Heavy Earth / A.MIG-1058 Dirty Earth
- 8 BRASS & OIL**
A.MIG-1408 Fresh Engine Oil

03.03.2120



Panther Ausf. G

www.migimenez.com



Painting and Marking Guide

TAKOM Ref: 2120

Panther G Mid / Steel Wheel

1/35 Panther Regiment 1, Grafenwohr, Germany, October 1944

- A.MIG-0033 Dark Tracks
- A.MIG-0043 Gun Metal
- A.MIG-0037 New Wood
- A.MIG-0070 Medium Brown
- A.MIG-0040 Medium Rust
- A.MIG-0072 Crystal Red
- A.MIG-0096 Crystal Petrol Green
- A.MIG-0003 Duller Gun 2
- A.MIG-0010 Darklight Red w/
- A.MIG-0015 Multicolor
- A.MIG-0024 White & Blue Camo



WEATHERING STEPS WITH AMMO PRODUCTS

- 1 GENERAL WASH**
A.MIG-1001 Neutral Wash
- 2 FILTER**
A.MIG-1001 Grey to White
- 3 STRIPING**
A.MIG-1204 Dark Striking Oxide
- 4 TRACK WASH**
A.MIG-1002 Tracks Wash
- 5 RUST**
A.MIG-1204 Striking/brusher Rust
- 6 RUST**
A.MIG-3029 Factory DM Ground
- 7 RUST & SPLASHES**
A.MIG-1001 Heavy Earth / A.MIG-1058 Dirty Earth
- 8 BRASS & OIL**
A.MIG-1408 Fresh Engine Oil

03.03.2120



Panther Ausf. G

www.migimenez.com



Painting and Marking Guide

TAKOM Ref: 2120

Panther G Mid / Steel Wheel

2/35 Panther Regiment 1, Stoumont, Belgium, December 1944

- A.MIG-0033 Dark Tracks
- A.MIG-0043 Gun Metal
- A.MIG-0038 Light Wood
- A.MIG-0070 Medium Brown
- A.MIG-0040 Medium Rust
- A.MIG-0072 Crystal Red
- A.MIG-0096 Crystal Petrol Green
- A.MIG-0003 Duller Gun 2
- A.MIG-0010 Darklight Red w/
- A.MIG-0015 Multicolor
- A.MIG-0024 White & Blue Camo



WEATHERING STEPS WITH AMMO PRODUCTS

- 1 GENERAL WASH**
A.MIG-1001 Dark Brown Wash for Green washes
- 2 FILTER**
A.MIG-1018 Tan to 3 Tone Camo
- 3 STRIPING**
A.MIG-1203 Striking/brusher Green
- 4 TRACK WASH**
A.MIG-1002 Tracks Wash
- 5 RUST**
A.MIG-1204 Striking/brusher Rust
- 6 RUST**
A.MIG-3030 Rubble
- 7 RUST & SPLASHES**
A.MIG-1001 Heavy Earth / A.MIG-1052 Low Ground
- 8 BRASS & OIL**
A.MIG-1408 Fresh Engine Oil

PANTHER Ausf.G

Late Production

w/IR & Air Defense Armour

A DETAILED STATIC DISPLAY PLASTIC MODEL
A TRACK ASSEMBLY IS AIDED WITH THE USE OF A JIG
A LINK & LENGTH STYLE TRACKS INCLUDED
ALL HATCHES CAN BE BUILT IN OPEN OR CLOSED POSITION
A PE INCLUDED
A 7 TYPES OF MARKINGS

Designed by T-Box Studio in China

Full Interior

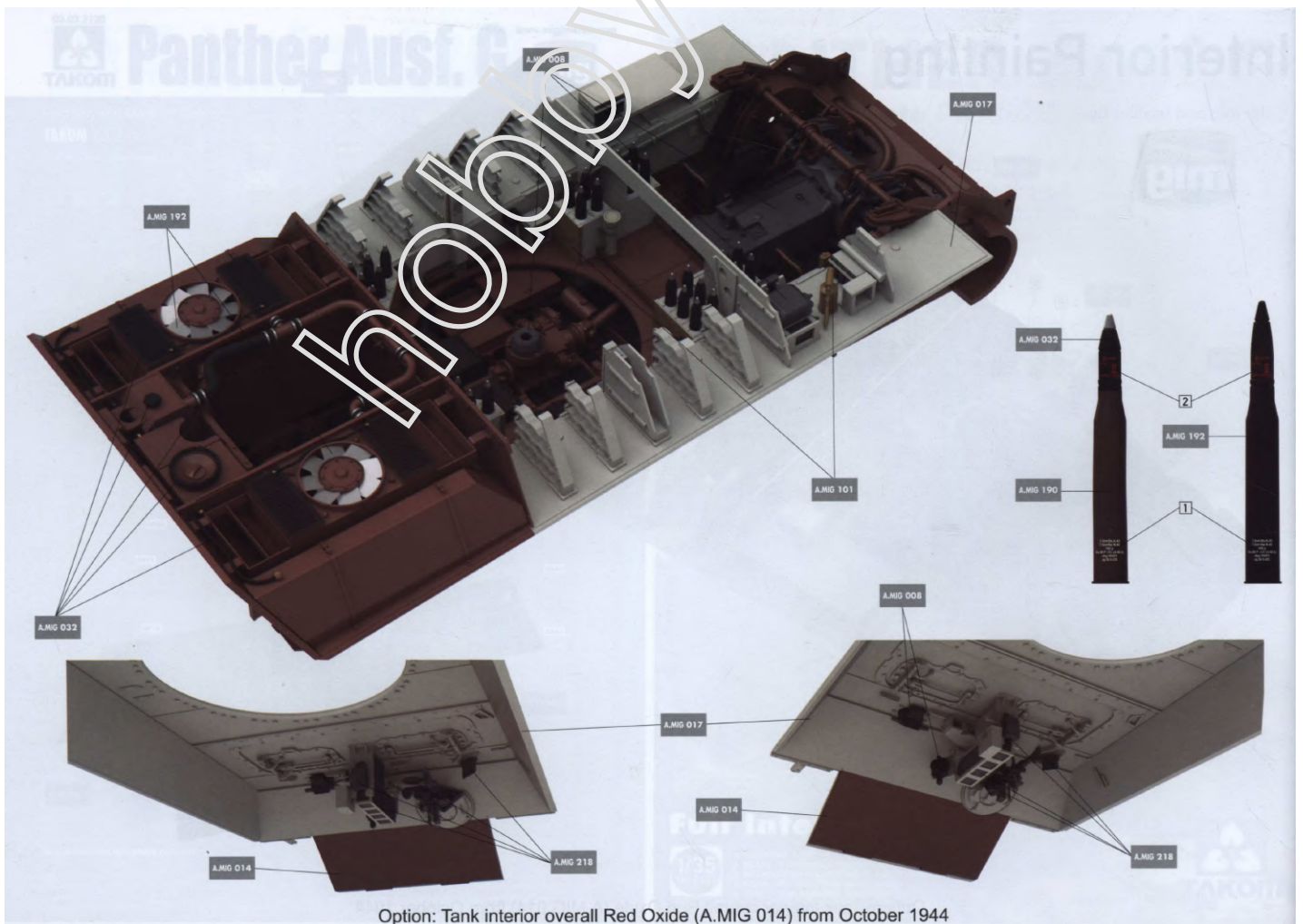
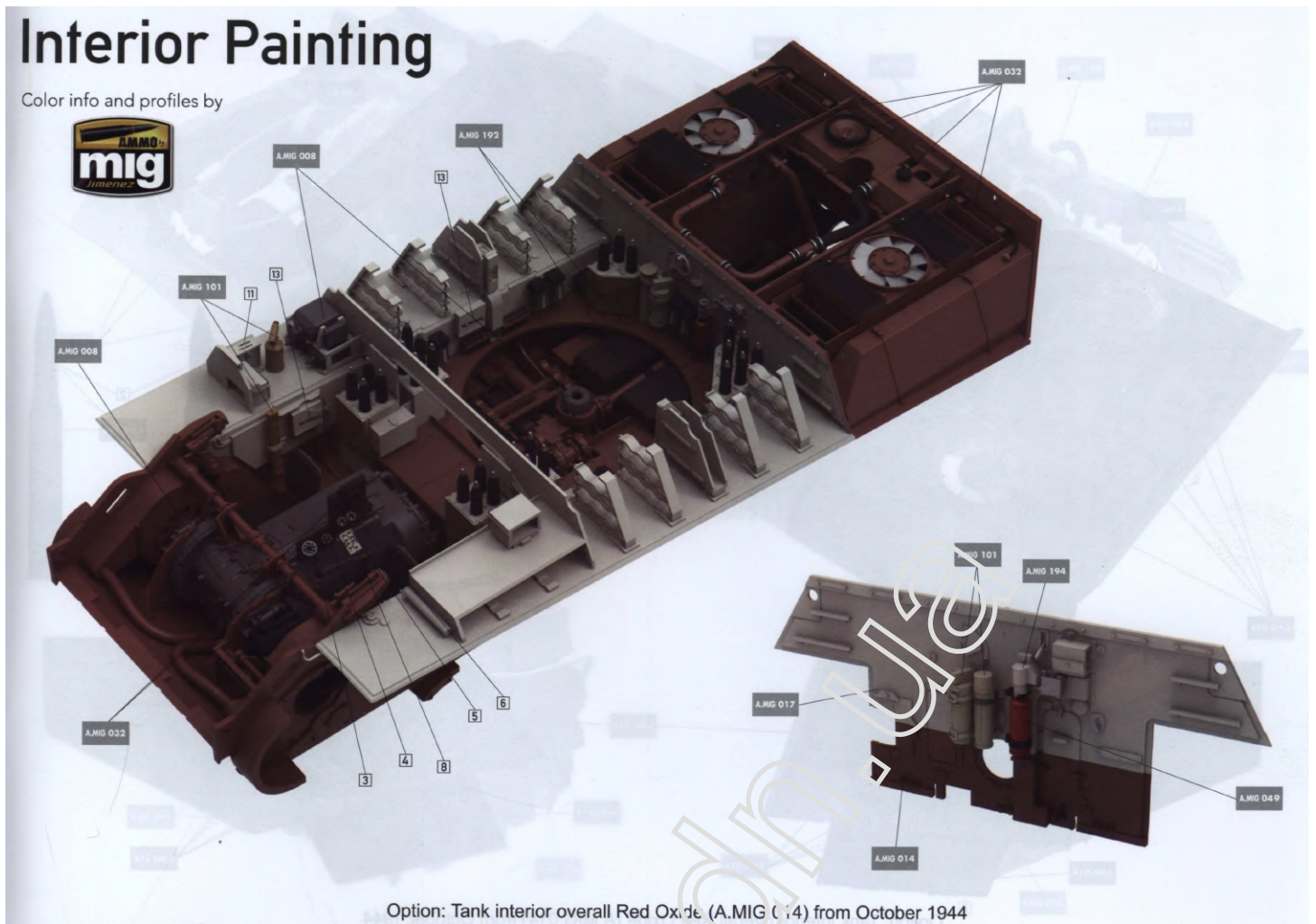
1/35 No.2.121

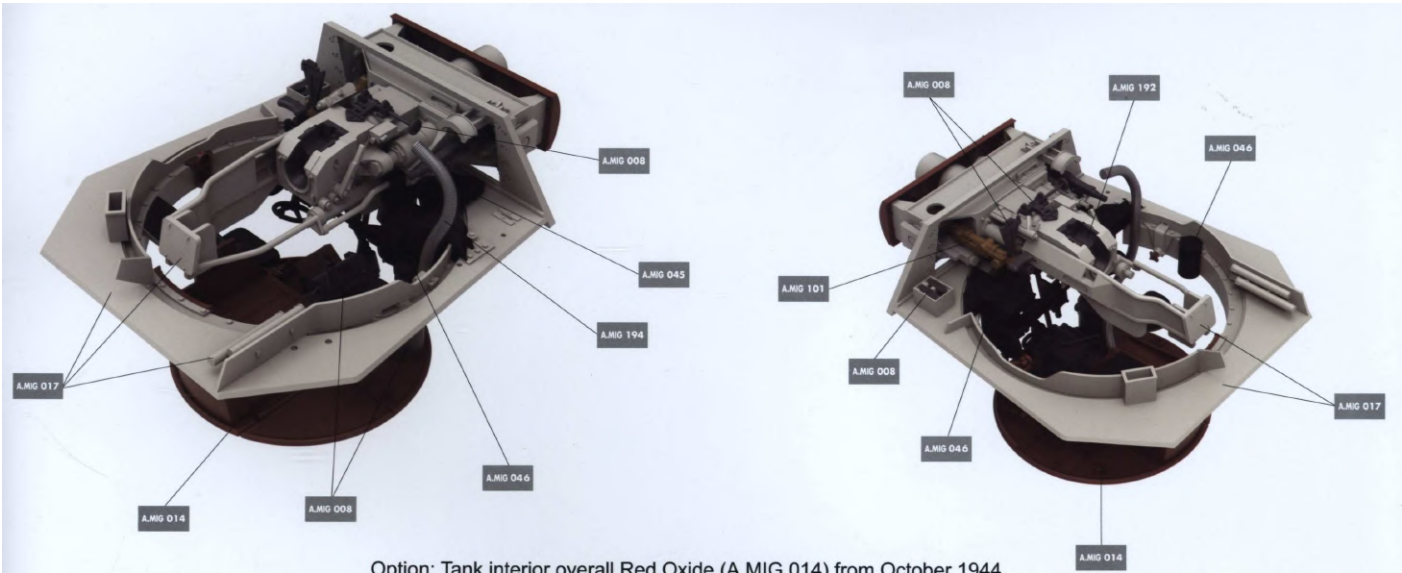
- A THIS IS NOT A TOY
- A READY TO ASSEMBLE PRECISION MODEL KIT
- A INTENDED FOR COLLECTORS OF AGE 14 YEARS AND ABOVE
- A MODEL MAY VARY FROM IMAGE ON BOX
- A GEMENT AND PAINT NOT INCLUDED

JASON 2019

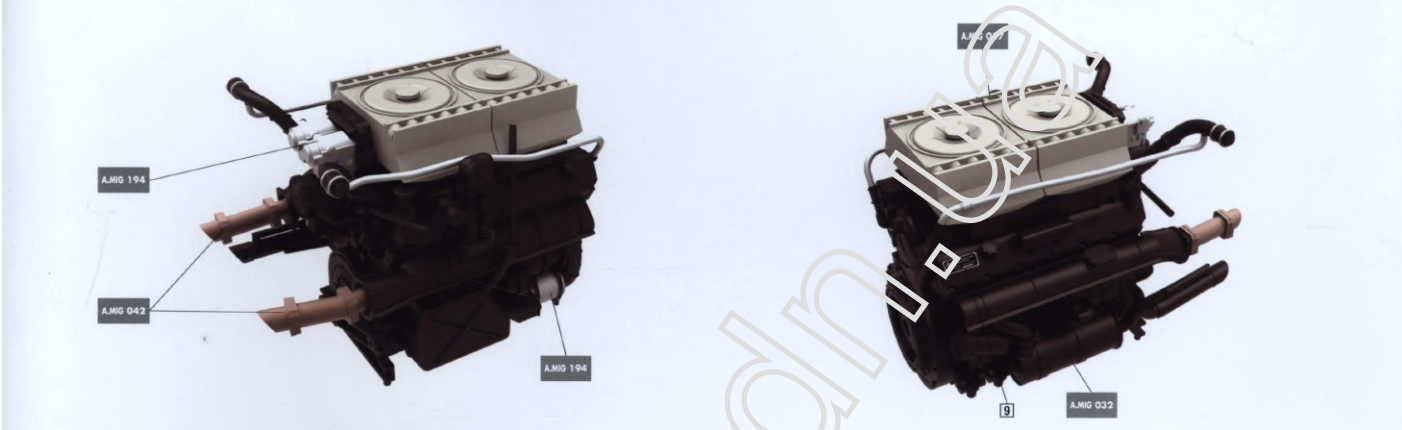
Interior Painting

Color info and profiles by





Option: Tank interior overall Red Oxide (A.MIG 014) from October 1944



hobby.dn