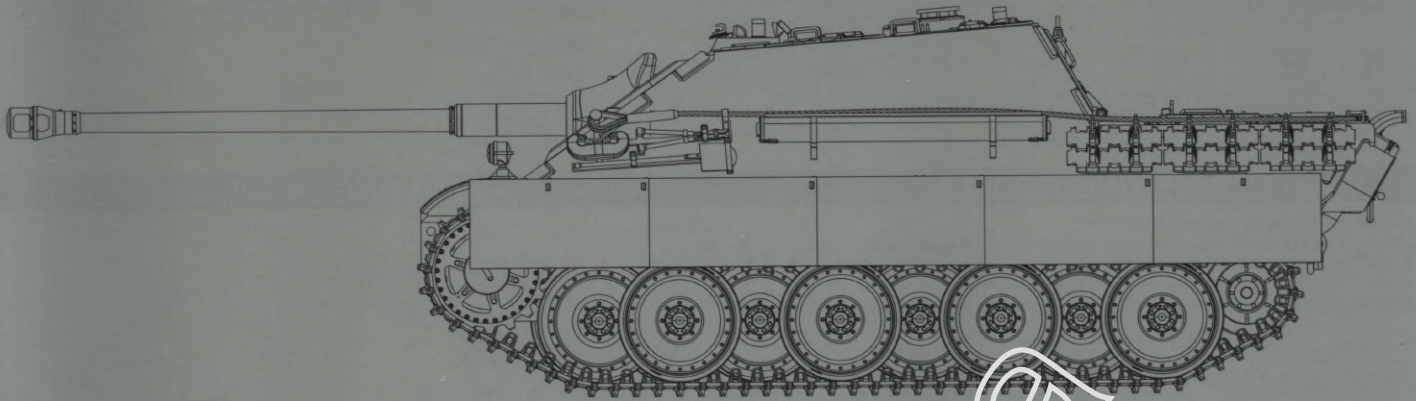


GERMAN TANK DESTROYER Sd.Kfz.173 JAGDPANTHER G1



The 8.8cm Panzerjäger Panther Sd.Kfz. 173, or Jagdpanther, was a heavy tank destroyer based on the chassis of the Panzer V Panther and was armed with the same long-barreled 8.8 cm gun as the Tiger II or 'King Tiger', and a single 7.92 mm MG-34 machine gun in the front glacis plate for local defense. The Jagdpanther had a good power-to-weight ratio and a powerful main gun, which enabled it to destroy any Allied tank. Based on the existing Panther chassis, the vehicle did not suffer too many mechanical problems, and had an upgraded transmission and final drive to counter the Panther's main weakness. The Jagdpanther was powered by the 700hp Maybach HL230 P30 V-12 petrol engine and a 7 speed forward, 1-speed reverse transmission system with a maximum speed of 46 km/h (28.6 mph) and a range of about 200 kilometers (99 miles). It was manned by a crew of five: a driver, radio operator, commander, gunner and a loader.

Two main variants can be distinguished, the earlier (1944 model) G1 with a small internally-bolted main gun mantlet and a modified Panther A engine deck, and the later (1945 model) G2 with a larger, externally-bolted mantlet and a modified Panther G engine deck, though late G1s also had a larger mantlet. Early Jagdpanthers had two vision openings for the driver, whereas late versions had only one. The main gun originally had a monobloc gun barrel, but later versions were equipped with the Panz 43/4 gun with a two-part barrel. Early G1s (to September 1944) were given a distinctive pattern of Zimmer anti-magnetic mine coating.

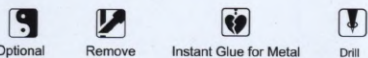
A total of 415 Jagdpanthers were produced from January 1944 by three manufacturers; MIAG produced 270 from January 1944 until the end of the war, Maschinenfabrik Niedersachsen-Hannover (MNH) produced 112 from November 1944; Maschinenbau und Bahnbedarf (MBA) produced 37 vehicles from December 1944.

03.02.2125

READ BEFORE ASSEMBLY

CAUTION

- Read carefully and fully understand the instructions before commencing assembly. A supervising adult should also read the instructions if a child assists in the model.
- When assembling this kit, tools including knives used. Extra care should be taken to avoid personal injury.
- Keep out of reach of small children. Children must not be allowed to suck any part, or pull vinyl bag over their heads.



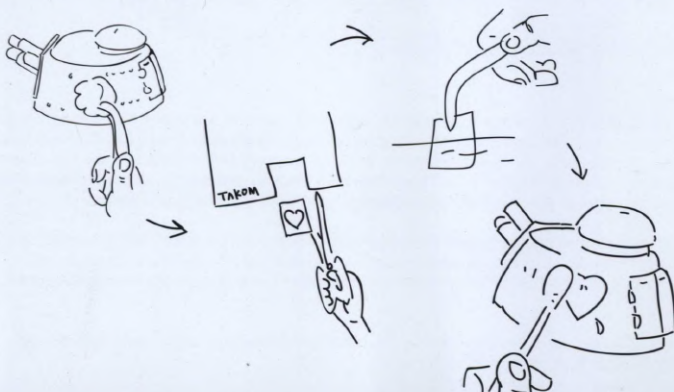
PAINTS REQUIRED

Color info and profiles by Mig Jimenez

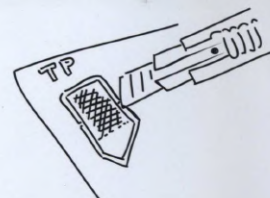
A.MIG 033 Rubber & Tires	A.MIG 035 Dark Tracks	A.MIG 038 Light Wood	A.MIG 041 Dark Rust
A.MIG 045 Gun Metal	A.MIG 096 Crystal Periscope Green	A.MIG 002 Olivegreen Opt.2	A.MIG 016 Dunkelgelb Mid war
A.MIG 014 Schokobraun	A.MIG 036 Old Wood	A.MIG 040 Medium Rust	A.MIG 037 New Wood
A.MIG 008 Dunkelgrau	A.MIG 001 Olivegreen Opt.1		

APPLYING DECALS

1. Clean the model surface with a wet cloth.
2. Cut out each decal design from sheet, and dip it in tepid water for 15-20 sec.
3. Hold the backing sheet edge and slide decal onto the model.
4. Move decal into position by wetting decal with finger.
5. Press decal gently down with a soft cloth until excess water and air bubbles are gone.



REMOVING PE



Be careful not to hurt when removing PE parts.

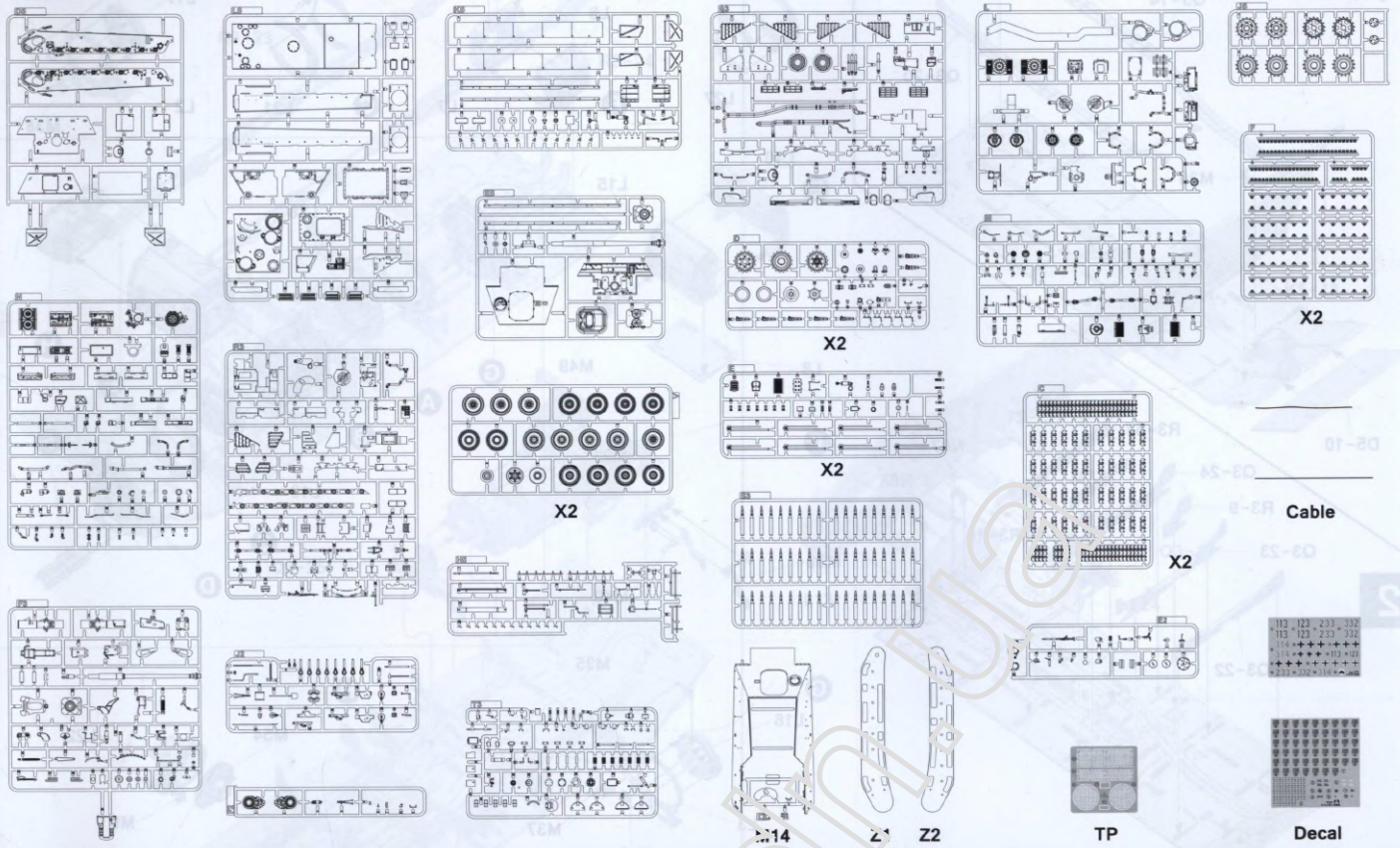


Secure using instant glue (not included).

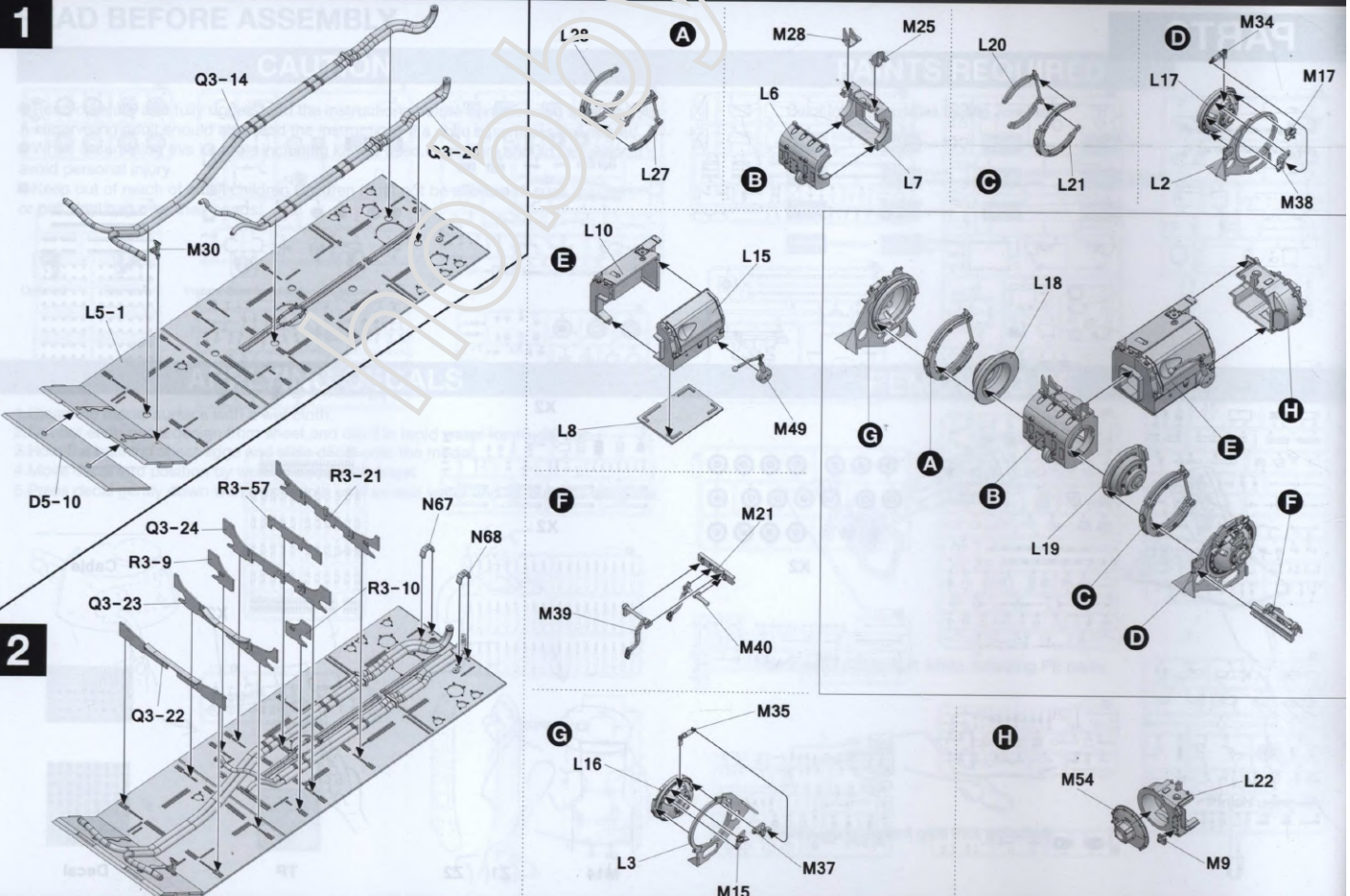


Finish using file.

PARTS

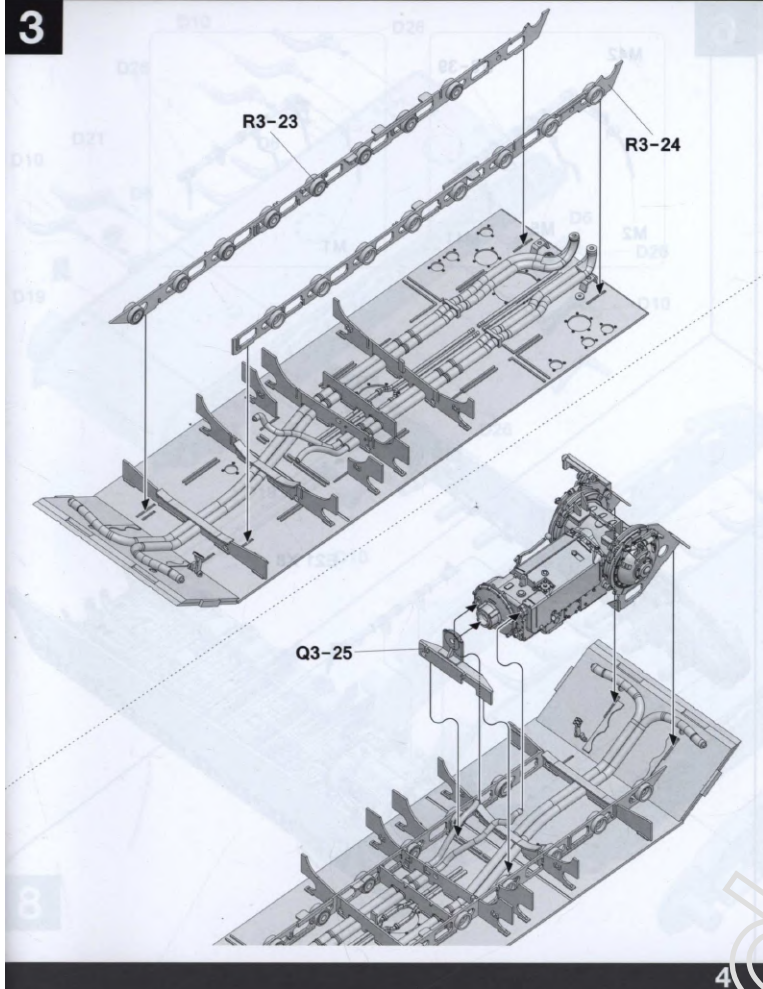


2

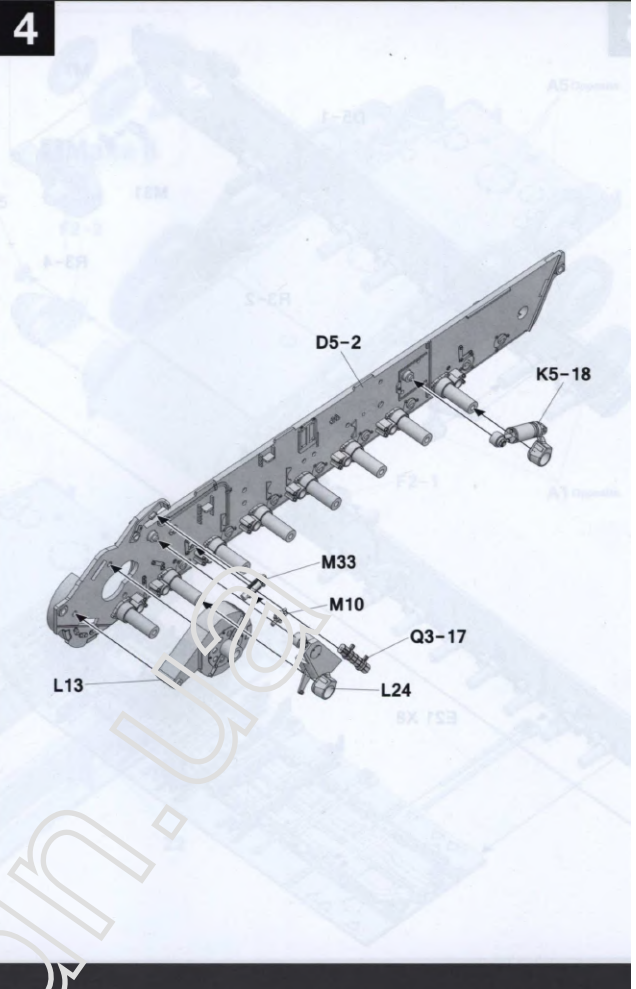


3

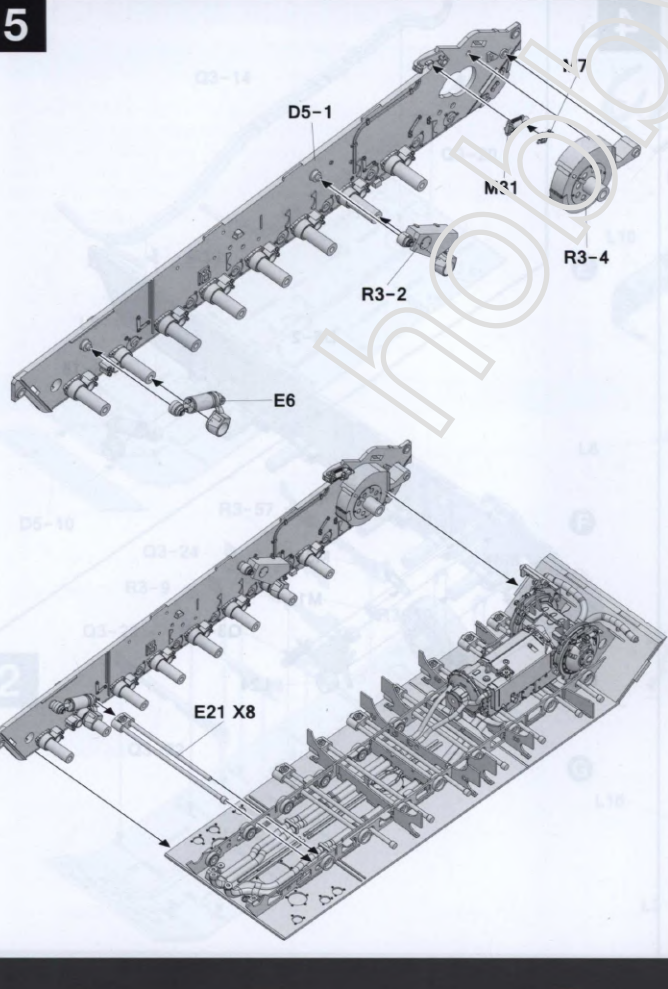
3



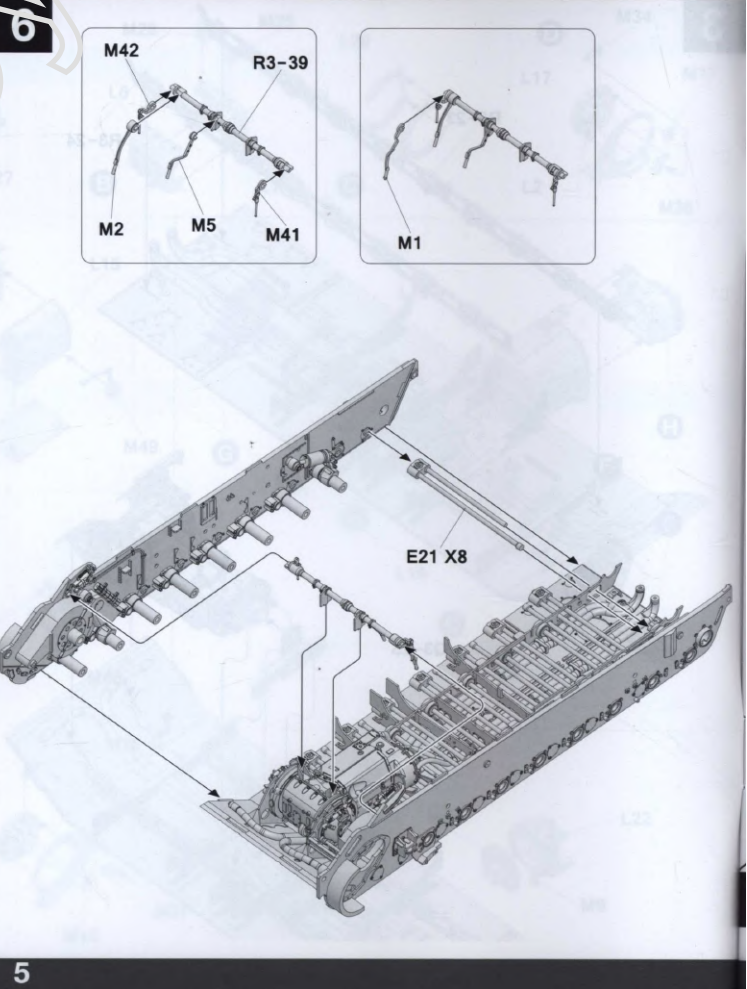
4



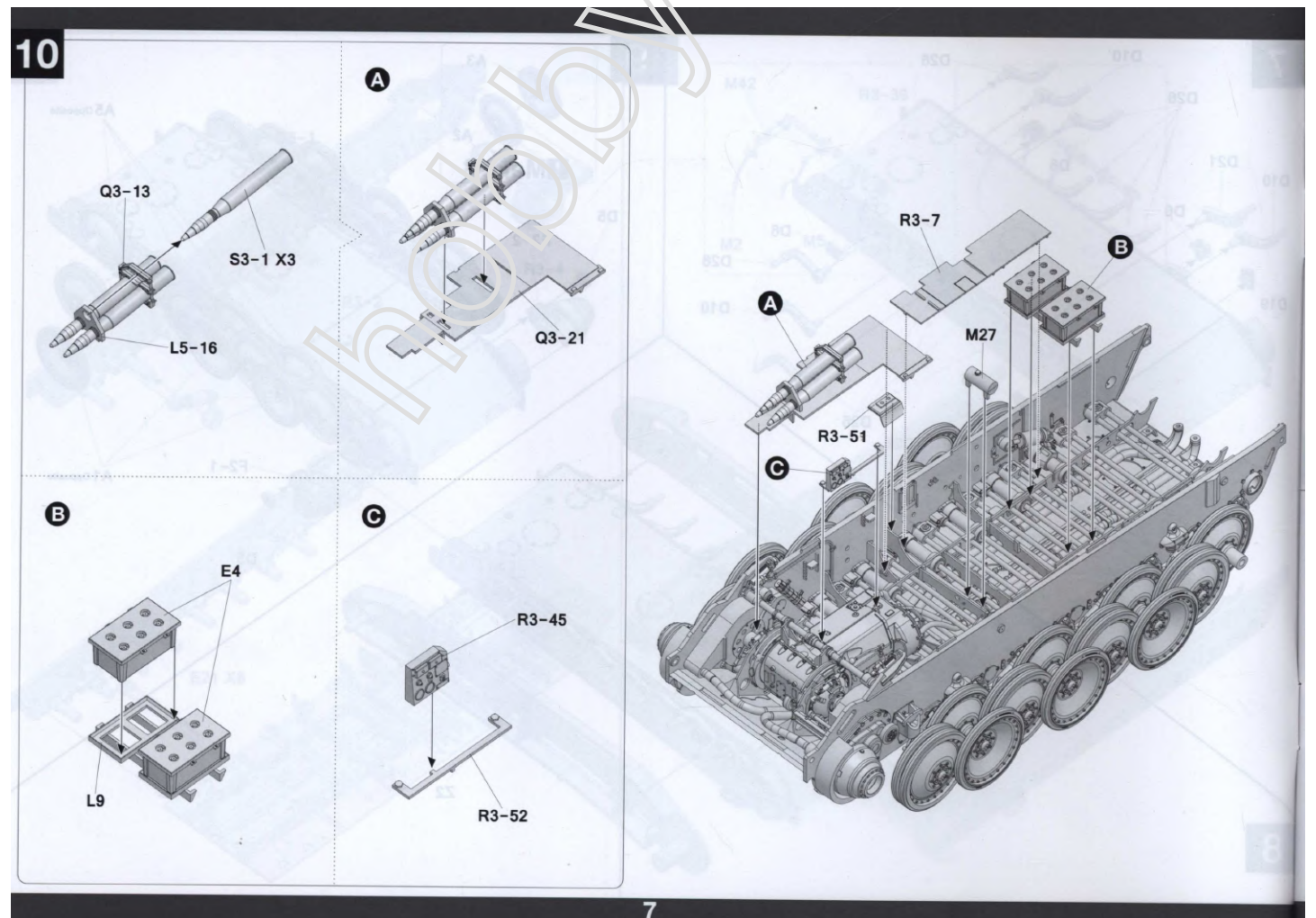
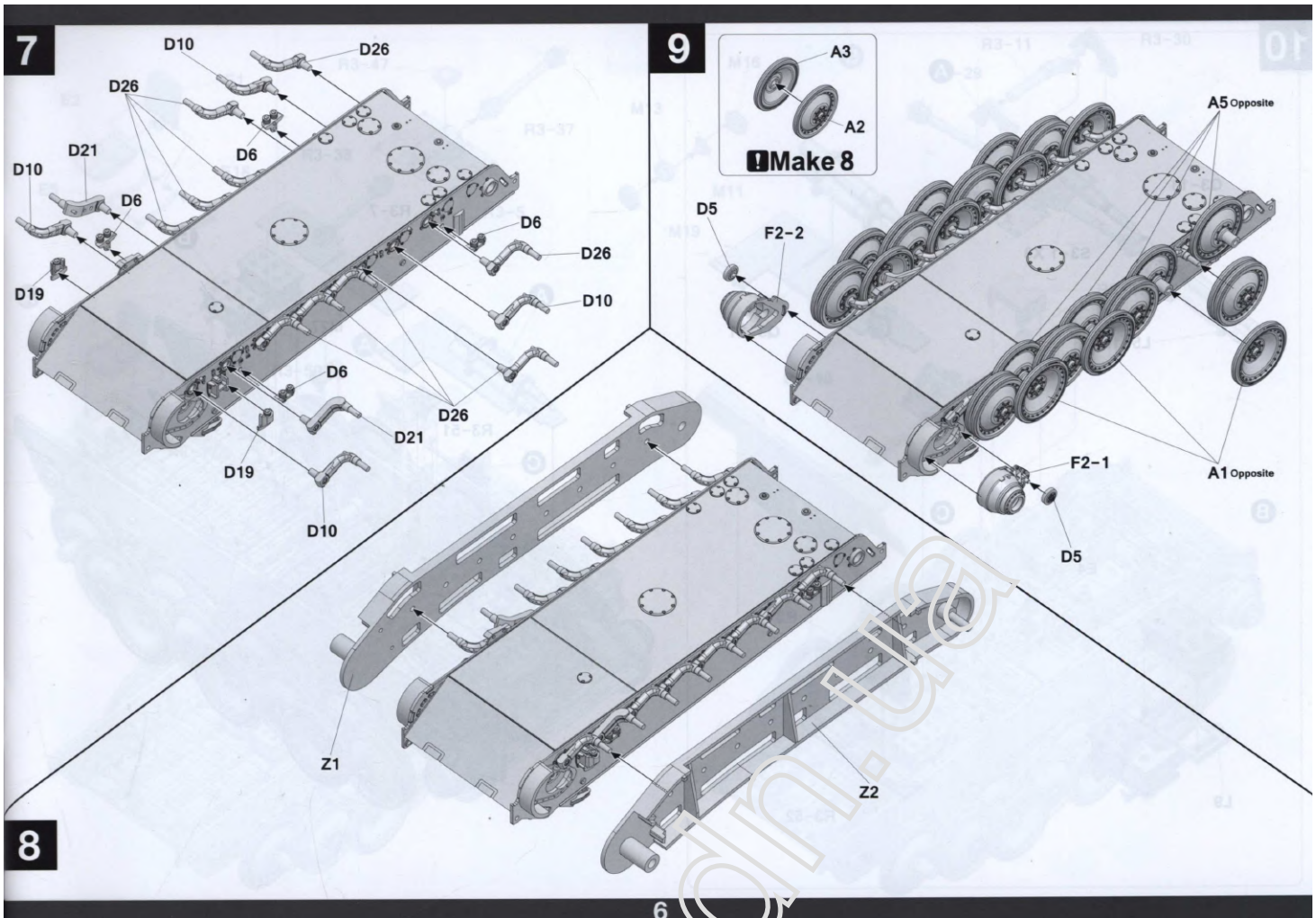
5



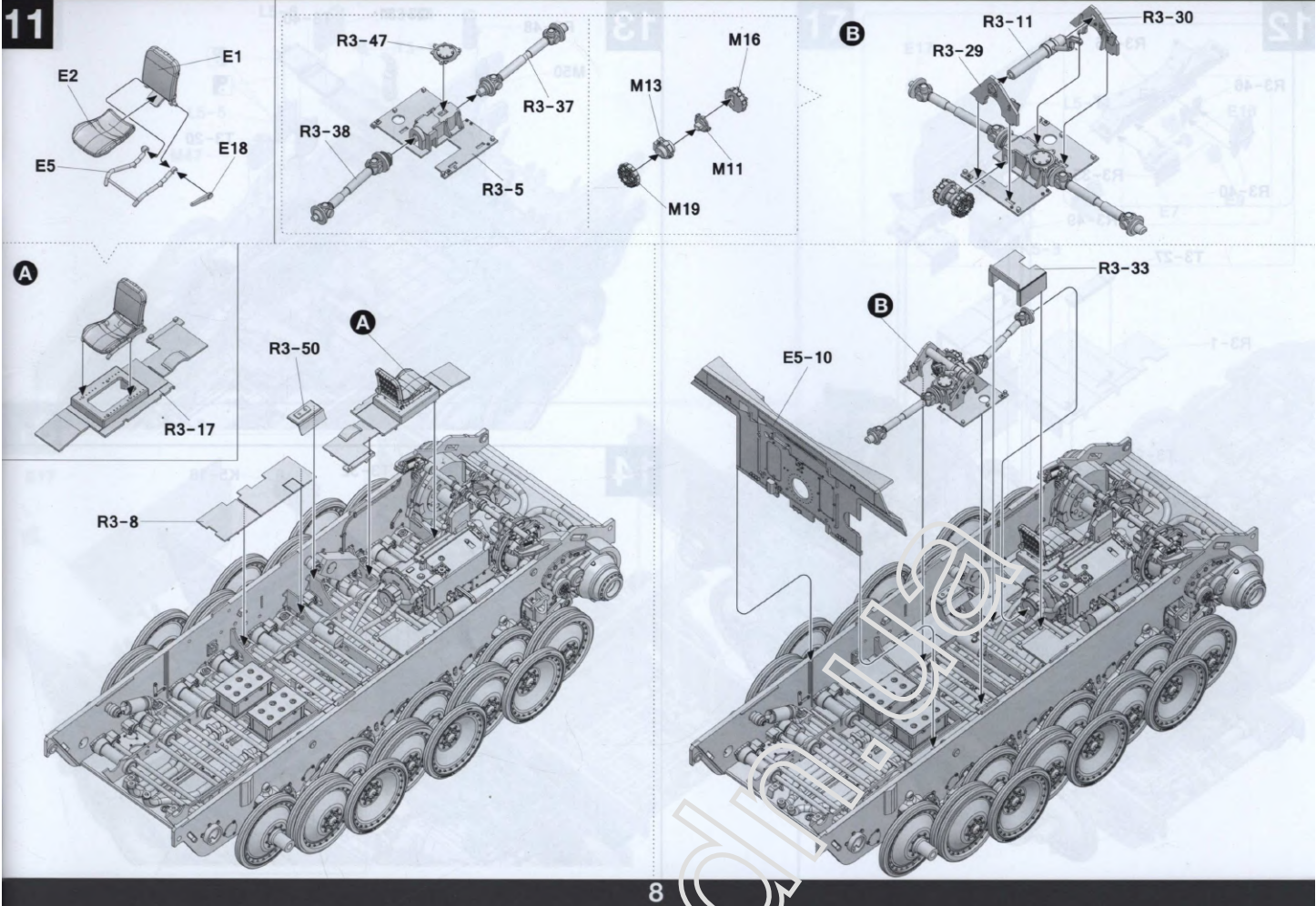
6



5

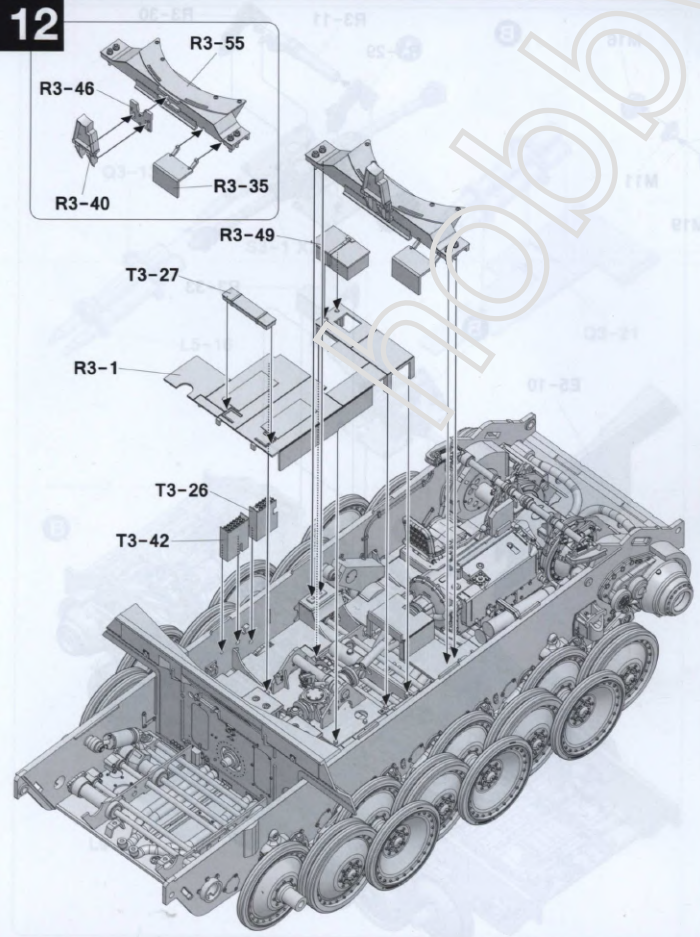


11

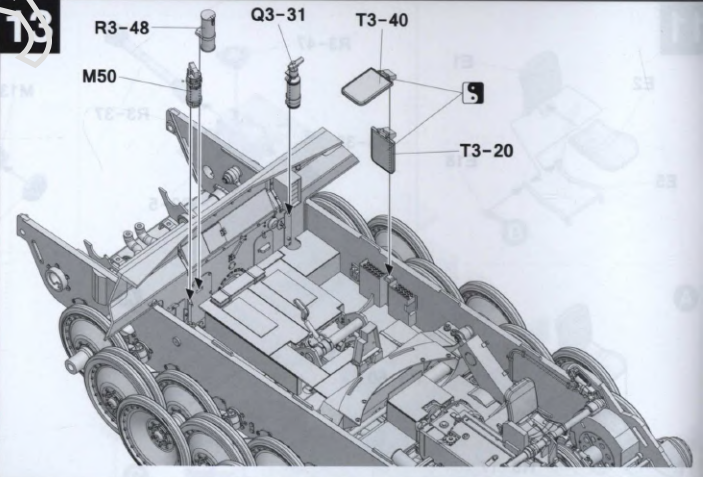


8

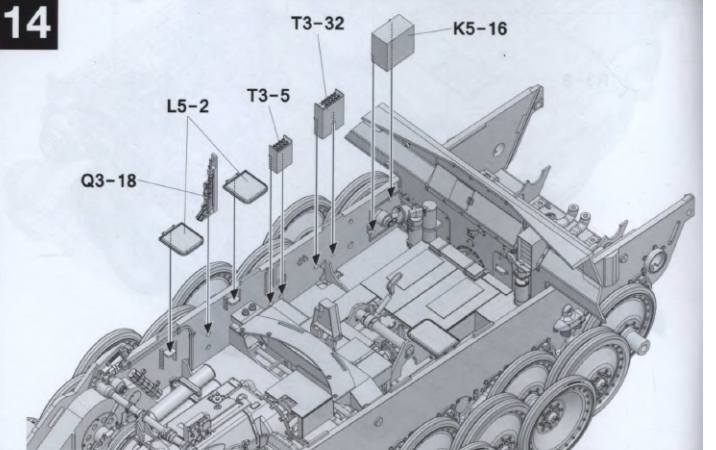
12



13

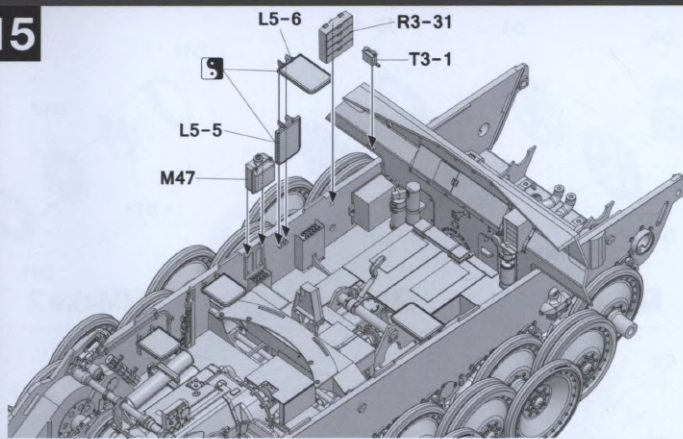


14

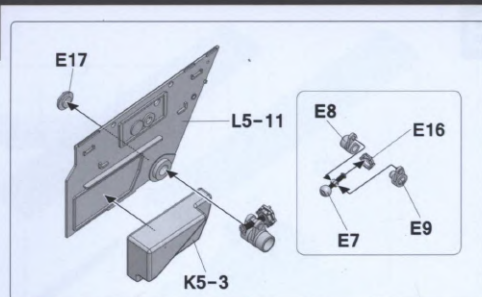


9

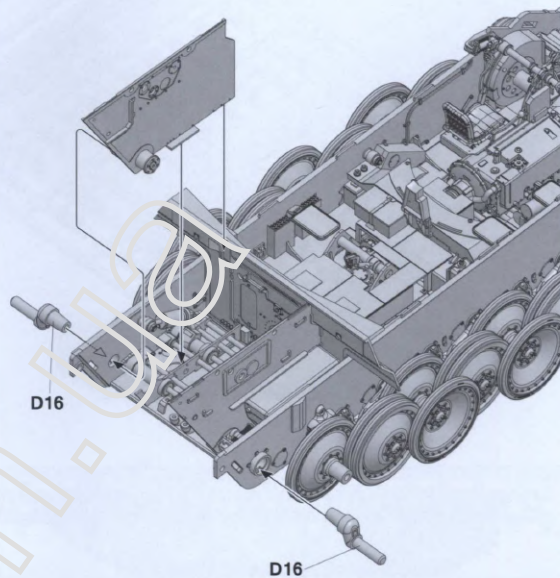
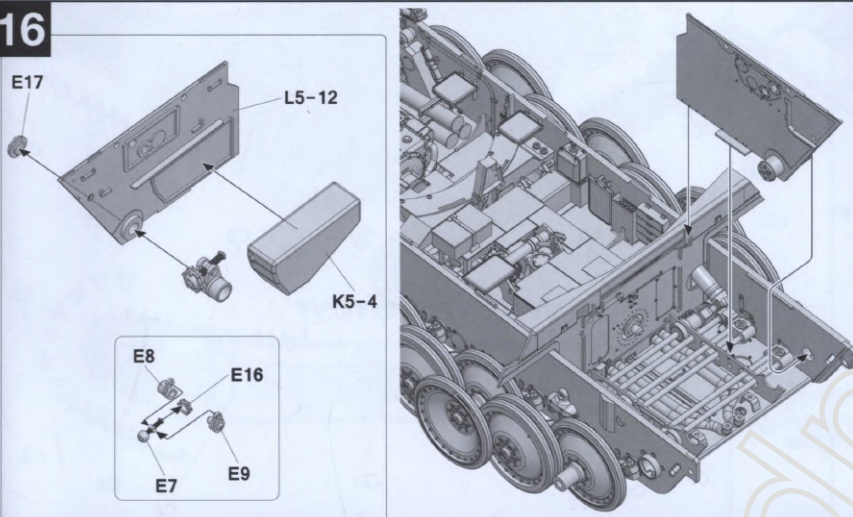
15



17

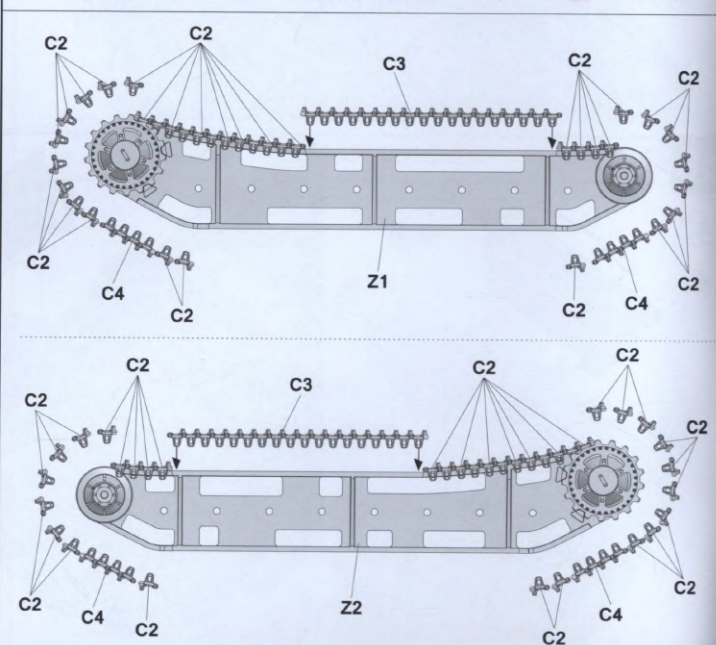
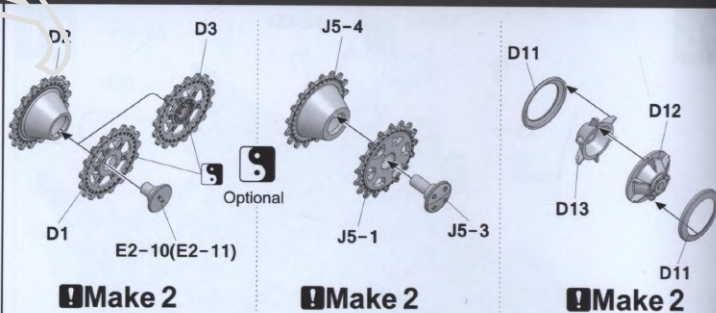
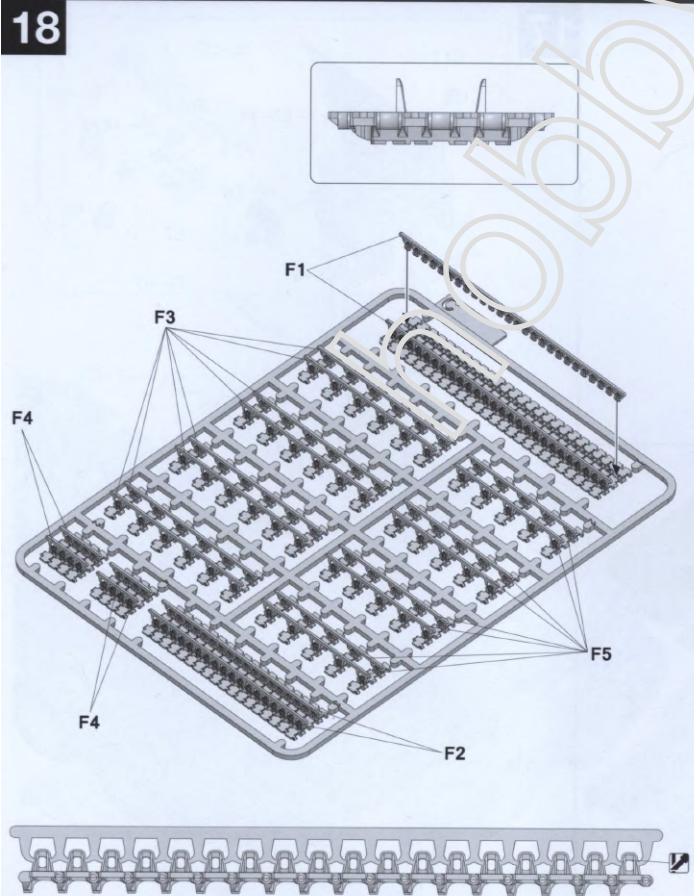


16



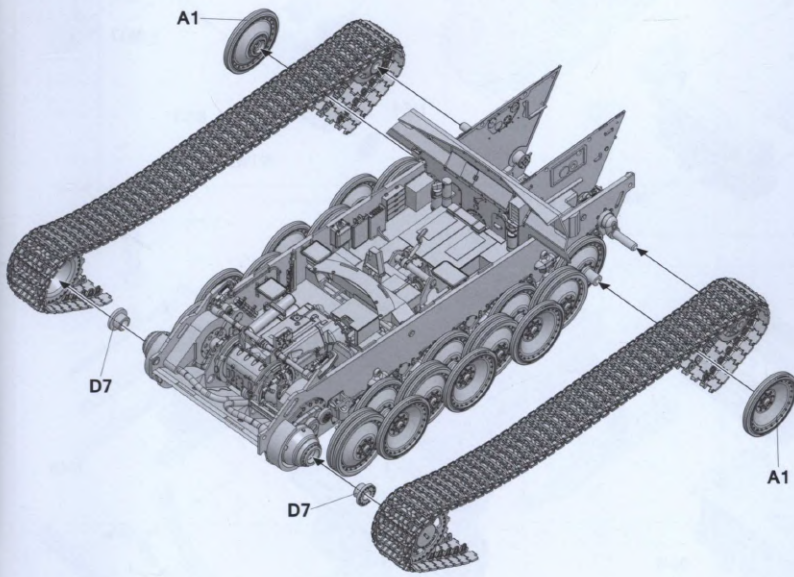
10

18

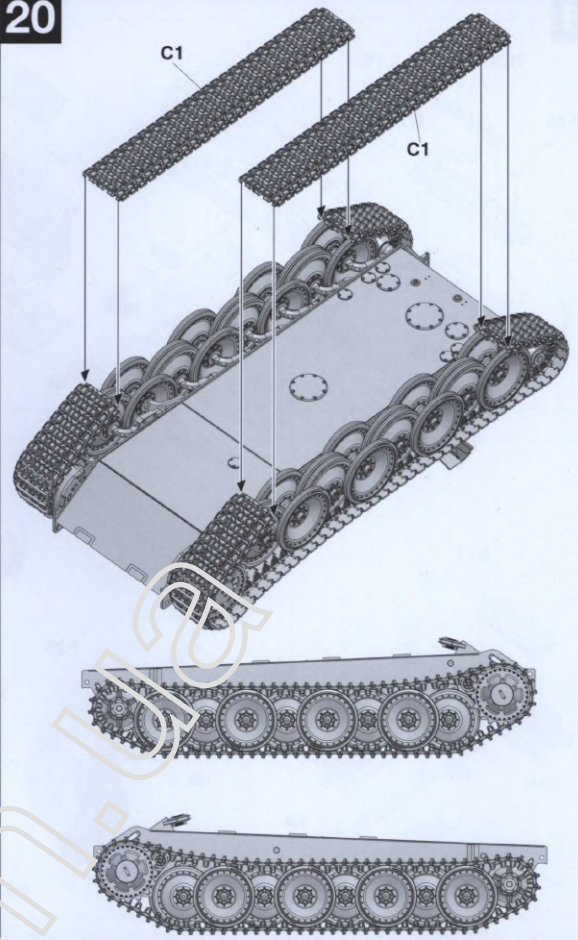


11

19

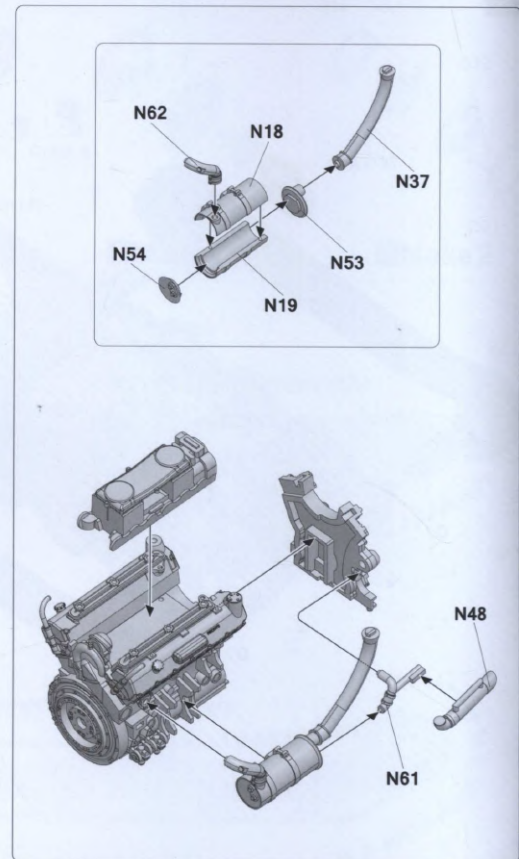
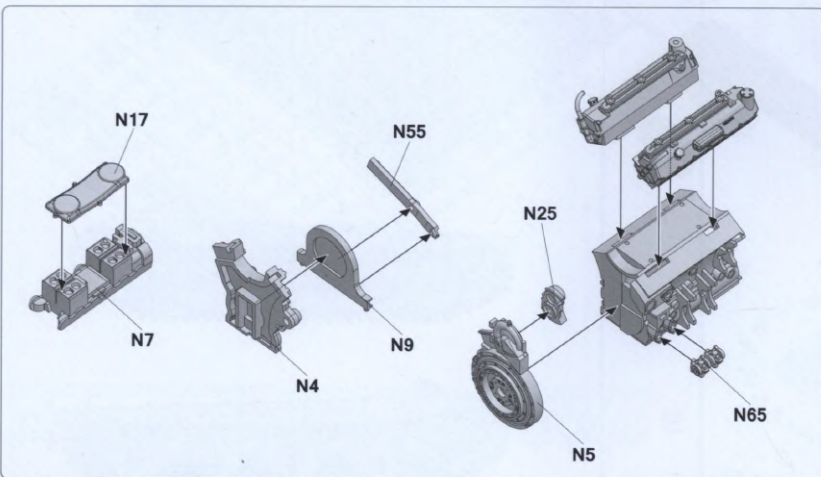
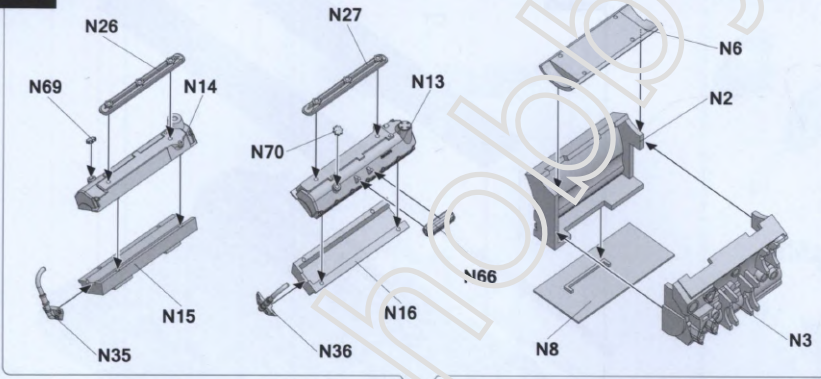


20



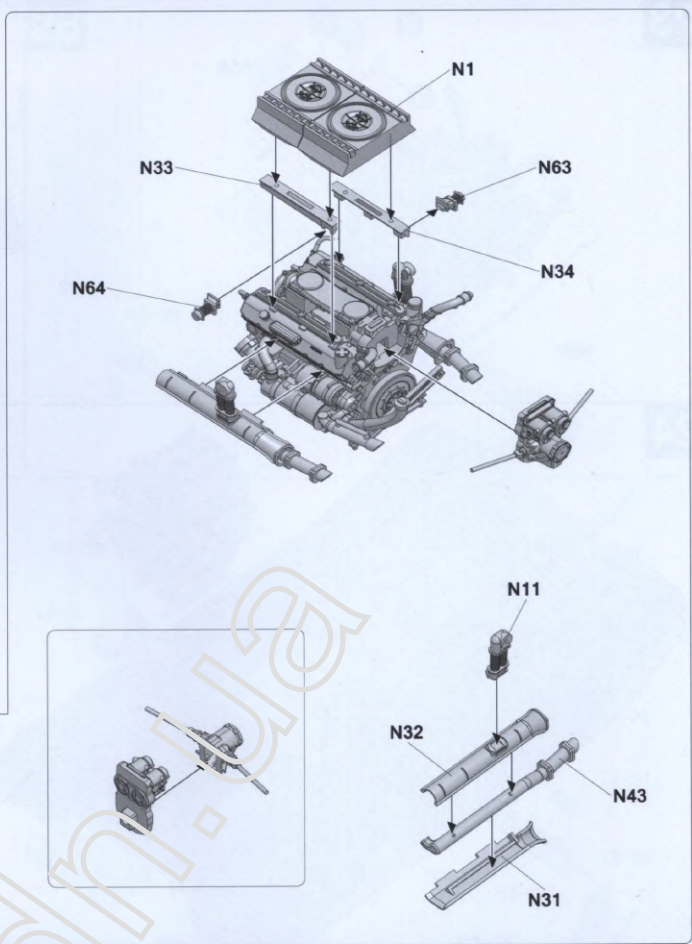
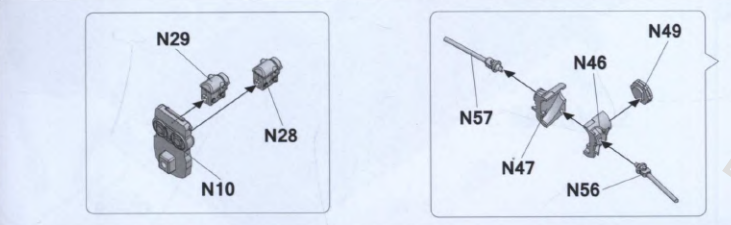
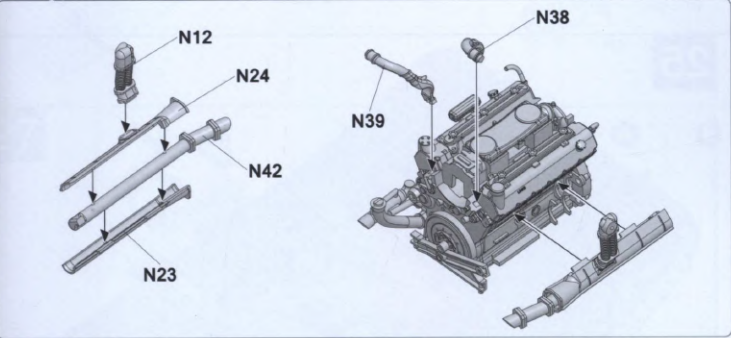
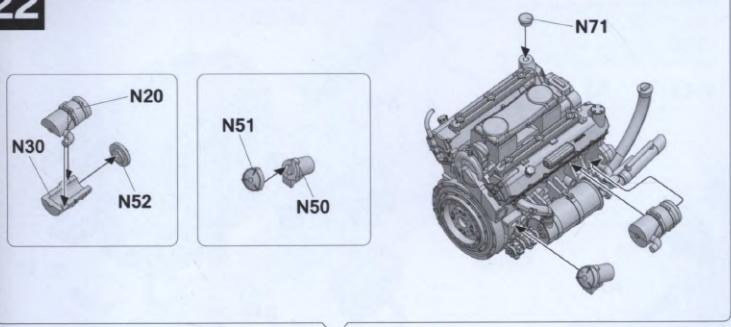
12

21



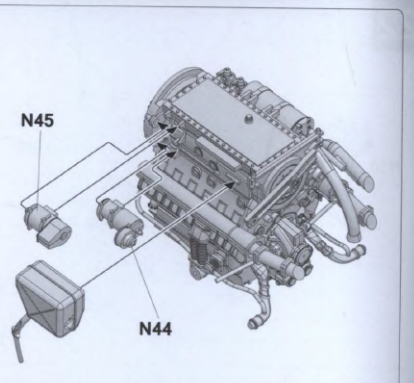
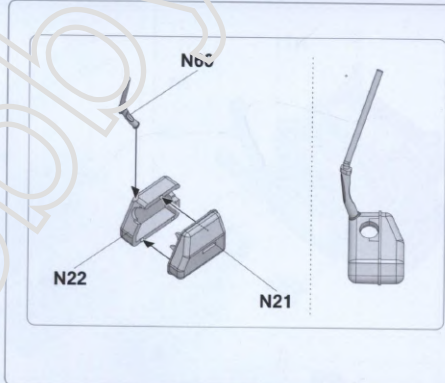
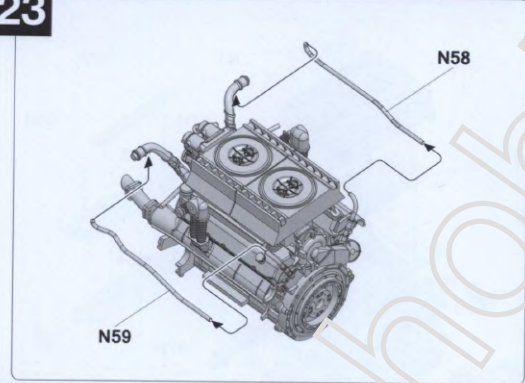
13

22

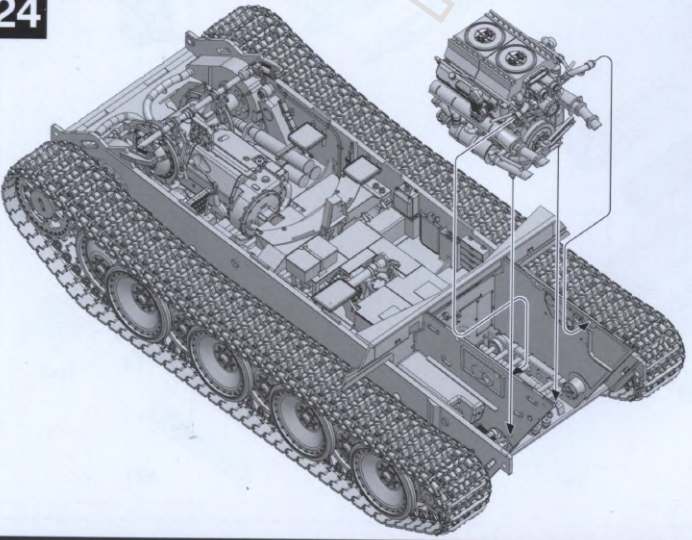


14

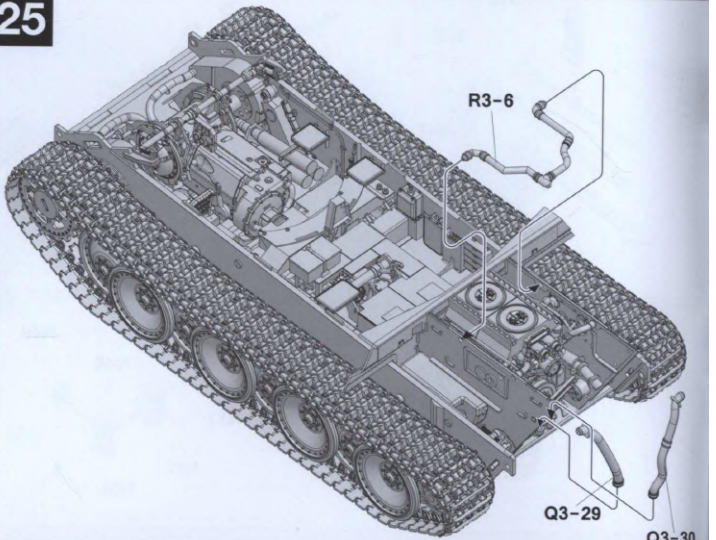
23



24

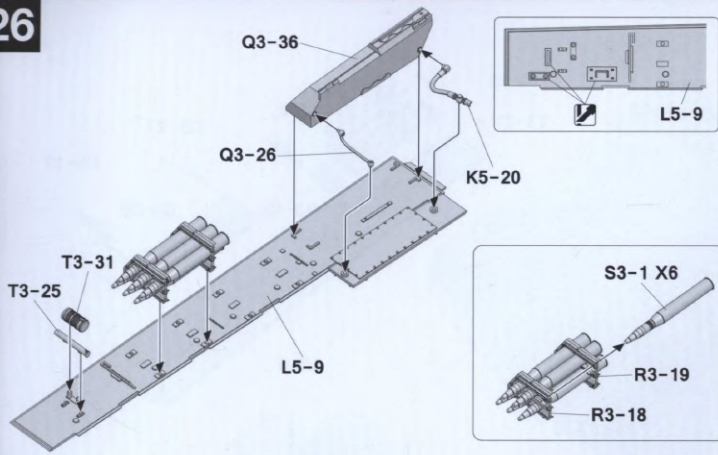


25

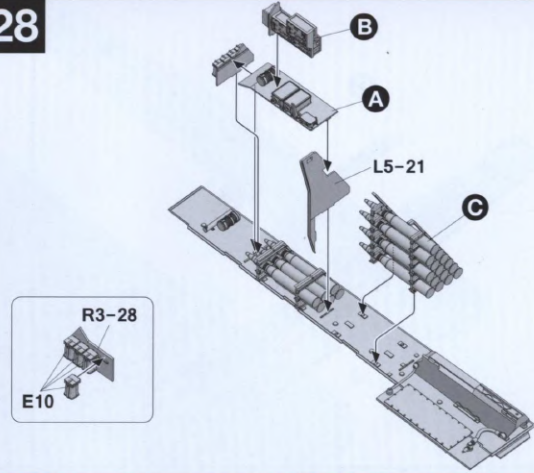


15

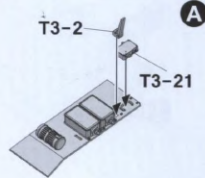
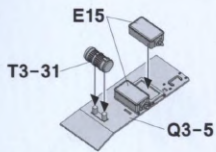
26



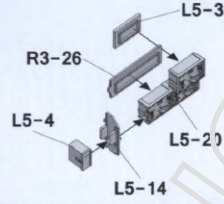
28



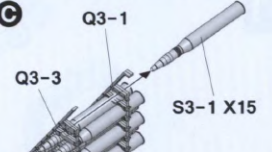
27



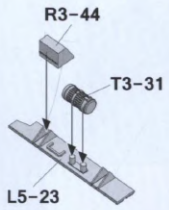
B



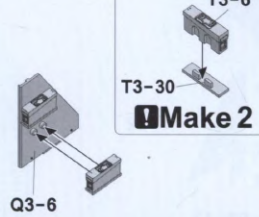
C



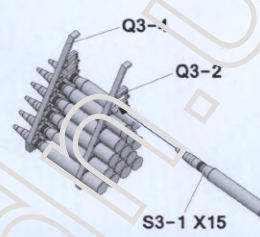
D



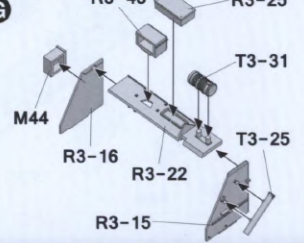
E



F

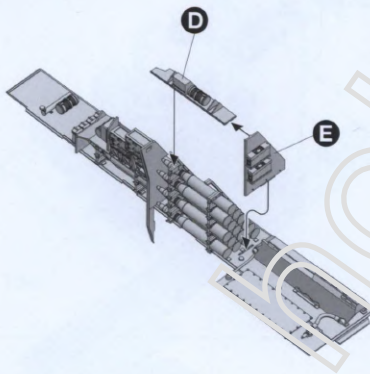


G

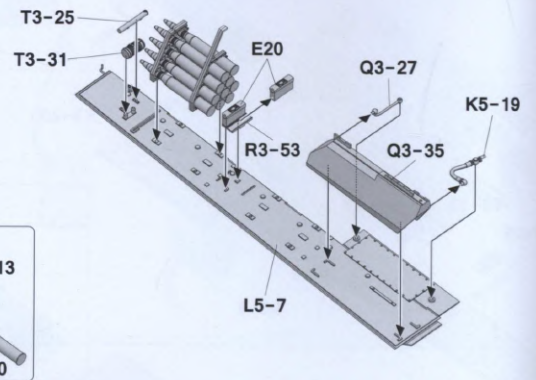


16

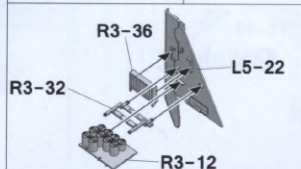
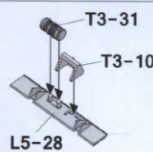
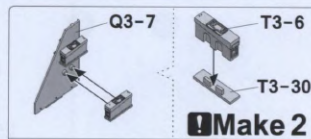
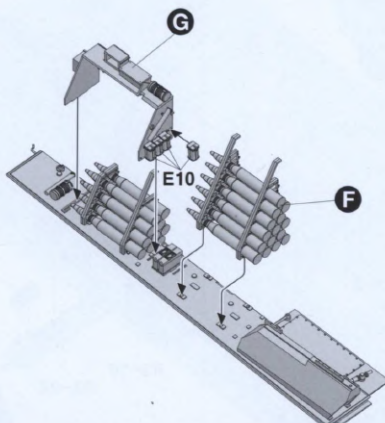
29



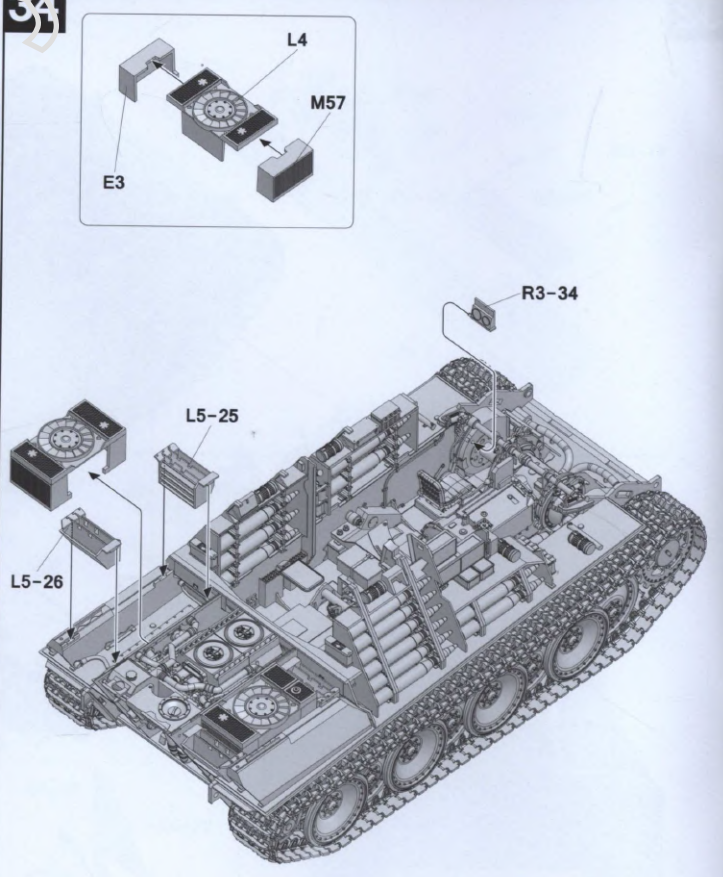
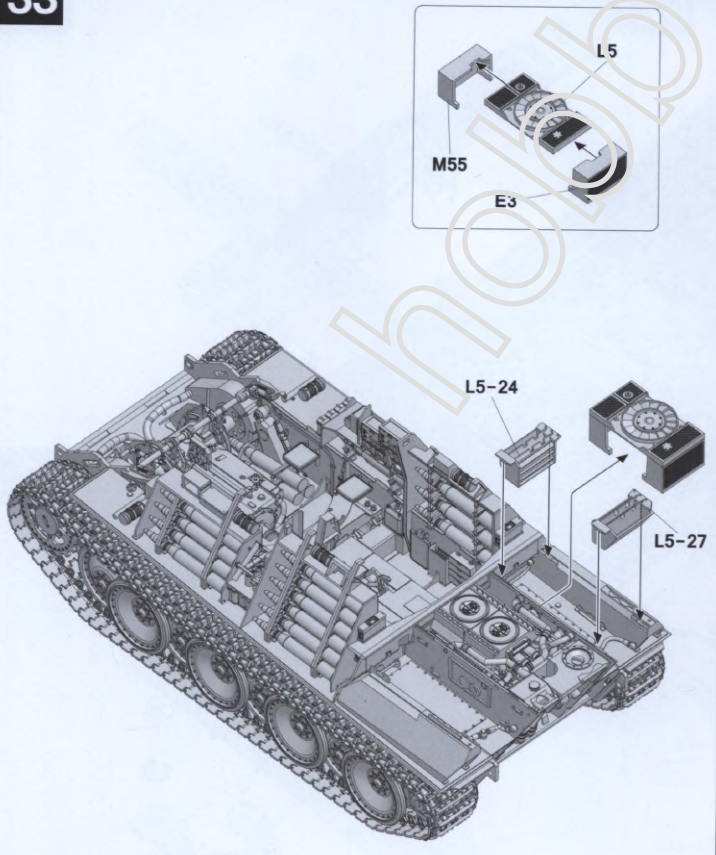
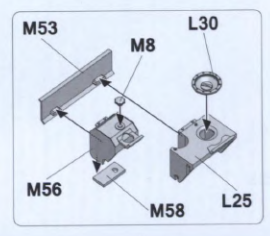
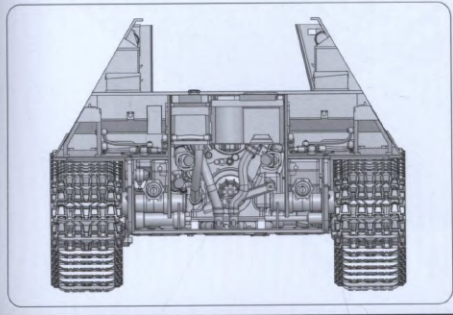
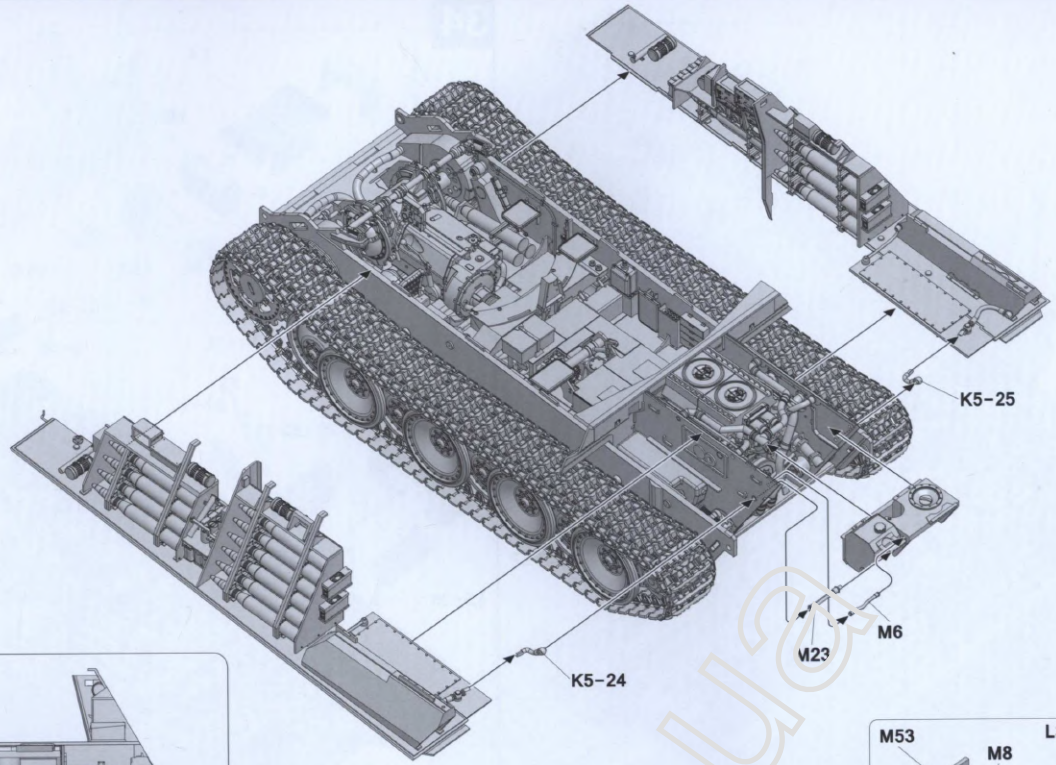
30



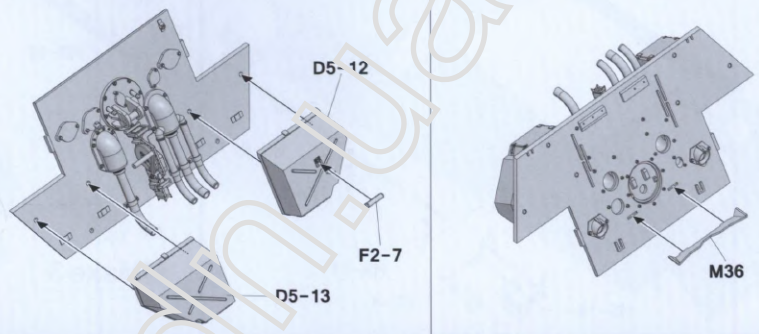
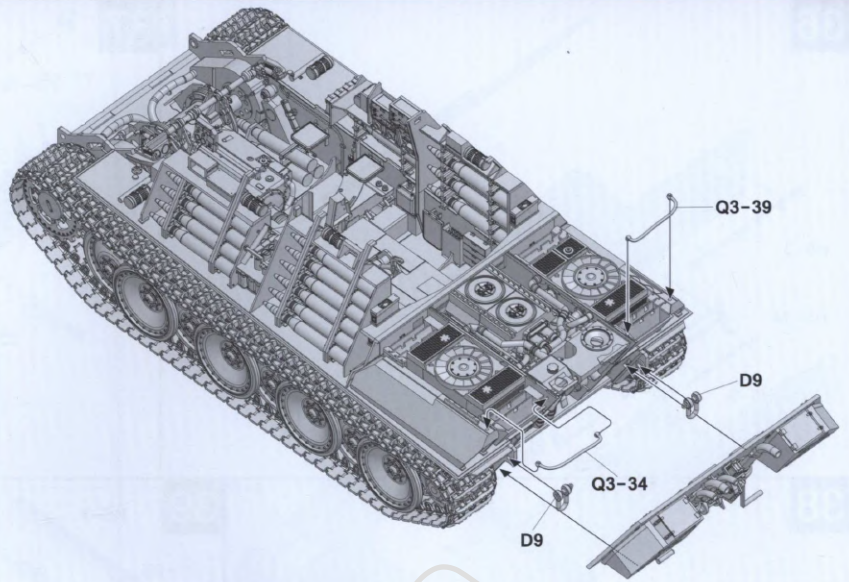
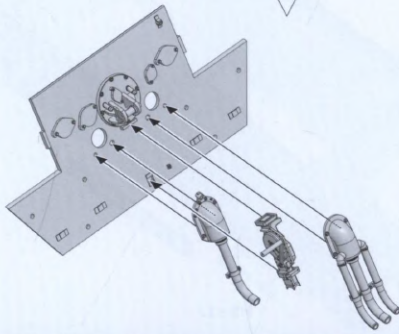
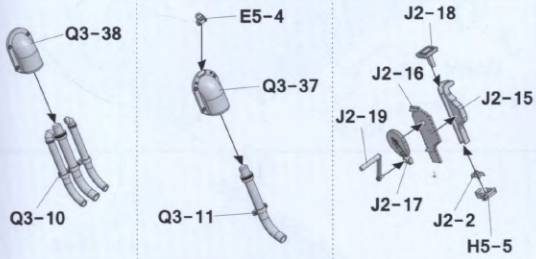
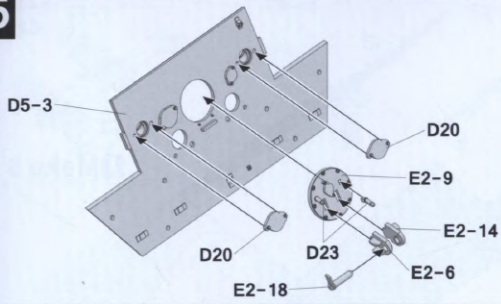
31



17

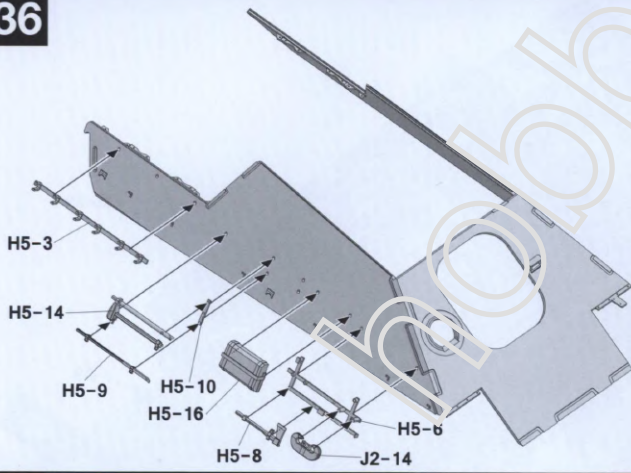


35

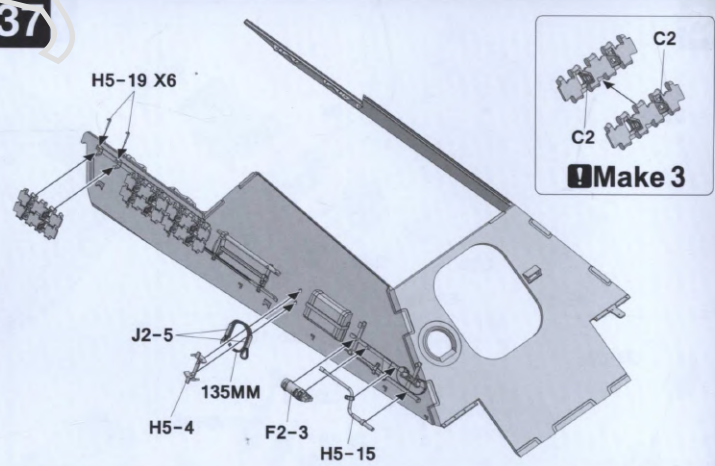


20

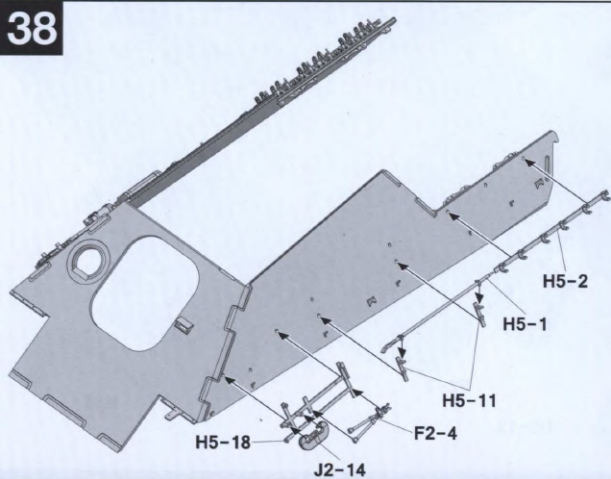
36



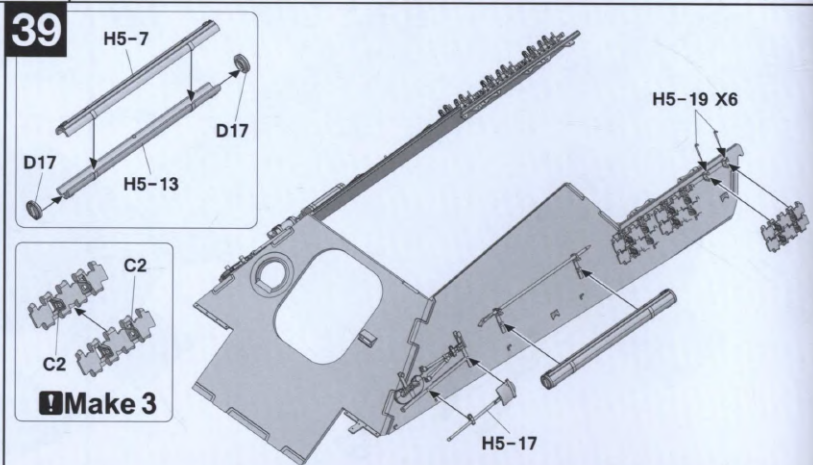
37



38

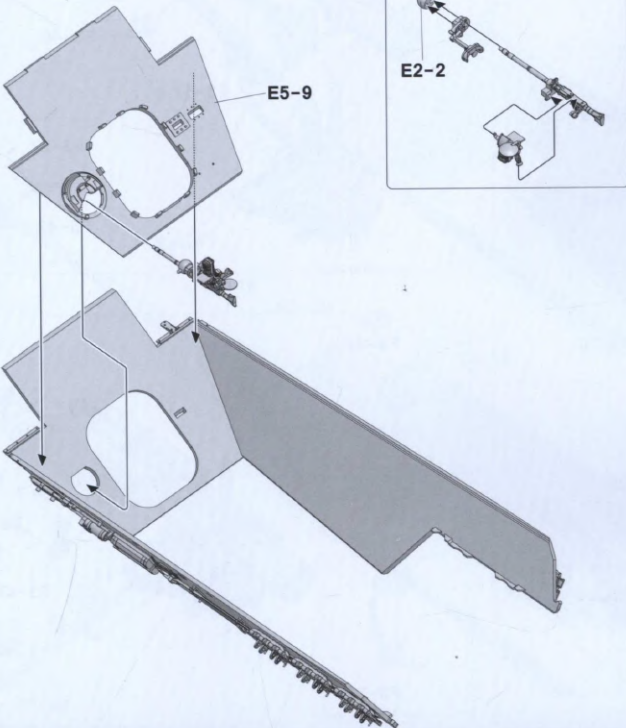
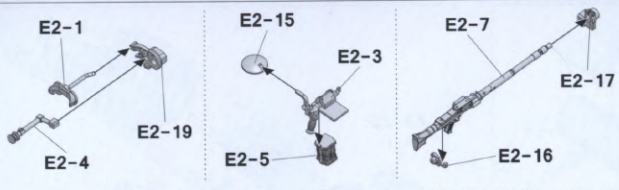


39

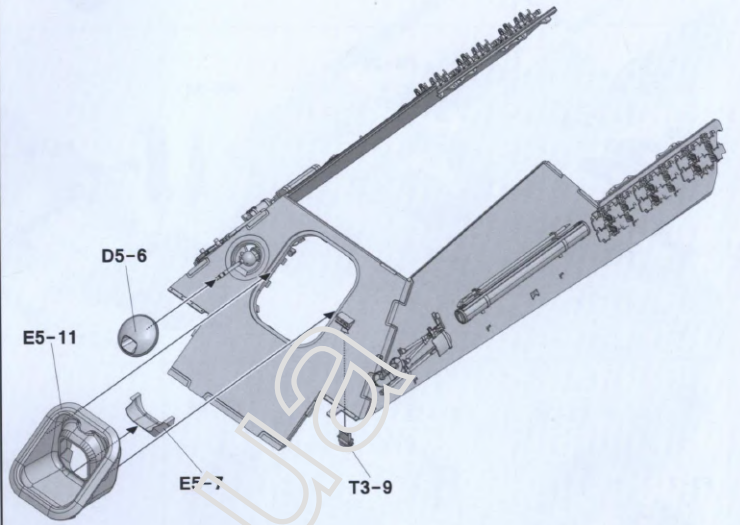


21

40

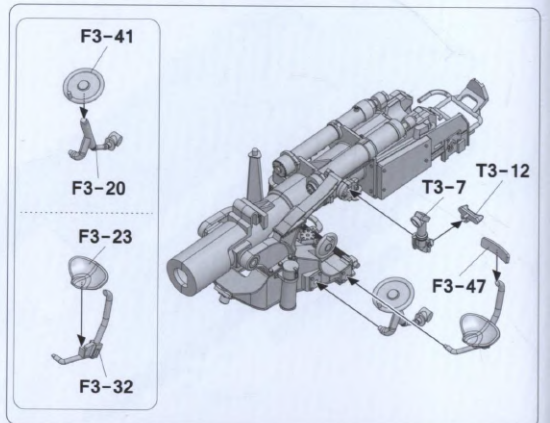
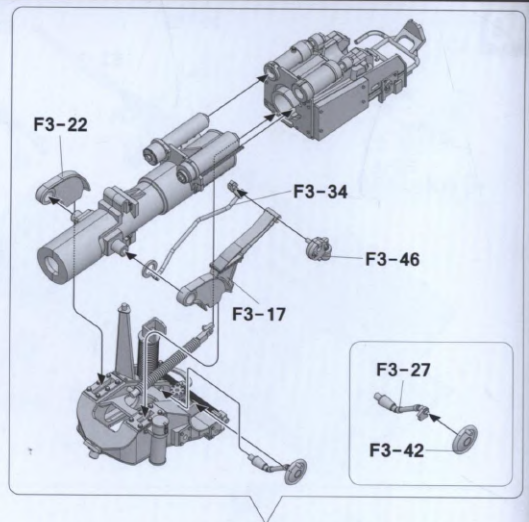
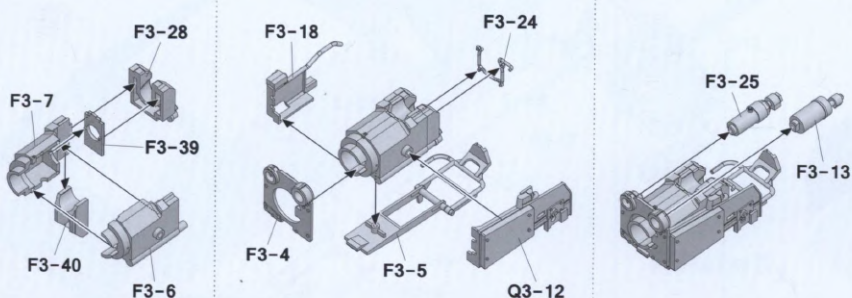
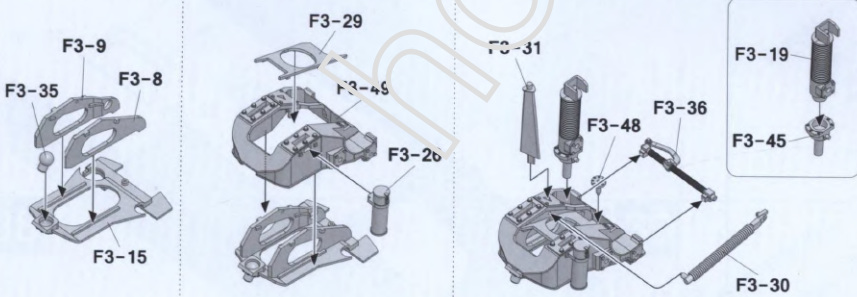
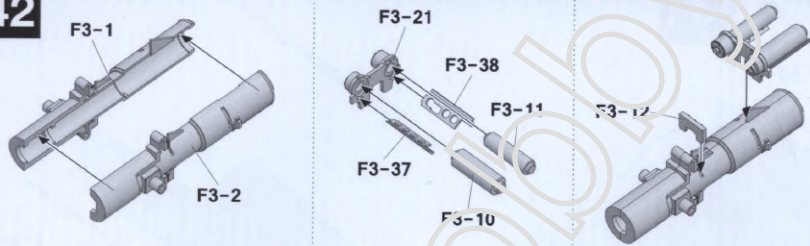


41



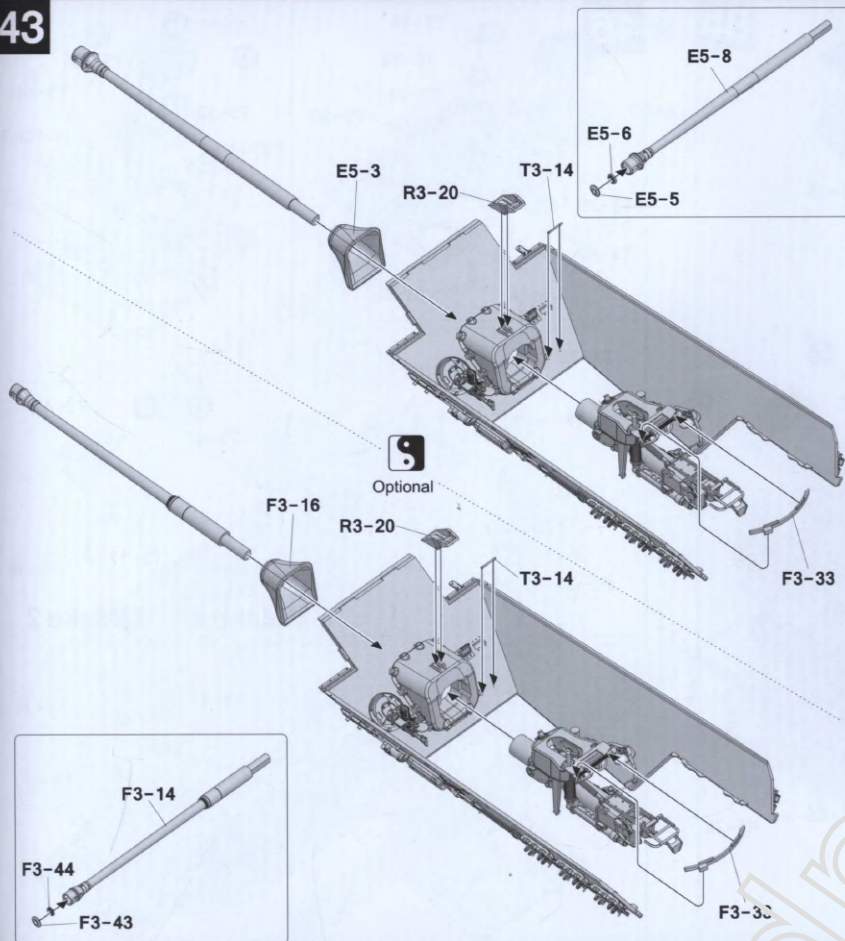
22

42

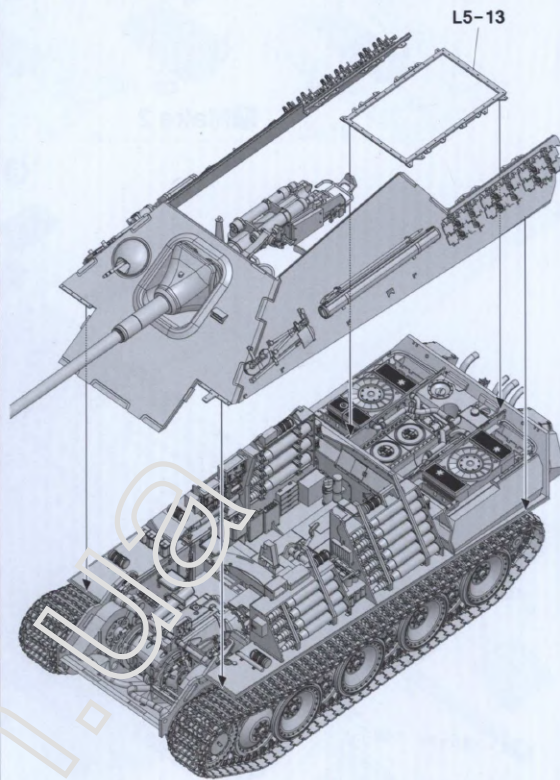


23

43

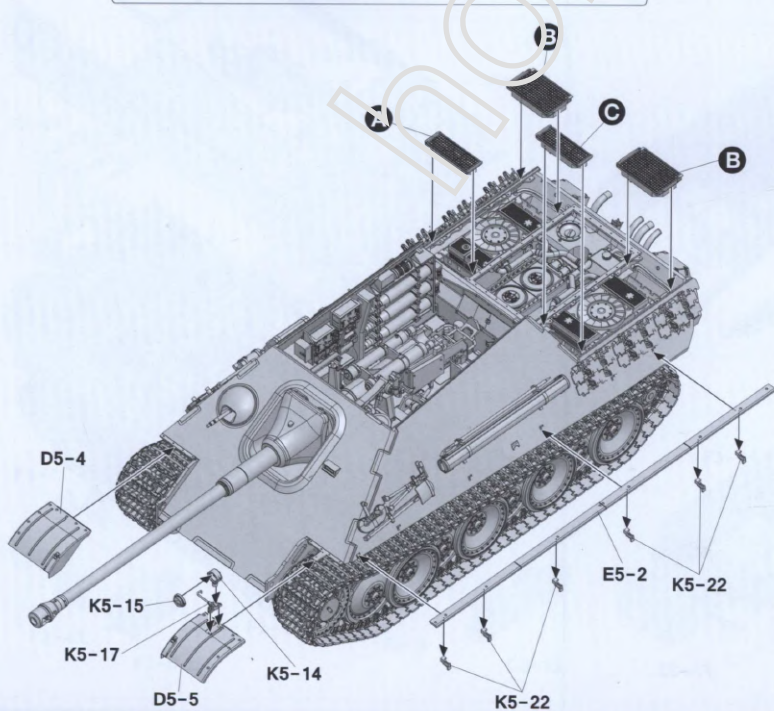
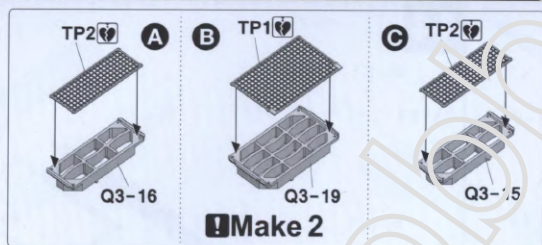


44

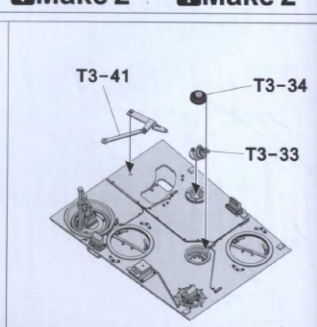
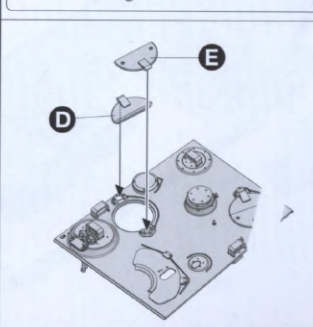
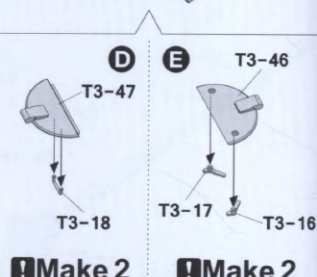
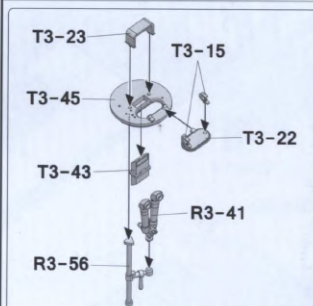
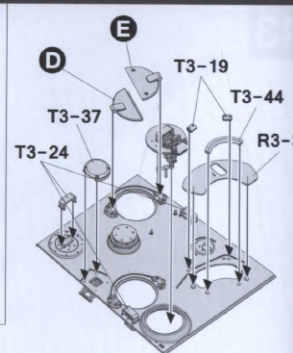
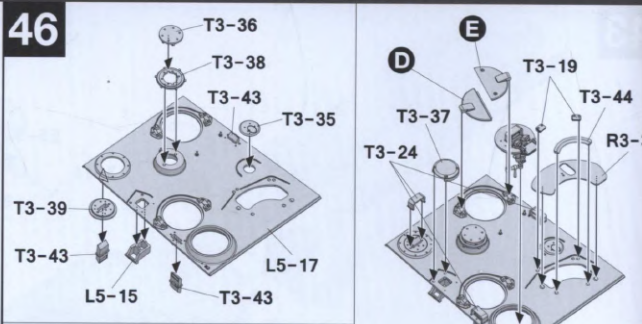


24

45

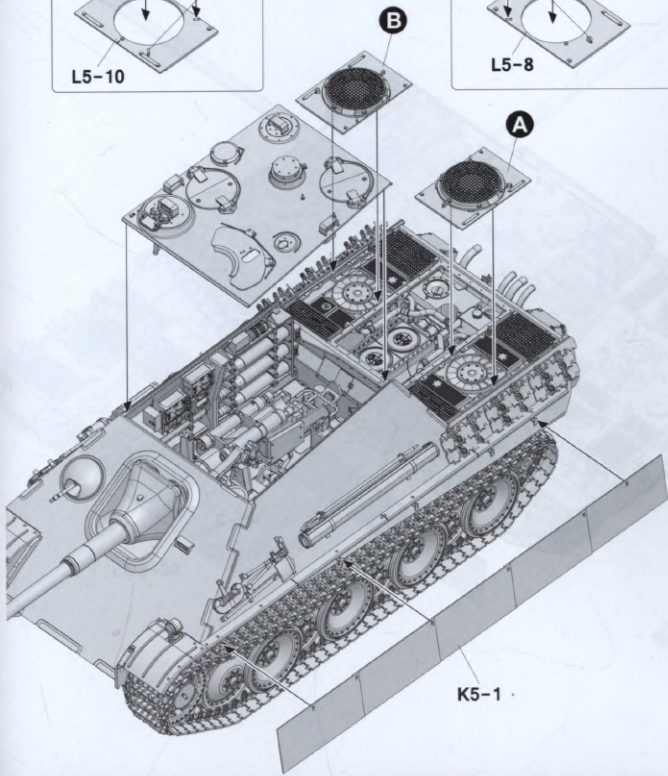
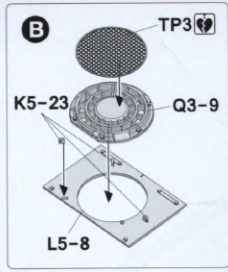
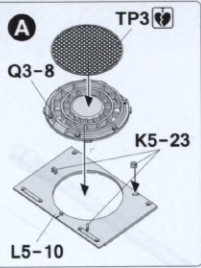


46

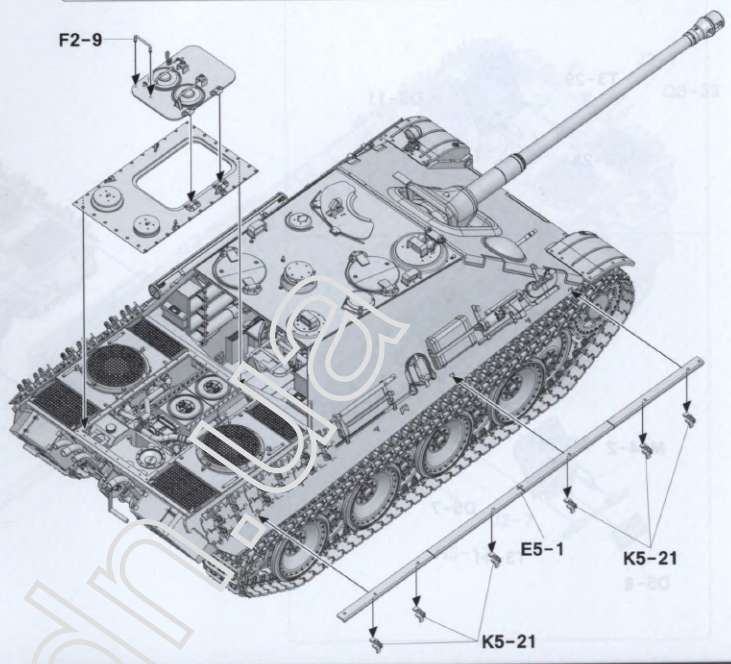
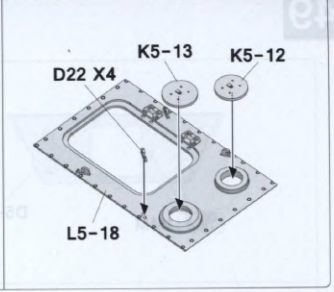
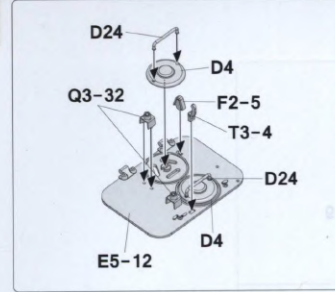


25

47

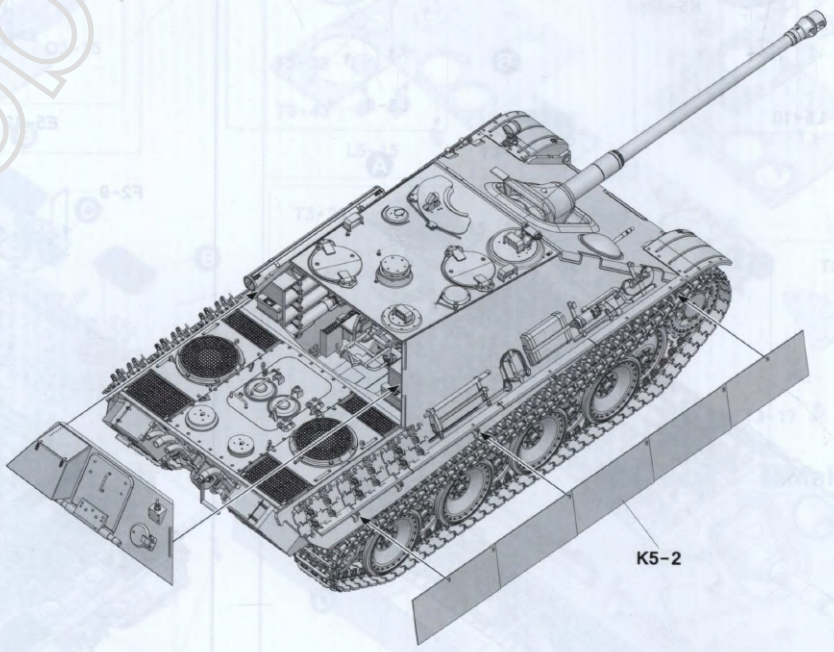
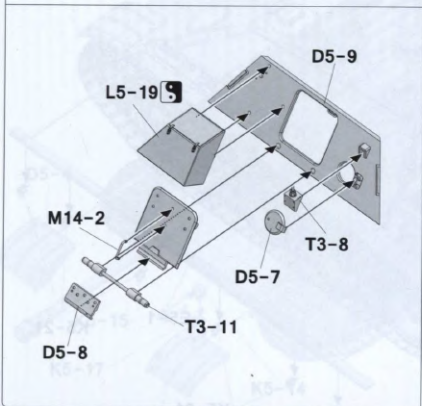
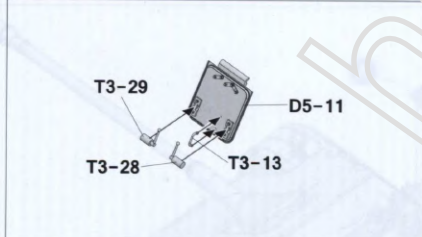
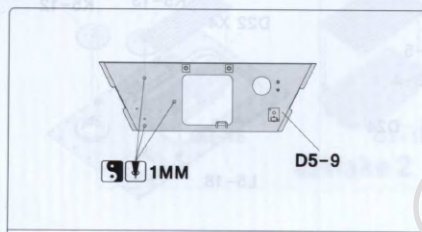


48

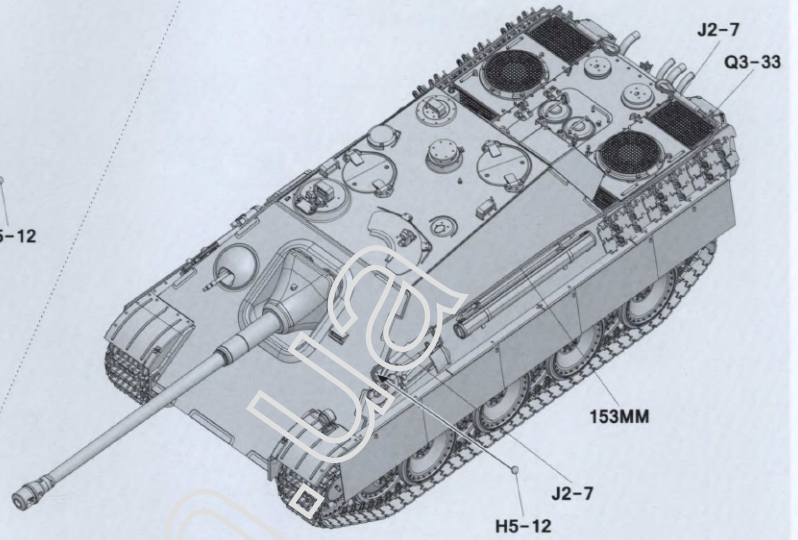
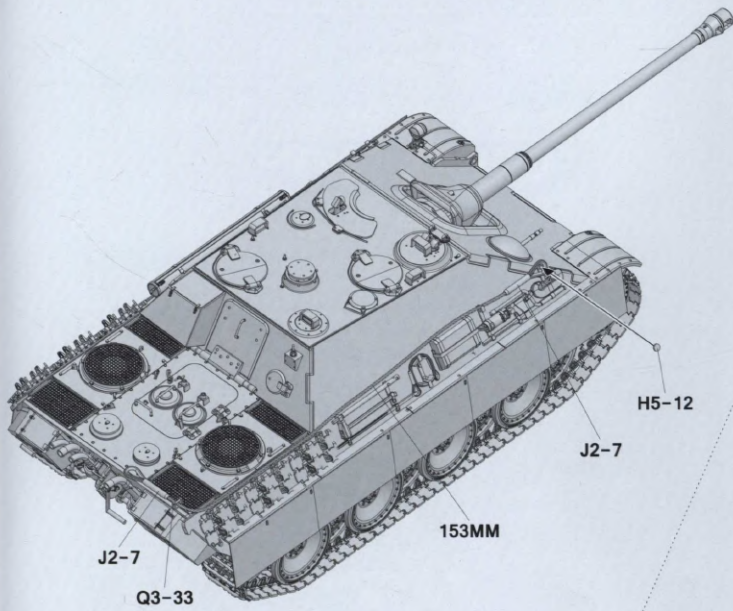


26

49



27



03.03.2125



Jagdpanther Ausf.G1

www.migjimez.com



Painting and Marking Guide

TAKOM Ref: 2125
Jagdpanther Ausf.G1 Mid/Late Production.

I Kompanie, s. Pz. Jg. Abt. 559, Holland,
Summer 1944

- A.MIG 033 Rubber & Tires
- A.MIG 035 Dark Tracks
- A.MIG 038 Light Wood
- A.MIG 040 Medium Rust
- A.MIG 045 Gun Metal
- A.MIG 096 Crystal
- A.MIG 002 Orange-Capt 2
- A.MIG 010 Darklight
- A.MIG 014 Schiffbraun
- A.MIG 036 Old Wood



WEATHERING STEPS WITH AMMO PRODUCTS

- 1 GENERAL WASH
A.MIG-1028 Dark Wash
- 2 STREAMING
A.MIG-1203 Streaming Gels
- 3 RUST
A.MIG-1254 Streaming/Rust
- 4 MUD & SPLASHES
A.MIG-1701 Thick Slit / A.MIG-1701 Dry Slap
- 5 FILTERS
A.MIG-1510 Tan for 3 Tone Camo
- 6 TRACK WASH
A.MIG-1032 Tracks Wash
- 7 BRIDGE & OIL
A.MIG-3012 Sand
- 8 BRIDGE & OIL
A.MIG-1408 Fresh Engine Oil

03.03.2125



Jagdpanther Ausf.G1

www.migjimez.com



Painting and Marking Guide

TAKOM Ref: 2125
Jagdpanther Ausf.G1 Mid/Late Production.

I Kompanie, s. Pz. Jg. Abt. 559, Holland,
Summer 1944

- A.MIG 033 Rubber & Tires
- A.MIG 035 Dark Tracks
- A.MIG 038 Light Wood
- A.MIG 040 Medium Rust
- A.MIG 045 Gun Metal
- A.MIG 096 Crystal
- A.MIG 002 Orange-Capt 2
- A.MIG 010 Darklight
- A.MIG 014 Schiffbraun
- A.MIG 036 Old Wood



WEATHERING STEPS WITH AMMO PRODUCTS

- 1 GENERAL WASH
A.MIG-1028 Dark Wash for Gun vehicles
- 2 STREAMING
A.MIG-1203 Streaming/Rust Gels
- 3 RUST
A.MIG-2010 Rust
- 4 MUD & SPLASHES
A.MIG-1701 Heavy Gels / A.MIG-1701 Thinner Gel
- 5 FILTERS
A.MIG-1510 Tan for 3 Tone Camo
- 6 TRACK WASH
A.MIG-1032 Tracks Wash
- 7 BRIDGE & OIL
A.MIG-3011 AirMud Dust
- 8 BRIDGE & OIL
A.MIG-1408 Fresh Engine Oil

03.03.2125



Jagdpanther Ausf.G1

www.migjimmenez.com



Painting and Marking Guide

TAKOM Ref: 2125

Jagdpanther Ausf.G1 Mid/Late Production.

I Kompanie, s. Pz. Jg. Abt.654, France, Spring 1944.



WEATHERING STEPS WITH AMMO PRODUCTS

- 1 GENERAL WASH: A.MIG-1000 Brown Wash for Dark Yellow
- 2 TRACK WASH: A.MIG-1002 Tracks Wash
- 3 RUST: A.MIG-1254 Streaking/Rust Paint
- 4 WEATHER & SPLASHES: A.MIG-1104 Heavy Camo / A.MIG-1103 Tanned Oil
- 5 FINISH: A.MIG-1010 Tan for 3 Tone Camo
- 6 TRACKS & OIL: A.MIG-1002 Tracks Wash
- 7 WEATHER & SPLASHES: A.MIG-1028 Streaking/Rust Effects
- 8 WEATHER & OIL: A.MIG-1408 Fresh Engine Oil

03.03.2125



Jagdpanther Ausf.G1

www.migjimmenez.com



Painting and Marking Guide

TAKOM Ref: 2125

Jagdpanther Ausf.G1 Mid/Late Production.

II Kompanie, s. Pz. Jg. Abt.654, France, August 1944.



WEATHERING STEPS WITH AMMO PRODUCTS

- 1 GENERAL WASH: A.MIG-1000 Brown Wash for Dark Yellow
- 2 TRACK WASH: A.MIG-1002 Tracks Wash
- 3 RUST: A.MIG-1254 Streaking/Rust Effects
- 4 WEATHER & SPLASHES: A.MIG-1104 Heavy Camo / A.MIG-1103 Tanned Oil
- 5 FINISH: A.MIG-1010 Tan for 3 Tone Camo
- 6 TRACKS & OIL: A.MIG-1002 Tracks Wash
- 7 WEATHER & SPLASHES: A.MIG-1028 Streaking/Rust Effects
- 8 WEATHER & OIL: A.MIG-1408 Fresh Engine Oil

03.03.2125



Jagdpanther Ausf.G1

www.migjimmenez.com



Painting and Marking Guide

TAKOM Ref: 2125

Jagdpanther Ausf.G1 Mid/Late Production.

III Kompanie, s. Pz. Jg. Abt.654, France, Summer 1944.



WEATHERING STEPS WITH AMMO PRODUCTS

- 1 GENERAL WASH: A.MIG-1000 Brown Wash for Green Vehicles
- 2 TRACK WASH: A.MIG-1002 Tracks Wash
- 3 RUST: A.MIG-1254 Streaking/Rust Effects
- 4 WEATHER & SPLASHES: A.MIG-1104 Heavy Camo / A.MIG-1103 Tanned Oil
- 5 FINISH: A.MIG-1010 Tan for 3 Tone Camo
- 6 TRACKS & OIL: A.MIG-1002 Tracks Wash
- 7 WEATHER & SPLASHES: A.MIG-1028 Streaking/Rust Effects
- 8 WEATHER & OIL: A.MIG-1408 Fresh Engine Oil

03.03.2125



Jagdpanther Ausf.G1

www.migjimmenez.com



Painting and Marking Guide

TAKOM Ref: 2125

Jagdpanther Ausf.G1 Mid/Late Production.

III Kompanie, s. Pz. Jg. Abt.654, France, Summer 1944.



WEATHERING STEPS WITH AMMO PRODUCTS

- 1 GENERAL WASH: A.MIG-1000 Brown Wash for Green Vehicles
- 2 TRACK WASH: A.MIG-1002 Tracks Wash
- 3 RUST: A.MIG-1254 Streaking/Rust Effects
- 4 WEATHER & SPLASHES: A.MIG-1104 Heavy Camo / A.MIG-1103 Tanned Oil
- 5 FINISH: A.MIG-1010 Tan for 3 Tone Camo
- 6 TRACKS & OIL: A.MIG-1002 Tracks Wash
- 7 WEATHER & SPLASHES: A.MIG-1028 Streaking/Rust Effects
- 8 WEATHER & OIL: A.MIG-1408 Fresh Engine Oil

Interior Painting

Color info and profiles by

