

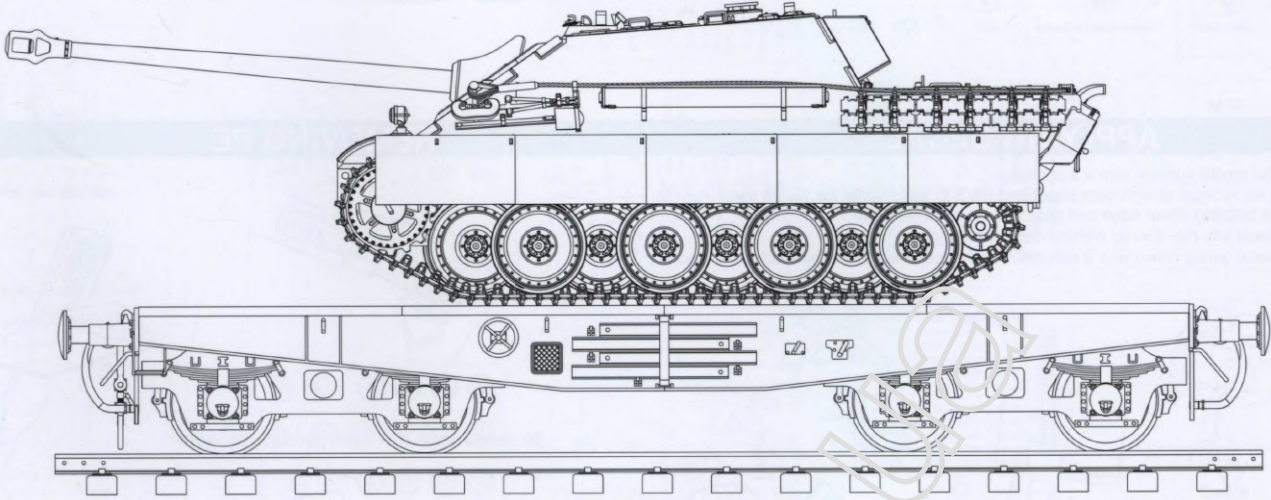
JAGDPANTHER G1 EARLY PRODUCTION w/ ZIMMERIT & SCHWERER PLATTFORMWAGEN TYPE SSYS

INTERIOR NOT INCLUDED

LIMITED EDITION



JAGDPANTHER G1 Early Production w/ Zimmerit



SCHWERER PLATTFORMWAGEN Type SSys



1/35
No.2125X

03.02.21.75X

READ BEFORE ASSEMBLY

CAUTION

- Read carefully and fully understand the instructions before commencing assembly. A supervising adult should also read the instructions if a child assembles the model.
- When assembling this kit, tools including knives used. Extra care should be taken to avoid personal injury.
- Keep out of reach of small children. Children must not be allowed to suck any part, or pull vinyl bag over their heads.

PAINTS REQUIRED

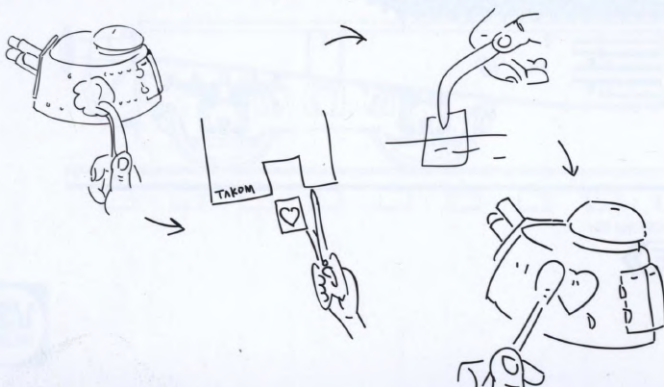
Color info and profiles by Mig Jimenez

A.MIG 033 Rubber & Tires	A.MIG 035 Dark Tracks	A.MIG 038 Light Wood	A.MIG 041 Dark Rust
A.MIG 048 Gun Metal	A.MIG 056 Crystal Periscope Green	A.MIG 052 Olivgrun Opt.2	A.MIG 018 Dunkelgelb Mid war
A.MIG 016 Schokobraun	A.MIG 036 Ole Wood	A.MIG 040 Medium Rust	A.MIG 037 New Wood
A.MIG 008 Dunkelgrau	A.MIG 001 Olivgrun Opt.1		

- Optional
- Remove
- Instant Glue for Metal
- Drill

APPLYING DECALS

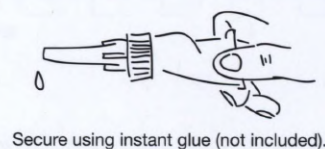
1. Clean the model surface with a wet cloth.
2. Cut out each decal design from sheet, and dip it in tepid water for 15-20 sec.
3. Hold the backing sheet edge and slide decal onto the model.
4. Move decal into position by wetting decal with finger.
5. Press decal gently down with a soft cloth until excess water and air bubbles are gone.



REMOVING PE



Be careful not to hurt when removing PE parts.

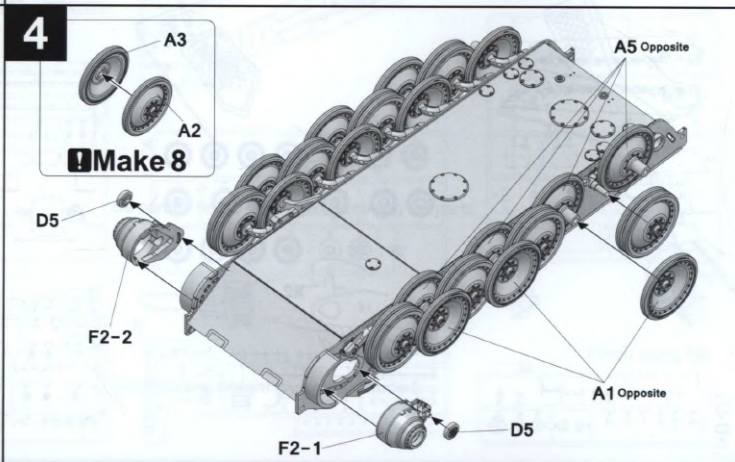
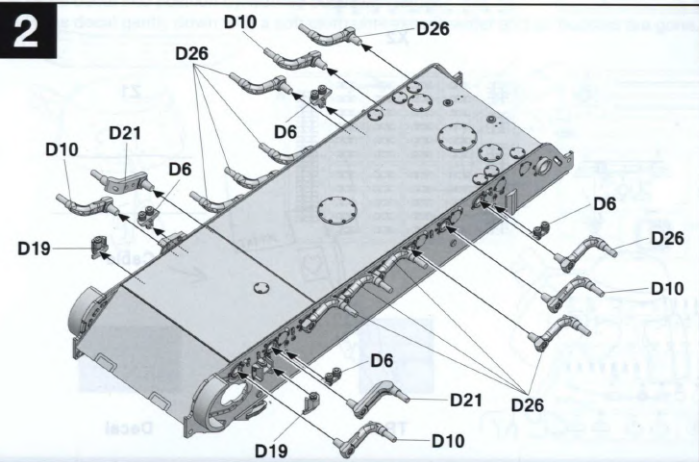
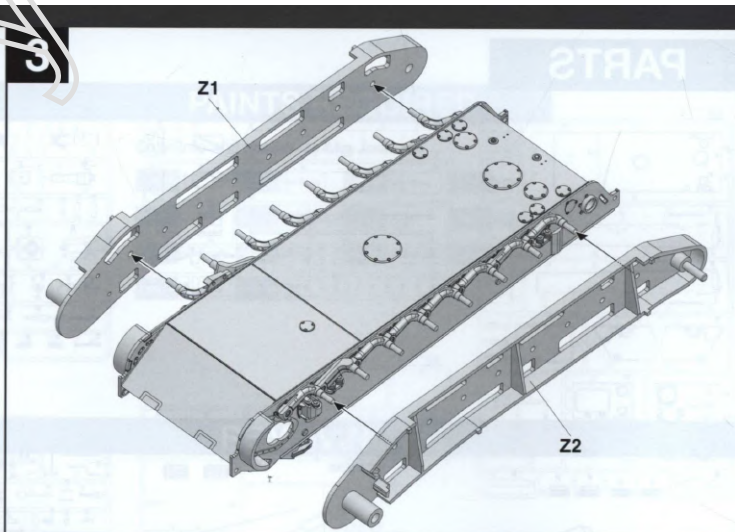
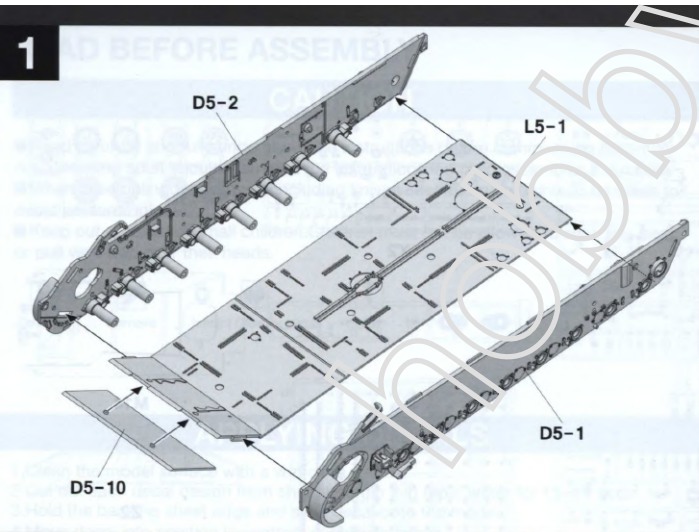
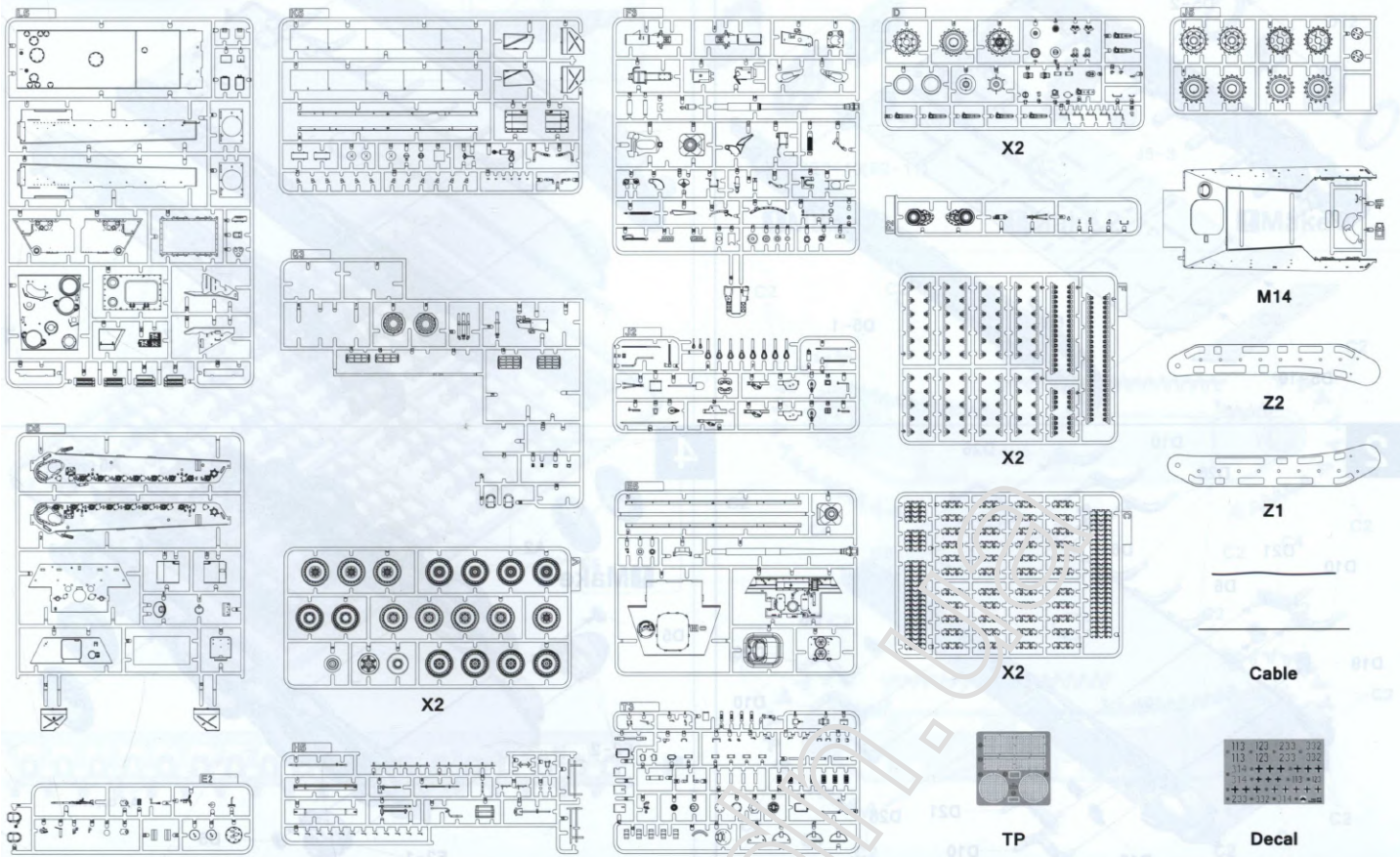


Secure using instant glue (not included).

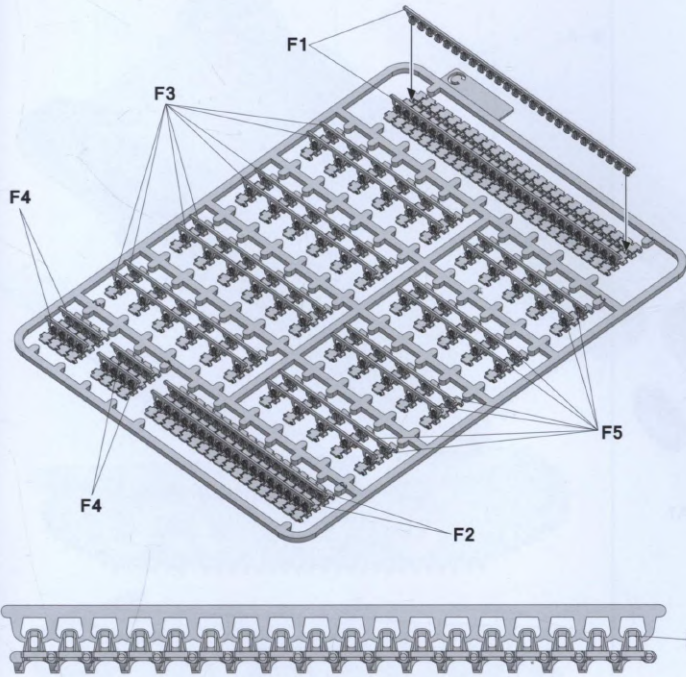
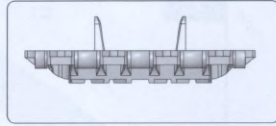


Finish using file.

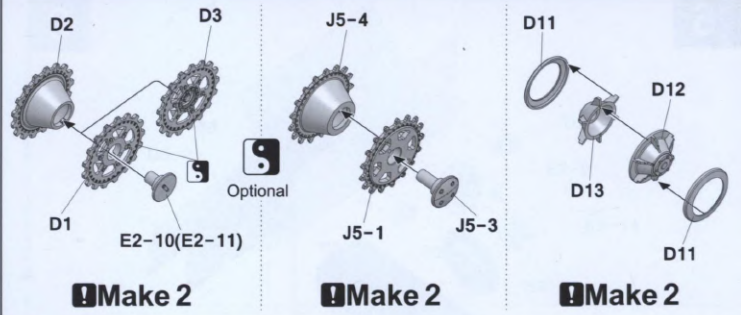
PARTS



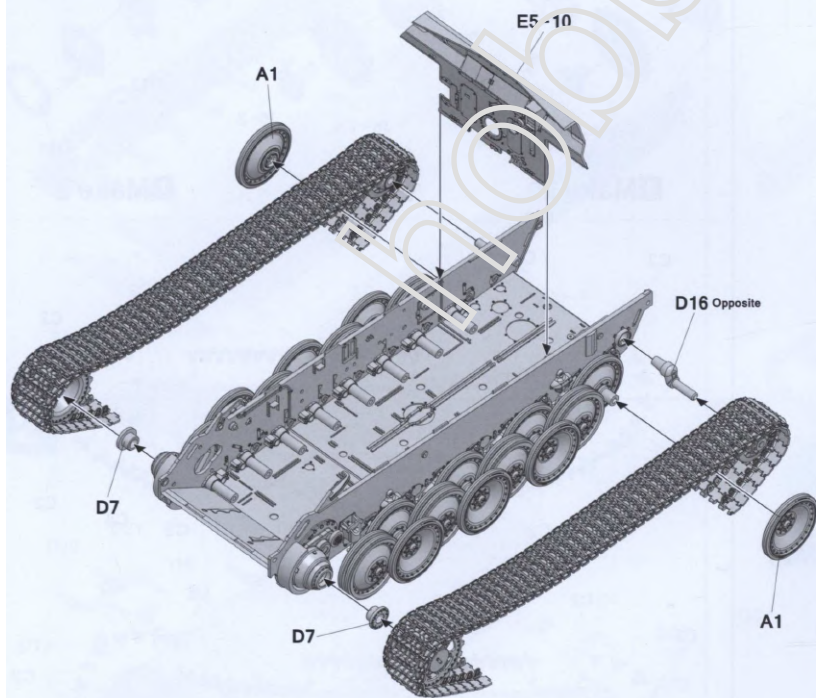
5



4

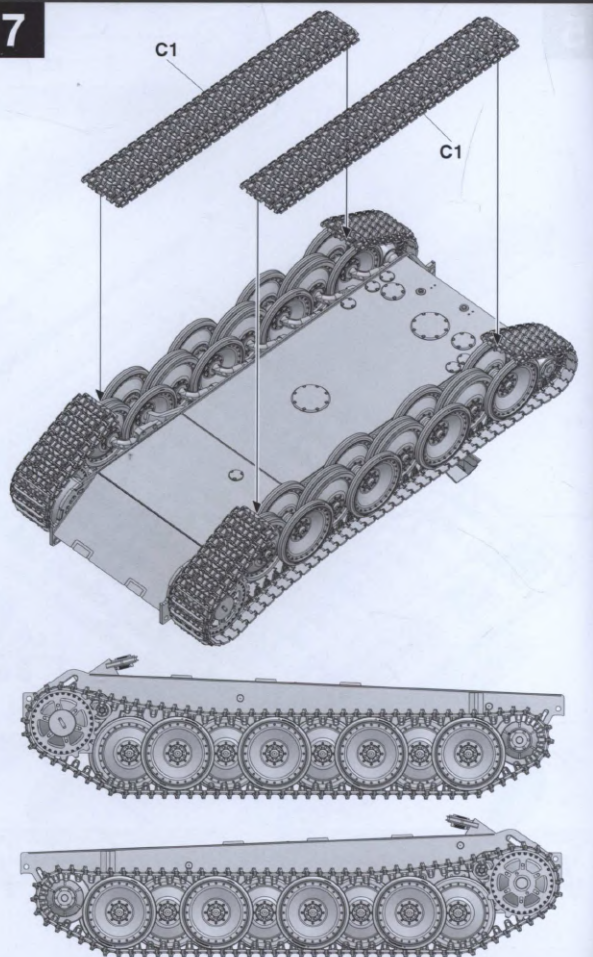


6

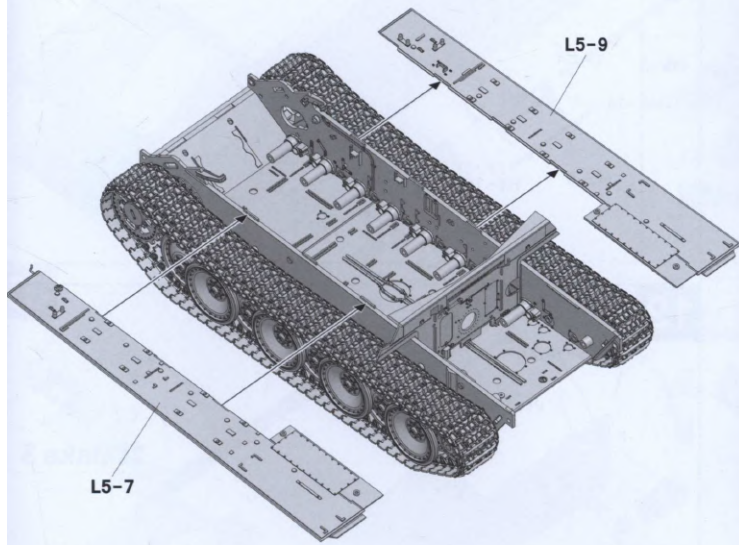


5

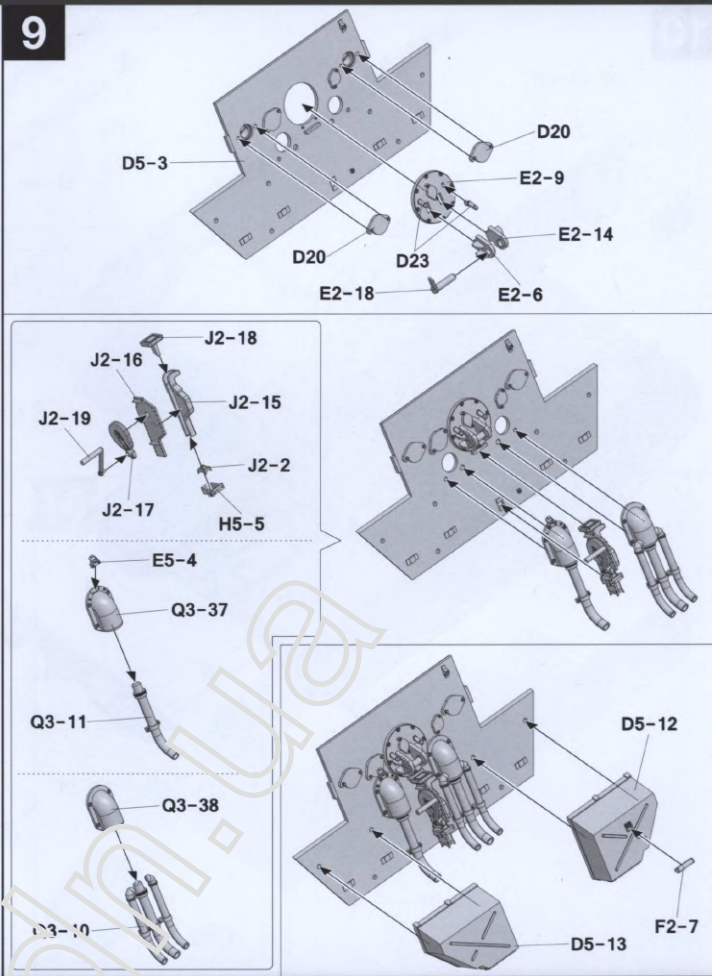
7



8

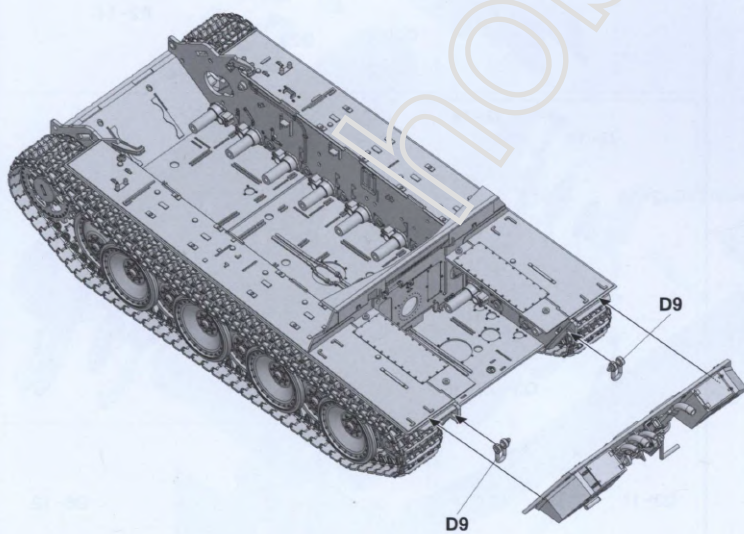


9

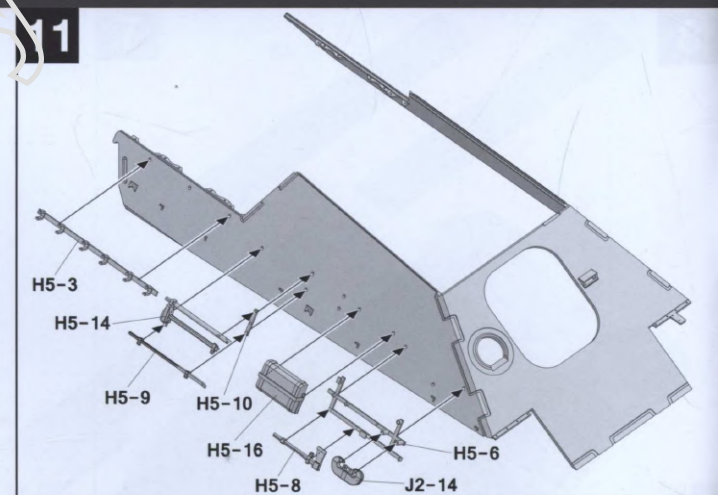


6

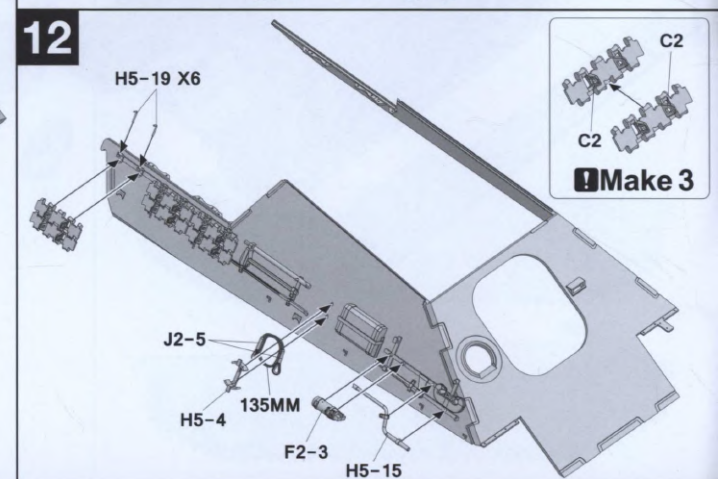
10



11

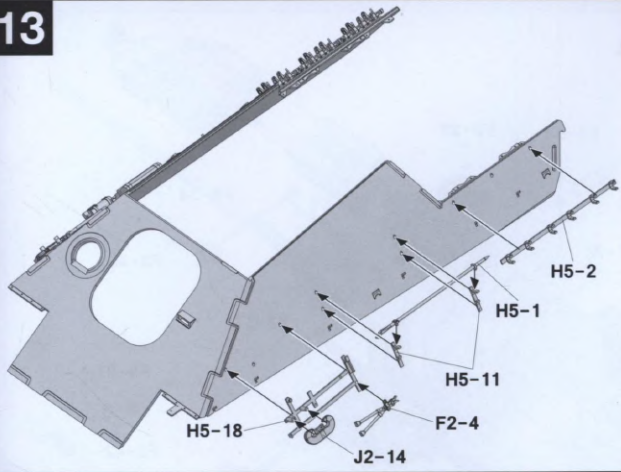


12

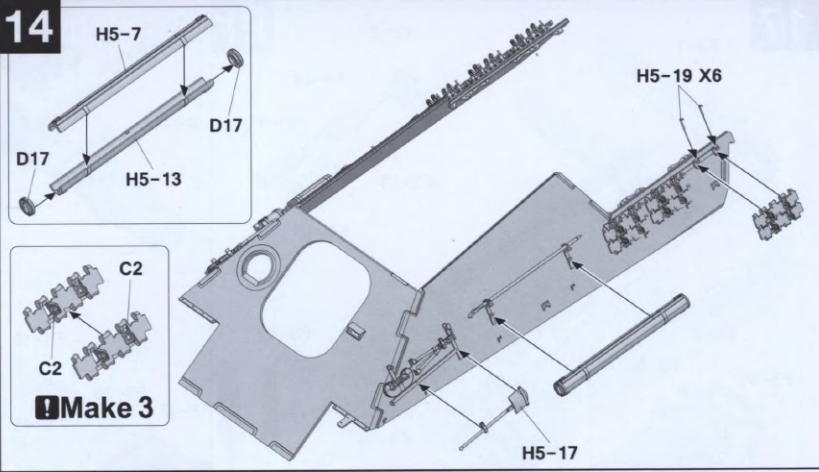


7

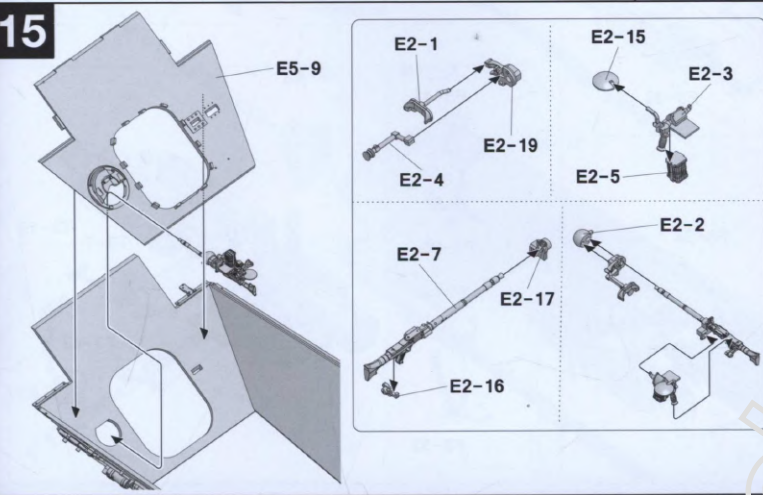
13



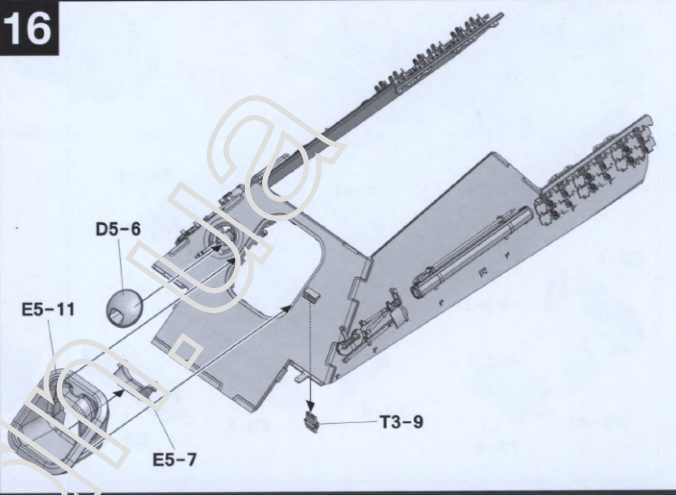
14



15

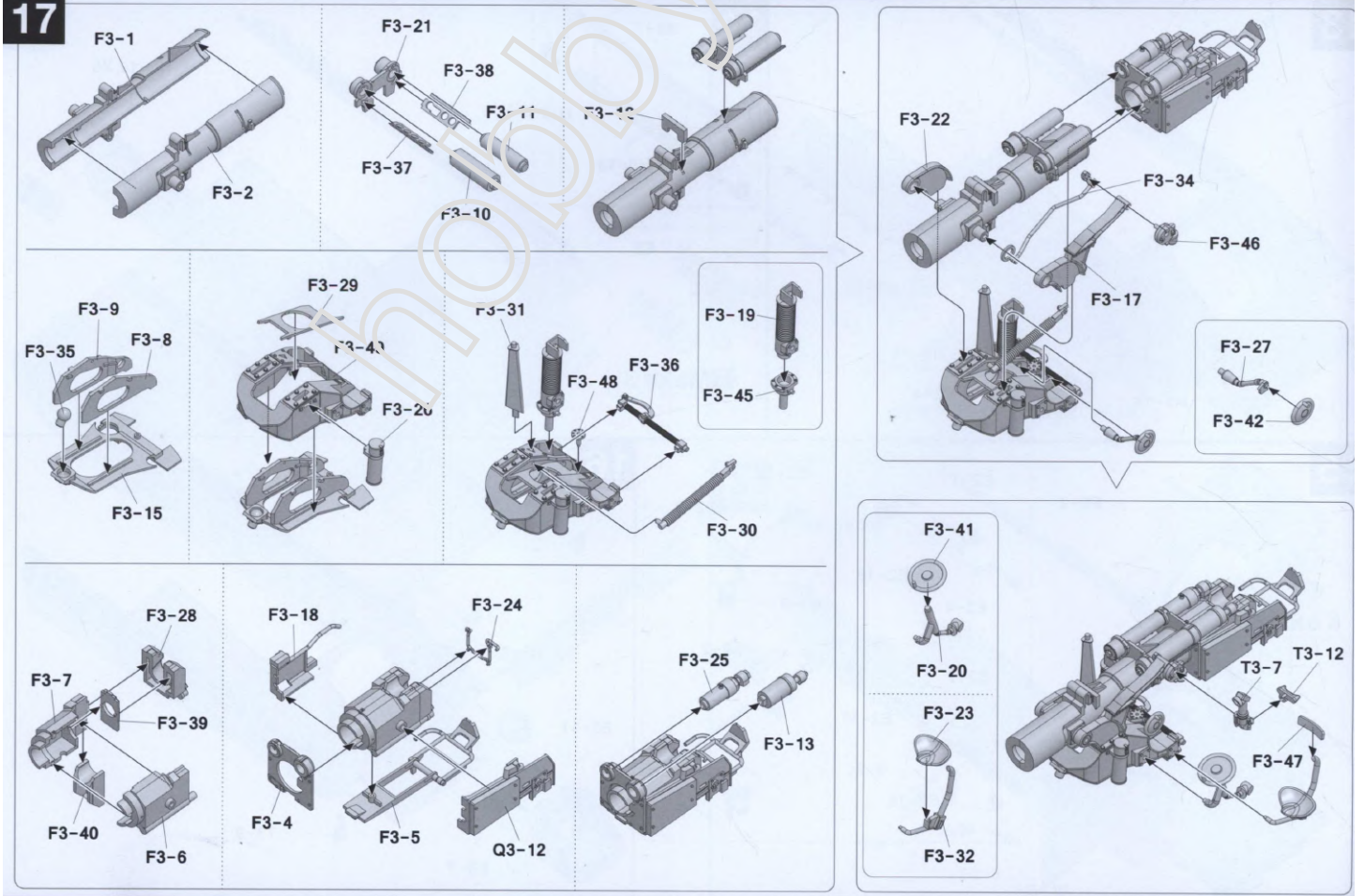


16



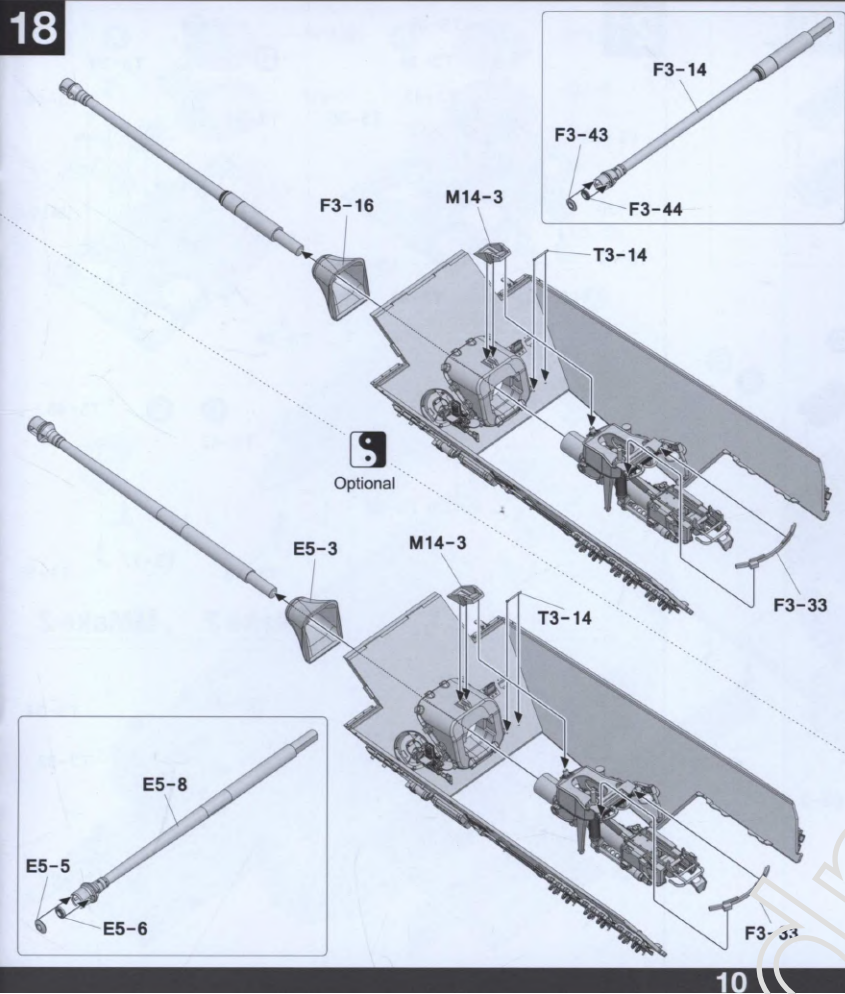
8

17

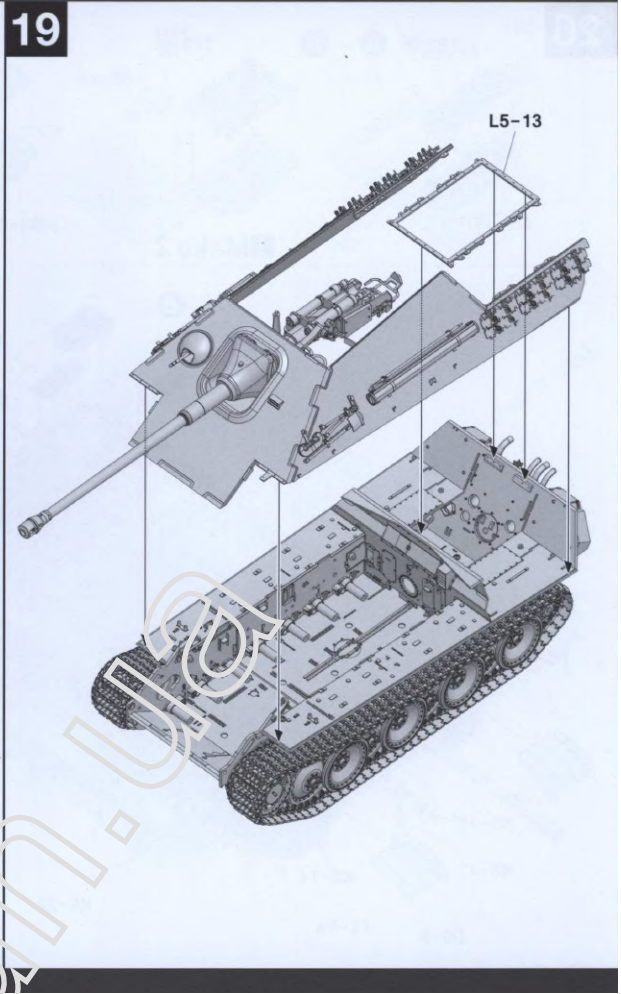


9

18

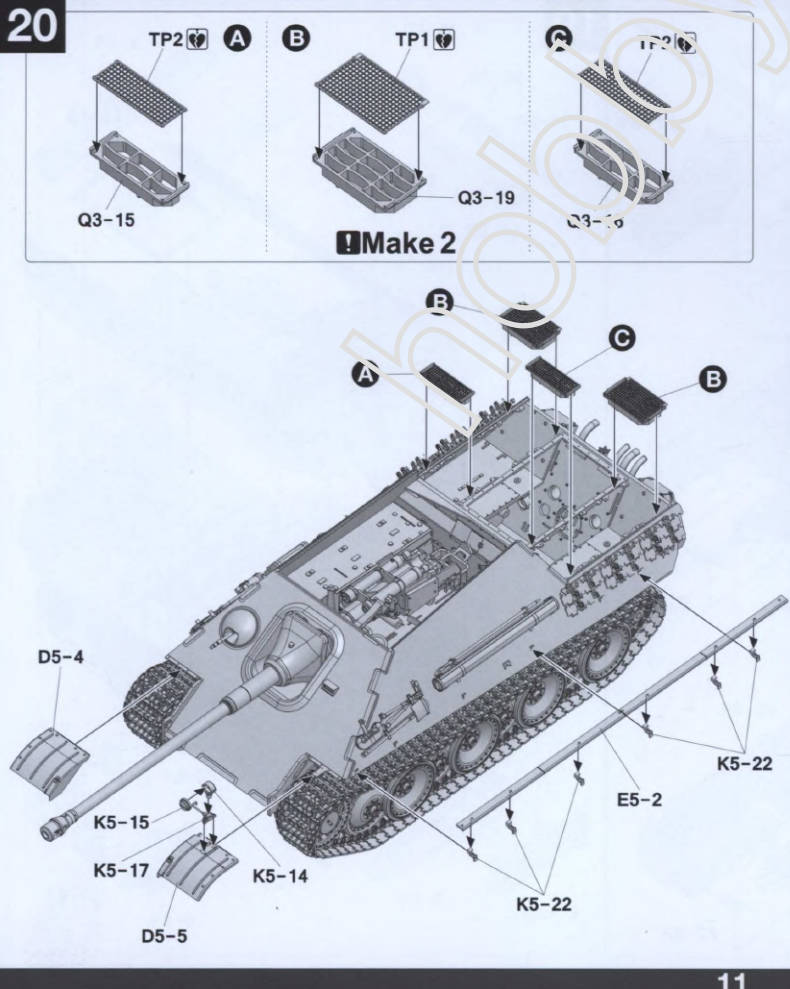


19

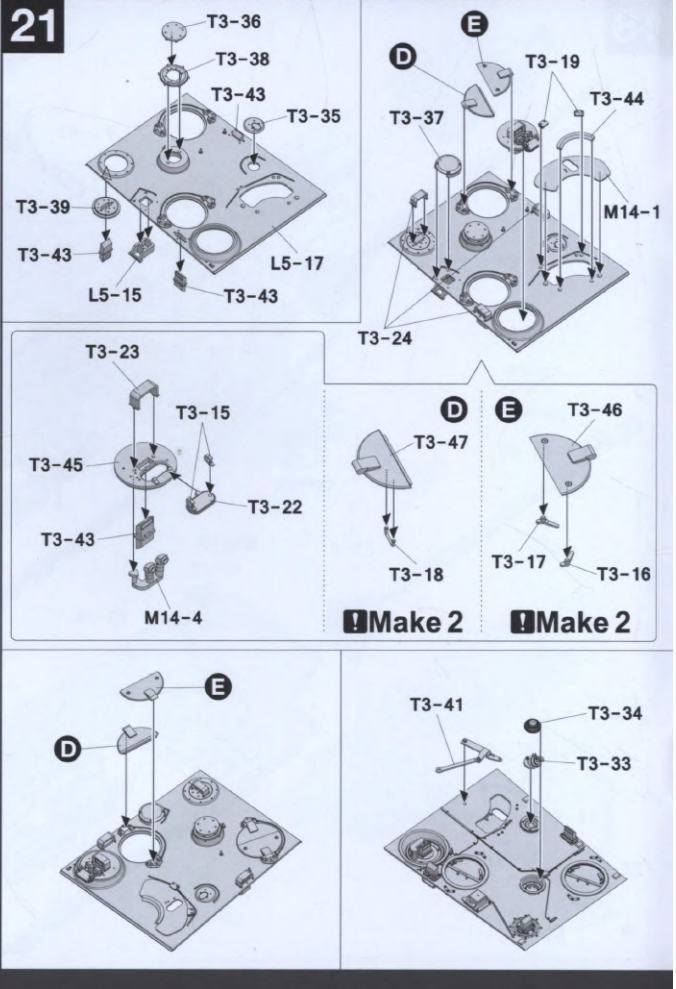


10

20

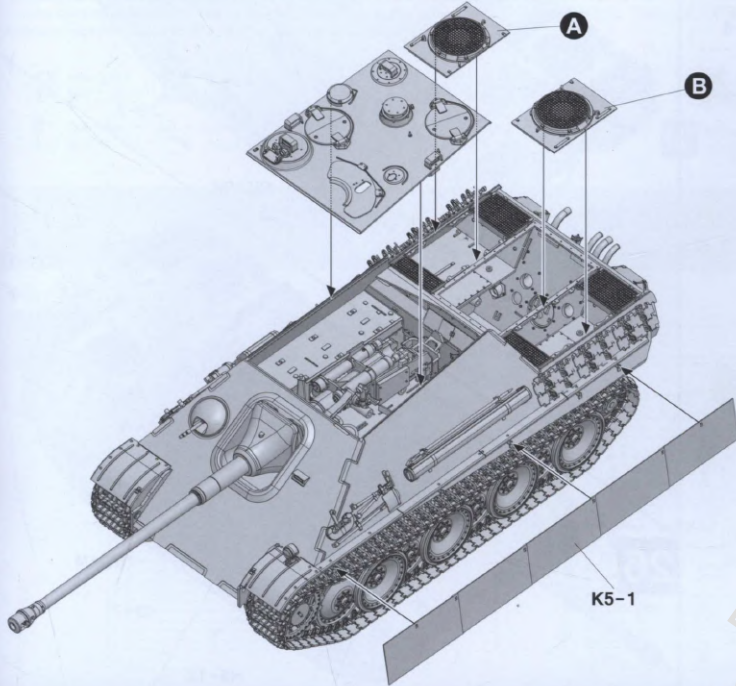
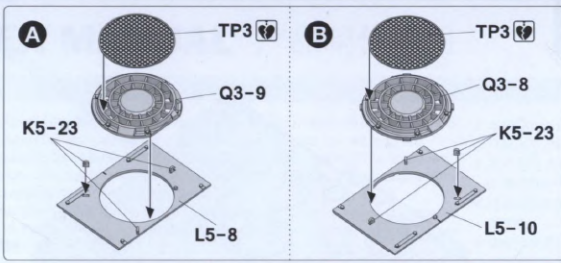


21

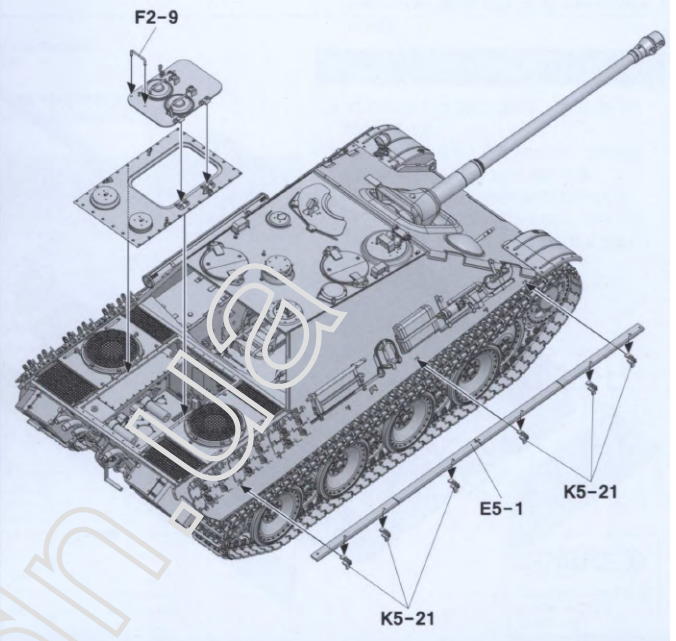
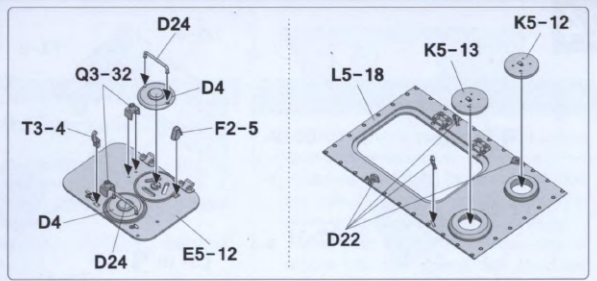


11

22

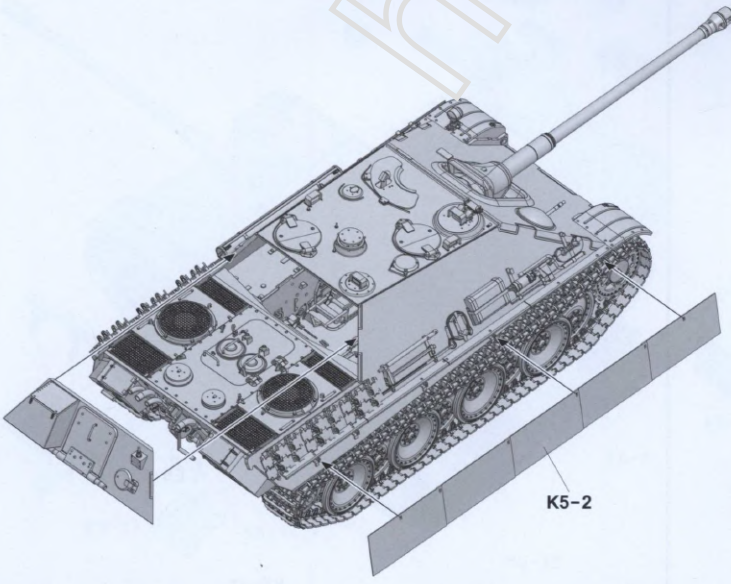
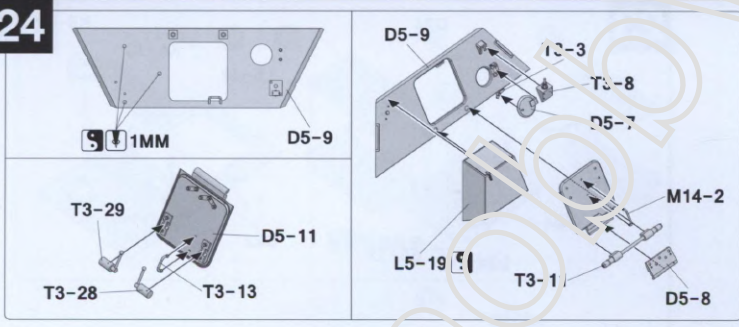


23

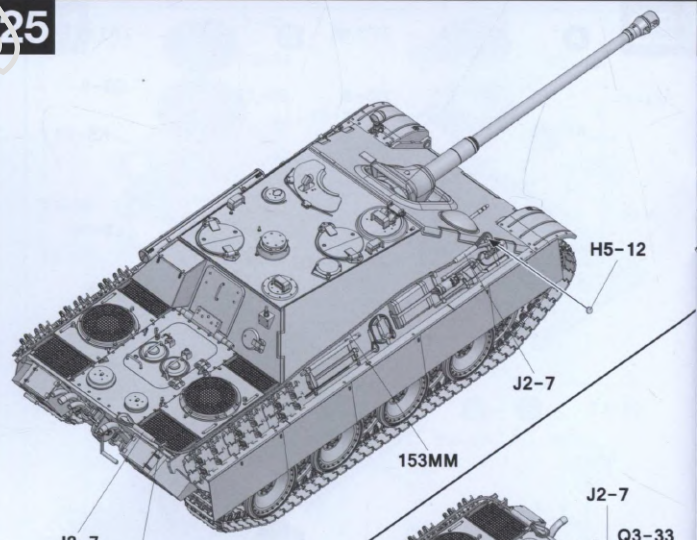


12

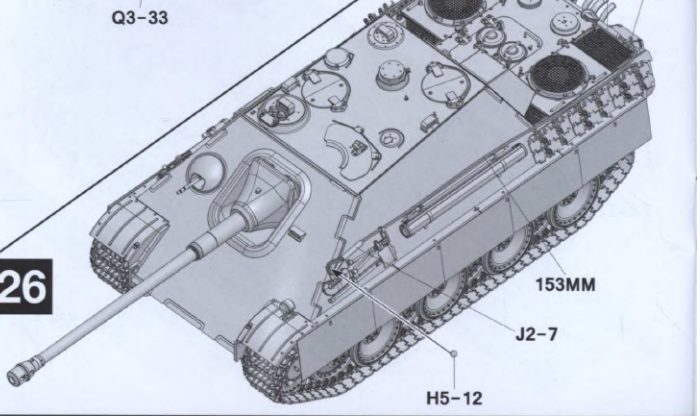
24



25



26



13

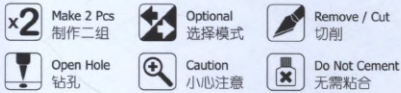
USER MANUAL 产品制作手册

Please read the following before assembly

制作前请仔细阅读以下事项

1. This product is the parts of the unassembled precision models. It requires special tools to assemble and paint the model. Glue, paint or tools are not included.
2. This product is for children of 14 and up, younger children should be under adult supervision. For those who will make the model and caregivers, please read manual carefully to understand the procedures.
3. Please be careful when using special model scissors, pencil sharpener or special dedicated file to remove the excess plastic materials on the surface. Do not damage or lose.
4. Please use special adhesive to assemble model parts. Please use power glue for metal parts carefully since it might cause be too powerful for the parts.
5. Please read the notes before using glue, painting or decal.

1. 本产品为未组装的比例模型套装零件，需要使用模型专用制作工具自行组装和上色。本产品内不含粘合剂、喷漆和工具。
2. 本产品适合14岁以上儿童和成年模型爱好者，低年龄者请在成人监督看护下制作。制作者和看护者请仔细阅读本制作手册，了解基本制作流程和注意要点。
3. 请小心使用模型专用剪、专用笔刀或专用锉刀去除零件表面多余注塑胶料，不要损坏或丢失。
4. 请使用模型专用粘合剂粘零件组装。金属零件粘合请小心使用强力胶，过量强力胶使用可能导致可动零件完全粘合。
5. 使用粘合剂、喷漆和水贴之前请阅读相关注意事项。



14+ Kit suitable for ages 14 to adult
本产品适合14岁以上青少年及成人收藏者

Warning

- ▲ Do not use glue or paint near the fire, please keep good air circulation.
- ▲ Please be careful with the tips of both tools and parts. Please pay special attention to photo-etch parts to avoid scratch or injury.
- ▲ Please keep away from children, pets or anyone who need special care. Avoid any possible injury from small parts and tools. Please keep plastic bags away from children or pets.

特别注意

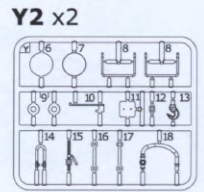
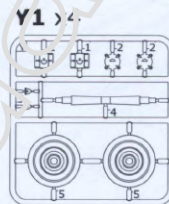
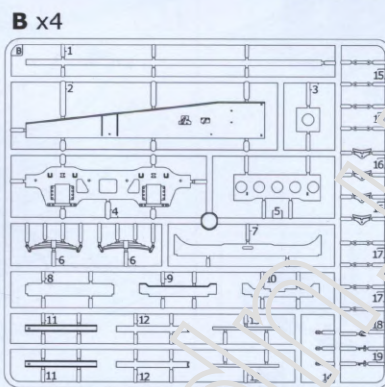
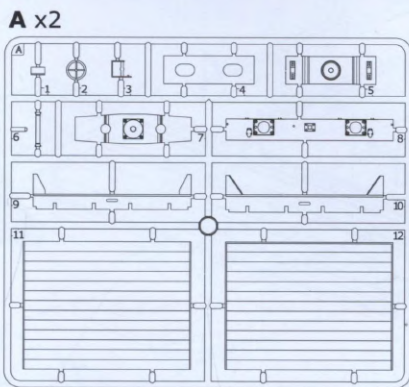
- ▲ 切勿在近火处使用胶水或喷漆，请保持制作环境的空气流通。
- ▲ 请小心制作工具和产品零件的尖端，处理蚀刻片时请特别注意，防止划伤，避免伤害。
- ▲ 制作时请远离儿童、宠物和需受监护的人员，避免细小零件和工具对其造成损伤。请将产品中的包装塑胶袋远离儿童和宠物避免发生窒息危险！

1/35 Scale
Item No 35A02

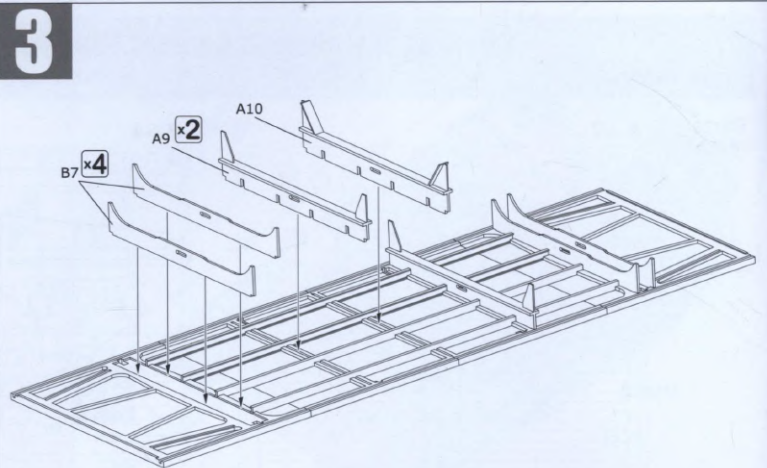
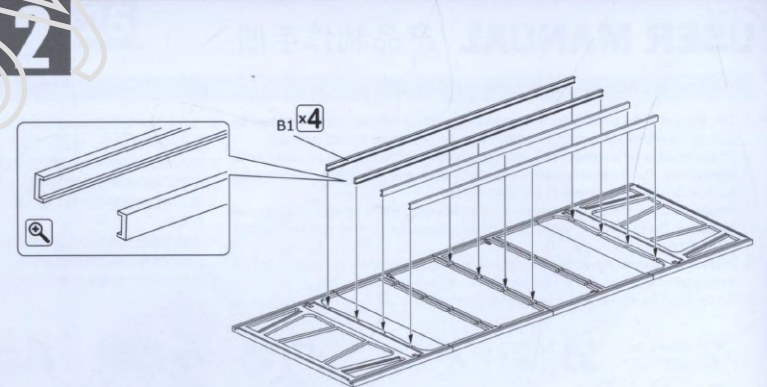
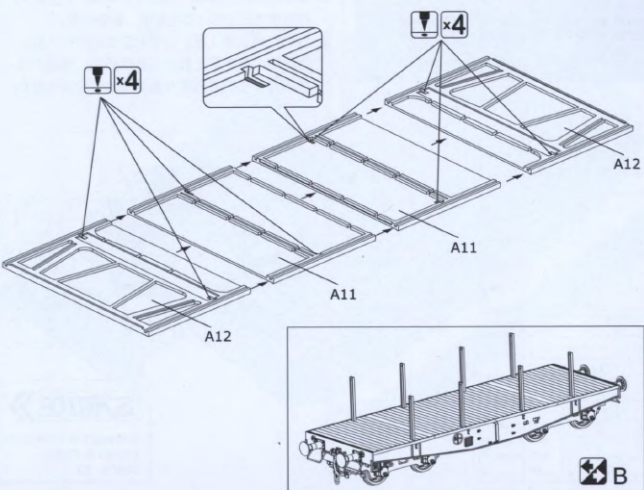
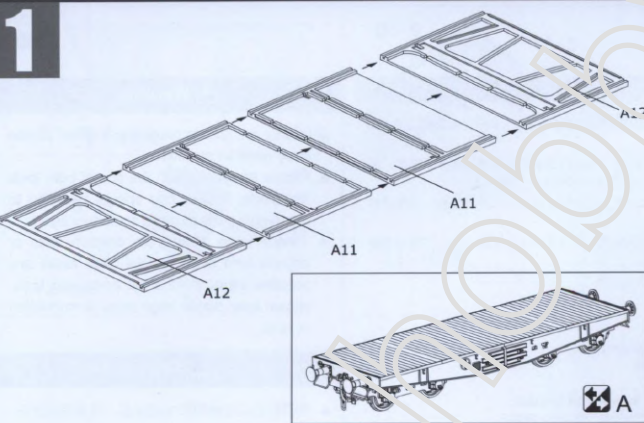
German Railway Schwerer Plattformwagen Type S5s

德国8轮轨道平板运输车 ドイツ制8輪レール輸送車

Parts
零件图

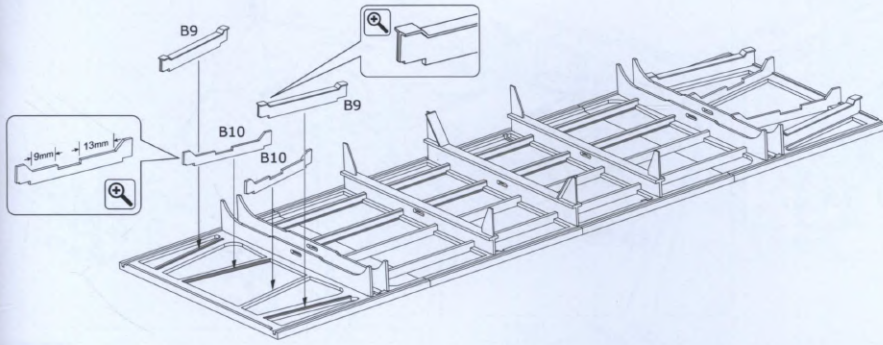


14

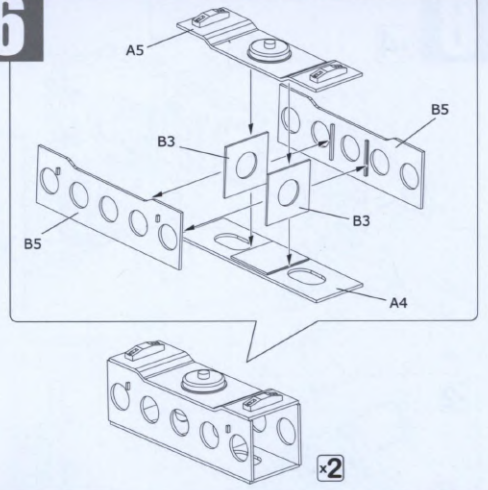


15

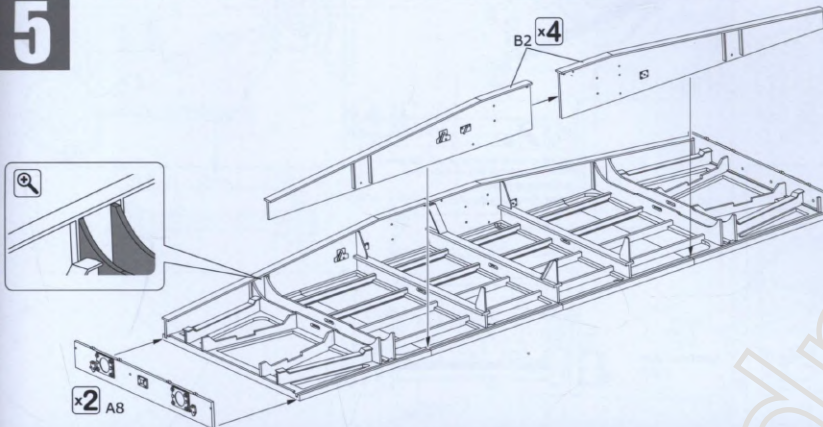
4 x2



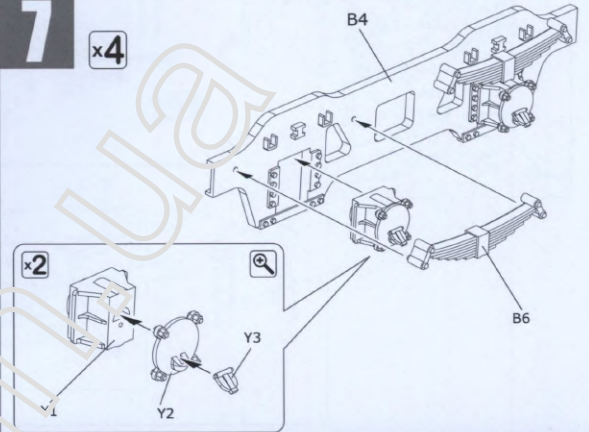
6



5

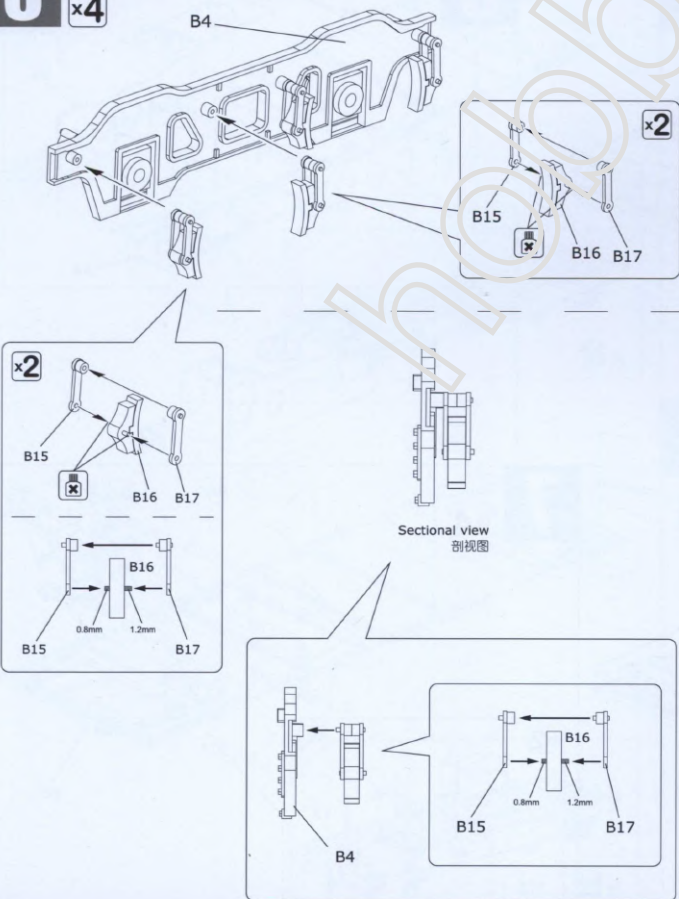


7

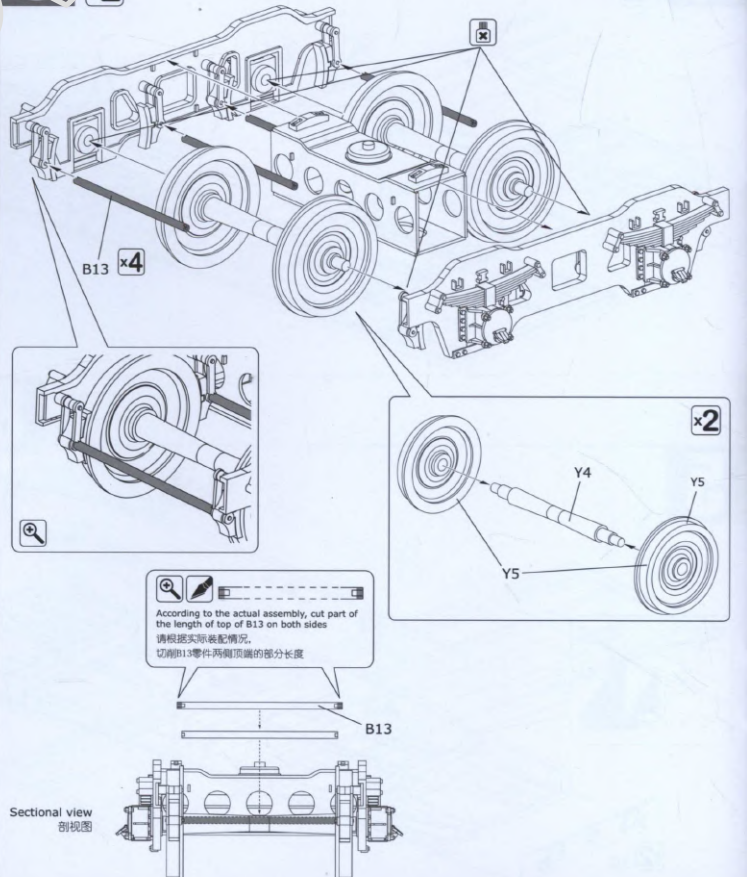


16

8 x4

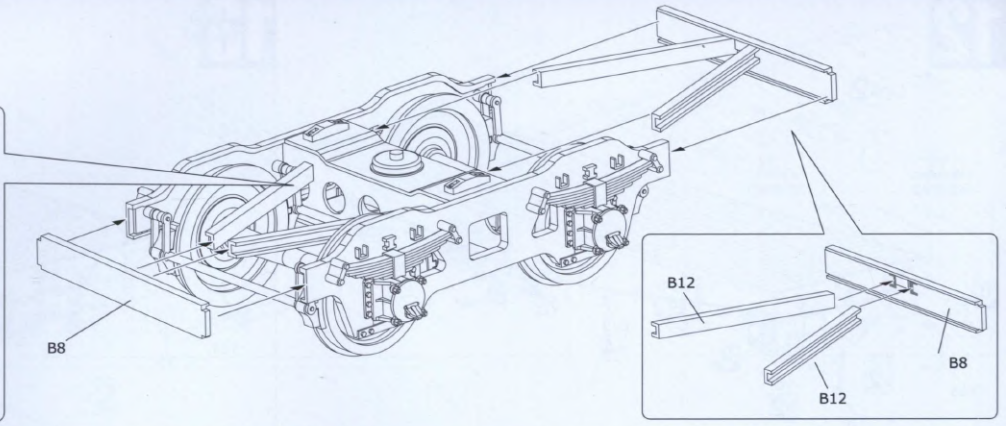
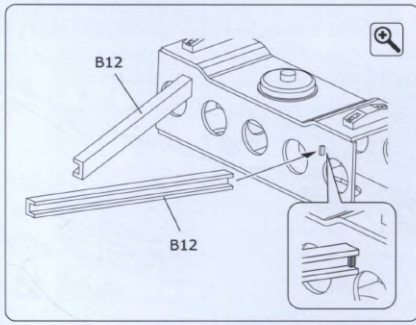


9 x2

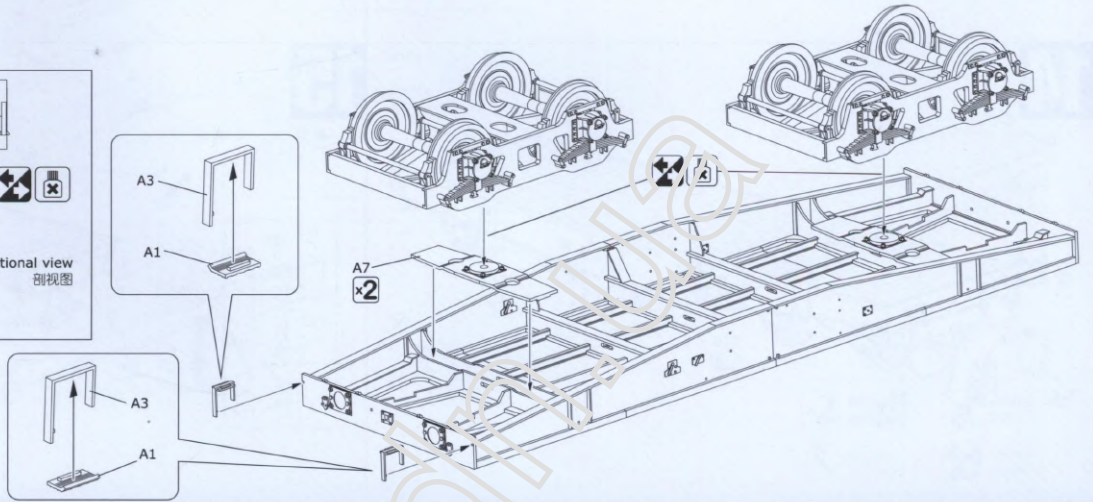
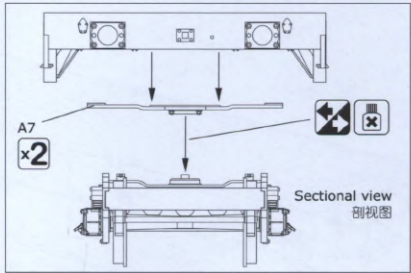


17

10 x2

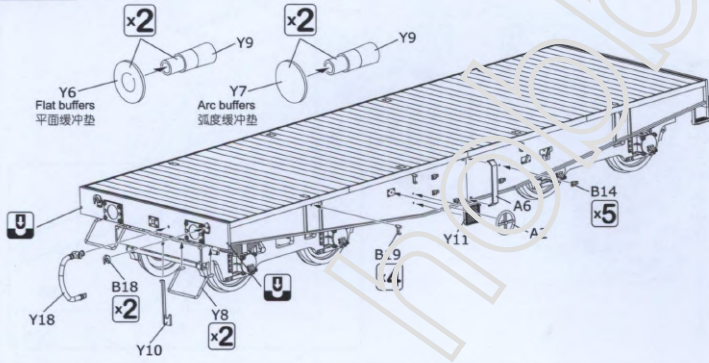


11

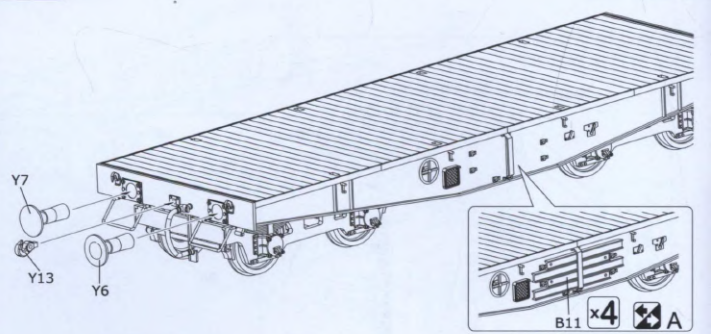


18

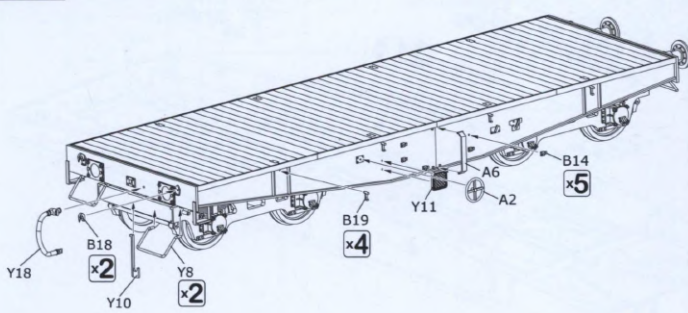
12



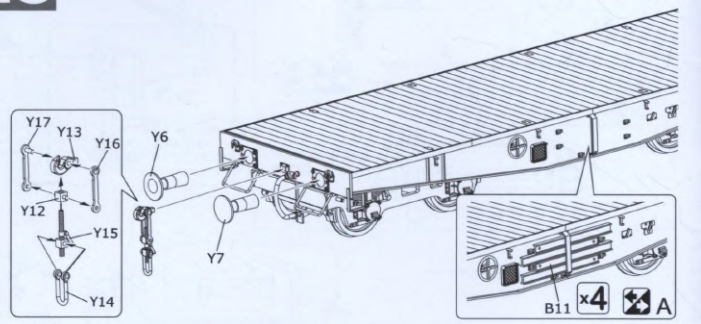
13



14



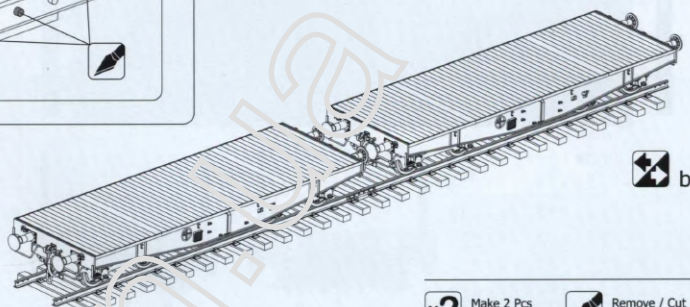
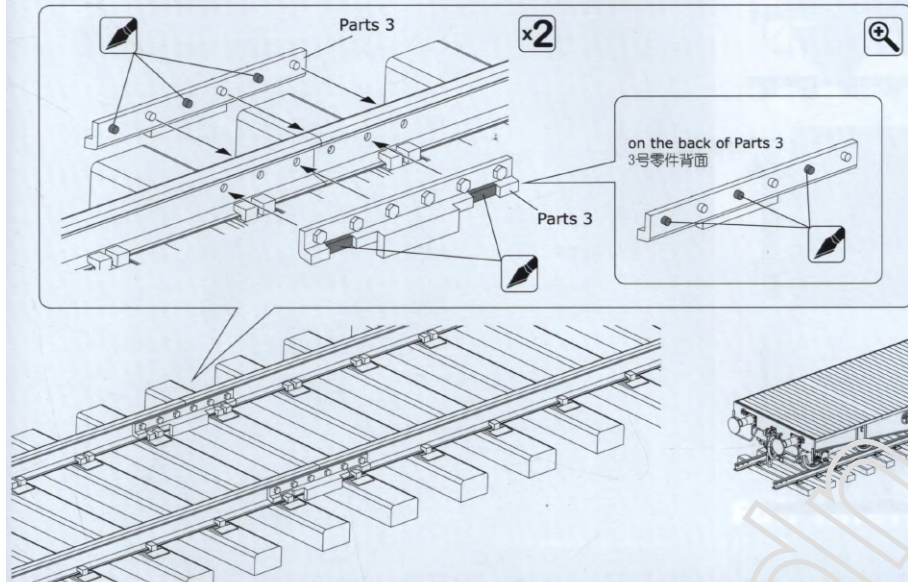
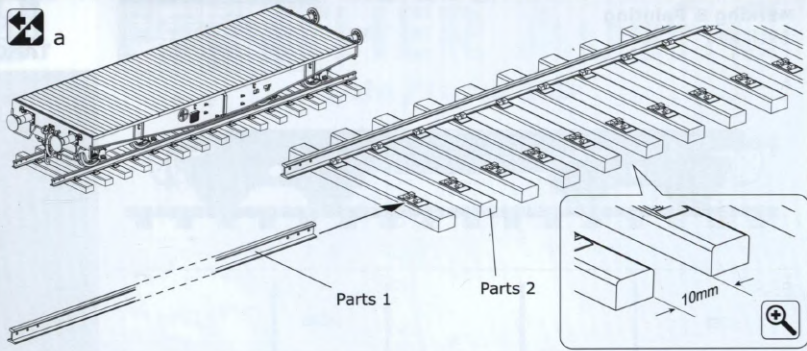
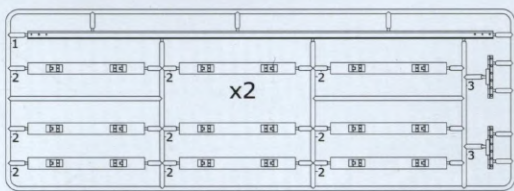
15



19

1/35 Scale 铁路轨道
RAILWAY TRACK SET
 For railcar wheels carrier

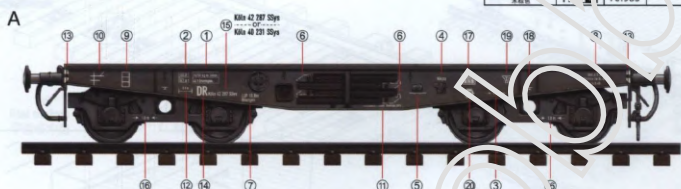
Parts
零件图



- x2** Make 2 Pcs 制作二组
- Remove / Cut 切割
- Caution 小心注意
- Optional 选择模式

Marking & Painting
涂装和标贴

Color	Mr.Hobby	Vallejo	Tamiya
Field Gray	H 17	70.830	TM63
Steelwheel	H 17	70.864	
Wood Brown	X 17	70.983	



- Decal application**
- Clean model parts surface with wet cloth.
 - Cut each required design out of decal sheet and dip them in clean warm water for about 15 sec.
 - Place decal on proper position of kit surface and slide off base paper carefully.
 - Move design to exact position with wet finger tip.
 - Press decal gently down with a soft cloth until excess water and air bubbles are gone.

- 水贴使用说明**
- 用湿布将模型表面擦拭干净。
 - 将所需图案剪下并放入清水中浸泡约15秒。
 - 将图案移至模型表面合适位置并小心将底纸移开。
 - 手指蘸水后将图案移动到模型表面正确的位置上。
 - 用柔软布料轻轻按压图案，直至图案和模型表面多余水分和气泡。

03.03.2125



Jagdpanther Ausf.G1

www.migimenez.com



Painting and Marking Guide

TAKOM Ref: 2125
 Jagdpanther Ausf.G1 Mid/Late Production.

I Kompanie, s. Pz. Jg. Abt.559, Holland, Summer 1944

- AMMO 033** Rubber & Tires
- AMMO 035** Dark Flocks
- AMMO 038** Light Wood
- AMMO 041** Dark Earth
- AMMO 045** Gun Metal
- AMMO 096** Crystal
- AMMO 002** Dragon's Op.2
- AMMO 016** Dunkelgrün
- AMMO 014** Schokobrunn
- AMMO 036** Old Wood



WEATHERING STEPS WITH AMMO PRODUCTS

- 1 GENERAL WASH**
A.MIG-1008 Dye Wash
- 2 TRACK WASH**
A.MIG-1102 Track Wash
- 3 STRAKING**
A.MIG-1203 Straking Cream
- 4 RUST**
A.MIG-1204 Straining/Strater Rust
- 5 RUST**
A.MIG-1205 Rust
- 6 MID & SPLASHES**
A.MIG-1701 Thin Gull / A.MIG-1701 Dry Dipper
- 7 BRACK & ICE**
A.MIG-1408 Fresh Engine Oil

Painting and Marking Guide
TAKOM Ref: 2125
 Jagdpanther Ausf.G1 Mid/Late Production.

- A.MIG 033 Rubber & Tires
- A.MIG 035 Dark Tracks
- A.MIG 038 Light Wood
- A.MIG 040 Medium Rust
- A.MIG 045 Gun Metal
- A.MIG 096 Crystal Periscope Green
- A.MIG 002 Chlorine Cap 2
- A.MIG 010 Dunkelgrün Mid-war
- A.MIG 014 Schokobraun
- A.MIG 036 Old Wood

I Kompanie, s. Pz. Jg. Abt. 559, Holland, Summer 1944.



WEATHERING STEPS WITH AMMO PRODUCTS

- 1 GENERAL WASH
A.MIG-1008 Dark Brown Wash for Green vehicles
- 2 FILTER
A.MIG-1510 Tan for 3 Tone Camo
- 3 STREAKING
A.MIG-1253 StreakingGreaser/Glaze
- 4 TRACK WASH
A.MIG-1002 Tracks Wash
- 5 RUST
A.MIG-3510 Rust
- 6 DIRT
A.MIG-3011 Airfield Dirt
- 7 MID & SPLASHES
A.MIG-1794 Heavy Earth / A.MIG-1793 Toned Oil
- 8 GREASE & OIL
A.MIG-1408 Fresh Engine Oil

Painting and Marking Guide
TAKOM Ref: 2125
 Jagdpanther Ausf.G1 Mid/Late Production.

- A.MIG 033 Rubber & Tires
- A.MIG 035 Dark Tracks
- A.MIG 037 New Wood
- A.MIG 040 Medium Rust
- A.MIG 045 Gun Metal
- A.MIG 096 Crystal Periscope Green
- A.MIG 010 Dunkelgrün Mid-war
- A.MIG 036 Old Wood
- A.MIG 008 Dunkelgrün

I Kompanie, s. Pz. Jg. Abt. 654, France, Spring 1944.



WEATHERING STEPS WITH AMMO PRODUCTS

- 1 GENERAL WASH
A.MIG-1008 Dark Brown Wash for Dark Yellow
- 2 FILTER
A.MIG-1511 Brown Wash for Dark Yellow
- 3 STREAKING
A.MIG-1253 Streaking Grease
- 4 TRACK WASH
A.MIG-1002 Tracks Wash
- 5 RUST
A.MIG-1254 Streaking Rust
- 6 DIRT
A.MIG-3011 Airfield Dirt
- 7 MID & SPLASHES
A.MIG-1794 Heavy Earth / A.MIG-1793 Toned Oil
- 8 GREASE & OIL
A.MIG-1408 Fresh Engine Oil

Painting and Marking Guide
TAKOM Ref: 2125
 Jagdpanther Ausf.G1 Mid/Late Production.

- A.MIG 033 Rubber & Tires
- A.MIG 035 Dark Tracks
- A.MIG 038 Light Wood
- A.MIG 040 Dark Rust
- A.MIG 045 Gun Metal
- A.MIG 096 Crystal Periscope Green
- A.MIG 001 Chlorine Cap 1
- A.MIG 010 Dunkelgrün Mid-war
- A.MIG 014 Schokobraun
- A.MIG 036 Old Wood

II Kompanie, s. Pz. Jg. Abt. 654, France, August 1944.



WEATHERING STEPS WITH AMMO PRODUCTS

- 1 GENERAL WASH
A.MIG-1008 Brown Wash for Dark Yellow
- 2 FILTER
A.MIG-1510 Tan for 3 Tone Camo
- 3 STREAKING
A.MIG-1253 StreakingGreaser/Glaze
- 4 TRACK WASH
A.MIG-1002 Tracks Wash
- 5 RUST
A.MIG-1253 Streaking Rust Effects
- 6 DIRT
A.MIG-3013 Puddle
- 7 MID & SPLASHES
A.MIG-1793 Heavy Earth / A.MIG-1792 Toned Glaze
- 8 GREASE & OIL
A.MIG-1408 Fresh Engine Oil

Painting and Marking Guide
TAKOM Ref: 2125
 Jagdpanther Ausf.G1 Mid/Late Production.

- A.MIG 033 Rubber & Tires
- A.MIG 035 Dark Tracks
- A.MIG 038 Light Wood
- A.MIG 041 Dark Rust
- A.MIG 045 Gun Metal
- A.MIG 096 Crystal Periscope Green
- A.MIG 001 Chlorine Cap 1
- A.MIG 010 Dunkelgrün Mid-war
- A.MIG 014 Schokobraun
- A.MIG 036 Old Wood

III Kompanie, s. Pz. Jg. Abt. 654, France, Summer 1944.



WEATHERING STEPS WITH AMMO PRODUCTS

- 1 GENERAL WASH
A.MIG-1008 Dark Wash
- 2 FILTER
A.MIG-1510 Tan for 3 Tone Camo
- 3 STREAKING
A.MIG-1253 StreakingGreaser/Glaze/Grey Glaze
- 4 TRACK WASH
A.MIG-1002 Tracks Wash
- 5 RUST
A.MIG-1204 Streaking Rust Effects
- 6 DIRT
A.MIG-3004 Europe Earth
- 7 MID & SPLASHES
A.MIG-1794 Heavy Earth / A.MIG-1793 Toned Oil
- 8 GREASE & OIL
A.MIG-1408 Fresh Engine Oil

03.03.2125



Jagdpanther Ausf.G1

www.migjmodels.com



Painting and Marking Guide

TAKOM Ref: 2125

Jagdpanther Ausf.G1 Mid/Late Production

III Kompanie, 4. Pz. Jg. Abt.654, France, Summer 1944

A.MIG 033 Rubber & Tires	A.MIG 033 Dark Tracks	A.MIG 027 New Wood	A.MIG 040 Medium Rust
A.MIG 045 Gun Metal	A.MIG 096 Crystal Panzergrün Green	A.MIG 002 Olivegreen Clr 2	A.MIG 010 Darkslate Mid rust
A.MIG 014 Schokobraun	A.MIG 036 Old Wood		



WEATHERING STEPS WITH AMMO PRODUCTS

- | | | | |
|---|--|--|--|
| 1 ORIGINAL WASH
A.MIG-1022 Dark Brown Wash for Green vehicles | 3 DYEING
A.MIG-1028 Dark Striking Dyes | 5 RUST
A.MIG-2010 Rust | 7 AMMO & SPALLS
A.MIG-1700 Wet Mud - A.MIG-1754 Damp Earth |
| 2 FOCUS
A.MIG-1010 Tm for 3 Tone Camo | 4 TRACK WASH
A.MIG-1022 Tracks Wash | 6 RUST
A.MIG-3004 Europe Earth | 8 GREASE & OIL
A.MIG-1408 Fresh Engine Oil |

PANTHER Ausf.G

Late Production

w/IR & Air Defense Armour

- ▲ DETAILED STATIC DISPLAY PLASTIC MODEL
- ▲ TRACK ASSEMBLY IS AIDED WITH THE USE OF A JIG
- ▲ LINK & LENGTH STYLE TRACKS INCLUDED
- ▲ ALL HATCHES CAN BE BUILT IN OPEN OR CLOSED POSITION
- ▲ PE INCLUDED
- ▲ 7 TYPES OF MARKINGS



TREX Full Interior

- THIS IS A HIGHLY DETAILED PRECISION MODEL KIT
- READY TO BUILD FOR COLLECTORS OF AGE 14 YEARS AND ABOVE
- INCLUDES FULL INTERIOR FROM IMAGE ON BOX
- ▲ CEMENT PAINT NOT INCLUDED

JASON 2019



hobby.com.ua