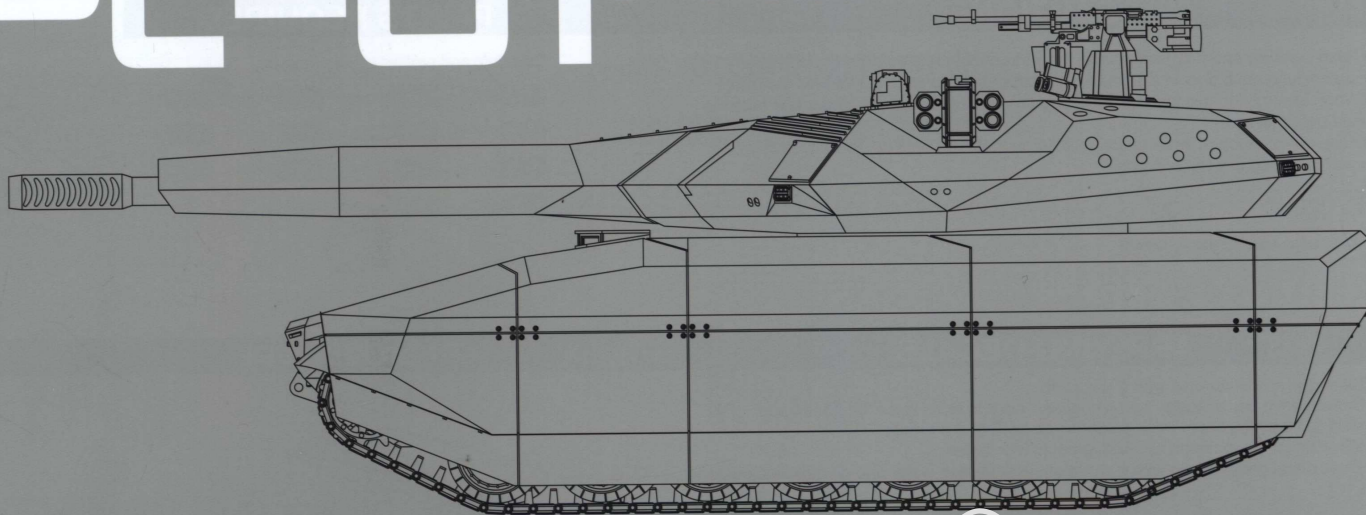


PL-01 PROTOTYPE



Based on the Swedish CV90120-T light tank, the PL-01 concept tank was jointly developed by Obrum of Poland and BAE Systems of the United Kingdom in 2013. The engine compartment is located at the front of the hull, and the unmanned turret has options to mount 105mm or 120mm weapons to fire classic ammunition or anti-aircraft guided missiles. The PL-01 was designed with lots of angles to reduce its radar signature and mounts temperature-controlled cooled wafers on the hull and turret to increase its stealth by using camouflage, allowing the PL-01 to match the infrared signature of its environment to confuse the tracking systems of IR weapons.

The new Polish tank has modular armor protection with multilayer ceramic-aramid armor. Damaged add-on armor modules can be easily replaced in field conditions, and future upgrades can be readily integrated. The crew (commander and gunner) sit in the hull of the vehicle, and the rear part of the hull can be used to carry four infantrymen. A door is at the rear side of the hull, the upper part of which opens to the front while the lower part folds down to form a step. A high level of protection for the crew is achieved by a safety capsule embedded inside the vehicle, relying at the same time on highly effective active and passive protection systems such as the multilayer ceramic-aramid armor, additional spall liners for crew protection, automatic fire suppression and NBC protection system. The hull has a high level of protection against landmines and improvised explosive devices, designed to withstand explosions equivalent to 10 kg of TNT anywhere under the hull. The frontal armor with add-on armor modules provides protection against 30 - 40 mm armor-piercing rounds, and all-around protection against 14.5 mm armor-piercing rounds.

The Fire Control System is integrated with an active protection system, communication system and battlefield management system, and integrates two sights with the third generation, thermal, day cameras and laser rangefinders. The Commander's panoramic sight with day camera, third generation thermal imager, and Laser Range Finder, works in a "hunter-killer" mode to locate and destroy targets without the gunner. The gunner's position is also equipped with a day camera, third generation thermal imager, and LRF. Loading is carried out via an autoloader unit located in the rear part of the turret, with 16 rounds ready to fire in the turret autoloader and 29 rounds stored inside the hull. Additional armament includes a 7.62mm coaxial machine gun and a remote-controlled weapon station which can be armed with 7.62 mm or 12.7 mm machine gun, or a 40 mm automatic grenade launcher. Two banks of four smoke grenade launchers are located at each side of the turret inside the armor.

03.02.2127

READ BEFORE ASSEMBLY

CAUTION

- Read carefully and fully understand the instructions before commencing assembly. A supervising adult should also read the instructions if a child assembles the model.
- When assembling this kit, tools including knives used. Extra care should be taken to avoid personal injury.
- Keep out of reach of small children. Children must not be allowed to suck any part, or pull vinyl bag over their heads.



Instant Glue for Metal



Do Not Cement

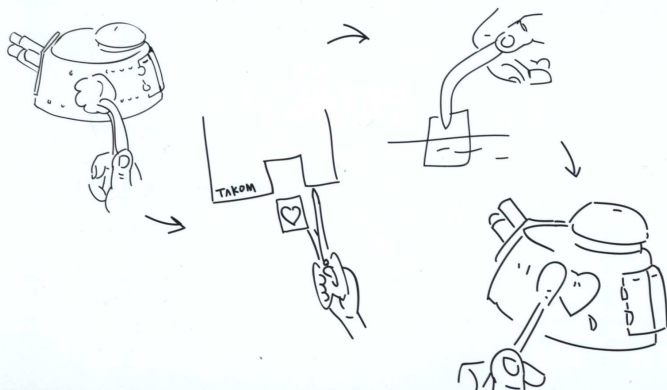
PAINTS REQUIRED

Color info and profiles by Mig Jimenez

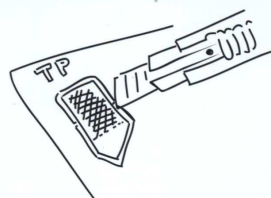
A.MIG-0033 Rubber & Tires	A.MIG-0035 Dark Tracks	A.MIG-0046 Matt Black	A.MIG-0195 Silver
A.MIG-0084 Crystal Glass	A.MIG-0096 Crystal Black Blue	A.MIG-0097 Crystal Orange	A.MIG-0098 IDF Green
A.MIG-0050 Matt White	A.MIG-0057 Yellow Grey	A.MIG-0084 Nato Green	A.MIG-0028 German Grey Beige
A.MIG-0004 Medium Gunship Gray	A.MIG-0085 Nato Brown		

APPLYING DECALS

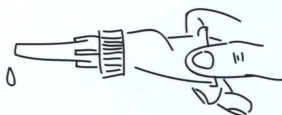
1. Clean the model surface with a wet cloth.
2. Cut out each decal design from sheet, and dip it in tepid water for 15-20 sec.
3. Hold the backing sheet edge and slide decal onto the model.
4. Move decal into position by wetting decal with finger.
5. Press decal gently down with a soft cloth until excess water and air bubbles are gone.



REMOVING PE



Be careful not to hurt when removing PE parts.

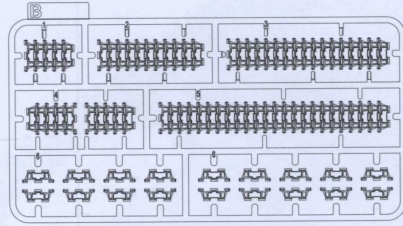
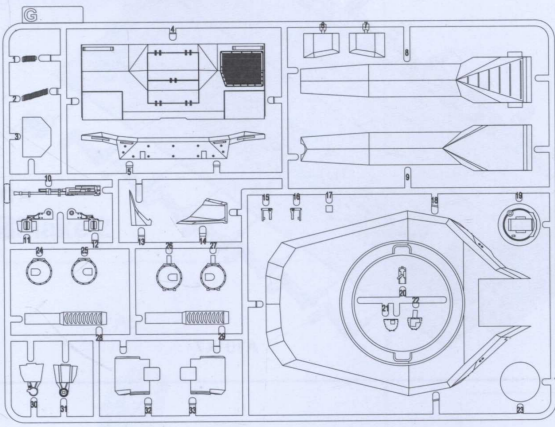


Secure using instant glue (not included).

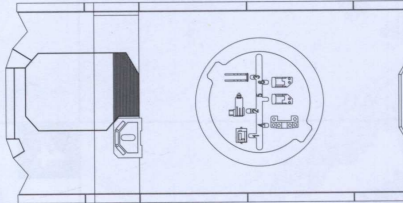


Finish using file.

PARTS



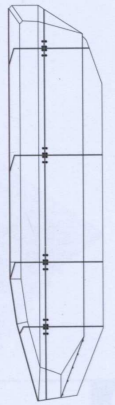
X2



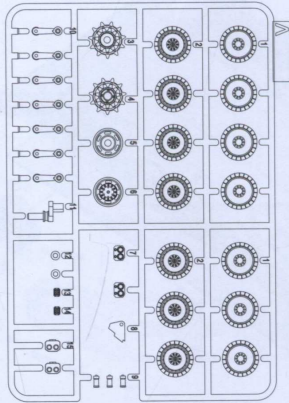
F



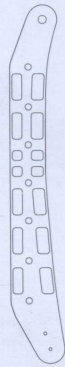
D



E



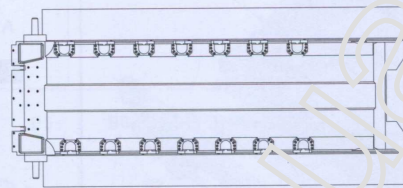
X2



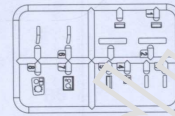
Z1



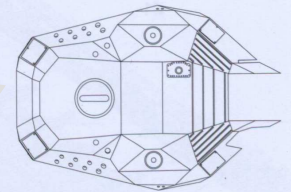
Z2



Lower Hull



TP

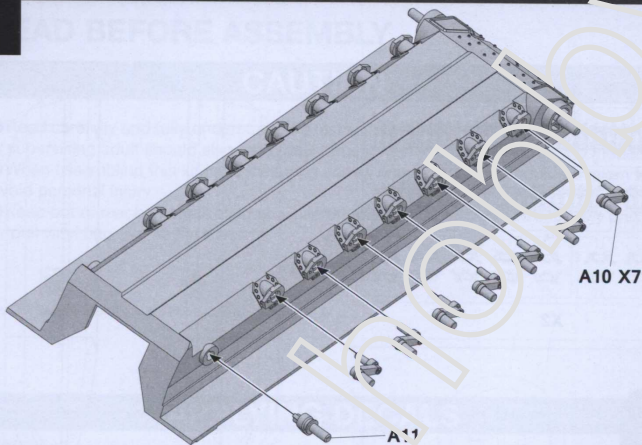


Turret



Decal

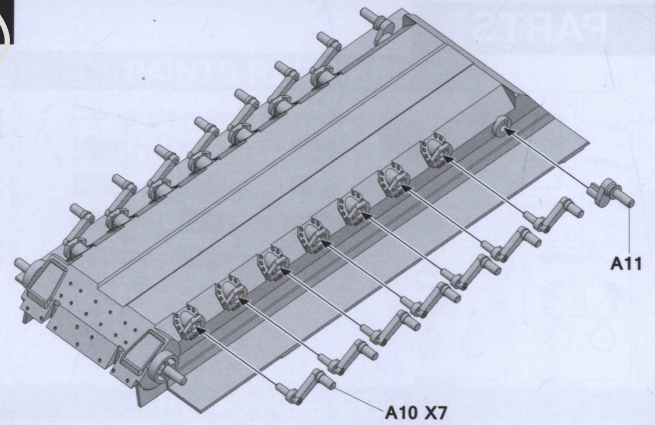
1



A10 X7

A1

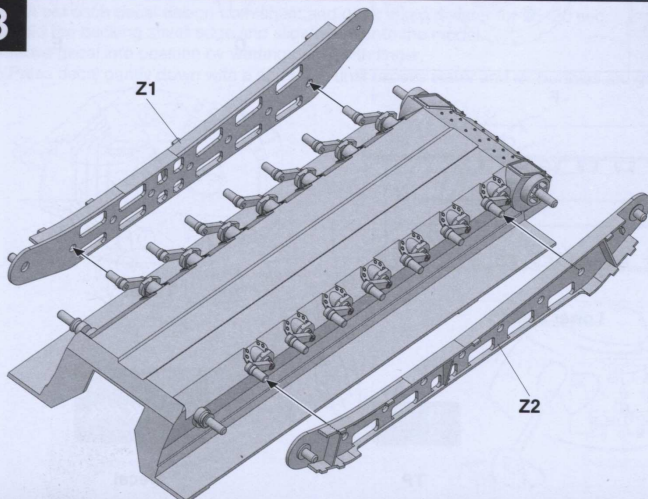
2



A11

A10 X7

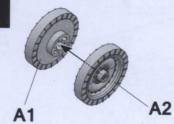
3



Z1

Z2

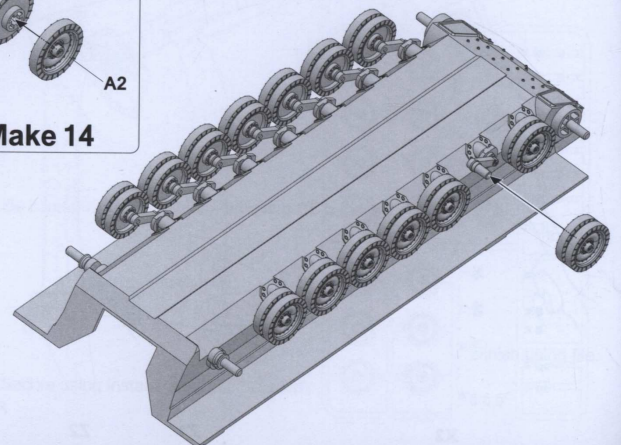
4



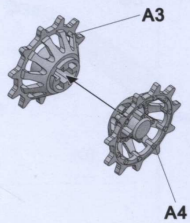
A1

A2

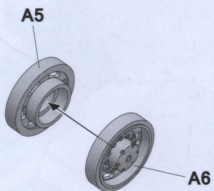
Make 14



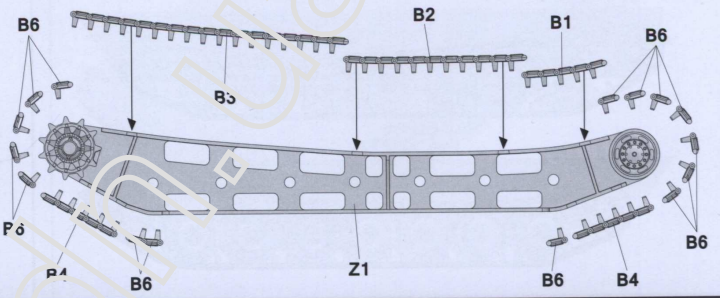
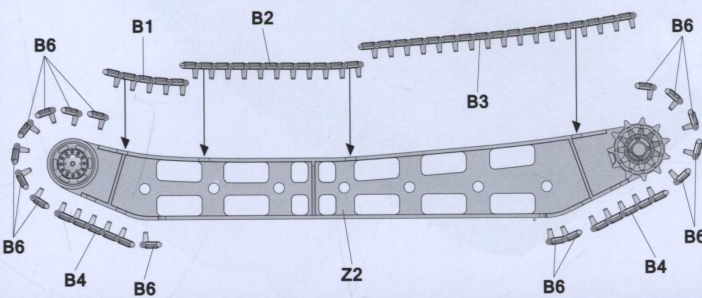
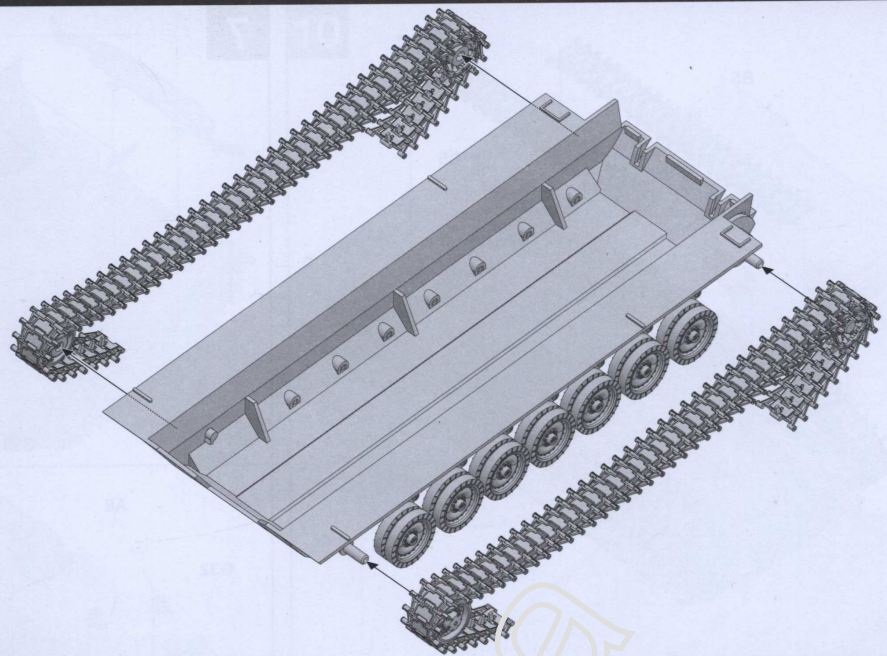
5



Make 2

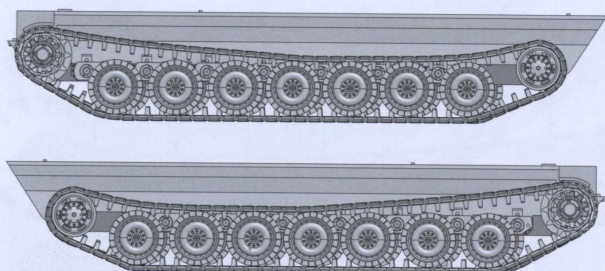
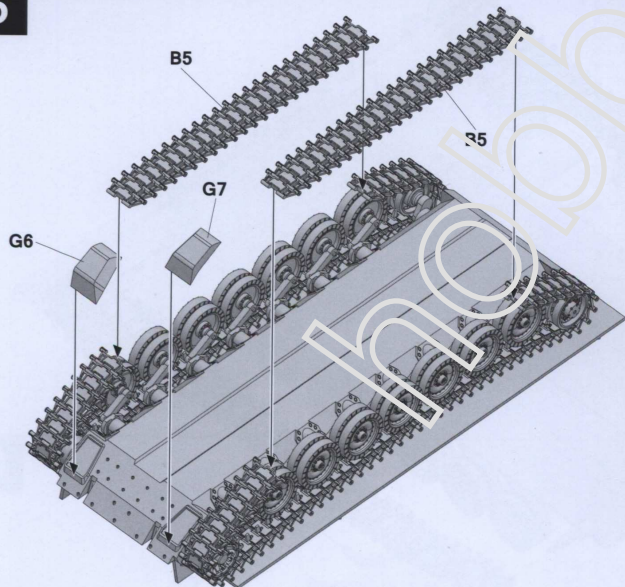


Make 2

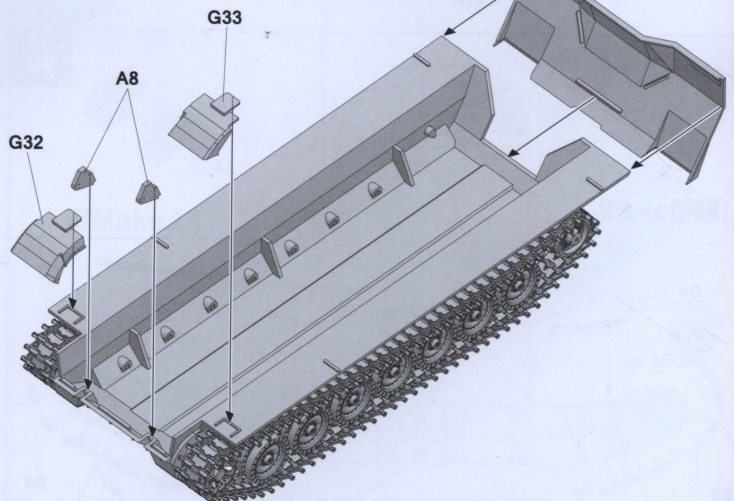
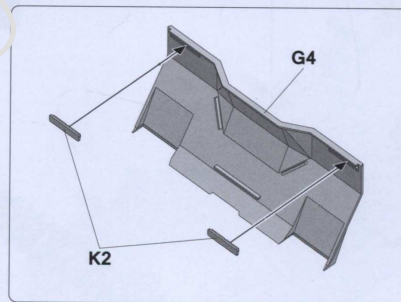


4

6

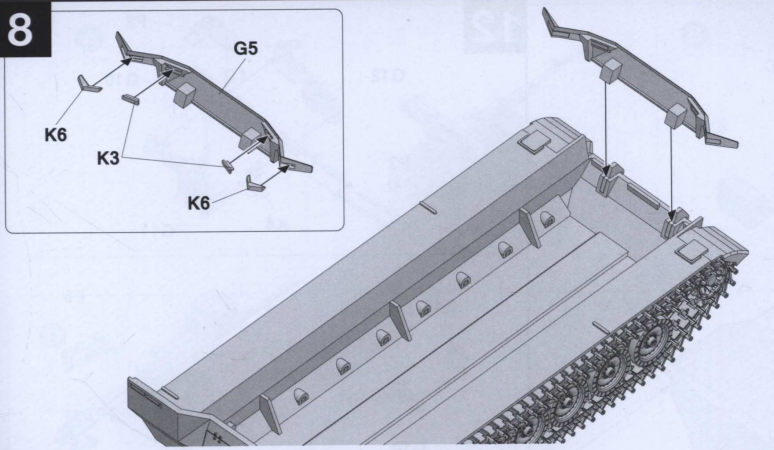


7

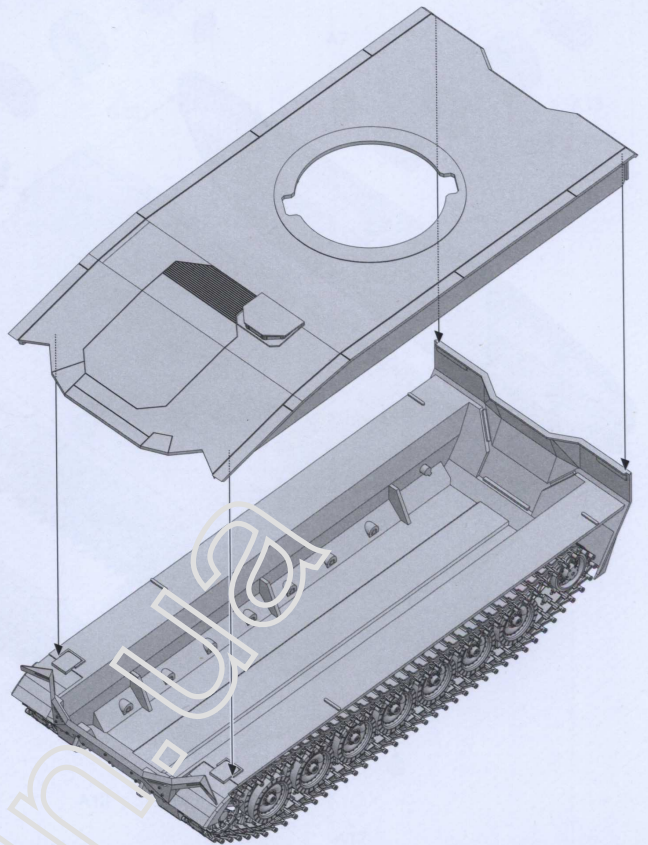


5

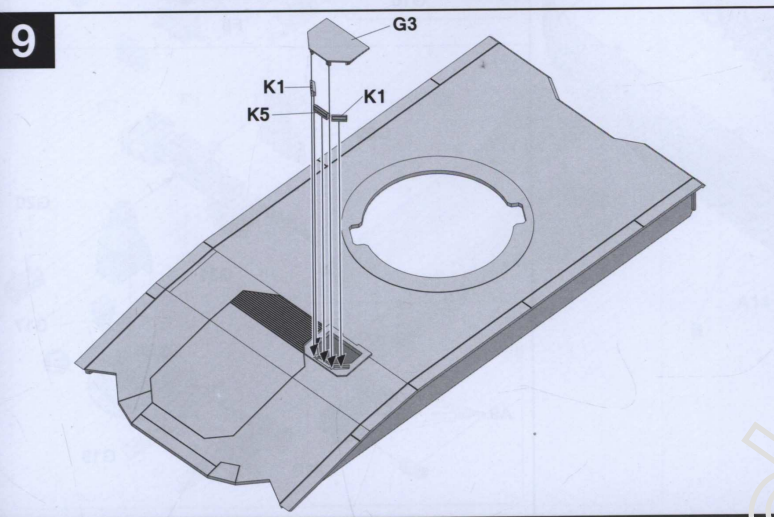
8



10

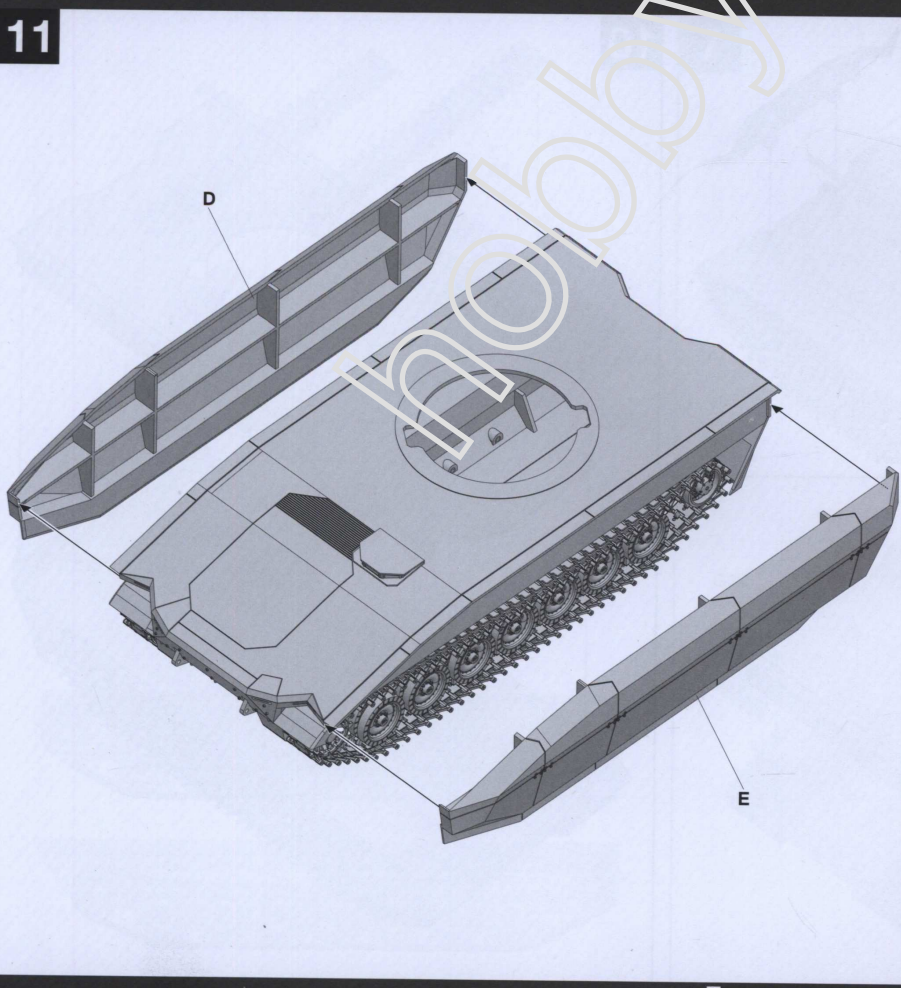


9



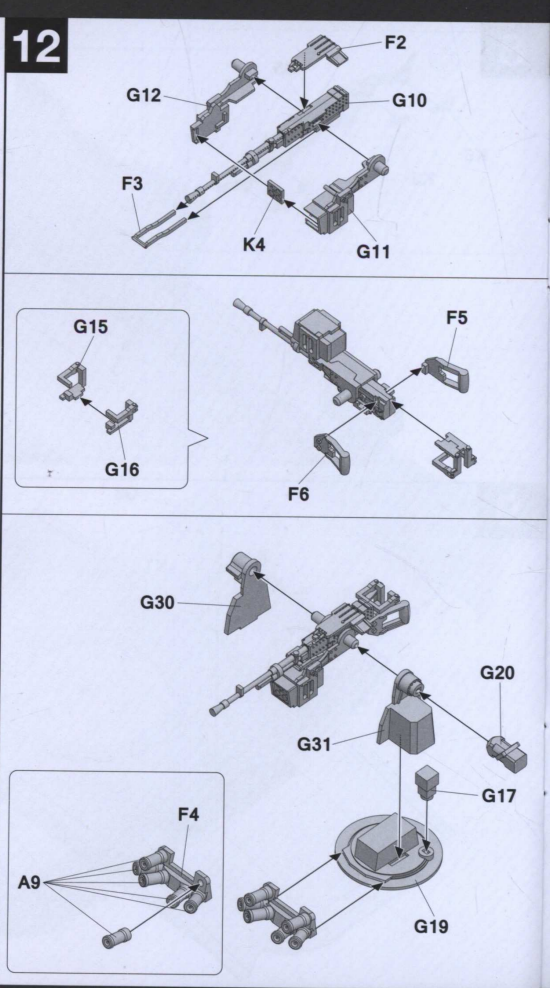
6

11



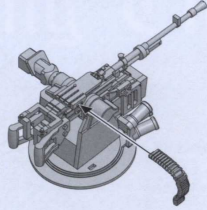
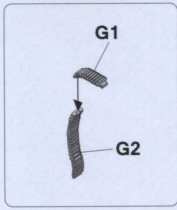
7

12

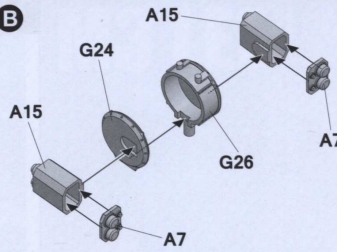


13

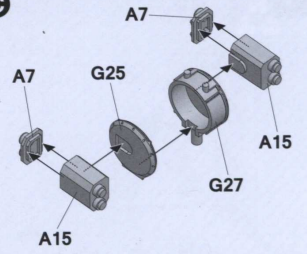
A



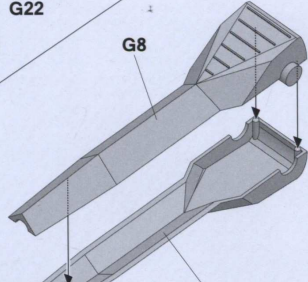
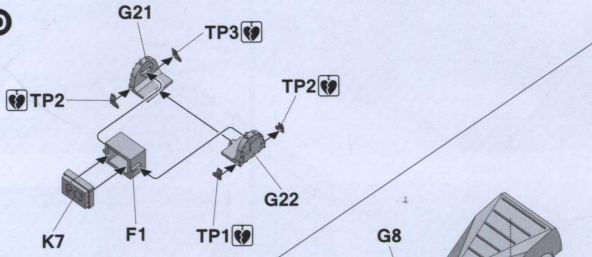
B



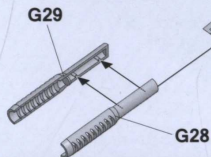
C



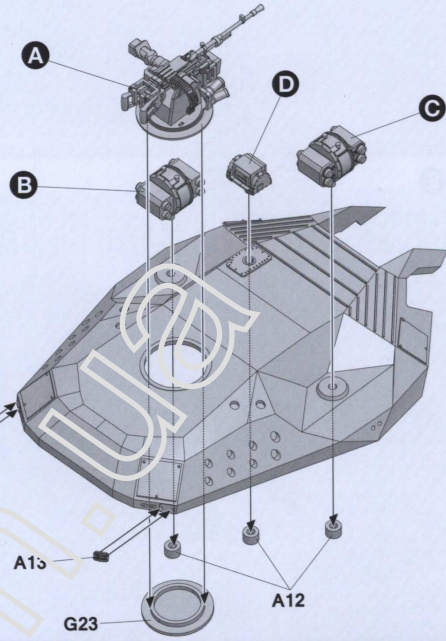
D



E



8

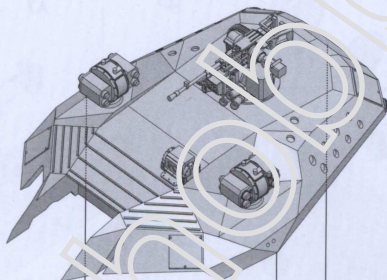
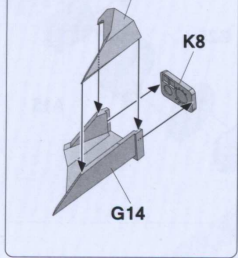


14

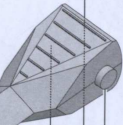
G13

K8

G14



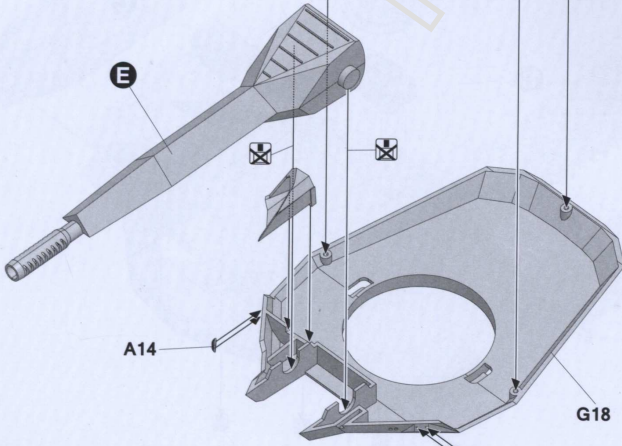
E



A14

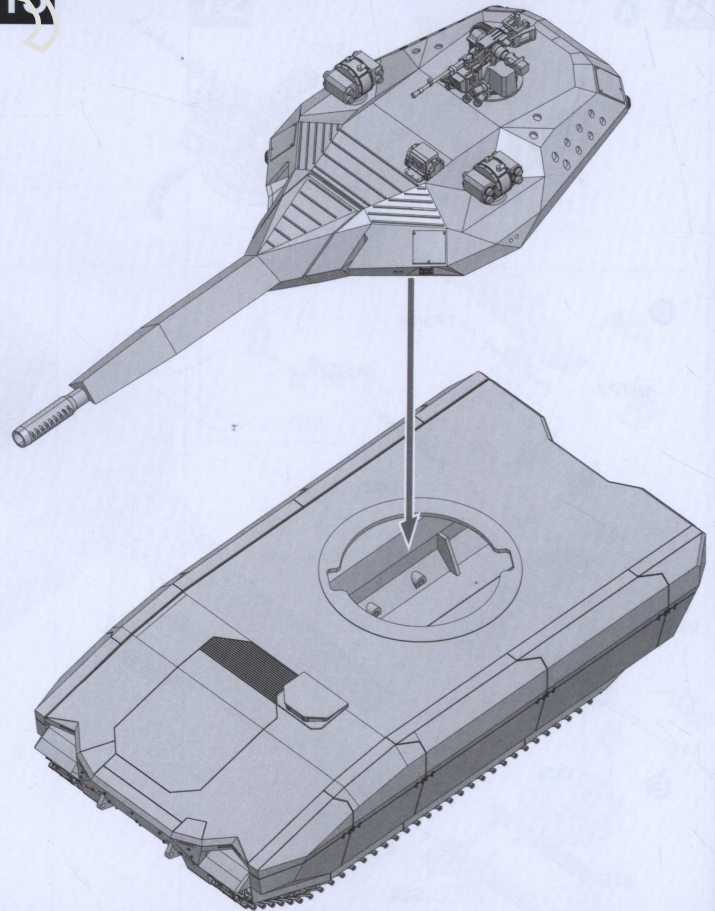
G18

A13



9

15

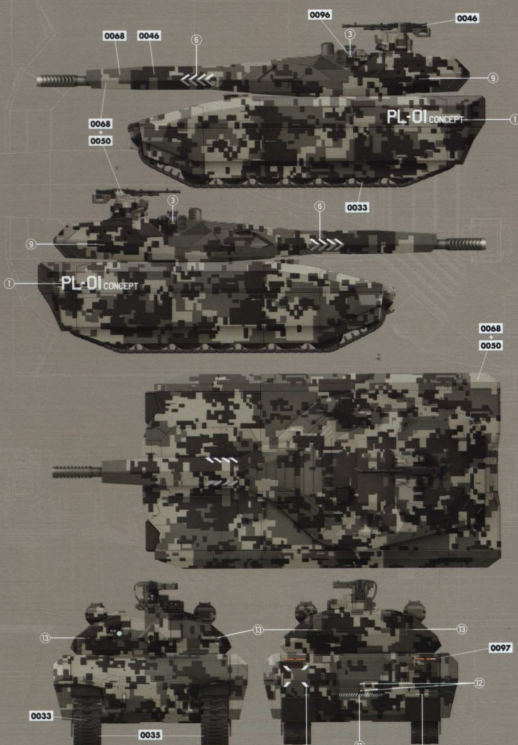


Painting and Marking Guide

TAKOM Ref: 2127

PL-01 Polish concept tank

- A.MIG-0033 Rubber & Tires
- A.MIG-0035 Dark Tracks
- A.MIG-0046 Matt Black
- A.MIG-0199 Silver
- A.MIG-0096 Crystal Glass
- A.MIG-0099 Crystal Black Blue
- A.MIG-0097 Crystal Orange
- A.MIG-0088 Matt Green
- A.MIG-0080 Matt White



WEATHERING STEPS WITH AMMO PRODUCTS

- 1 GENERAL WASH**
A.MIG-1008 Dark Wash
- 2 FILTER**
A.MIG-1510 Tan for 3 Tone Camo
- 3 STREAKING**
A.MIG-1206 Dark Streaking Grime
- 4 TRACK WASH**
A.MIG-1002 Tracks Wash
- 5 RAINMARKS**
A.MIG-1208 Rainmarks Effects
- 6 DIRT**
A.MIG-3028 City Dark Dust
- 7 MUD & SPLASHES**
A.MIG-1702 Mud Grout / A.MIG-1752 Loose Grout
- 8 GREASE & OIL**
A.MIG-1408 Fresh Engine Oil

Painting and Marking Guide

TAKOM Ref: 2127

PL-01 Polish concept tank

- A.MIG-0033 Rubber & Tires
- A.MIG-0035 Dark Tracks
- A.MIG-0046 Matt Black
- A.MIG-0199 Silver
- A.MIG-0096 Crystal Glass
- A.MIG-0099 Crystal Black Blue
- A.MIG-0097 Crystal Orange
- A.MIG-0057 Yellow Grey
- A.MIG-0084 Matt Green
- A.MIG-0028 German Grey Brn



WEATHERING STEPS WITH AMMO PRODUCTS

- 1 GENERAL WASH**
A.MIG-1008 Dark Wash
- 2 FILTER**
A.MIG-1511 Brown
- 3 STREAKING**
A.MIG-1207 Streaking/Grime Warm City Grey
- 4 TRACK WASH**
A.MIG-1002 Tracks Wash
- 5 RAINMARKS**
A.MIG-1208 Streaking/Grime Dust
- 6 DIRT**
A.MIG-3012 Sand
- 7 MUD & SPLASHES**
A.MIG-1701 Thin Salt / A.MIG-1751 Dry Slope
- 8 GREASE & OIL**
A.MIG-1408 Fresh Engine Oil

Painting and Marking Guide

TAKOM Ref: 2127

PL-01 Polish concept tank

- A.MIG-0033 Rubber & Tires
- A.MIG-0035 Dark Tracks
- A.MIG-0046 Matt Black
- A.MIG-0199 Silver
- A.MIG-0096 Crystal Glass
- A.MIG-0099 Crystal Black Blue
- A.MIG-0097 Crystal Orange
- A.MIG-0088 Matt Green
- A.MIG-0080 Matt White



WEATHERING STEPS WITH AMMO PRODUCTS

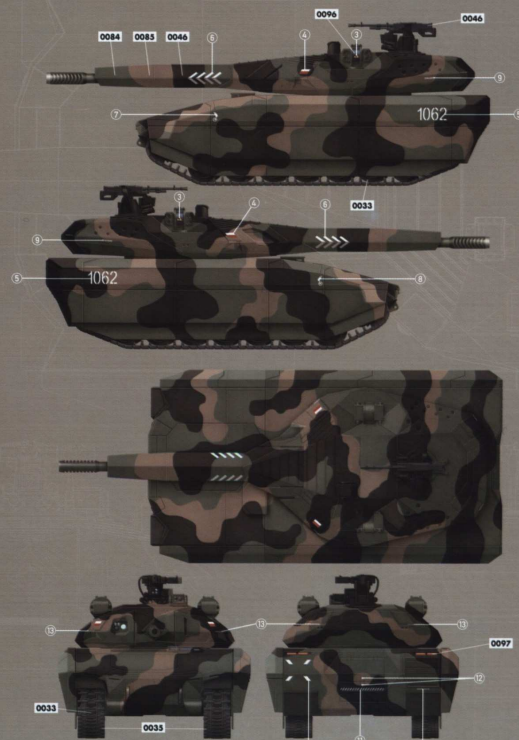
- 1 GENERAL WASH**
A.MIG-1008 Dark Brown Wash for Green Vehicles
- 2 FILTER**
A.MIG-1508 Green for Grey Green
- 3 STREAKING**
A.MIG-1203 Streaking Grime
- 4 TRACK WASH**
A.MIG-1002 Tracks Wash
- 5 RAINMARKS**
A.MIG-1208 Streaking/Grime Dust
- 6 DIRT**
A.MIG-3015 Brick Dust
- 7 MUD & SPLASHES**
A.MIG-1704 Heavy Earth / A.MIG-1753 Tanned Dirt
- 8 GREASE & OIL**
A.MIG-1408 Fresh Engine Oil

Painting and Marking Guide

TAKOM Ref: 2127

PL-01 Polish concept tank

- A.MIG-0033 Rubber & Tires
- A.MIG-0035 Dark Tracks
- A.MIG-0046 Matt Black
- A.MIG-0199 Silver
- A.MIG-0096 Crystal Glass
- A.MIG-0099 Crystal Black Blue
- A.MIG-0097 Crystal Orange
- A.MIG-0084 Matt Green
- A.MIG-0083 Matt Brown



WEATHERING STEPS WITH AMMO PRODUCTS

- 1 GENERAL WASH**
A.MIG-1008 Dark Brown Wash for Green Vehicles
- 2 FILTER**
A.MIG-1510 Tan for 3 Tone Camo
- 3 STREAKING**
A.MIG-1206 Streaking/Grime Green-Grey Grime
- 4 TRACK WASH**
A.MIG-1002 Tracks Wash
- 5 RAINMARKS**
A.MIG-1208 Streaking/Grime Dust
- 6 DIRT**
A.MIG-3004 Europe Earth
- 7 MUD & SPLASHES**
A.MIG-1702 Wet Mud / A.MIG-1754 Clump Earth
- 8 GREASE & OIL**
A.MIG-1408 Fresh Engine Oil