

# Sk61 Bulldog



## TARANGUS



TA4805

The Bulldog, initially developed by Beagle Aircraft, as the B.125 Bulldog, first flew on May 19, 1969. The first order for the type came from the Swedish Air Force. However, before any planes were actually built, Beagle Aircraft ceased trading and the production rights, along with the Swedish order, were transferred to Scottish Aviation.

The airplane was operated by the United Kingdom (130 a/c for the RAF, five of which were later transferred to the armed forces of Malta), Sweden (67 a/c for the air force, 20 for the army), Malaysia (15), Kenya (14), Ghana (13), Nigeria (37), Jordan (22), Lebanon (6), Hong Kong (2), Botswana (6) and one for a civilian customer in Venezuela.

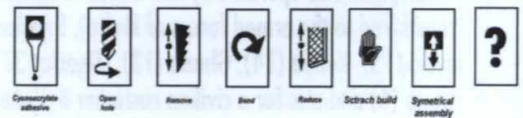
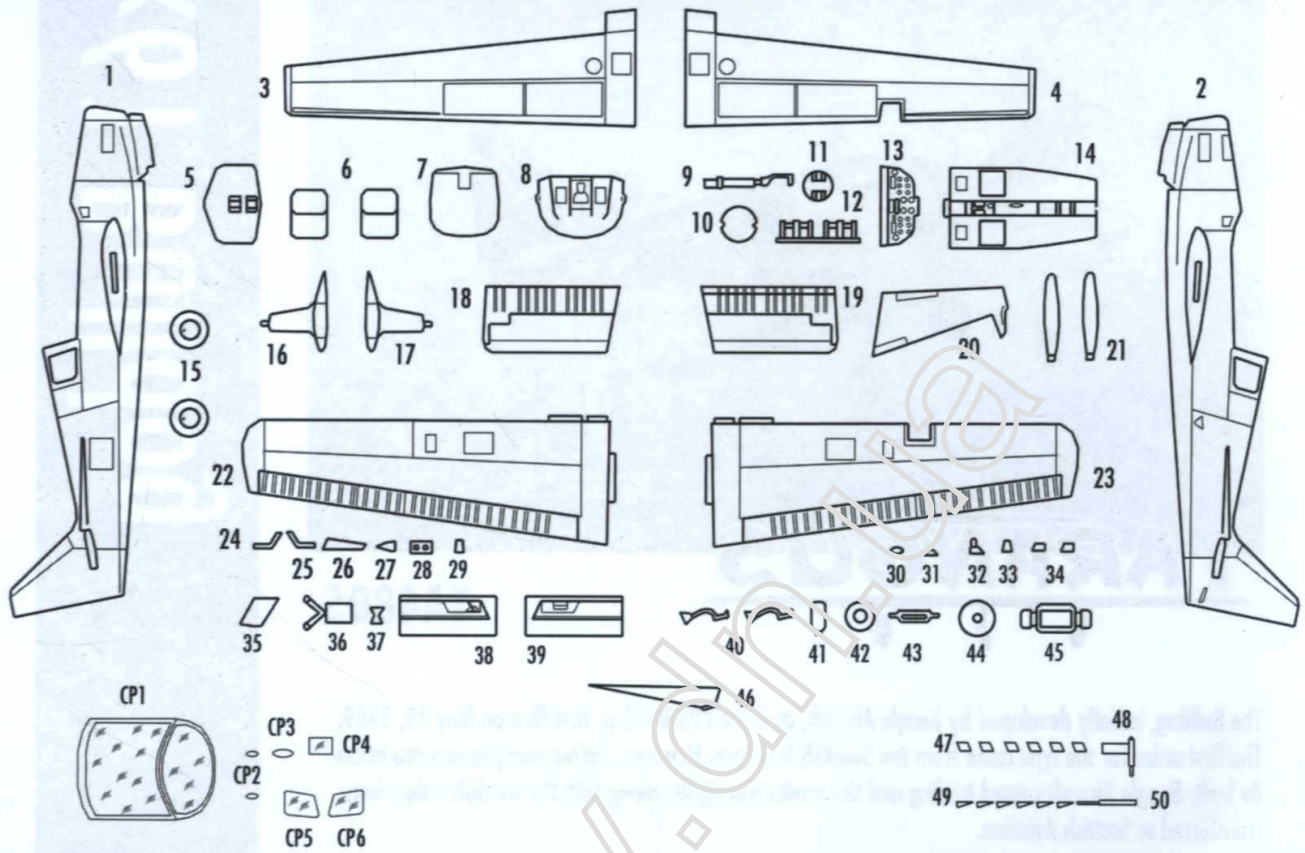
Today, many Bulldogs have found a new life with civilian operators, as both the RAF and the Swedish air force have sold off their aircraft.



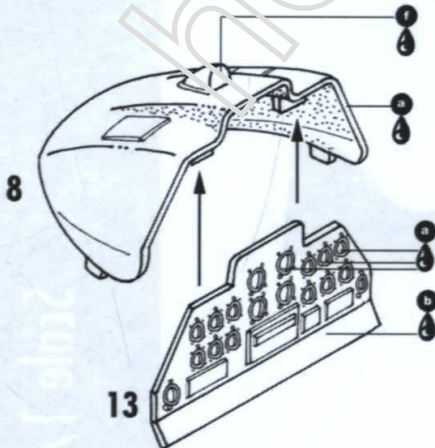
Scale 1/48

# Sk61 Bulldog

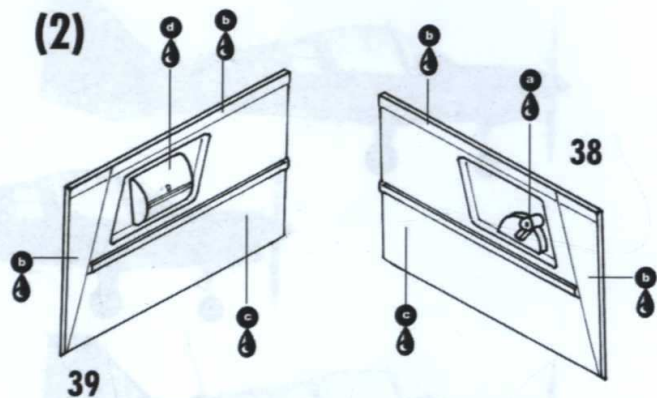
Scale 1/48



(1)



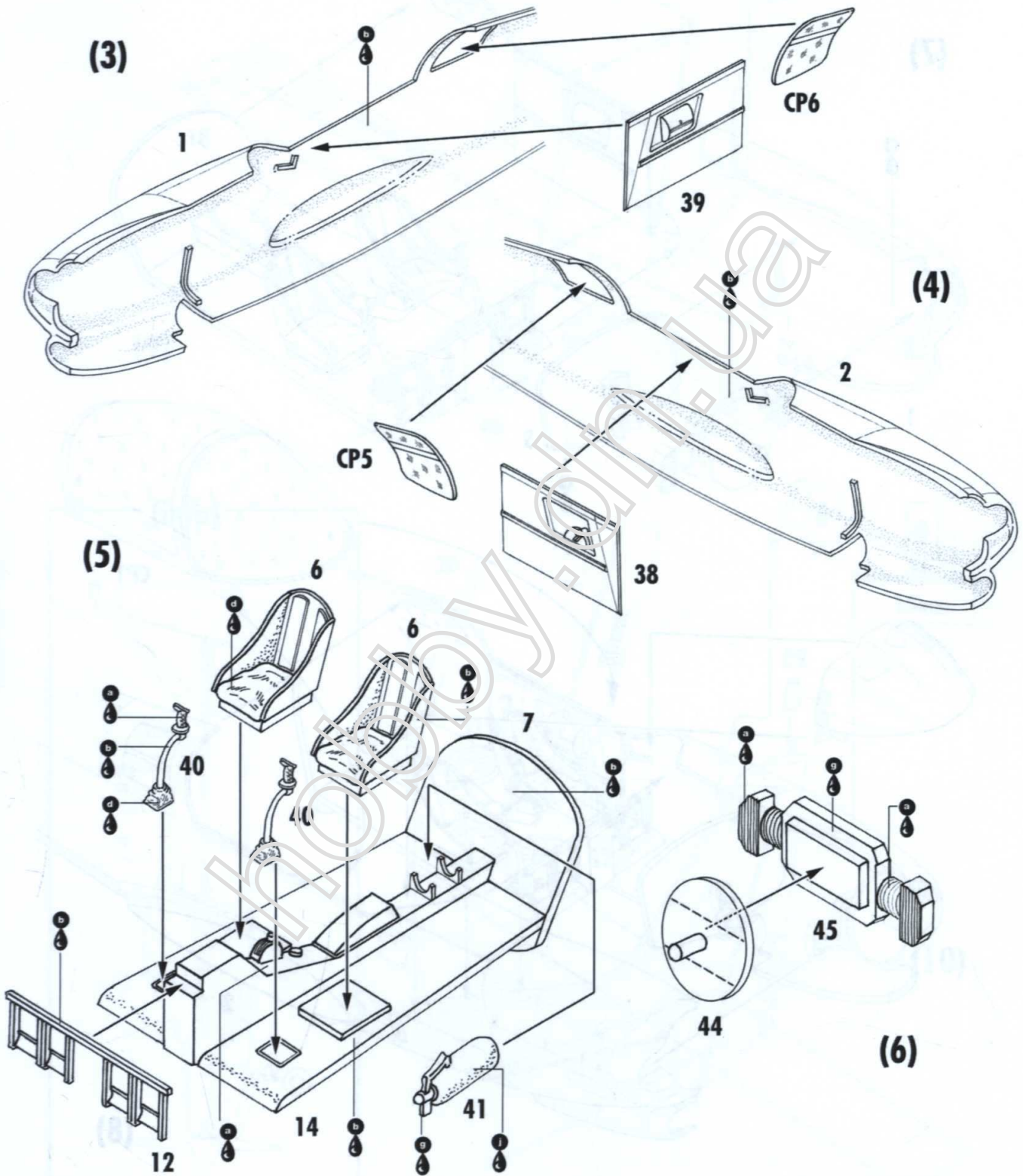
(2)





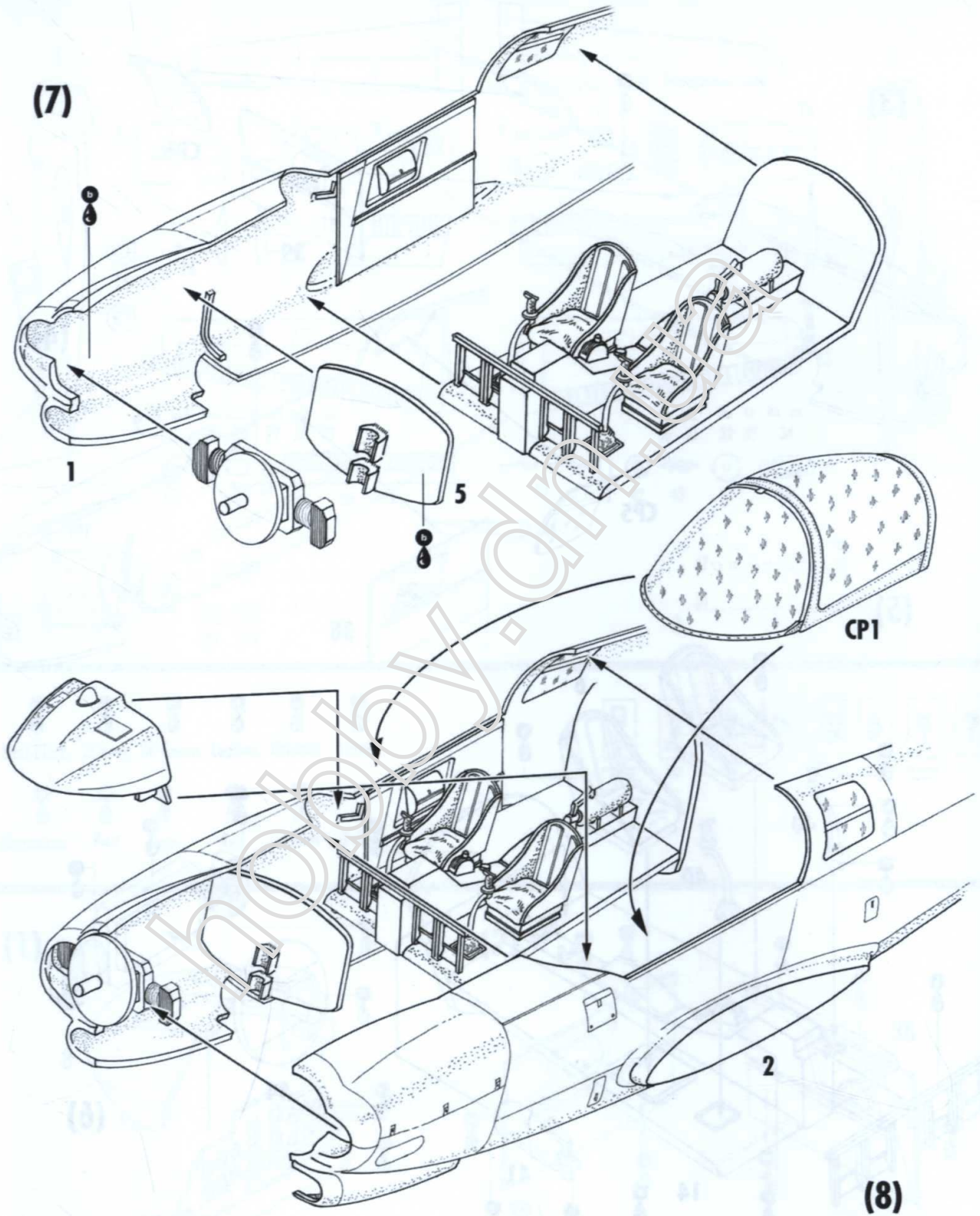
# Sk61 Bulldog

Scale 1/48



# Sk61 Bulldog

Scale 1/48



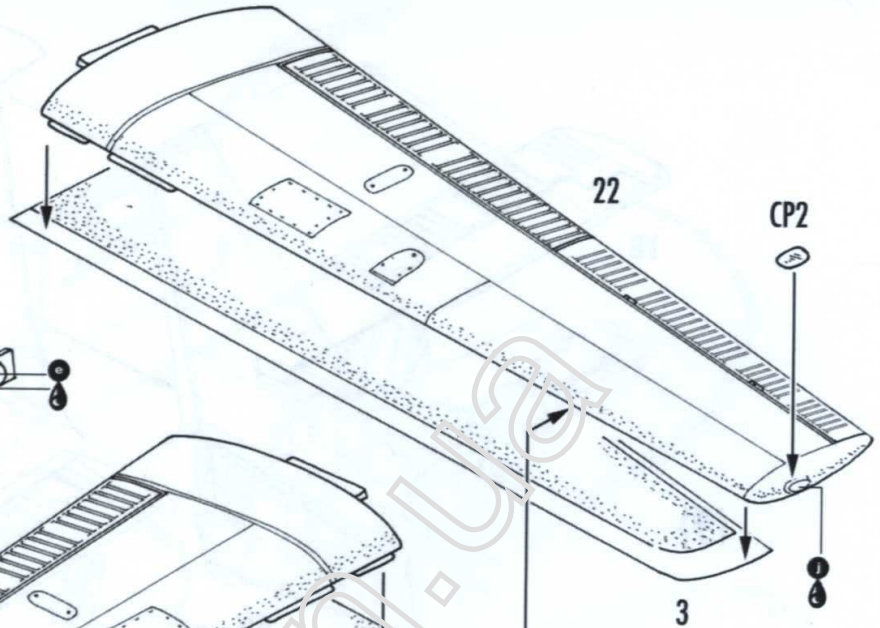




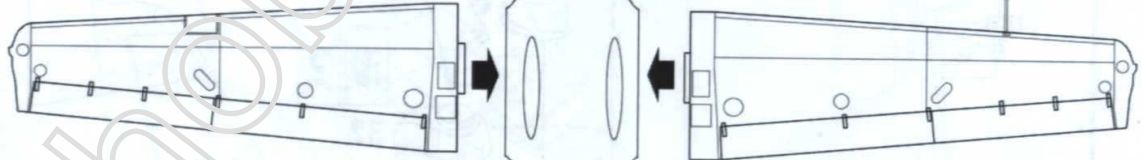
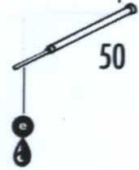
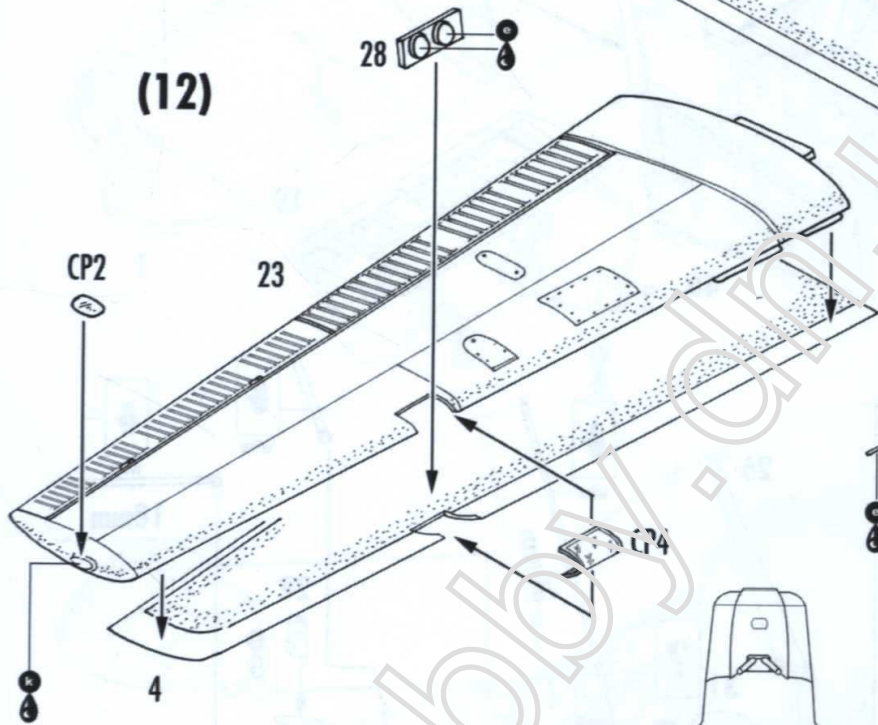
# Sk61 Bulldog

Scale 1/48

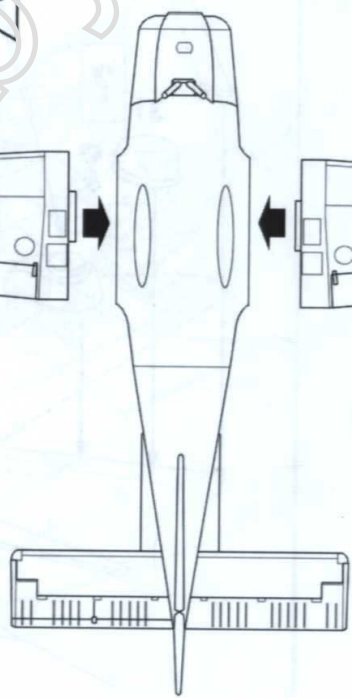
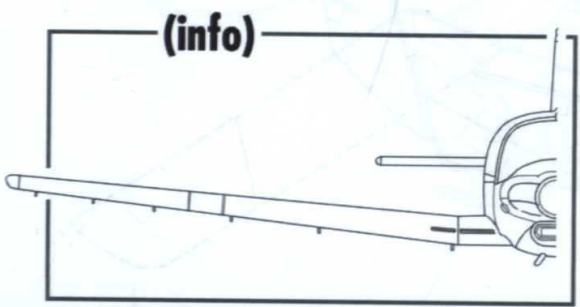
(11)



(12)



(13)

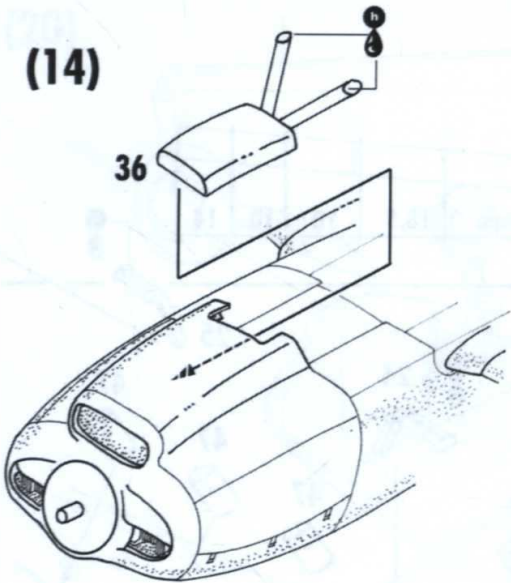




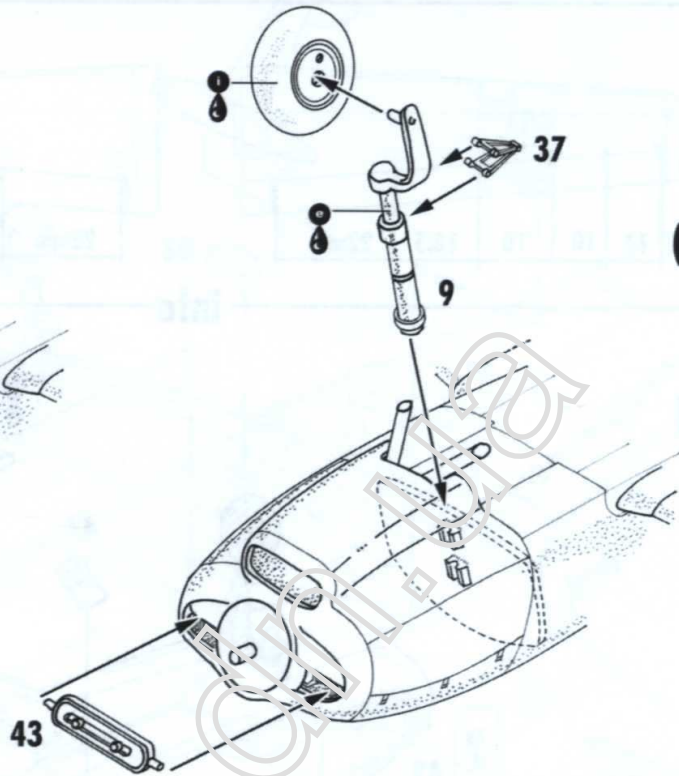
# Sk61 Bulldog

Scale 1/48

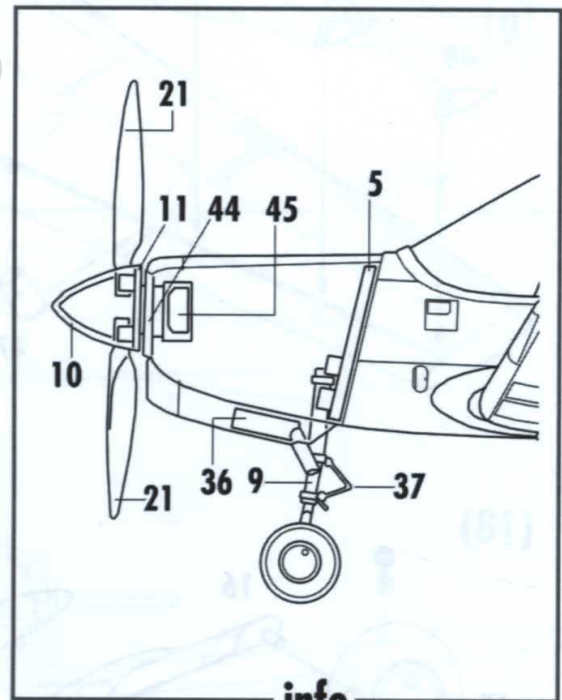
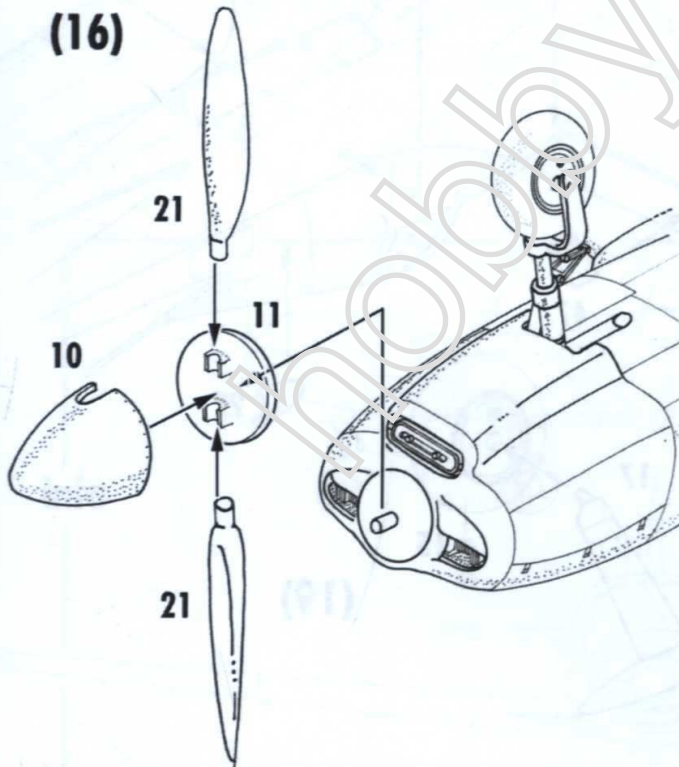
(14)



(15)



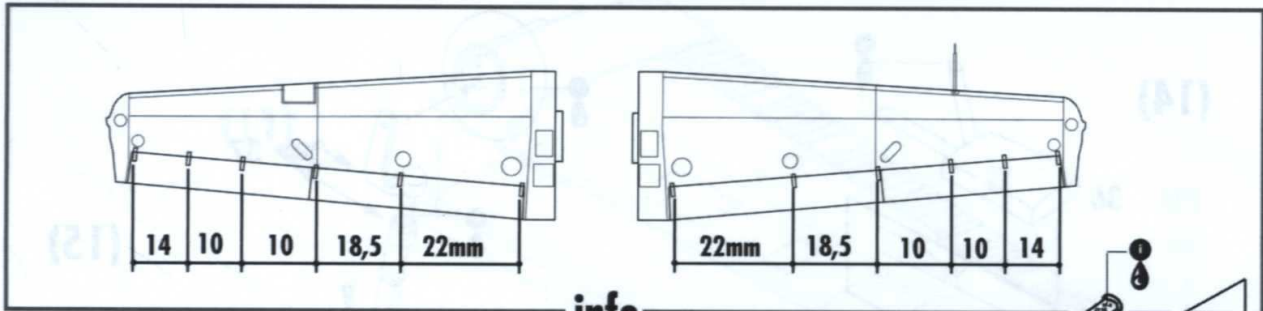
(16)



info

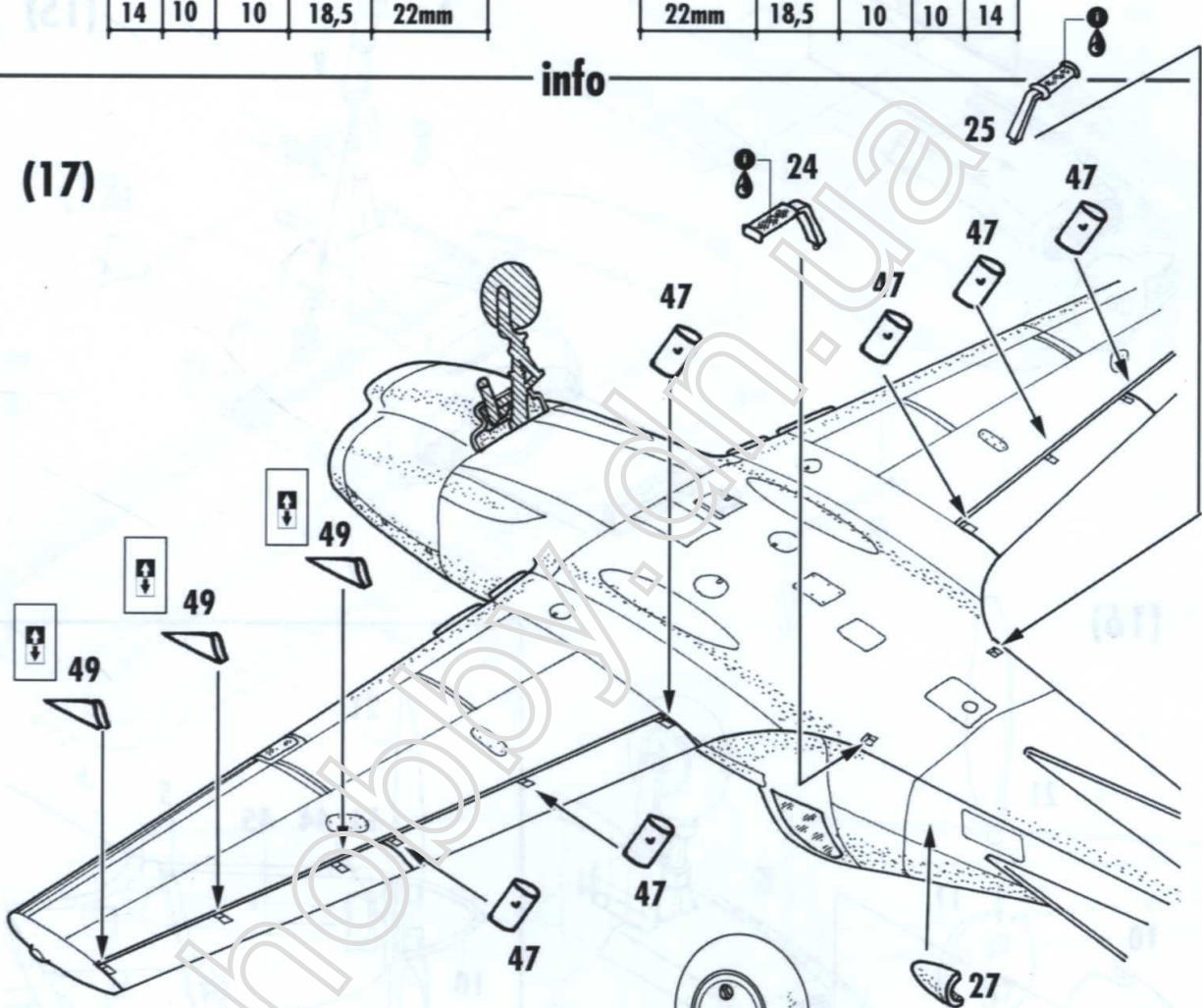
# Sk61 Bulldog

Scale 1/48

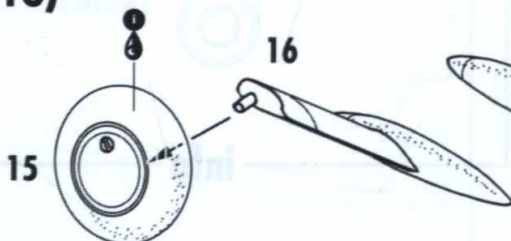


info

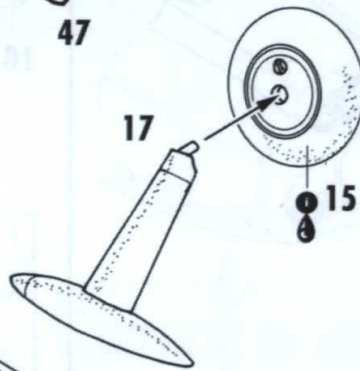
(17)



(18)



(19)

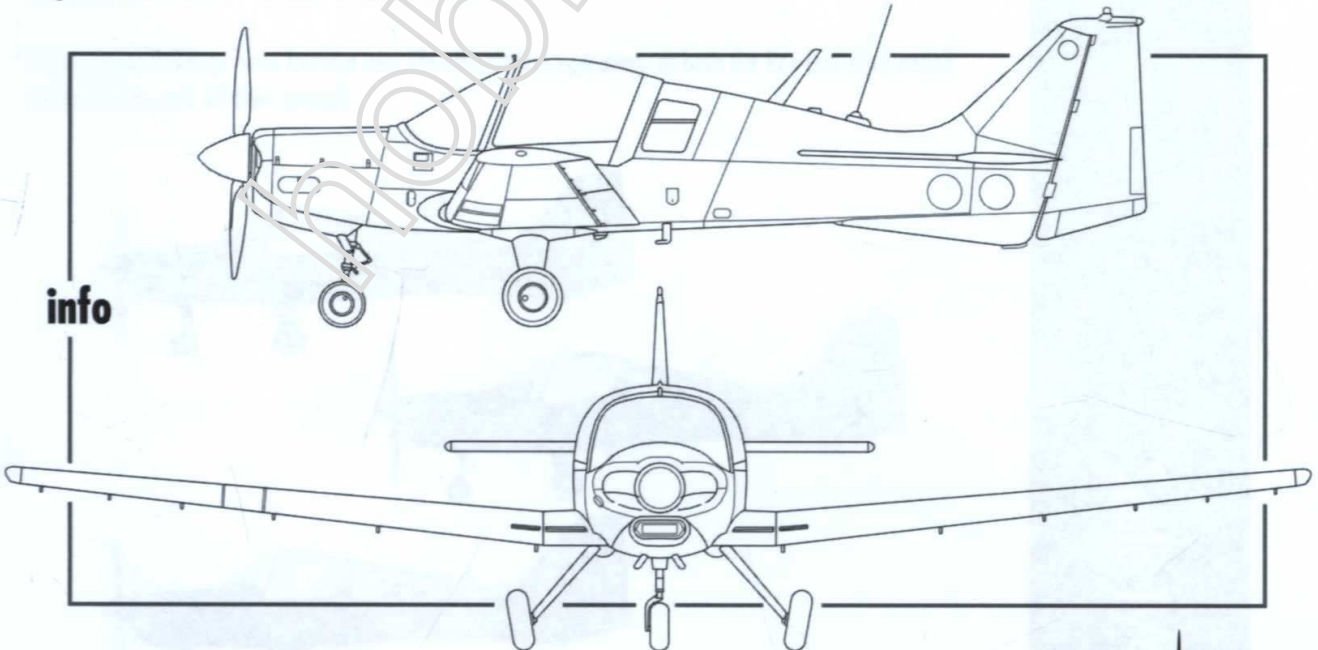
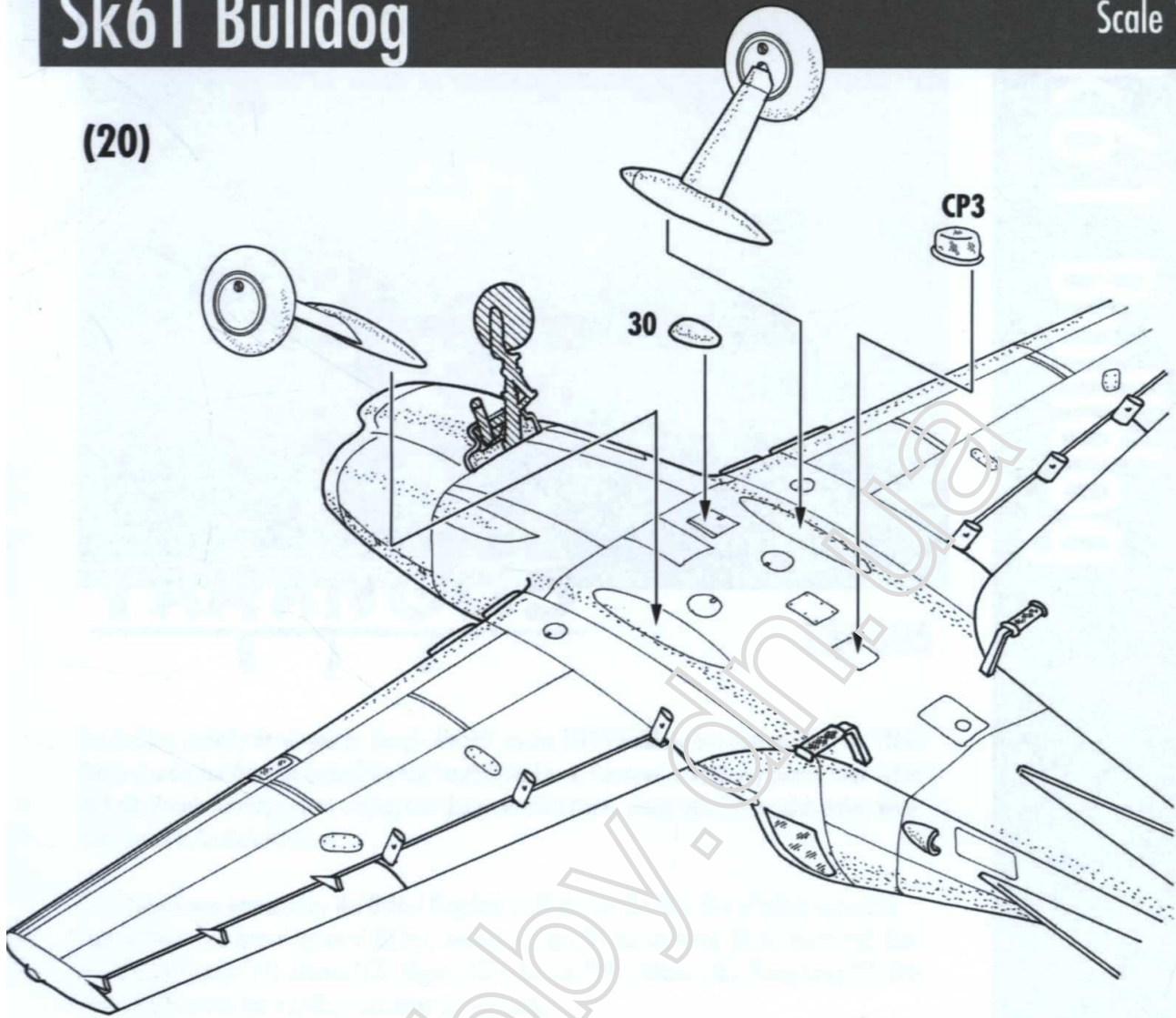




# Sk61 Bulldog

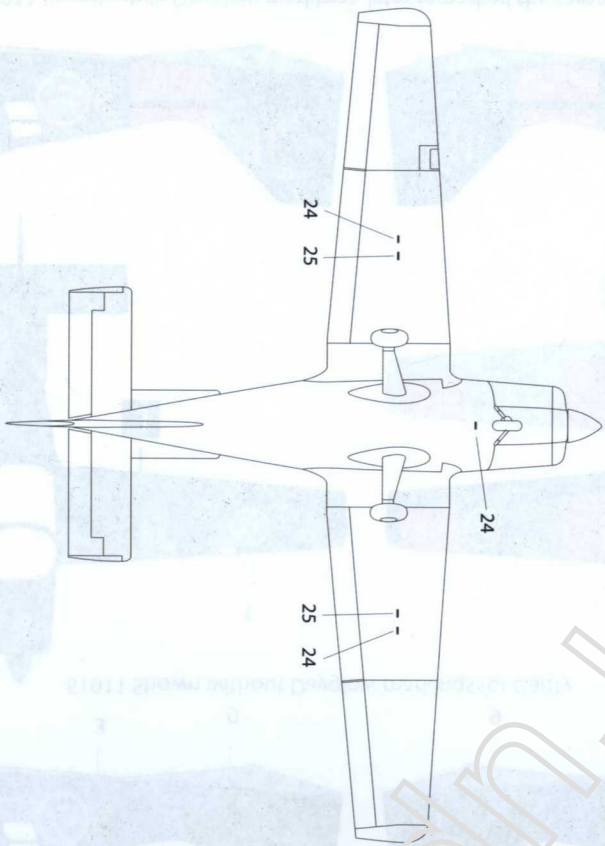
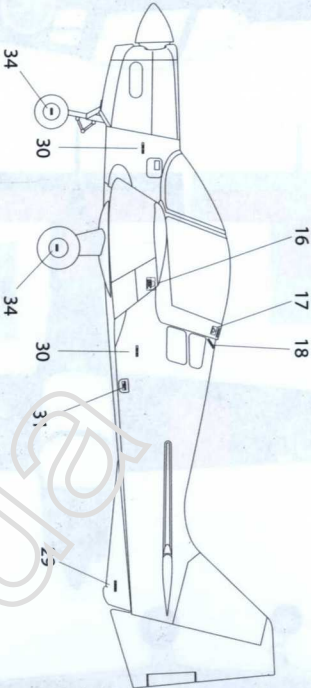
Scale 1/48

(20)



info

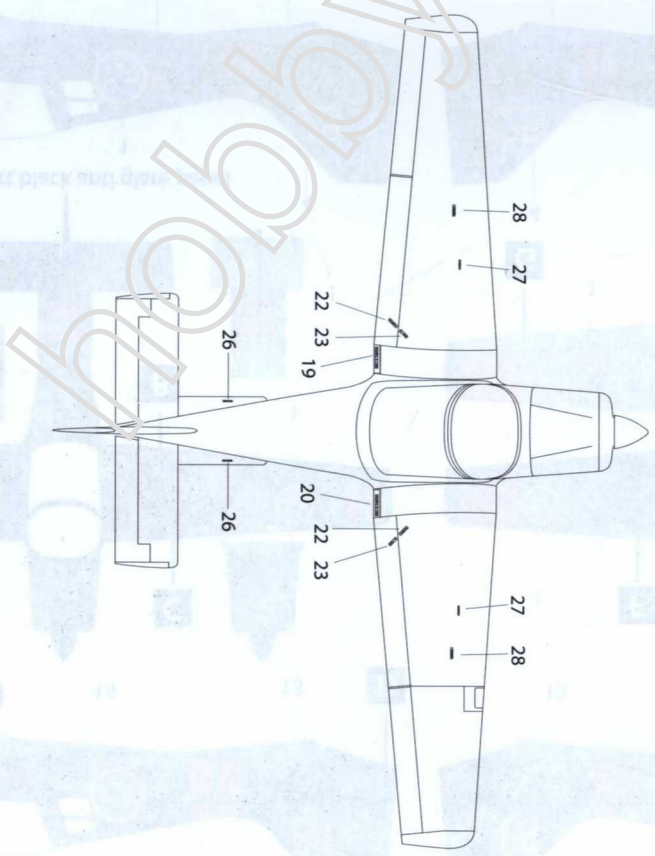
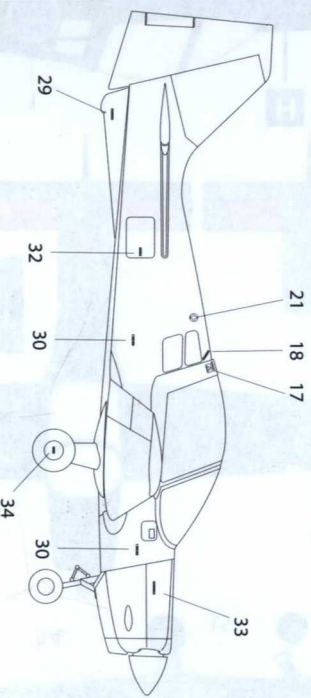
Stenciling and color guide (Need larger scale? Look at our web site [www.tarangus.com](http://www.tarangus.com).)



- A** Mid Green 322M: Gunze Sangyo H058, Humbrol 117
- B** Dark Green 326M: Gunze Sangyo H309, Humbrol 105
- C** Black 093M: Gunze Sangyo H077, Humbrol 67
- D** Tan 507M: Gunze Sangyo H310, Humbrol 118
- E** Blue Gray 058M: Gunze Sangyo H308, Humbrol 175

Sk61A - 61011 - F5 Ljungbyhed in original two-tone camo  
 Sk61A - 61025 - F5 Ljungbyhed in post 1989 RAL livery  
 Fpl 61C - 61061 - (displayed at F11 museum in Nyköping)

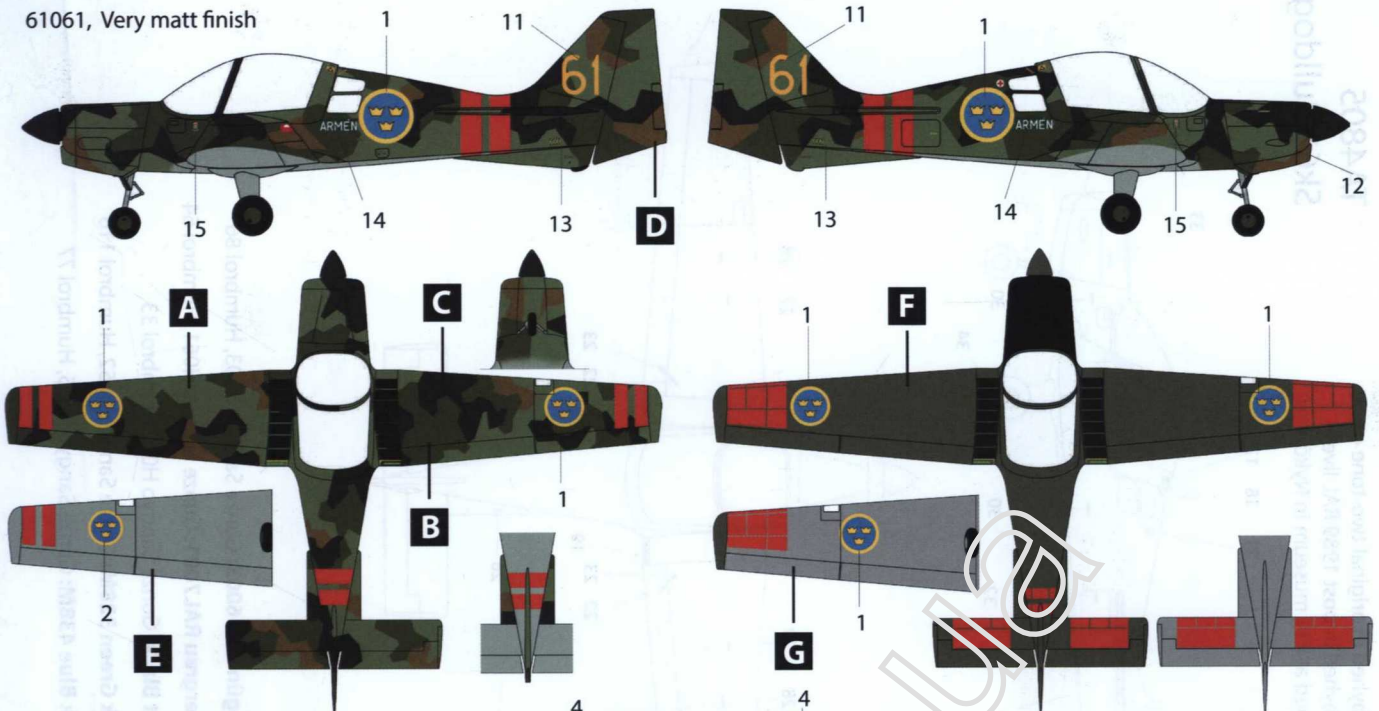
**TA4805**  
**Sk61 Bulldog**



- F** Olivgün RAL 6003: Gunze Sangyo H303, Humbrol 86
- G** Silbergrau RAL7001: Gunze Sangyo H061, Humbrol 64
- H** Matt Black: Gunze Sangyo H012, Humbrol 33
- I** Dark Green 328M: Gunze Sangyo H052, Humbrol 116
- J** Dark Blue 438M: Gunze Sangyo H055, Humbrol 77



61061, Very matt finish



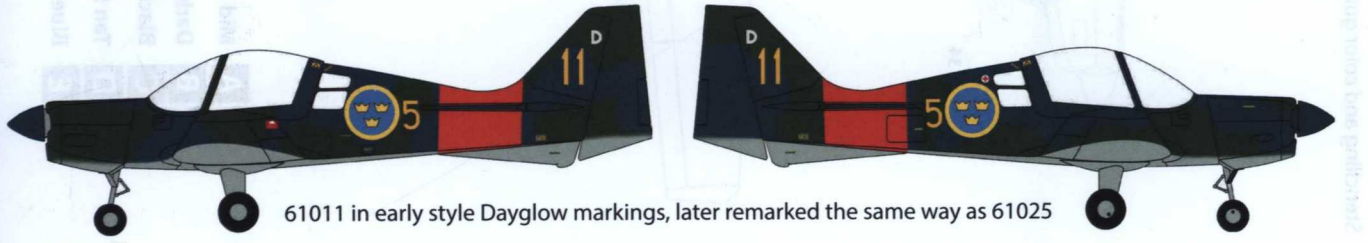
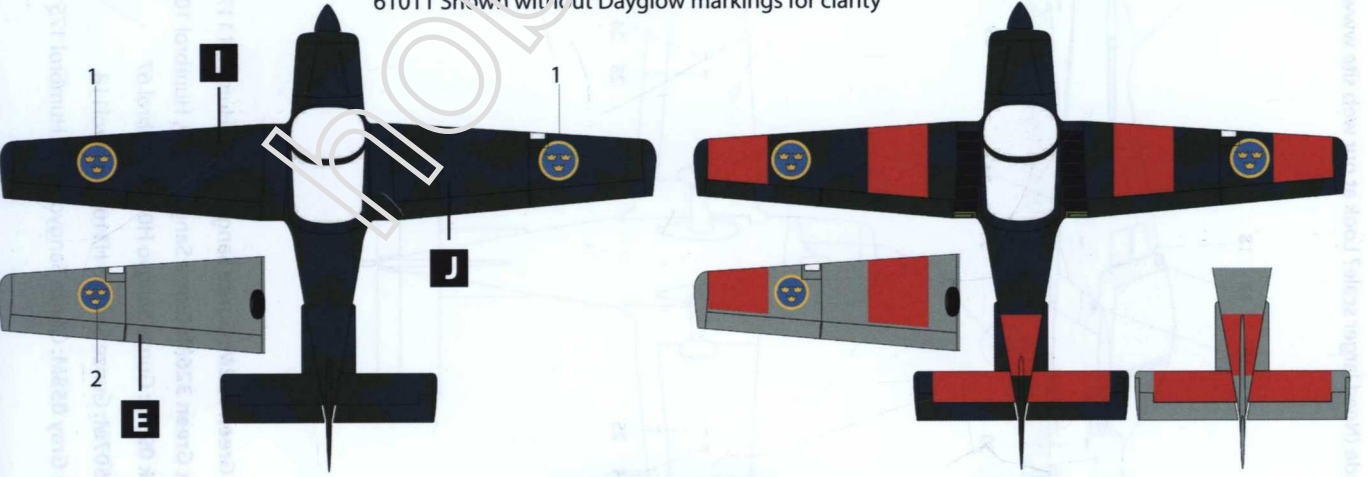
61025, Gloss finish, matt black anti glare panel



61011, Semigloss finish, soft edges between colors



61011 Shown without Dayglow markings for clarity



61011 in early style Dayglow markings, later remarked the same way as 61025