



**TARANGUS**



TA7201

In the aftermath of the second world war, it was decided that the Swedish Air Force would be an all jet fleet. Engineers from Saab had gotten their hands on some German research material regarding swept wings and it was soon decided that the new jet fighter for the Swedish Air Force would be a swept wing jet.

The bulky Ghost engine gave the airplane its round shape, which earned it the nickname "Flygande Tunnan" ("The Flying Barrel" in English). It first flew in 1948, piloted by Bob Moore, a former RAF pilot, who after the first flight said "On the ground an ugly duckling but in the air a swift!" The Saab J 29 Tunnan was the first European fighter which could match the F-86 Sabre and Mig-15 for performance. The Tunnan stayed in service until the early 1970's. The last years it served as a target tug. It was also exported to Austria. A total of 463 Tunnans were produced between 1950 and 1956.

The J 29A and J 29B only differed in internal fuel volume, had a non-afterburning engine and a wing that lacked the saw teeth of the later versions. The J 29B also served as part of the Swedish Air Force unit that was sent to Congo in the 1960s.

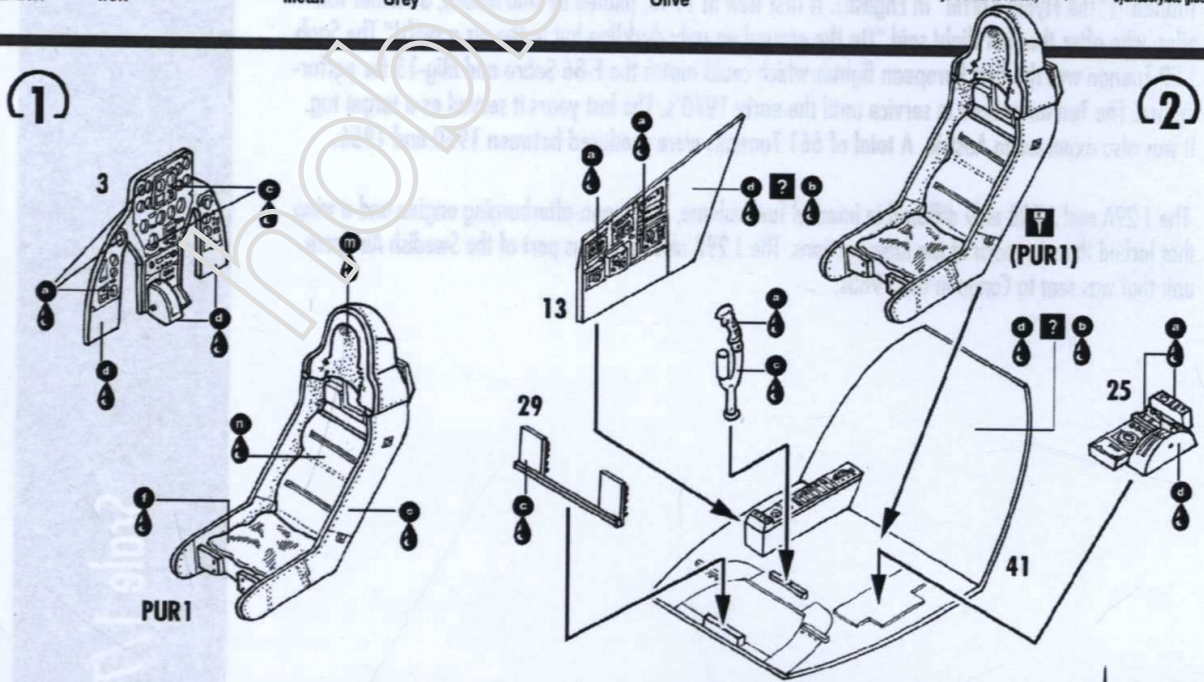
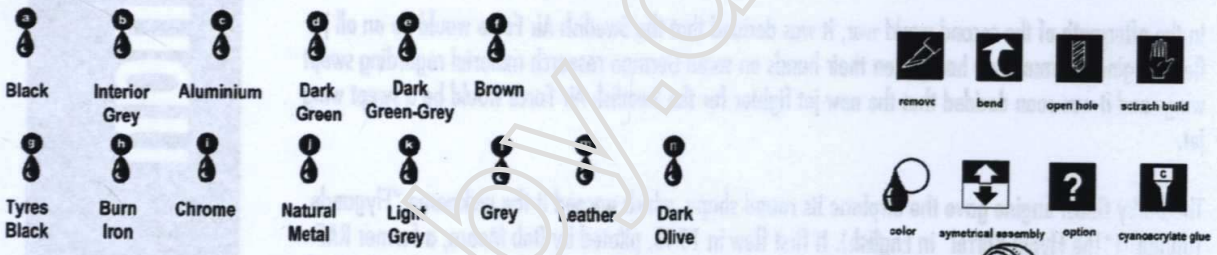
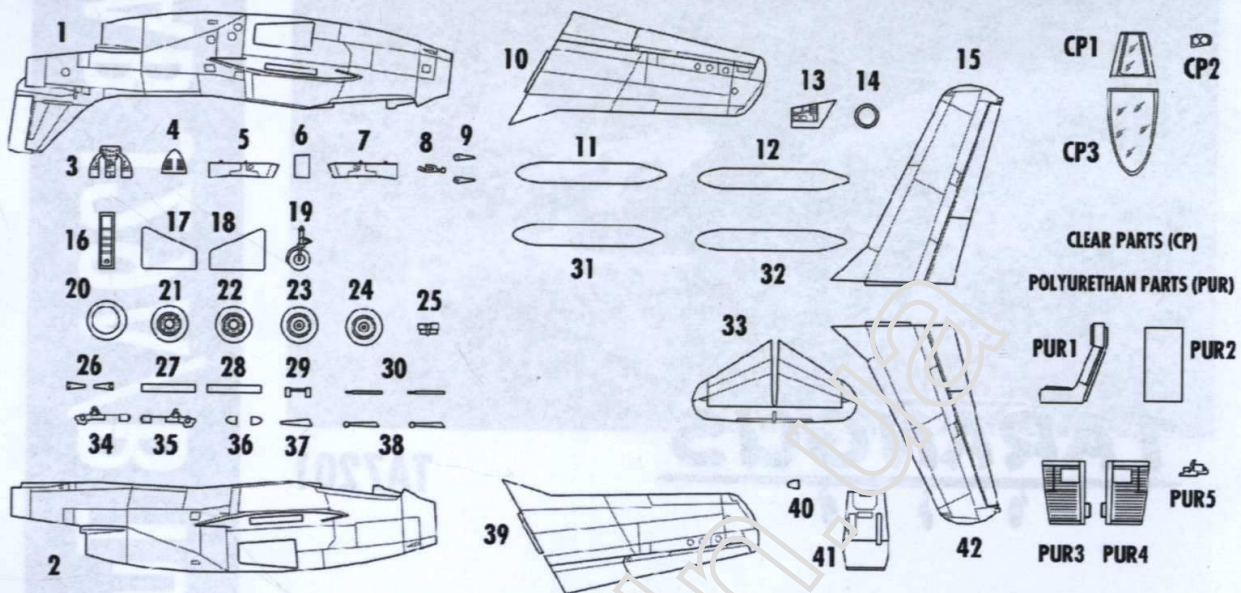
SAAB J29A/B Tunnan

Scale 1/72

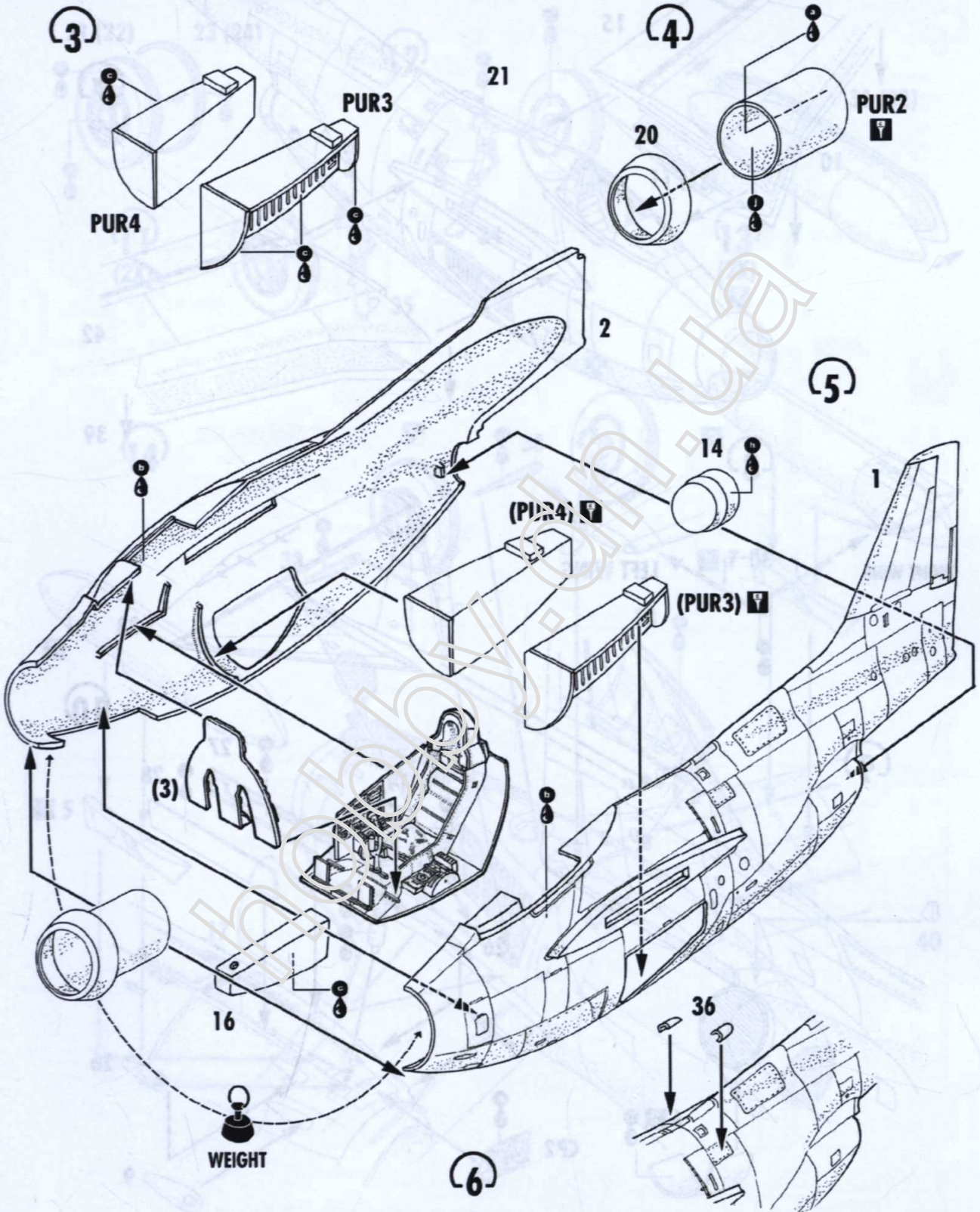


# SAAB J29A/B Tunnan

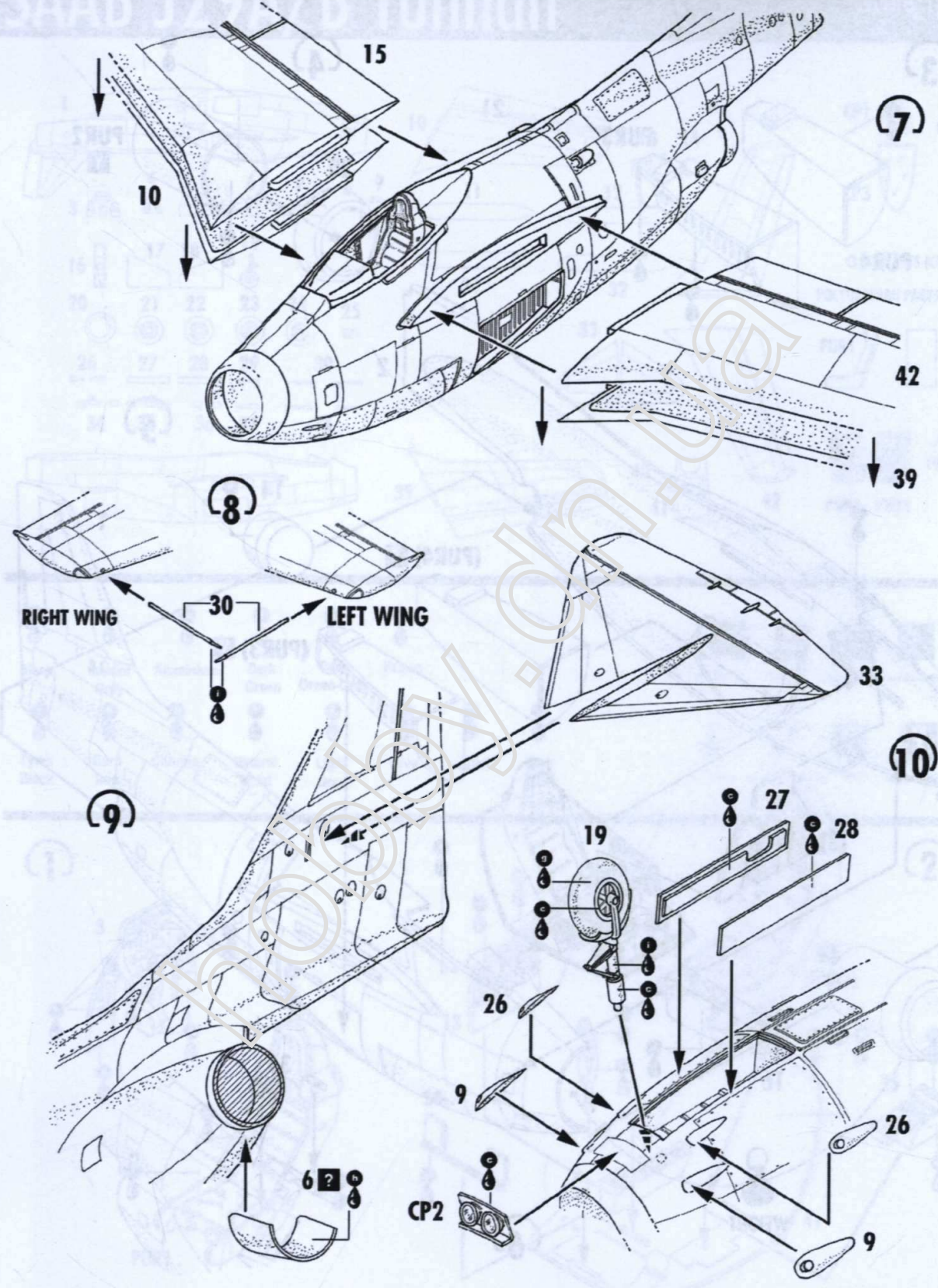
Scale 1/72



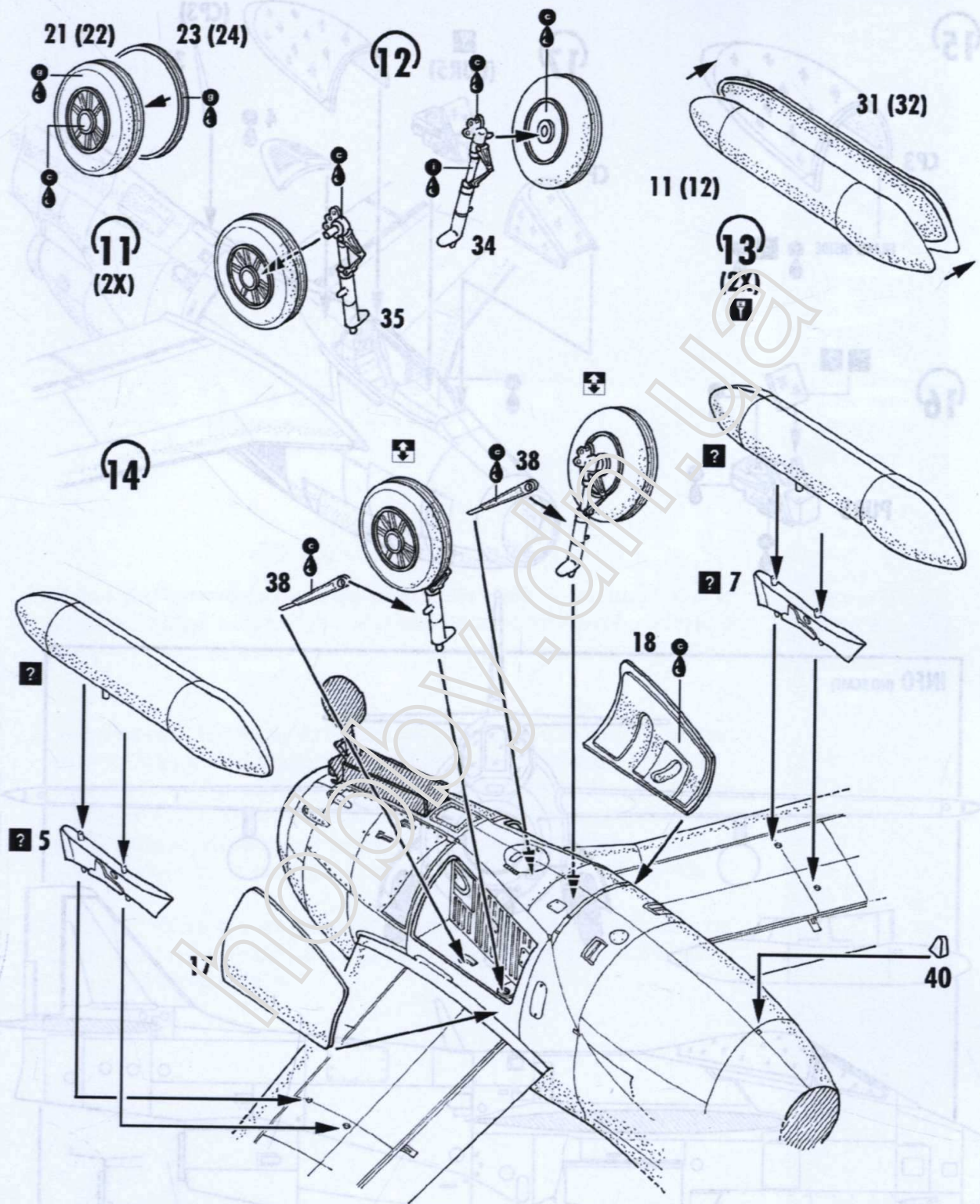






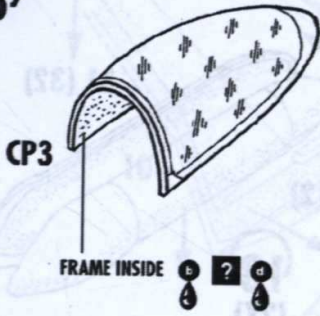




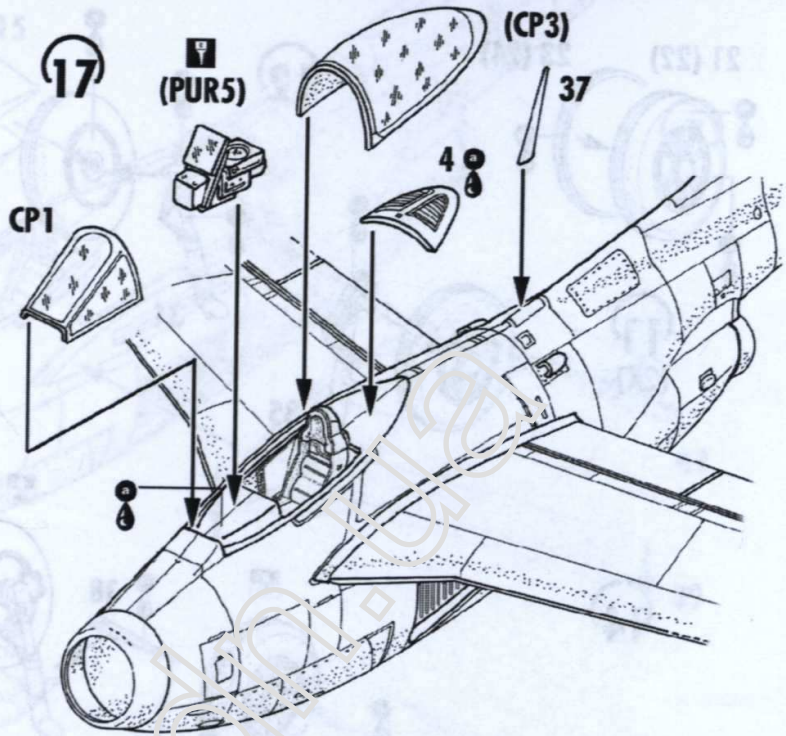




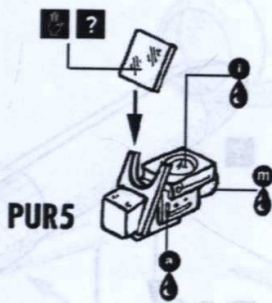
15



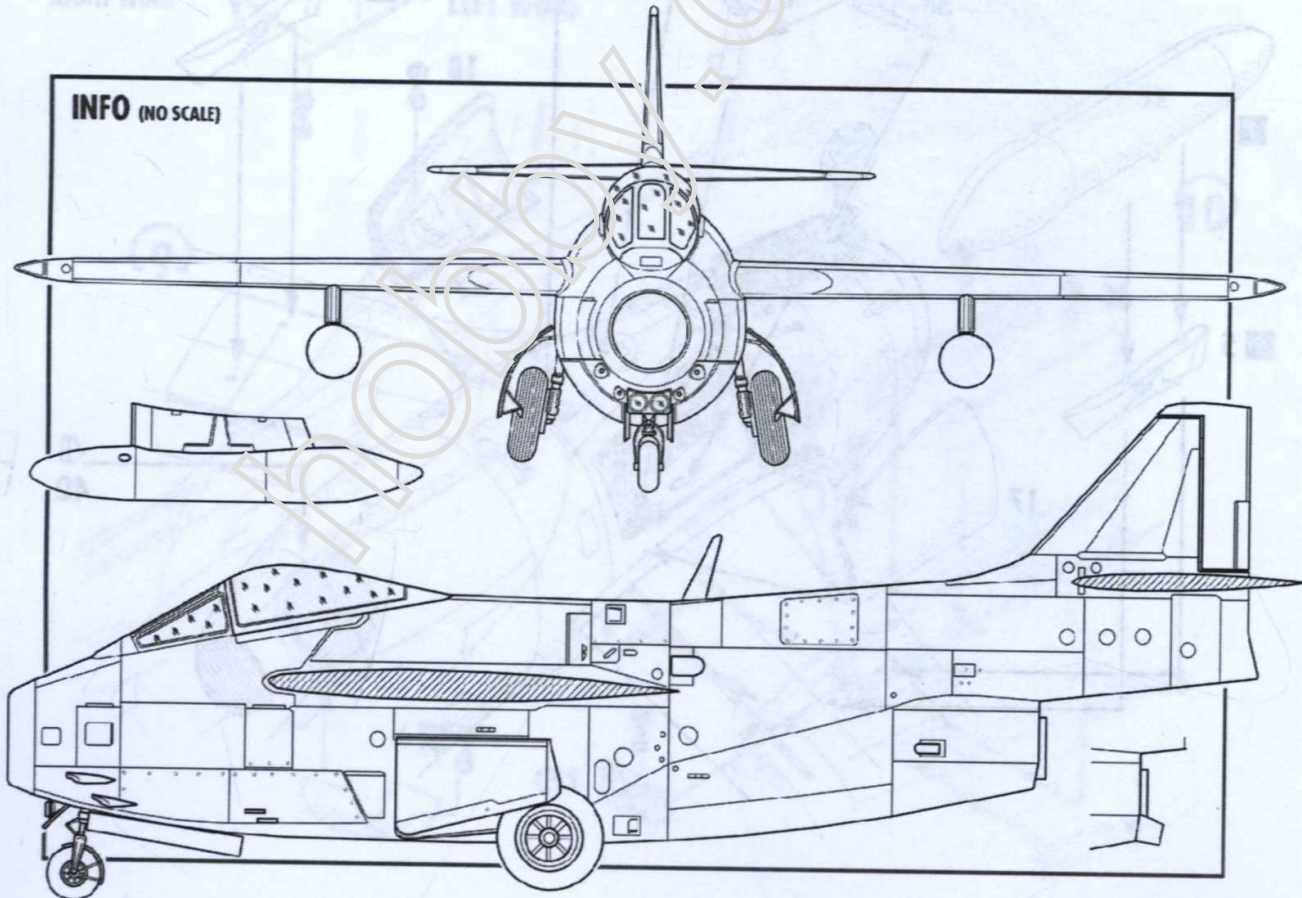
17



16



INFO (NO SCALE)





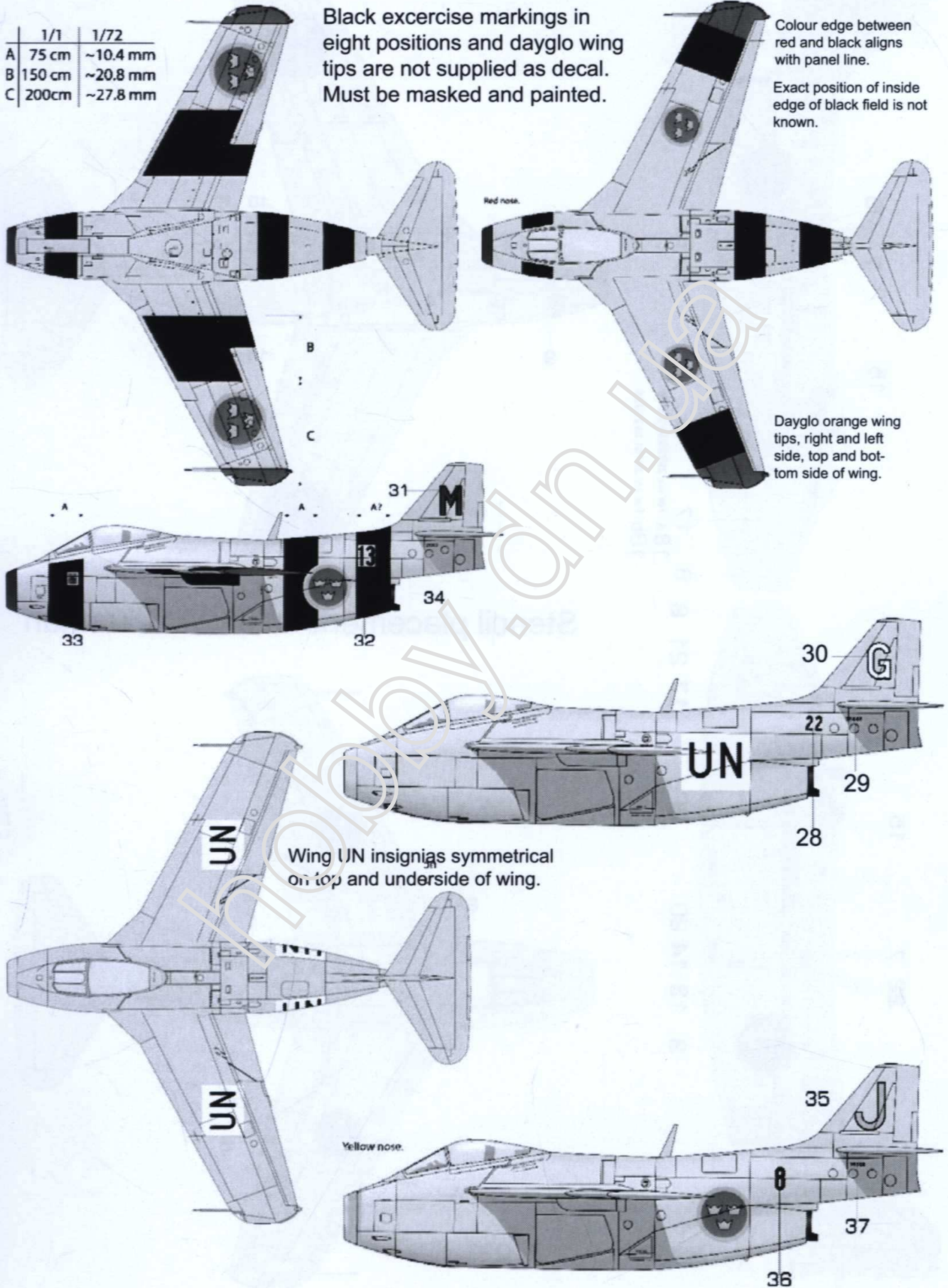
Decal placement for the three aircraft are displayed below. Colour profiles are found on the backside of the box. You can also find this sheet in colour at [www.tarangus.com](http://www.tarangus.com).

|   | 1/1    | 1/72     |
|---|--------|----------|
| A | 75 cm  | ~10.4 mm |
| B | 150 cm | ~20.8 mm |
| C | 200cm  | ~27.8 mm |

Black exercise markings in eight positions and dayglo wing tips are not supplied as decal. Must be masked and painted.

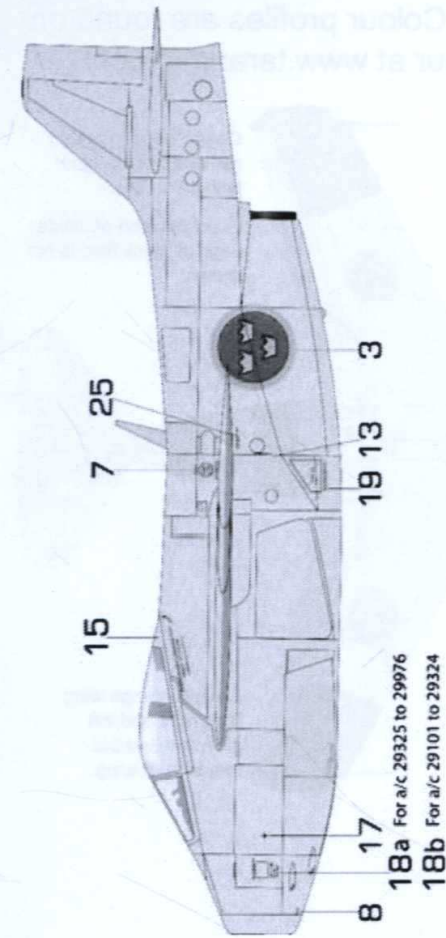
Colour edge between red and black aligns with panel line.

Exact position of inside edge of black field is not known.

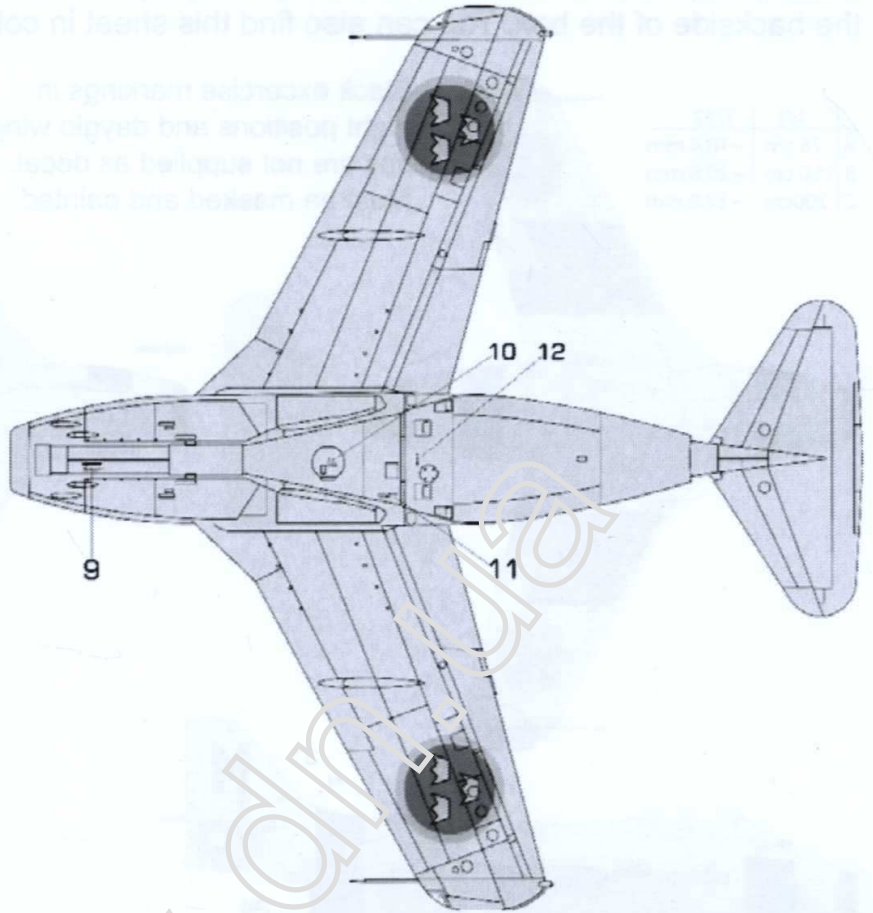
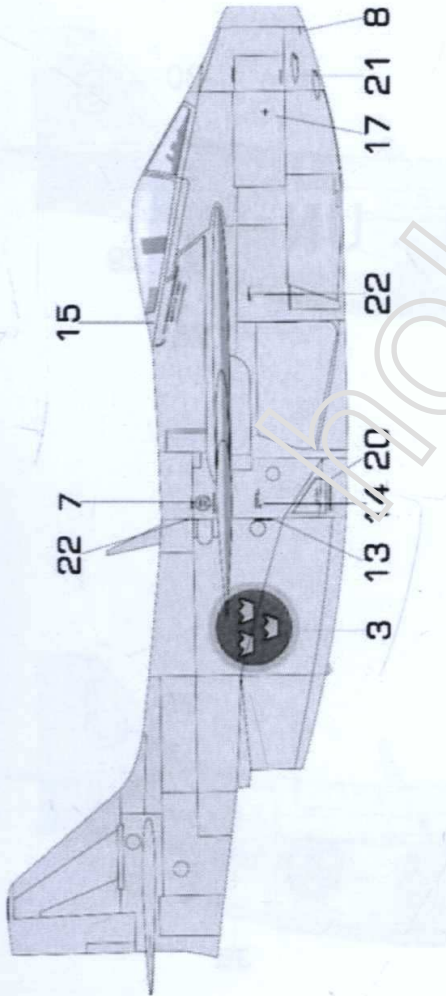


Dayglo orange wing tips, right and left side, top and bottom side of wing.

Wing UN insignias symmetrical on top and underside of wing.



18a For a/c 29325 to 29976  
 18b For a/c 29101 to 29324



### Stencil placement for J29A/B Tunnan

