



Russian MiG-31M Foxhound

MiG-31M “捕狐犬”

READ BEFORE ASSEMBLY:

- This kit is not recommended for inexperienced modelers or for children under 14 years of age
- Study and understand these instructions thoroughly before beginning assembly
- When needed, remove photo-etch parts carefully using a modeling knife or photo etch sprue cutter, being careful not to damage or lose small parts.
- Take extra care in handling photo etch parts in order to avoid injury
- Apply instant cement sparingly to photo etch parts where instructed

- Tools recommended(not included in kit):Plastic and instant cements,sprue cutters,long nose pliers,modeling knife, small files, tweezers, pin vise & scissors. Soft cloth and sandpaper will also assist in construction
- Glue and paint are not included in the kit. Use plastic cement and hobby paints only. Color guide for purchasing paint is included in the kit.
- Keep out of reach of children. They must not be allowed to ingest small parts or handle plastic bags in any way.

装配之前仔细阅读

- 小心用模型锉刀锉平所有零件表面的注射浇口。
- 小心用刀片切下蚀刻片零件，不要遗失小零件。
- 用强力快干胶水粘合蚀刻片零件和金属轴。过量的快干胶水使用可能导致可动零件会粘住，小心涂胶。
- 取蚀刻片时应特别注意安全，防止利边划伤手指。
- 某些零件表面需贴水上贴纸，请选择在装配的同时进行。
- 推荐成型工具(自备)：胶水，水口剪刀，长咀钳，刀片，锉刀，镊子钳，钻，剪刀，瞬间快干胶。
- 软毛同砂纸同时也应该是必备工具。
- 请使用塑料胶水和油漆，模型内不含。
- 谨防小孩吸吮塑料零件，或者将塑料袋套在头上，制作时应将套材远离小孩接触。
- 本产品不适合14岁以下没有经验的模型爱好者。

水贴纸的使用:

1. 从水贴上剪下印花;
2. 将印花放入温水中浸10秒, 然后放在干净布上.
3. 拿着印花纸板将印花移到模型上;
4. 手指蘸水将印花移到适当的位置;
5. 用软布轻压印花直至水干, 汽泡消失.

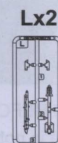
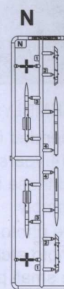
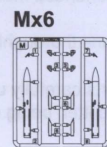
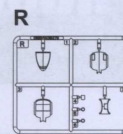
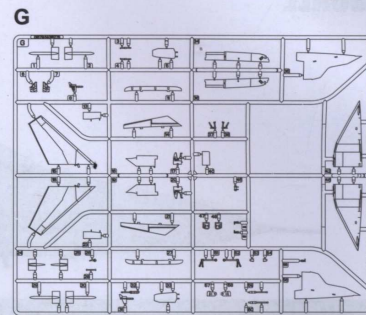
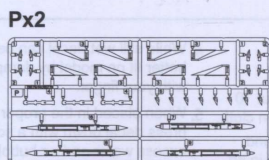
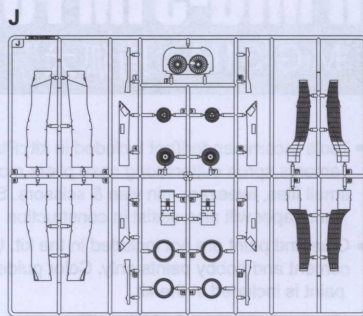
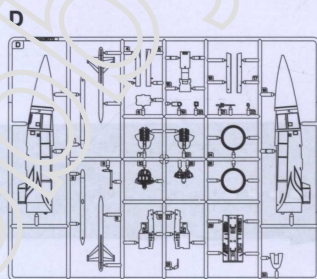
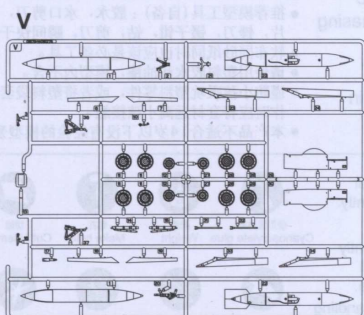
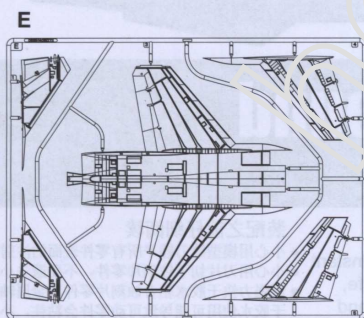
DECAL APPLICATION:

1. Cut decals from sheet as needed
2. Dip the decal in warm water for about 10 seconds and then place on soft clean cloth.
3. Hold the decal backing sheet edge and gently slide the decal onto the model in its proper position.

4. While still wet, decal can be adjusted for better fit on model by dampening lightly with your finger.
5. When placed in the proper position, gently press decal down, with a soft cloth until excess water and air bubbles are gone.
6. Allow decal to dry completely before handling model.



**部品图
Parts**

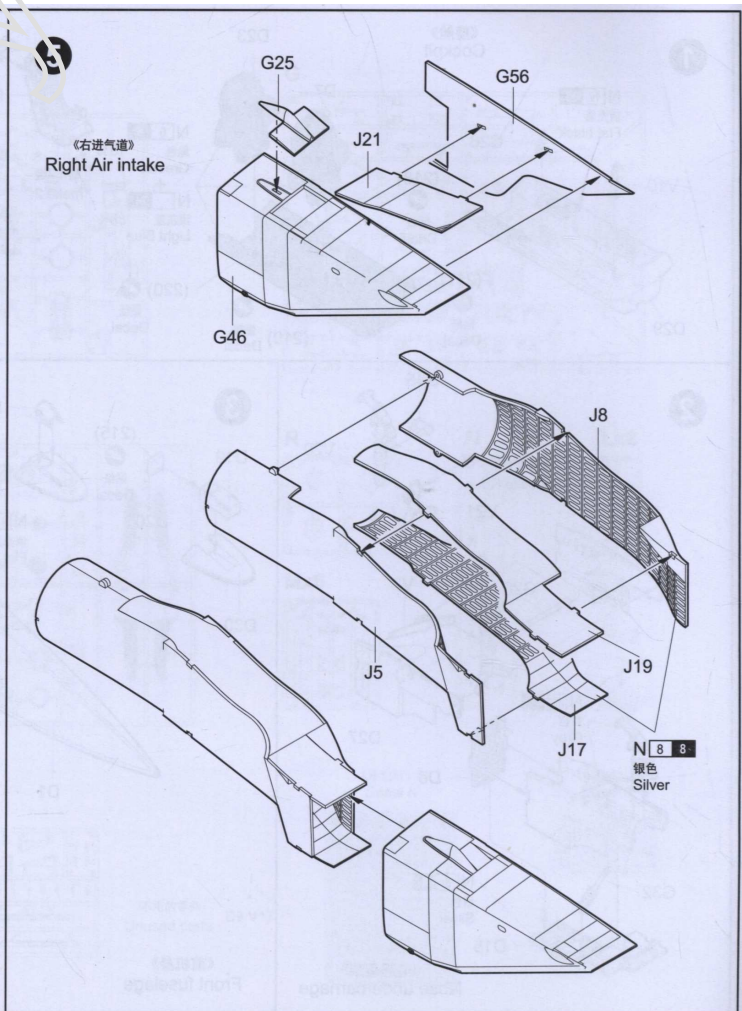
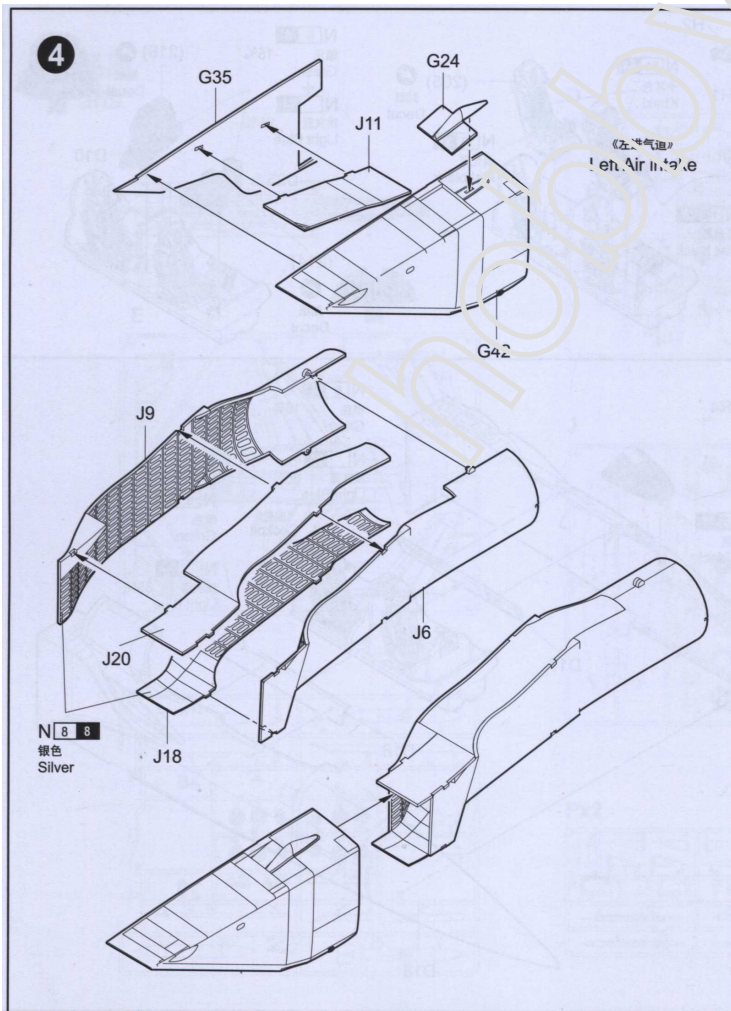
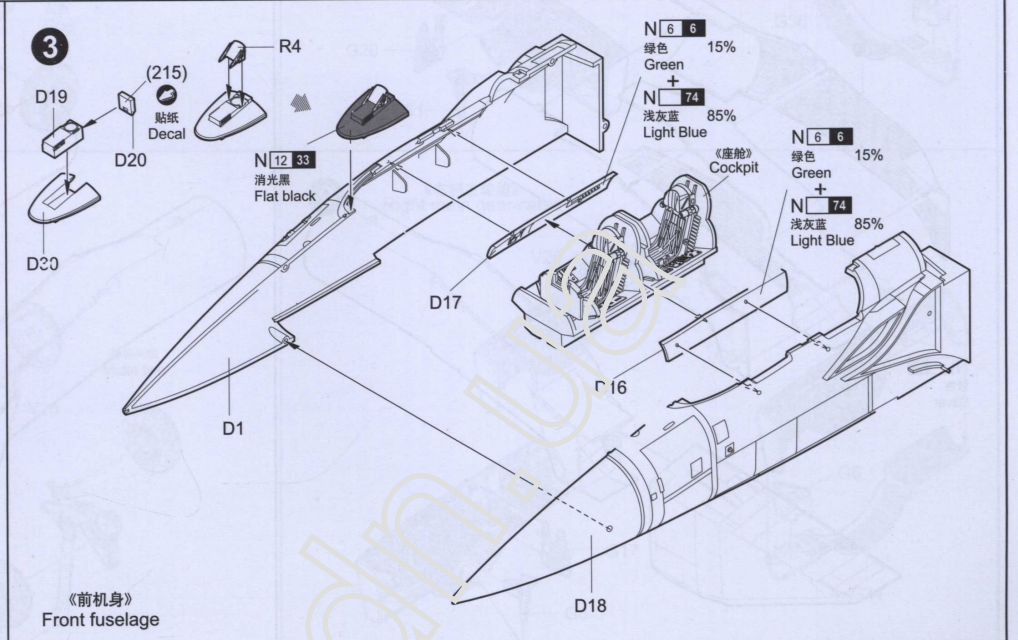
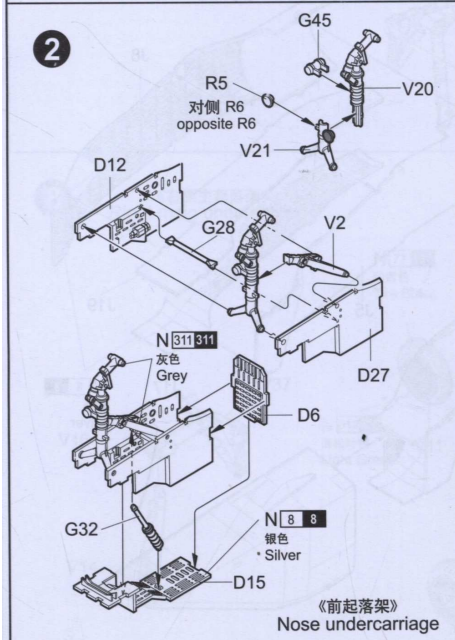
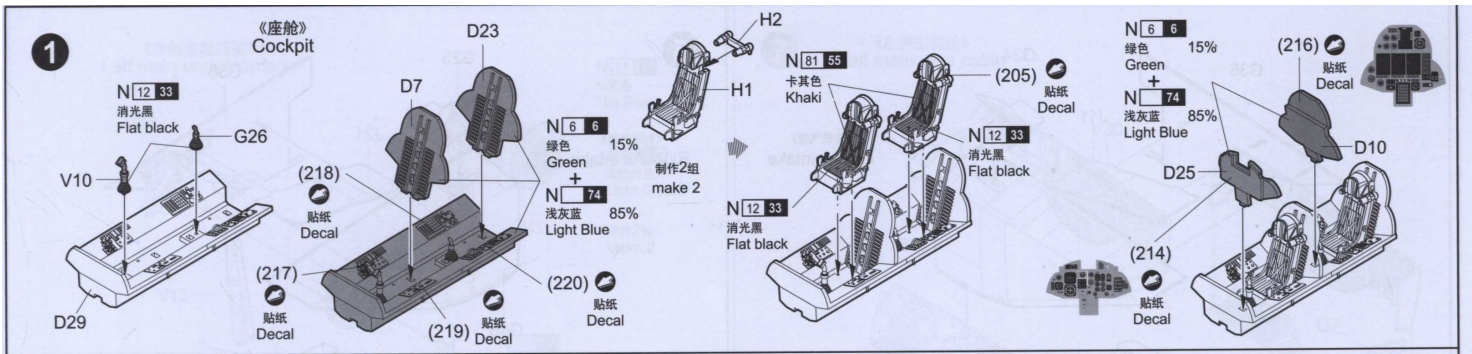


《水贴纸》A
Decal A

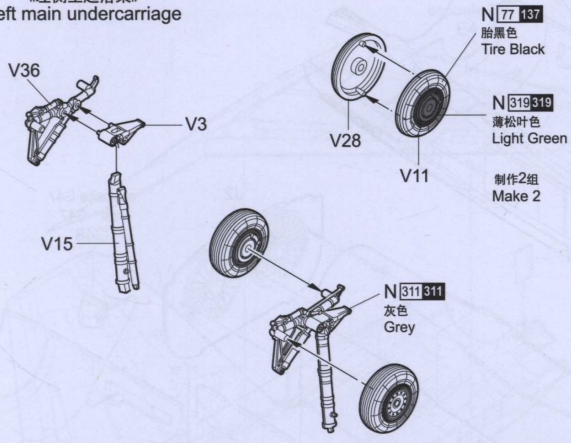
《水贴纸》B
Decal B



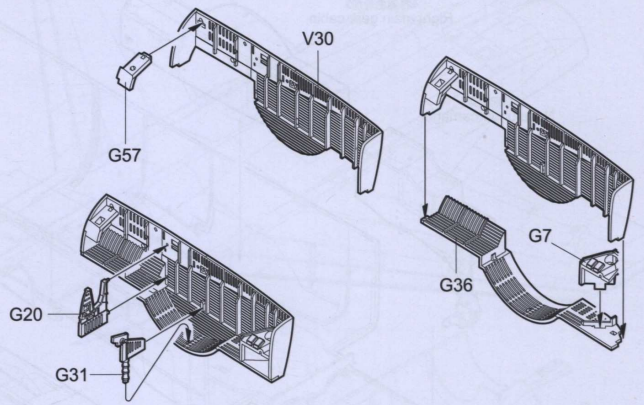
不用的零件:
Unused parts: D9 V17



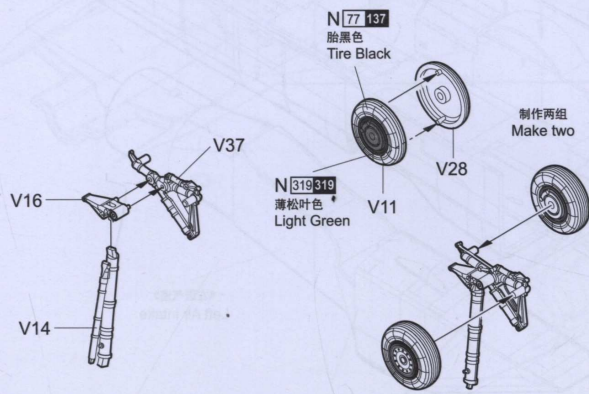
6 《左侧主起落架》
Left main undercarriage



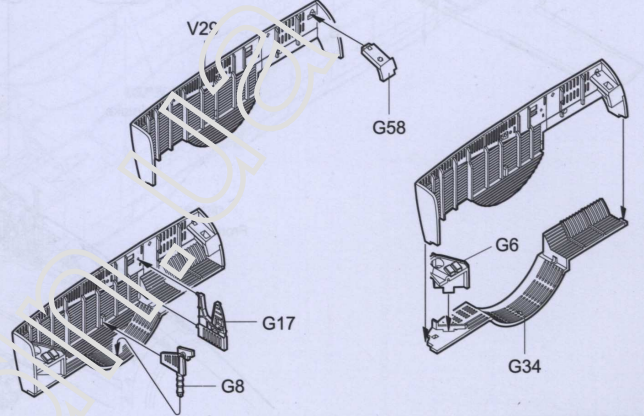
7 《左侧主轮舱》
Left main gear cabin



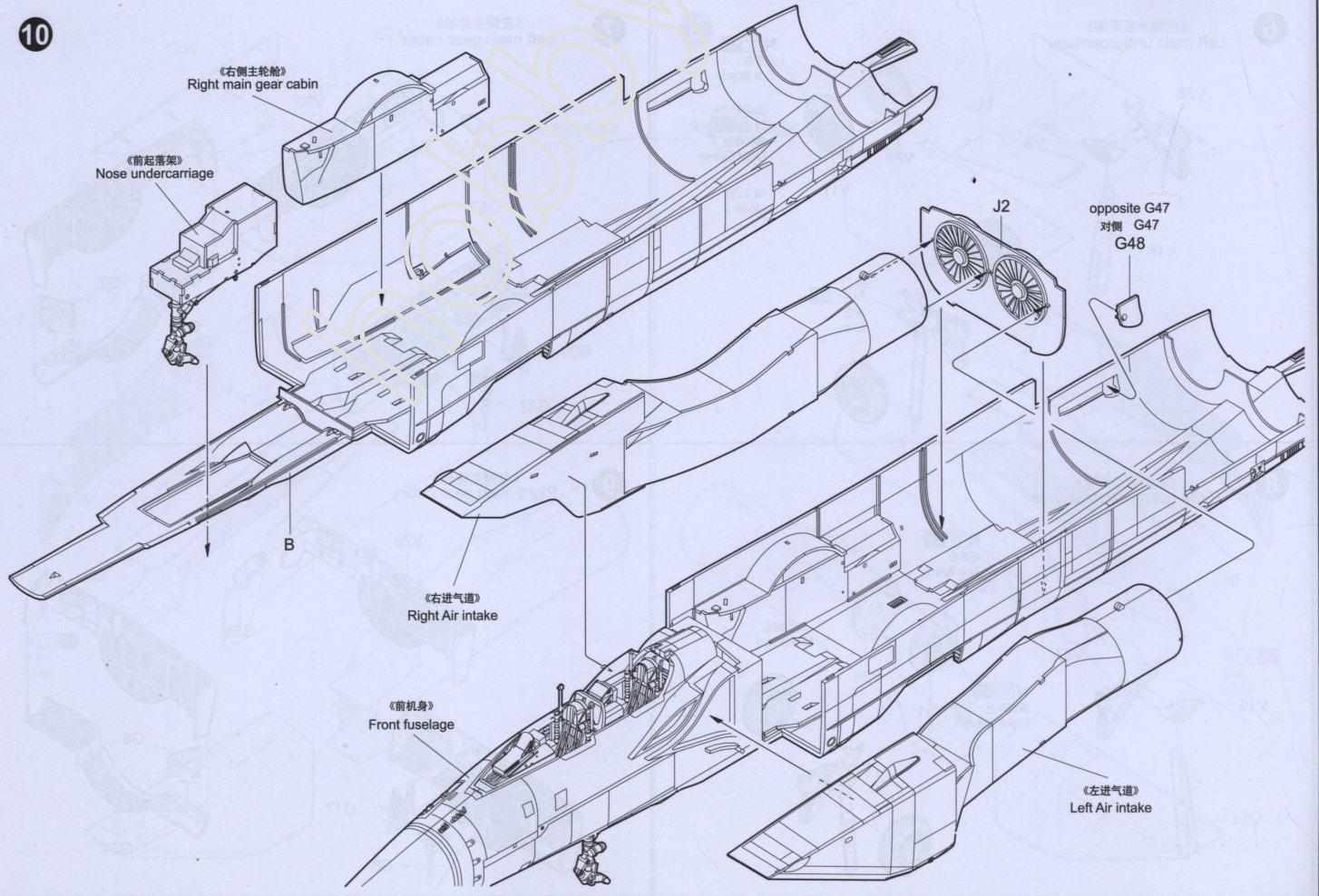
8 《右侧主起落架》
Right main undercarriage



9 《右侧主轮舱》
Right main gear cabin

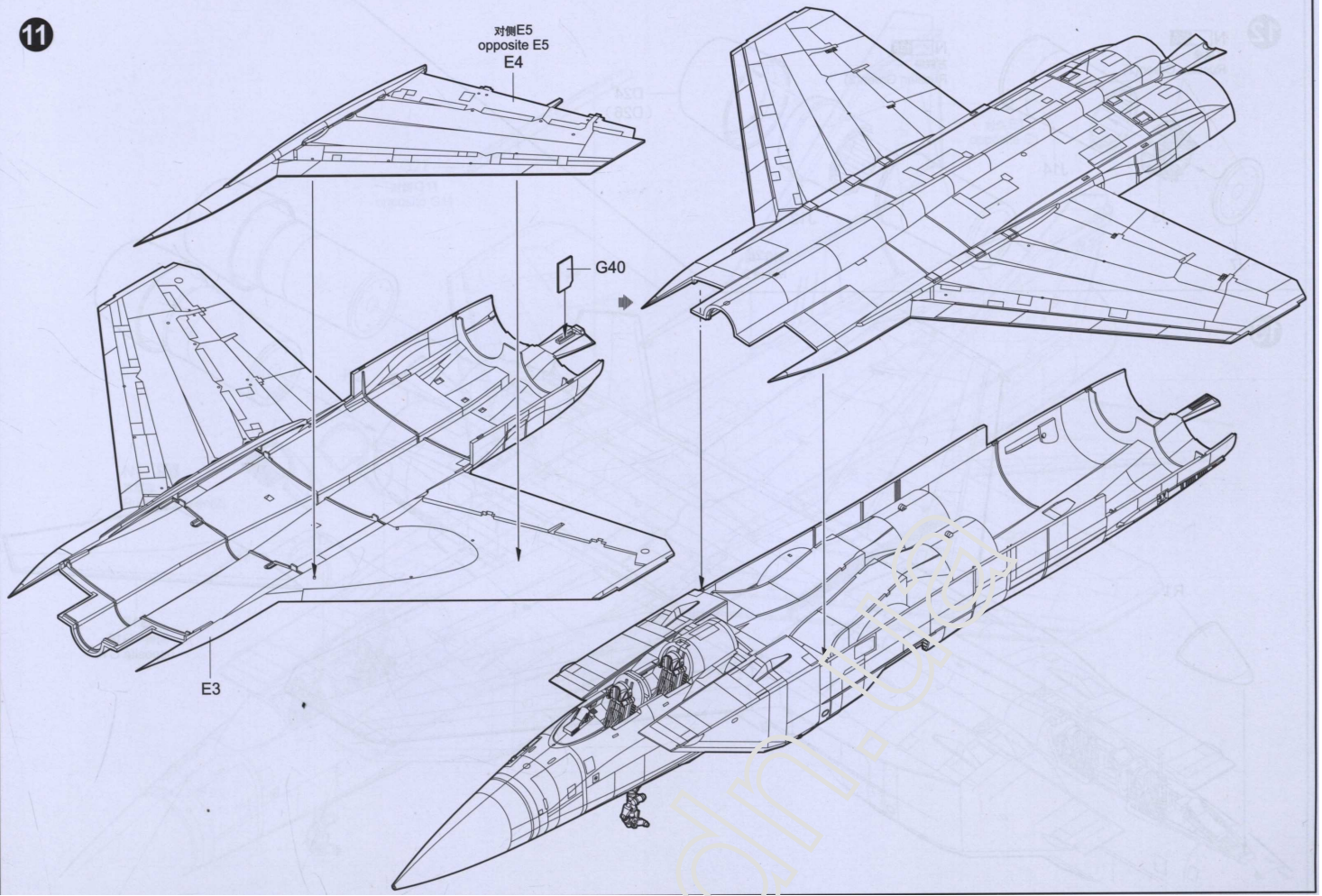


10



11

对侧E5
opposite E5
E4



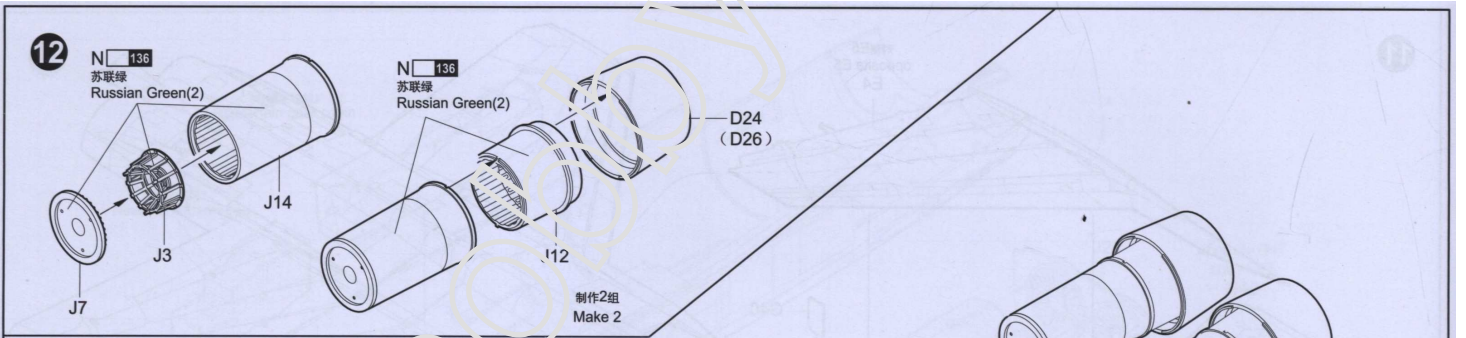
12

N 136
苏联绿
Russian Green(2)

N 136
苏联绿
Russian Green(2)

D24
(D26)

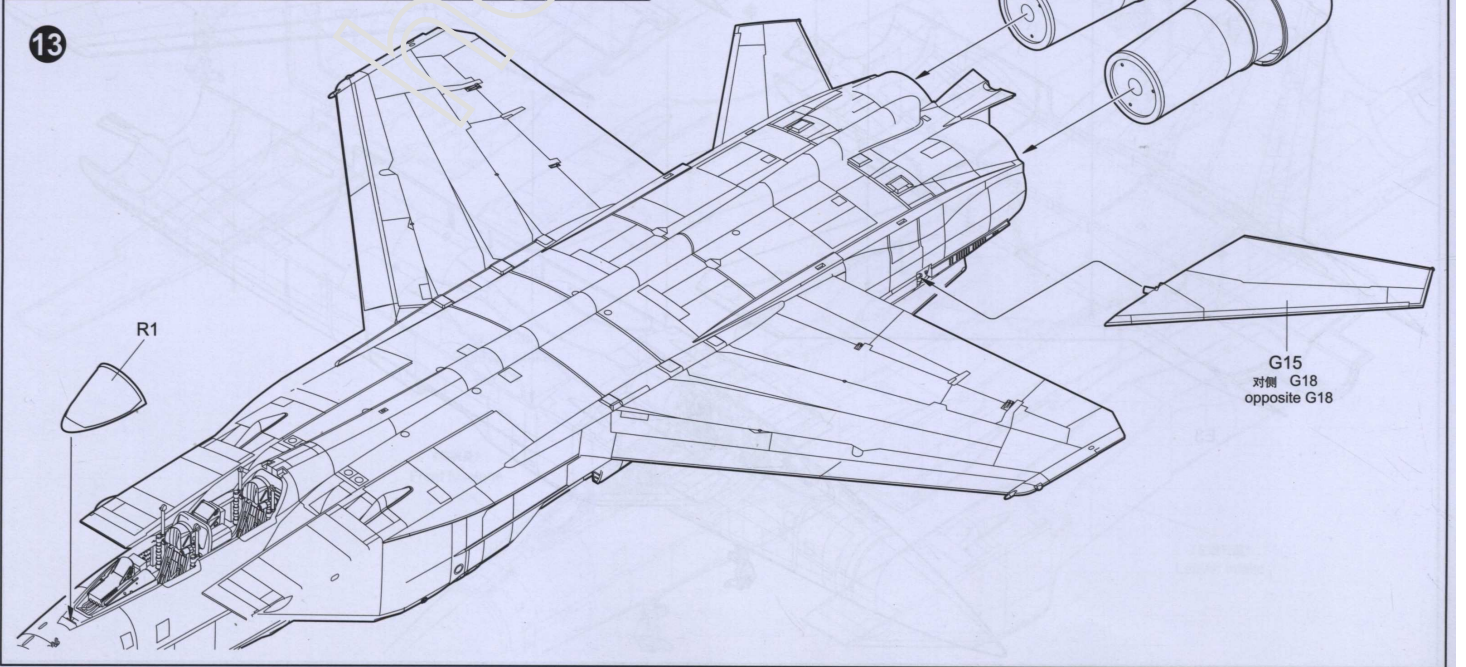
制作2组
Make 2



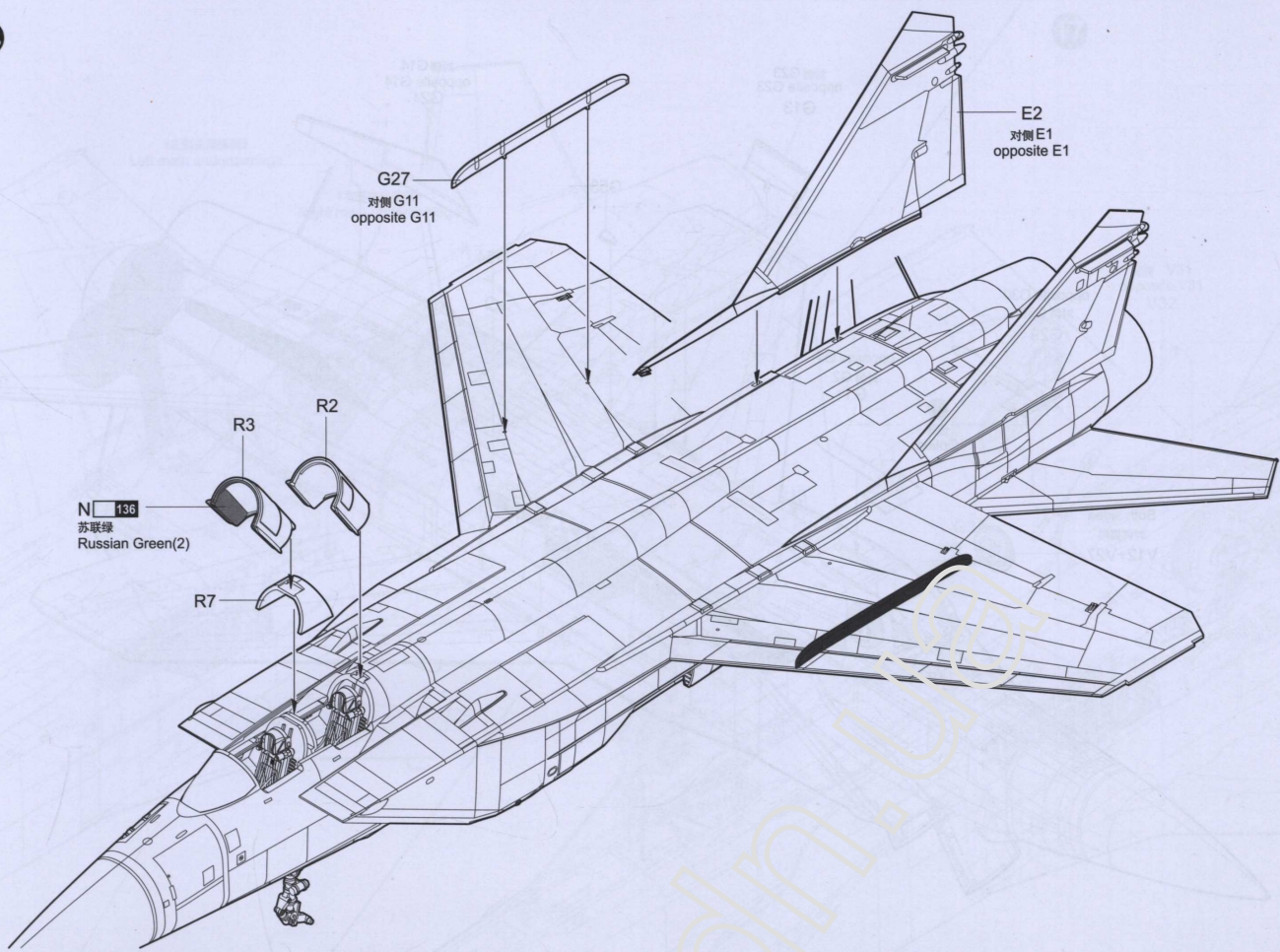
13

R1

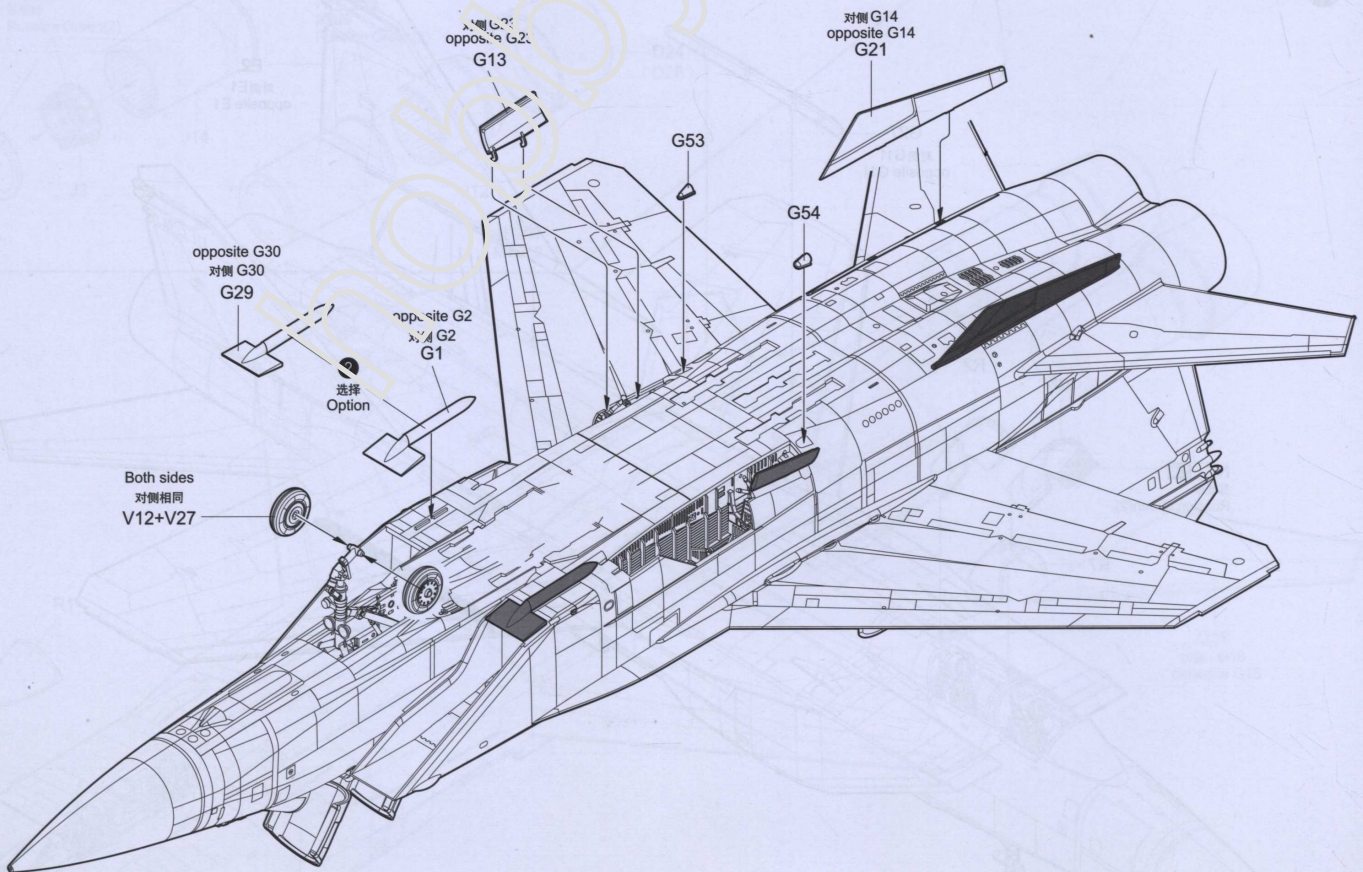
G15
对侧 G18
opposite G18



14



15



16

《左侧主起落架》
Left main undercarriage

《右侧主起落架》
Right main undercarriage

G51
对侧 G52
opposite G52

V13

G37
对侧 G38
opposite G38

对侧 V31
opposite V31
V32

17

18

对侧 G5
Opposite G5
G33

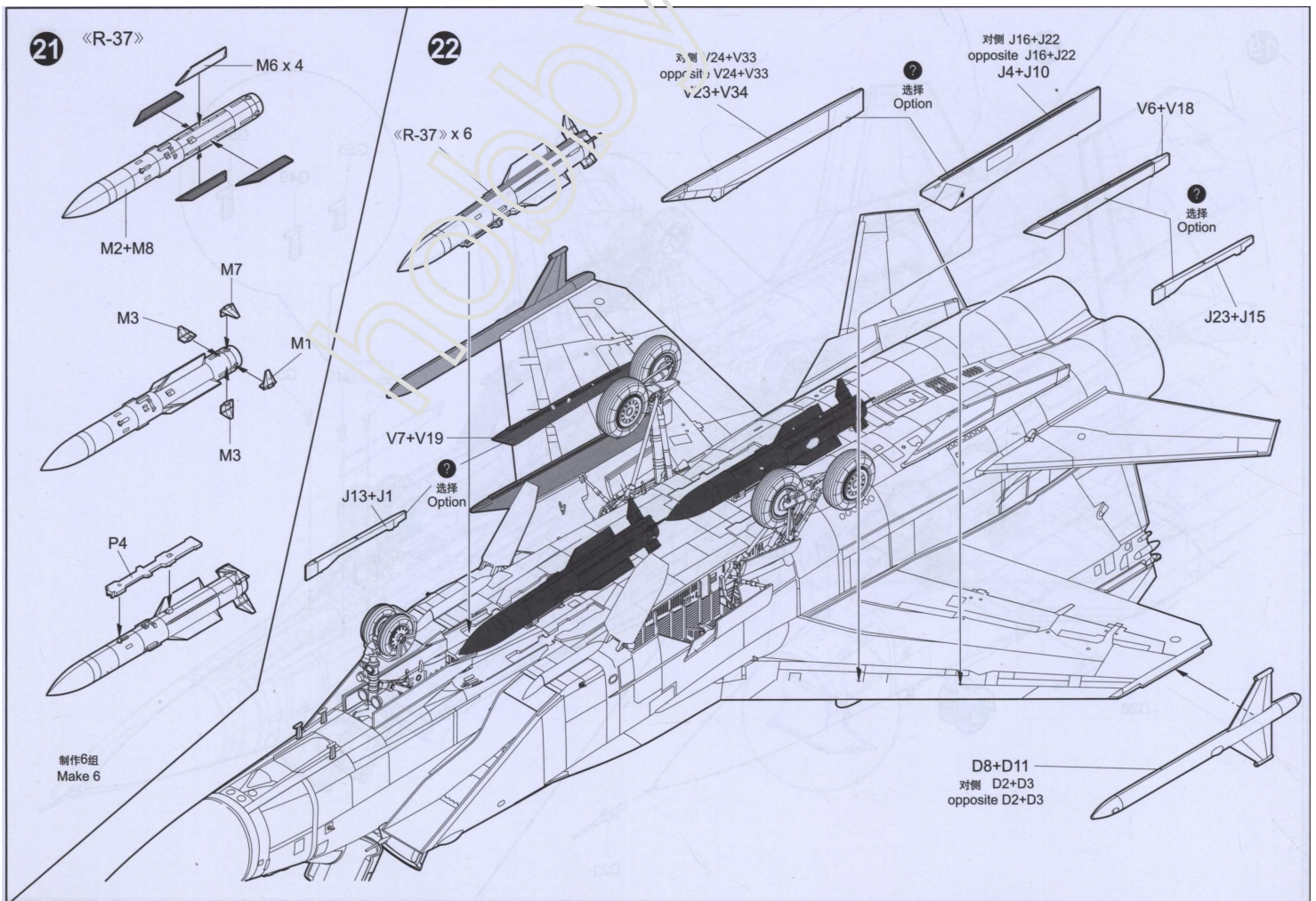
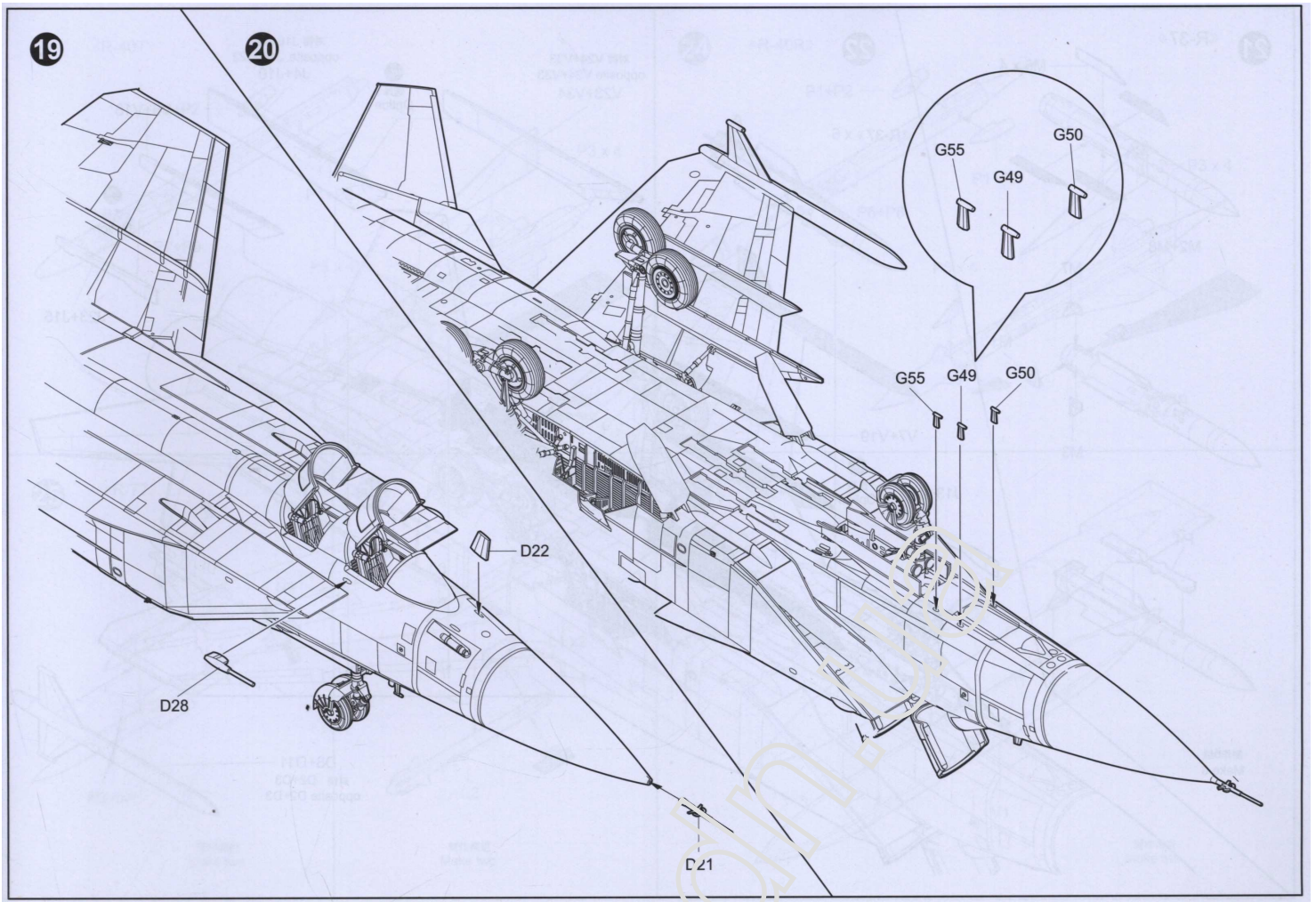
对侧 G59
Opposite G59
G60

对侧 G3
Opposite G3
G4

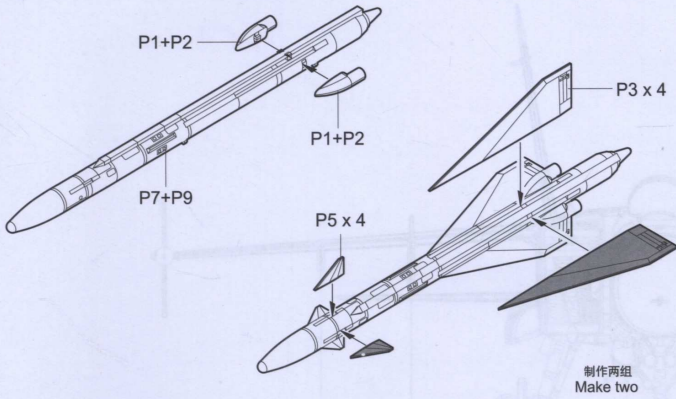
对侧 D4
Opposite D4
D5

G16
对侧 G19
Opposite G19

G16

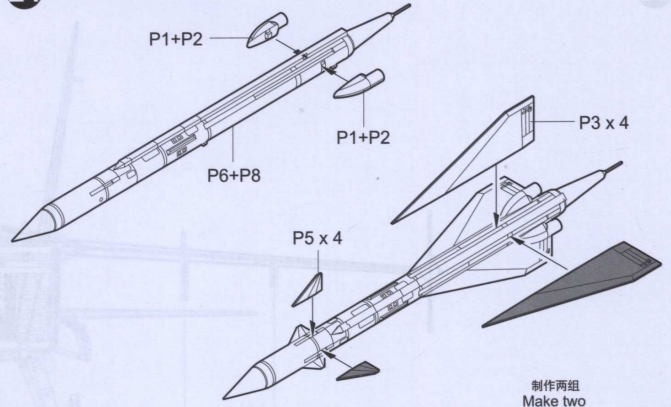


23 «R-40T»



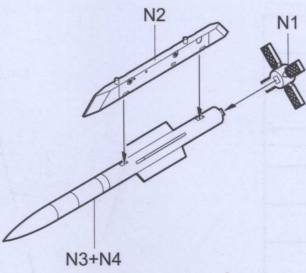
制作两组
Make two

24 «R-40R»



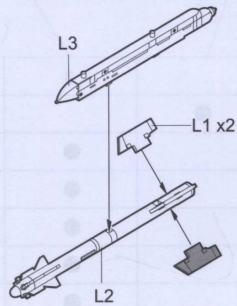
制作两组
Make two

25 «R-77»



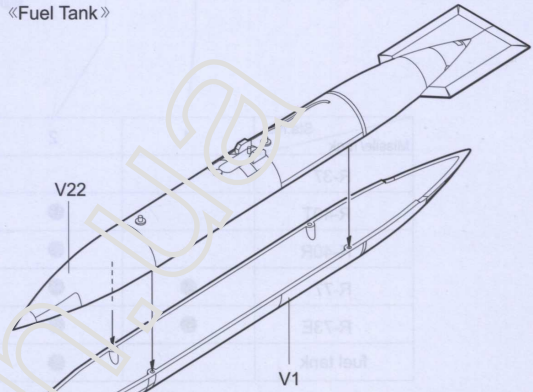
制作两组
Make two

26 «R-73E»



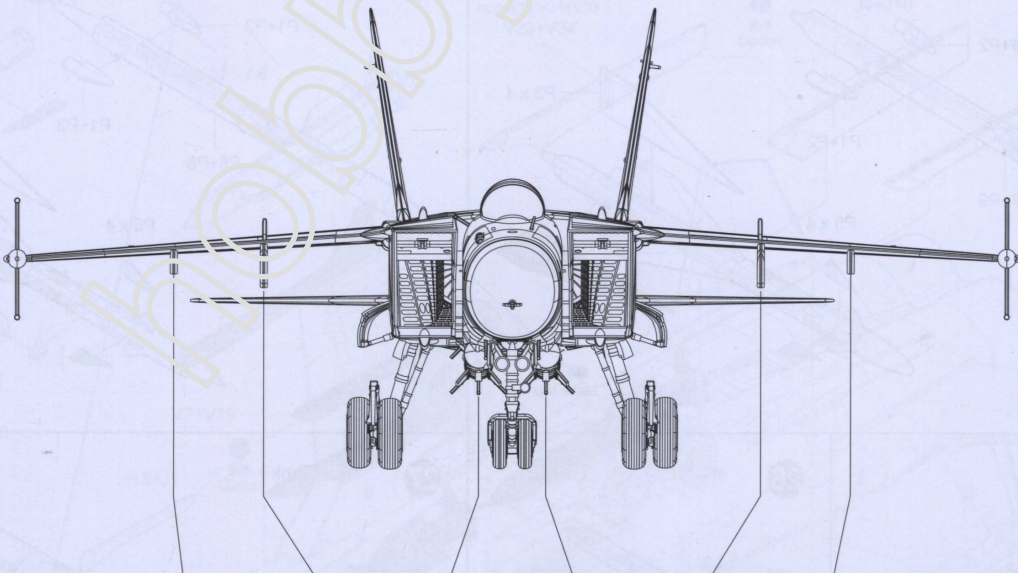
制作两组
Make two

27 «Fuel Tank»



制作两组
Make two

28

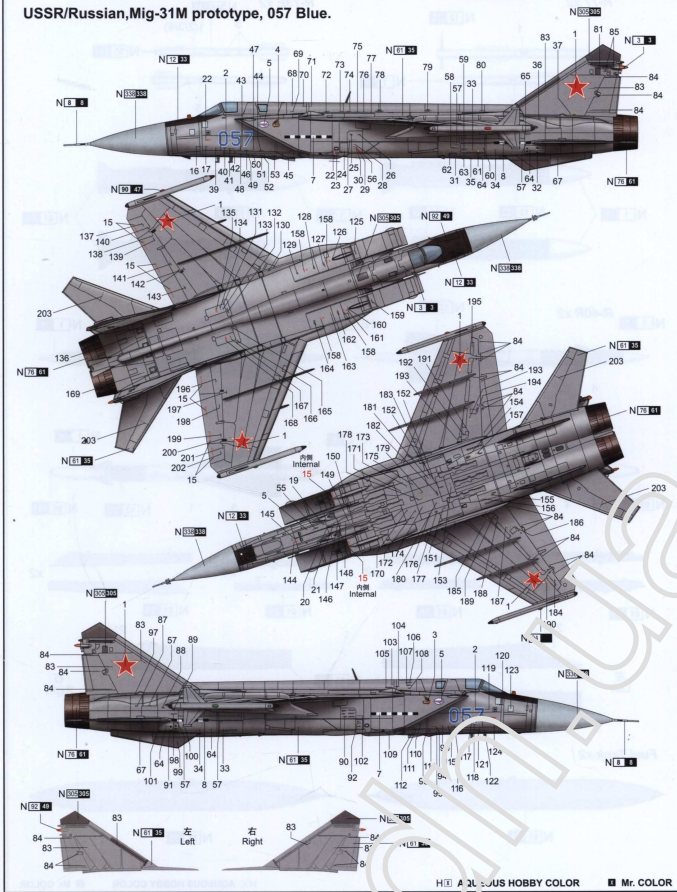


Missile/Tank	Sta.No.	1	2			3	4
R-37				●	●		
R-40T			●			●	
R-40R			●			●	
R-77		●	●			●	●
R-73E		●	●			●	●
fuel tank			●			●	

涂装同标贴指示
Painting & Marking guide

PAINT REFERENCE COLOUR						PAINT REFERENCE COLOUR					
Color	Mr.Hobby	Vallejo	Model Master	Tamiya	Humbrol	Color	Mr.Hobby	Vallejo	Model Master	Tamiya	Humbrol
深灰	N[12] 33	907	1731	—	148	深灰	N[12] 33	997	1546	X11	11
浅灰	N[12] 33	863	1785	X10	93	深灰	N[12] 33	994	—	X27	—
深红	N[12] 33	935	—	X26	—	深红	N[12] 33	926	—	X25	—
浅红	N[12] 33	908	1503	X7	19	深红	N[12] 33	950	1749	XF1	33
浅灰	N[12] 33	907	1732	XF14	147	深灰	N[12] 33	866	1723	XF58	125

USSR/Russian, Mig-31M prototype, 057 Blue.



涂装同标贴指示
Painting & Marking guide

PAINT REFERENCE COLOUR						PAINT REFERENCE COLOUR					
Color	Mr.Hobby	Vallejo	Model Master	Tamiya	Humbrol	Color	Mr.Hobby	Vallejo	Model Master	Tamiya	Humbrol
深灰	N[12] 33	842	—	XF2	22	深灰	N[12] 33	—	—	—	—
浅灰	N[12] 33	808	150	X7	19	深灰	N[12] 33	991	1745	X2	22
深灰	N[12] 33	907	173	—	148	深灰	N[12] 33	950	1749	XF1	33

