

Soviet A-19 122mm Gun Mod. 1937

苏联A-19 122毫米火炮 1937年

READ BEFORE ASSEMBLY:

- Study and understand these instructions thoroughly before beginning assembly
- When needed, remove photo-etch parts carefully using a modeling knife or photo etch sprue cutter, being careful not to damage or lose small parts.
- Take extra care in handling photo etch parts in order to avoid injury
- Apply instant cement sparingly to photo etch parts where instructed
- Tools recommended(not included in kit):Plastic and instant cements, sprue cutters,long nose pliers,modeling knife, small files, tweezers, pin vise & scissors. Soft cloth and sandpaper will also assist in construction
- Glue and paint are not included in the kit. Use plastic cement and hobby paints only. Color guide for purchasing paint is included in the kit.

装配之前仔细阅读

- 小心用模型锉刀锉平所有零件表面的注射浇口。
- 小心用刀片切下蚀刻片零件，不要遗失小零件。
- 切忌过快干胶水粘合蚀刻片零件和金属轴。过量快干胶水使用可能导致可动零件会粘住，小心涂胶。
- 取蚀刻片时应特别注意安全，防止利边划伤手指。
- 某些零件表面需贴水上贴纸，请选择在装配的同时进行。
- 推荐模型工具(自备)：胶水，水口剪刀，长咀钳，刀片，锉刀，镊子，钳，钻，剪刀，瞬间快干胶。
- 软布同砂纸同时也应该是必备工具。
- 请使用塑料胶水和油漆，模型内不含。



配重
Weight



使用强力胶
Cyanoacrylate glue



钻孔
Make hole



切除
Cut / Remove



贴纸
Decal



锉平
File / Sand



选择
Option



不涂胶水
No cement



弯曲
Bend

水贴纸的使用:

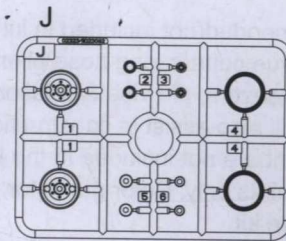
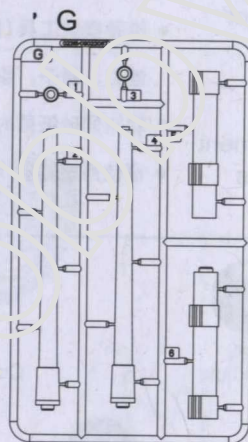
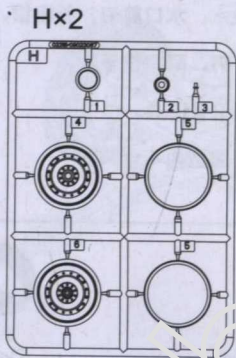
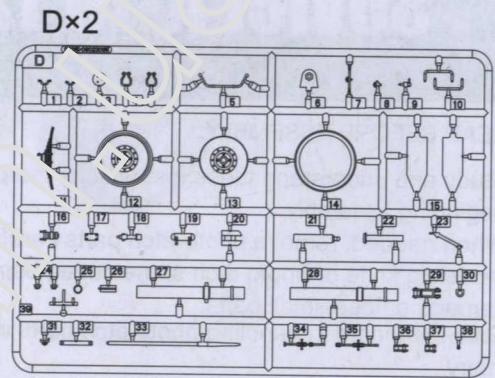
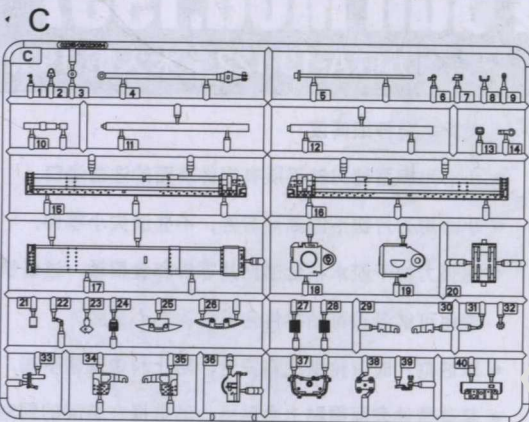
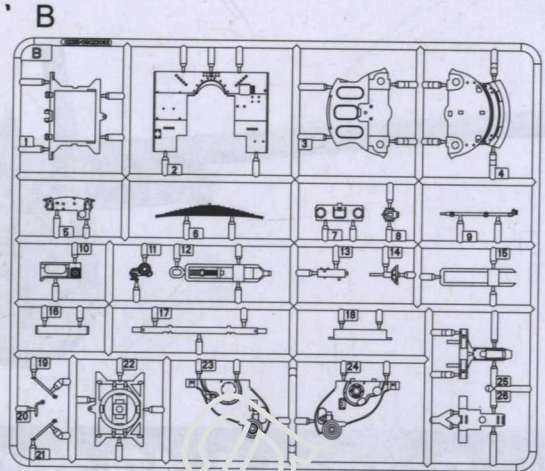
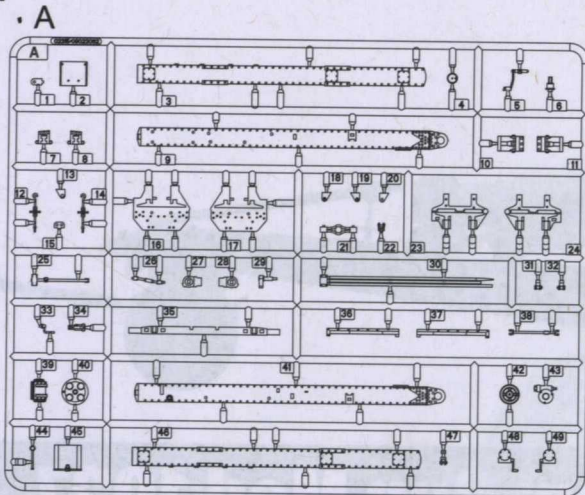
- 1.从水贴上剪下印花;
- 2.将印花放入温水中浸10秒,然后放在干净布上。
- 3.拿着印花纸板将印花移到模型上;
- 4.手指蘸水将印花移到适当的位置;
- 5.用软布轻压印花直至水干, 汽泡消失

DECAL APPLICATION

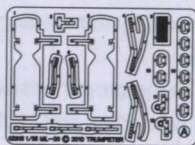
- 1.Cut decals from sheet as needed
- 2.Dip the decal in warm water for about 10 seconds and then place on soft clean cloth.
- 3.Hold the decal backing sheet edge and gently slide the decal onto the model in its proper position.

- 4.While still wet,decal can be adjusted for better fit on model by dampening it gently with your finger.
- 5.When placed in the proper position,gently press decal down with a soft cloth until excess water and air bubbles are gone.
- 6.Allow decal to dry completely before handling model

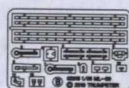
部品图
Part



《蚀刻片A》
PE-A



《蚀刻片B》
PE-B



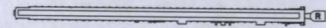
《轮胎 I》
Tyre I x4



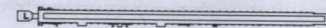
《轮胎 II》
Tyre II x2



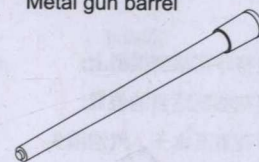
《炮架R》
FRAME-R



《炮架L》
FRAME-L



《金属炮管》
Metal gun barrel



1

弯曲
Bend
PE-A10

弯曲
Bend
PE-A10

《轮胎 I》
Tyre I

PE-A10
弯曲
Bend

PE-A10
弯曲
Bend

制作2组
Make two

《A-A》

2

PE-A11

A46

《炮架R》
FRAME-R

A20

A8

A19

A9

D6

PE-B12 × 2

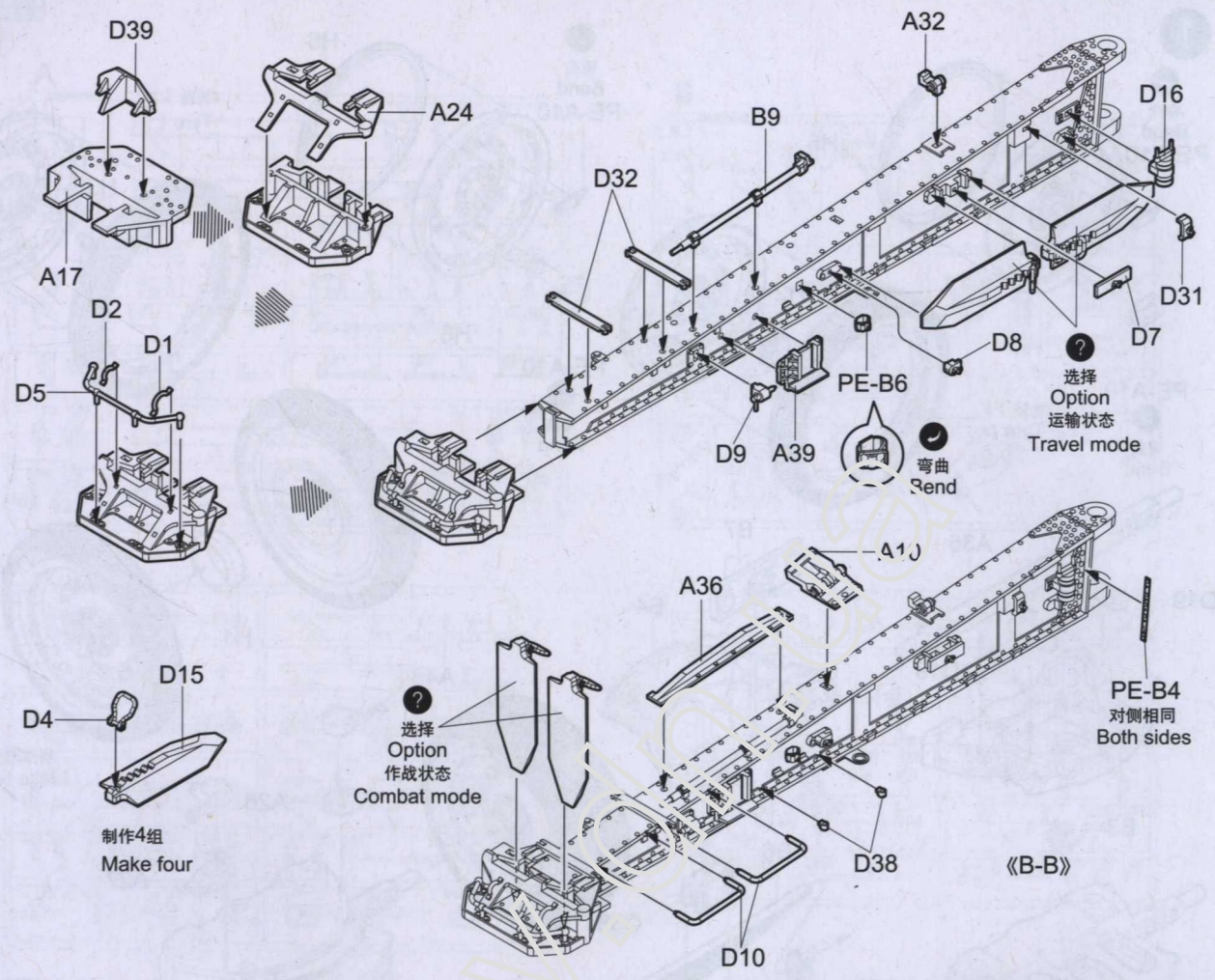
弯曲
Bend
PE-A8

PE-A8

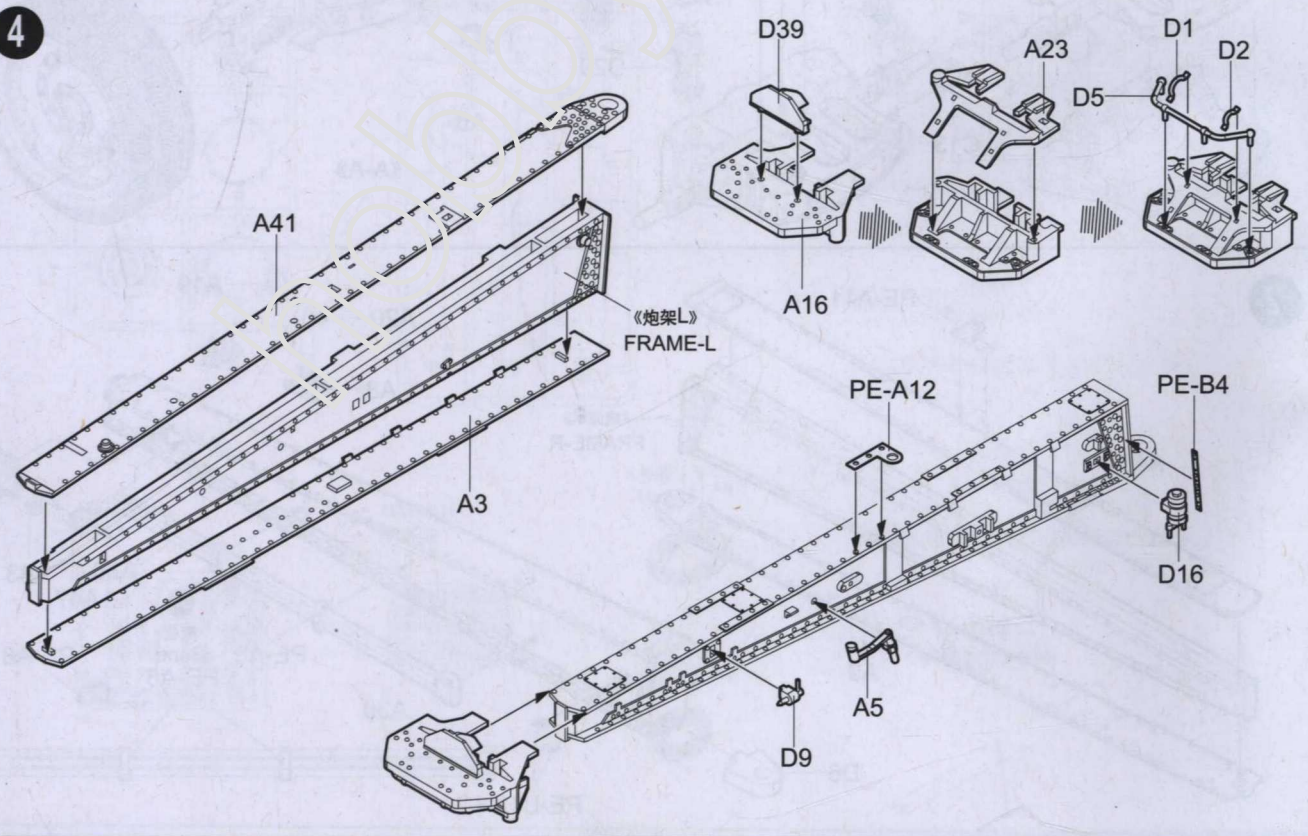
A30 A33
A47

A30

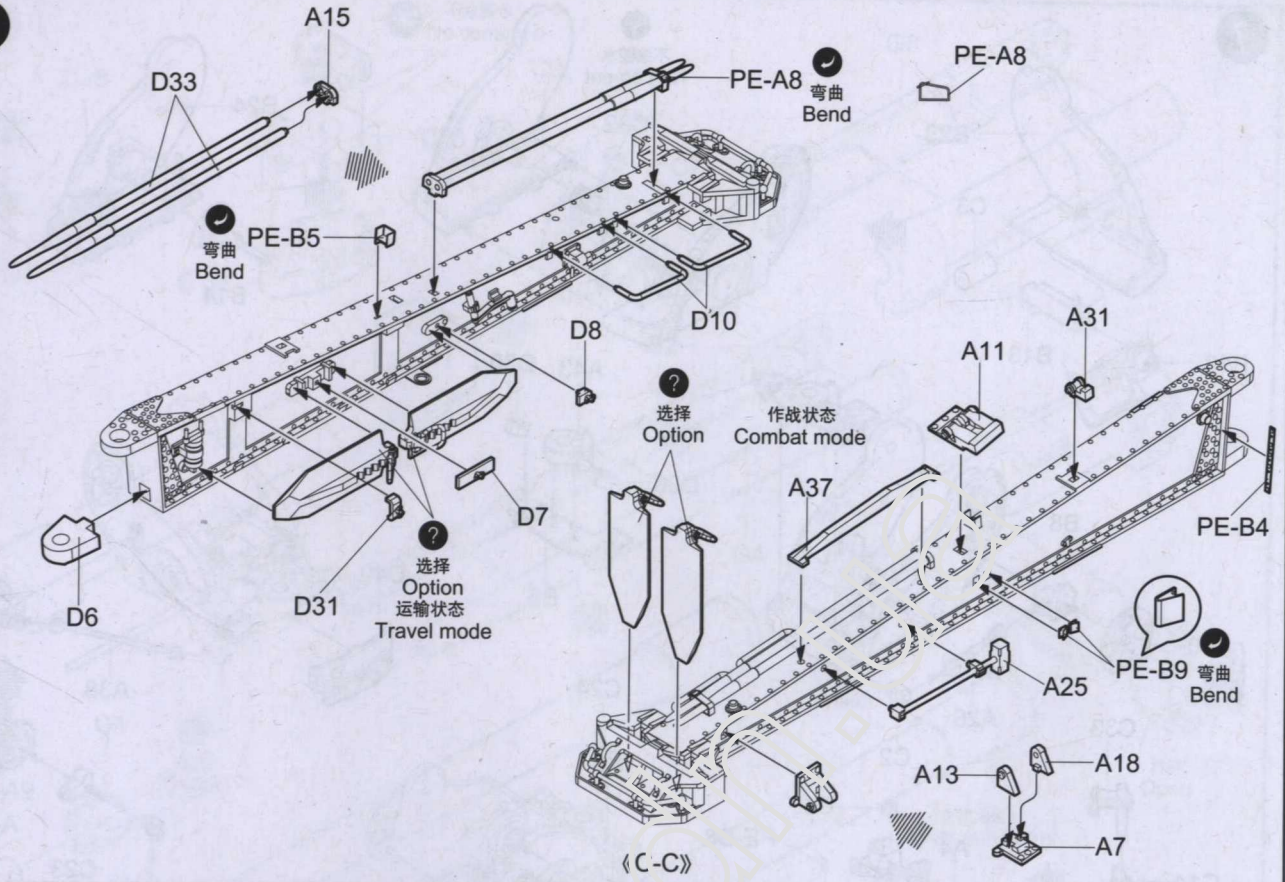
3



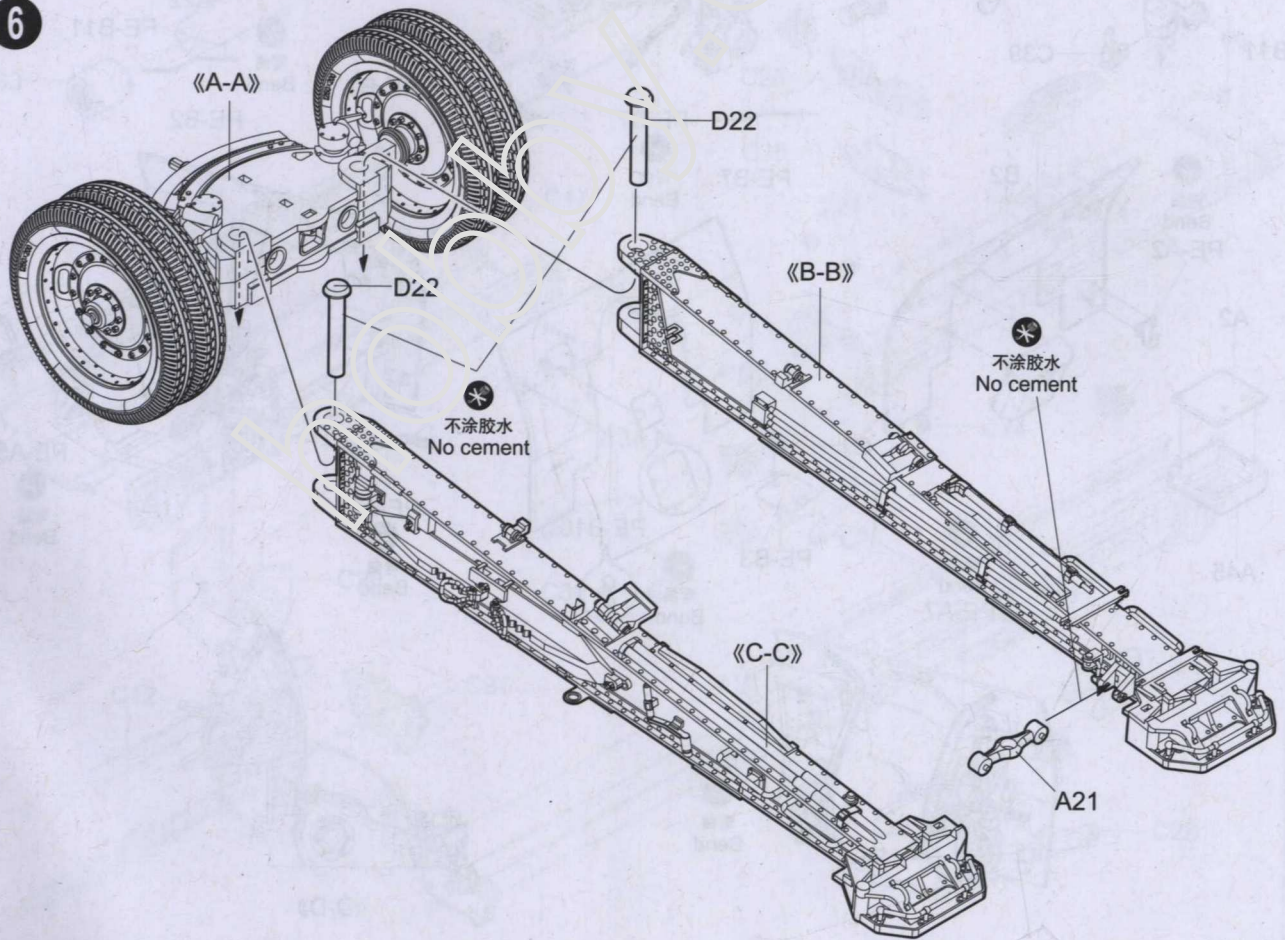
4



5

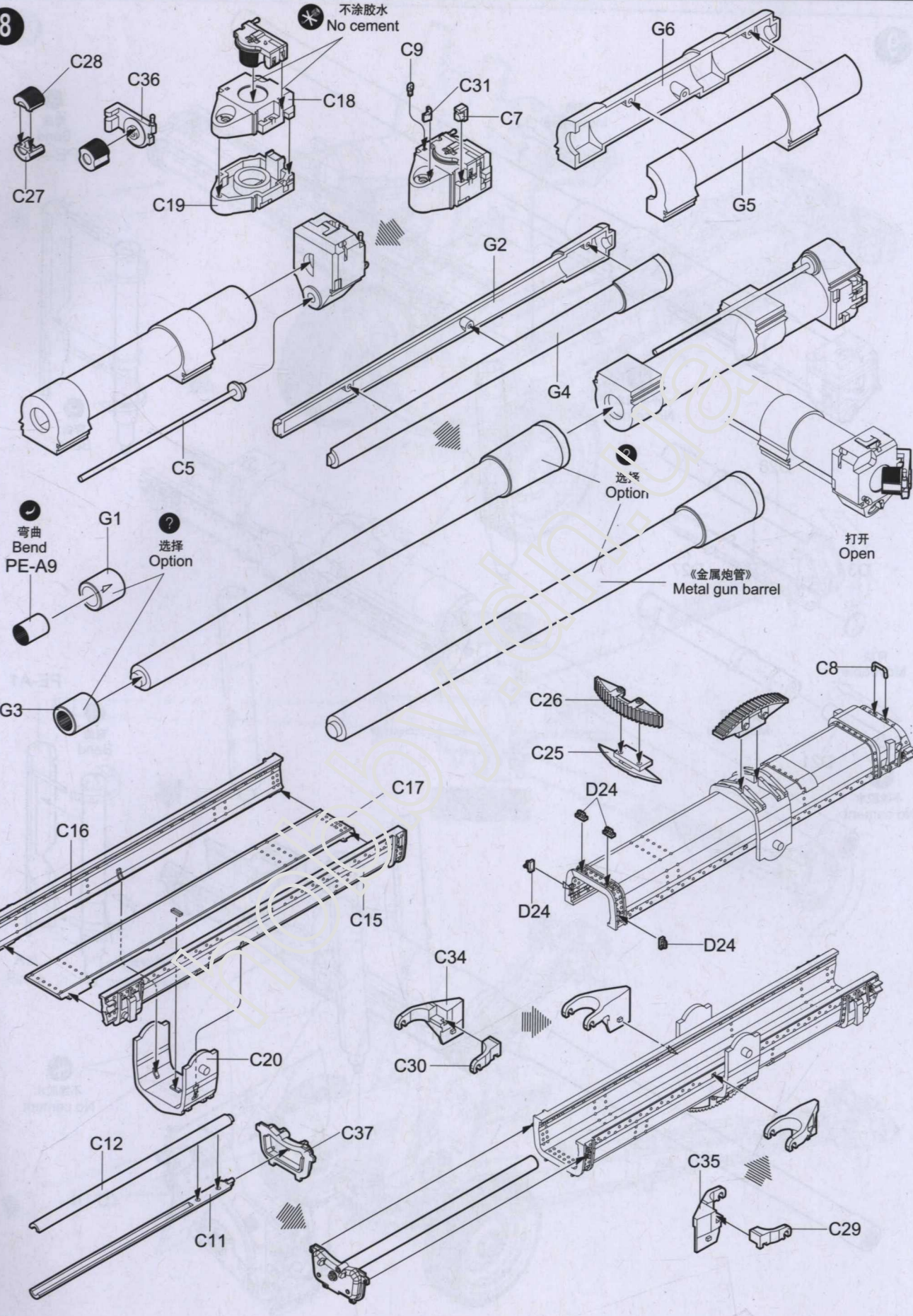


6

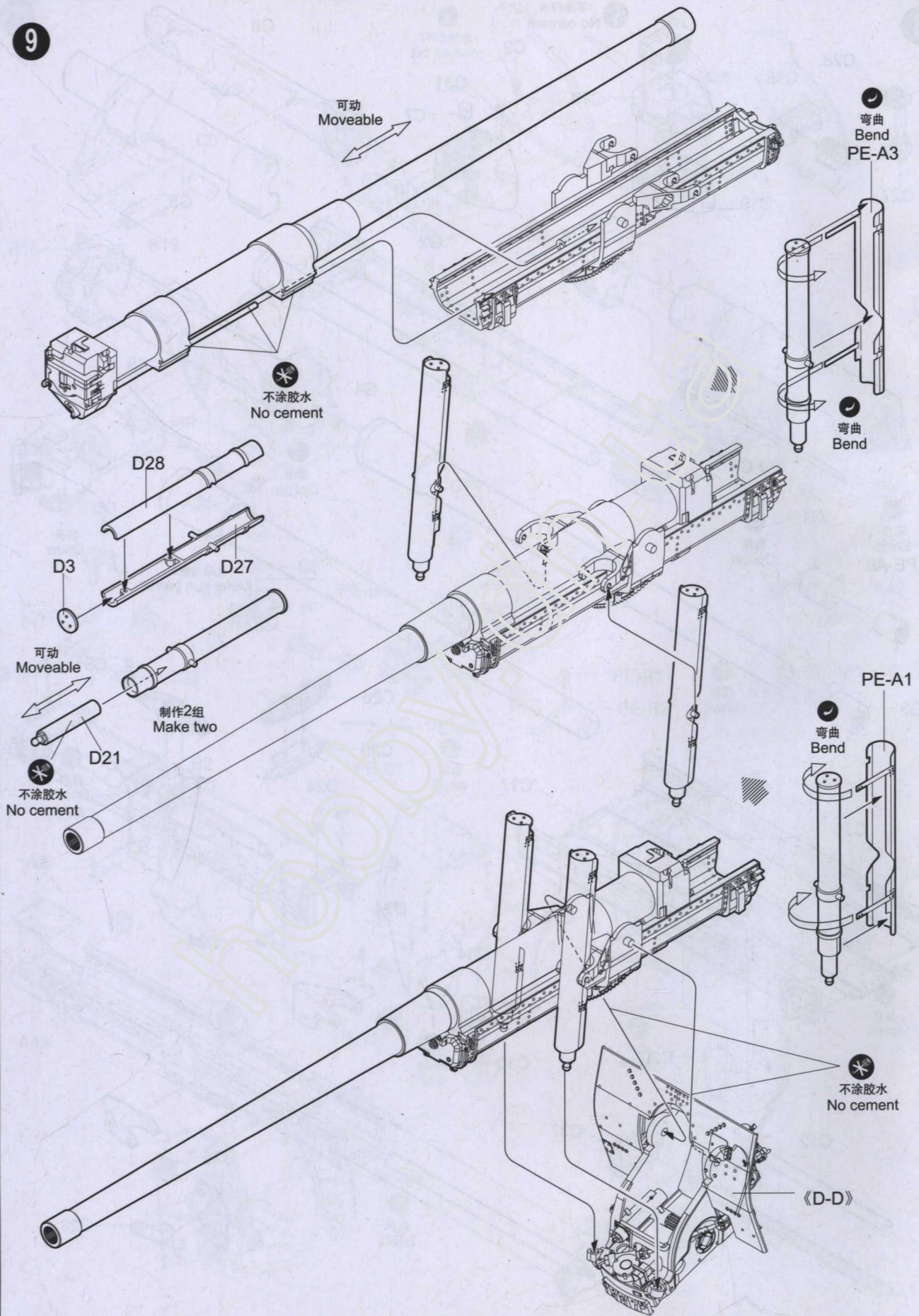


8

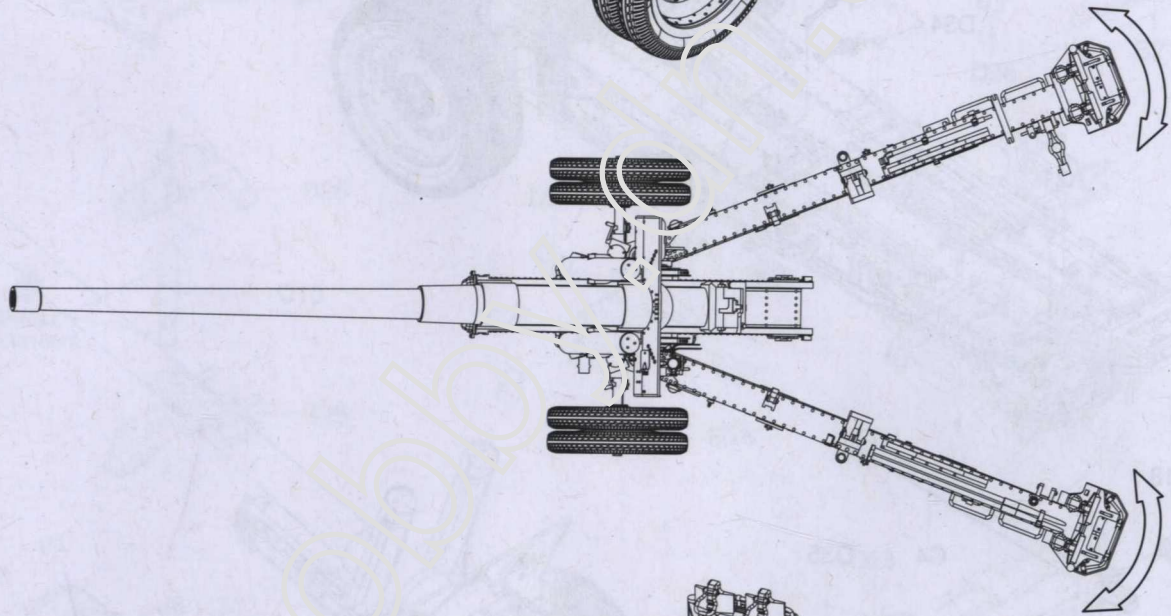
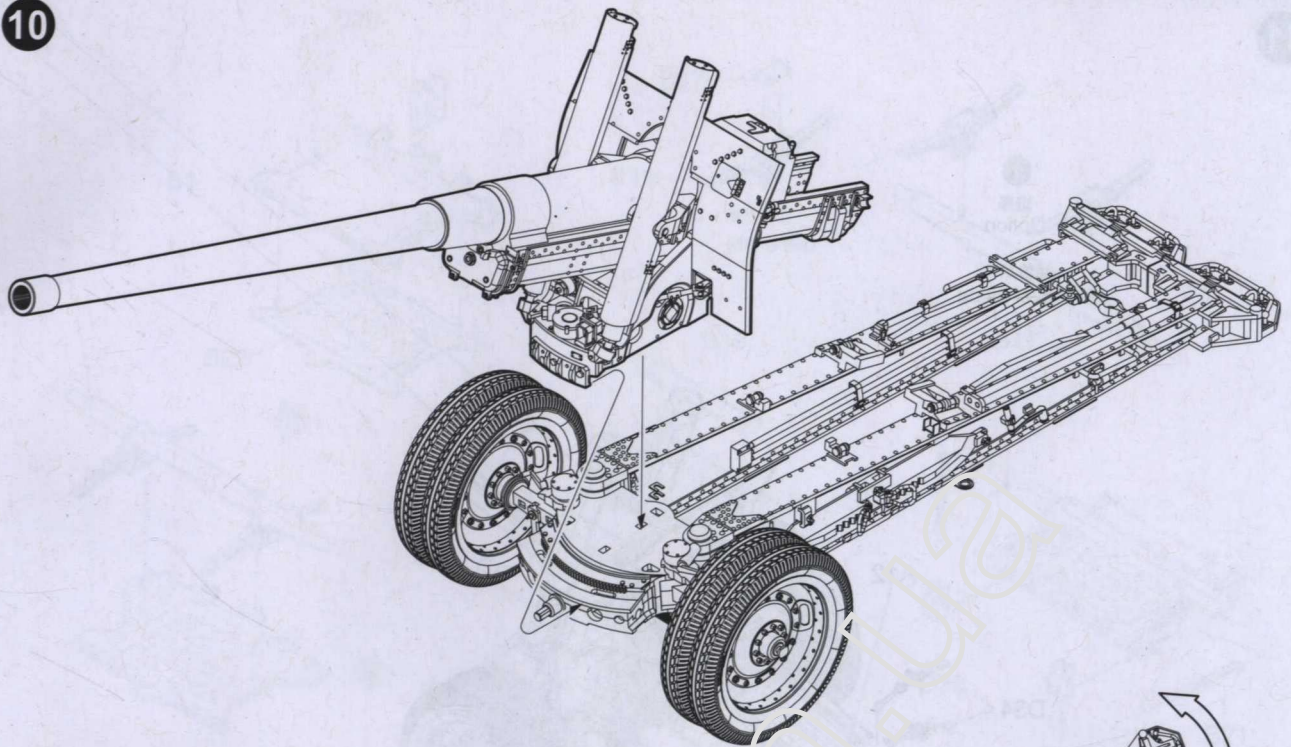
不涂胶水
No cement



9

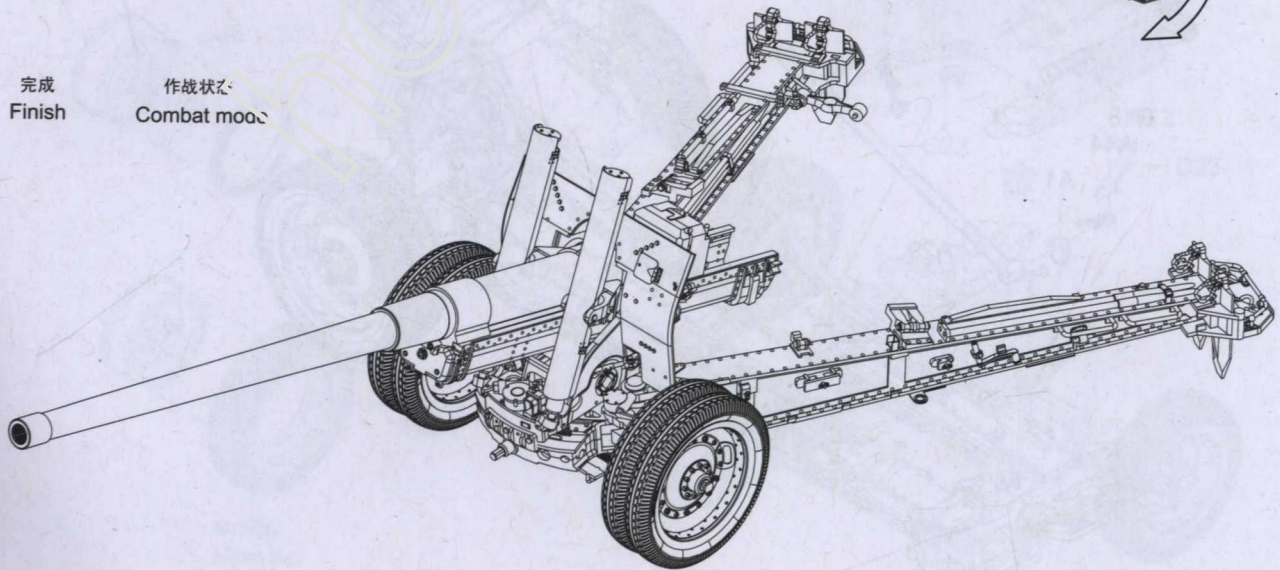


10



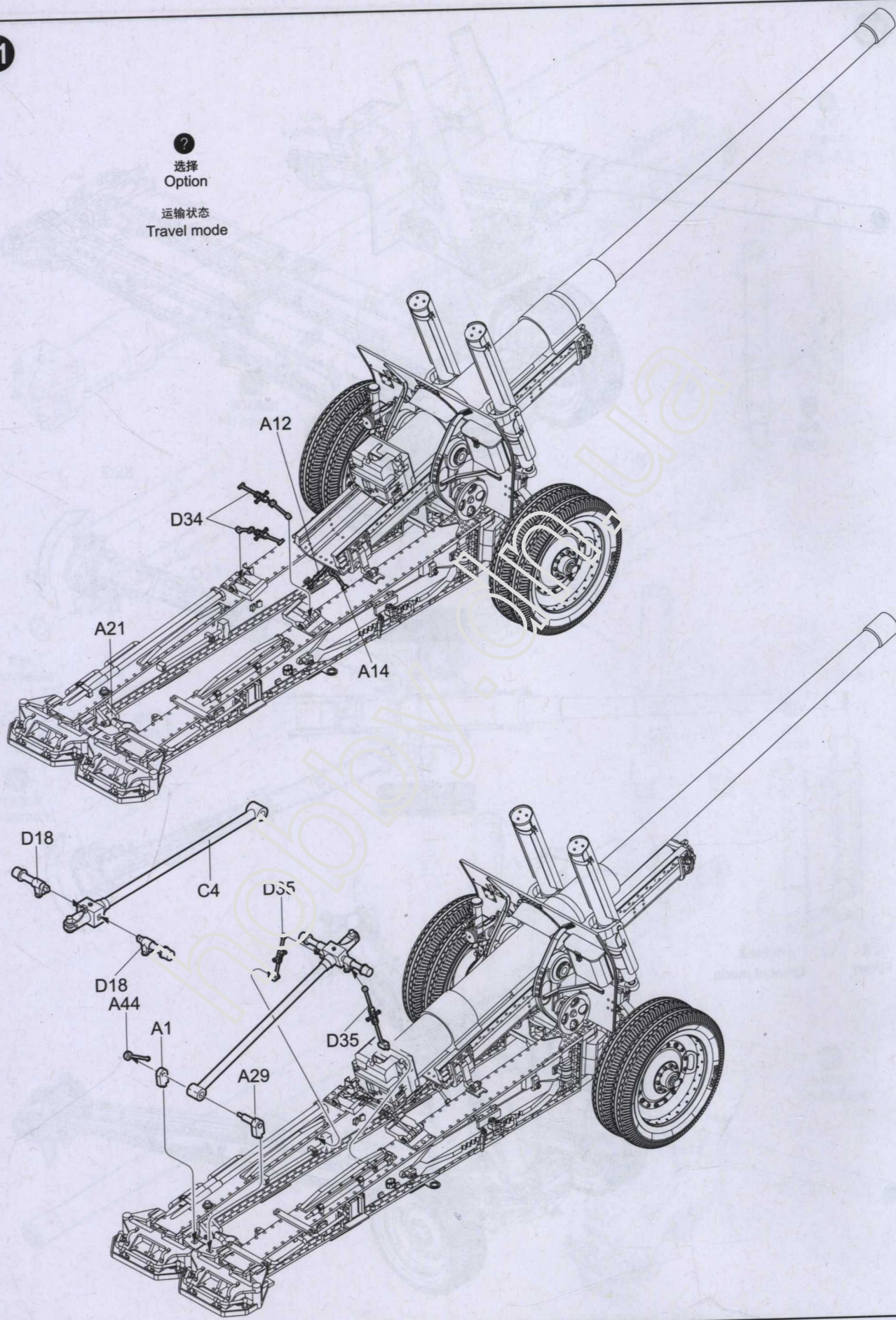
完成
Finish

作战状态
Combat mode

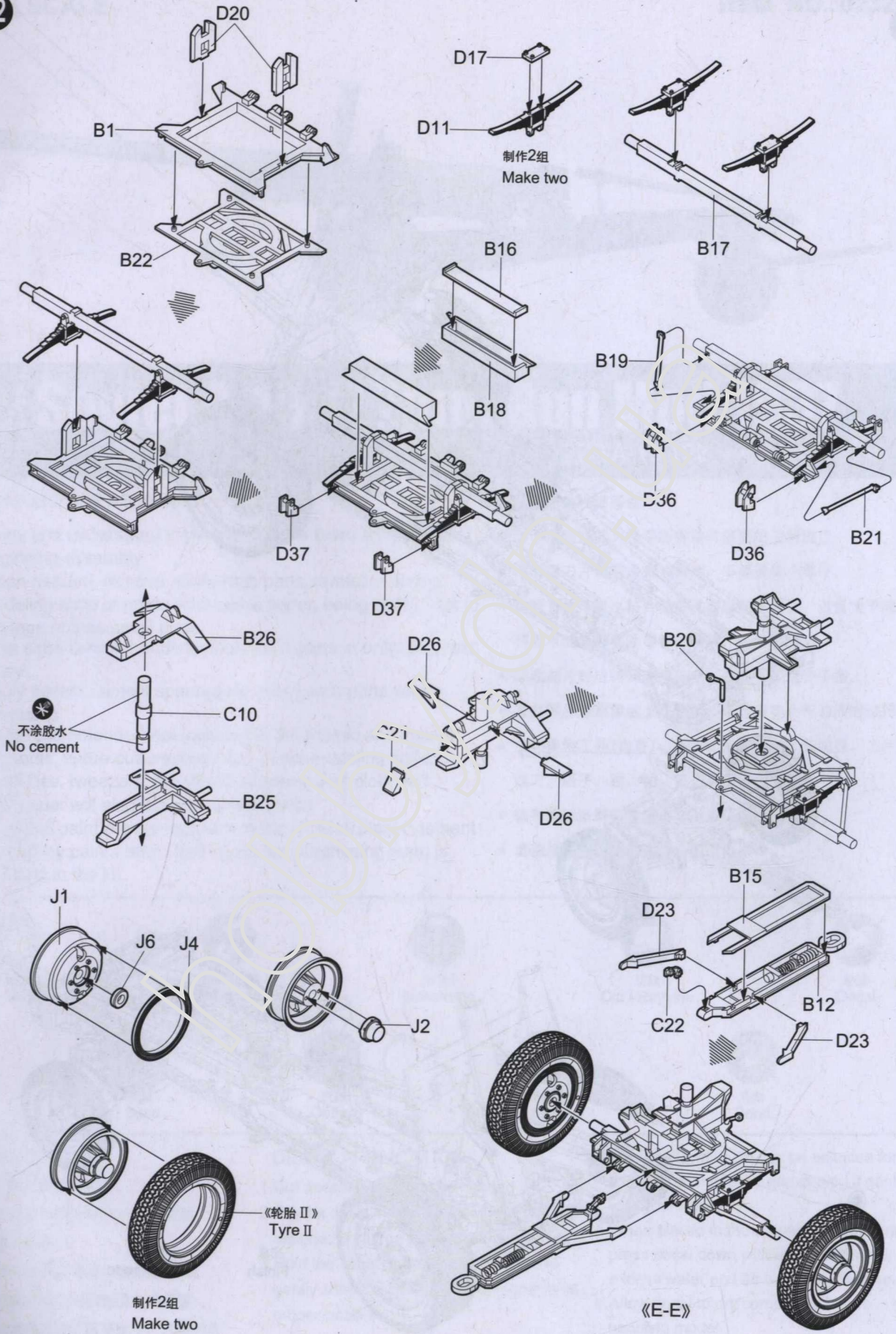


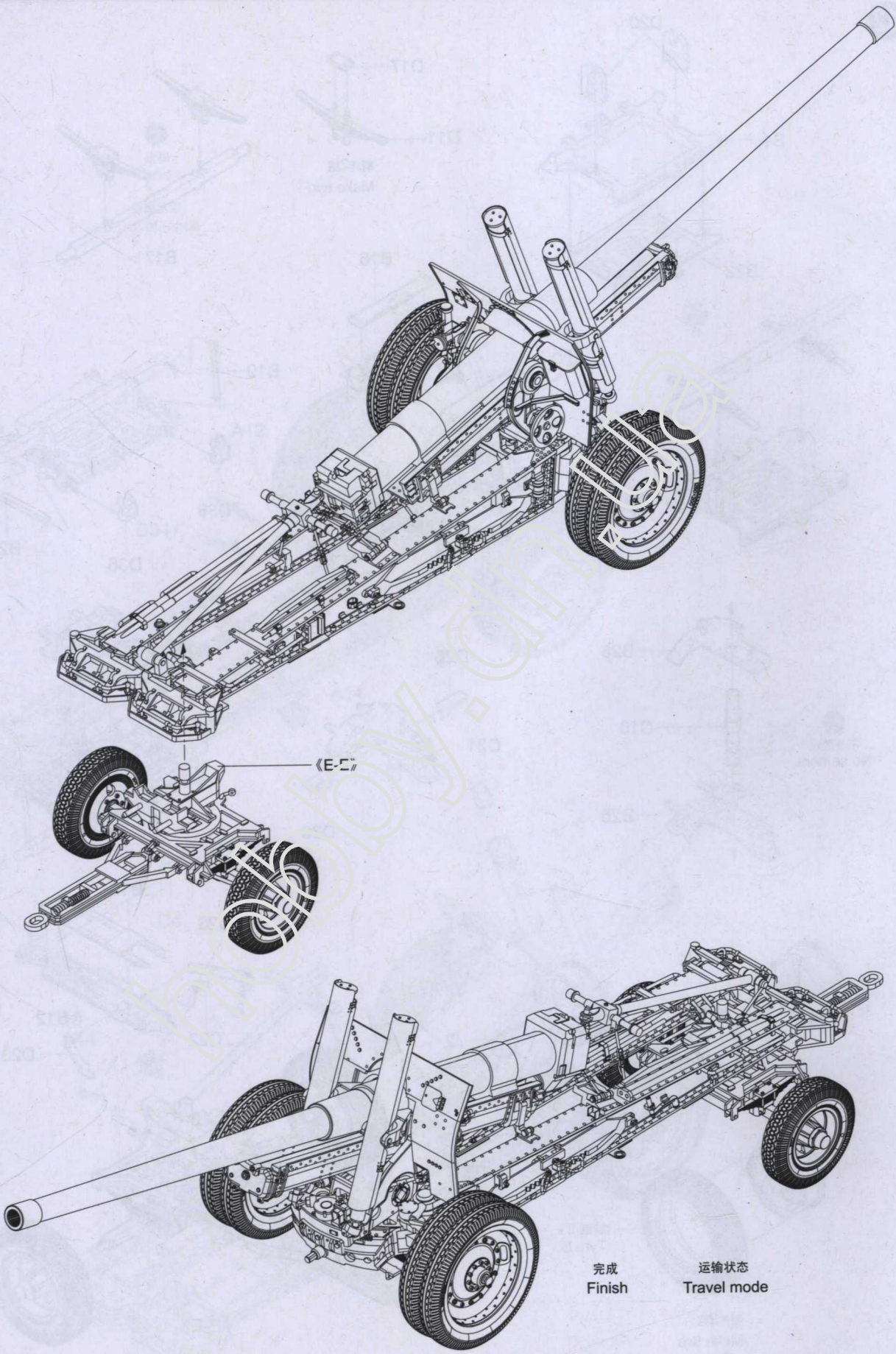
11

②
选择
Option
运输状态
Travel mode



12



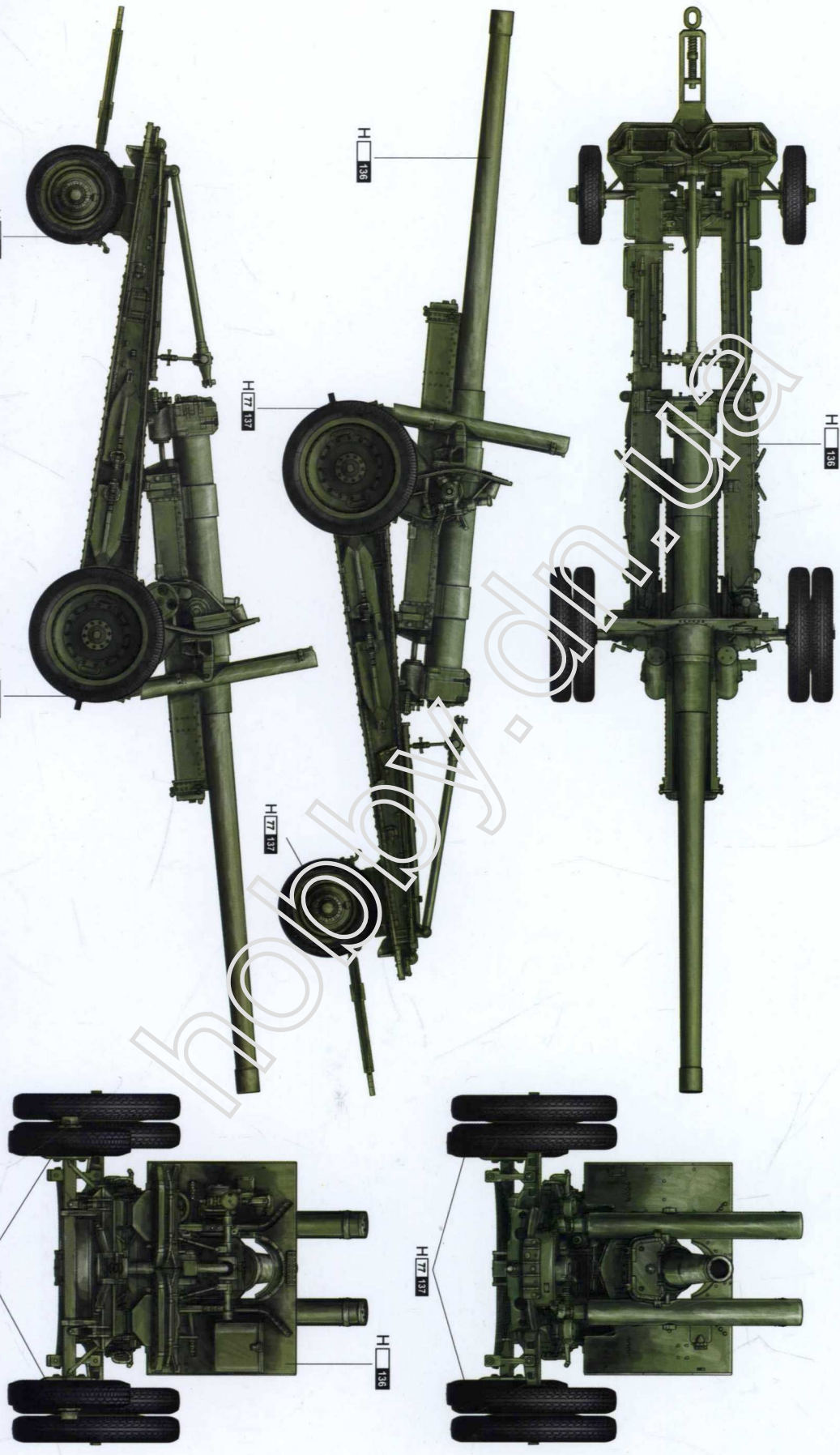


完成 运输状态
Finish Travel mode

涂装同标贴指示 Painting & Marking guide

PAINT REFERENCE COLOUR

Color	Mt.Hobby	Vallejo	Model Master	Tamiya	Humbrol
Tire Black 胎黑色	H 77 137	-	-	-	-
Medium Green 中绿色	H 136	823	-	-	-



H AQUEOUS HOBBY COLOR ■ M. COLOR

02325 1/35 Soviet A-19 122mm Gun Mod.1937