

# F-100D Super Sabre

1:48 SCALE

F-100D “超佩刀” 战斗机

## READ BEFORE ASSEMBLY:

- Study and understand these instructions thoroughly before beginning assembly
- When needed, remove photo-etch parts carefully using a modeling knife or photo etch sprue cutter, being careful not to damage or lose small parts.
- Take extra care in handling photo etch parts in order to avoid injury
- Apply instant cement sparingly to photo etch parts where instructed
- Tools recommended(not included in kit):Plastic and instant cements,sprue cutters,long nose pliers,modeling knife, small files, tweezers, pin vise & scissors. Soft cloth and sandpaper will also assist in construction
- Glue and paint are not included in the kit. Use plastic cement and hobby paints only. Color guide for purchasing paint is included in the kit.

## 装配之前仔细阅读

- 小心用模型锉刀锉平所有零件表面的注射浇口。
- 小心用刀片切下蚀刻片零件，不要遗失小零件。
- 用强力快干胶水粘合蚀刻片零件和金属轴。过量快干胶水使用可能导致可动零件会粘住，小心涂胶。
- 取蚀刻片时应特别注意安全，防止利边划伤手指。
- 某些零件表面需贴水上贴纸，请选择在装配的同时进行。
- 推荐模型工具(自备)：胶水，水口剪刀，长阻钳，刀片，锉刀，镊子，钳，钻，剪刀，瞬间快干胶。
- 软布同砂纸同时也应该是必备工具。
- 请使用塑料胶水和油漆，模型内不含。

## 水贴纸的使用:

1. 从水贴纸上剪下印花;
2. 将印花放入温水中浸10秒，然后放在干净布上。
3. 拿着印花纸板将印花移到模型上;
4. 手指蘸水将印花移到适当的位置;
5. 用软布轻压印花直至水干，气泡消失。

## DECAL APPLICATION:

1. Cut decals from sheet as needed
2. Dip the decal in warm water for about 10 seconds and then place on soft clean cloth.
3. Hold the decal backing sheet edge and gently slide the decal onto the model in its proper position.

4. While still wet, decal can be adjusted for better fit on model by dampening it gently with your finger.
5. When placed in the proper position, gently press decal down with a soft cloth until excess water and air bubbles are gone.
6. Allow decal to dry completely before handling model



cyanoacrylate glue  
使用强力胶



weight  
配重



make hole  
钻孔



cut / remove  
切除



option  
选择



no cement  
不涂胶水



decal  
贴纸

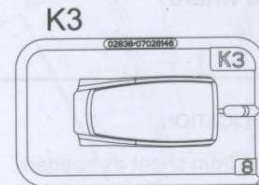
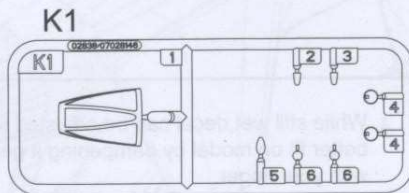
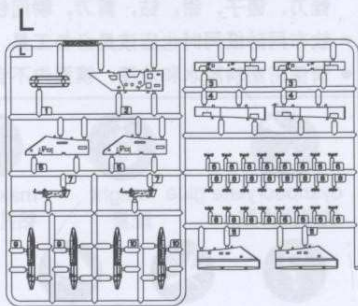
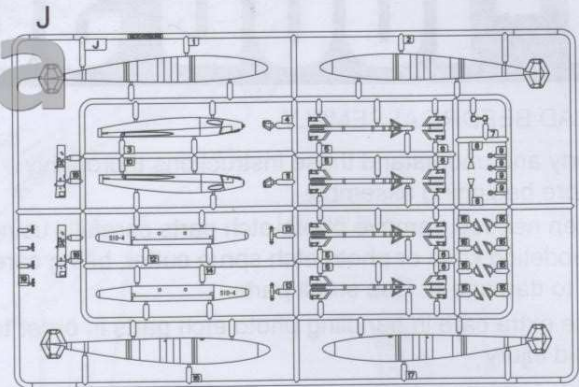
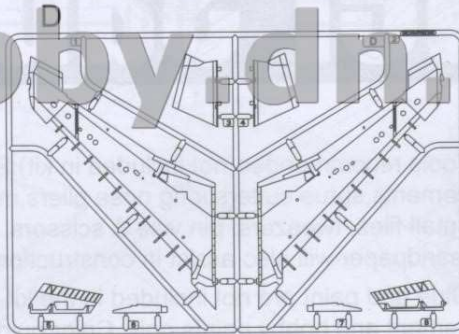
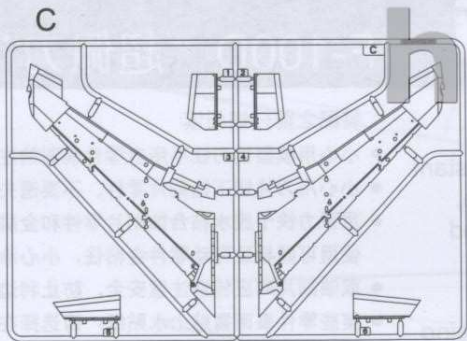
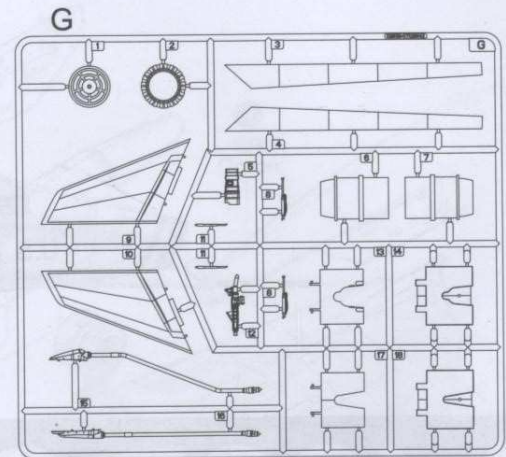
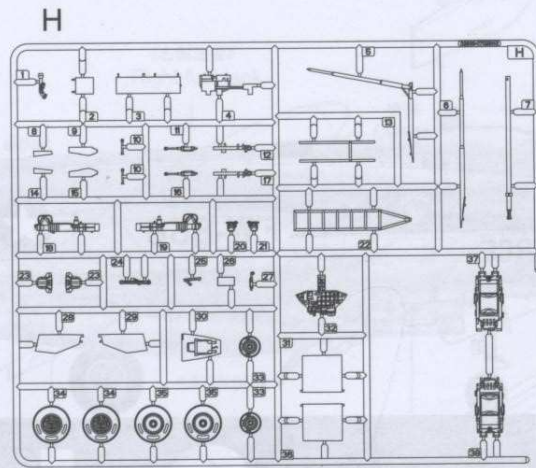
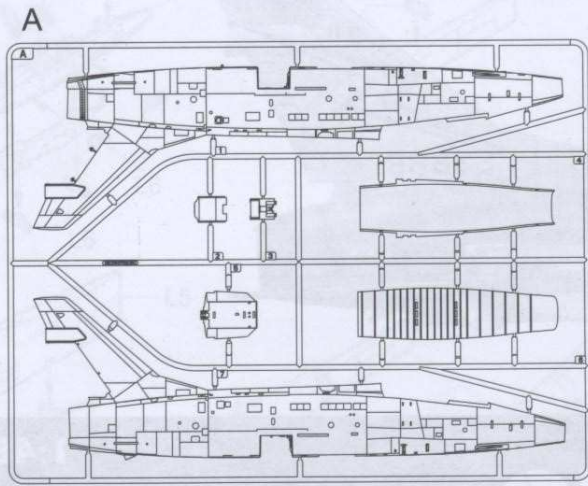


bend  
弯曲

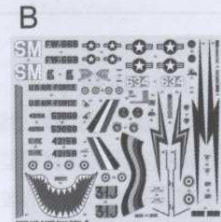
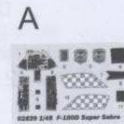


file / sand  
锉平

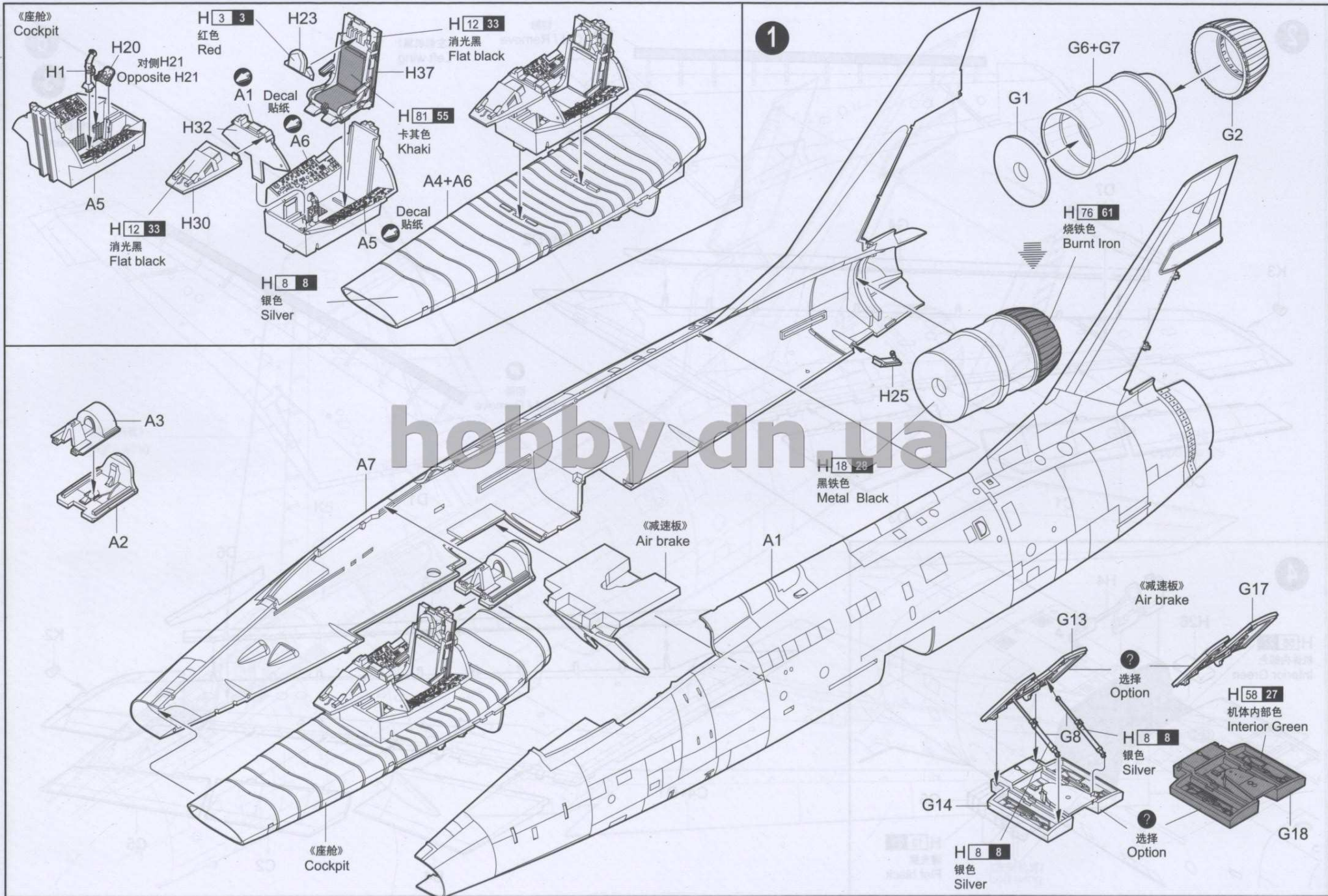
部品图  
Parts



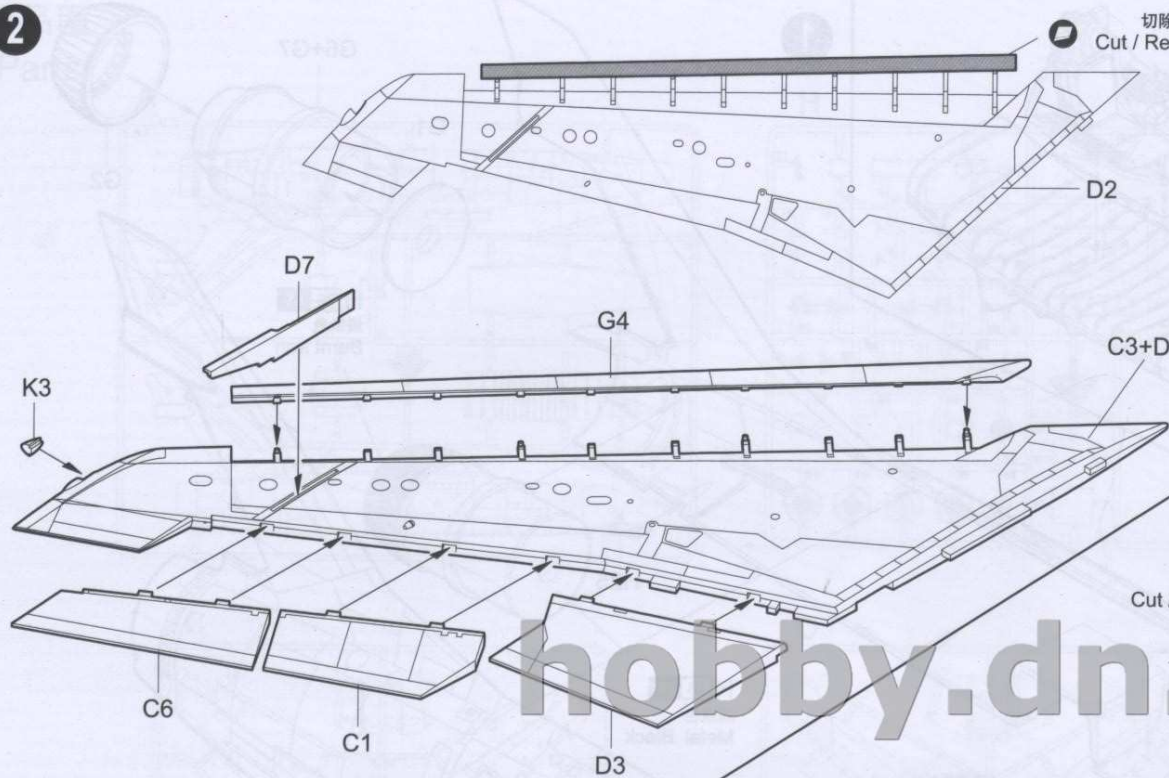
《水貼》  
Decal



不用的部件: H38  
Unused parts

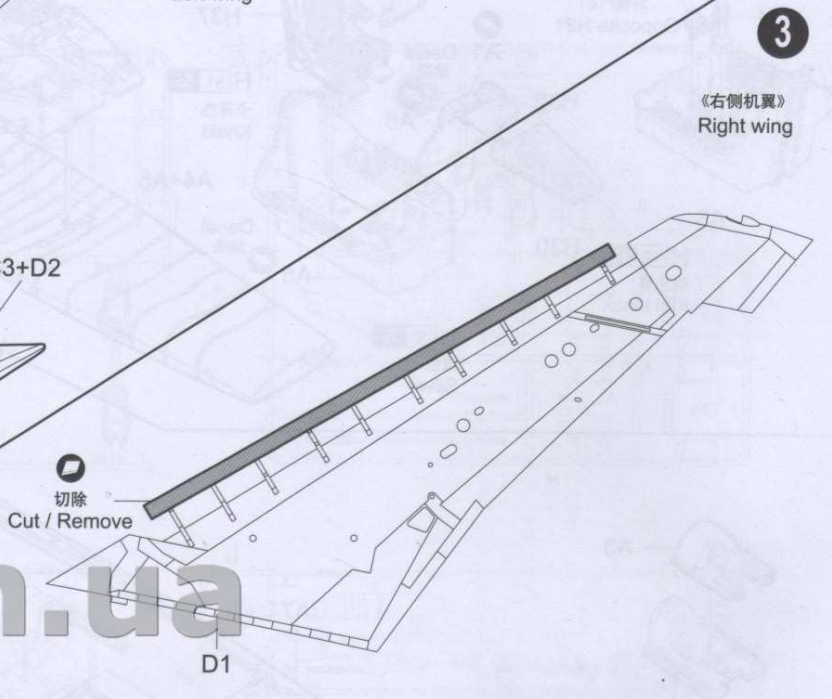


2



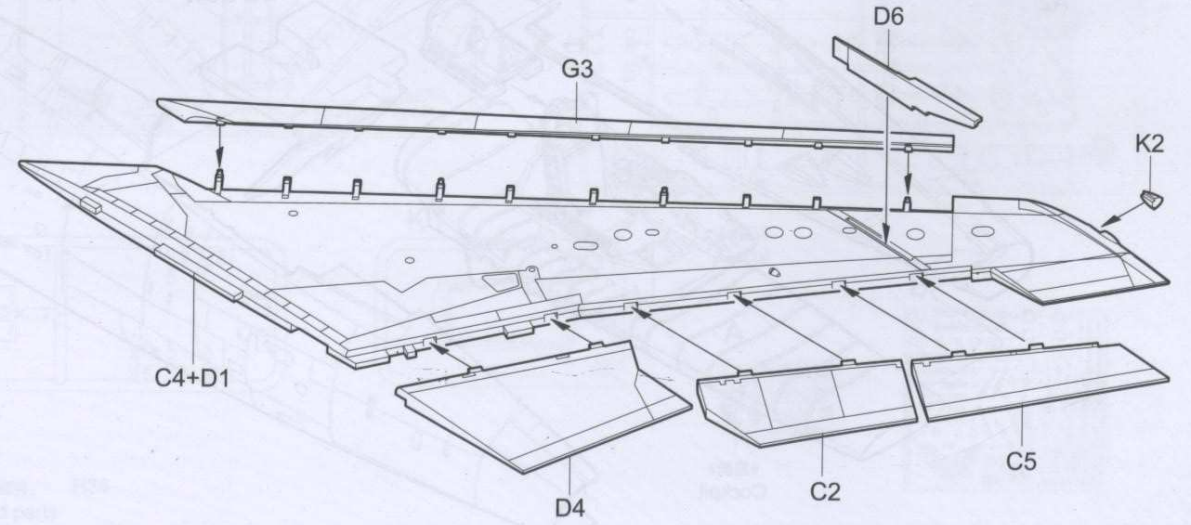
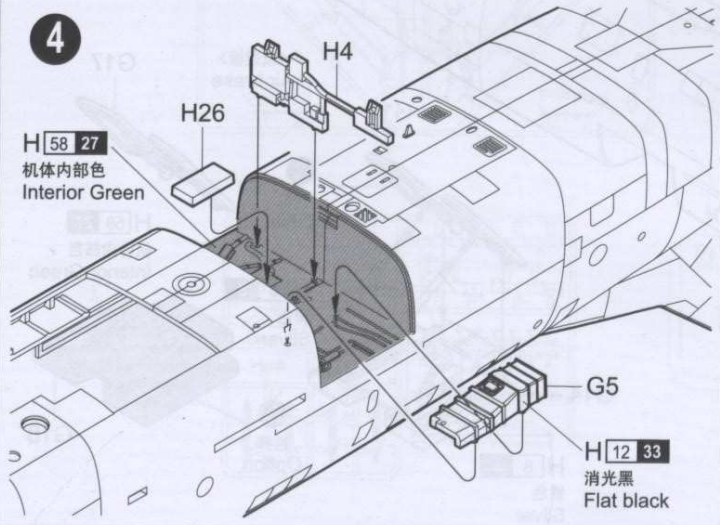
《左侧机翼》  
Left wing

3

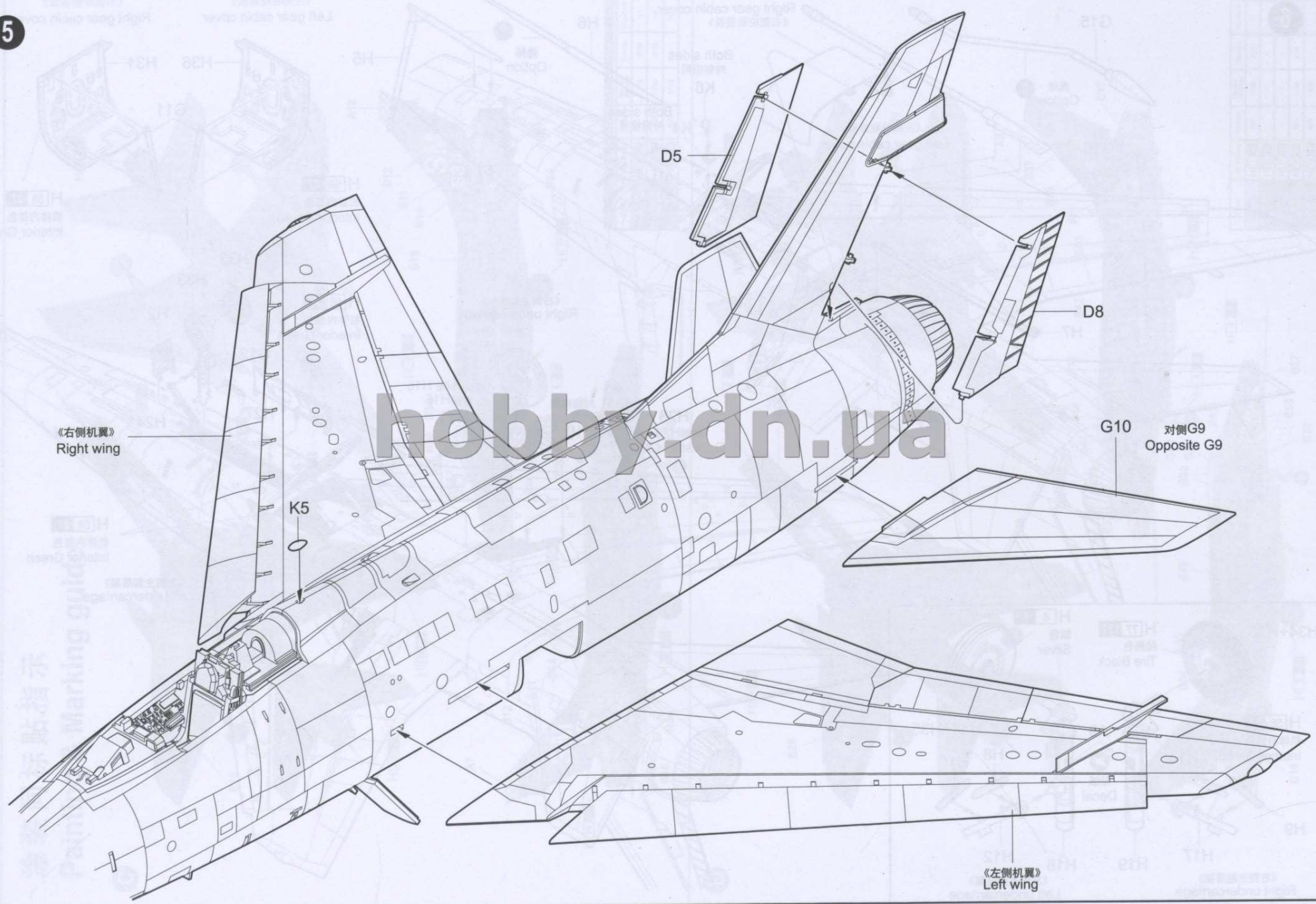


《右侧机翼》  
Right wing

4



5

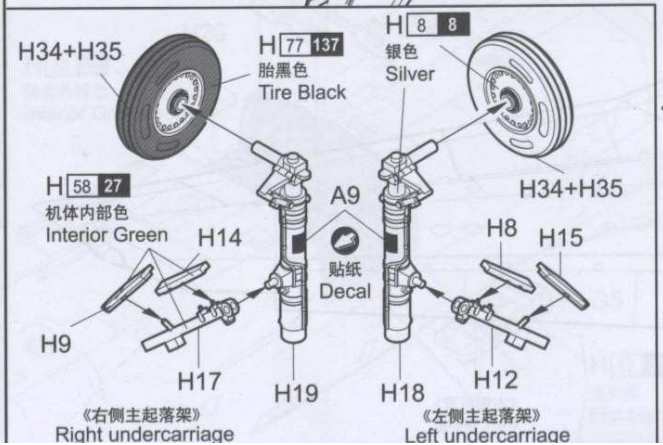
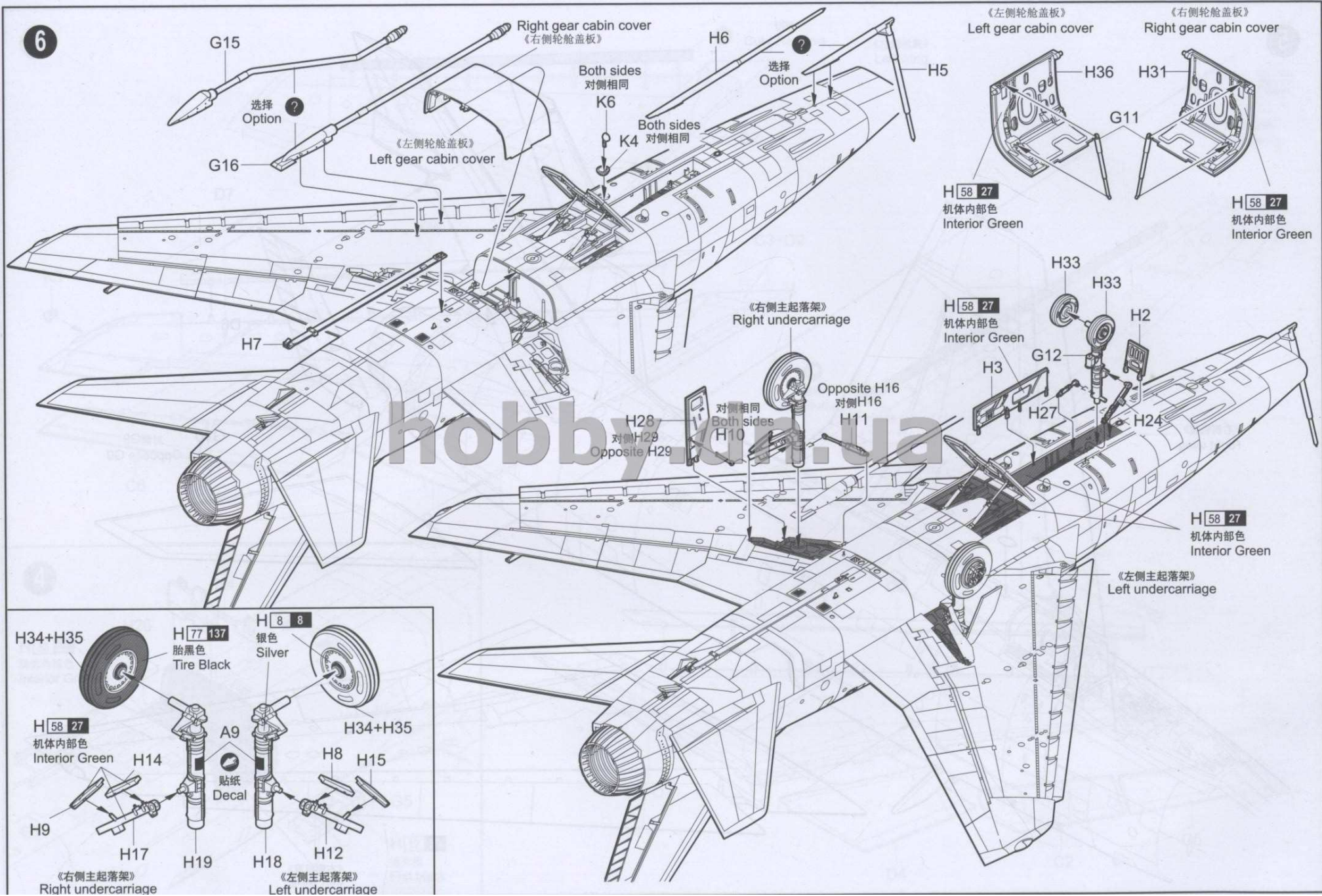


《右側机翼》  
Right wing

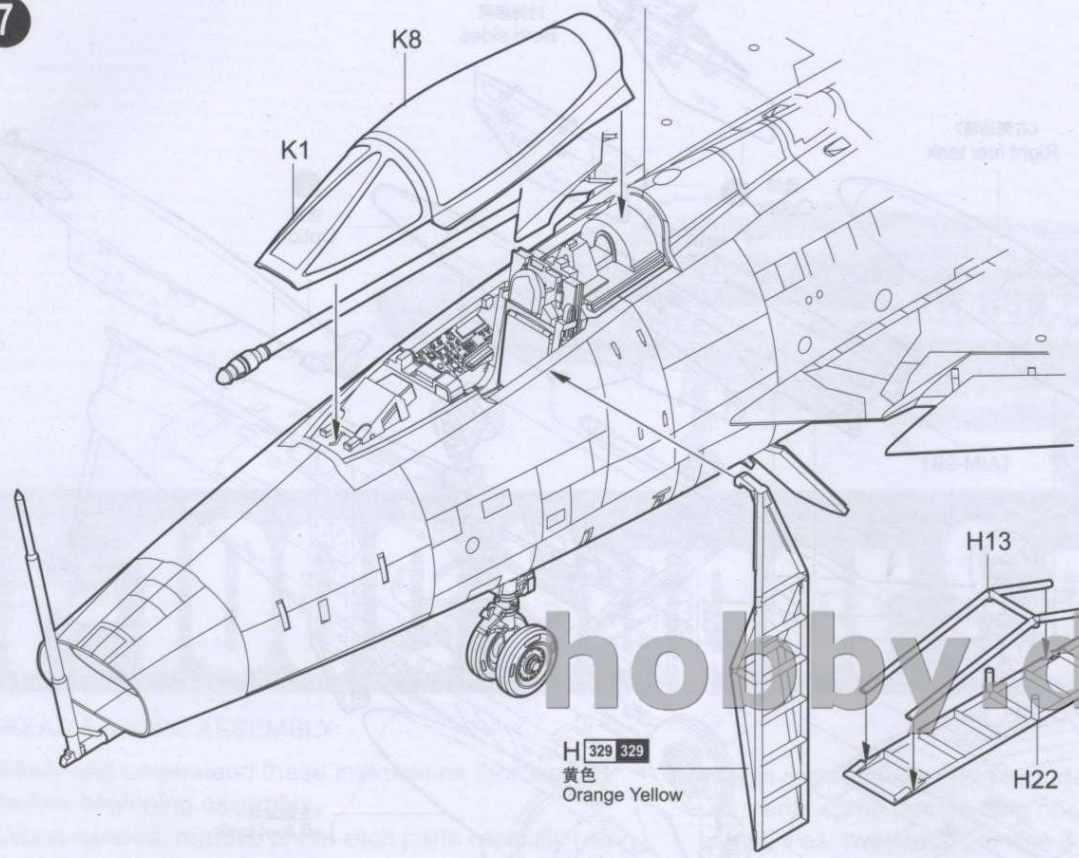
《左側机翼》  
Left wing

G10  
对侧G9  
Opposite G9

6

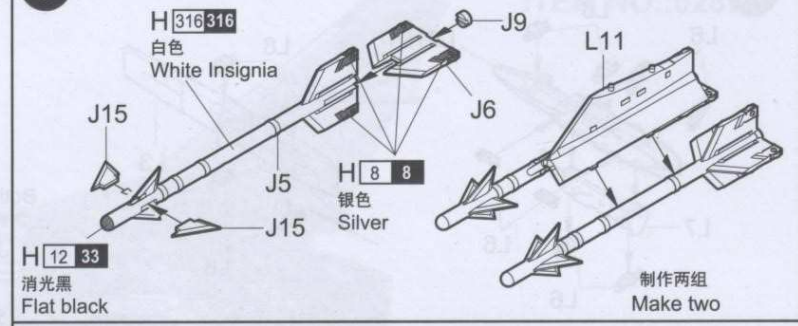


7



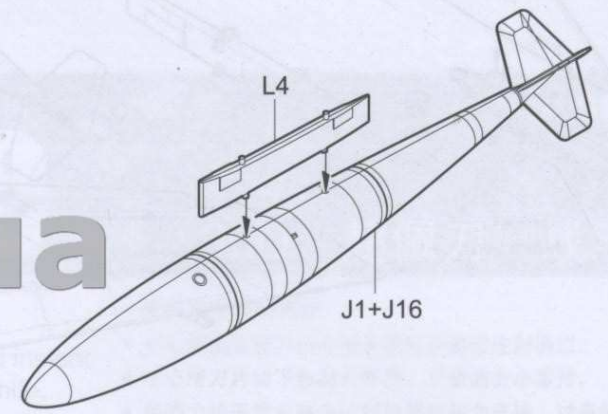
9

《AIM-9B》

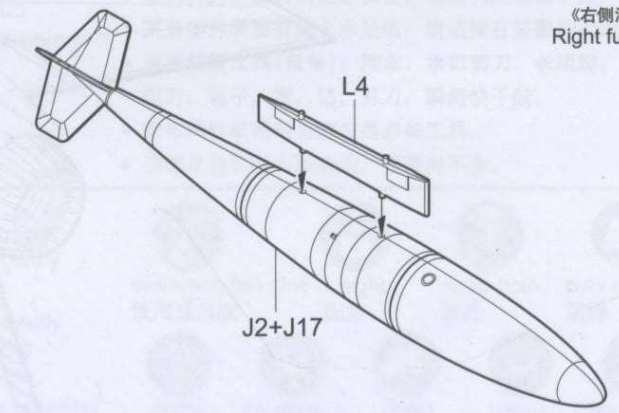


10

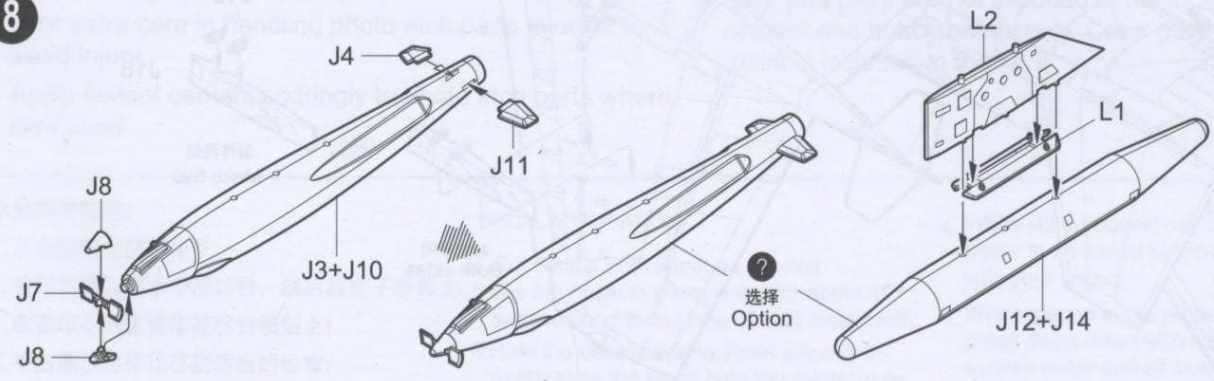
《左侧油箱》  
Left fuel tank



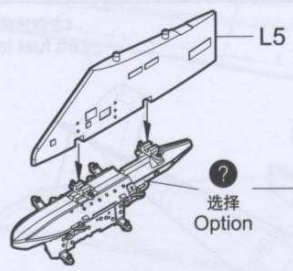
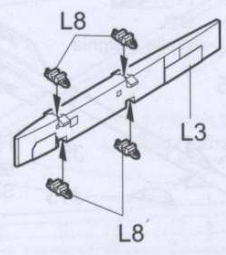
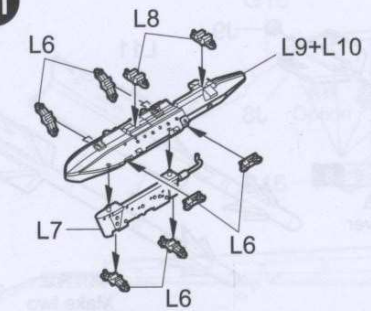
《右侧油箱》  
Right fuel tank



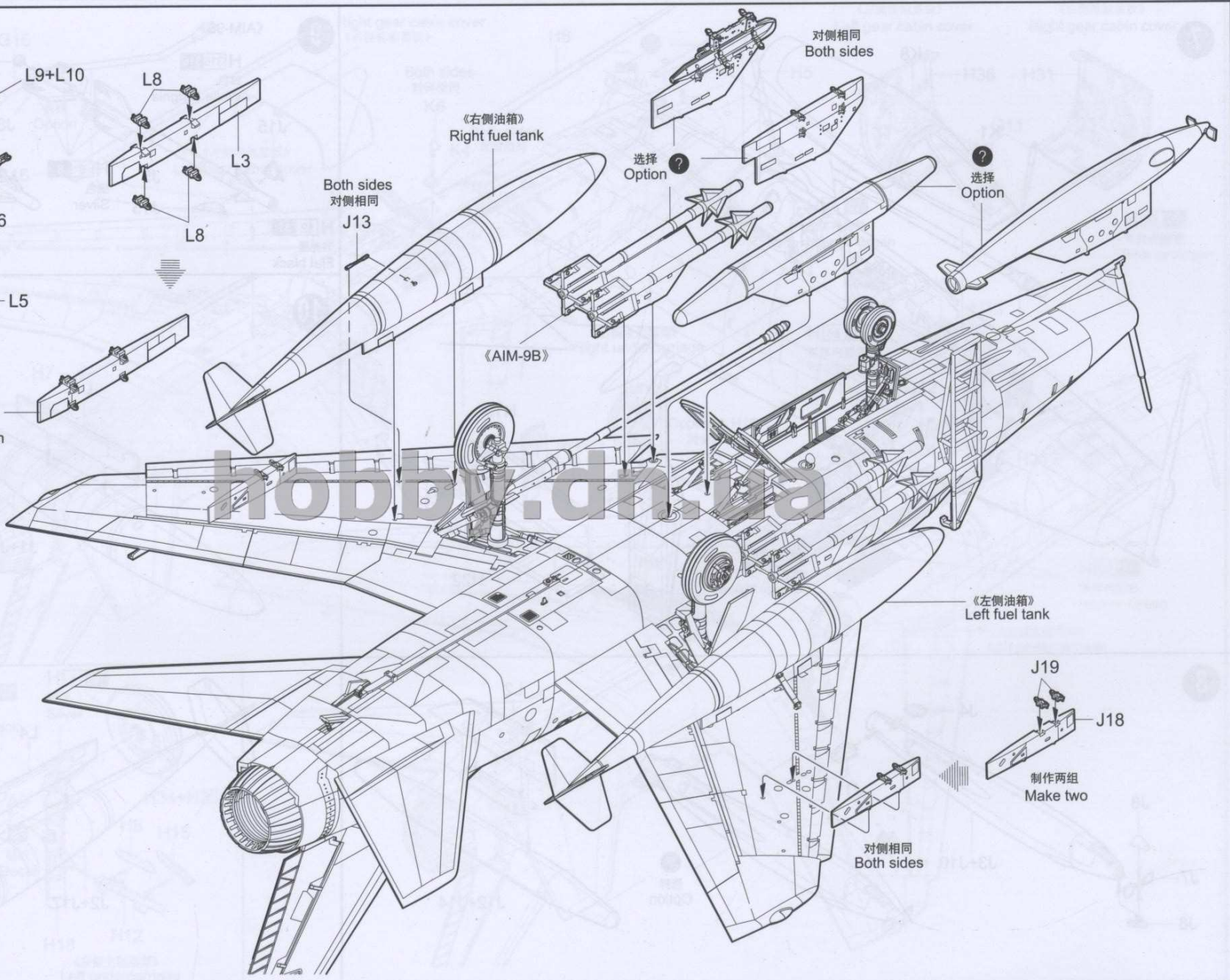
8



11



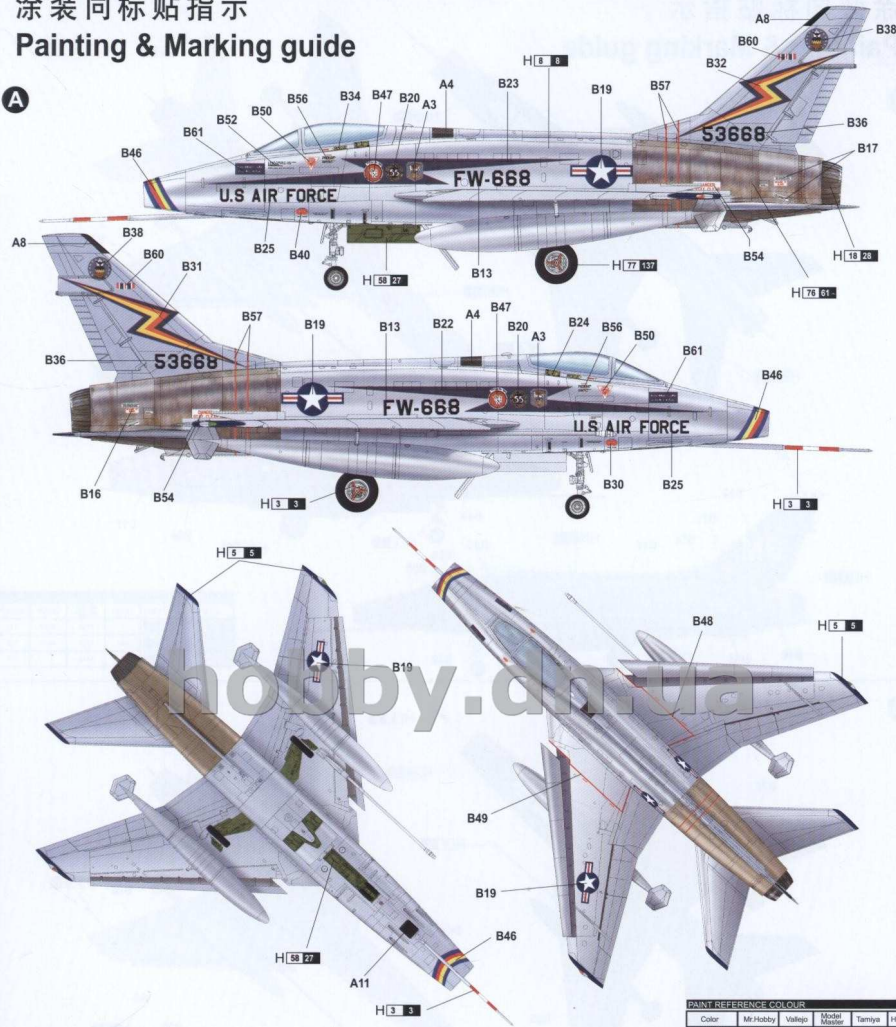
制作两组  
Make two





# 涂装同标贴指示 Painting & Marking guide

**A**



**B**



PAINT REFERENCE COLOUR					
Color	Mr.Hobby	Valjejo	Model Master	Tamiya	Humbrol
White	H[18] 3	997	1548	X11	11
Light grey	H[18] 2	-	-	-	-
Dark grey	H[18] 20	-	-	-	-
Blue	H[18] 21	983	1756	X10	53
Black	H[18] 22	894	1402	-	-
Red	H[18] 23	923	1514	X8	89
Yellow	H[18] 24	908	1503	X7	19
Green	H[18] 25	899	1772	X3	15

H[ ] AQUEOUS HOBBY COLOR ■ Mr. COLOR

# 涂装同标贴指示 Painting & Marking guide

C



D



H[3] AQUEOUS HOBBY COLOR ■ Mr. COLOR

02839 1/48 F-100D Super Sabre