

1/144 SCALE

ITEM NO.: 03914

# French Rafale M

## 法国“阵风”M战斗机



### READ BEFORE ASSEMBLY:

- Study and understand these instructions thoroughly before beginning assembly
- When needed, remove photo-etch parts carefully using a modeling knife or photo etch sprue cutter, being careful not to damage or lose small parts.
- Take extra care in handling photo etch parts in order to avoid injury
- Apply instant cement sparingly to photo etch parts where instructed
- Tools recommended(not included in kit):Plastic and instant cements, sprue cutters,long nose pliers,modeling knife, small files, tweezers, pin vise & scissors. Soft cloth and sandpaper will also assist in construction.
- Glue and paint are not included in the kit. Use plastic cement and hobby paints only. Color guide for purchasing paint is included in the kit.

### 装配之前仔细阅读

- 小心用模型锉刀挫平所有零件表面的注射浇口。
- 小心用刀片切下蚀刻片零件，不要遗失小零件。
- 用强快干胶水粘合蚀刻片零件和金属轴。过量快干胶水使用可能导致可动零件会粘住，小心涂胶。
- 取蚀刻片时应特别注意安全，防止利边划伤手指。
- 某些零件表面需贴水上贴纸，请选择在装配的同时进行。
- 推荐模型工具(自备)：胶水，水口剪刀，长咀钳，刀片，锉刀，镊子，钳，钻，剪刀，瞬间快干胶。
- 软布同砂纸同时也应该是必备工具。
- 请使用塑料胶水和油漆，模型内不含。



配重  
Weight



使用强力胶  
(Epoxy) glue



钻孔  
Make hole



切除  
Cut / Remove



贴纸  
Decal



锉平  
File / Sand



选择  
Option



不涂胶水  
No cement



弯曲  
Bend

### 水贴纸的使用:

- 1.从水贴上剪下印花;
- 2.将印花放入温水中浸10秒，然后放在干净布上。
- 3.拿着印花纸板将印花移到模型上;
- 4.手指蘸水将印花移到适当的位置;
- 5.用软布轻压印花直至水干，气泡消失

### DECAL APPLICATION

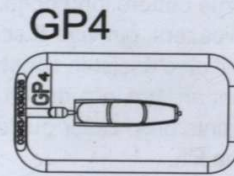
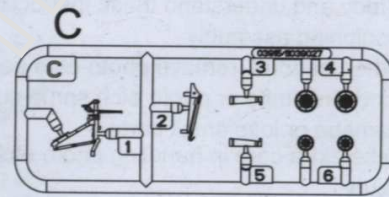
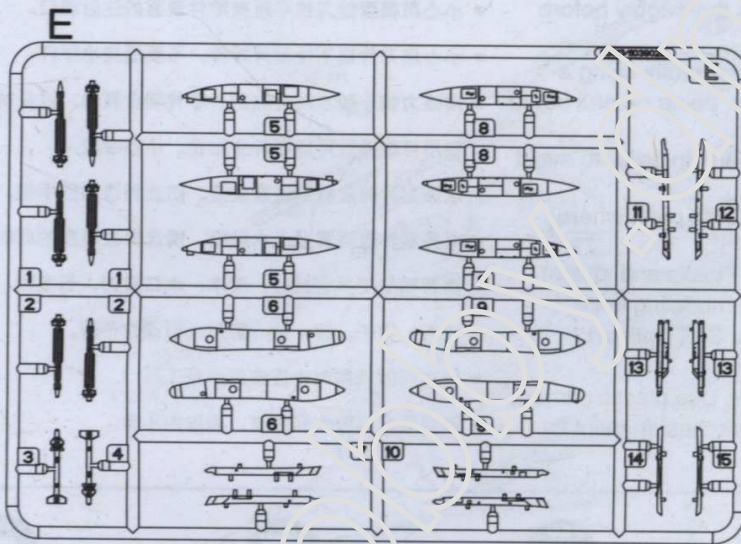
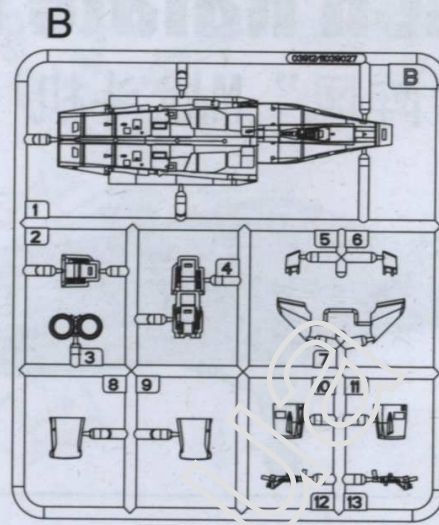
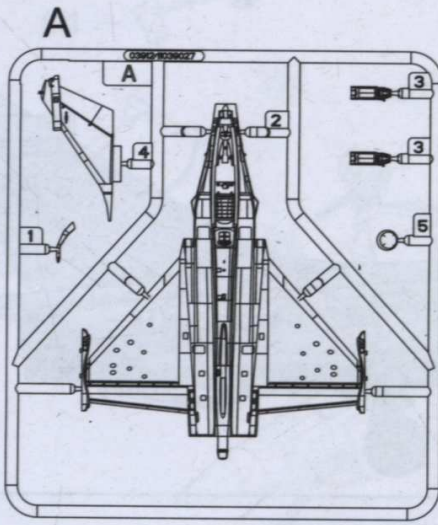
- 1.Cut decals from sheet as needed
- 2.Dip the decal in warm water for about 10 seconds and then place on soft clean cloth.
- 3.Hold the decal backing sheet edge and gently slide the decal onto the model in its proper position.

- 4.While still wet,decal can be adjusted for better fit on model by dampening it gently with your finger.
- 5.When placed in the proper position,gently press decal down with a soft cloth until excess water and air bubbles are gone.
- 6.Allow decal to dry completely before handling model

03914

1

部品图  
Parts

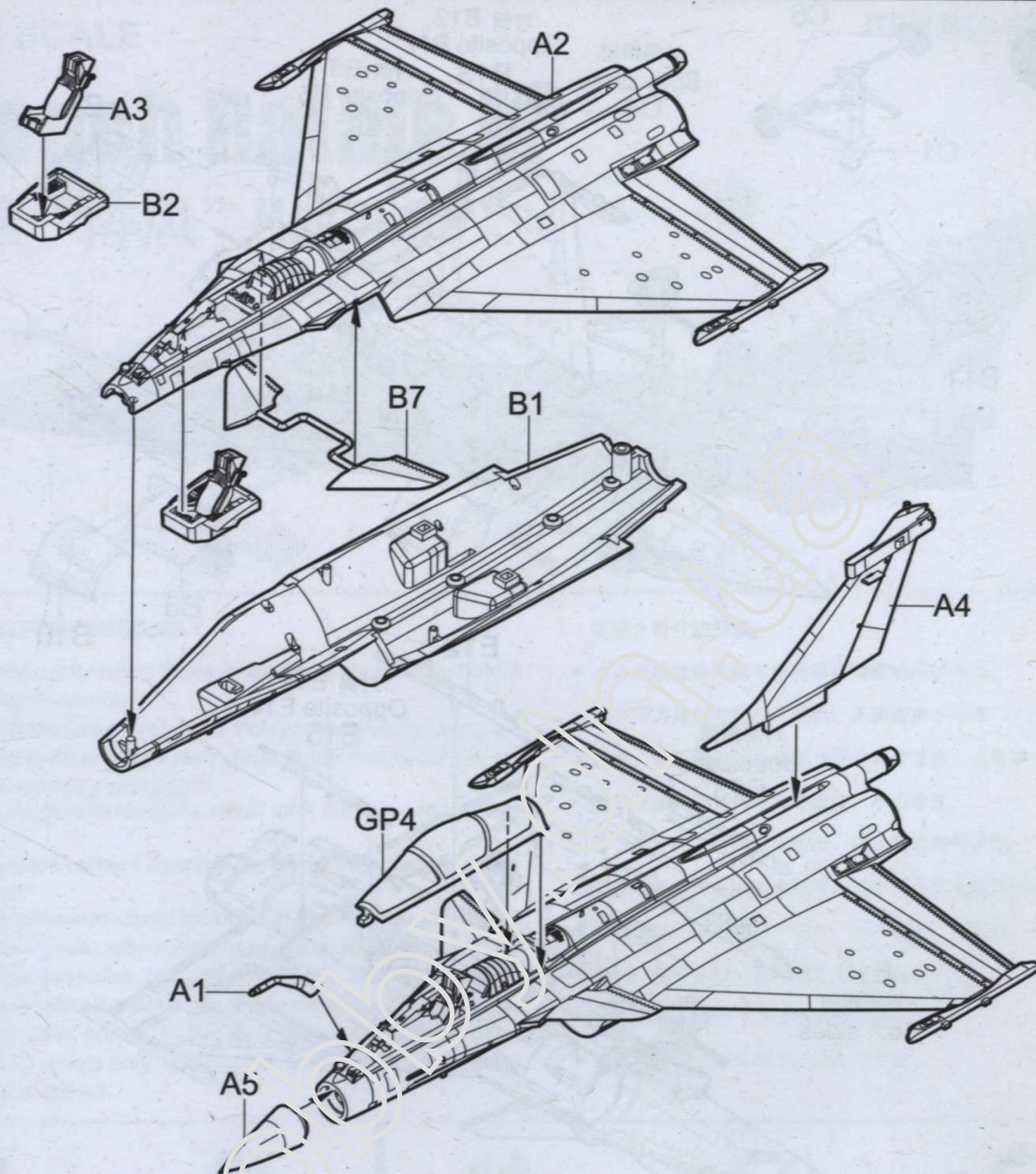


《水贴》  
Decal

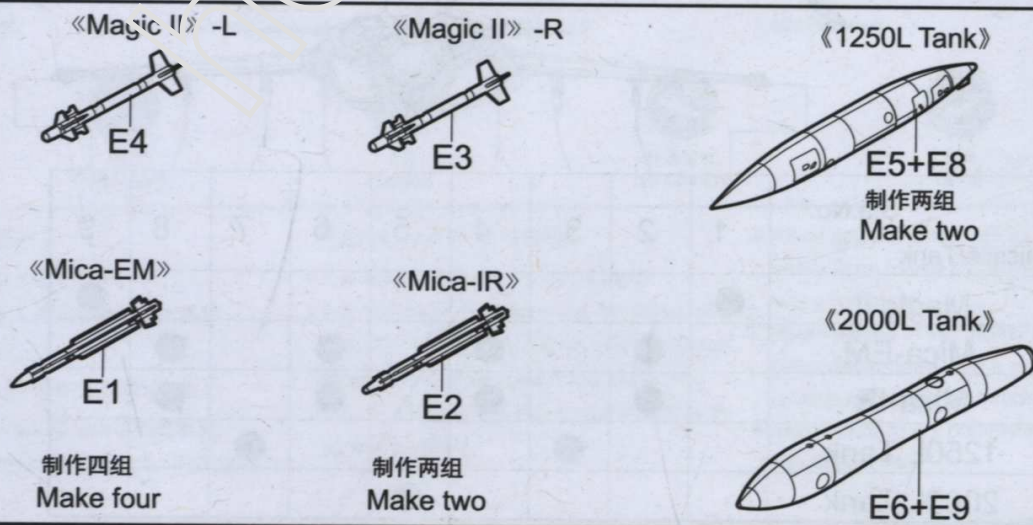


不用的部件: B4 E7 E11  
Unused parts

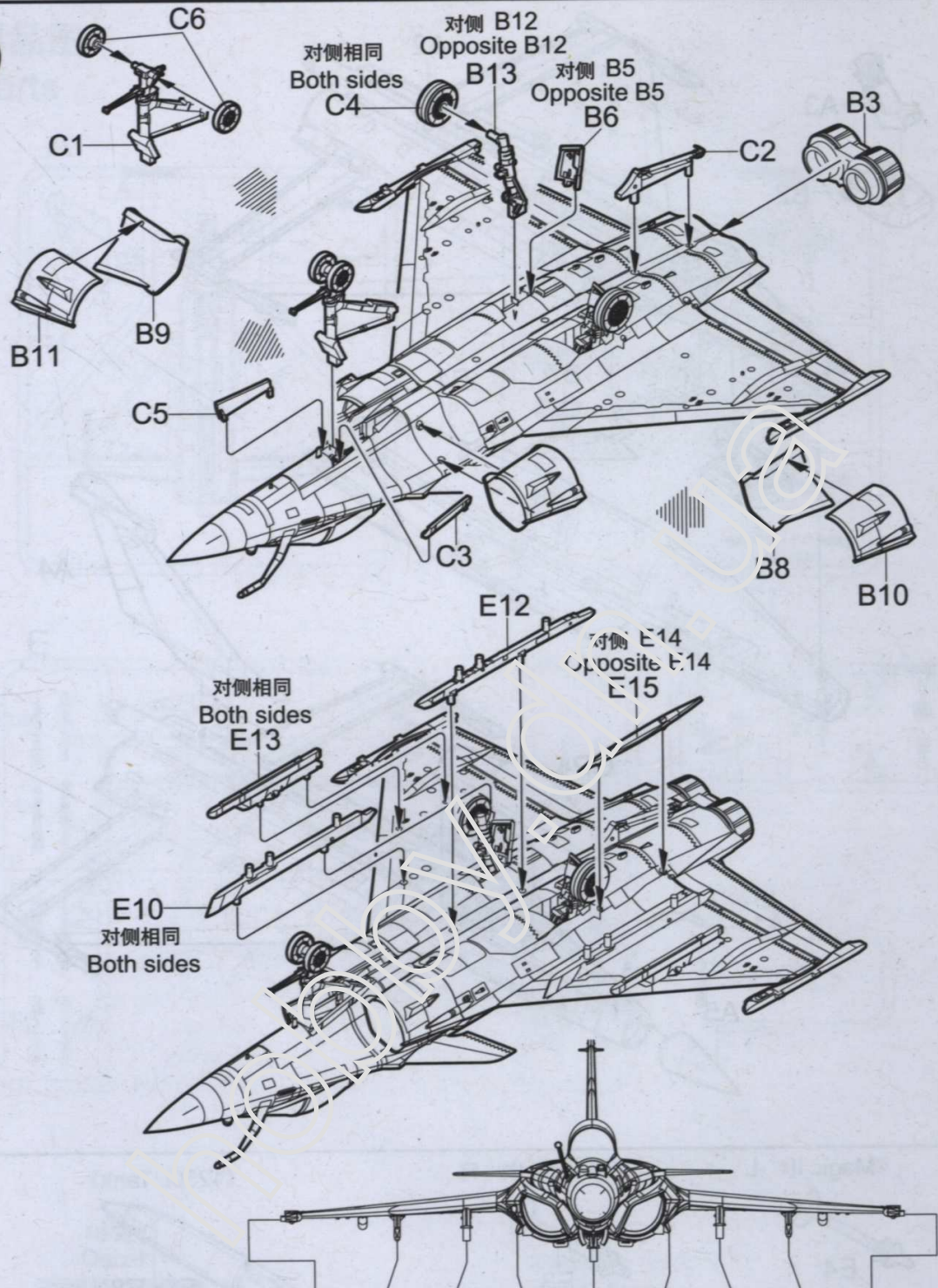
1



2



3

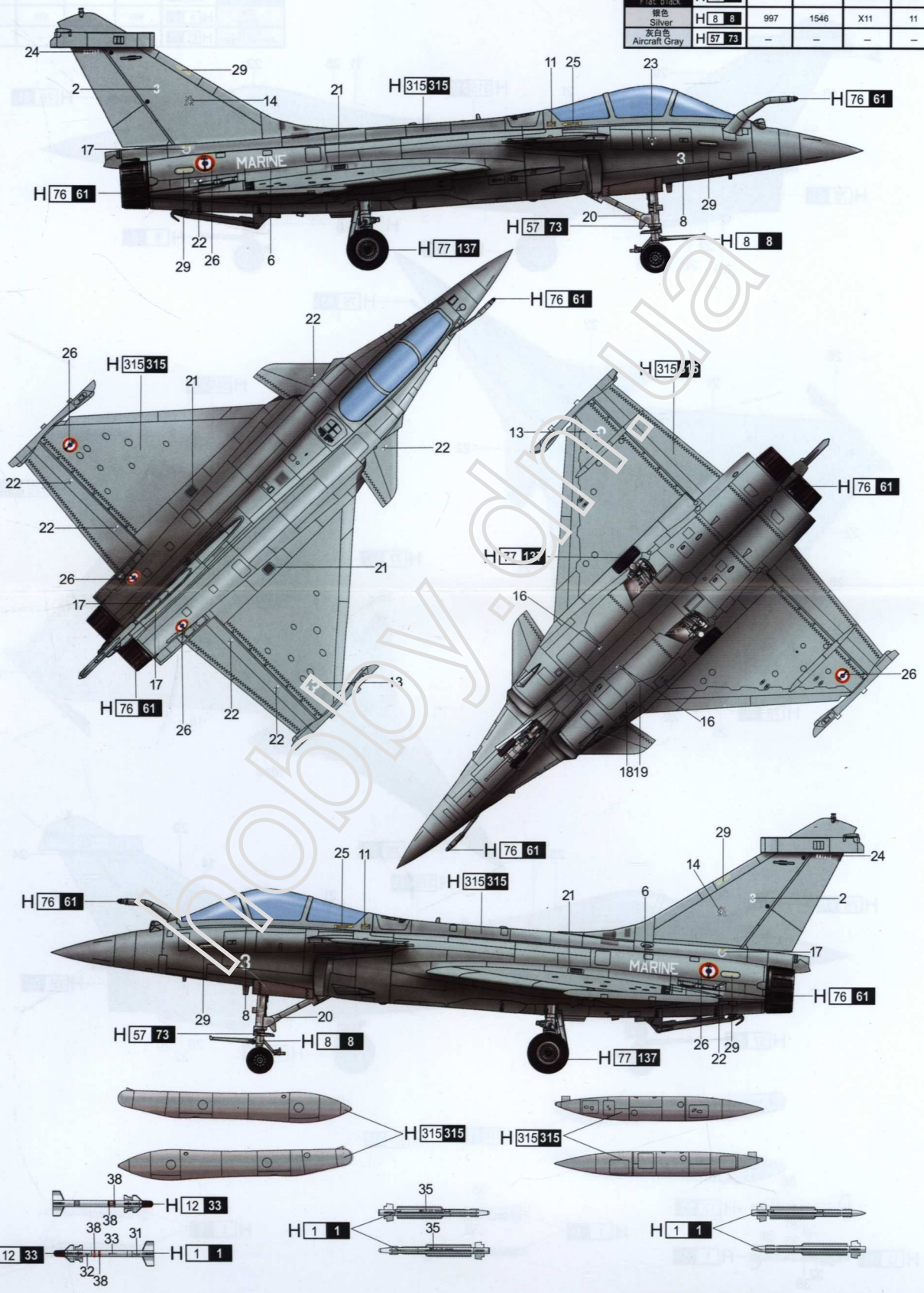


Sta.No.	1	2	3	4	5	6	7	8	9
Missile/Tank									
Magic II	●								●
Mica-EM		●		●		●		●	
Mica-IR		●		●		●		●	
1250L Tank			●				●		
2000L Tank					●				

涂装同标贴指示  
Painting & Marking guide

PAINT REFERENCE COLOUR					
Color	Mr.Hobby	Vallejo	Model Master	Tamiya	Humbrol
灰色 Light Gray	H 315 315	71050	4763	—	129
白色 White	H 1 1	71001	1745	X2	22
烧铁色 Burnt Iron	H 76 61	863	1795	X10	53
油黑色 Tire Black	H 77 137	950	1749	XF1	33
纯黑色 Flat Black	H 12 33	—	—	X14	—
银色 Silver	H 8 8	997	1546	X11	11
灰白色 Aircraft Gray	H 57 73	—	—	—	—

A



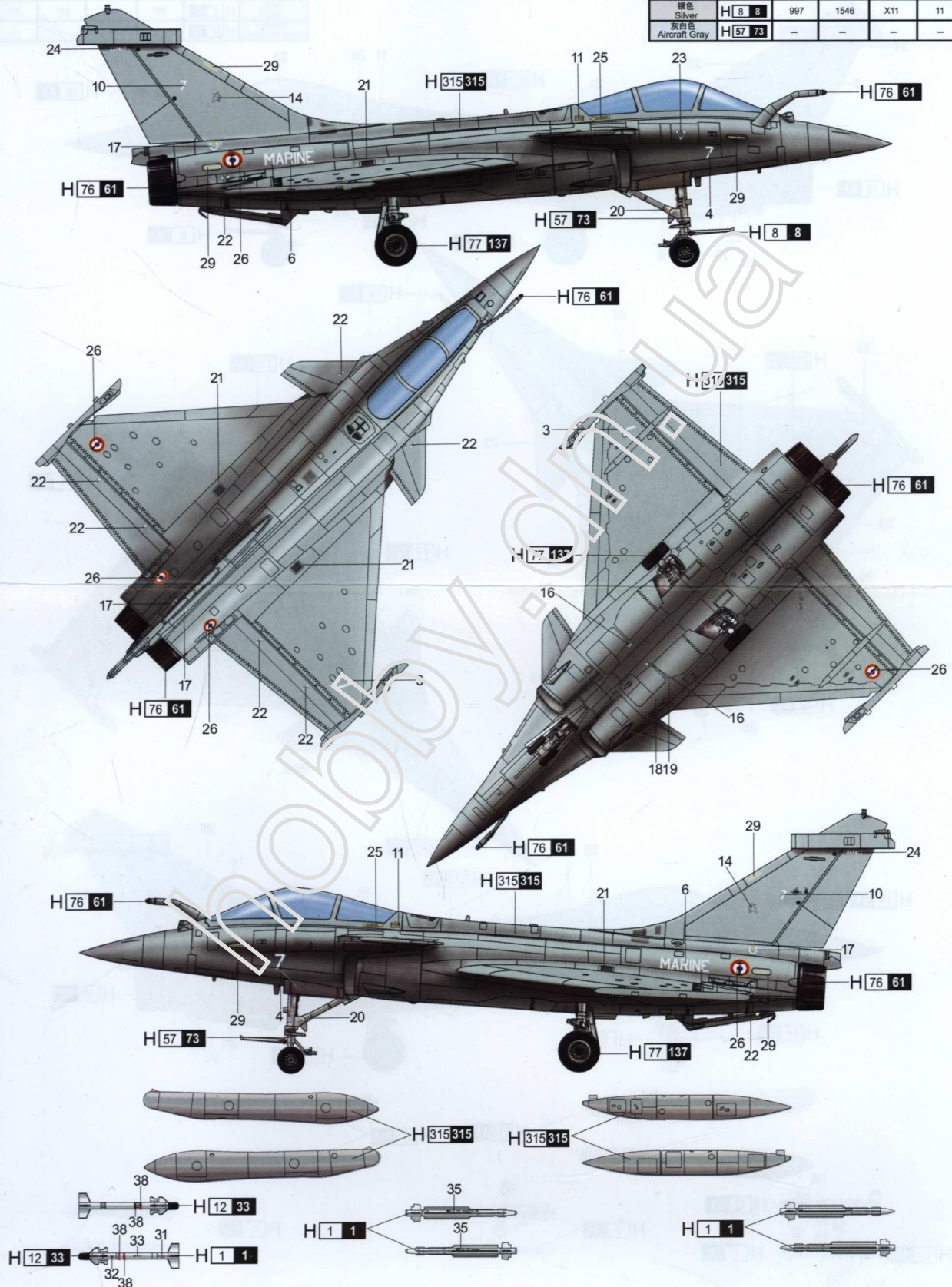
H X AQUEOUS HOBBY COLOR    Mr. COLOR

A

涂装同标贴指示  
Painting & Marking guide

B

PAINT REFERENCE COLOUR					
Color	Mr.Hobby	Vallejo	Model Master	Tamiya	Humbrol
灰色 Lighty Gull	H 315 315	71050	4763	—	129
白色 White	H 1 1	71001	1745	X2	22
烧铁色 Burnt Iron	H 76 61	863	1795	X10	53
轮胎色 Tire Black	H 77 137	950	1749	XF1	33
消光黑 Flat black	H 12 33	—	—	X14	—
银色 Silver	H 8 8	997	1546	X11	11
灰白色 Aircraft Gray	H 57 73	—	—	—	—



H X AQUEOUS HOBBY COLOR    Mr. COLOR