

意大利PUMA6×6轮式装甲车

Italian PUMA 6×6

READ BEFORE ASSEMBLY:

- Study and understand these instructions thoroughly before beginning assembly
- When needed, remove photo-etch parts carefully using a modeling knife or photo etch sprue cutter, being careful not to damage or lose small parts.
- Take extra care in handling photo etch parts in order to avoid injury
- Apply instant cement sparingly to photo etch parts where instructed
- Tools recommended(not included in kit):Plastic and instant cements, sprue cutters,long nose pliers,modeling knife, small files, tweezers, pin vise & scissors. Soft cloth and sandpaper will also assist in construction.
- Glue and paint are not included in the kit. Use plastic cement and hobby paints only. Color guide for purchasing paint is included in the kit.

装配之前仔细阅读

- 小心用模型锉刀锉平所有零件表面的注射浇口。
- 小心用刀片切下蚀刻片零件，不要遗失小零件。
- 用强力快干胶水粘合蚀刻片零件和金属轴。过量快干胶水使用可能导致可动零件会粘住，小心涂胶。
- 取蚀刻片时应特别注意安全，防止利边划伤手指。
- 某些零件表面需贴水上贴纸，请选择在装配的同时进行。
- 推荐模型工具(自备)：胶水，水口剪刀，长咀钳，刀片，锉刀，镊子，钳，钻，剪刀，瞬间快干胶。
- 软布同砂纸同时也应该是必备工具。
- 请使用塑料胶水和油漆，模型内不含。



配重
Weight



使用强力胶
Cyanocrylate glue



钻孔
Make hole



切除
Cut / Remove



贴纸
Decal



锉平
File / Sand



选择
Option



不涂胶水
No cement



弯曲
Bend

水贴纸的使用:

- 1.从水贴纸上剪下印花;
- 2.将印花放入温水中浸10秒,然后放在干净布上。
- 3.拿着印花纸板将印花移到模型上;
- 4.手指蘸水将印花移到适当的位置;
- 5.用软布轻压印花直至水干,气泡消失

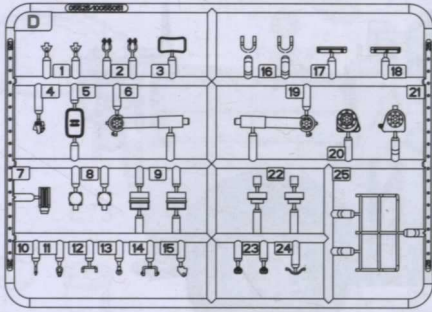
DECAL APPLICATION

- 1.Cut decals from sheet as needed
- 2.Dip the decal in warm water for about 10 seconds and then place on soft clean cloth.
- 3.Hold the decal backing sheet edge and gently slide the decal onto the model in its proper position.

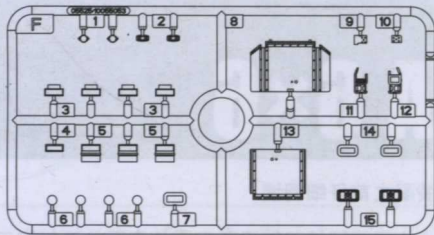
- 4.While still wet,decal can be adjusted for better fit on model by dampening it gently with your finger.
- 5.When placed in the proper position,gently press decal down with a soft cloth until excess water and air bubbles are gone.
- 6.Allow decal to dry completely before handling model

部品图
parts

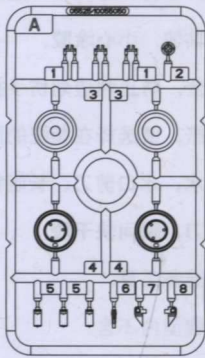
D×2



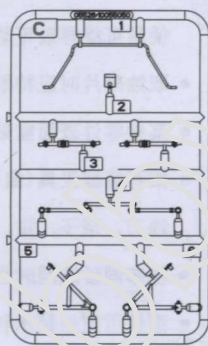
F



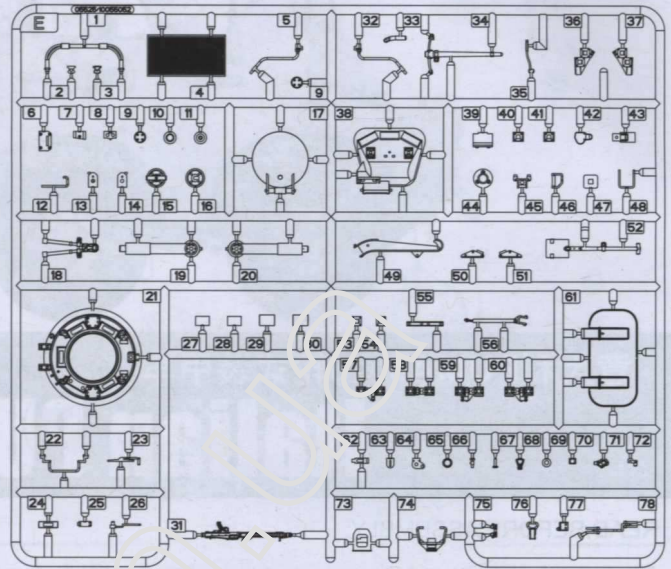
A×3



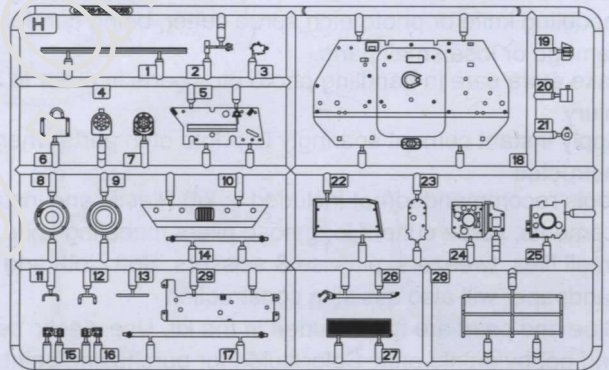
C×3



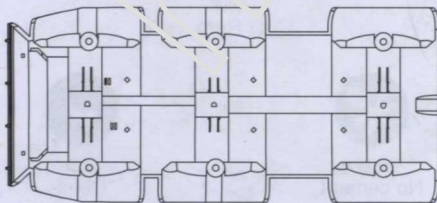
E



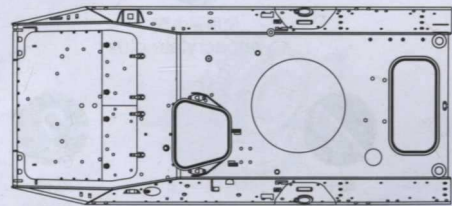
H



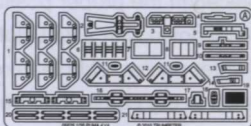
《车面》
Upper hull



《车底》
Lower hull



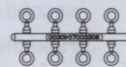
《蚀刻片A》
PE-A



《水贴纸》
Decal



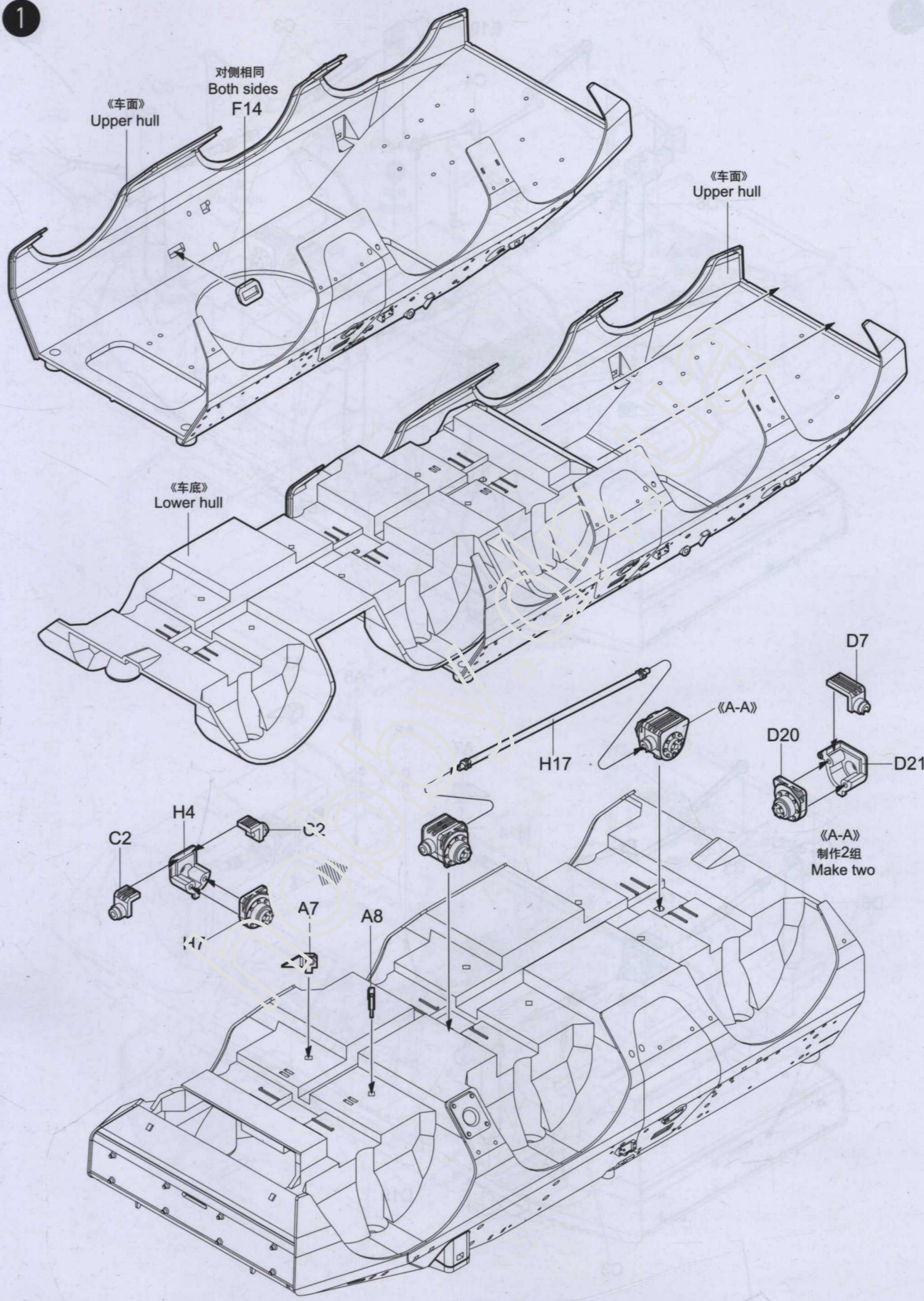
《聚乙烯套》
Poly cap



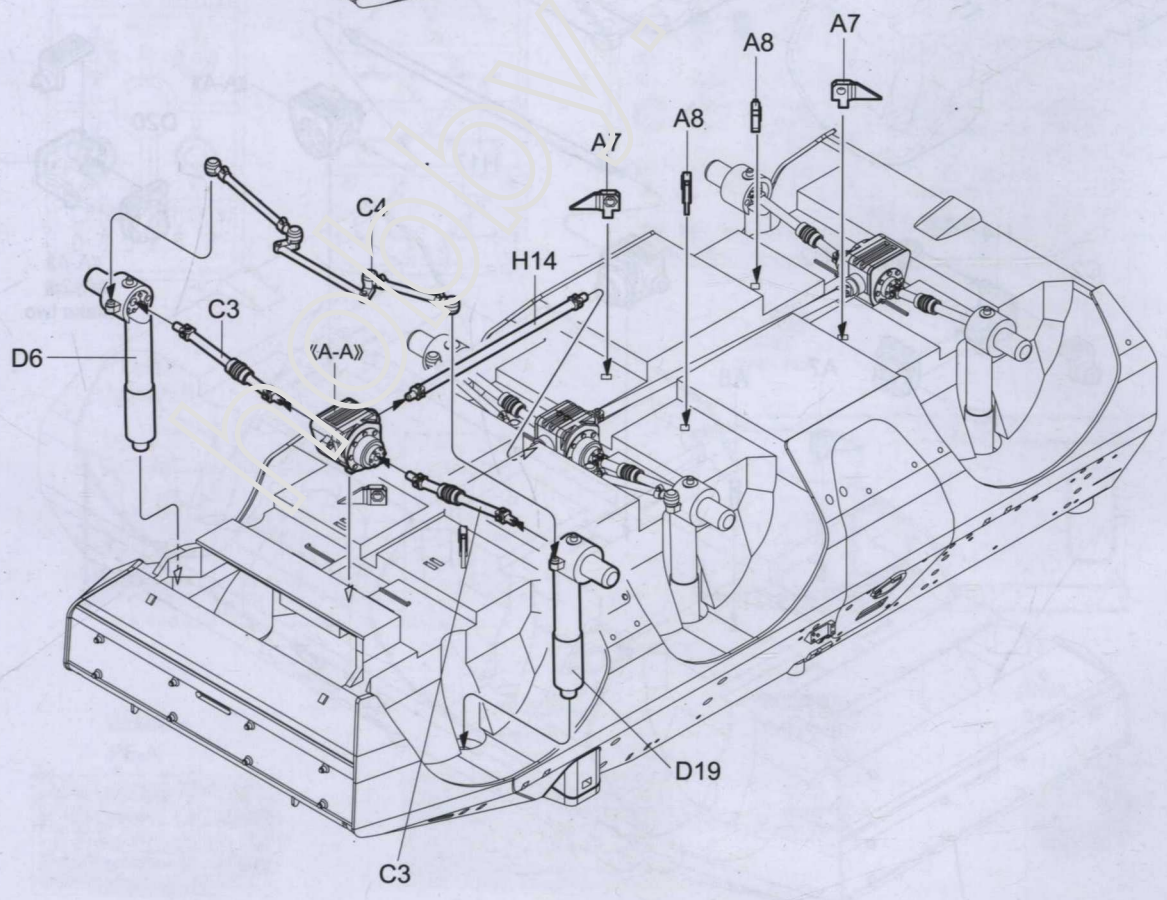
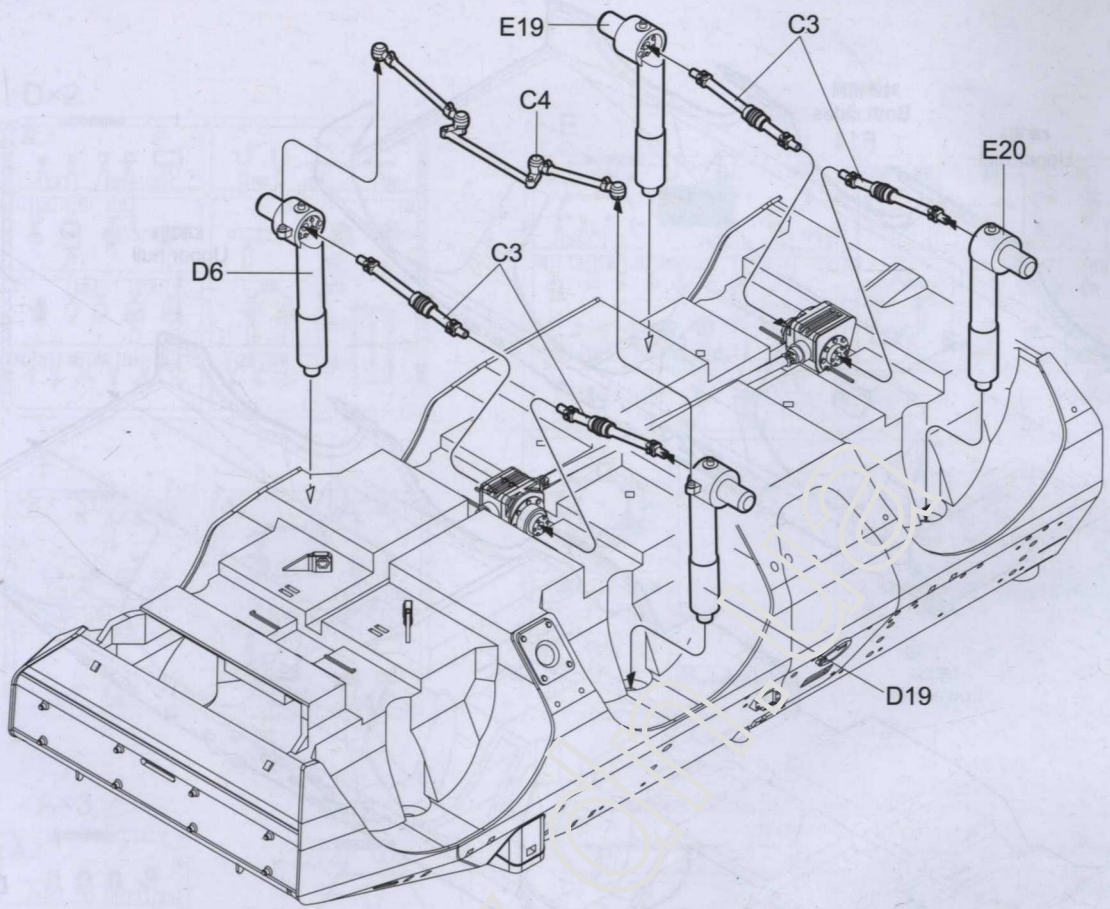
《轮胎》
Tyre ×6



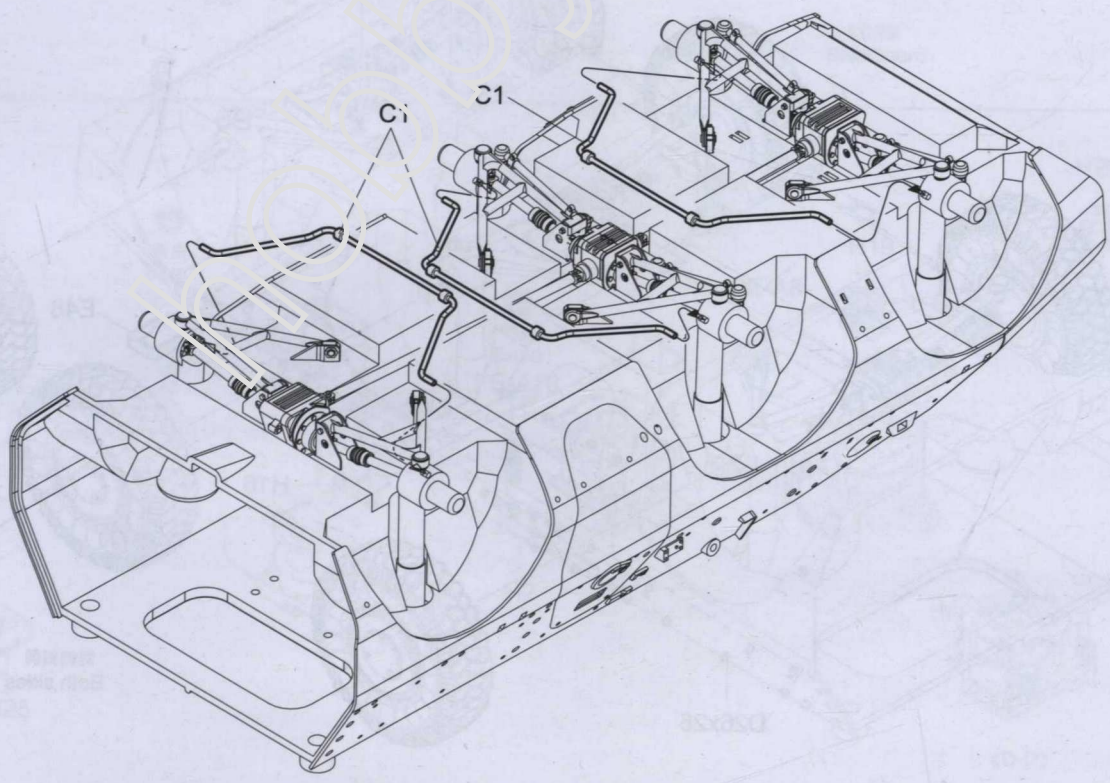
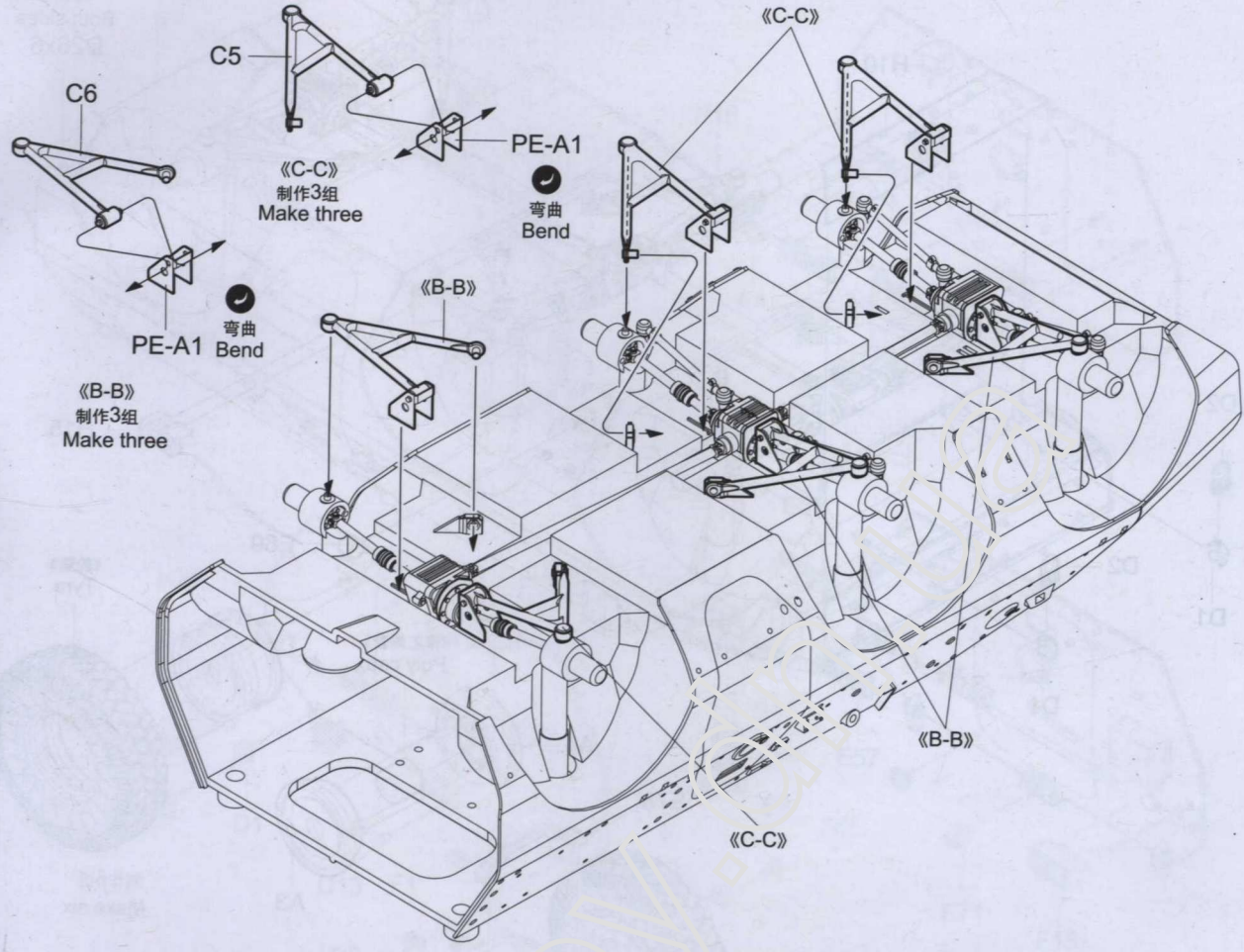
1



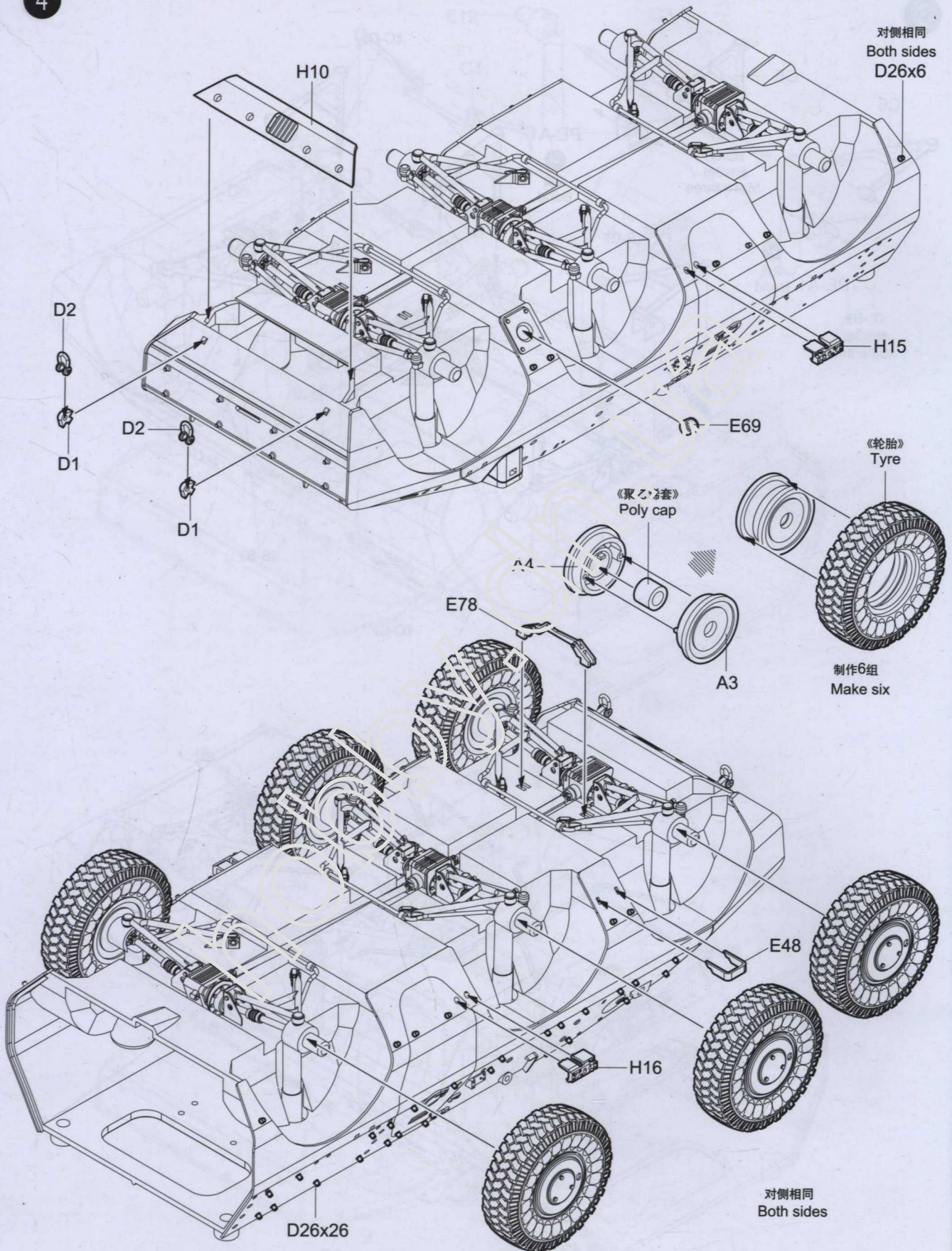
2



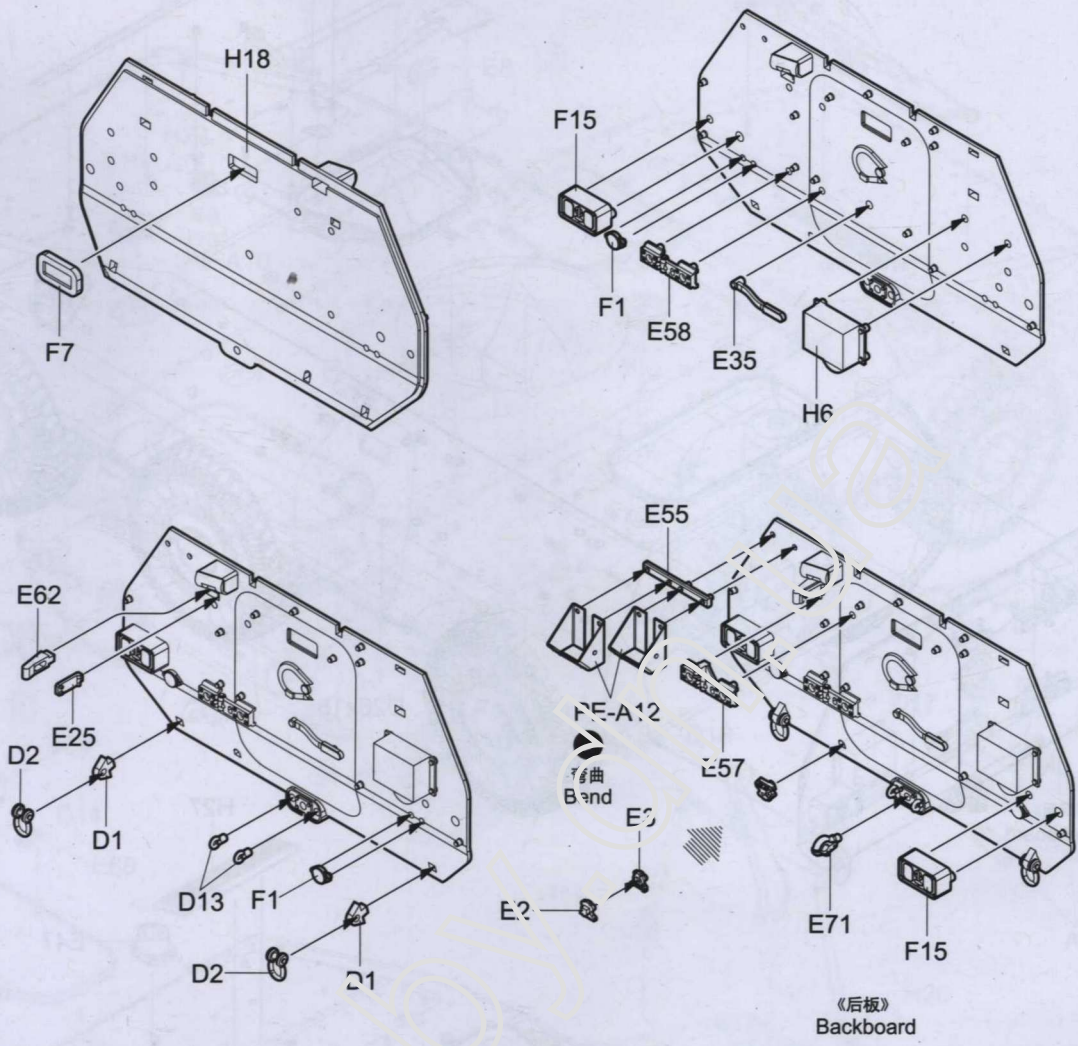
3



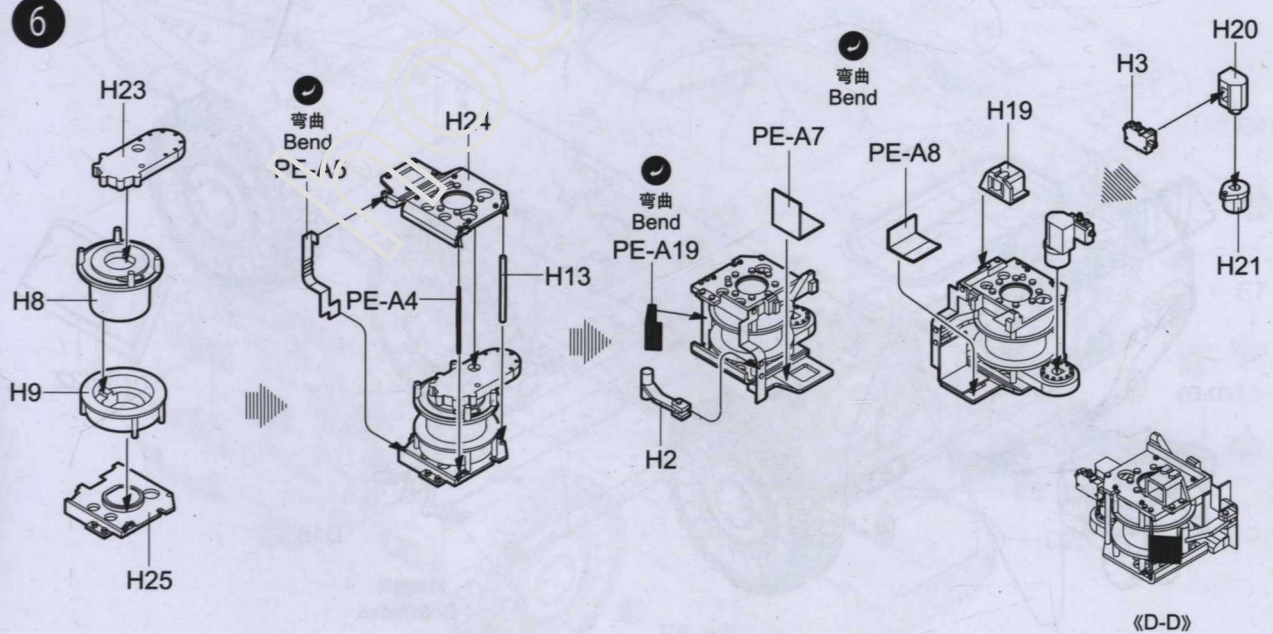
4



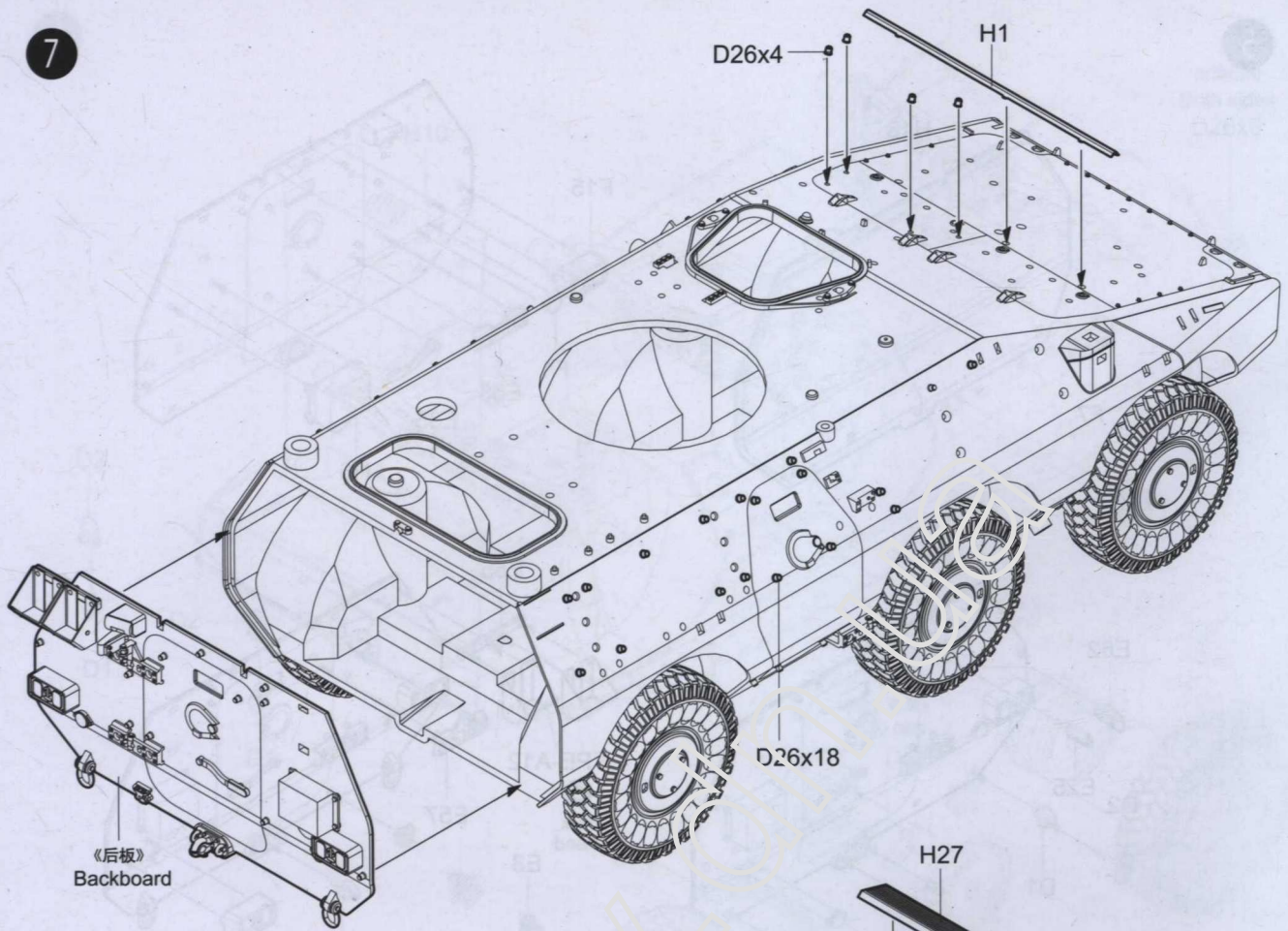
5



6



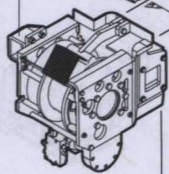
7



《后板》
Backboard

《后板》
Backboard

《D-D》



《D-D》

D26x4

H1

D26x18

H27

E47

H22

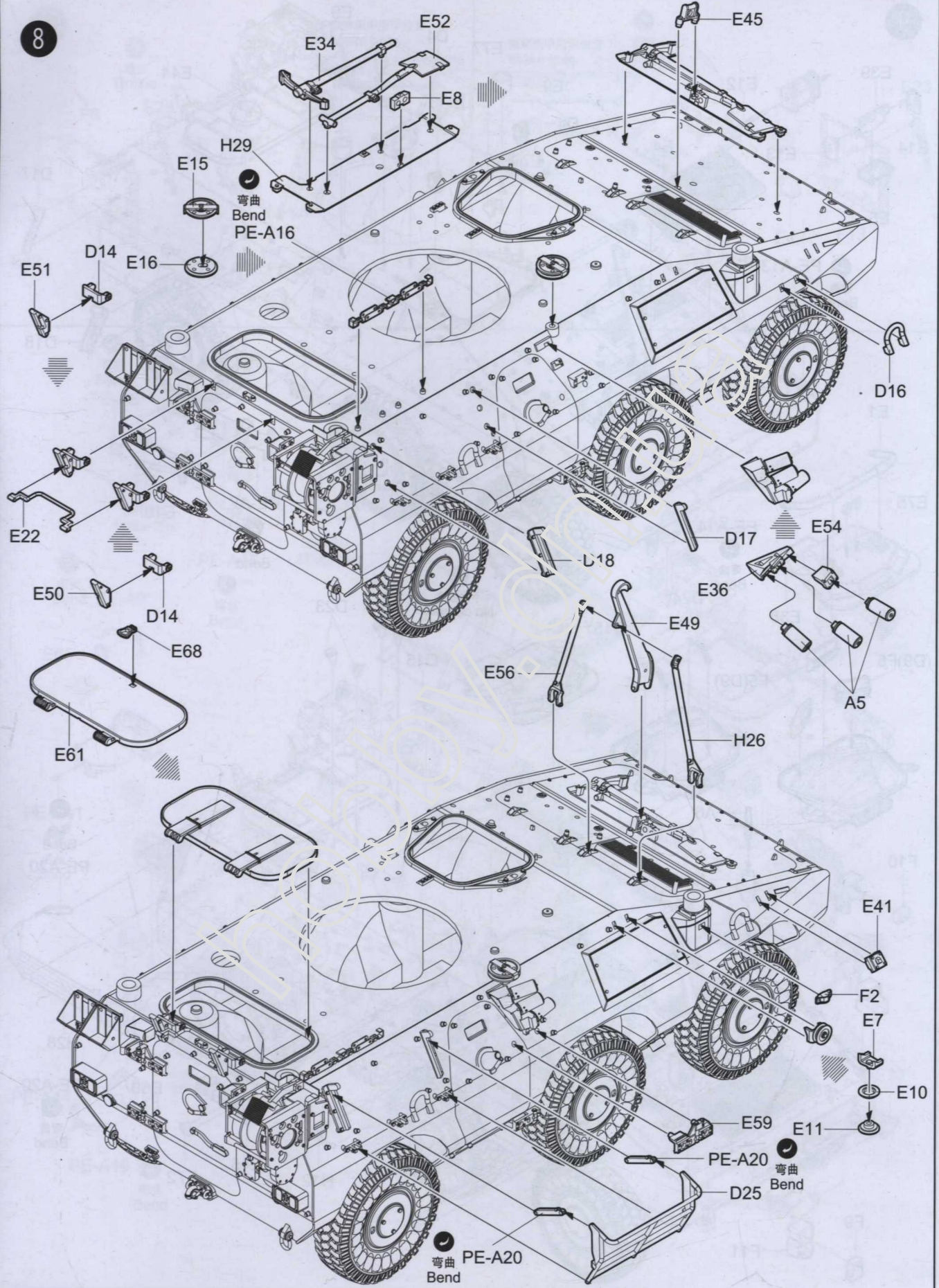
A1

D16

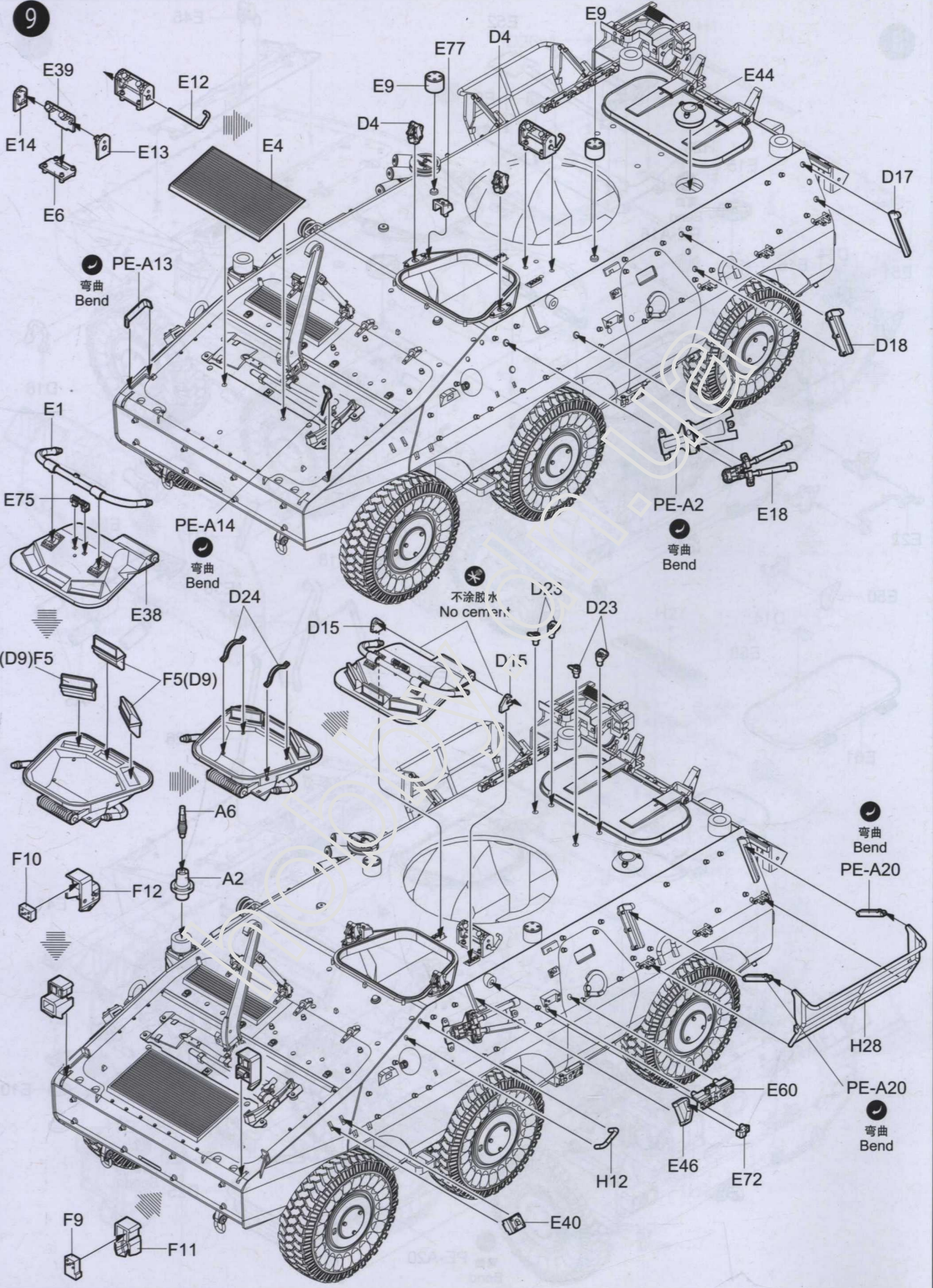
A1

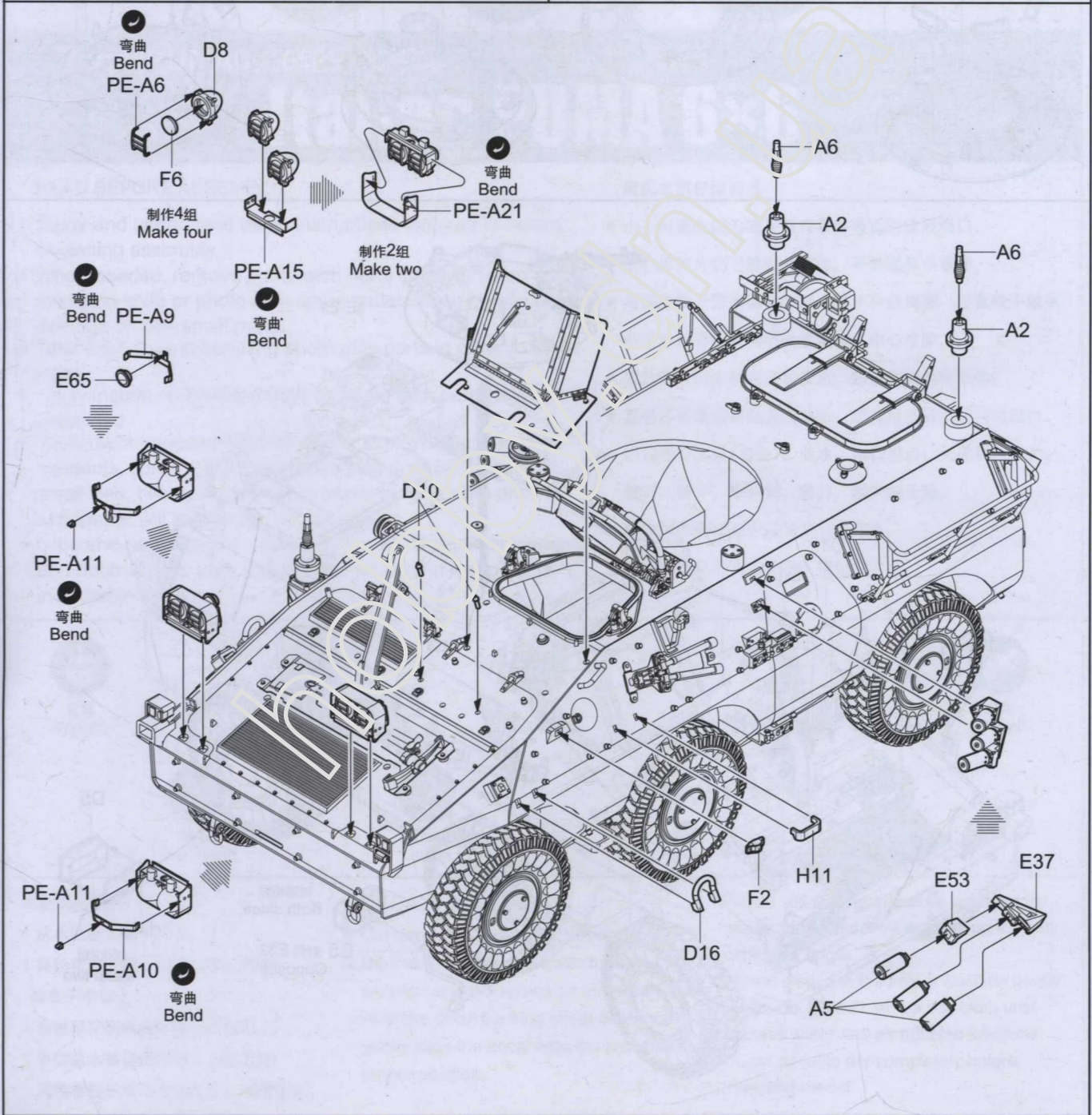
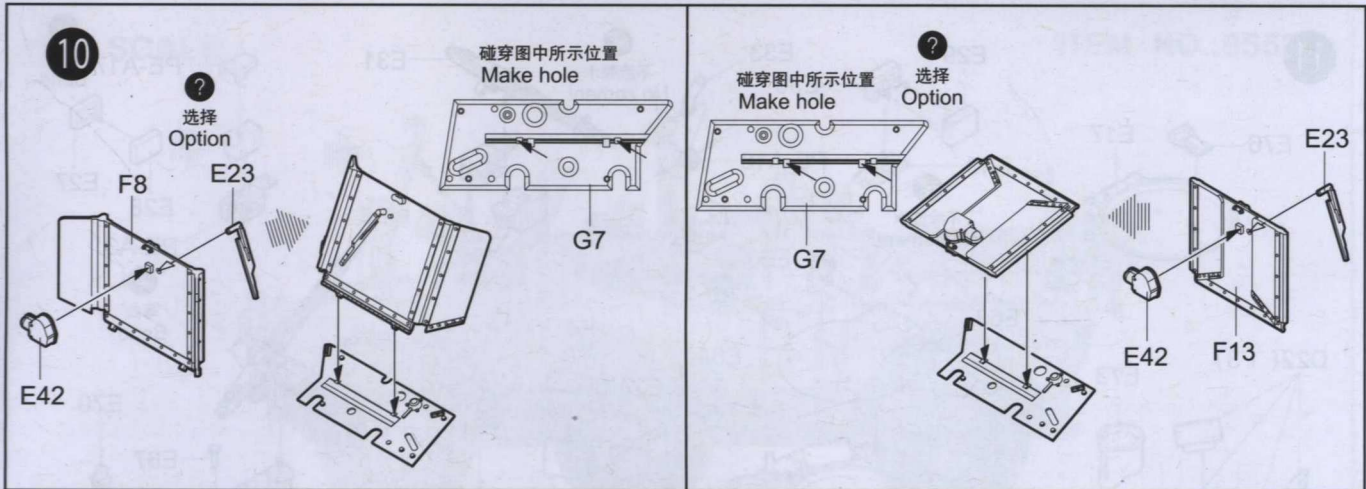
对侧相同
Both sides

8

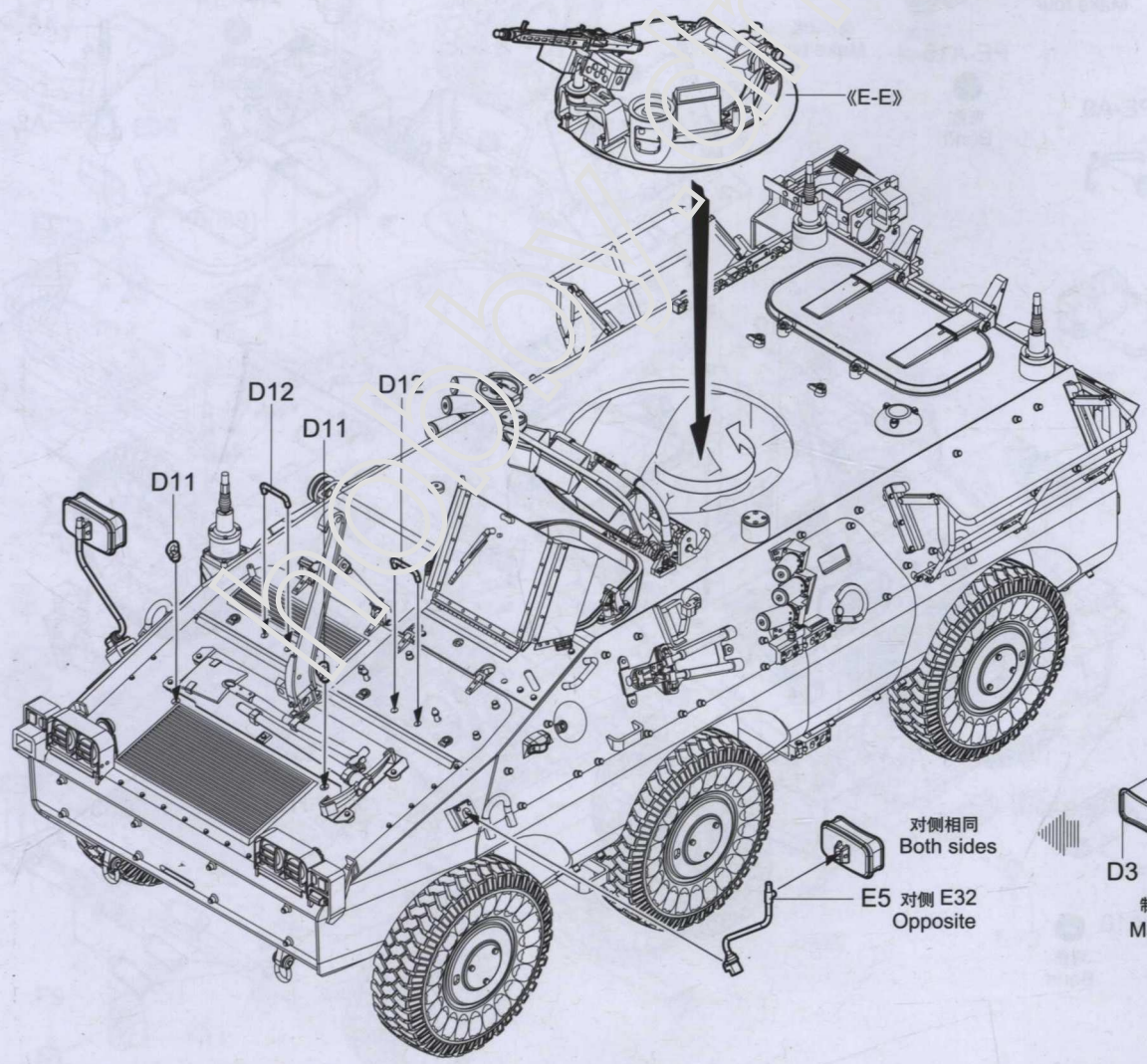
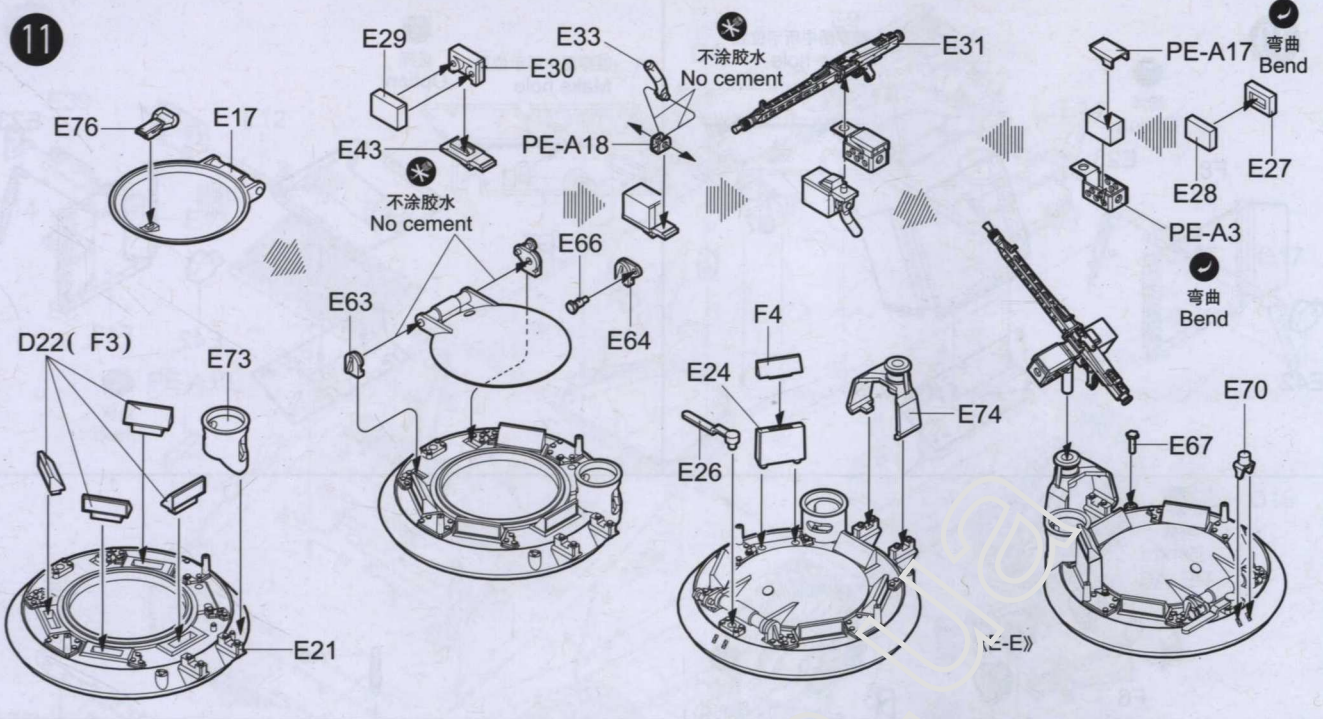


9





11

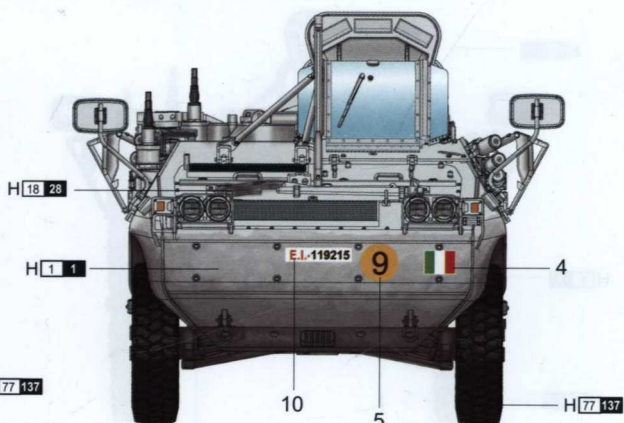
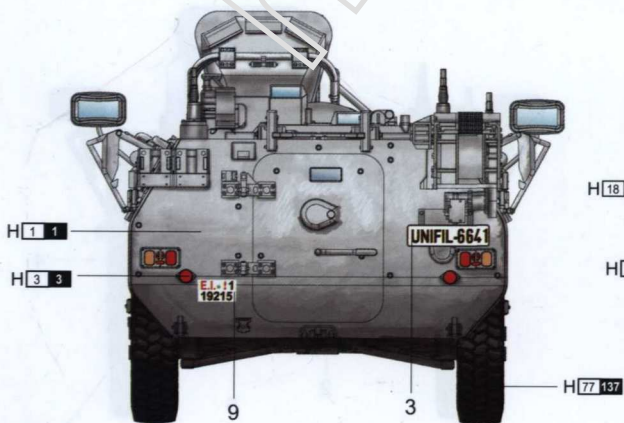
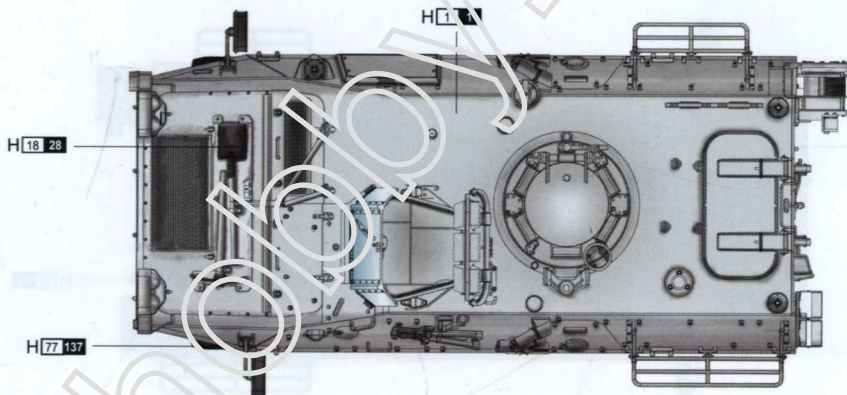
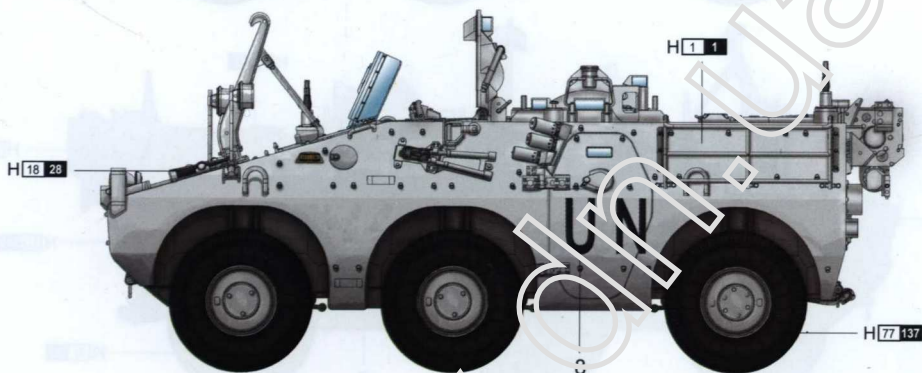
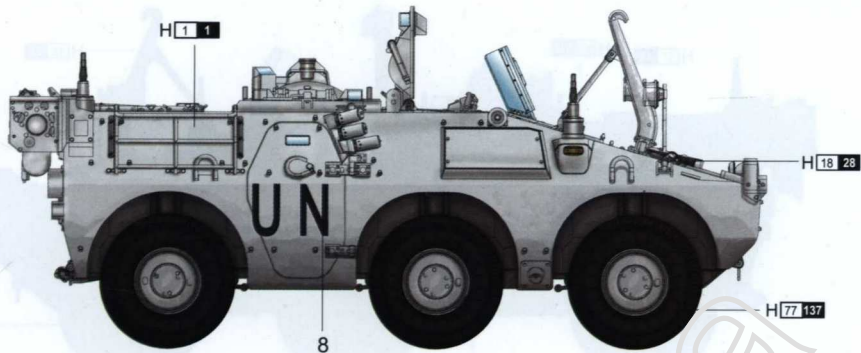


涂装同标贴指示 Painting & Marking guide

A

PAINT REFERENCE COLOUR

Color	Mr.Hobby	Vallejo	Model Master	Tamiya	Humbrol
White 白色	H 1 1	842	1745	X2	22
Tire Black 胎黑色	H 77 137	-	-	-	-
Metal Black 黑铁色	H 18 28	864	1402	-	-
Red 红色	H 3 3	908	1503	X7	19



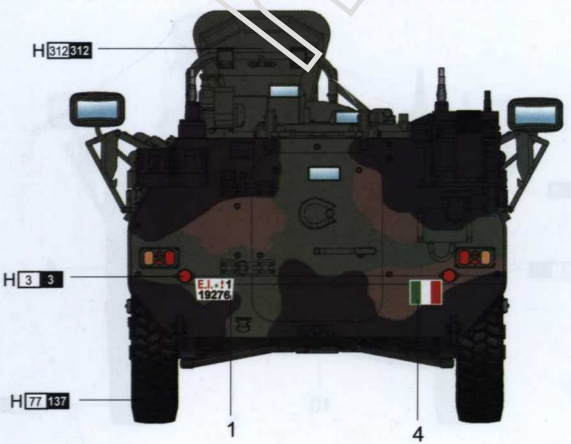
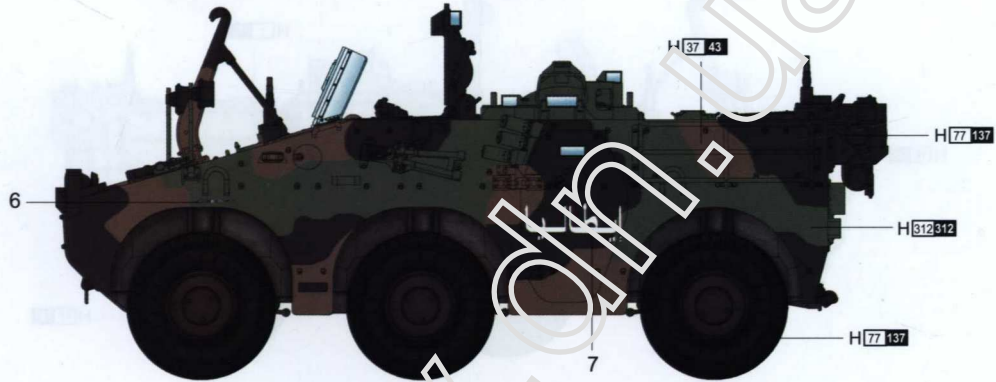
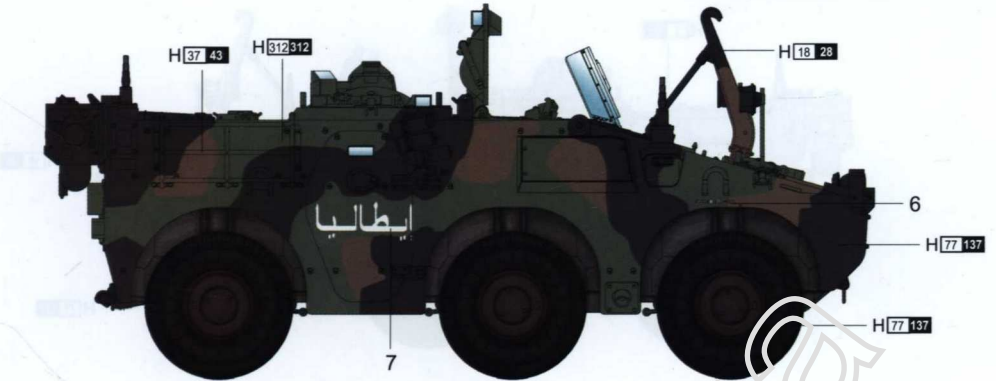
H □ AQUEOUS HOBBY COLOR ■ Mr. COLOR

涂装同标贴指示 Painting & Marking guide

B

PAINT REFERENCE COLOUR

Color	Mr.Hobby	Vallejo	Model Master	Tamiya	Humbrol
Light Green 绿色	H 812 312	-	1713	XF20	117
Tire Black 胎黑色	H 77 137	-	-	-	-
Metal Black 漆黑色	H 18 28	864	1402	-	-
Red 红色	H 3 3	908	1503	X7	19
Wood Brown 木棕色	H 37 43	983	1701	-	186



H AQUEOUS HOBBY COLOR ■ Mr. COLOR