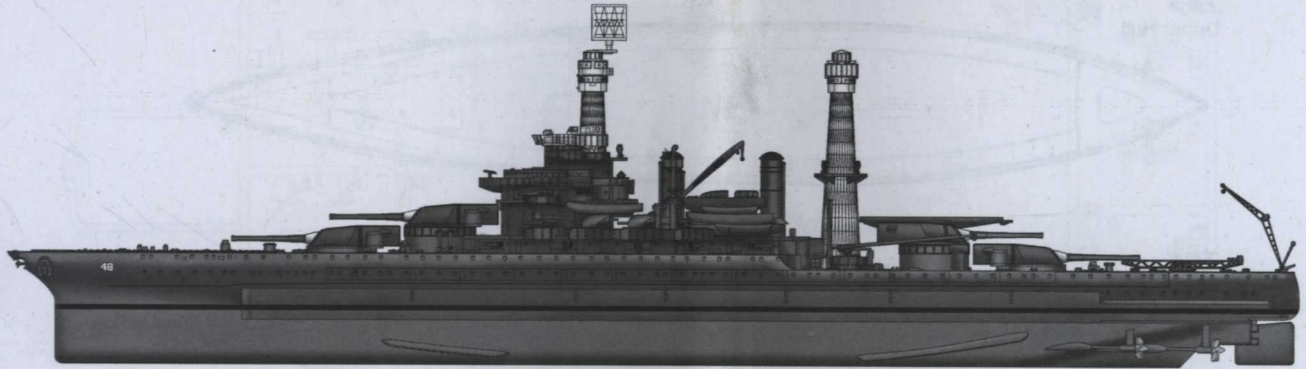


1:700 SCALE

ITEM NO.:05771



# USS West Virginia BB-48 1941

美国海军西弗吉尼亚号BB-48 1941战列舰

### READ BEFORE ASSEMBLY:

- Study and understand these instructions thoroughly before beginning assembly
- When needed, remove photo-etch parts carefully using a modeling knife or photo etch sprue cutter, being careful not to damage or lose small parts.
- Take extra care in handling photo etch parts in order to avoid injury
- Apply instant cement sparingly to photo etch parts where instructed
- Tools recommended(not included in kit):Plastic and instant cements, sprue cutters,long nose pliers,modeling knife, small files, tweezers, pin vise & scissors. Soft cloth and sandpaper will also assist in construction
- Glue and paint are not included in the kit. Use plastic cement and hobby paints only. Color guide for purchasing paint is included in the kit.

### 装配之前仔细阅读

- 小心用模型钝刀锉平所有零件表面的注射浇口。
- 小心用刀片切下蚀刻片零件，不要遗失小零件。
- 用强力快干胶水粘合蚀刻片零件和金属轴。过量快干胶水使用可能导致可动零件会粘住，小心涂胶。
- 取蚀刻片时应特别注意安全，防止利边划伤手指。
- 某些零件表面需贴水贴纸，请选择在装配的同时进行。
- 推荐模型工具(自备)：胶水，水口剪刀，长咀钳，刀片，锉刀，镊子，钳，钻，剪刀，瞬间快干胶。
- 软布同砂纸同时也应该是必备工具。
- 请使用塑料胶水和油漆，模型内不含。



配重  
Weight



使用强力胶  
Cyanacrylate glue



钻孔  
Make hole



切除  
Cut / Remove



贴纸  
Decal



锉平  
File / Sand



选择  
Option



不涂胶水  
No cement



弯曲  
Bend

### 水贴纸的使用:

- 1.从水贴上剪下印花;
- 2.将印花放入温水中浸10秒,然后放在干净布上。
- 3.拿着印花纸板将印花移到模型上;
- 4.手指蘸水将印花移到适当的位置;
- 5.用软布轻压印花直至水干,气泡消失

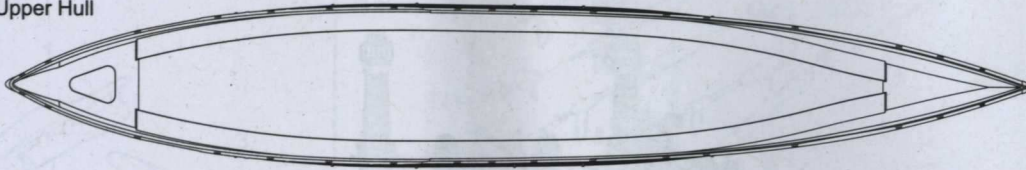
### DECAL APPLICATION

- 1.Cut decals from sheet as needed
- 2.Dip the decal in warm water for about 10 seconds and then place on soft clean cloth.
- 3.Hold the decal backing sheet edge and gently slide the decal onto the model in its proper position.

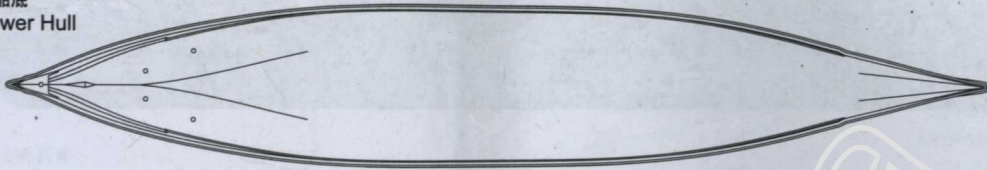
- 4.While still wet,decal can be adjusted for better fit on model by dampening it gently with your finger.
- 5.When placed in the proper position,gently press decal down with a soft cloth until excess water and air bubbles are gone.
- 6.Allow decal to dry completely before handling model

部品图  
Parts

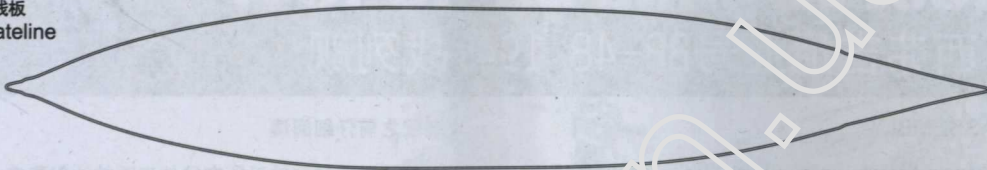
上船体  
Upper Hull



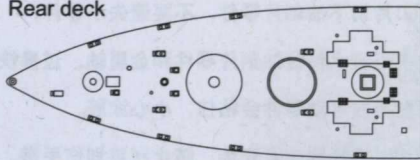
下船底  
Lower Hull



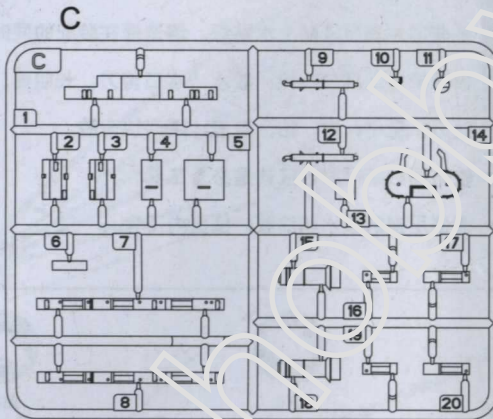
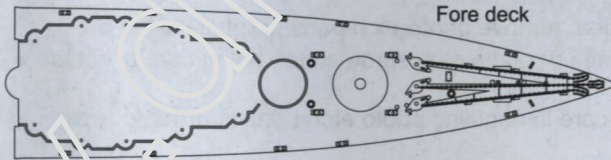
水线板  
Wateline



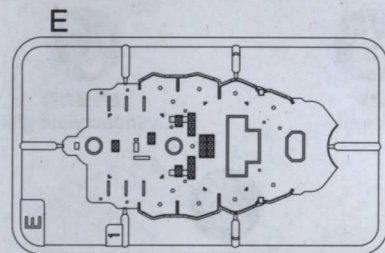
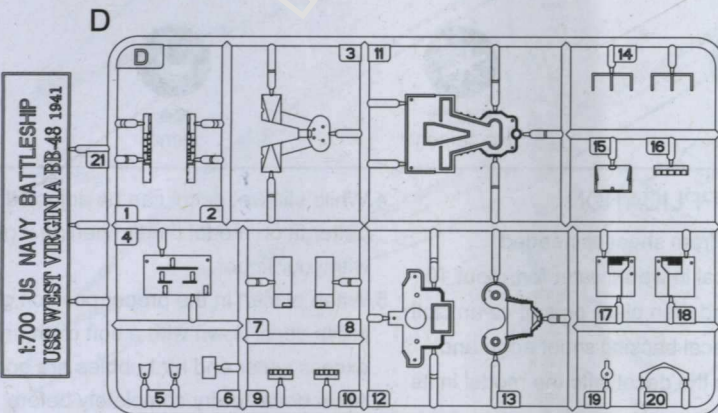
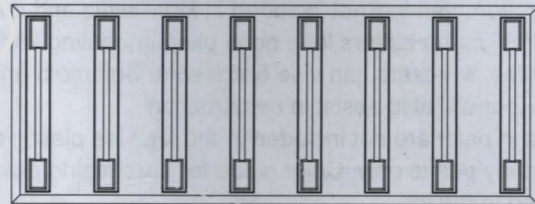
后甲板  
Rear deck



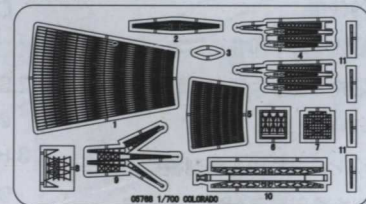
前甲板  
Fore deck

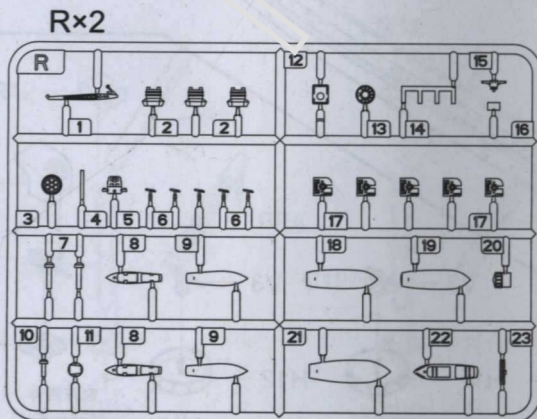
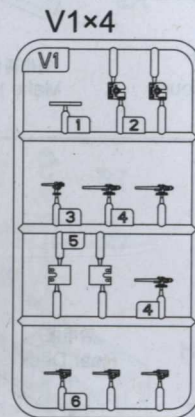
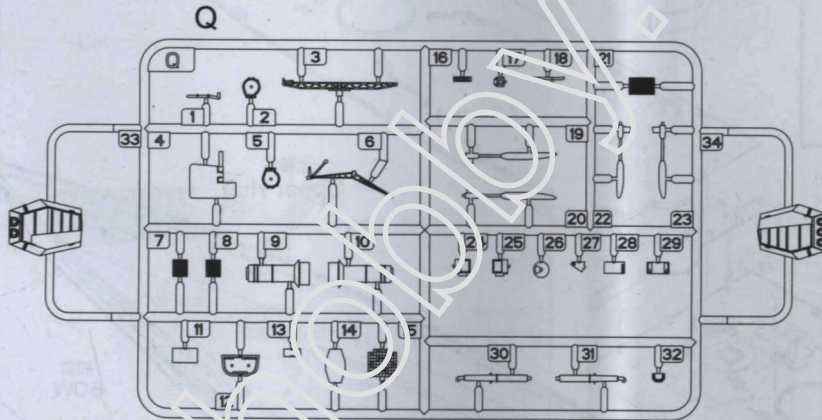
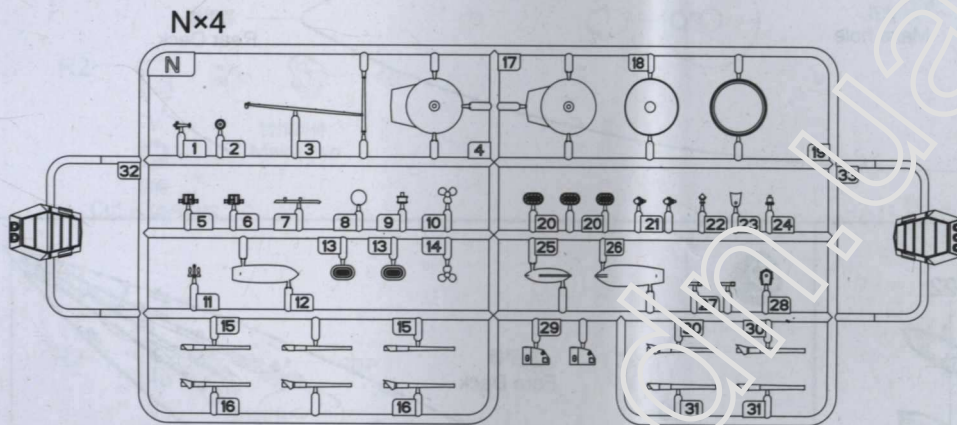
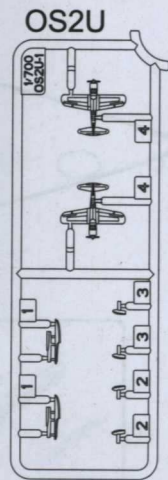
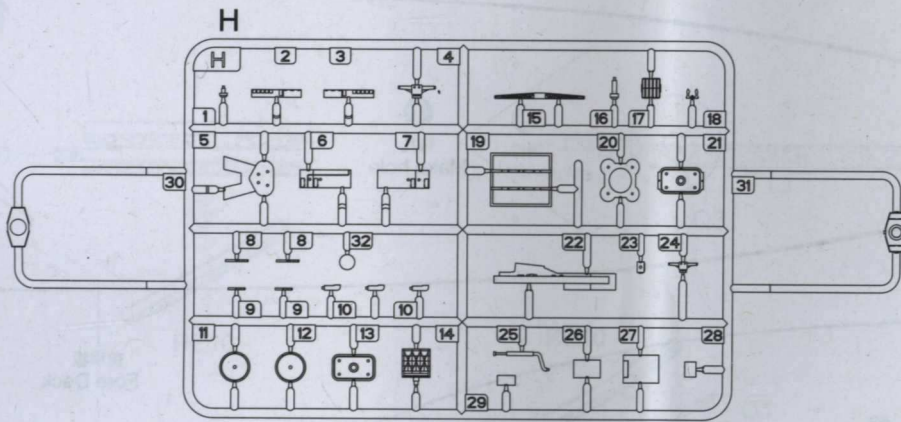


底座 Stand

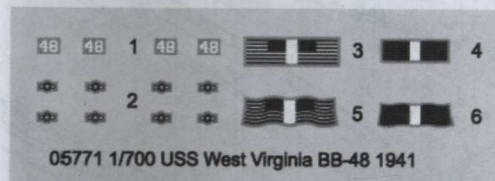


《蚀刻片》PE

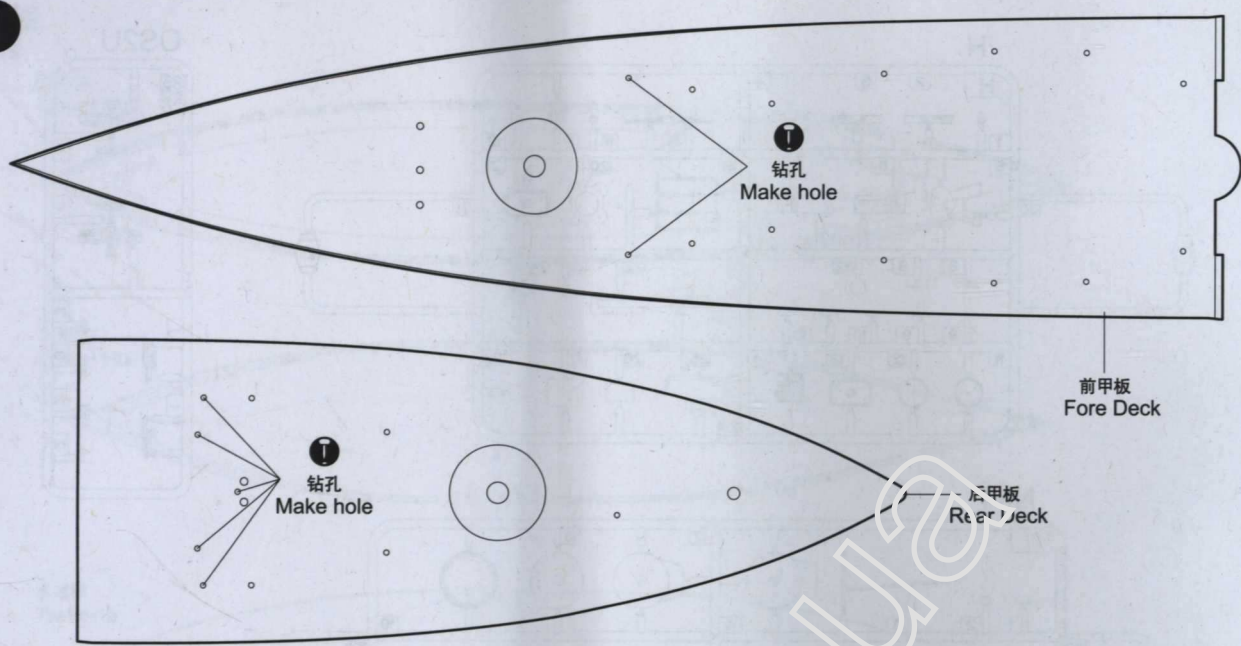




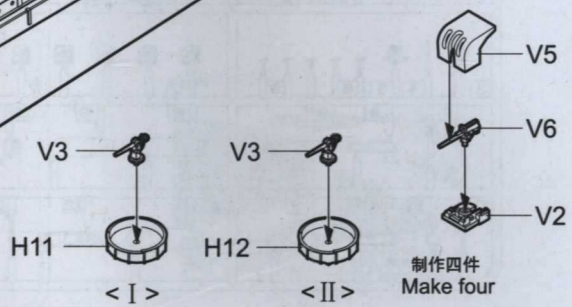
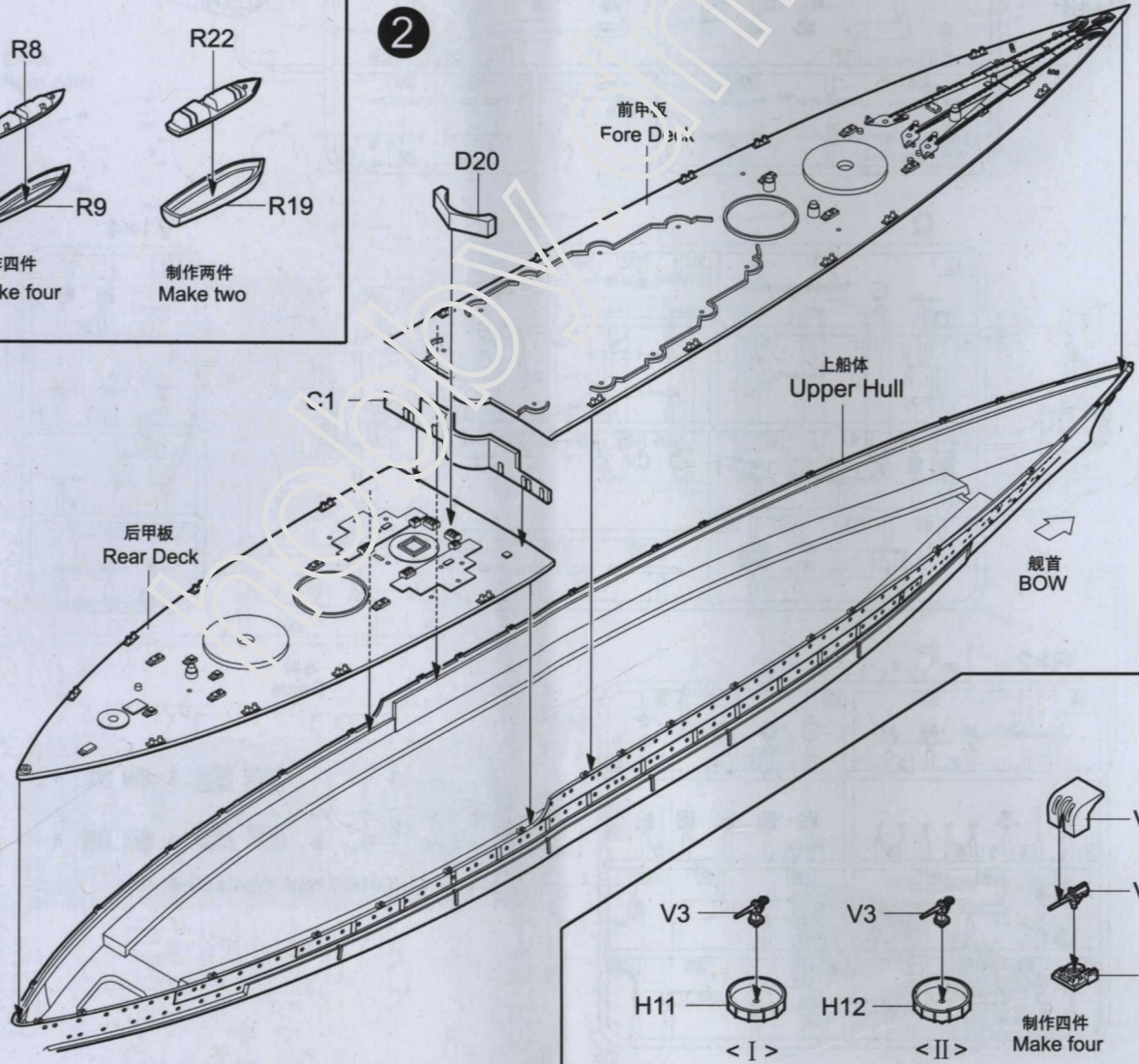
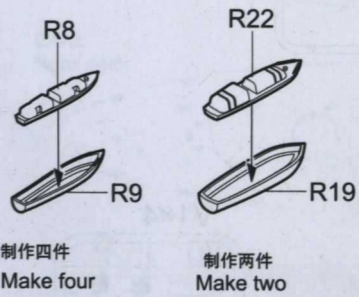
水貼  
Decal



1

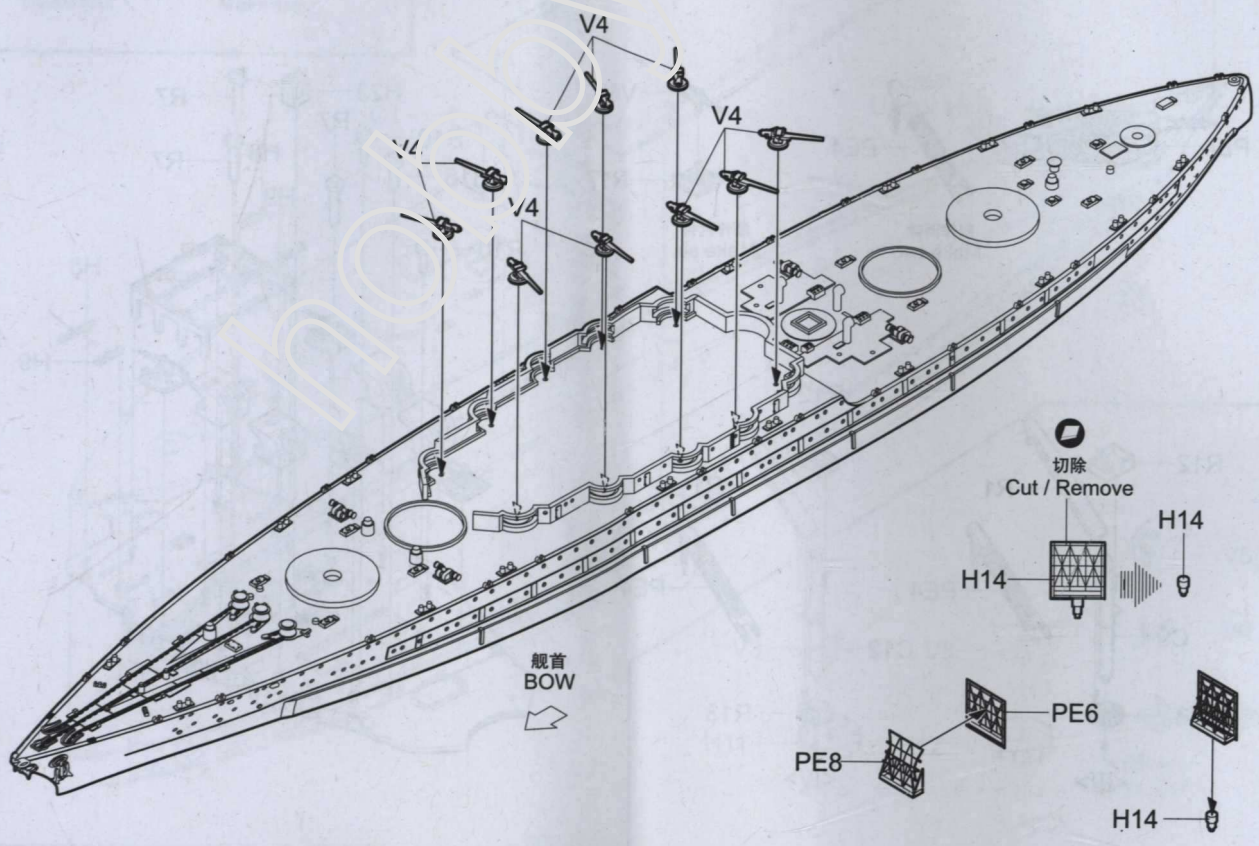
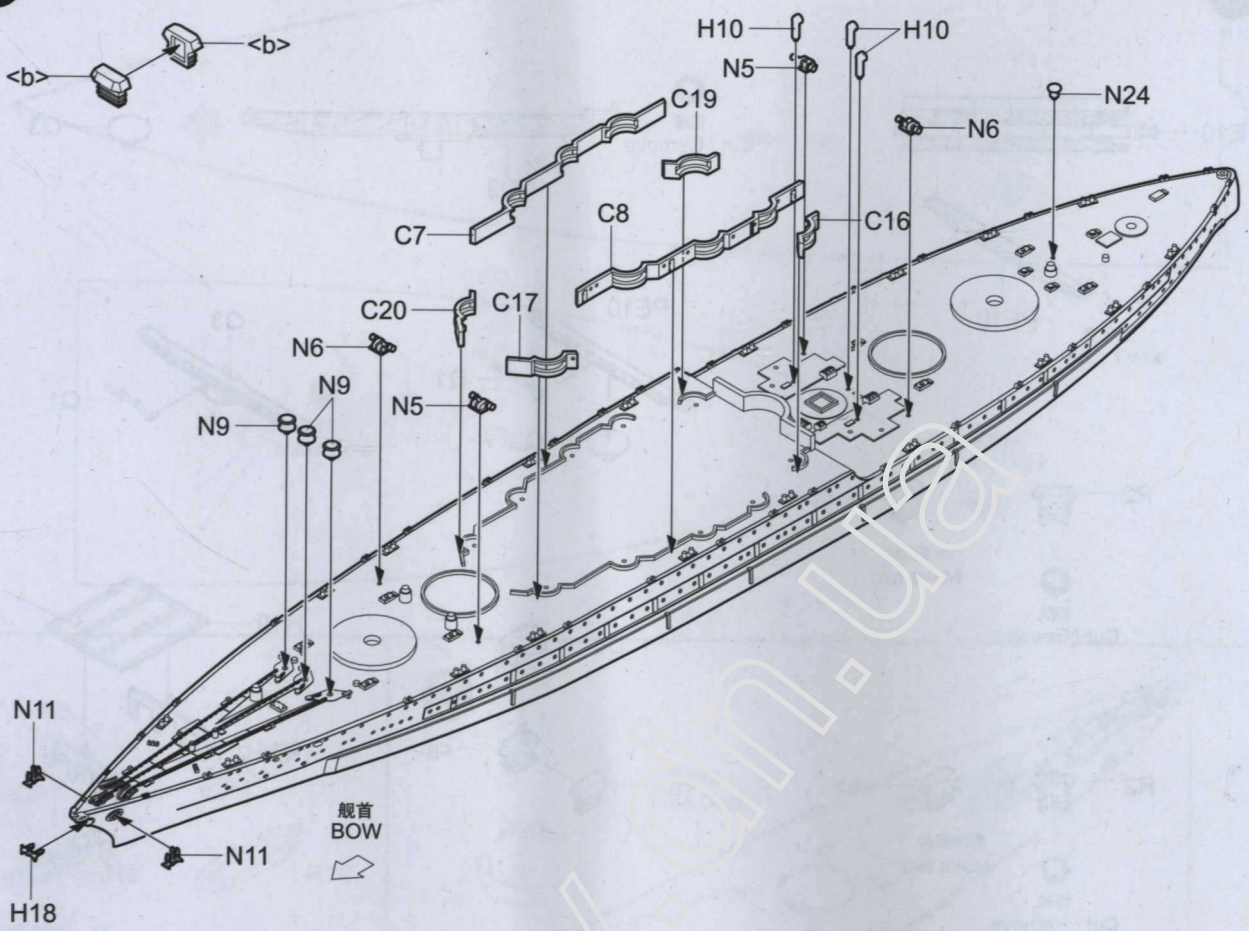
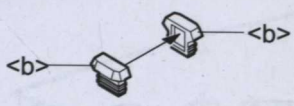


2

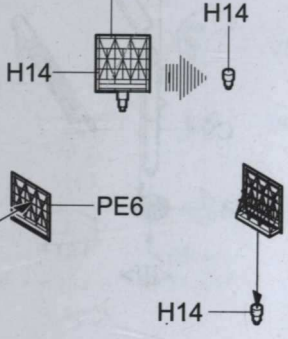




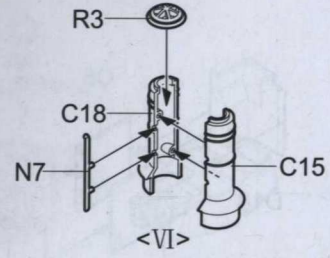
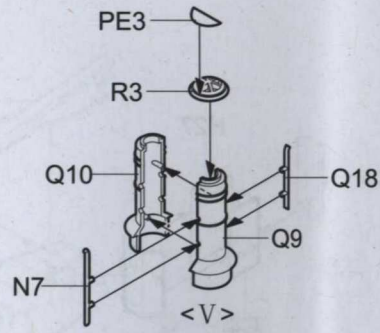
4



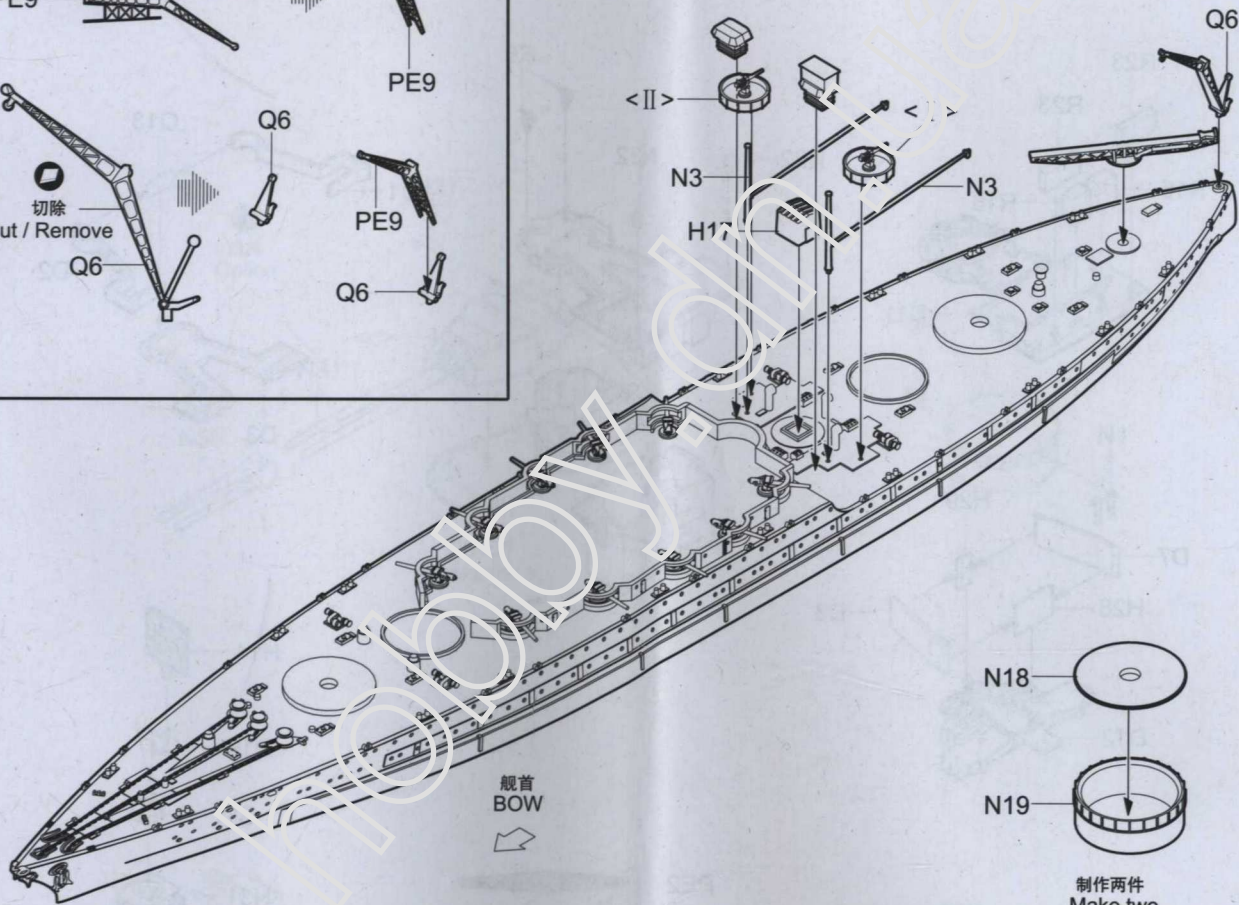
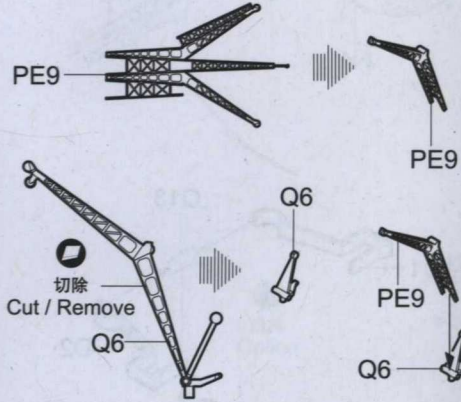
● 切除  
Cut / Remove



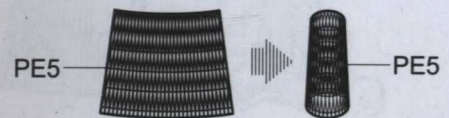
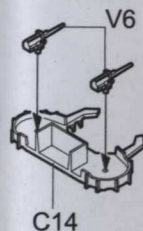
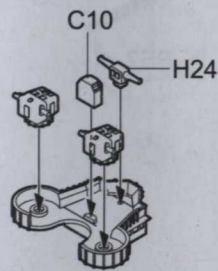
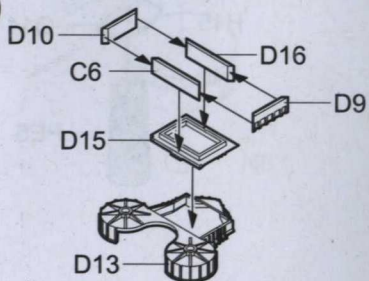
5



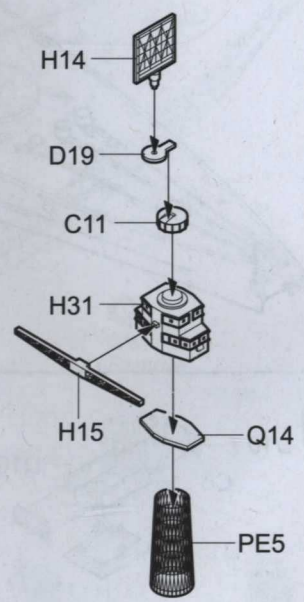
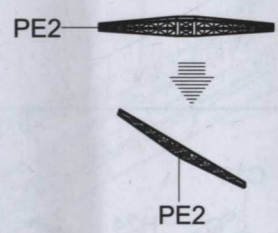
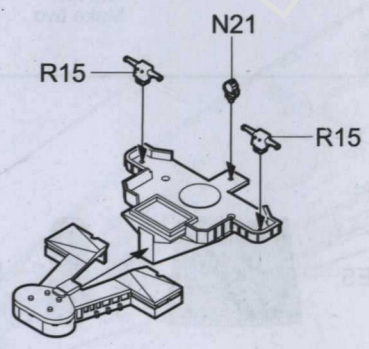
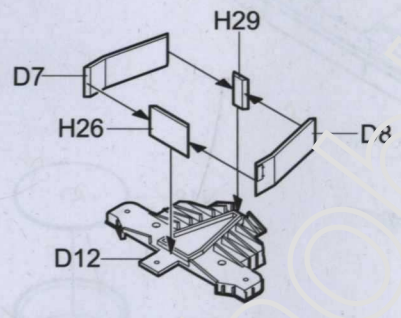
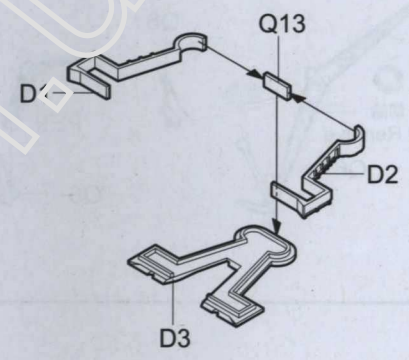
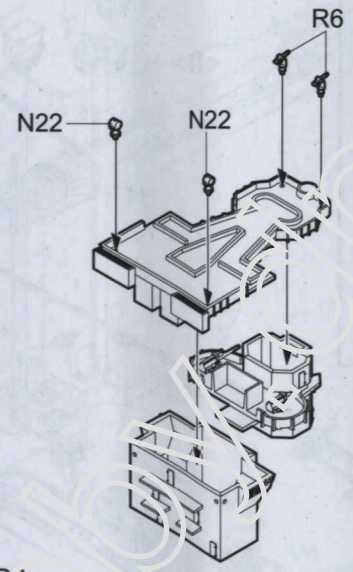
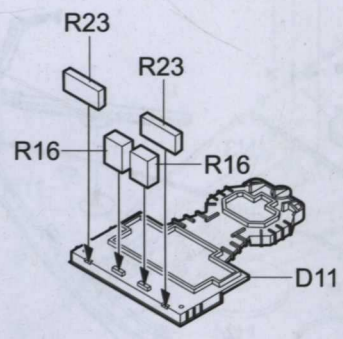
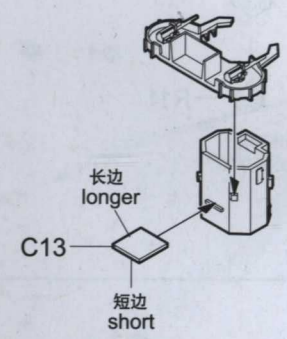
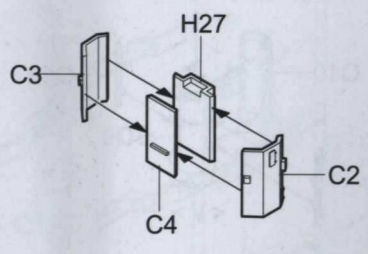
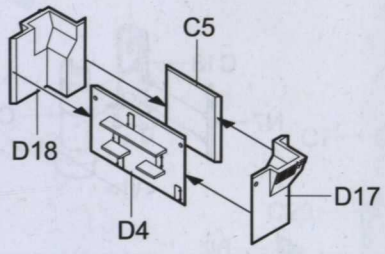
6



7

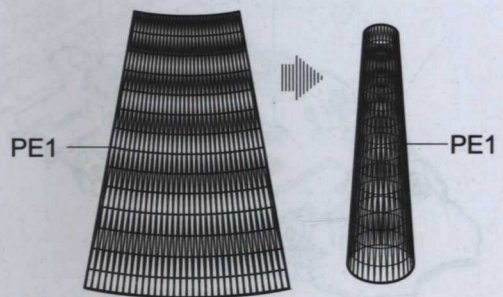
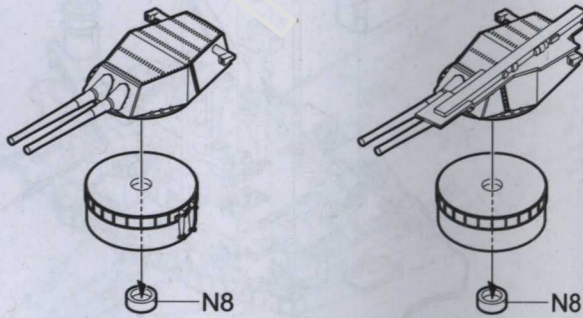
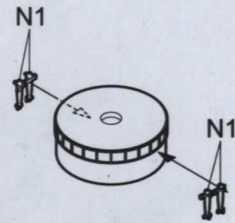
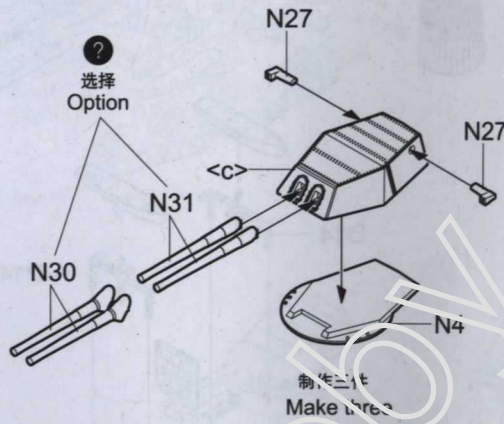
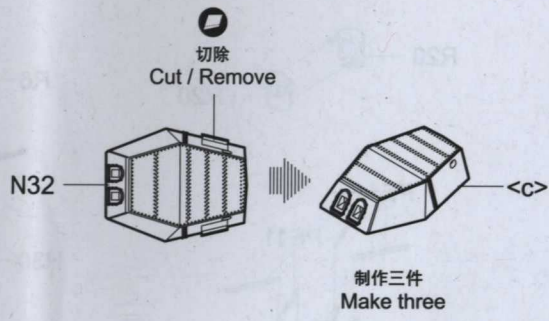
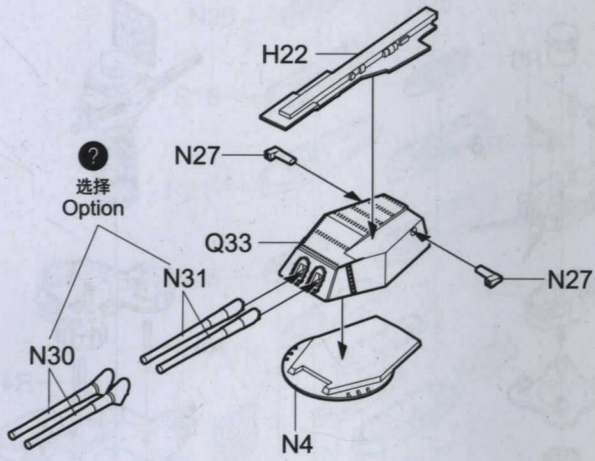


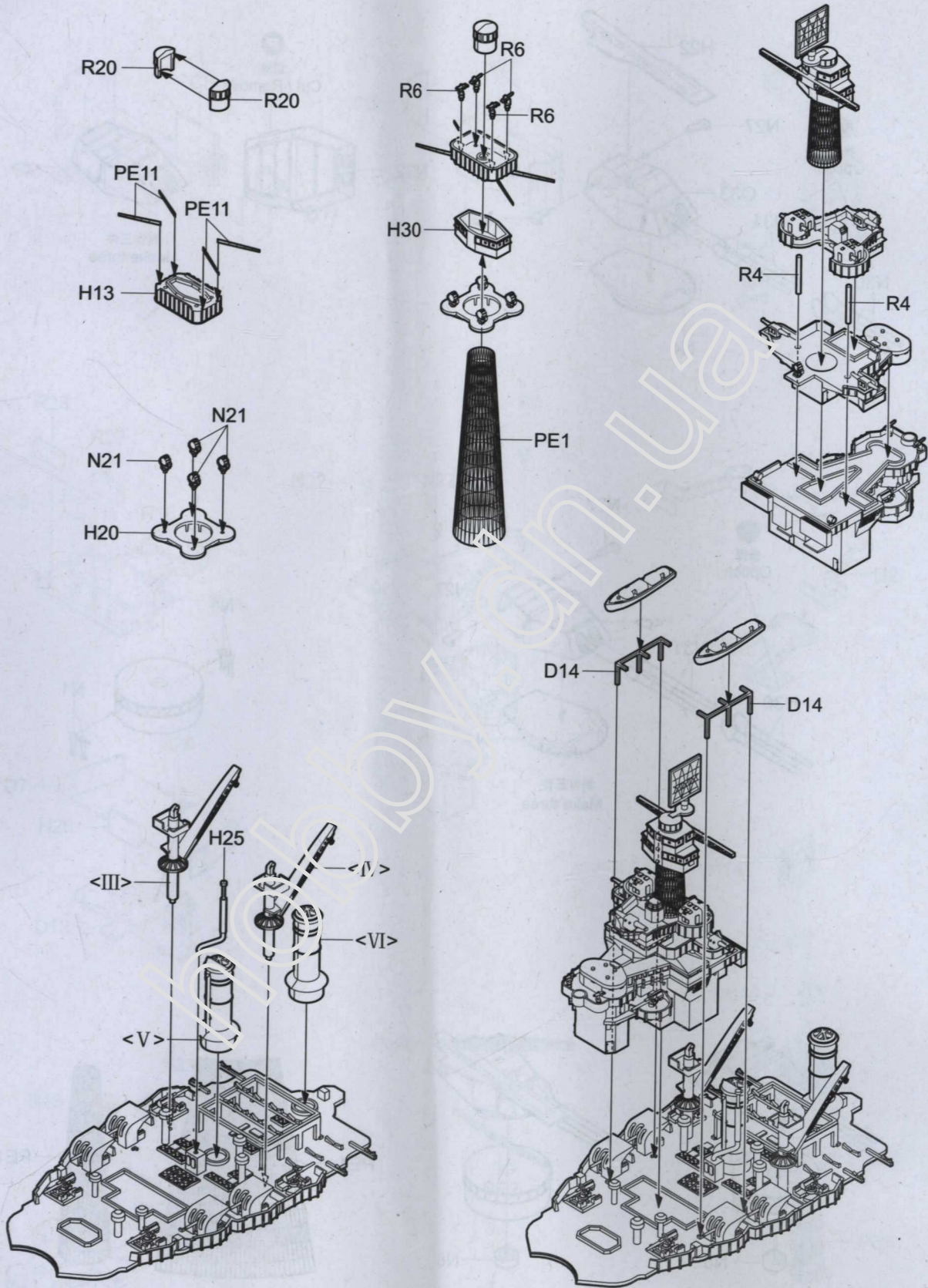
8

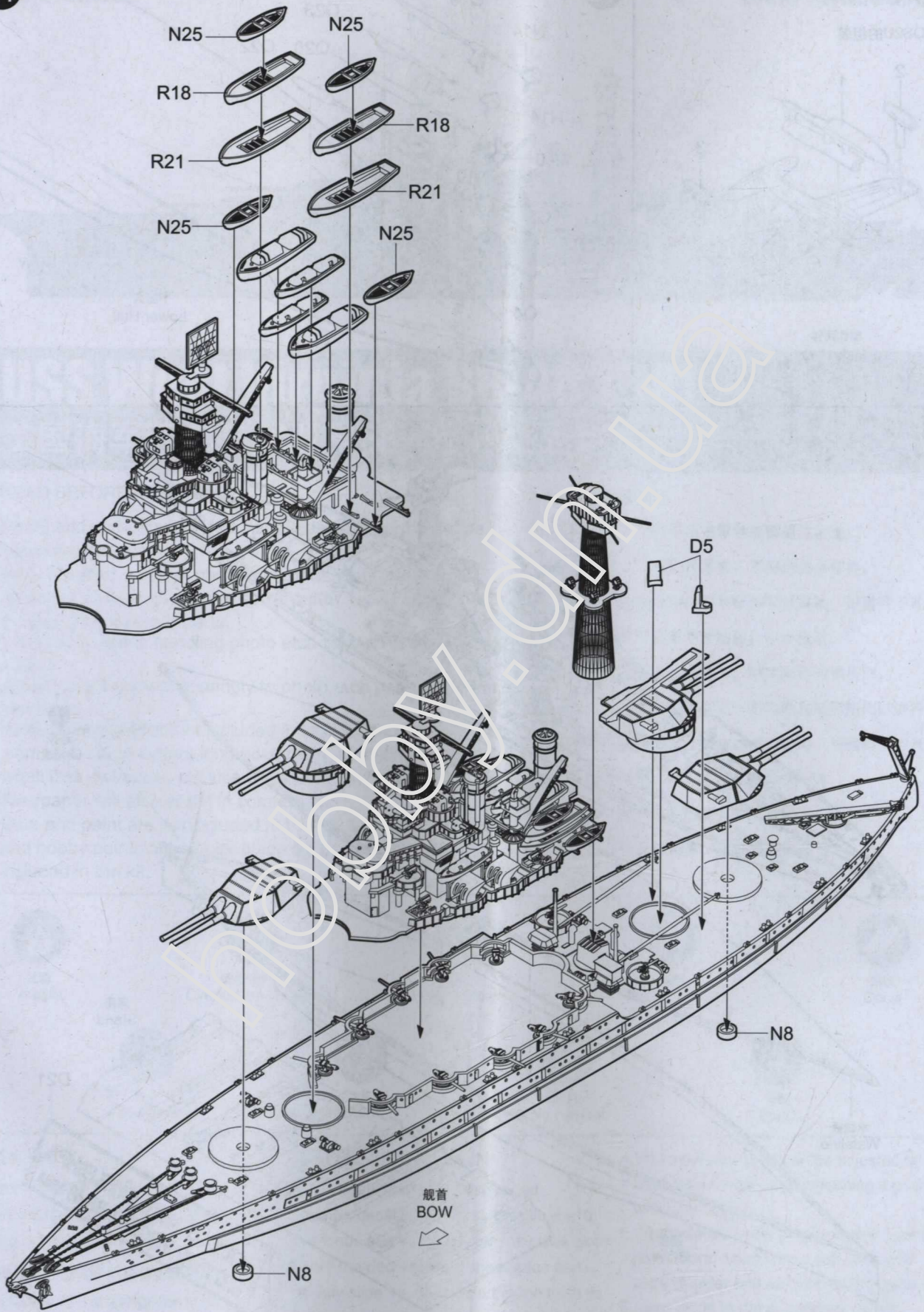




9

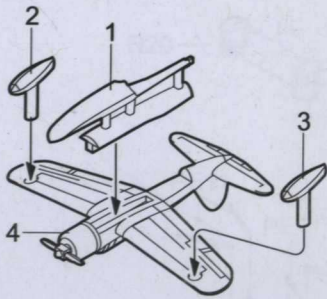






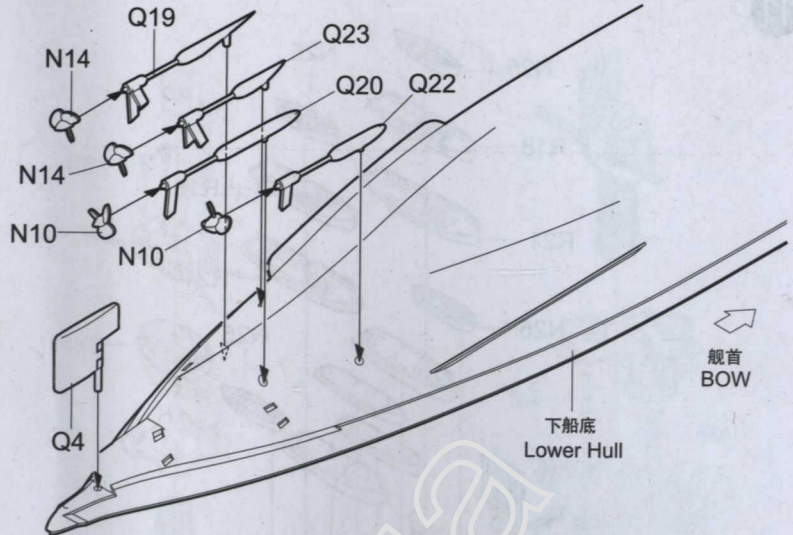
12

OS2U的组装

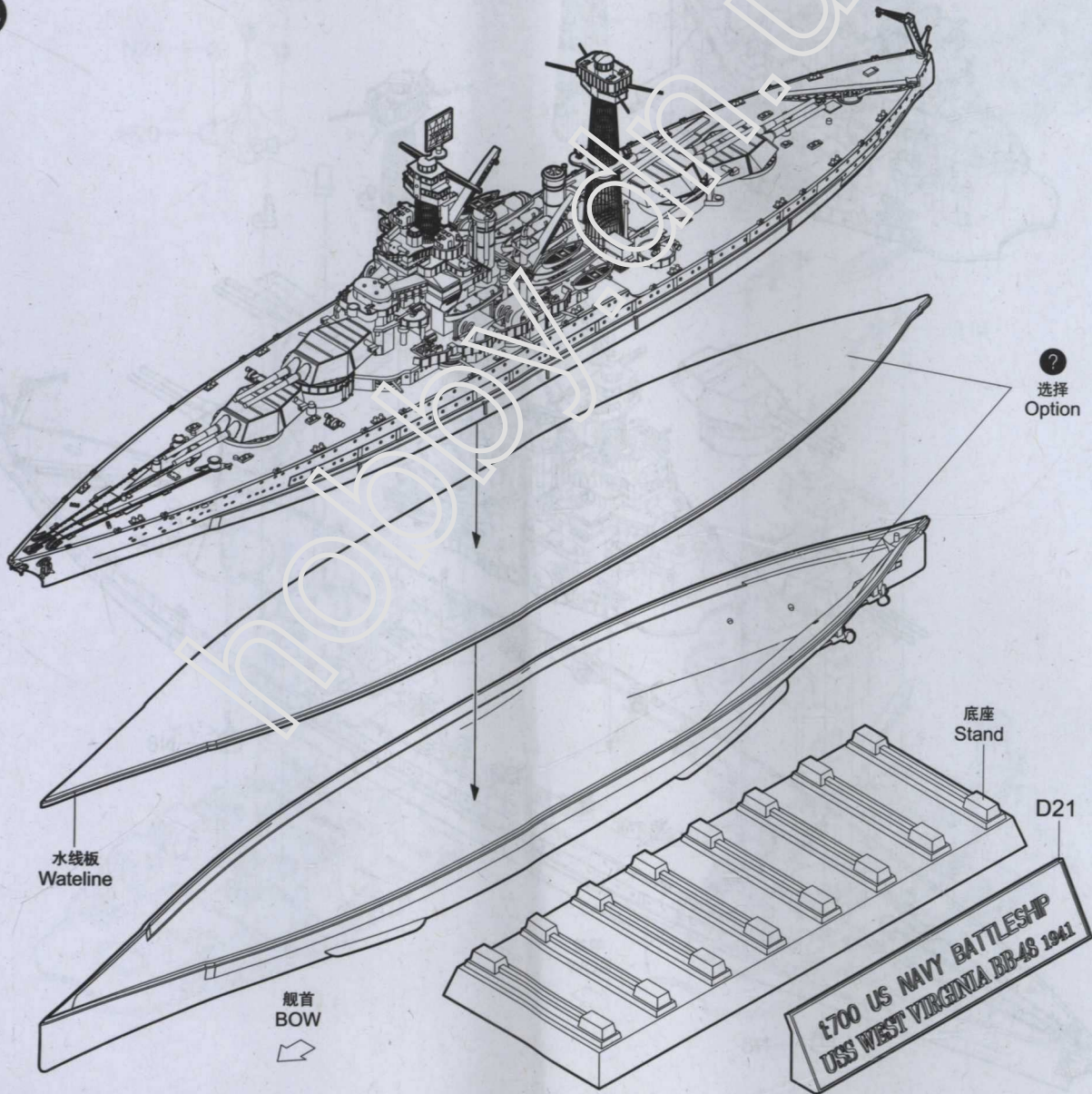


制作两件  
Make two

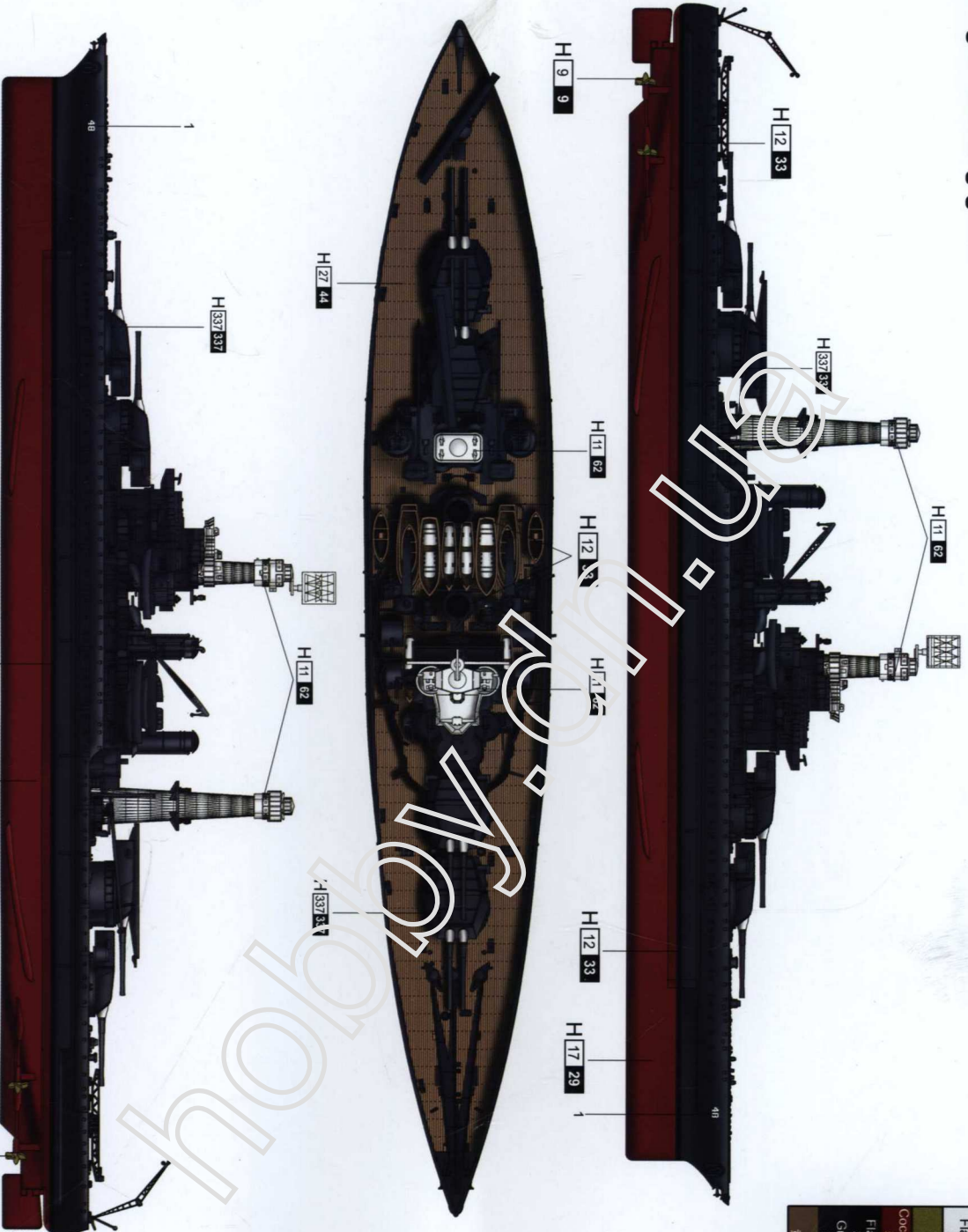
13



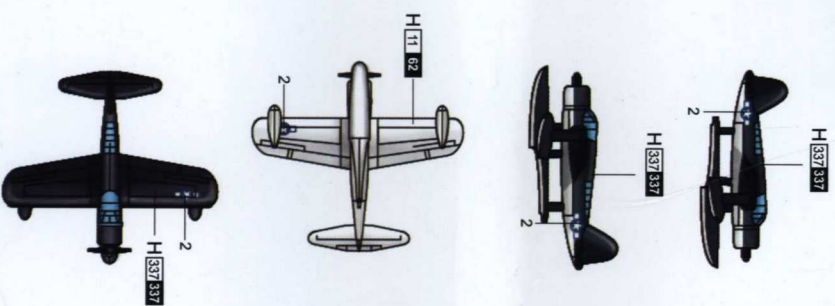
14



# 涂装同标贴指示 Painting & Marking guide



PAINT REFERENCE COLOUR					
Color	Mr.Hobby	Valejo	Model Master	Tamiya	Humbrol
Flat White 消光白	H 11 62	951	1768	XF2	34
Gold 金色	H 9 9	878	1744	XF-12	16
Cocoa Brown 赭棕色	H 17 29	985	-	XF9	177
Flat black 消光黑	H 12 33	950	1749	XF-1	33
Gray Blue 海灰蓝	H 337 337	-	1721	XF20	145
Tan 黄褐色	H 27 44	981	-	-	9



AQUEOUS HOBBY COLOR     MR. COLOR

05771 1/700 USS West Virginia BB-48 1941