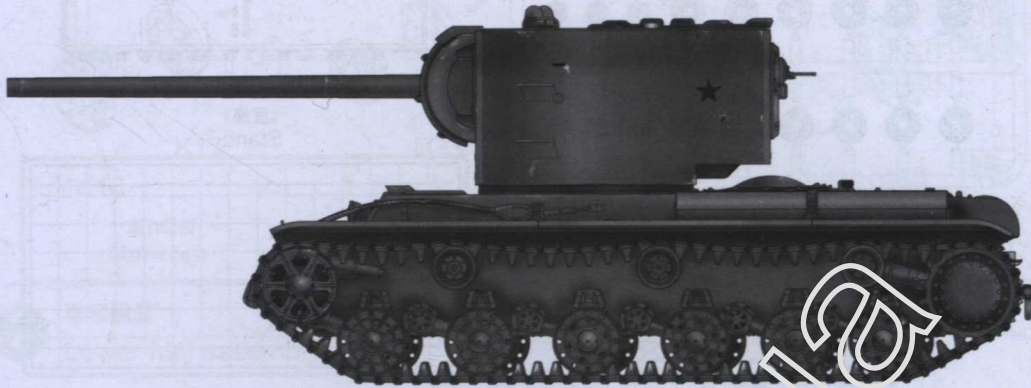


1:72 SCALE

ITEM NO.:07162

Russian KV-2 with 107mm zis-6

俄罗斯KV-2坦克-107mm zis-6 炮管



READ BEFORE ASSEMBLY:

- Study and understand these instructions thoroughly before beginning assembly
- When needed, remove photo-etch parts carefully using a modeling knife or photo etch sprue cutter, being careful not to damage or lose small parts.
- Take extra care in handling photo etch parts in order to avoid injury
- Apply instant cement sparingly to photo etch parts where instructed
- Tools recommended(not included in kit):Plastic and instant cements,sprue cutters,long nose pliers,,modeling knife, small files, tweezers, pin vise & scissors. Soft cloth and sandpaper will also assist in construction
- Glue and paint are not included in the kit. Use plastic cement and hobby paints only. Color guide for purchasing paint is included in the kit.

装配之前仔细阅读

- 小心用模型锉刀锉平所有零件表面的注射浇口。
- 小心用刀片切下蚀刻片零件，不要遗失小零件。
- 用强力快干胶水粘合蚀刻片零件和金属轴。过量的快干胶水使用可能导致可动零件会粘住，小心涂胶。
- 取蚀刻片时应特别注意安全，防止利边划伤手指。
- 某些零件表面需贴水上贴纸，请选择在装配的同时进行。
- 推荐模型工具(自备)：胶水，水口剪刀，长咀钳，刀片，镊子，钳，钻，剪刀，瞬间快干胶。
- 软布同砂纸同时也应该是必备工具。
- 请使用塑料胶水和油漆，模型内不含。



cyanoacrylate glue
使用强力胶



weight
重量



make hole
钻孔



cut / remove
切除



bend
弯曲



file / sand
锉平



option
选择



no cement
不涂胶水



decal
贴纸



先装
Install it first

水贴纸的使用:

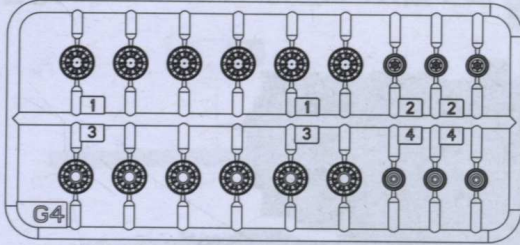
1. 从水贴纸上剪下印花;
2. 将印花放入温水中浸10秒，然后放在干净布上。
3. 拿着印花纸将印花移到模型上;
4. 手指蘸水将印花移到适当的位置;
5. 用软布轻压印花直至水干，气泡消失。

DECAL APPLICATION

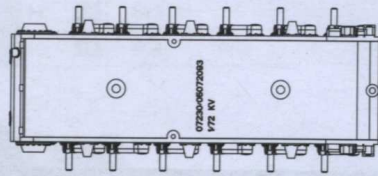
1. Cut off decal from sheet.
2. Dip the decal in tepid water 40°C for about 10 sec. and place on a clean cloth.
3. Hold the backing sheet edge and slide decal onto the model.
4. Move decal into position by wetting decal with finger.
5. Press decal gently down with a soft cloth until excess water and air bubbles are gone.
6. Allow decal to dry completely before handling model.

部品图
Parts

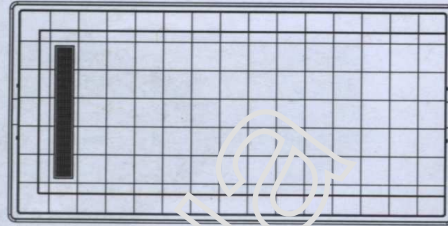
Gx2



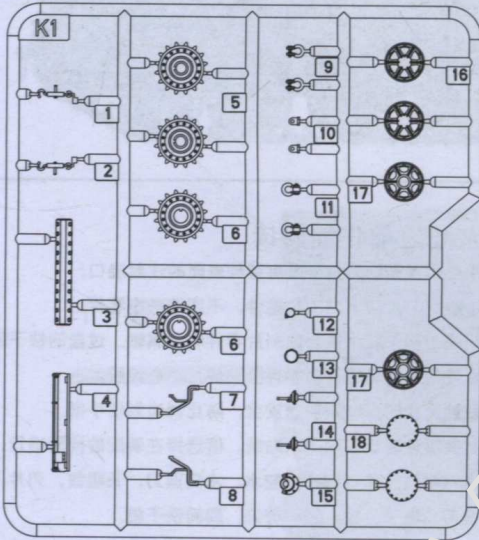
《车底》
Lower hull



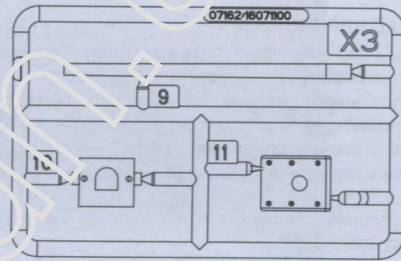
《底座》
Stand



K



X3



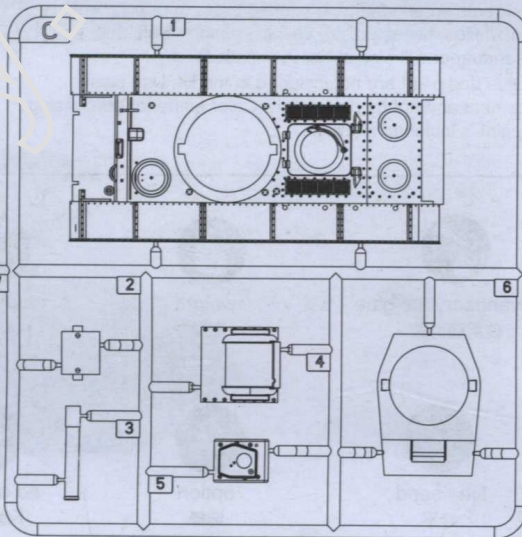
《水贴纸》
Decal



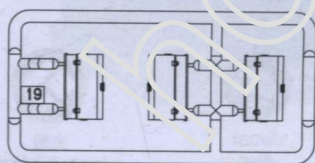
《炮架》
Turret



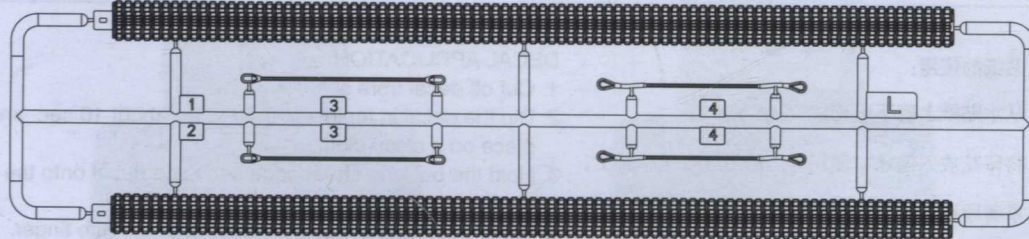
C



K



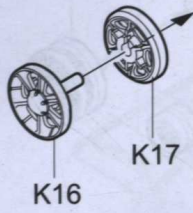
L



不用部件: L4
Unused parts

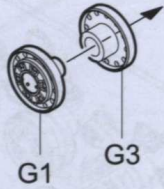
1 车轮组装
Wheels assembly

《诱导轮》
Idler wheel



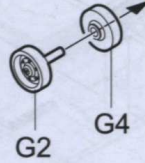
制作2套
Make two

《负重轮》
Road wheel



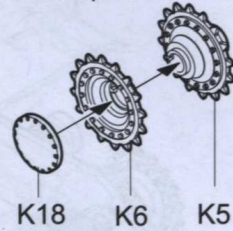
制作12套
Make twelve

《托带轮》
Support rollers



制作6套
Make six

《驱动轮》
Drive sprocket

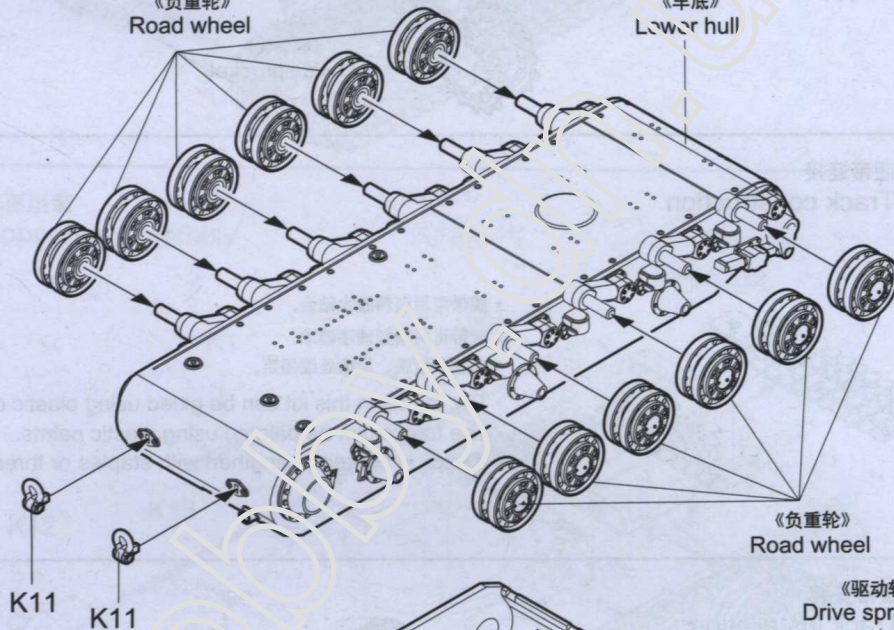


制作2套
Make two

2 车底组装
Lower hull assembly

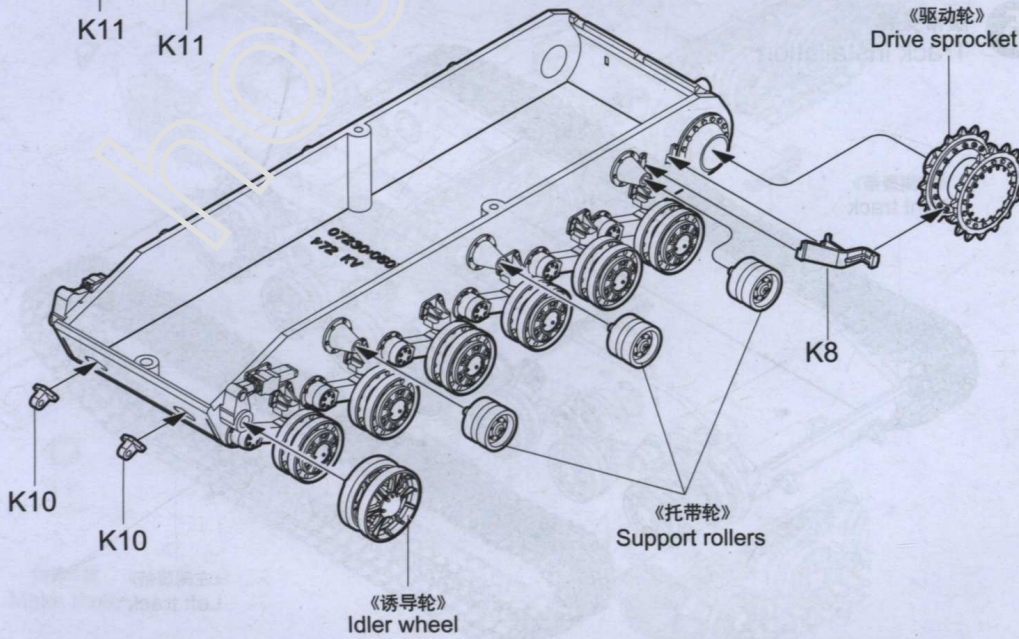
《负重轮》
Road wheel

《车底》
Lower hull



《负重轮》
Road wheel

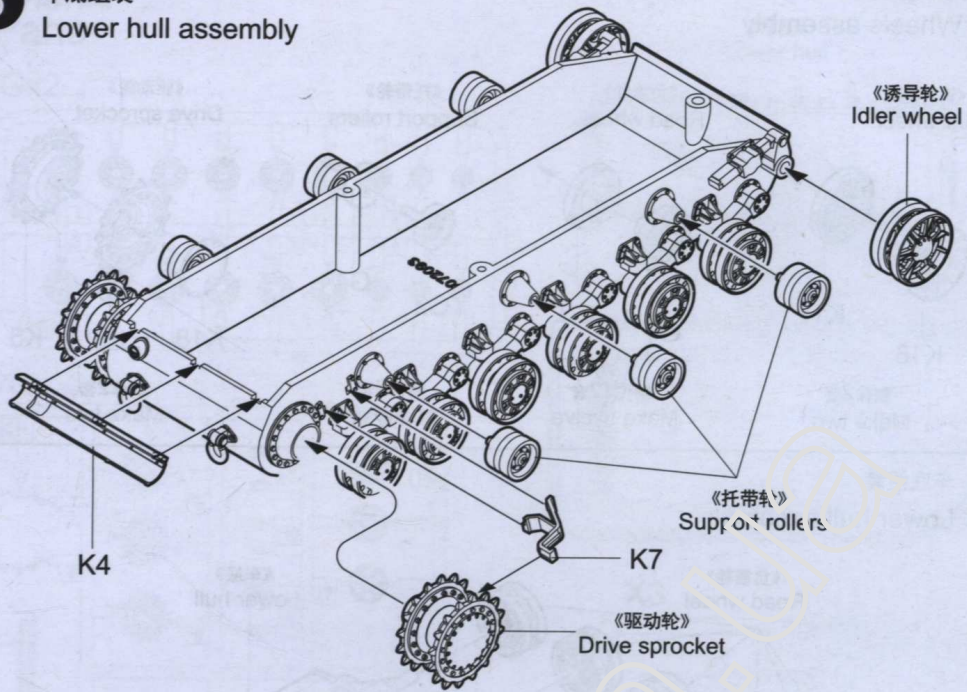
《驱动轮》
Drive sprocket



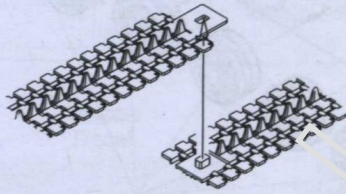
《托带轮》
Support rollers

《诱导轮》
Idler wheel

3 车底组装
Lower hull assembly

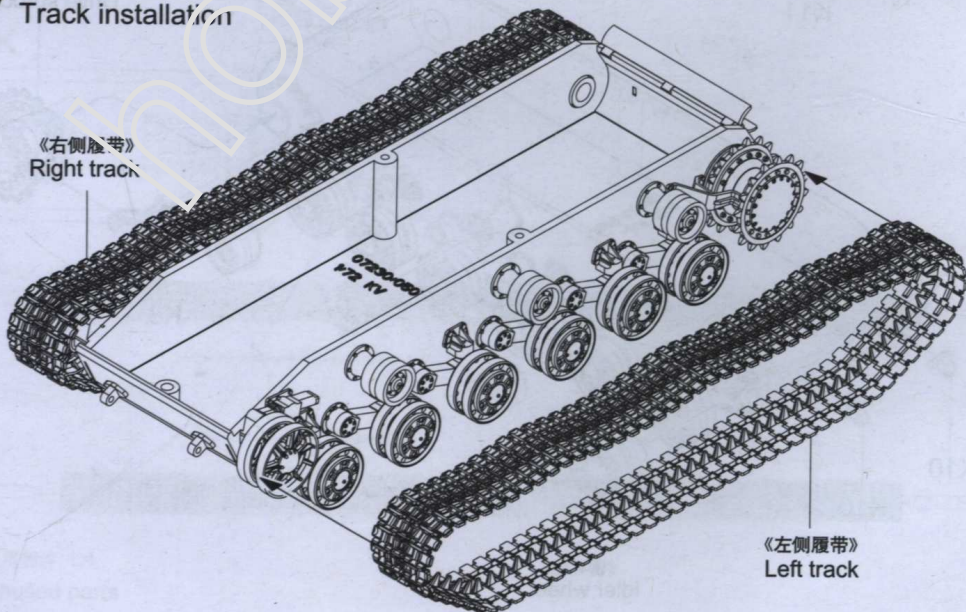


4 履带连接
Track construction

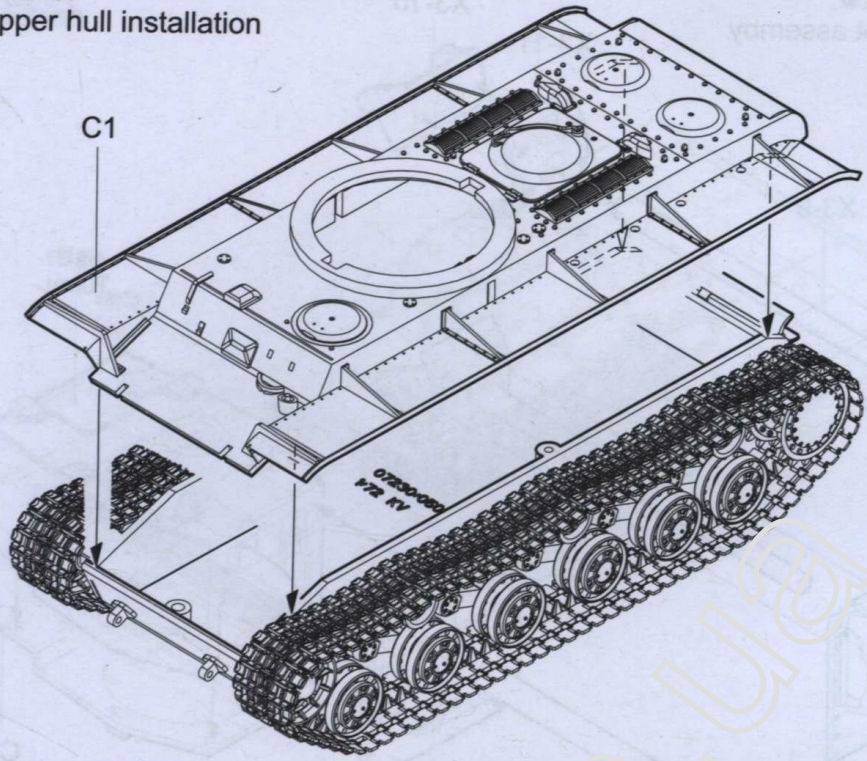


- * 履带可用塑料胶水粘合。
- * 履带可用模型漆喷涂。
- * 若履带断裂，用细丝线固定。
- * The tracks in this kit can be glued using plastic cement.
- * The tracks can be painted using plastic paints.
- * If track is broken strengthen with staples or thread.

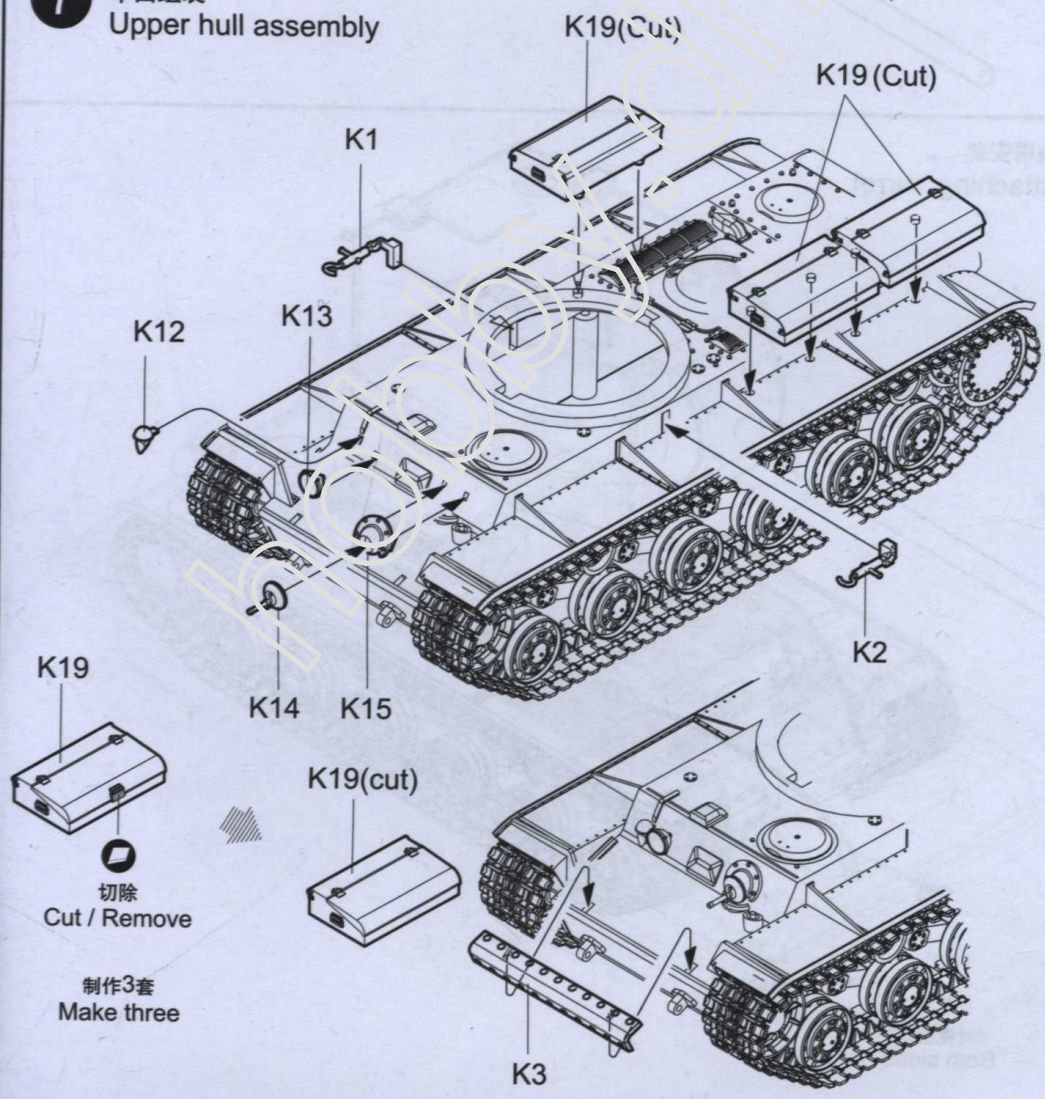
5 履带安装
Track installation



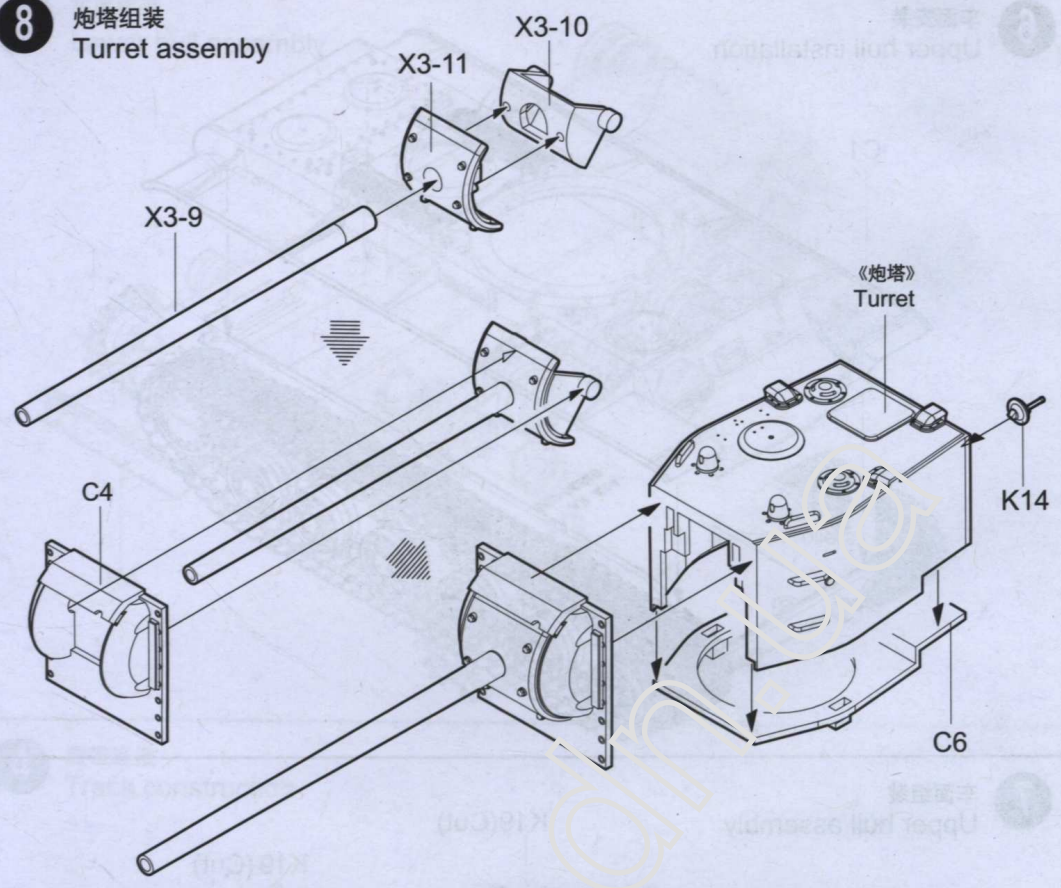
6 半圆女装
Upper hull installation



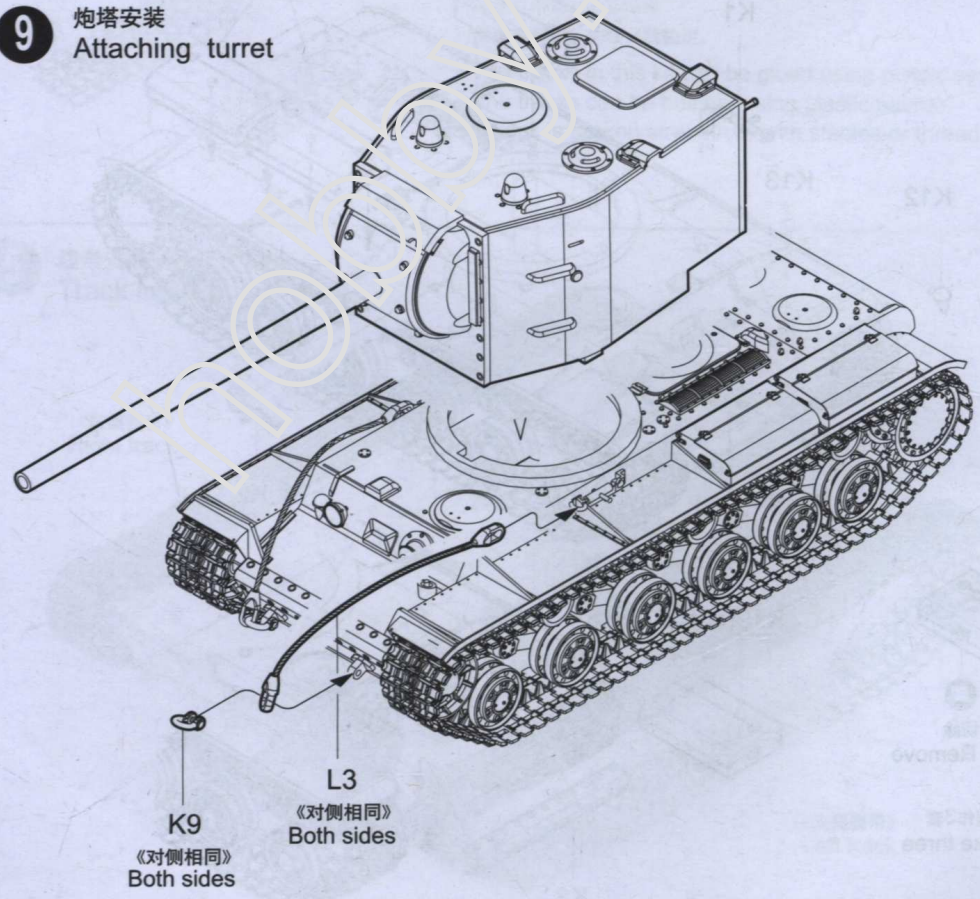
7 车面组装
Upper hull assembly



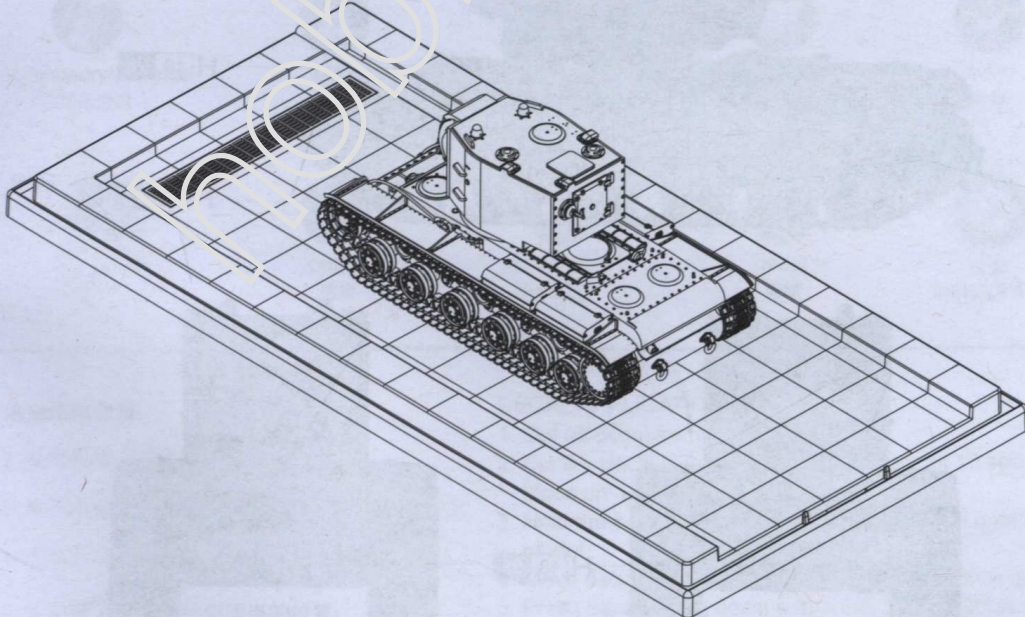
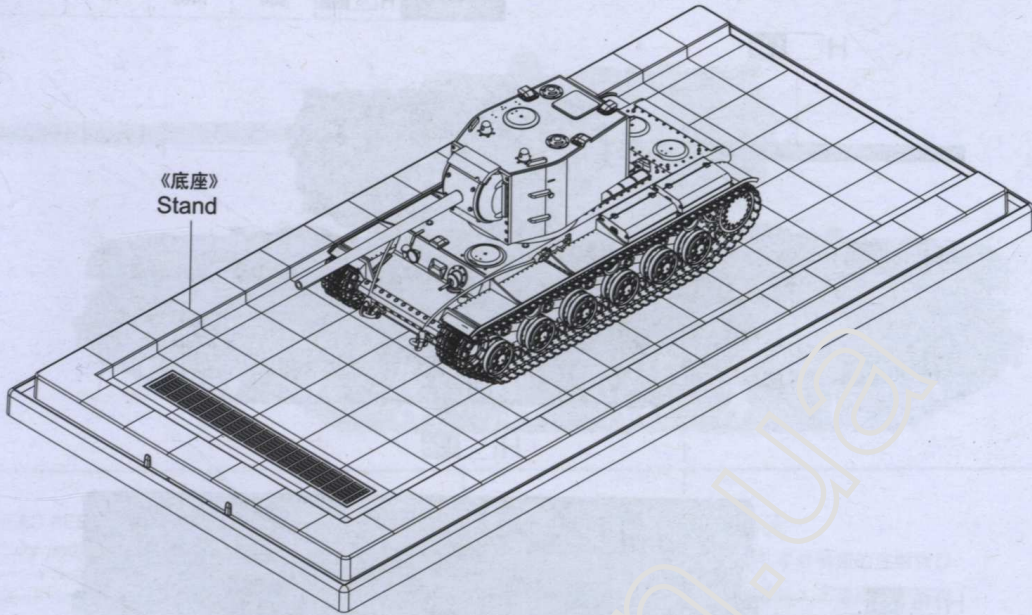
8 炮塔组装
Turret assembly



9 炮塔安装
Attaching turret



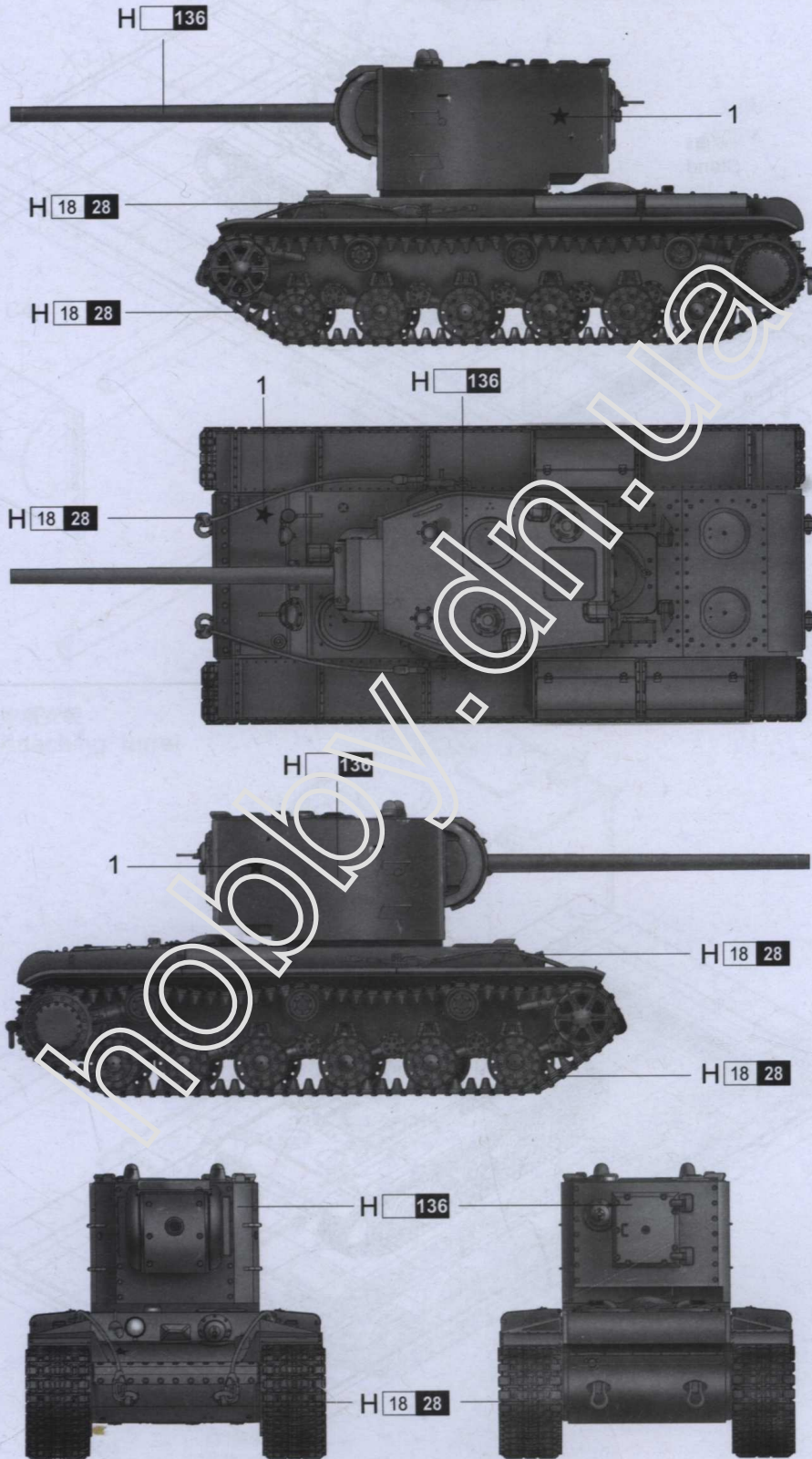
10 完成
Finish



涂装同标贴指示
Painting & Marking guide

PAINT REFERENCE COLOUR

Color	Mr.Hobby	Vallejo	Model Master	Tamiya	Humbrol
Russian Green(2) 苏联绿	H 136	823	---	---	---
Steel 黑铁色	H 18 28	864	1402	---	---



H AQUEOUS HOBBY COLOR Mr. COLOR