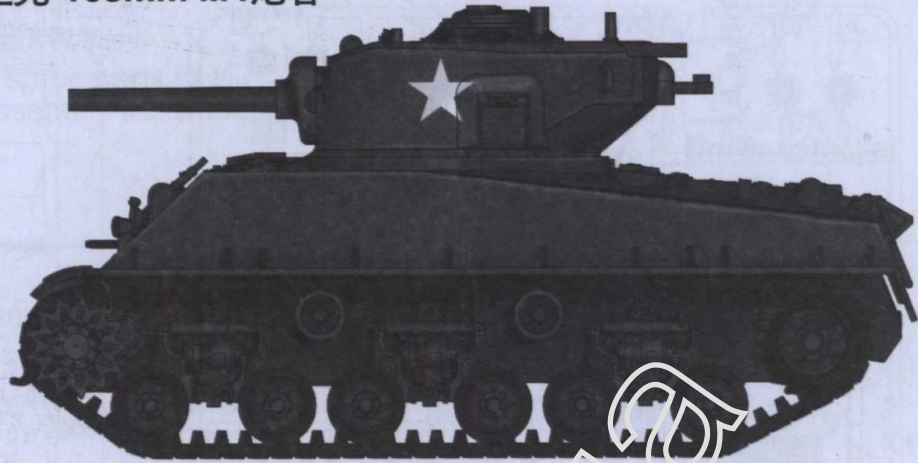


1:72 SCALE

ITEM NO.:07168

US M4A3E8 with 105mm M4

美国M4A3E8坦克-105mm M4炮管



READ BEFORE ASSEMBLY:

- Study and understand these instructions thoroughly before beginning assembly
- When needed, remove photo-etch parts carefully using a modeling knife or photo etch sprue cutter, being careful not to damage or lose small parts.
- Take extra care in handling photo etch parts in order to avoid injury
- Apply instant cement sparingly to photo etch parts where instructed
- Tools recommended(not included in kit):Plastic and instant cements,sprue cutters,long nose pliers,,modeling knife, small files, tweezers, pin vise & scissors. Soft cloth and sandpaper will also assist in construction
- Glue and paint are not included in the kit. Use plastic cement and hobby paints only. Color guide for purchasing paint is included in the kit.

装配之前仔細閱讀

- 小心用模型銼刀銼平所有零件表面的注射澆口。
- 小心用刀片取下蝕刻片零件，不要遺失小零件。
- 用過快的快干膠水沾合蝕刻片零件和金屬軸。過量的快干膠水使用可能導致可動零件會粘住，小心塗膠。
- 取蝕刻片時應特別注意安全，防止利邊劃傷手指。
- 某些零件表面需貼上水貼紙，請選擇在裝配的同時進行。
- 推薦模型工具(自備)：膠水，水口剪刀，長咀鉗，刀片，鉸刀，鑷子，鉗，鑽，剪刀，瞬間快干膠。
- 軟布同砂紙同時也應該是必備工具。
- 請使用塑料膠水和油漆，模型內不含。



cyanoacrylate glue
使用強力膠



weight
配重



make hole
鑽孔



cut / remove
切除



bend
彎曲



file / sand
銼平



option
選擇



no cement
不塗膠水



decal
貼紙



先裝
Install it first

水貼紙的使用:

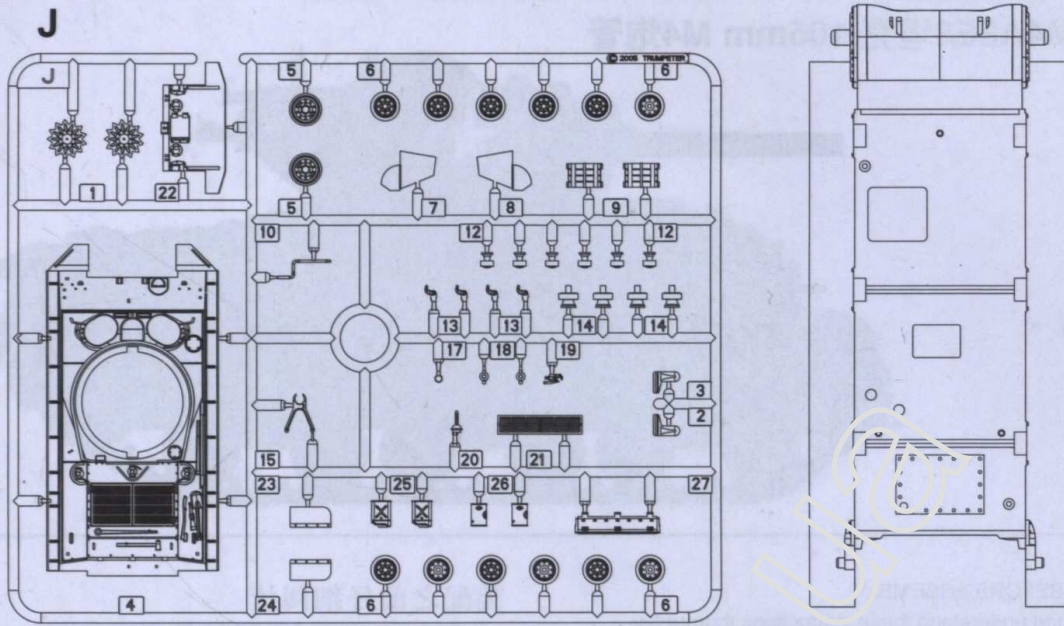
1. 从水貼紙上剪下印花;
2. 將印花放入溫水中浸10秒，然後放在乾淨布上。
3. 拿着印花紙板將印花移到模型上;
4. 手指蘸水將印花移到適當的位置;
5. 用軟布輕壓印花直至水干，汽泡消失。

DECAL APPLICATION

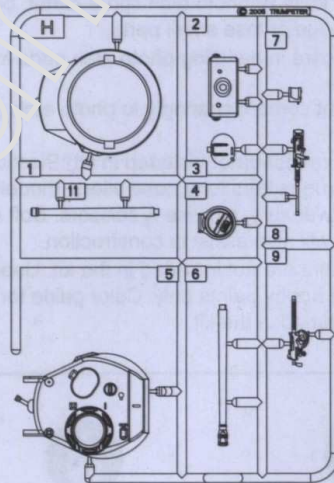
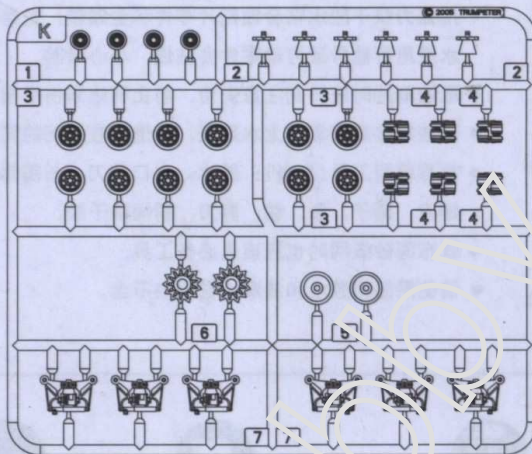
1. Cut off decal from sheet.
2. Dip the decal in tepid water 40°C for about 10 sec. and place on a clean cloth.
3. Hold the backing sheet edge and slide decal onto the model.
4. Move decal into position by wetting decal with finger.
5. Press decal gently down with a soft cloth until excess water and air bubbles are gone.
6. Allow decal to dry completely before handling model.

部品图
Parts

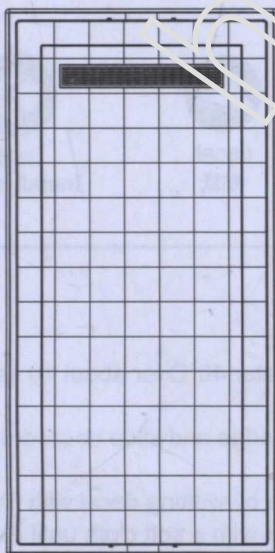
《车底》
Lower hull



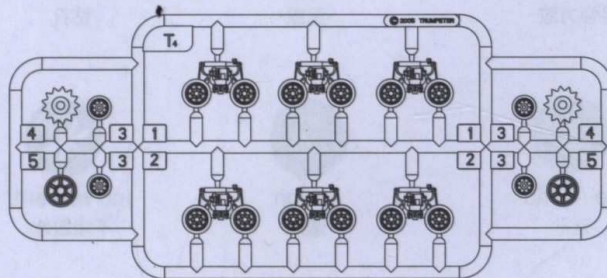
K



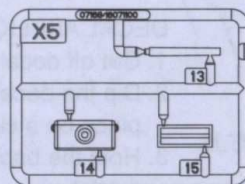
《底座》
Stand



T4



X5



《水贴纸》
Decal

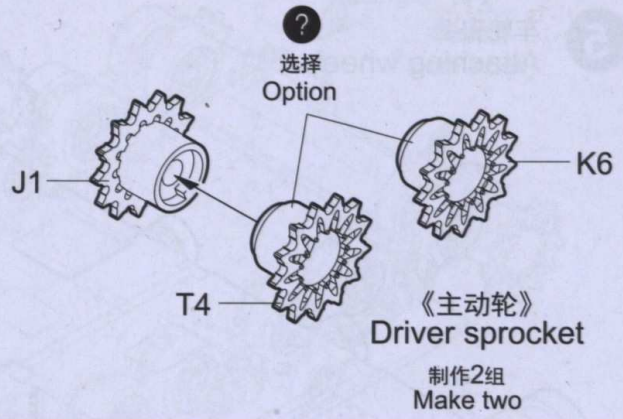


《履带》x2
Track

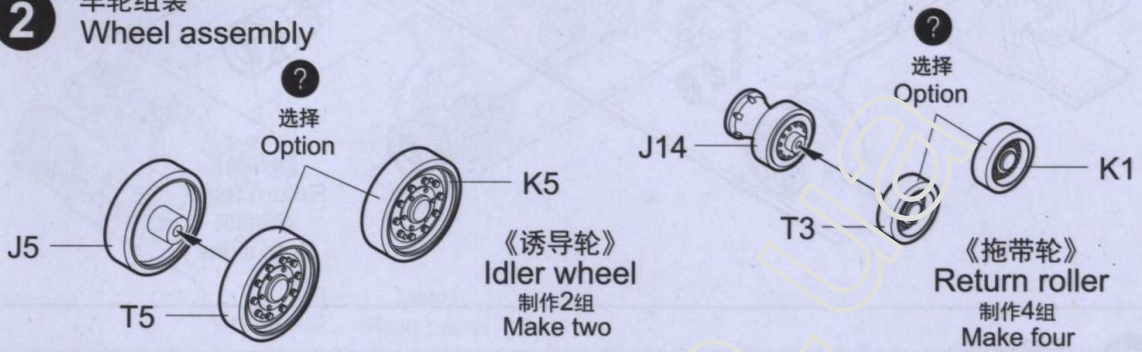


1 车轮组装
Wheel assembly

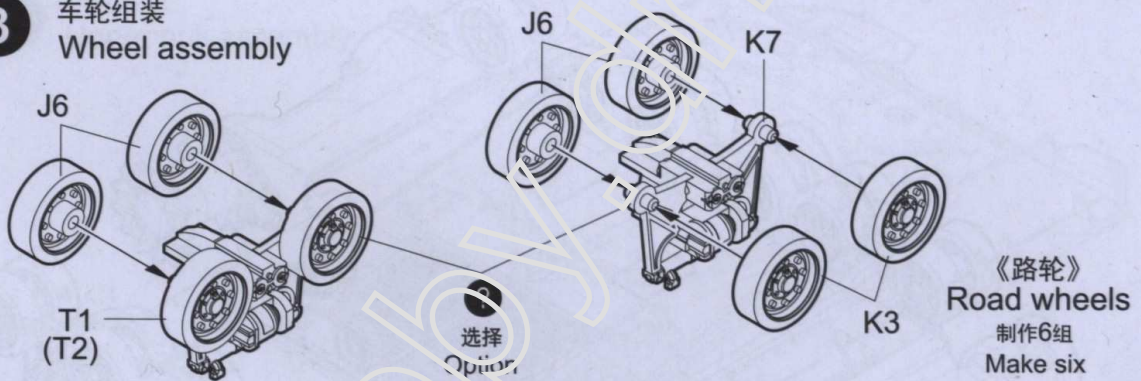
您可以选择组装T板或K板零件
You can select T sprue parts or K sprue parts for assembly the wheels.



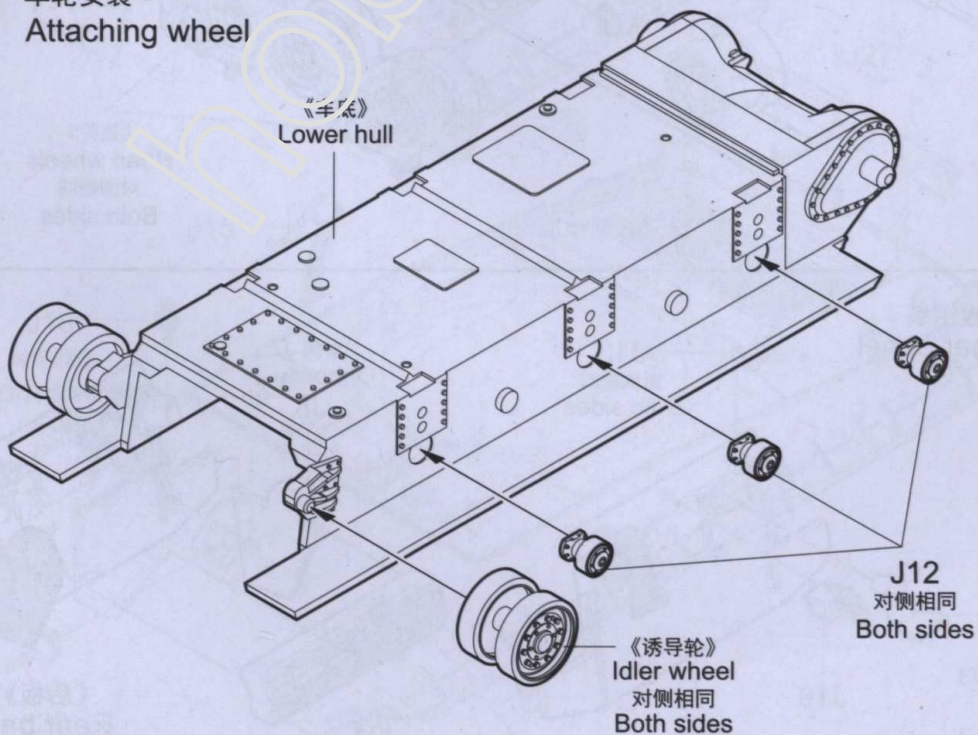
2 车轮组装
Wheel assembly



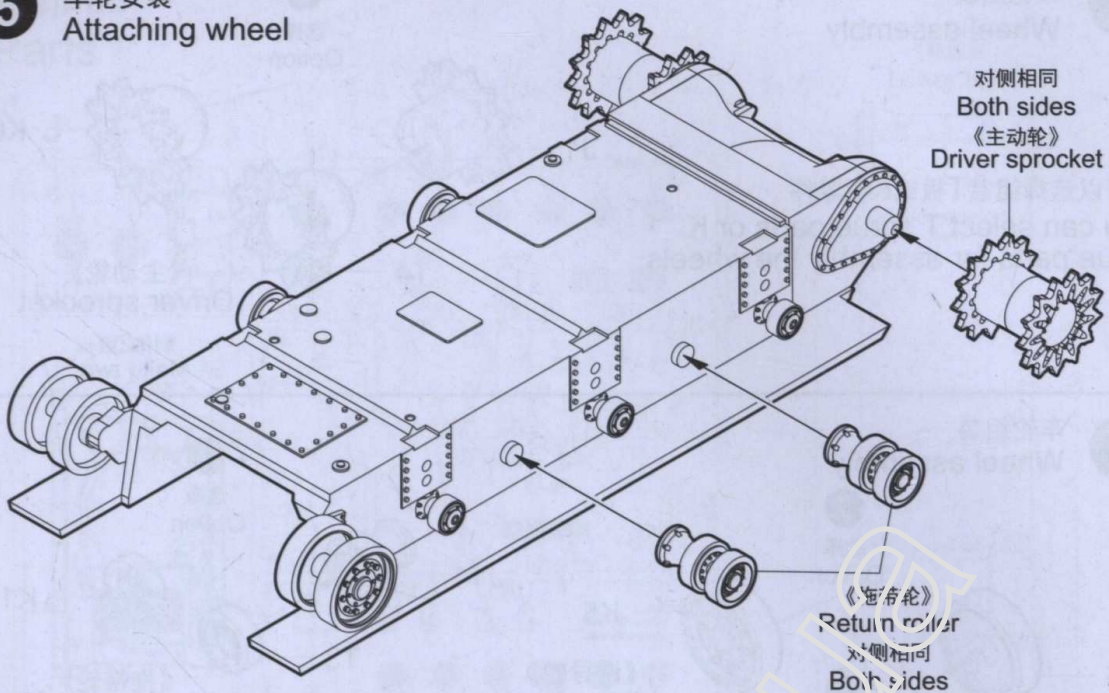
3 车轮组装
Wheel assembly



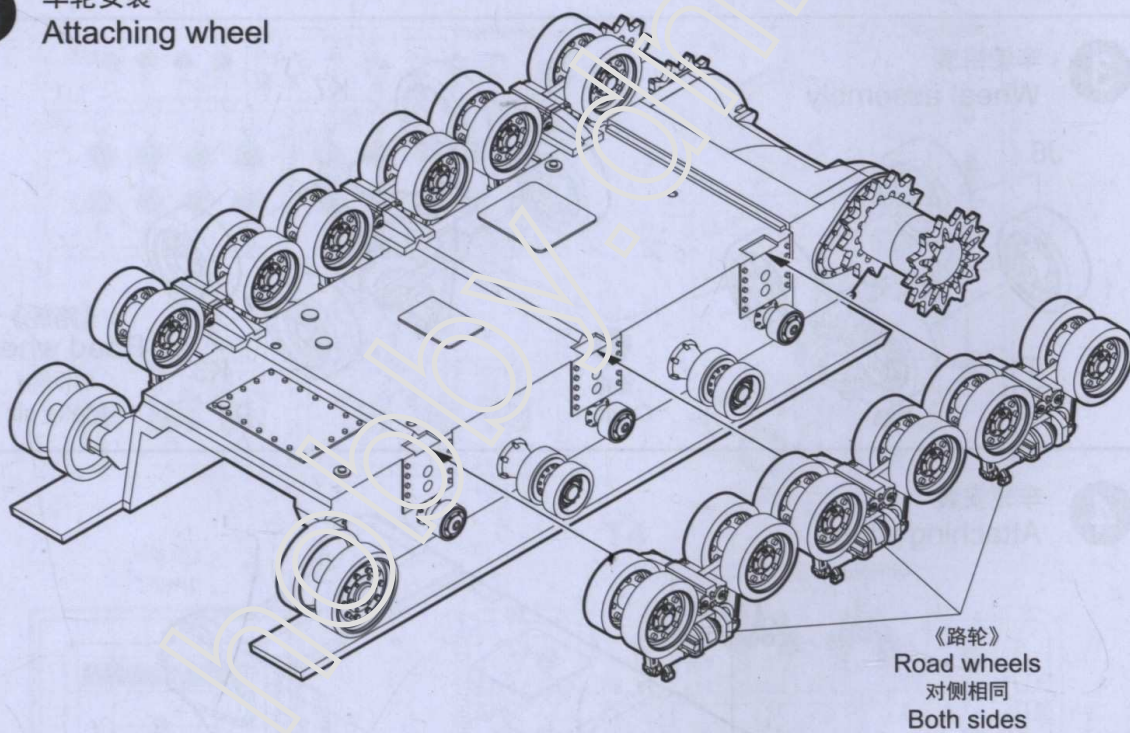
4 车轮安装
Attaching wheel



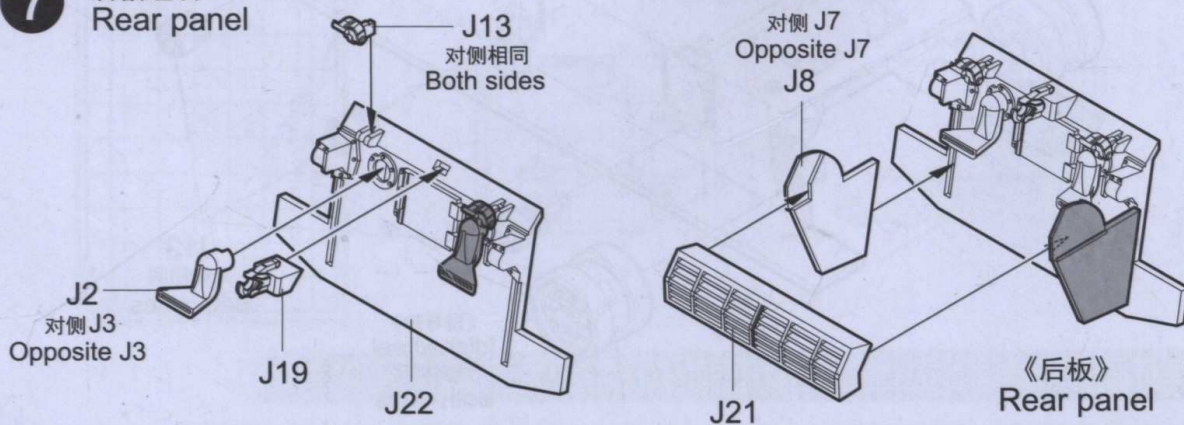
5 车轮安装
Attaching wheel



6 车轮安装
Attaching wheel

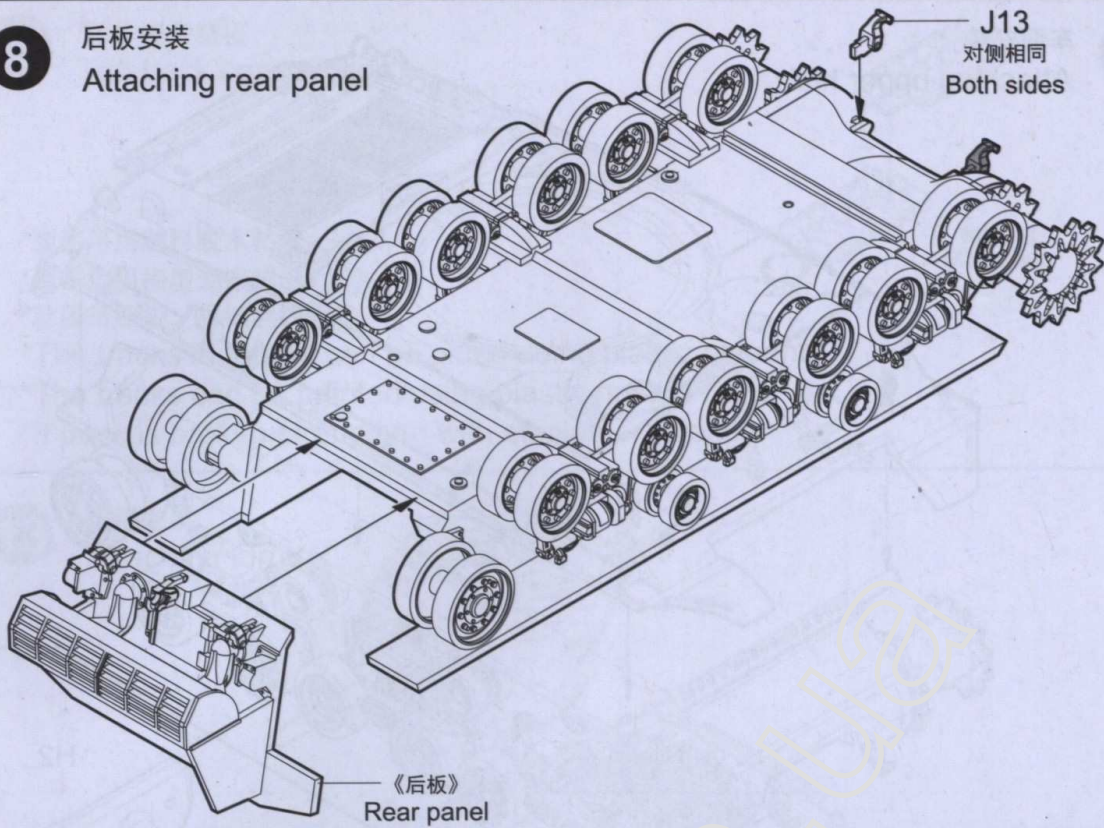


7 后板组装
Rear panel



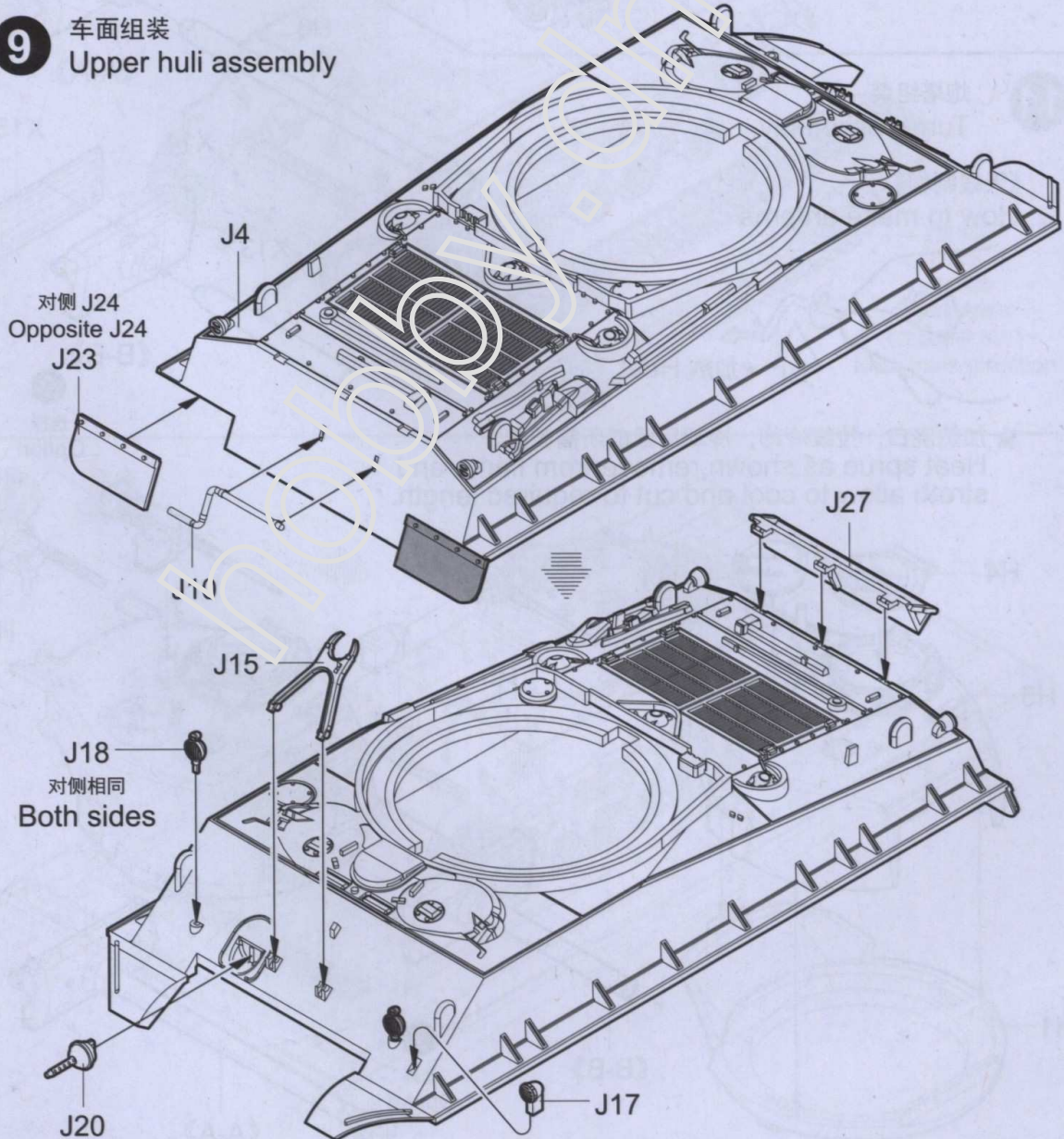
8

后板安装
Attaching rear panel

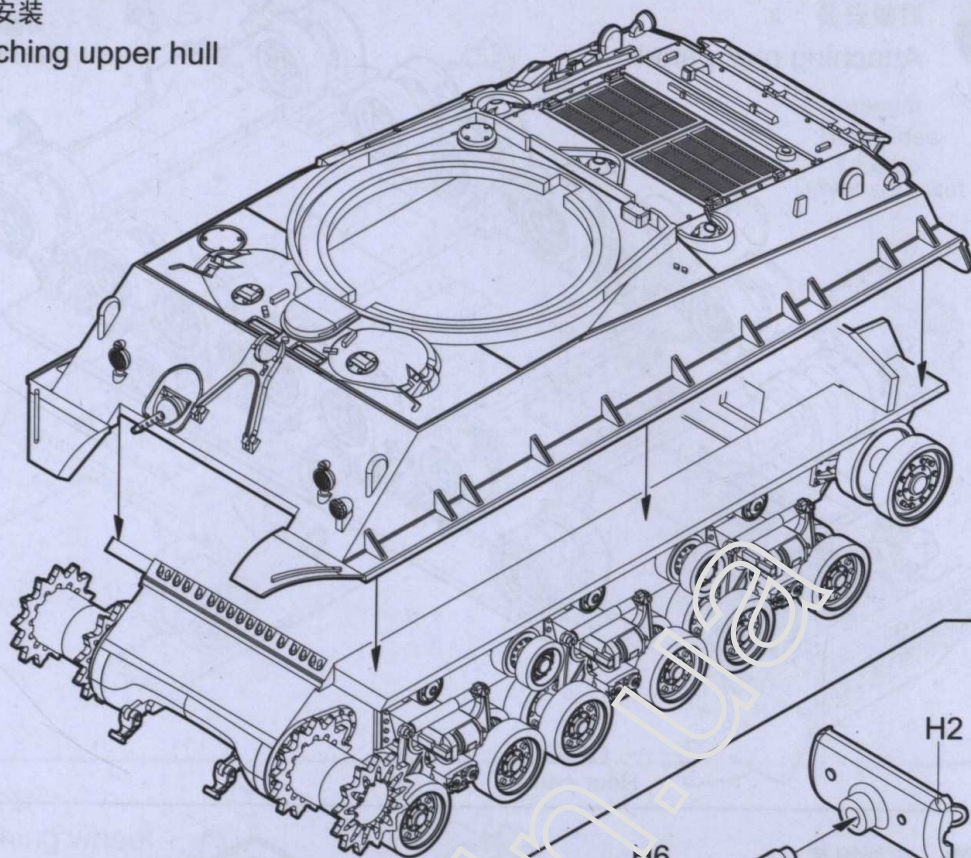


9

车面组装
Upper hull assembly



10 车面安装
Attaching upper hull

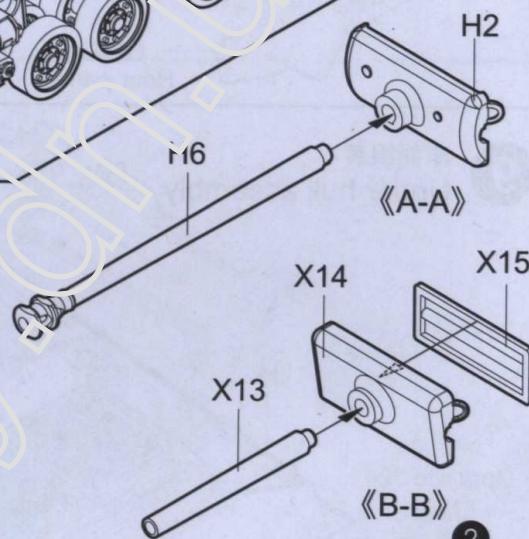


11 炮塔组装
Turret assembly

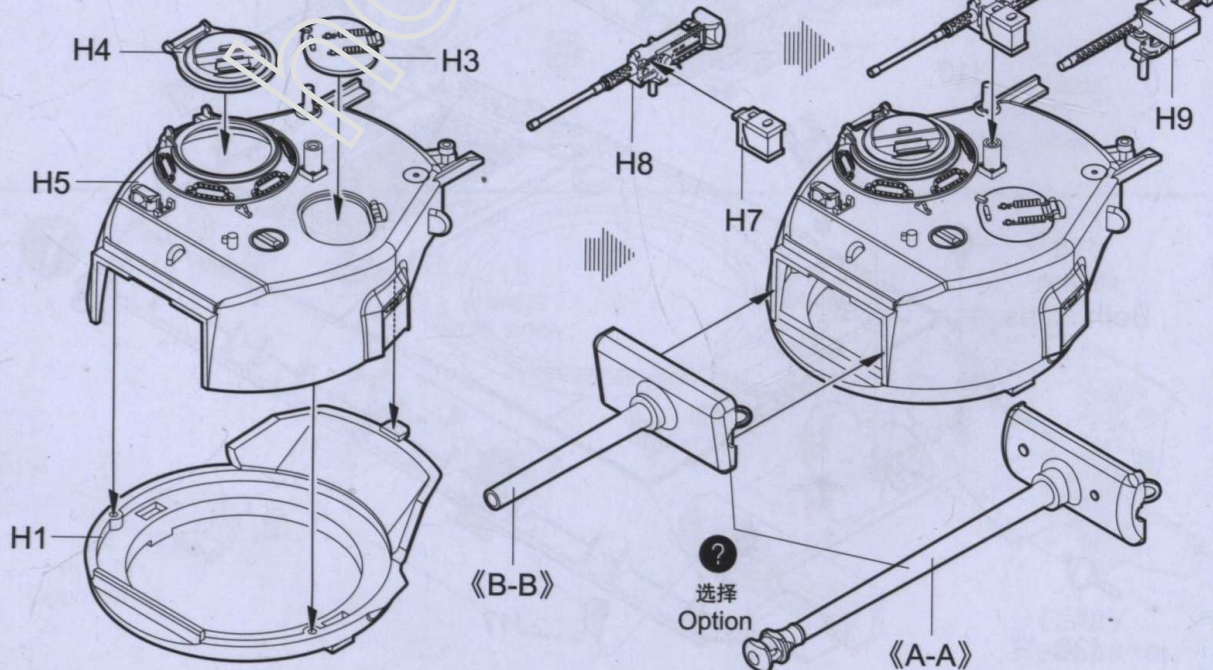
《天线制作》
How to make antenna



★加热浇口，拉线冷却，冷却后剪成所需长度。
Heat sprue as shown, remove from flame and stretch allow to cool and cut to required length.



?
选择
Option



?
选择
Option

12 T66 履带链接
T66 track construction

*履带可用塑料胶水粘合。

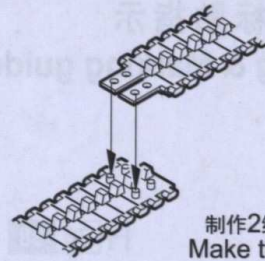
*履带可用模型油漆喷涂。

*若履带断裂，用细丝线固定。

*The tracks in this kit can be glued using plastic cement.

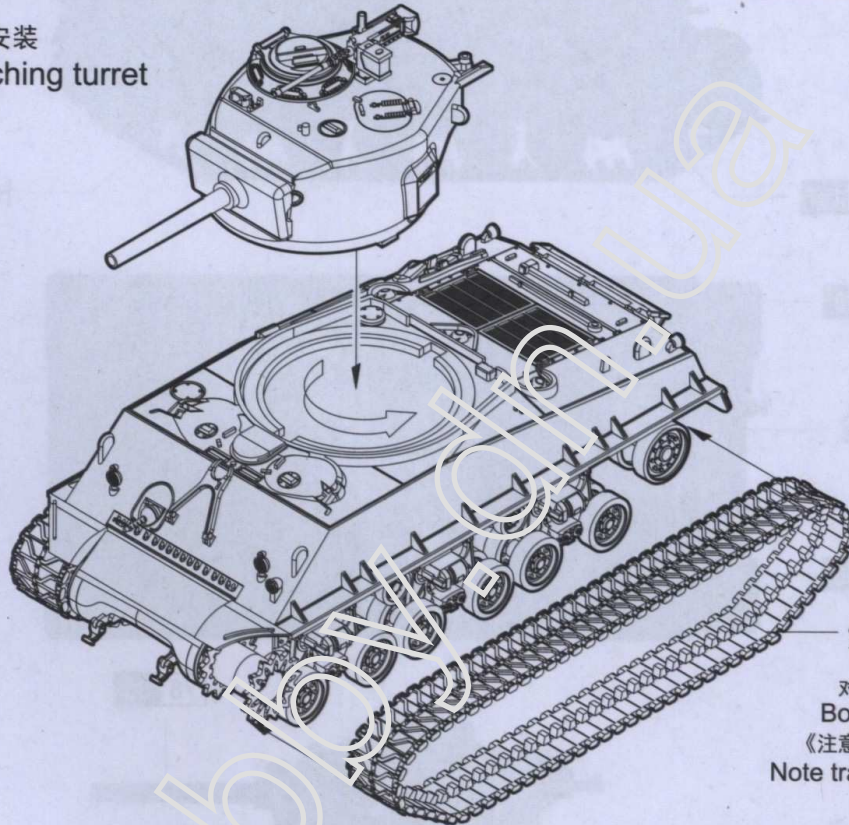
*The tracks can be painted using plastic paints.

*If track is broken strengthen with staples or thread.



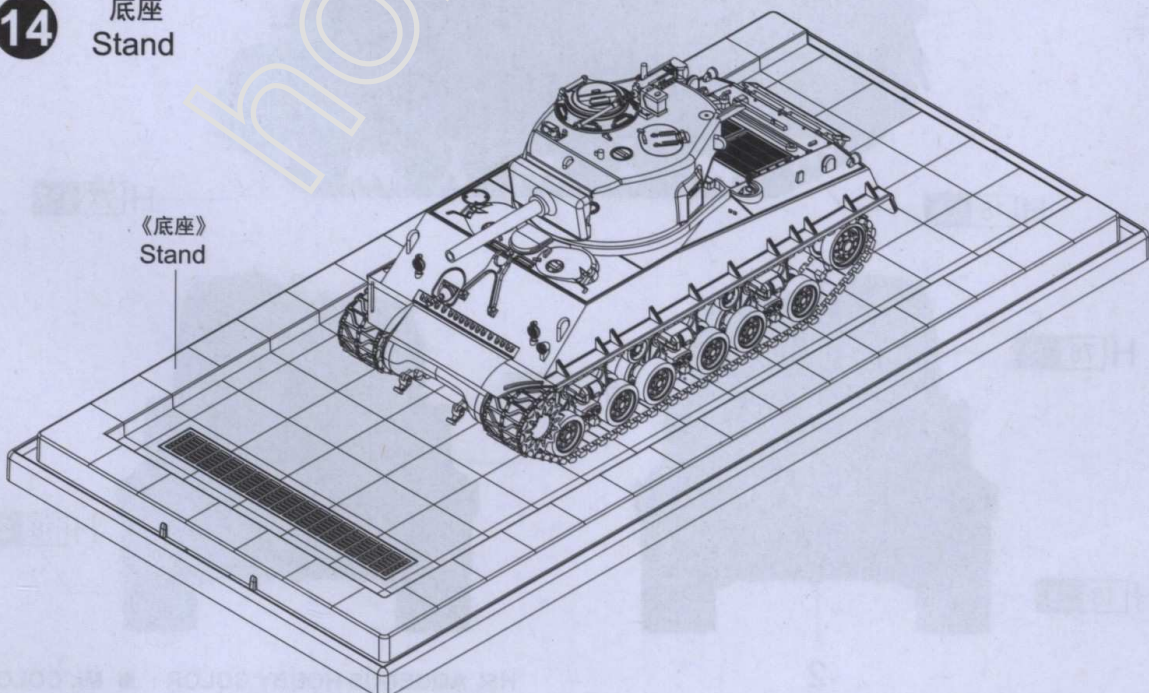
制作2组
Make two

13 炮塔安装
Attaching turret



《履带》
Track
对侧相同
Both sides
《注意履带方向》
Note track direction

14 底座
Stand

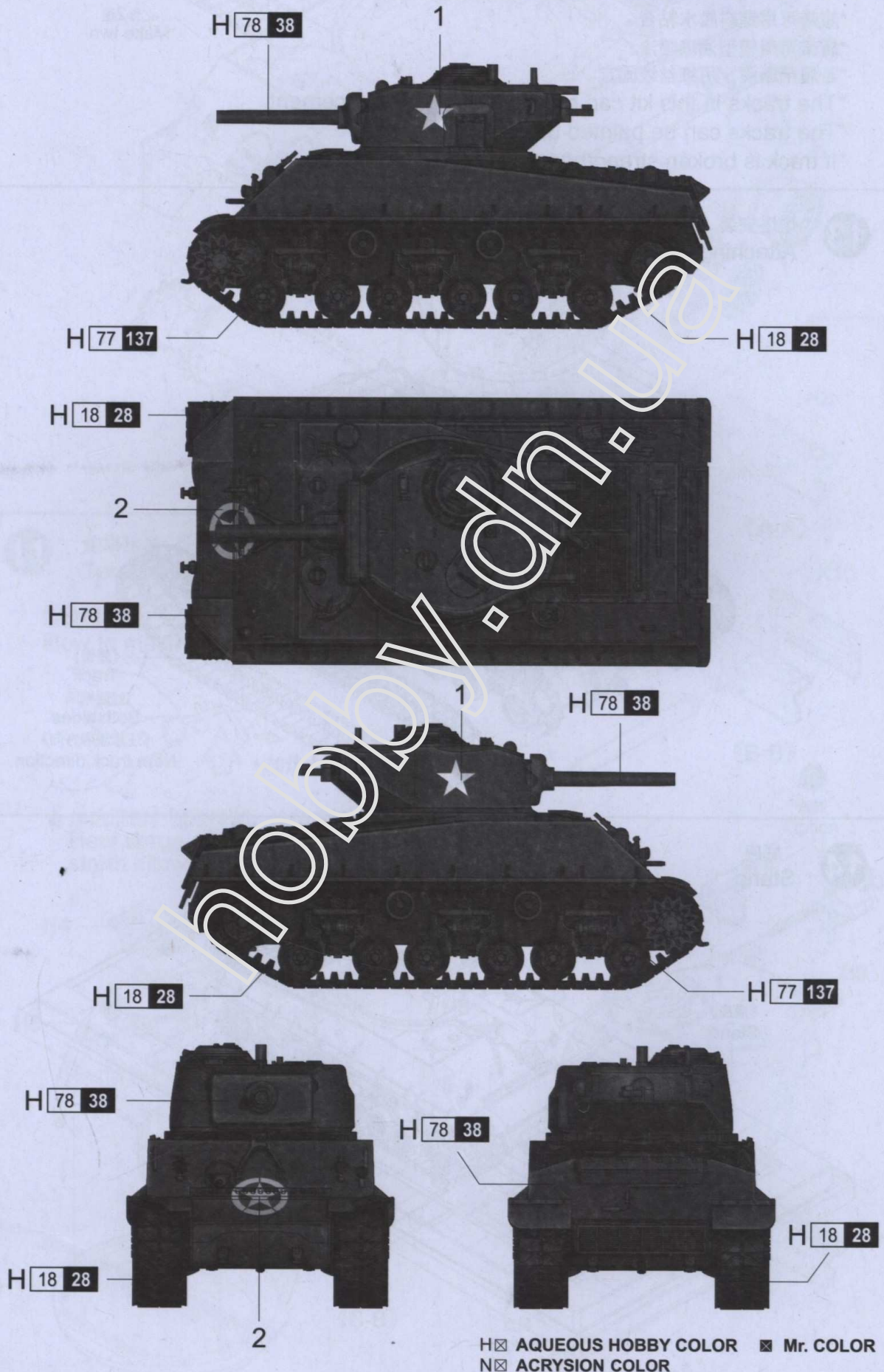


《底座》
Stand

涂装同标贴指示
Painting & Marking guide

PAINT REFERENCE COLOR

Color	Mr.Hobby	Acrycion	Vallejo	Model Master	Tamiya	Humbrol
Olive Drab(2) 橄榄色(2)	H 78 38	N 78	-	-	-	-
Steel 黑铁色	H 18 28	N 18	864	1402	-	-
Tire Black 胎黑色	H 77 137	N 77	-	-	-	-



涂装同标贴指示

Painting & Marking guide

PAINT REFERENCE COLOUR

Color	Mr.Hobby	Vallejo	Model Master	Tamiya	Humbrol
Flat Black 消光黑	H 12 33	950	1749	XF1	33
Yellow 黄色	H 4 4	953	1514	X8	69
Engine Gray 灰色	H 301 301	866	-	XF24	-



H AQUEOUS HOBBY COLOR Mr. COLOR