

1:72 SCALE

ITEM NO.:07223

M4 TANK Mid-Production

M4 中型坦克



READ BEFORE ASSEMBLY:

- This kit is not recommended for inexperienced modelers or for children under 14 years of age
- Study and understand these instructions thoroughly before beginning assembly
- When needed, remove photo-etch parts carefully using a modeling knife or photo etch sprue cutter, being careful not to damage or lose small parts.
- Take extra care in handling photo etch parts in order to avoid injury
- Apply instant cement sparingly to photo etch parts where instructed
- Tools recommended(not included in kit):Plastic and instant cements,sprue cutters,long nose pliers,,modeling knife, small files, tweezers, pin vise & scissors. Soft cloth and sandpaper will also assist in construction
- Glue and paint are not included in the kit. Use plastic cement and hobby paints only. Color guide for purchasing paint is included in the kit.
- Keep out of reach of small children. They must not be allowed to ingest small parts or handle plastic parts in any way.

装配之前仔细阅读

- 小心用模型锉刀锉平所有零件表面的注射浇口。
- 小心用刀片切下蚀刻片零件，不要遗失小零件。
- 用强力快干胶水粘合蚀刻片零件和金属轴。过量的快干胶水使用可能导致可动零件会粘住，小心涂胶。
- 使用刻片时特别注意安全，防止利边划伤手指。
- 某些零件表面需贴水上贴纸，请选择在装配的同时进行。
- 推荐模型工具(自备)：胶水，水口剪刀，长咀钳，刀片，锉刀，镊子，钳，钻，剪刀，瞬间快干胶。
- 软布同砂纸同时也应该是必备工具。
- 请使用塑料胶水和油漆，模型内不含。
- 谨防小孩吸吮塑料零件，或者将塑料袋套在头上，制作时应将套材远离小孩接触。
- 本产品不适合14岁以下没有经验的模型爱好者



cyanoacrylate glue  
使用强力胶



weight  
配重



make hole  
钻孔



cut / remove  
切除



bend  
弯曲



file / sand  
锉平



option  
选择



no cement  
不涂胶水



decal  
贴纸

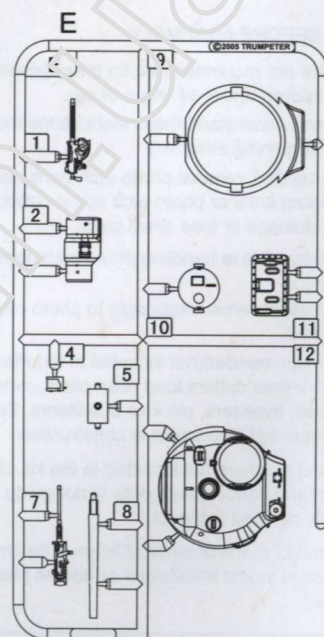
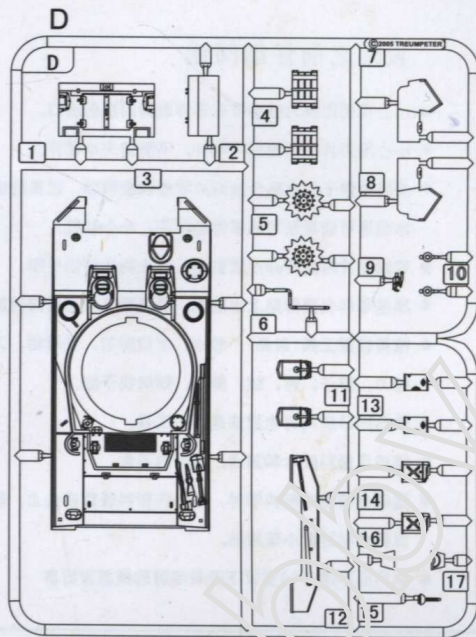
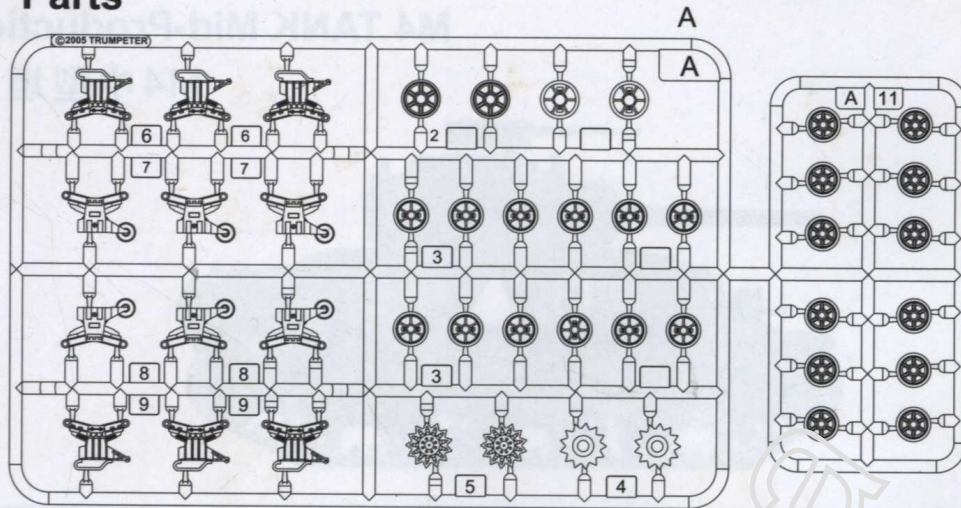
水贴纸的使用:

1. 从水贴纸上剪下印花;
2. 将印花放入温水中浸10秒，然后放在干净布上。
3. 拿着印花纸板将印花移到模型上;
4. 手指蘸水将印花移到适当的位置;
5. 用软布轻压印花直至水干，气泡消失。

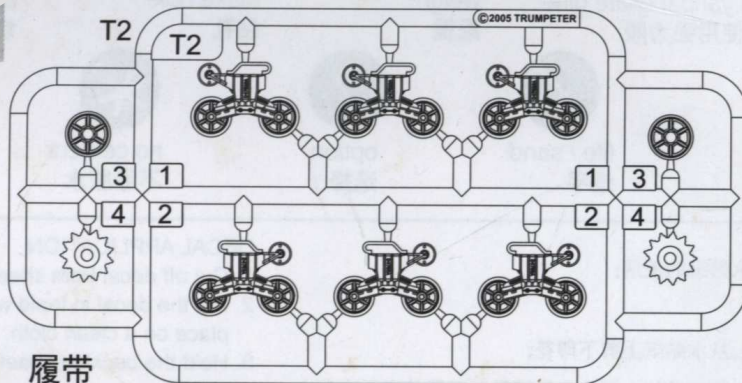
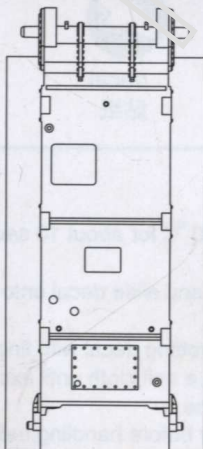
DECAL APPLICATION

1. Cut off decal from sheet.
2. Dip the decal in tepid water 40 °C for about 10 sec. and place on a clean cloth.
3. Hold the backing sheet edge and slide decal onto the model.
4. Move decal into position by wetting decal with finger.
5. Press decal gently down with a soft cloth until excess water and air bubbles are gone.
6. Allow decal to dry completely before handling model.

部品图  
Parts



贴  
Decal

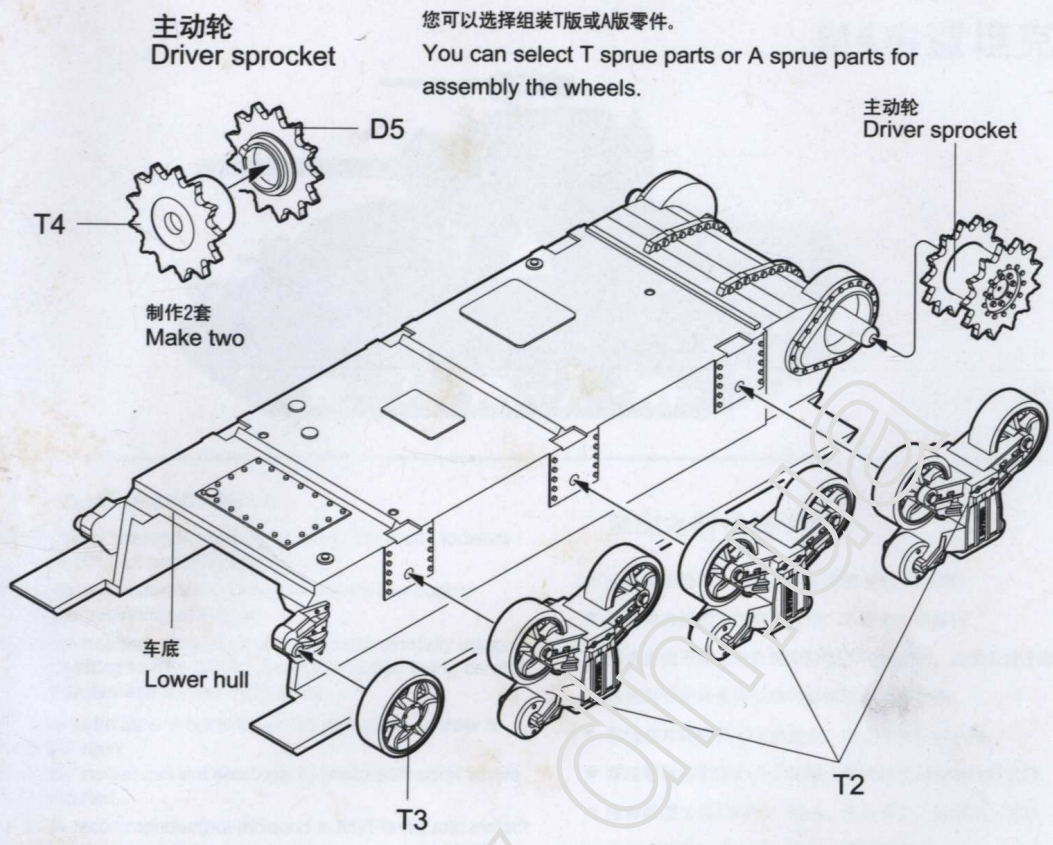


履带  
TrackX2

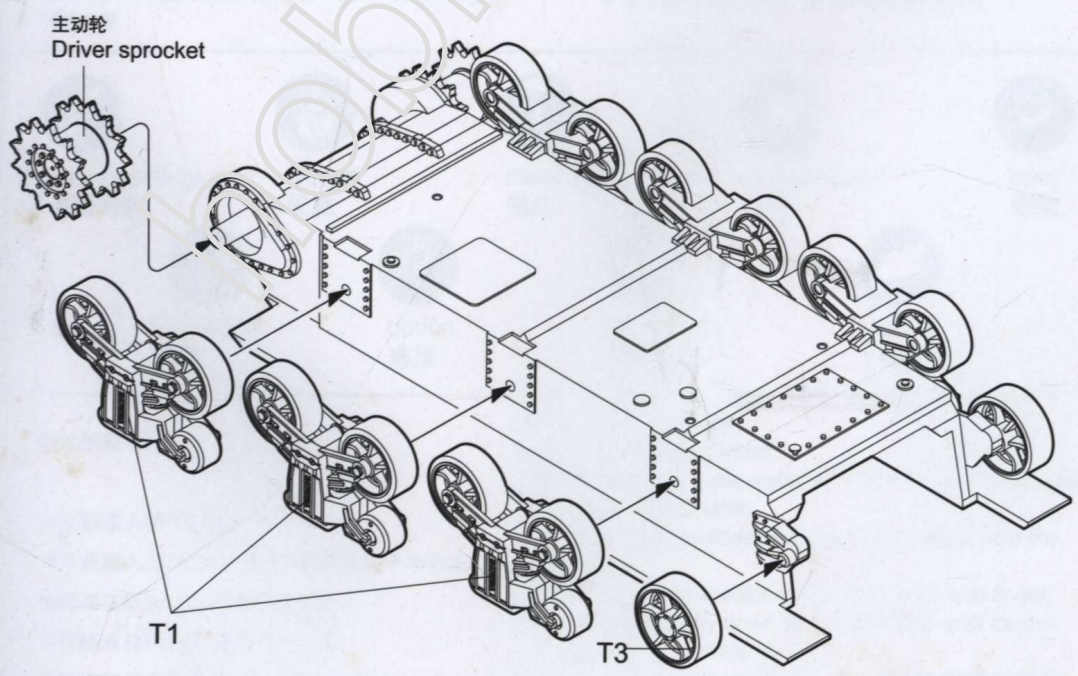


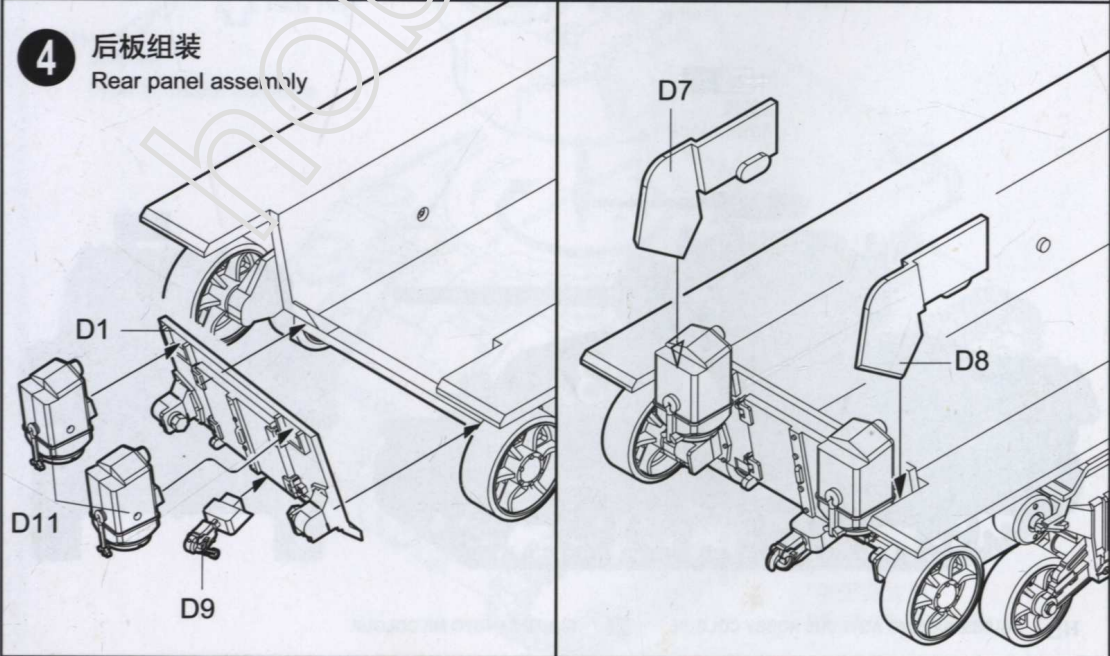
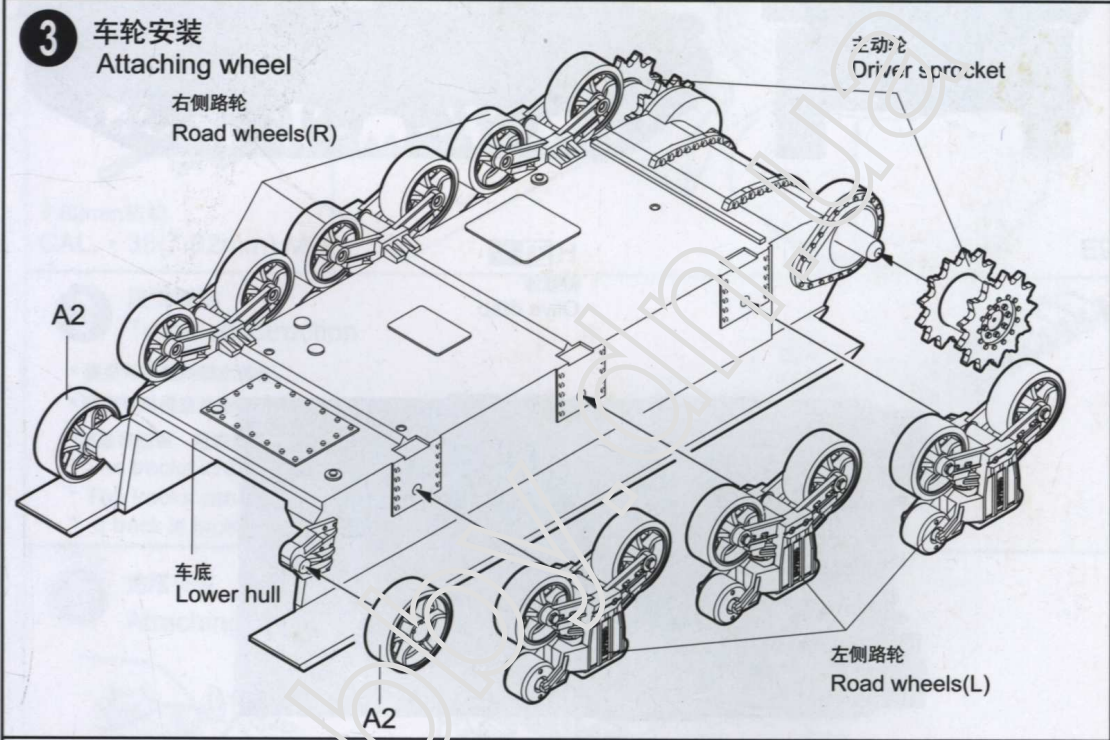
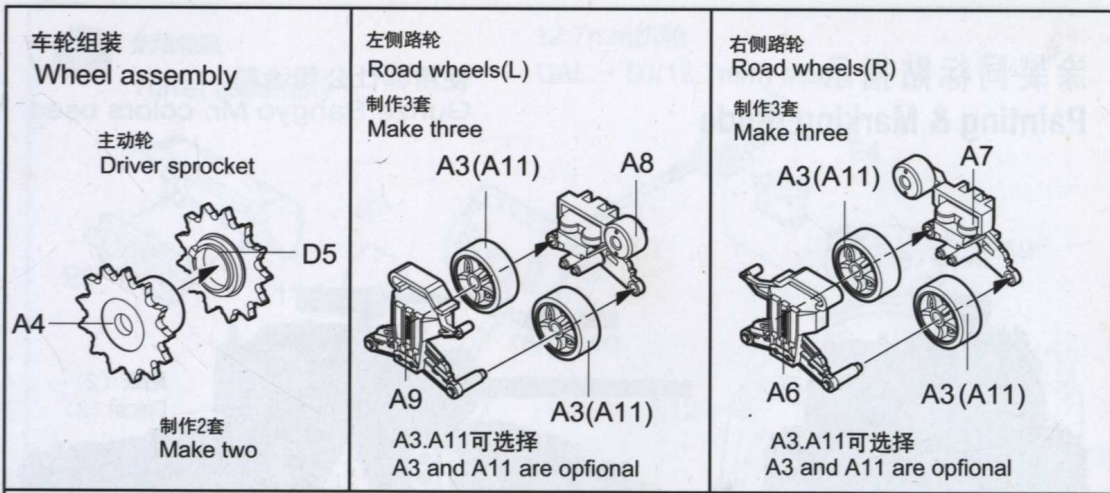
不用部品:  
No used parts:A5X2 D4X2 D13X2 D14X2

**1** 车轮安装  
Attaching left side wheel

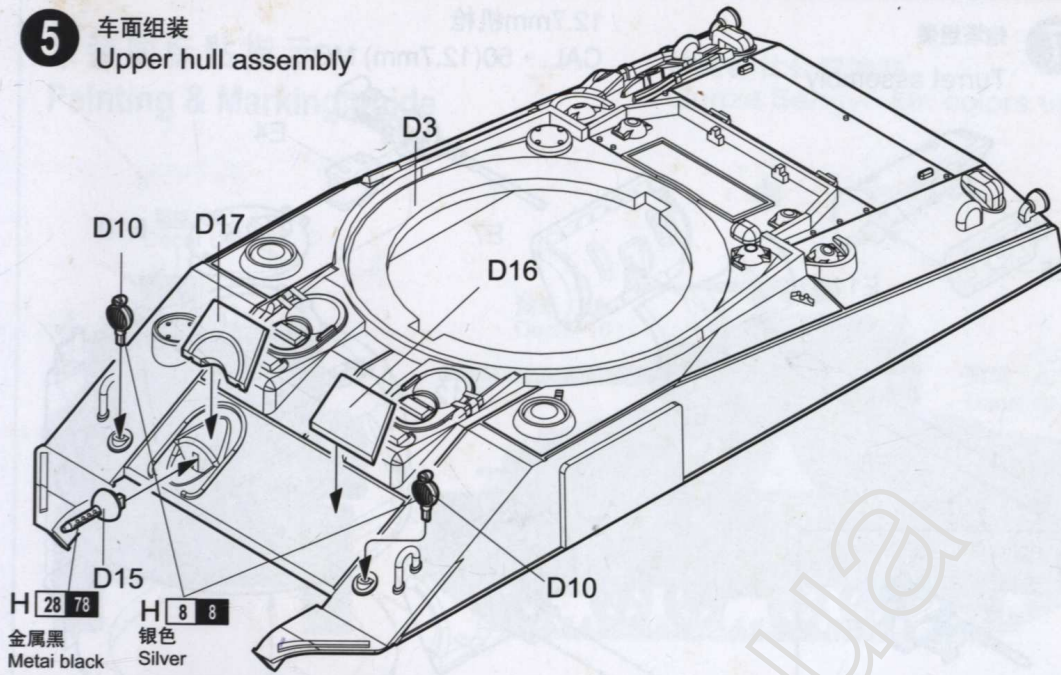


**2** 车轮安装  
Attaching right side wheels



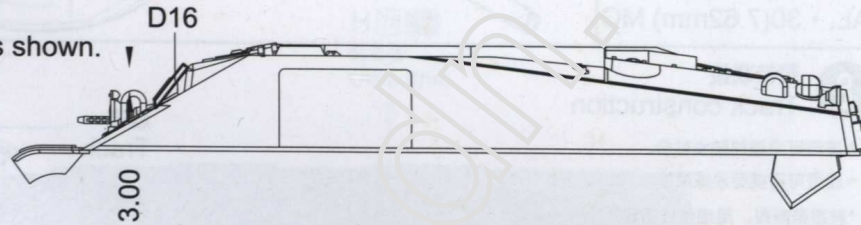


**5** 车面组装  
Upper hull assembly

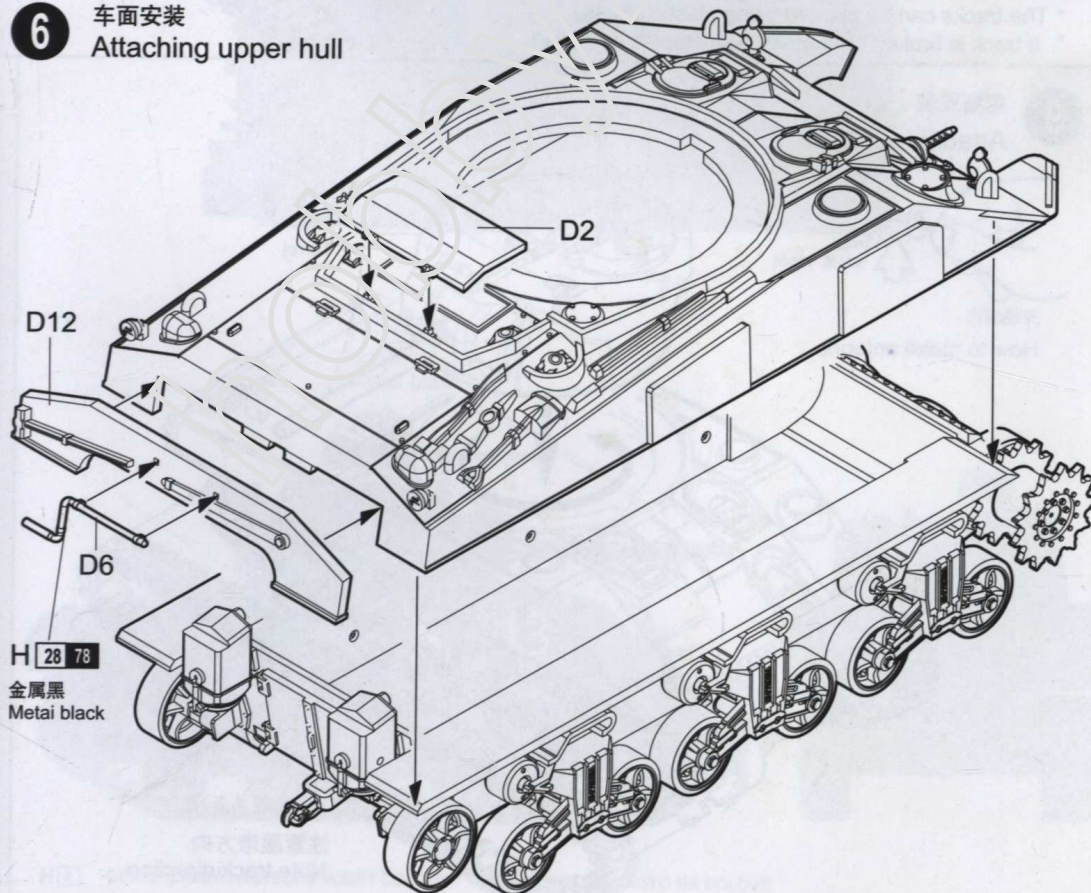


依图示定位D16。

Attach D16 as shown.

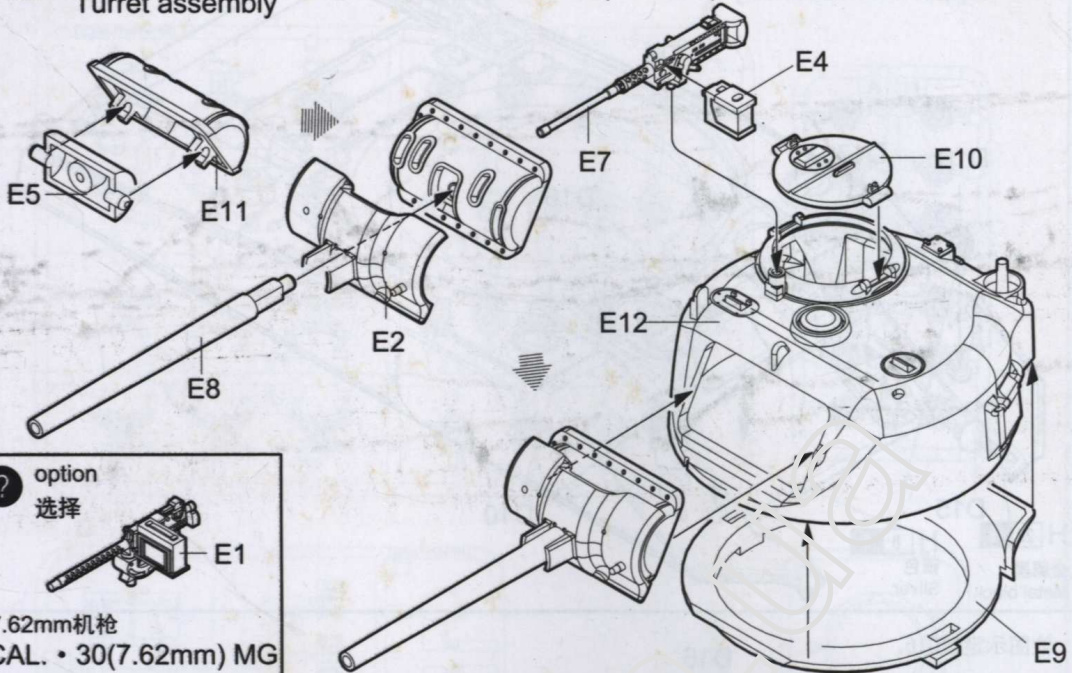


**6** 车面安装  
Attaching upper hull



**7** 炮塔组装  
Turret assembly

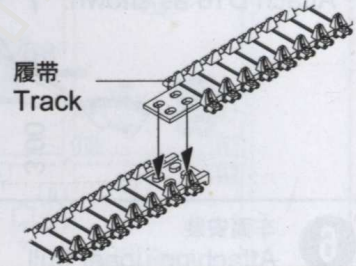
12.7mm机枪  
CAL. • 50(12.7mm) MG



**option**  
选择  
7.62mm机枪  
CAL. • 30(7.62mm) MG

**8** 履带联接  
Track construction

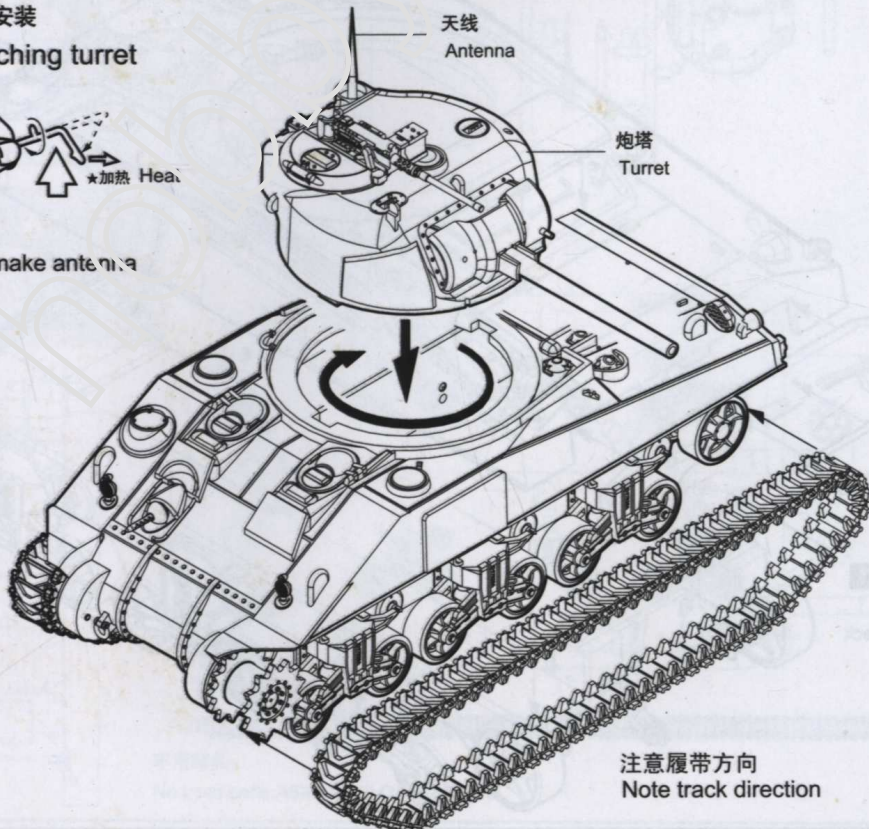
- \* 履带可用塑料胶水粘合。
- \* 履带可用模型油漆喷涂。
- \* 若履带断裂，用细丝线固定。
- \* The tracks can be glued using plastic cement.
- \* The tracks can be painted using plastic paints
- \* If track is broken strengthen with staples or thread.



**9** 炮塔安装  
Attaching turret

天线制作  
How to make antenna

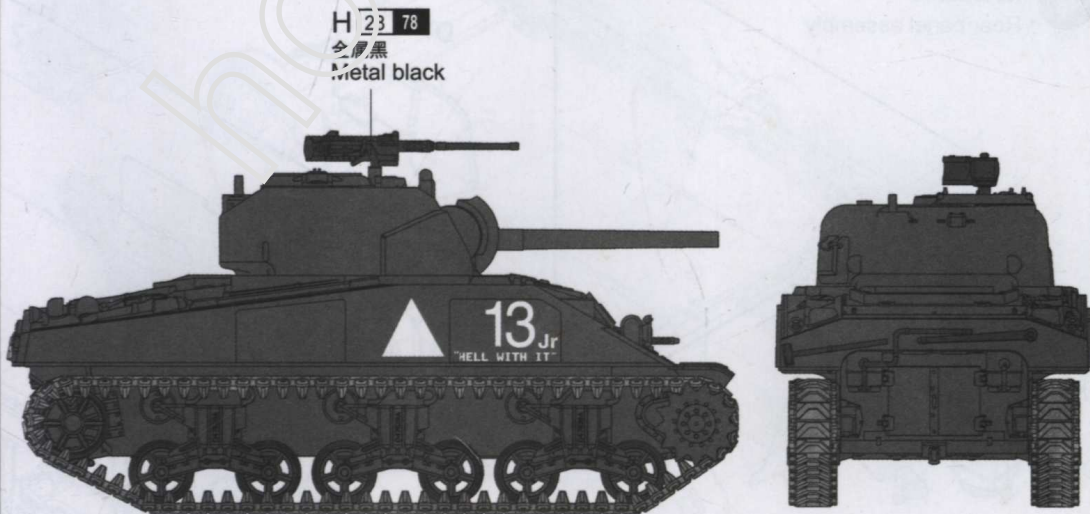
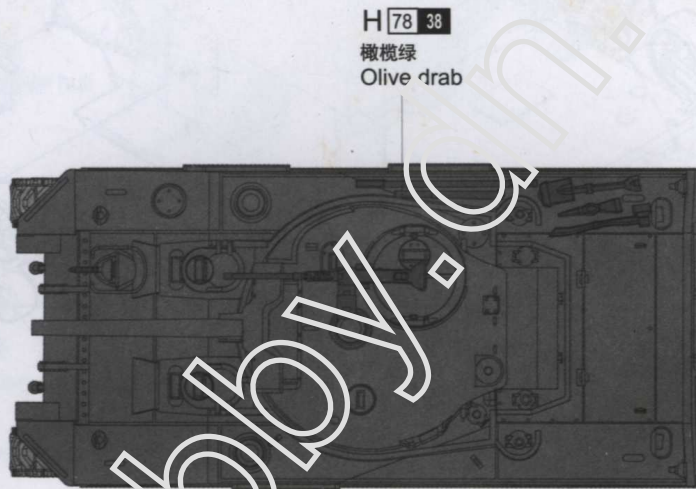
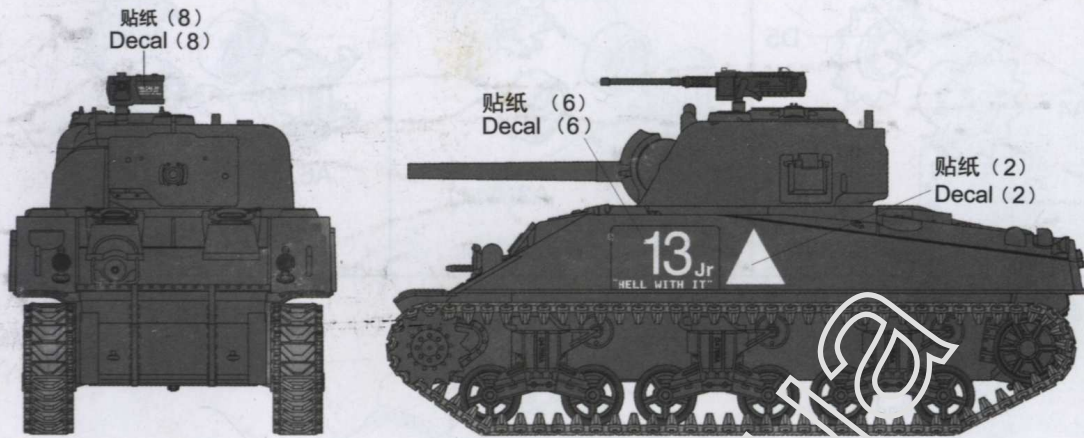
★加热 Heat



注意履带方向  
Note track direction

涂装同标贴指示  
Painting & Marking guide

使用郡仕公司涂料  
Gunze Sangyo Mr. colors used



H [X] GUNZE SANGYO AQVEOUS HOBBY COLOUR    X [ ] GUNZE SANGYO MR COLOUR