

1/35 SCALE

ITEM NO.:09516



# South African Rooikat AFV

## 南非大山猫轮式装甲车

### READ BEFORE ASSEMBLY:

- Study and understand these instructions thoroughly before beginning assembly
- When needed, remove photo-etch parts carefully using a modeling knife or photo etch sprue cutter, being careful not to damage or lose small parts.
- Take extra care in handling photo etch parts in order to avoid injury
- Apply instant cement sparingly to photo etch parts where instructed
- Tools recommended(not included in kit):Plastic and instant cements, sprue cutters,long nose pliers,modeling knife, small files, tweezers, pin vise & scissors. Soft cloth and sandpaper will also assist in construction.
- Glue and paint are not included in the kit. Use plastic cement and hobby paints only. Color guide for purchasing paint is included in the kit.

### 装配之前仔细阅读

- 小心用模型锉刀锉平所有零件表面的注射浇口。
- 小心用刀片切下蚀刻片零件，不要遗失小零件。
- 用强力快干胶水粘合蚀刻片零件和金属轴。过量快干胶水使用可能导致可动零件会粘住，小心涂胶。
- 取蚀刻片时应特别注意安全，防止利边划伤手指。
- 某些零件表面需贴上水贴纸，请选择在装配的同时进行。
- 推荐模型工具(自备)：胶水，水口剪刀，长咀钳，刀片，锉刀，镊子，钳，钻，剪刀，瞬间快干胶。
- 软布同砂纸同时也应该是必备工具。
- 请使用塑料胶水和油漆，模型内不含。



配重  
Weight



使用强力胶  
Cyanoacrylate glue



钻孔  
Make hole



切除  
Cut / Remove



贴纸  
Decal



锉平  
File / Sand



选择  
Option



不涂胶水  
No cement



弯曲  
Bend



先装  
Install it first

### 水贴纸的使用:

- 1.从水贴纸上剪下印花;
- 2.将印花放入温水中浸10秒, 然后放在干净布上。
- 3.拿着印花纸板将印花移到模型上;
- 4.手指蘸水将印花移到适当的位置;
- 5.用软布轻压印花直至水干, 气泡消失

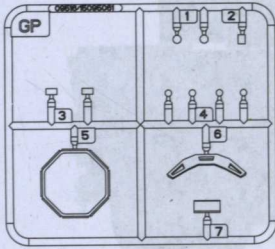
### DECAL APPLICATION

- 1.Cut decals from sheet as needed
- 2.Dip the decal in warm water for about 10 seconds and then place on soft clean cloth.
- 3.Hold the decal backing sheet edge and gently slide the decal onto the model in its proper position.

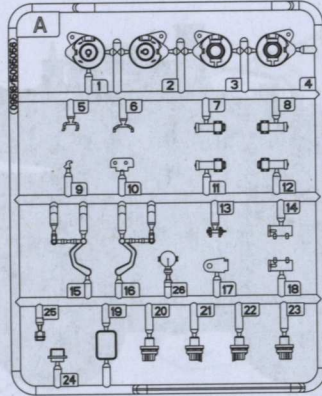
- 4.While still wet,decal can be adjusted for better fit on model by dampening it gently with your finger.
- 5.When placed in the proper position,gently press decal down with a soft cloth until excess water and air bubbles are gone.
- 6.Allow decal to dry completely before handling model

《部品图》  
Parts

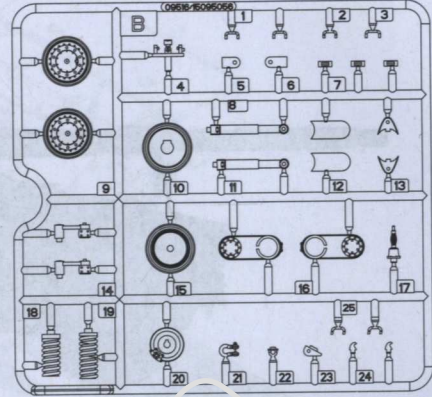
GPx1



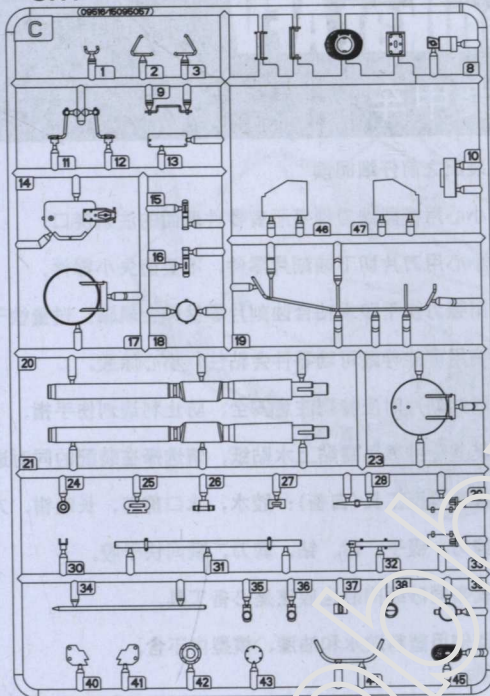
Ax2



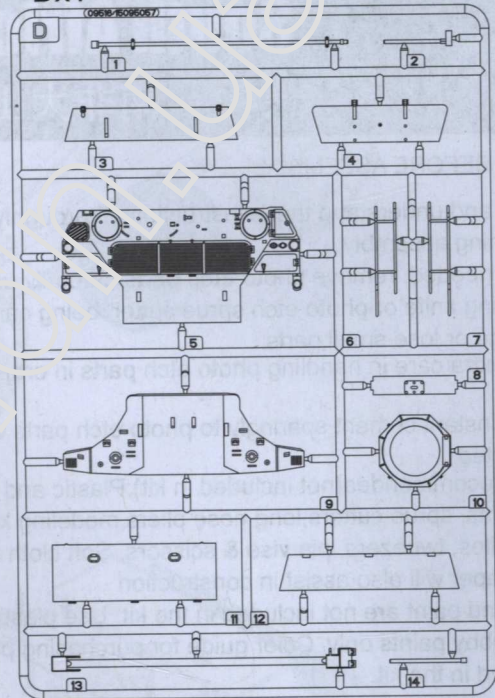
Bx4



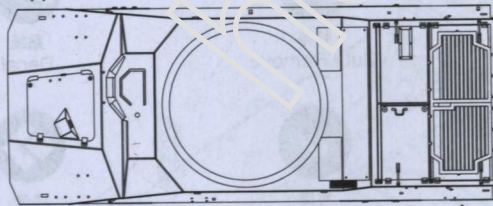
Cx1



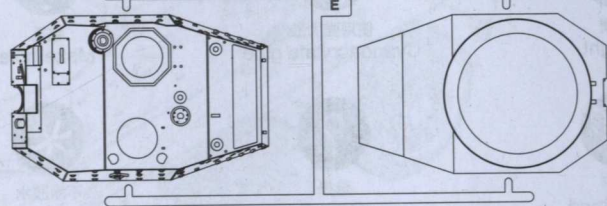
Dx1



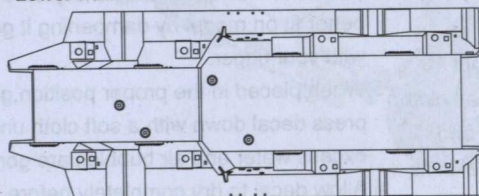
《车面》  
Upper hull



Ex1



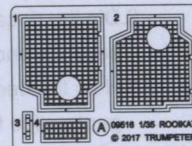
《车底》  
Lower hull



《轮胎》  
Tyre x8



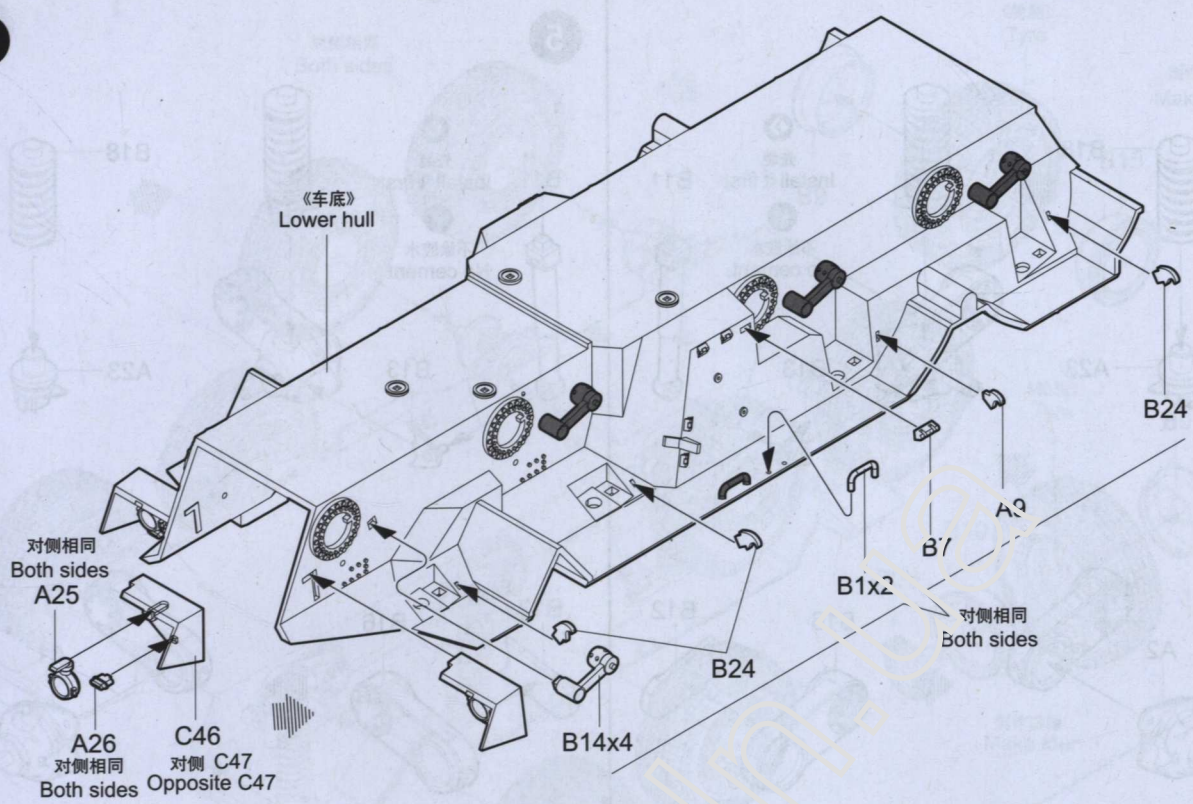
蚀刻片A  
PE-A



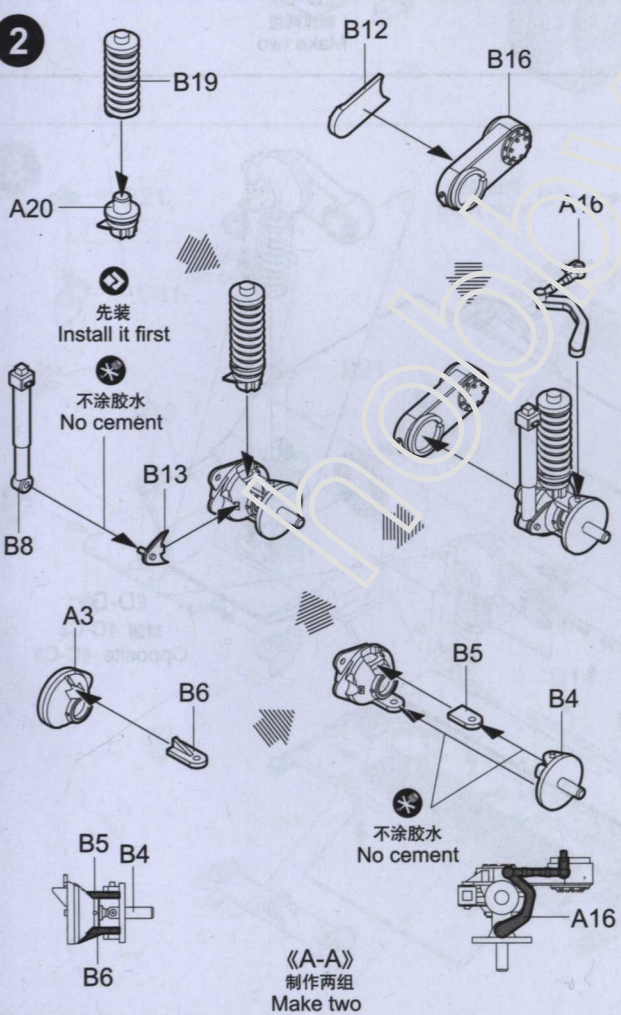
《水贴》  
Decal



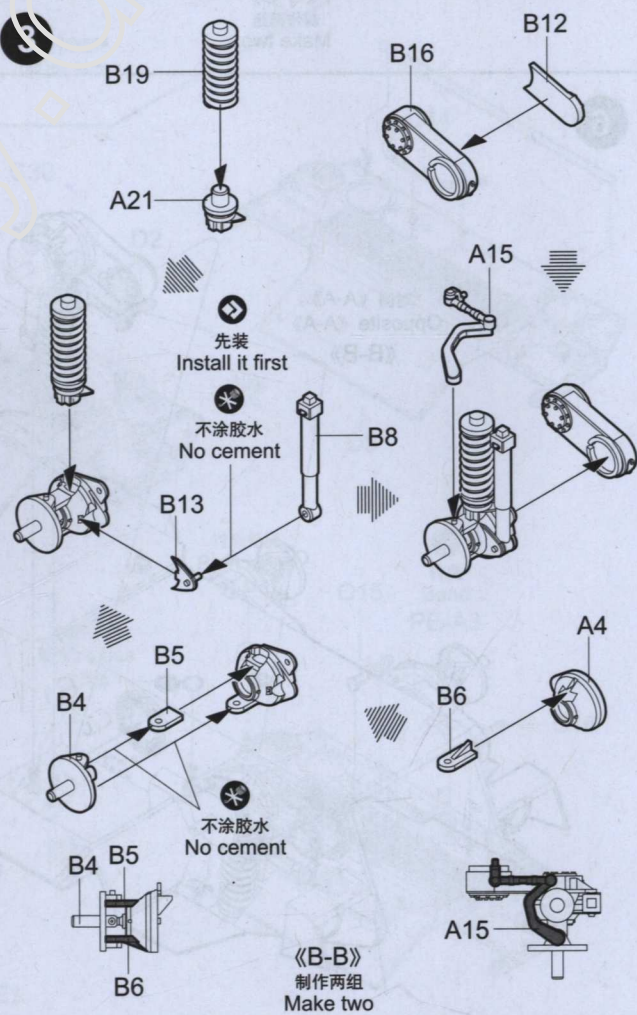
1



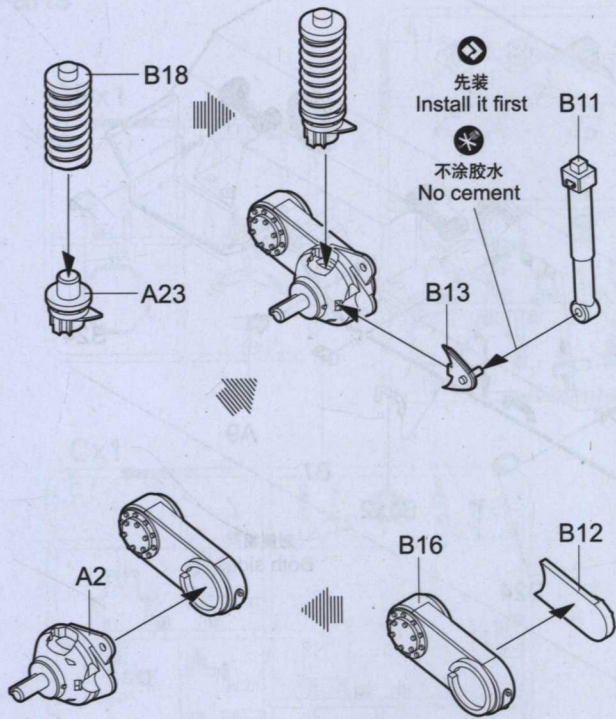
2



3



4

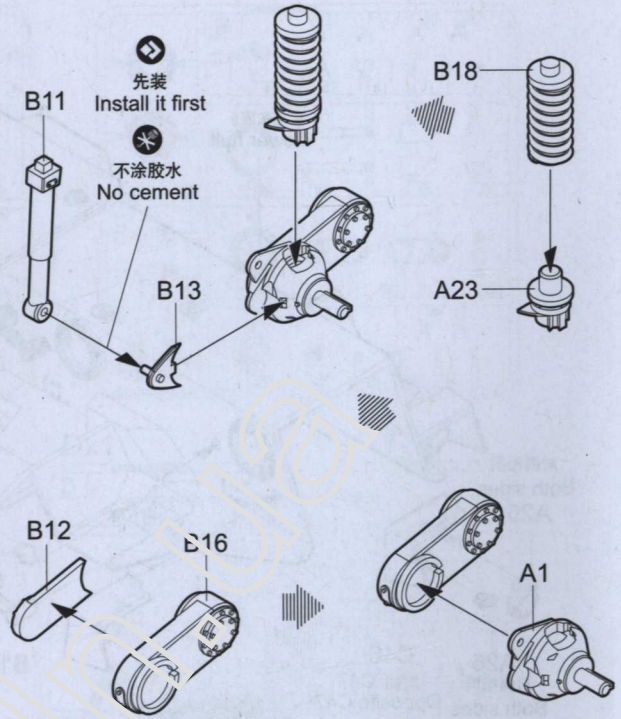


先装  
Install it first

不涂胶水  
No cement

《C-C》  
制作两组  
Make two

5

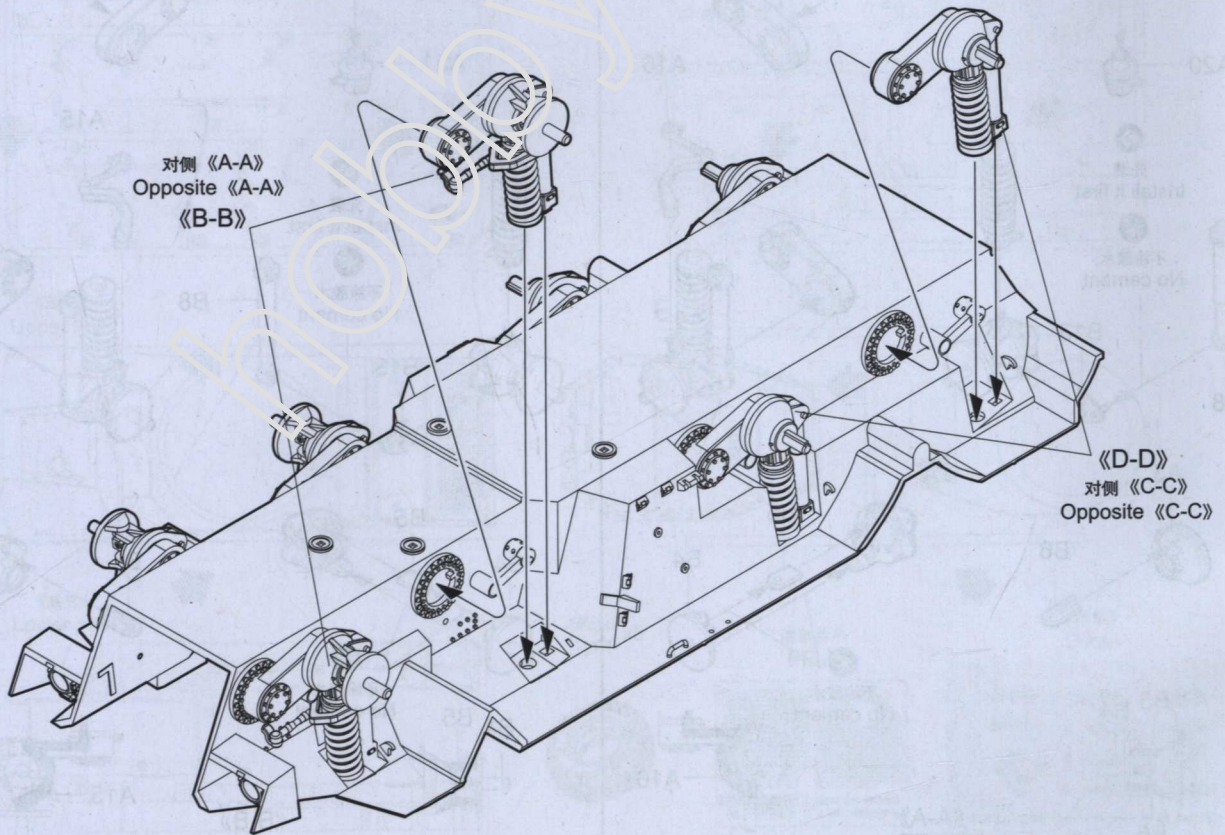


先装  
Install it first

不涂胶水  
No cement

《D-D》  
制作两组  
Make two

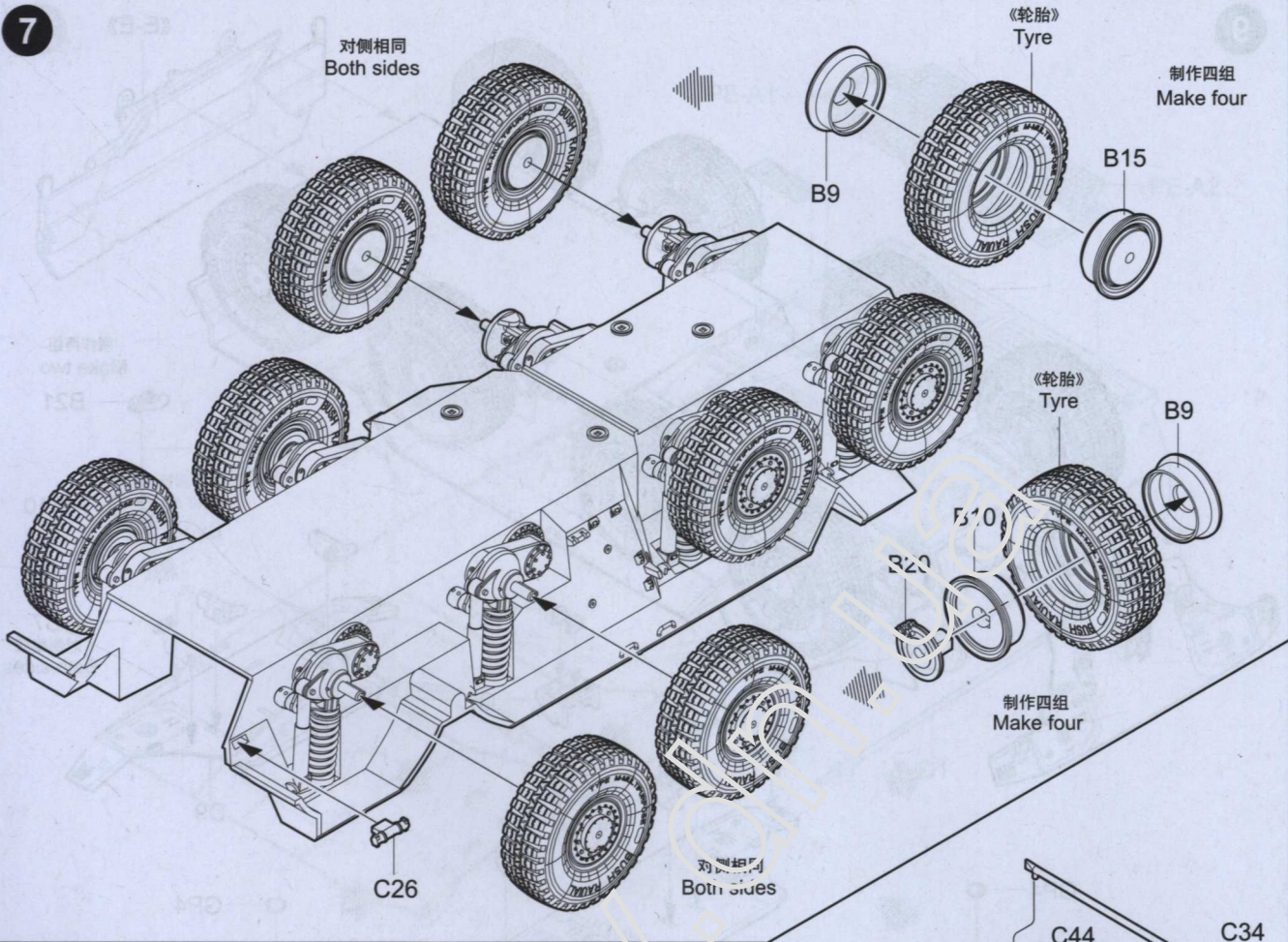
6



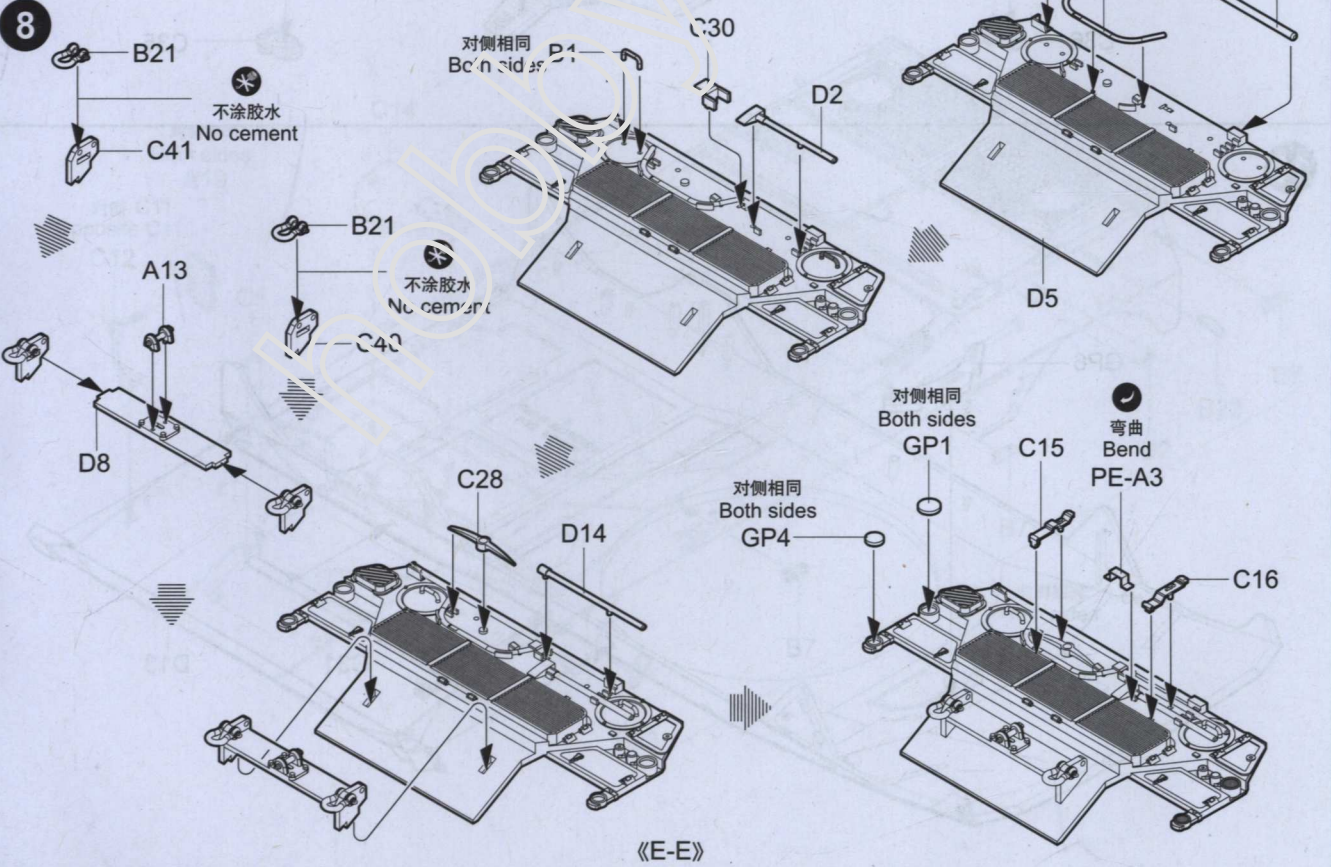
对侧 《A-A》  
Opposite 《A-A》  
《B-B》

《D-D》  
对侧 《C-C》  
Opposite 《C-C》

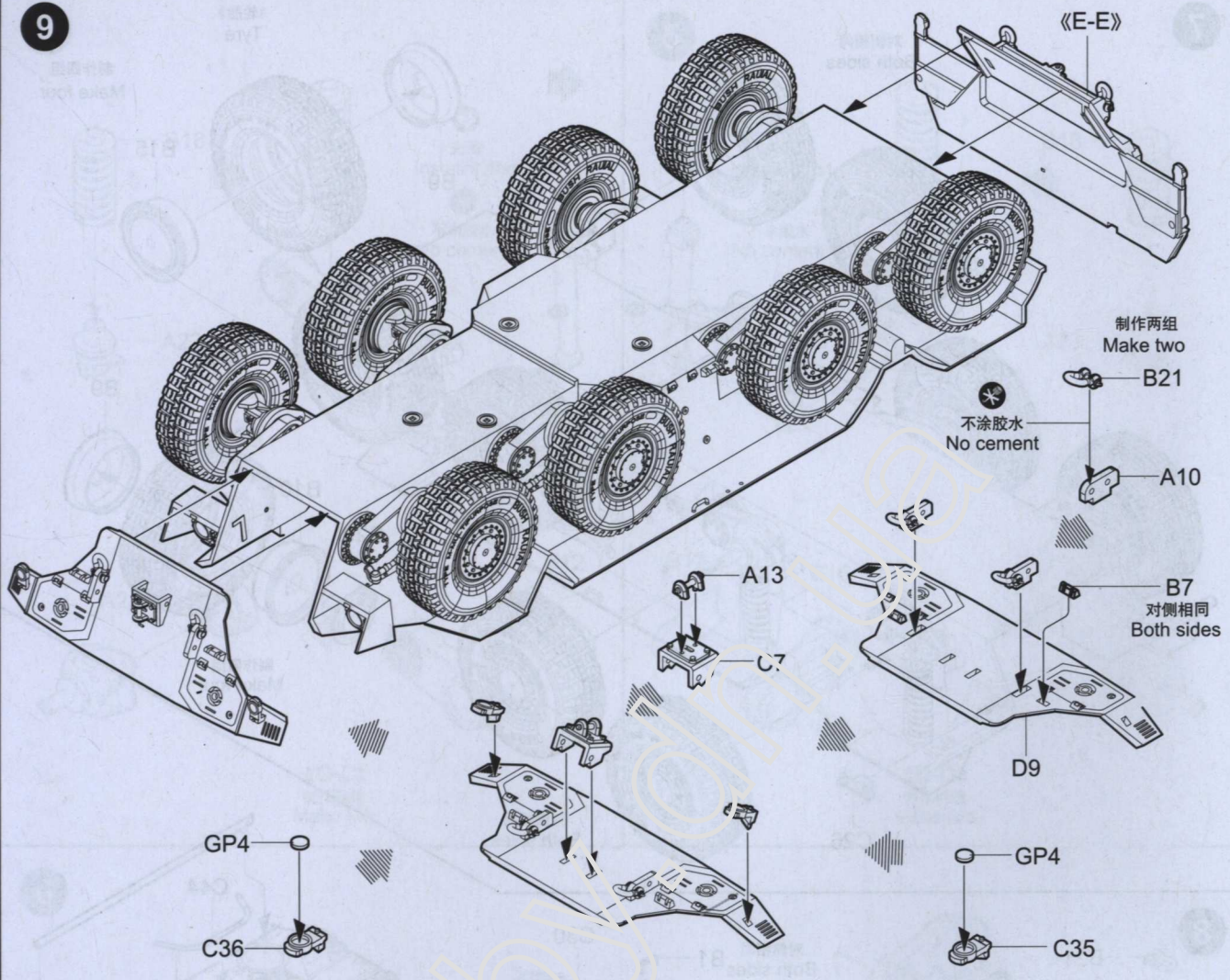
7



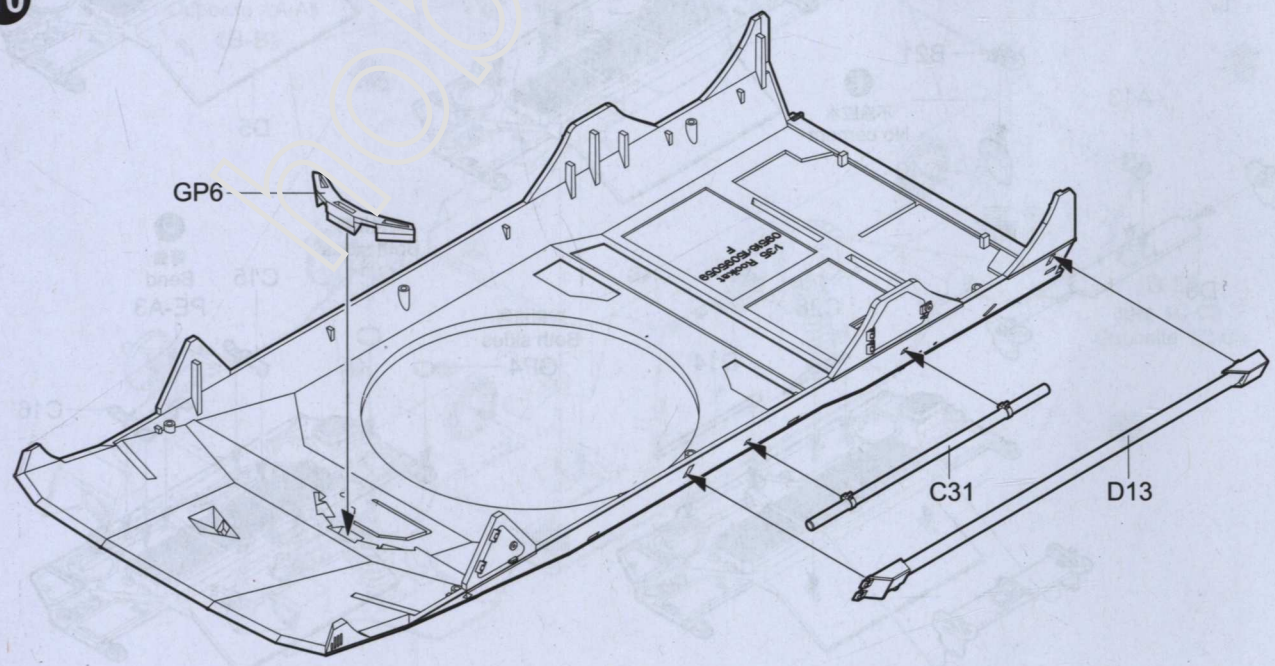
8



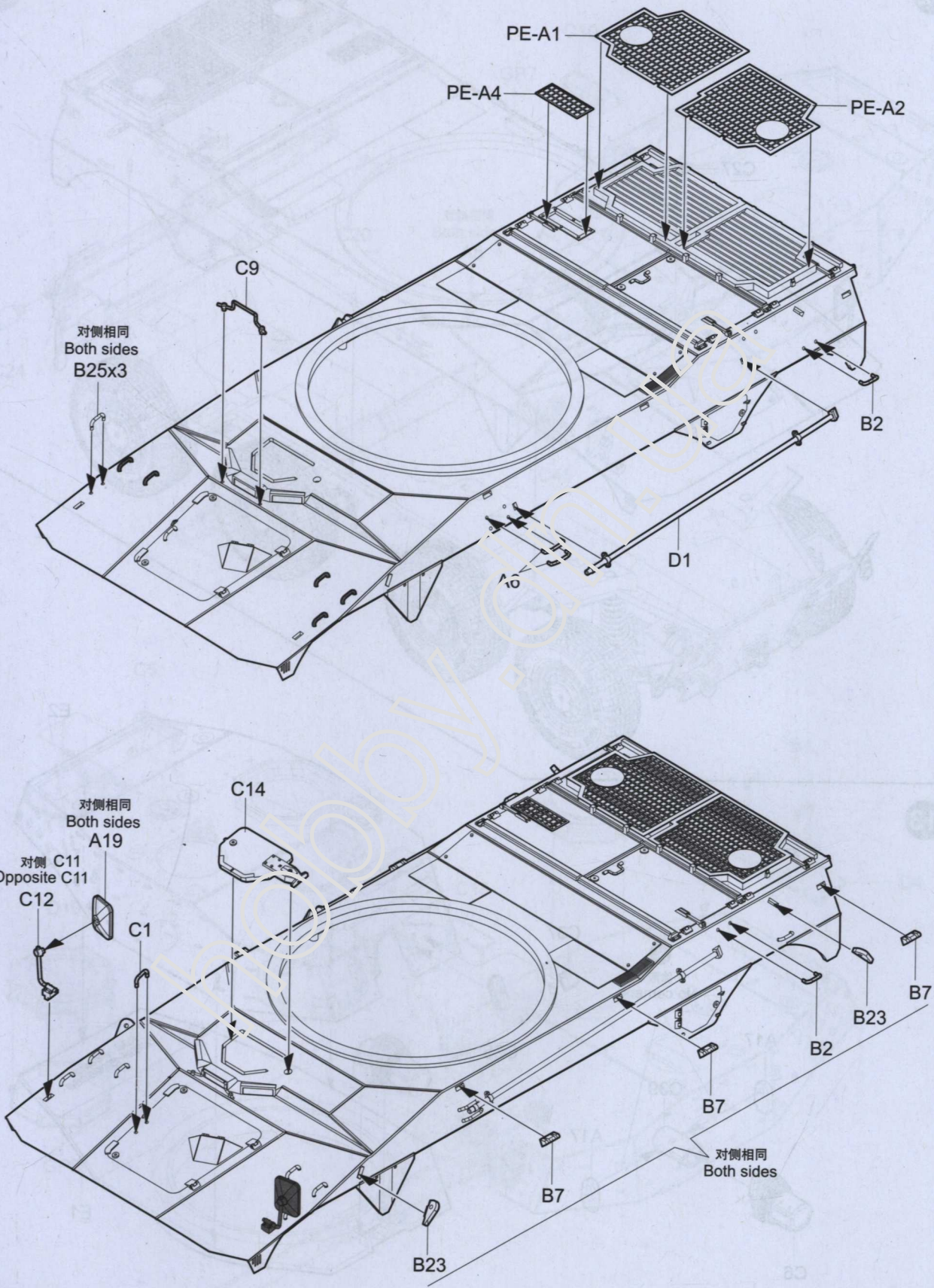
9



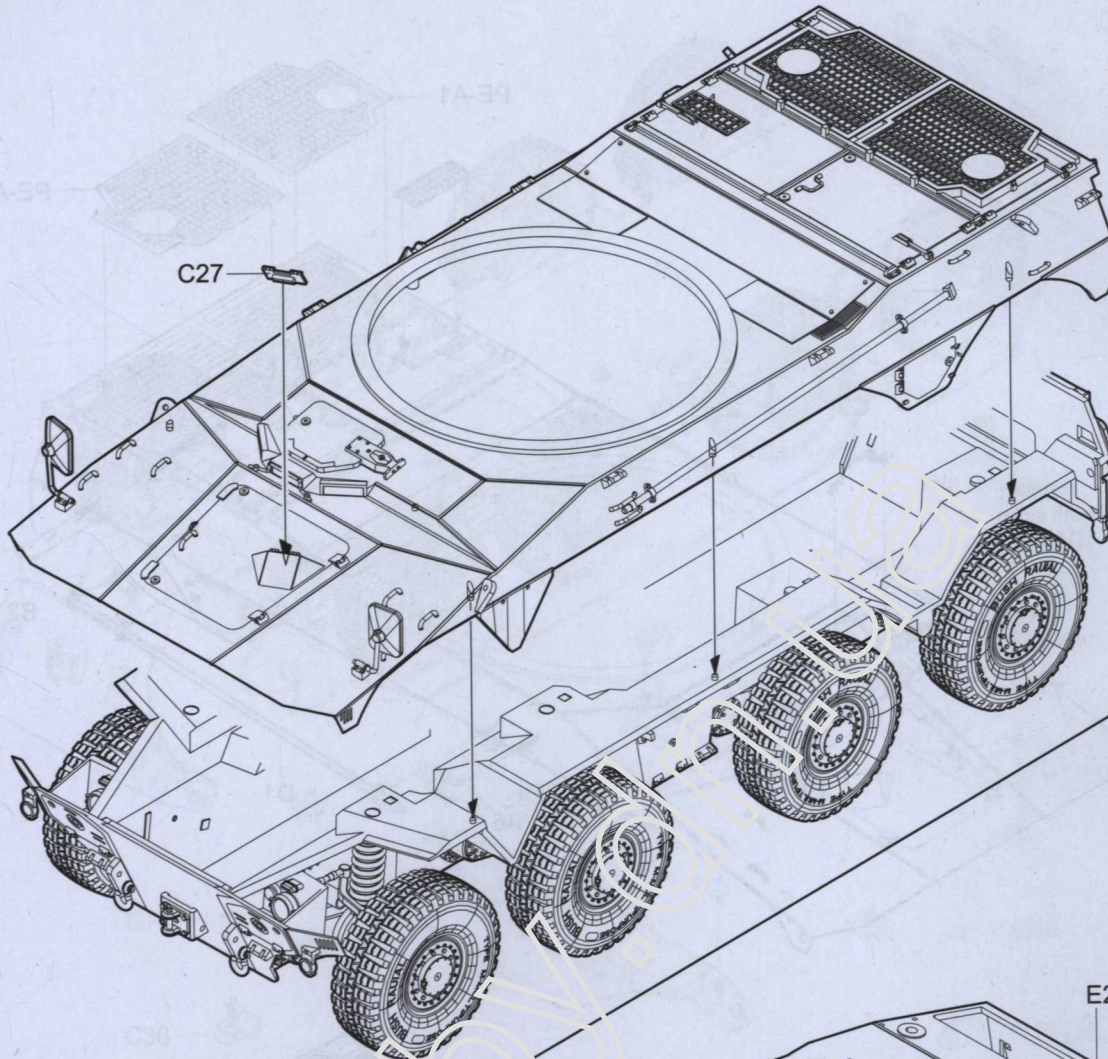
10



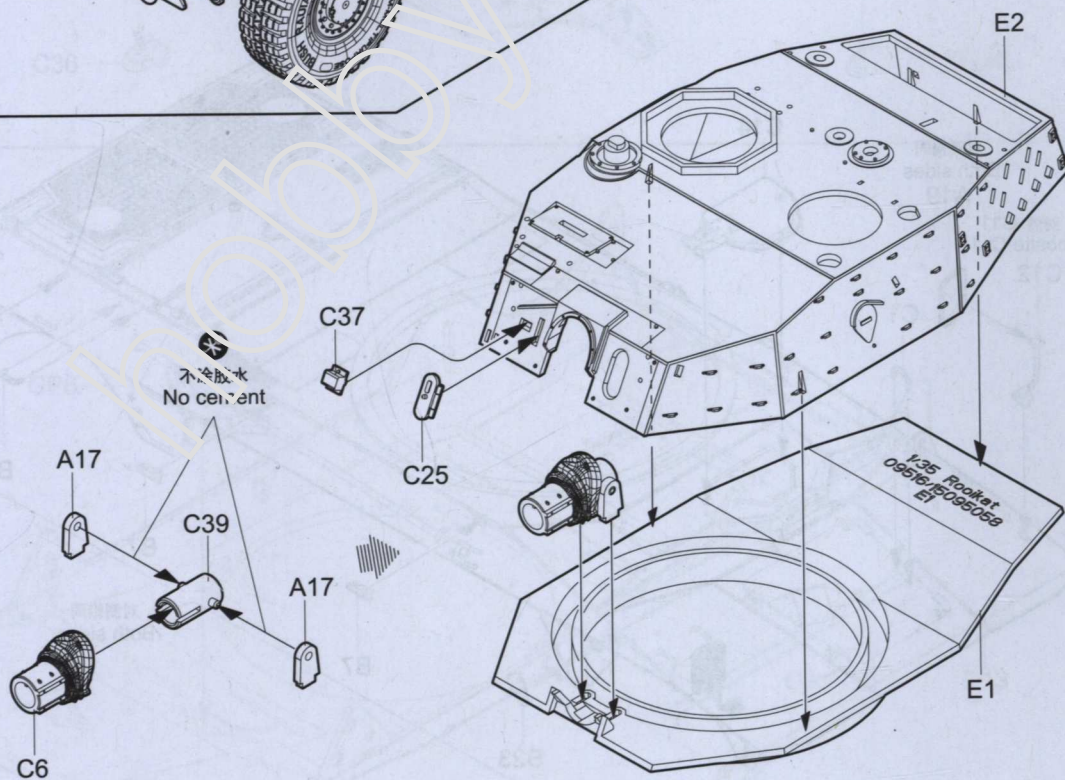
11



12

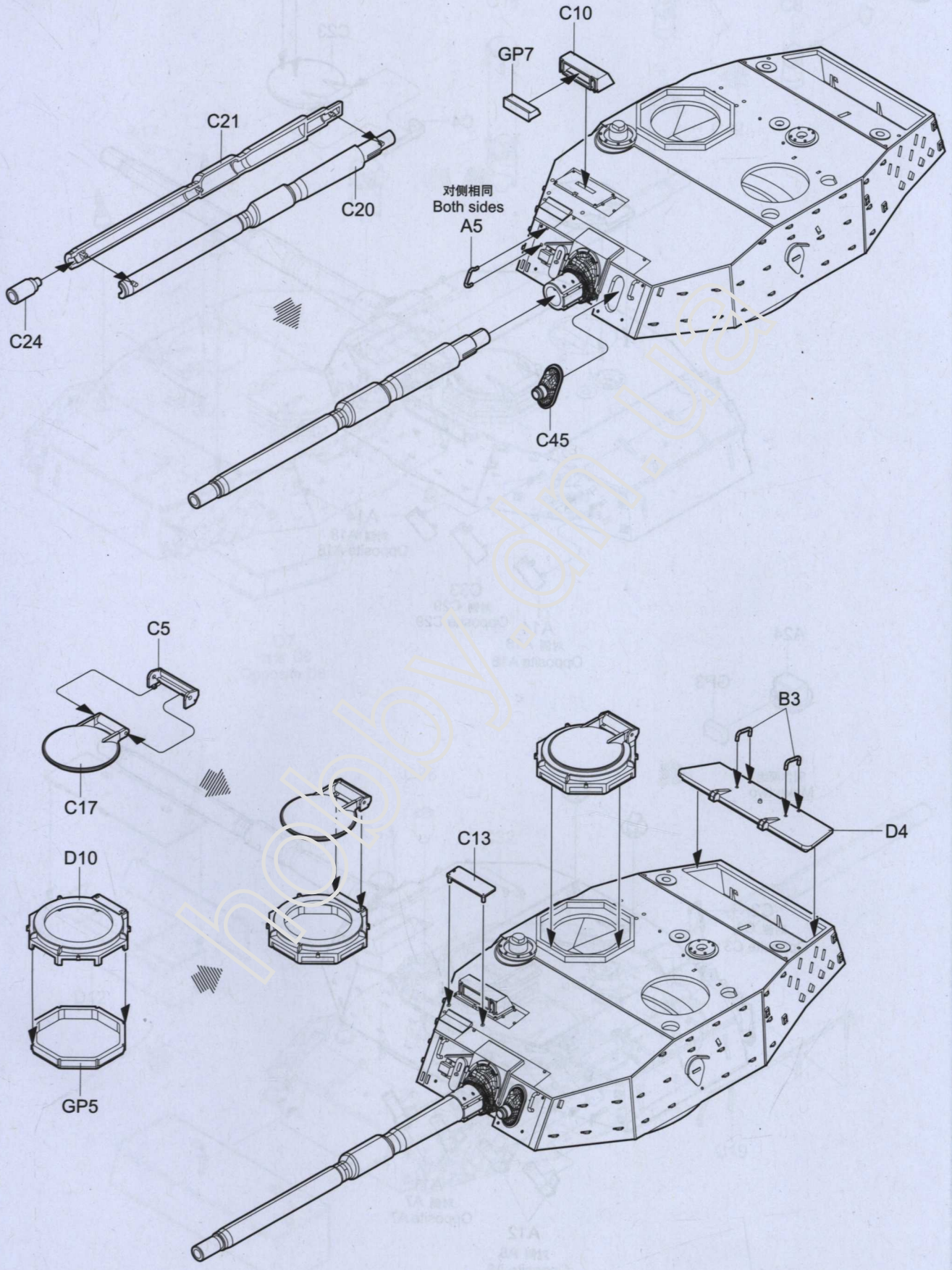


13

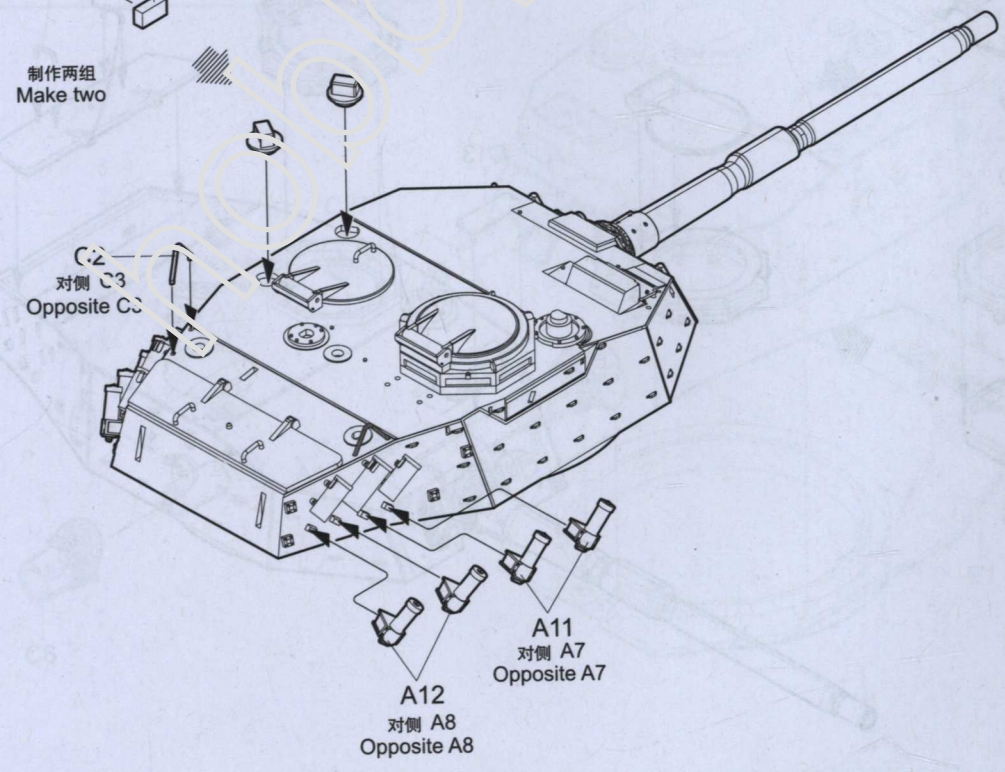
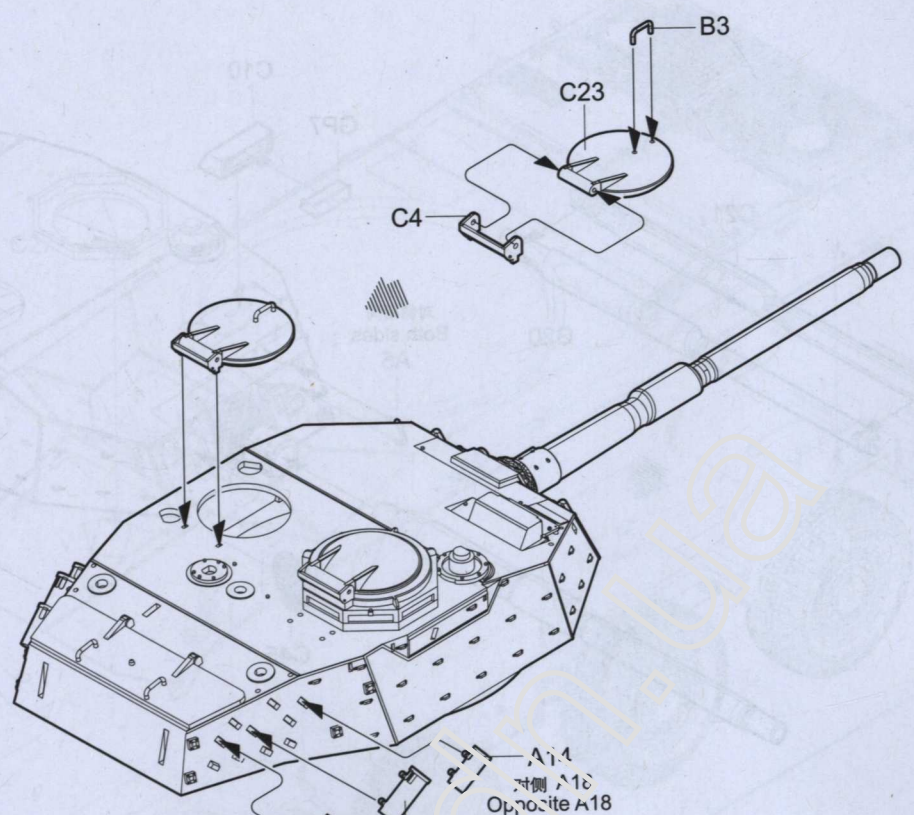




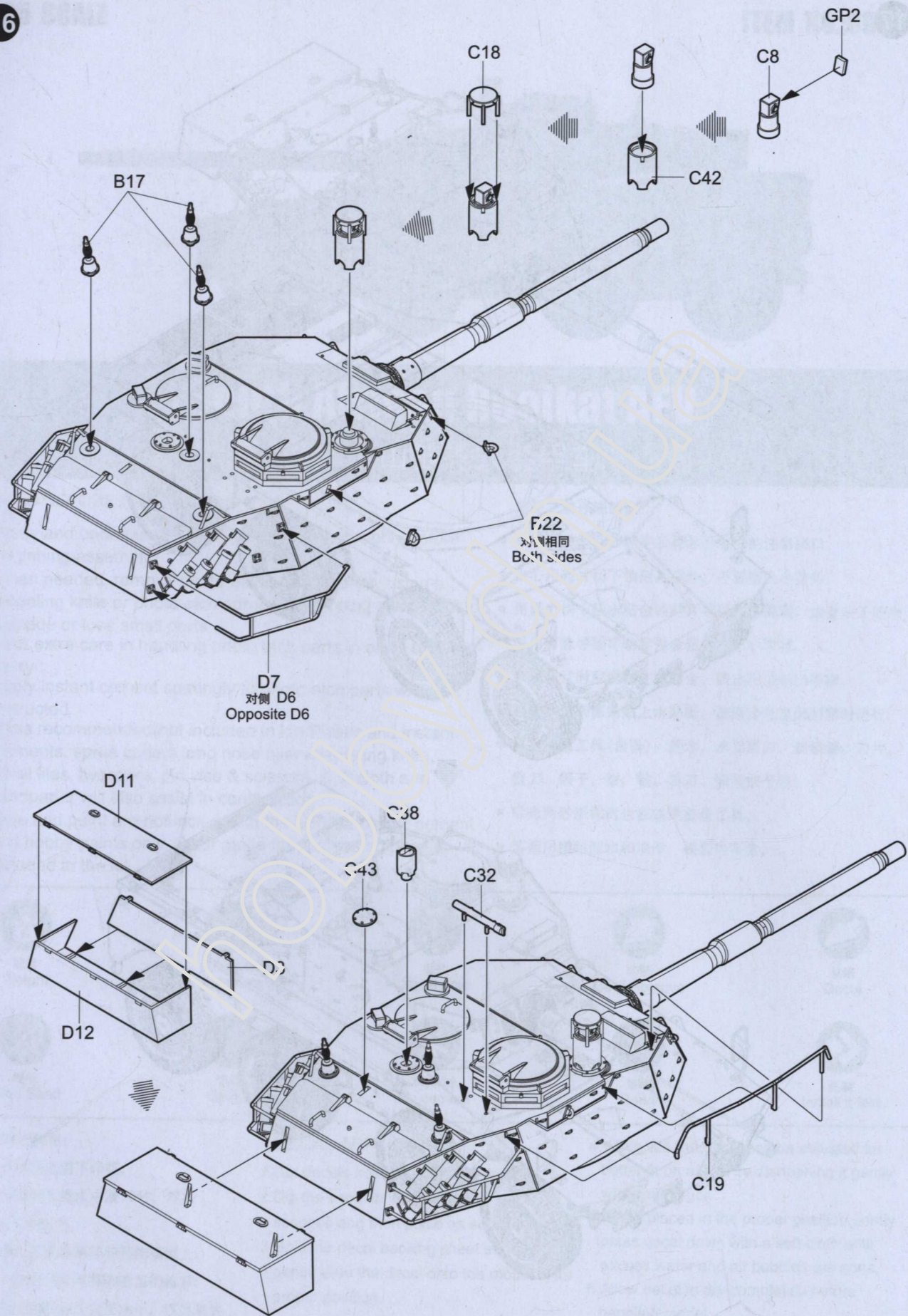
14



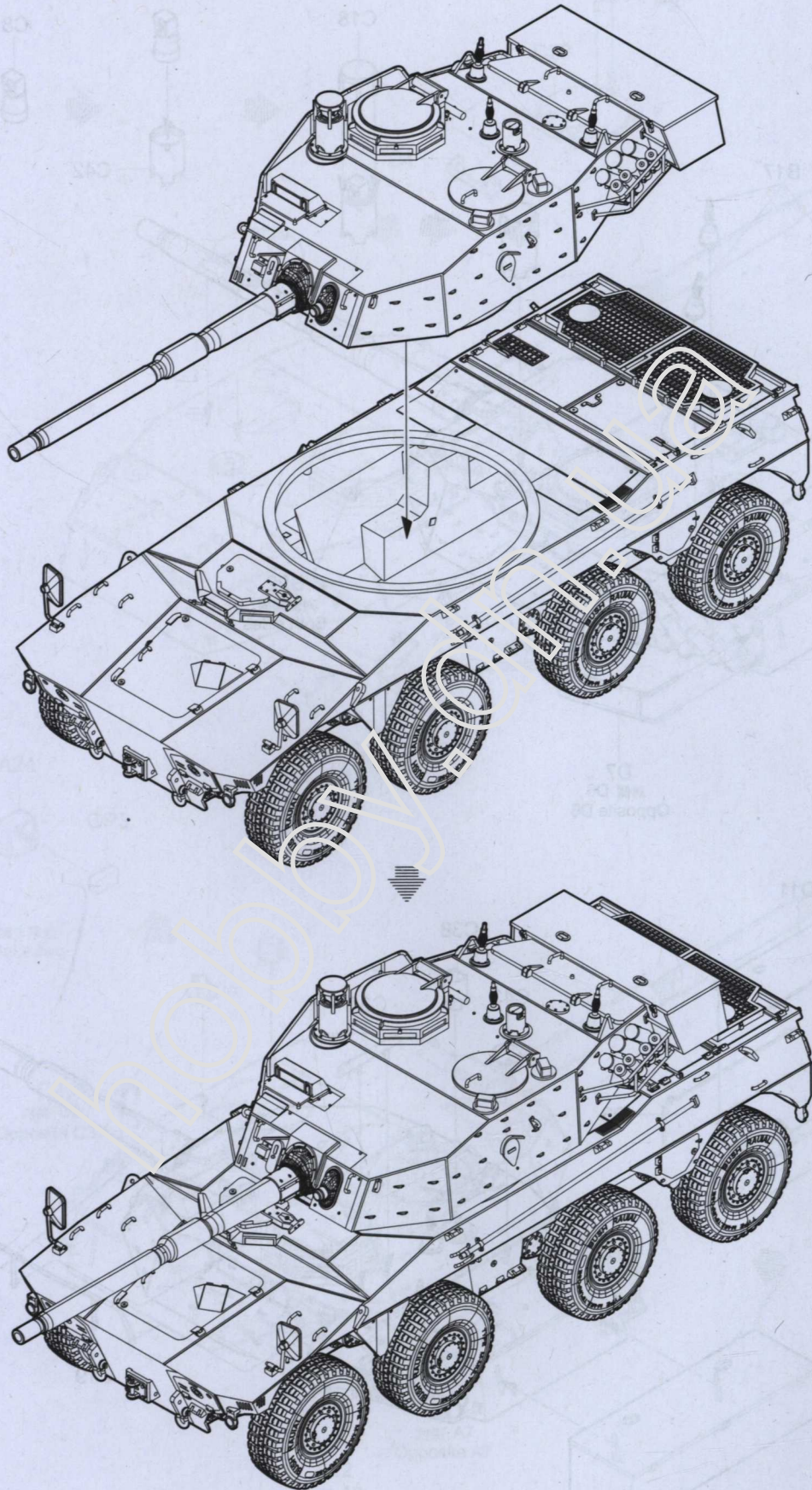
15



16



17



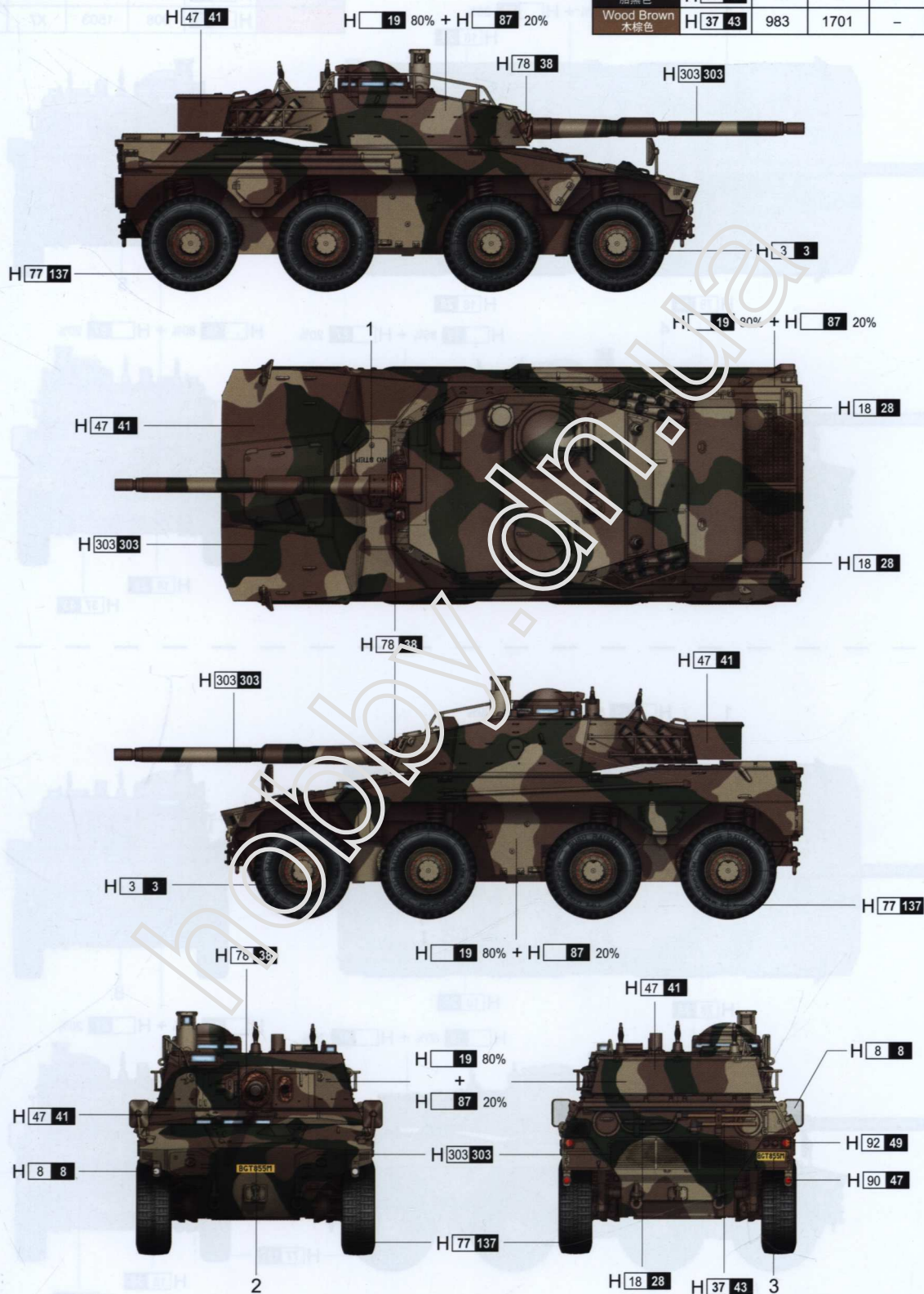
# 涂装同标贴指示

## Painting & Marking guide

### PAINT REFERENCE COLOUR

Color	Mr.Hobby	Vallejo	Model Master	Tamiya	Humbrol
Red Brown 红棕色	H 47 41	934	-	X27	-
Light Green 绿色	H 303 303	-	1713	XF20	117
Sandy Brown 沙褐色	H 19 19	-	-	-	-
浅奶油黄	H 87 87	-	-	-	-
Tire Black 胎黑色	H 77 137	-	-	-	-
Wood Brown 木棕色	H 37 43	983	1701	-	186

**A**



H AQUEOUS HOBBY COLOR    Mr. COLOR

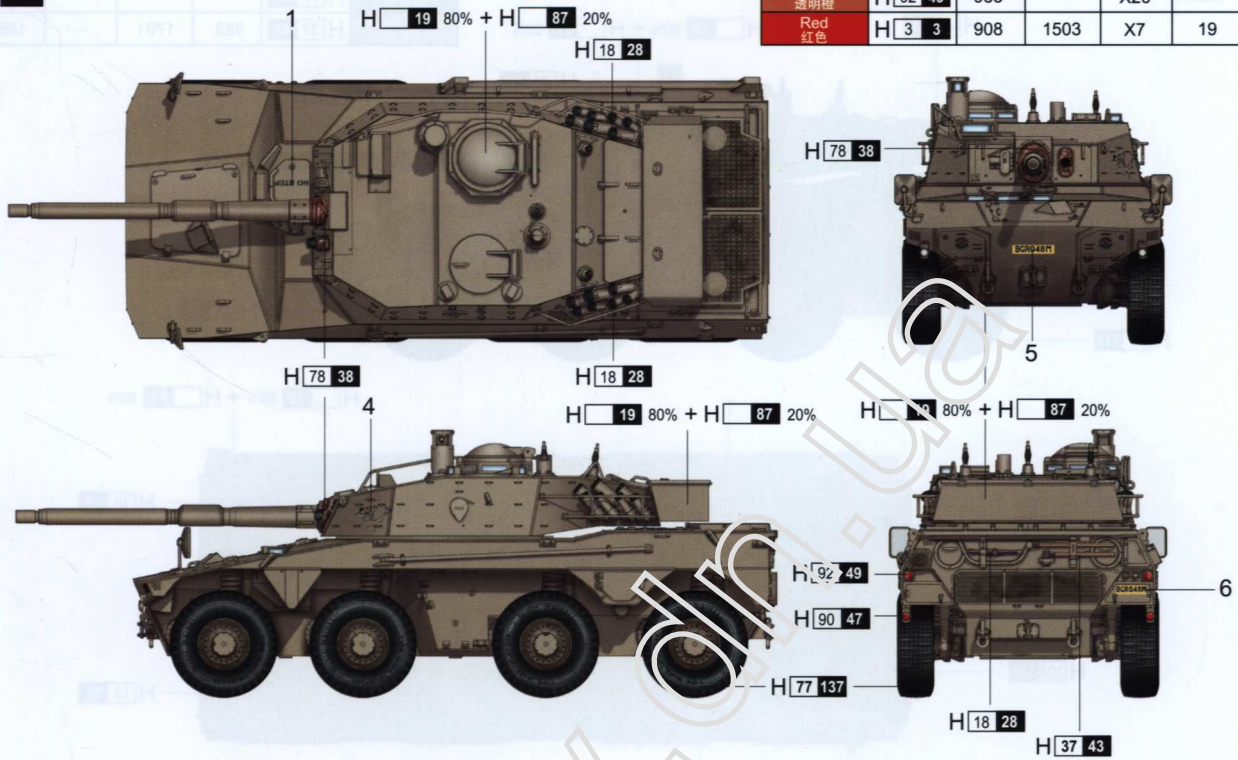
# 涂装同标贴指示

## Painting & Marking guide

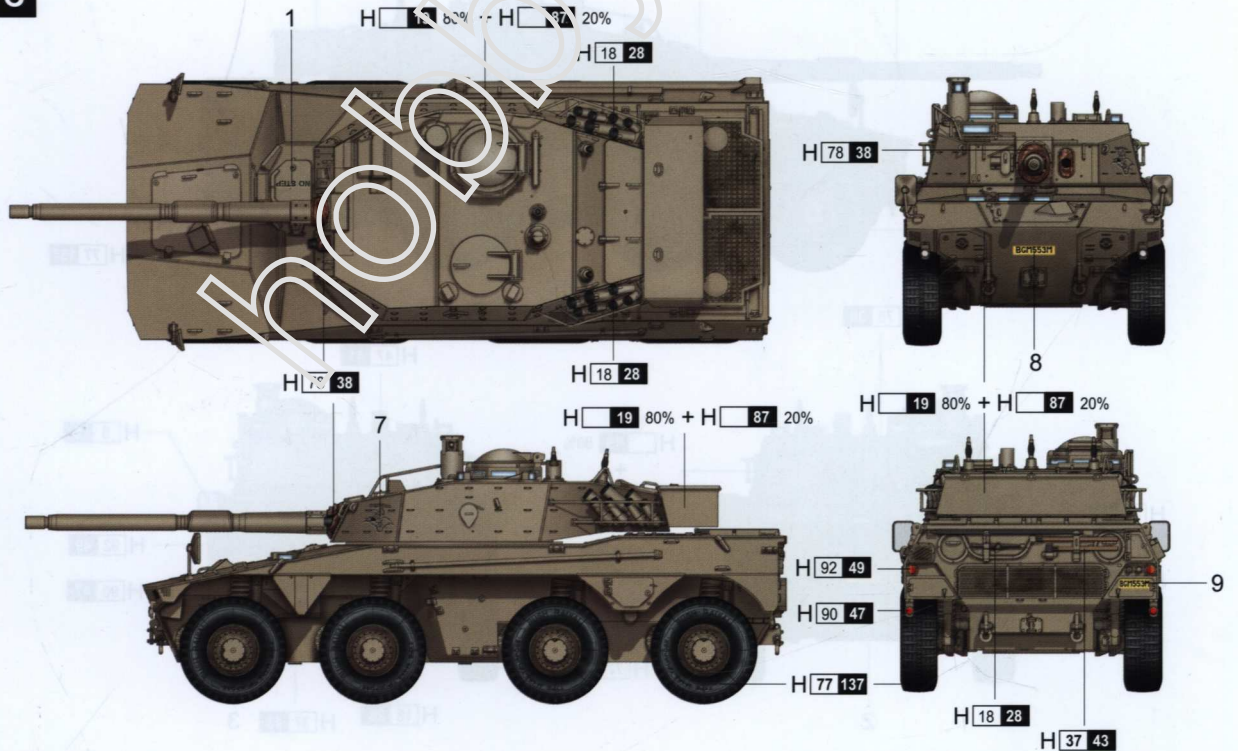
### PAINT REFERENCE COLOUR

Color	Mr.Hobby	Vallejo	Model Master	Tamiya	Humbrol
Steel 黑铁色	H 18 28	864	1402	-	-
Olive Drab(2) 橄榄(2)色	H 78 38	-	-	-	-
Silver 银色	H 8 8	997	1546	X11	11
Clear Red 透明红	H 90 47	934	-	X27	-
Clear Orange 透明橙	H 92 49	935	-	X26	-
Red 红色	H 3 3	908	1503	X7	19

**B**



**C**



H  AQUEOUS HOBBY COLOR     Mr. COLOR